

# OPERATION AND PARTS MANUAL



**WC-62S**

**WC-62P**

## **WHITEMAN SERIES CONCRETE MIXERS**

**FINAL REVISION**

Revision #7 (06/30/05)

© COPYRIGHT 2004, MULTIQUIP INC.



**MULTIQUIP INC.**

18910 WILMINGTON AVE.  
CARSON, CALIFORNIA 90746  
310-537-3700  
800-421-1244  
FAX: 310-537-3927

**PARTS DEPARTMENT:**

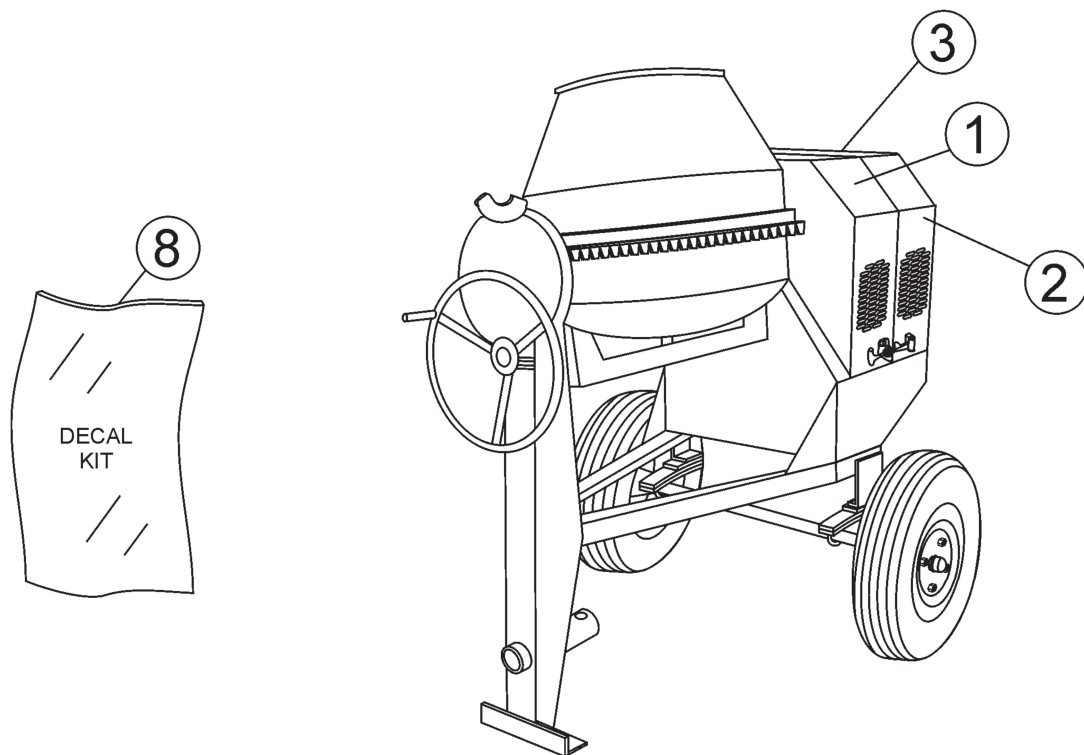
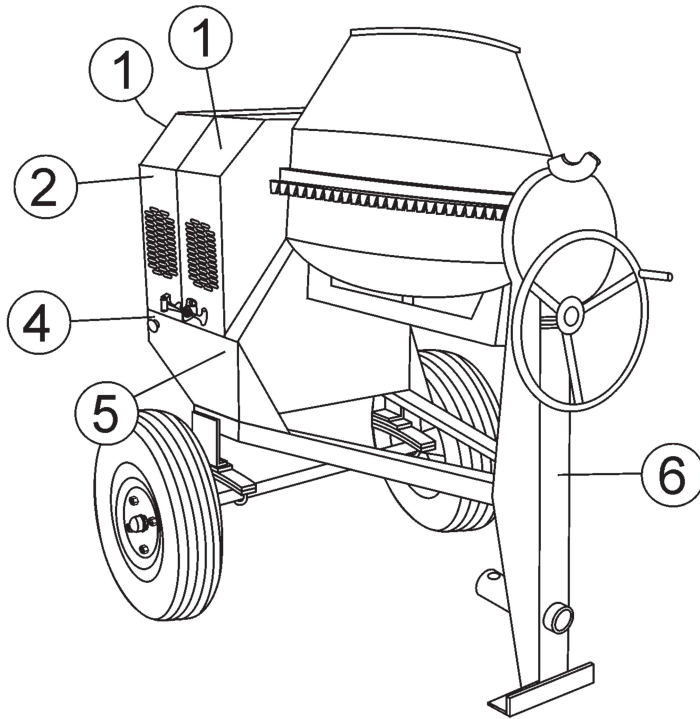
800-427-1244  
FAX: 800-672-7877  
**SERVICE DEPARTMENT/TECHNICAL ASSISTANCE:**  
800-478-1244  
FAX: 310-631-5032

**E-mail: [mq@multiquip.com](mailto:mq@multiquip.com) • [www.multiquip.com](http://www.multiquip.com)**

Atlanta • Boise • Dallas • Houston • Newark  
Montreal, Canada • Manchester, UK  
Rio De Janeiro, Brazil • Guadalajara, Mexico

# WC-62P/S CONCRETE MIXER — NAME PLATE AND DECALS

## NAME PLATE AND DECALS



# WC-62P/S CONCRETE MIXER— NAME PLATE AND DECALS

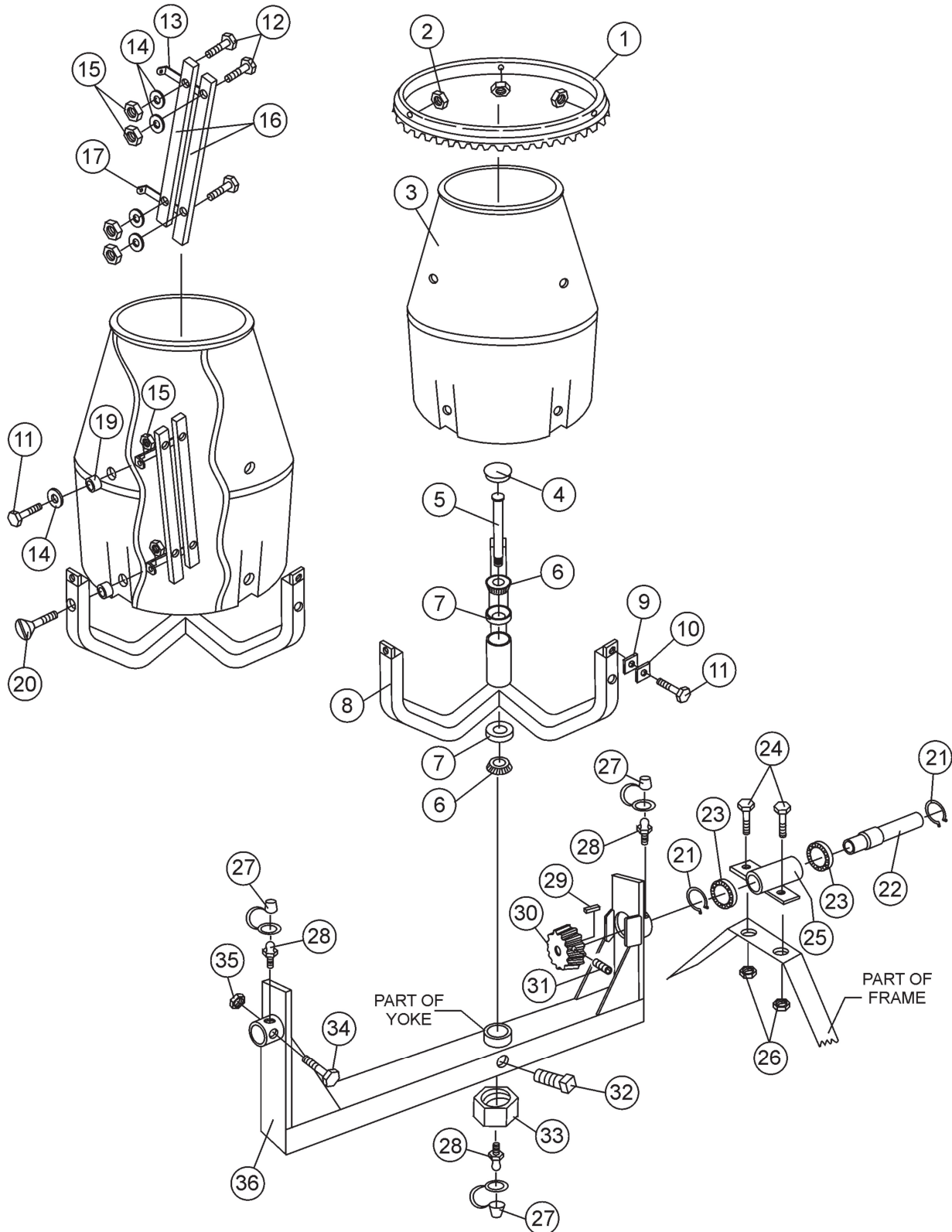
## NAME PLATE AND DECALS

<u>NO</u>	<u>PART NO</u>	<u>PART NAME</u>	<u>QTY.</u>	<u>REMARKS</u>
1*	18252	MQ WHITEMAN LOGO	3	
2*	CIPDCL160	DECAL, CRUSH WARNING	2	
3*	504713	DECAL, SAFETY INSTRUCTIONS	1	
4*	EM948630	DECAL, EMERGENCY STOP	1	
5*	DCL151	DECAL, TOWING INSTRUCTIONS	1	
6*	13118	DECAL, POWDER COATED	1	
7		NAMEPLATE.....	1	..... CONTACT MQ PARTS DEPT.
8	WMDCL6292	DECAL KIT .....	1	..... INCLUDES ITEMS W/*

SEE DECAL ILLUSTRATIONS ON PAGE 11

# WC-62P/S — PLASTIC BARREL

## PLASTIC BARREL ASSY.



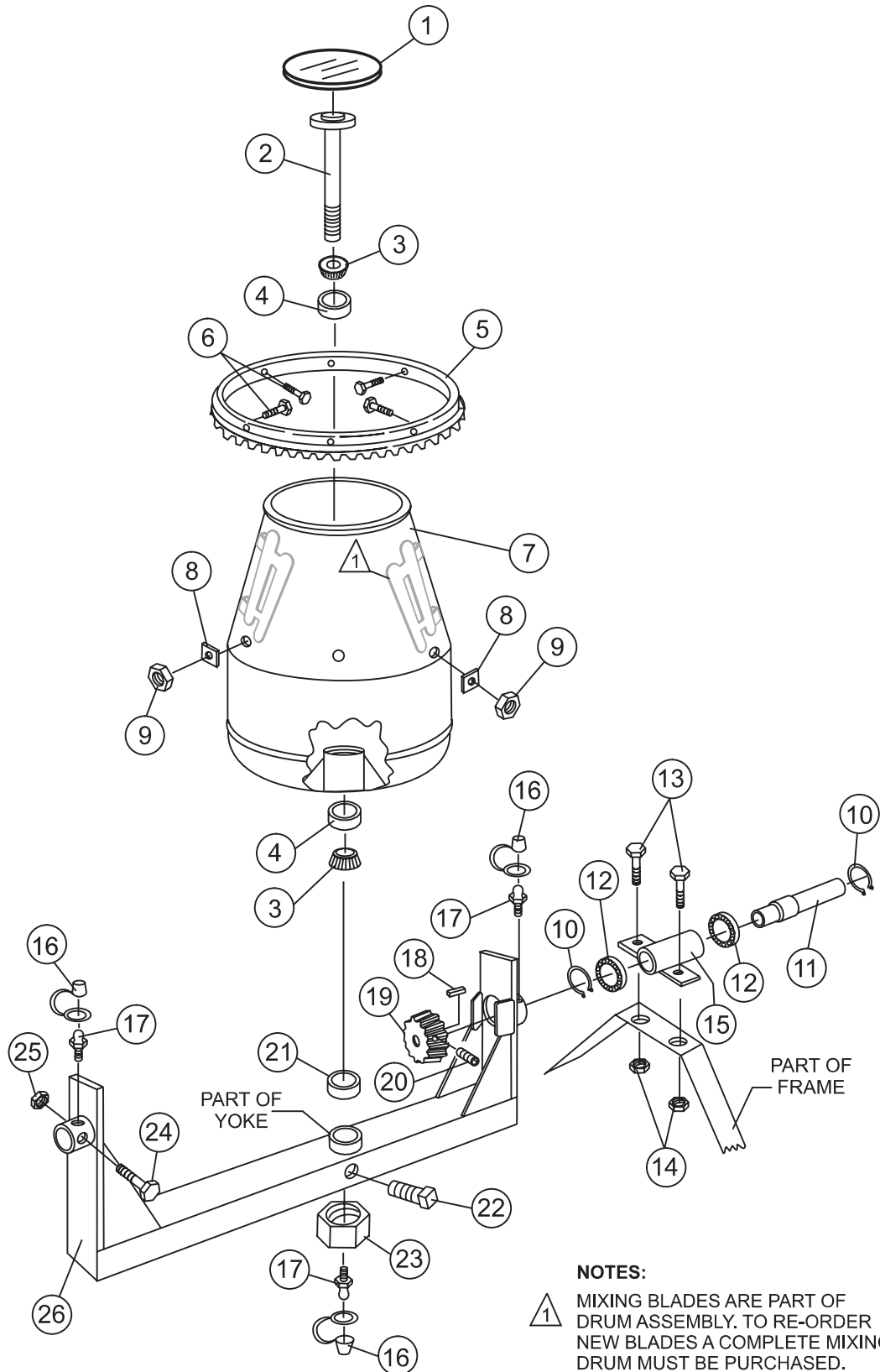
# WC-62P/S — PLASTIC BARREL

## PLASTIC BARREL ASSY.

<u>NO</u>	<u>PART NO</u>	<u>PART NAME</u>	<u>QTY.</u>	<u>REMARK</u>
1	510992	RING GEAR	1	
2	EM969013	NUT, LOCK 3/8" NC	3	
3	507532	BARREL, PLASTIC 6 CU. FT.	1	
4	505390	PLUG, EXPANSION	1	
5	505469	KING PIN	1	
6	EM903063	SPINDLE BEARING 5/8" CONE .....	2 .....	REPLACES 492154
7	EM903026	SPINDLE BEARING CUP .....	2 .....	REPLACES 492233
8	EM507533	SUPPORT SPIDER	1	
9	511758	SHIM PLASTIC #14	AR	
10	511759	SHIM PLASTIC #16	AR	
11	EM963610	BOLT 3/8" NC 1-1/4" G5	3	
12	492378	BOLT 3/8" NC 1-3/4" G5	12	
13	507542	SUPPORT BRACKET, UPPER	3	
14	3019092	WASHER, FLAT	15	
15	EM969013	NUT, HEX 3/8" NC	15	
16	507543	BLADES, PLASTIC	6	
17	507541	SUPPORT BRACKET, LOWER	3	
19	507538	SPACER MC8079	3	
20	508345	CS BOLT, 3/8" NC X 3-1/2" G	3	
21	490958	RING, RETENTION	2	
22	502037	DRIVE PINION SHAFT	1	
23	492179	PINION SHAFT BEARING	2	
24	EM963692	BOLT 1/2" NC X 1-1/2" G5	2	
25	502036	HOUSING, JACKSHAFT	1	
26	492584	LOCKNUT, HEX 1/2" NC	2	
27	491008	CAP, GREASE FITTING	3	
28	EM916001	GREASE FITTING 1/8" NPT .....	3 .....	REPLACES 491698
29	500246	SQUARE KEY	1	
30	501829	DRIVE PINION	1	
31	492467	ALLEN SCREW 5/16 NC 3/8"	1	
32	492490	SET SCREW 1/2" X 1" NC	1	
33	07037-024	NUT, HEX LOWER 1-1/2" NF .....	1 .....	REPLACES 492579
34	EM963102	BOLT 1/2" NC X 1-1/4" NC	1	
35	492584	LOCKNUT, HEX 1/2" NC	1	
36	507539	YOKE	1	

# WC-62P/S — STEEL BARREL

## STEEL BARREL ASSY.

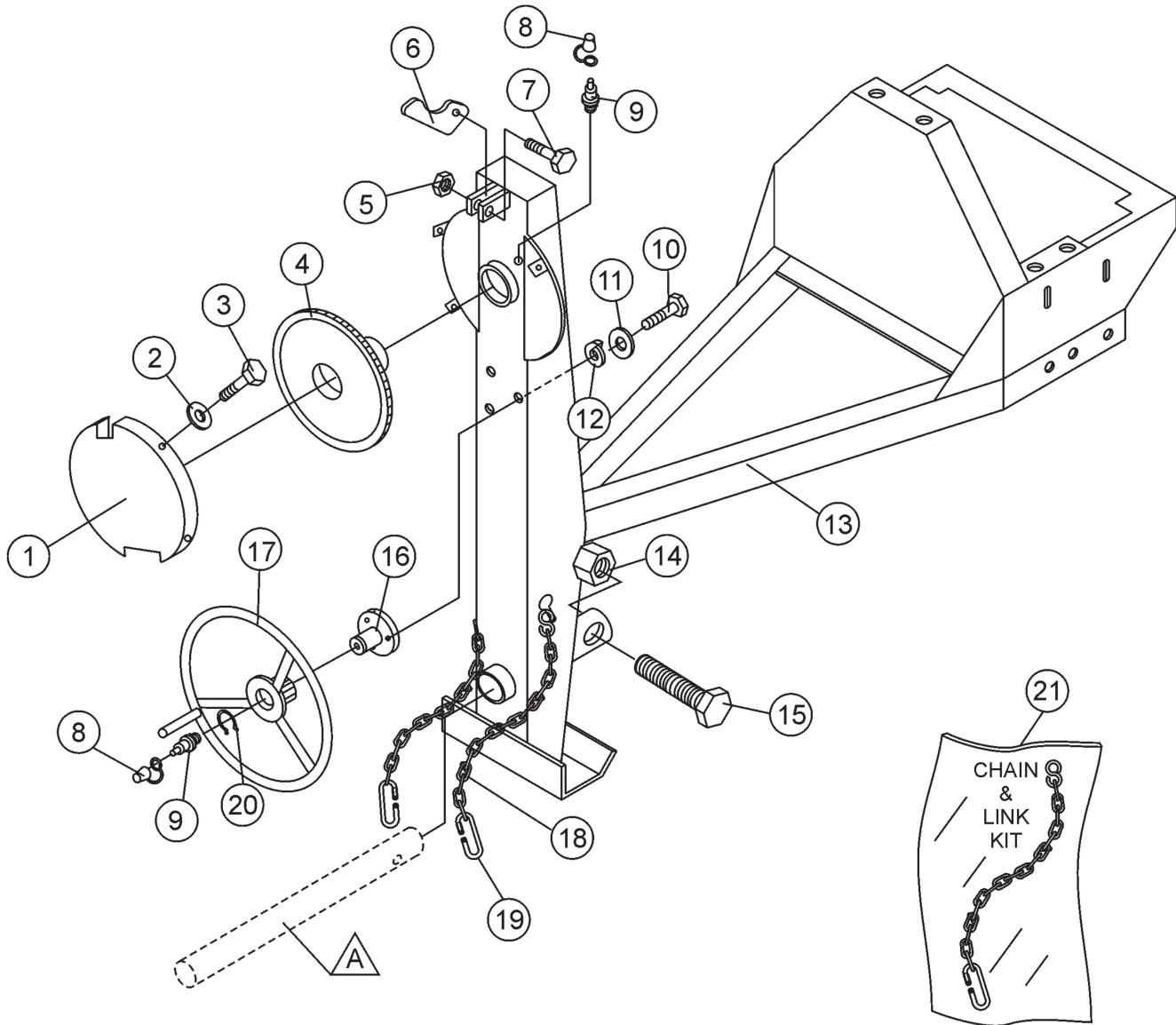


STEEL BARREL ASSY.

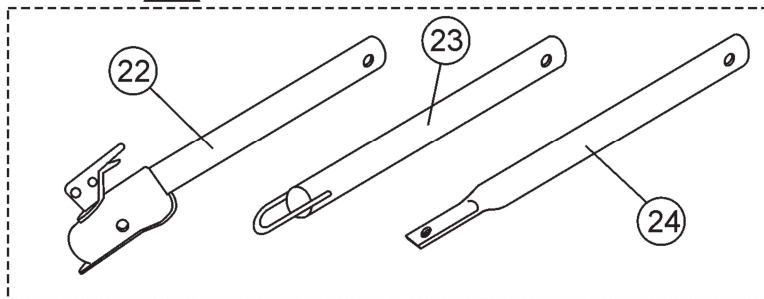
<u>NO</u>	<u>PART NO</u>	<u>PART NAME</u>	<u>QTY.</u>	<u>REMARK</u>
1	505390	PLUG, EXPANSION	1	
2	505469	KING PIN	1	
3	EM903063	SPINDLE BEARING 5/8" CONE .....	2 .....	REPLACES 492154
4	EM903026	SPINDLE BEARING CUP .....	2 .....	REPLACES 492233
5	504095	RING GEAR	1	
6	EM963610	BOLT 3/8" NC 1-1/4" G5	6	
7	505487	BARREL, STEEL 6 CU. FT.	1	
8	511732	SHIM 0.25 THICK	AR	
8	511731	SHIM .187 THICK	AR	
8	511729	SHIM .140 THICK	AR	
9	EM969013	NUT, LOCK 3/8" NC	6	
10	490958	RING, RETENTION	2	
11	502037	DRIVE PINION SHAFT	1	
12	492179	PINION SHAFT BEARING	2	
13	EM963692	BOLT 1/2" NC X 1-1/2" G5	2	
14	492584	LOCKNUT, HEX 1/2" NC	2	
15	502036	HOUSING JACKSHAFT	1	
16	491008	CAP, GREASE FITTING	3	
17	EM916001	GREASE FITTING 1/8" NPT .....	3.....	REPLACES 491698
18	500214	SQUARE KEY 1/4" X 30 MM	1	
19	501829	DRIVE PINION	1	
20	492467	ALLEN SCREW 5/16 NC 3/8"	1	
21	EM505472	SPACER, BARREL	1	
22	492490	SET SCREW 1/2" X 1" NC	1	
23	EM968306	NUT, HEX LOWER 1-1/2" NF .....	1 .....	REPLACES 492579
24	EM963102	BOLT 1/2" NC X 1-1/4" NC	1	
25	492584	LOCKNUT, HEX 1/2" NC	1	
26	507539	YOKE	1	

# WC-62P/S — MAIN FRAME ASSEMBLY

MAIN FRAME ASSY.



## **A** OPTIONAL TOW BARS



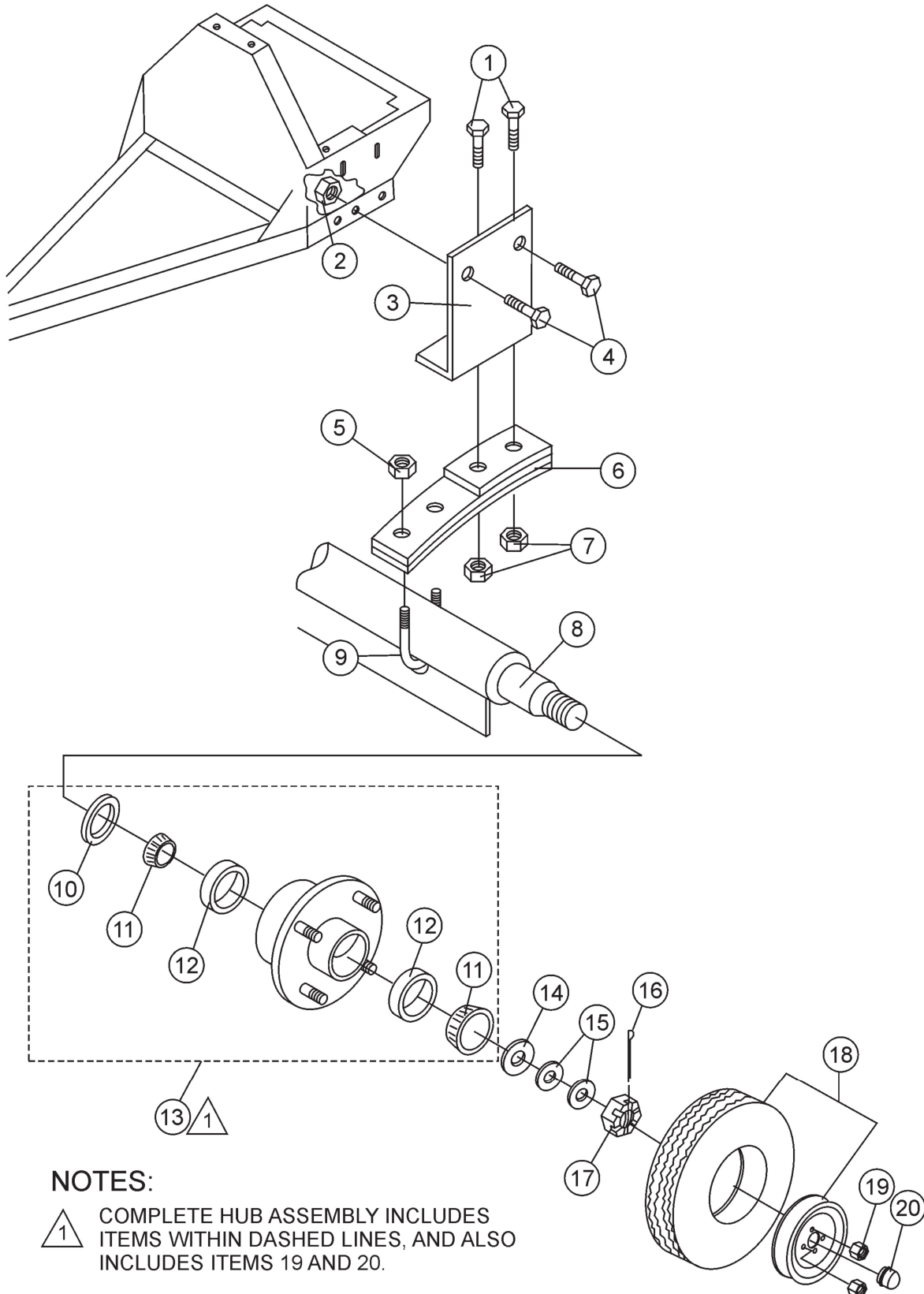
# WC-62P/S — MAIN FRAME ASSEMBLY

## MAIN FRAME ASSY.

<u>NO</u>	<u>PART NO</u>	<u>PART NAME</u>	<u>QTY.</u>	<u>REMARK</u>
1	501844	GUARD, GEAR WHEEL	1	
2	2101402	WASHER, LOCK 1/4"	4	
3	492284	ROUND HEAD BOLT 1/4" NC 3/8 G2" .....	4.....	REPLACES 492279
4	502035	DUMP GEAR	1	
5	492584	NUT, LOCK 1/2" NC	1	
6	490895	DUMP LATCH	1	
7	492395	BOLT 1/2" NC X 1-3/4" G5	1	
8	EM916001	GREASE FITTING 1/8" NPT .....	2.....	REPLACES 491698
9	491008	GREASE CAP	2	
10	EM963055	BOLT 3/8" NC X 3/4" G5	3	
11	3109092	WASHER, FLAT 3/8"	3	
12	0166 A	WASHER, LOCK 3/8"	3	
13	502451	FRAME	1	
14	EM124	BOLT 1/2"-13 X 4 G5	1	
15	10176	LOCK NUT 1/2 NC .....	1.....	REPLACES 492586
16	500167	HANDWHEEL SHAFT	1	
17	501905	HANDWHEEL	1	
18*		SAFETY CHAIN .....	1.....	REPLACES 13363
19*	01004	CONNECTOR LINK	2	
20	490961	RING RETAINING	1	
21	13363KIT	CHAIN AND LINK KIT .....	1.....	INCLUDES ITEMS W/*
22	HBC-1	BALL HITCH 2-INCH .....	1.....	CONTACT UNIT SALES
23	HLC-1	LOOP HITCH .....	1.....	CONTACT UNIT SALES
24	HPC-1	PIN HITCH 1-INCH .....	1.....	CONTACT UNIT SALES

# WC-62P/S — AXLE ASSEMBLY

AXLE ASSY.



## NOTES:

- 1 COMPLETE HUB ASSEMBLY INCLUDES ITEMS WITHIN DASHED LINES, AND ALSO INCLUDES ITEMS 19 AND 20.

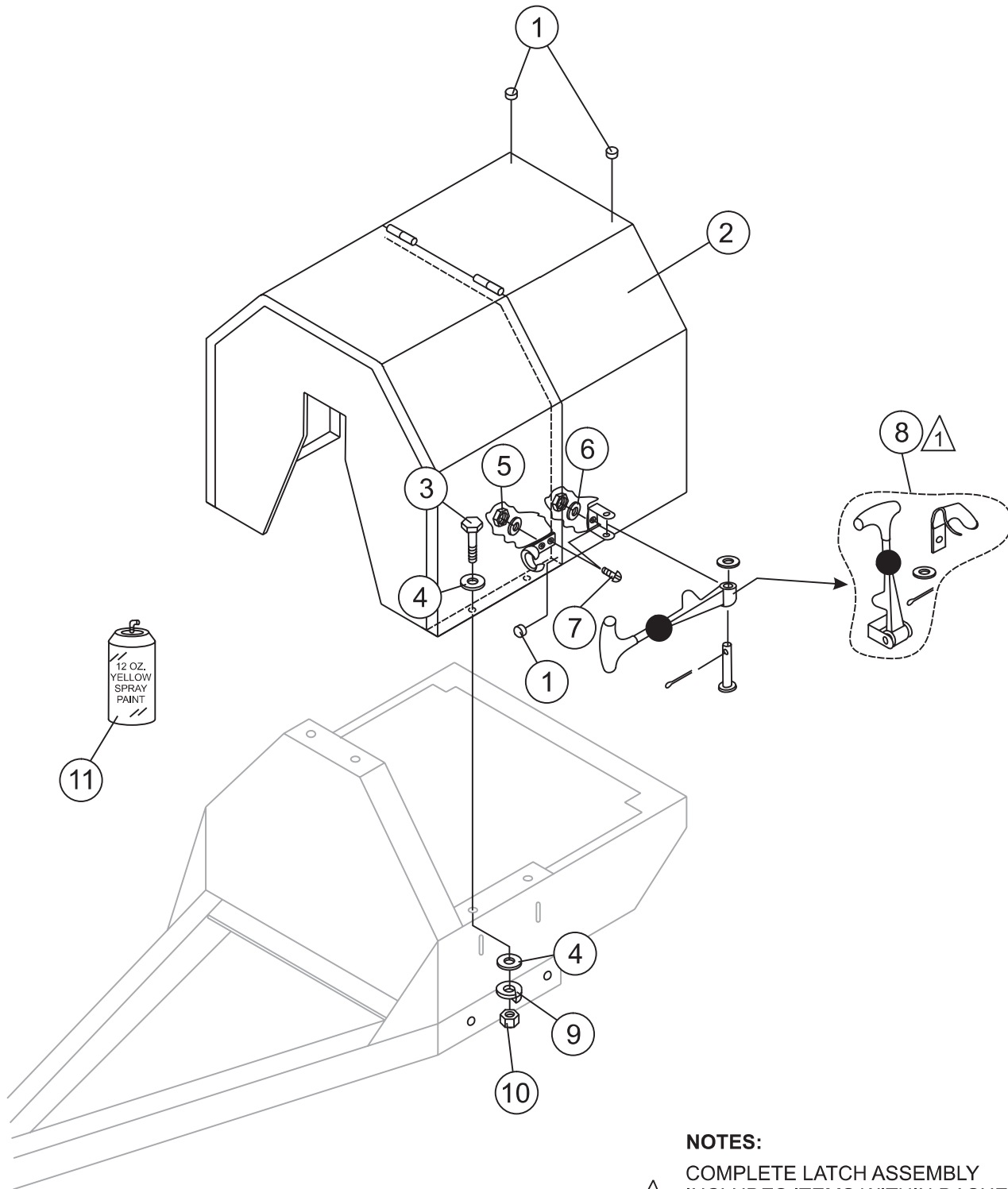
# WC-62P/S — AXLE ASSEMBLY

## AXLE ASSY.

<u>NO</u>	<u>PART NO</u>	<u>PART NAME</u>	<u>QTY.</u>	<u>REMARK</u>
1	492397	BOLT 1/2" NC 1-1/2" G5	4	
2	EM969023	LOCK NUT 5/8" NC	4	
3	501030	SPRING SUPPORT	2	
4	492406	BOLT 5/8" NC 1-1/2" G5	4	
5	492589	NUT 1/2" NF	4	
6	491928	SPRING LEAF	2	
7	492584	NUT, HEX 1/2"	4	
8	511336	AXLE 1-1/16" SPINDLE	1	
8	502039	AXLE 7/8" SPINDLE	1	
9	500617	U-CLAMP	2	
10*#	EM941288	OIL SEAL	2	
11*	EM903049	BEARING CONE, (7/8" SPINDLE)	4	
11#	EM903113	BEARING CONE, (1-1/16" SPINDLE)	4	
12*#	EM903012	BEARING CUP	4	
13	3504	HUB ASSY., 4-BOLT (7/8" SPINDLE) .....	2	INCLUDES ITEMS W/* REPLACES 493235
13	EM941306	HUB ASSY., 4-BOLT (1-1/16" SPINDLE) .....	2	INCLUDES ITEMS W/#
14	EM511159	WASHER, FLAT, .087" THICKNESS	2	
15	501299	WASHER, FLAT, .135" THICKNESS	AR	
16	491688	COTTER PIN 1/8" X 1-1/2'	2	
17	12426	NUT, SLOTTED HEX JAM (7/8" SPINDLE) .....	2	REPLACES 3068
17	8164	NUT, SLOTTED HEX JAM (1-1/16" SPINDLE)	2	
18	3005	TIRE AND RIM, CARLISE	2	
18	493236C	TIRE AND RIM, UNIROYAL	2	
19*#	8115	LUG NUTS	8	
20*#	3469	DUST CAP	2	

# WC-62P/S — CABINET ASSEMBLY

CABINET ASSY.



**NOTES:**



COMPLETE LATCH ASSEMBLY  
INCLUDES ITEMS WITHIN DASHED  
LINES. ITEMS CANNOT BE PURCHASED  
SEPARATELY.

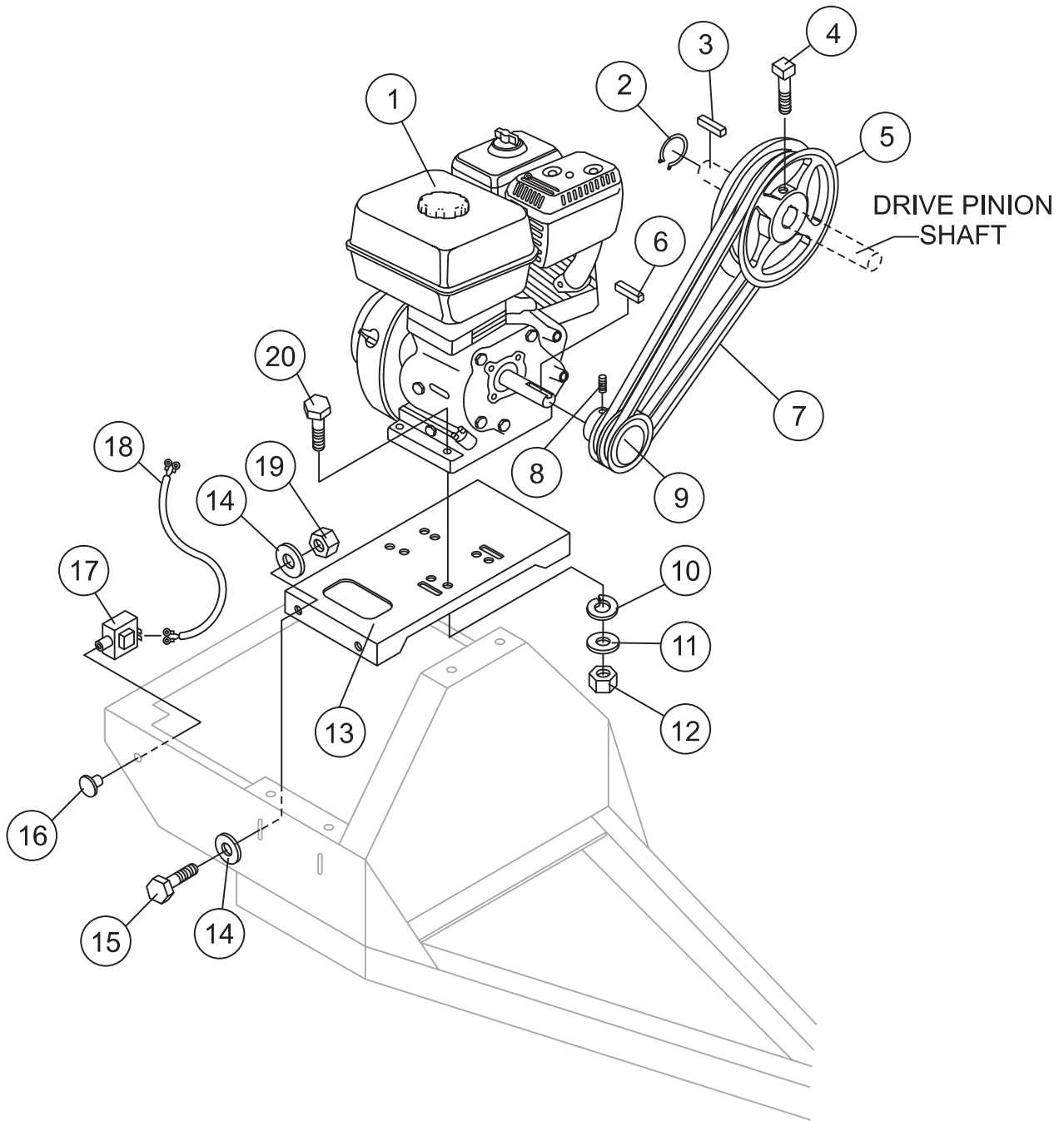
# WC-62P/S — CABINET ASSEMBLY

## CABINET ASSY.

<u>NO</u>	<u>PART NO</u>	<u>PART NAME</u>	<u>QTY.</u>	<u>REMARKS</u>
1	490202	RUBBER PROTECTOR	4	
2	502454	CABINET ENGINE ASSY.	1	
3	492363	BOLT 5/16" NC X 3/4" G5	4	
4	EM923023	WASHER, FLAT 5/16"	8	
5	13287	LOCK NUT 8-32 .....	6	REPLACEMENT PART ONLY
6	2203	WASHER, FLAT #10 .....	6	REPLACEMENT PART ONLY
7	1307	RHMS 8-32 X 1/2" .....	6	REPLACEMENT PART ONLY
8*	491010	LATCH ASSY., COMPLETE	2	
9	EM923343	WASHER, LOCK 5/16"	4	
10	2105164	NUT 5/16" NC G5	4	
11	EM974007	PAINT, SPRAY CAN 12 OZ. TRAFFIC RED	AR	

# WC-62P/S — GAS ENGINE MOUNTING PLATE ASSEMBLY

GAS ENGINE MOUNTING PLATE ASSY.



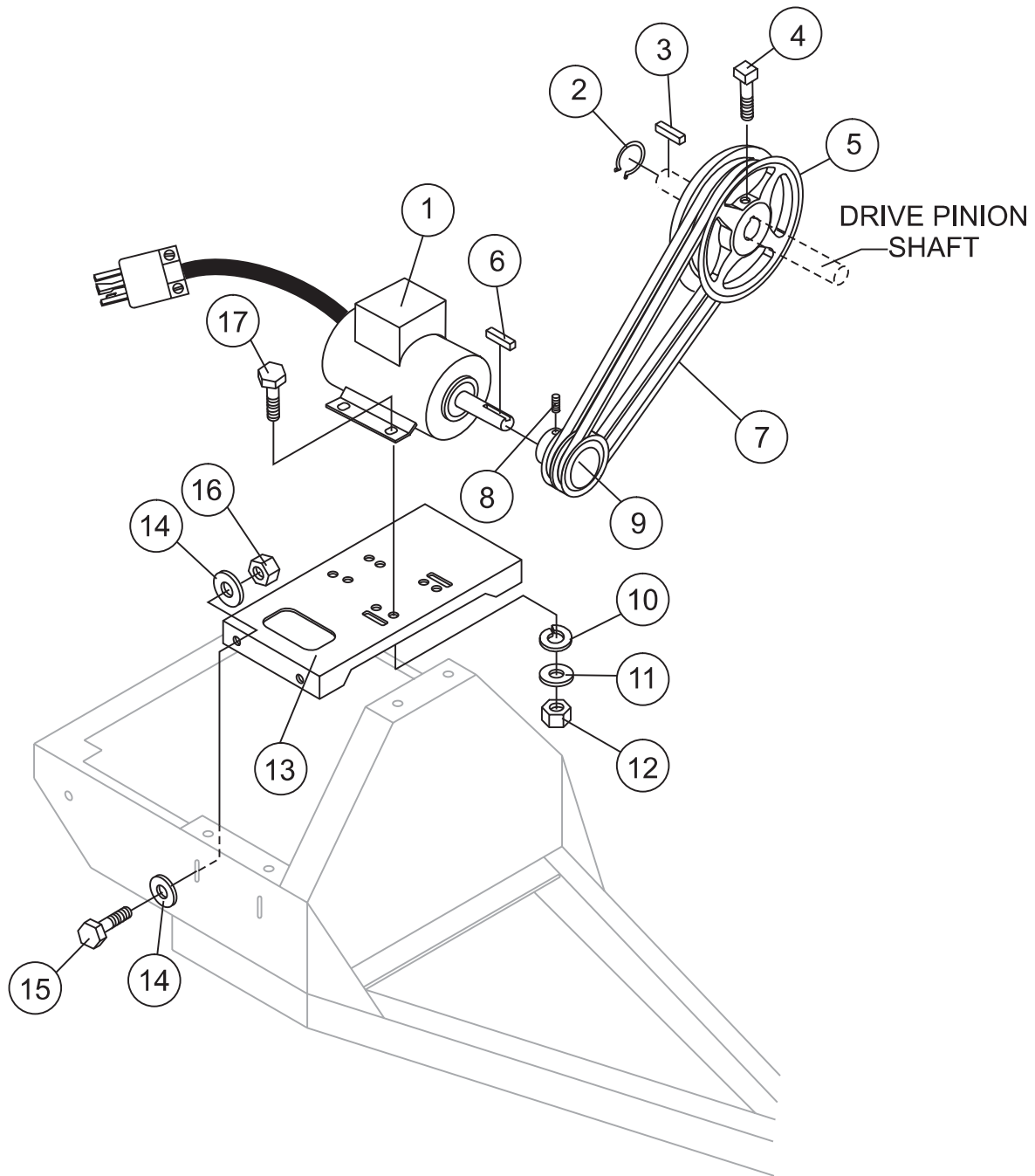
# WC-62P/S — GAS ENGINE MOUNTING PLATE ASSEMBLY

## GAS ENGINE MOUNTING PLATE ASSY.

<u>NO</u>	<u>PART NO</u>	<u>PART NAME</u>	<u>QTY.</u>	<u>REMARKS</u>
1	GX160K1HX2	ENGINE, HONDA 5.5 HP	1	
1	GX240K1HA2	ENGINE, HONDA 8.0 HP	1	
1	EH252YR000	ENGINE, ROBIN 8.5 HP	1	
2	490956	RING, RETAINING	1	
3	500275	SQUARE KEY	1	
4	492468	SET SCREW 5/16" NC X 3/4"	1	
5	492056	UPPER PULLEY	1	
6	501019	SQUARE KEY 3/16" X 45 MM	1	
7	503859	V-BELT A-38	2	
8	492468	ALLEN SCREW 5/16" NC X 1/2"	1	
9	492074	DRIVE PULLEY 5.5 HP HONDA	1	
9	503869	DRIVE PULLEY 8.0 HP HONDA	1	
9	503869	DRIVE PULLEY 8.5 HP ROBIN	1	
10	EM923343	WASHER, LOCK 5/16"	4	
11	EM923023	WASHER, FLAT 5/16"	4	
12	2105164	NUT, HEX 5/16 X18 NC G5	4	
13	502041	BASE PLATE ENGINE	1	
14	492600	WASHER, FLAT 1/2"	8	
15	EM963692	BOLT, HEX 1/2" NC 1-1/2" G5	4	
16	29174-001	BUTTON, STOP	1	
17	EM940734	SWITCH, STOP .....	1	REPLACES 491845
18	510573	ENGINE CABLE HARNESS	1	
19	492584	LOCKNUT 1/2"	4	
20	492367	BOLT 5/16" X 1-3/4" G5	4	

# WC-62P/S — ELECTRIC MOTOR MOUNTING PLATE ASSEMBLY

ELECTRIC MOTOR MOUNTING PLATE ASSY.



## WC-62P/S — ELECTRIC MOTOR MOUNTING PLATE ASSEMBLY

### ELECTRIC MOTOR MOUNTING PLATE ASSY.

<u>NO</u>	<u>PART NO</u>	<u>PART NAME</u>	<u>QTY.</u>	<u>REMARKS</u>
1	P145K17DB45A	MOTOR, ELECTRIC 1.5 HP	1	
2	490956	RING, RETAINING	1	
3	500275	SQUARE KEY	1	
4	492468	SET SCREW 5/16" NC X 3/4"	1	
5	502211	UPPER PULLEY (LARGE)	1	
6	501019	SQUARE KEY 3/16" X 45 MM	1	
7	EM900267	V-BELT A45	2	
8	492468	ALLEN SCREW 5/16" NC X 1/2"	1	
9	502213	DRIVE PULLEY (SMALL)	1	
10	EM923343	WASHER, LOCK 5/16"	4	
11	EM923023	WASHER, FLAT 5/16"	4	
12	2105164	NUT, HEX 5/16 X18 NC G5	4	
13	502041	BASE PLATE ENGINE	1	
14	492600	WASHER, FLAT 1/2"	8	
15	EM963692	BOLT, HEX 1/2" NC 1-1/2" G5	4	
16	4922584	LOCKNUT 1/2"	4	
17	0202	BOLT 5/16" X 1" G5	4	