

**PARTS MANUAL**



*Mikasa* **SERIES**  
**MODEL MVC80VH/VHW**  
**ONE-WAY PLATE COMPACTOR**  
**(HONDA GX160U1SM12 GASOLINE ENGINE)**

Revision #4 (07/13/20)

**THIS MANUAL MUST ACCOMPANY THE EQUIPMENT AT ALL TIMES.**

# TABLE OF CONTENTS

## MVC80VH/VHW Plate Compactor

|  |   |
|--|---|
| Table Of Contents .....                      | 2 |
| Explanation Of Codes In Remarks Column ..... | 4 |
| Suggested Spare Parts .....                  | 5 |

## Component Drawings

|                                    |       |
|------------------------------------|-------|
| Nameplate and Decals .....         | 6-7   |
| Main Body Assembly .....           | 8-9   |
| Vibrator Assembly .....            | 10-11 |
| Water Tank Assembly (Option) ..... | 12-13 |

### NOTICE

*Specification and part number are subject to change without notice.*

## Honda GX160U1SM12 Engine Drawings

|                                       |       |
|---------------------------------------|-------|
| Cylinder Head Assembly .....          | 14-15 |
| Cylinder Barrel Assembly .....        | 16-17 |
| Crankcase Cover Assembly .....        | 18-19 |
| Crankshaft Assembly .....             | 20-21 |
| Piston/Rings Assembly .....           | 22-23 |
| Camshaft Assembly .....               | 24-25 |
| Recoil Starter .....                  | 26-27 |
| Fan Cover Assembly .....              | 28-29 |
| Carburetor Assembly .....             | 30-31 |
| Air Cleaner Assembly .....            | 32-33 |
| Muffler Assembly .....                | 34-35 |
| Fuel Tank Assembly .....              | 36-37 |
| Cooling Fan & Flywheel Assembly ..... | 38-39 |
| Ignition Coil Assembly .....          | 40-41 |
| Control Assembly .....                | 42-43 |
| Labels .....                          | 44-45 |

# EXPLANATION OF CODES IN REMARKS COLUMN

The following section explains the different symbols and remarks used in the Parts section of this manual. Use the help numbers found on the back page of the manual if there are any questions.

## NOTICE

The contents and part numbers listed in the parts section are subject to change **without notice**. Multiquip does not guarantee the availability of the parts listed.

## SAMPLE PARTS LIST

| NO. | PART NO. | PART NAME           | QTY. | REMARKS             |
|-----|----------|---------------------|------|---------------------|
| 1   | 12345    | BOLT.....           | 1    | INCLUDES ITEMS W/%  |
| 2%  |          | WASHER, 1/4 IN..... |      | NOT SOLD SEPARATELY |
| 2%  | 12347    | WASHER, 3/8 IN....  | 1    | MQ-45T ONLY         |
| 3   | 12348    | HOSE .....          |      | A/R ...MAKE LOCALLY |
| 4   | 12349    | BEARING .....       | 1    | S/N 2345B AND ABOVE |

## NO. Column

**Unique Symbols** — All items with same unique symbol

(@, #, +, %, or >) in the number column belong to the same assembly or kit, which is indicated by a note in the “Remarks” column.

**Duplicate Item Numbers** — Duplicate numbers indicate multiple part numbers, which are in effect for the same general item, such as different size saw blade guards in use or a part that has been updated on newer versions of the same machine.

## NOTICE

When ordering a part that has more than one item number listed, check the remarks column for help in determining the proper part to order.

## PART NO. Column

**Numbers Used** — Part numbers can be indicated by a number, a blank entry, or TBD.

TBD (To Be Determined) is generally used to show a part that has not been assigned a formal part number at the time of publication.

A blank entry generally indicates that the item is not sold separately or is not sold by Multiquip. Other entries will be clarified in the “Remarks” Column.

## QTY. Column

**Numbers Used** — Item quantity can be indicated by a number, a blank entry, or A/R.

A/R (As Required) is generally used for hoses or other parts that are sold in bulk and cut to length.

A blank entry generally indicates that the item is not sold separately. Other entries will be clarified in the “Remarks” Column.

## REMARKS Column

Some of the most common notes found in the “Remarks” Column are listed below. Other additional notes needed to describe the item can also be shown.

**Assembly/Kit** — All items on the parts list with the same unique symbol will be included when this item is purchased.

Indicated by:

“INCLUDES ITEMS W/(unique symbol)”

**Serial Number Break** — Used to list an effective serial number range where a particular part is used.

Indicated by:

“S/N XXXXX AND BELOW”

“S/N XXXX AND ABOVE”

“S/N XXXX TO S/N XXX”

**Specific Model Number Use** — Indicates that the part is used only with the specific model number or model number variant listed. It can also be used to show a part is NOT used on a specific model or model number variant.

Indicated by:

“XXXXX ONLY”

“NOT USED ON XXXX”

**“Make/Obtain Locally”** — Indicates that the part can be purchased at any hardware shop or made out of available items. Examples include battery cables, shims, and certain washers and nuts.

**“Not Sold Separately”** — Indicates that an item cannot be purchased as a separate item and is either part of an assembly/kit that can be purchased, or is not available for sale through Multiquip.

## SUGGESTED SPARE PARTS

---

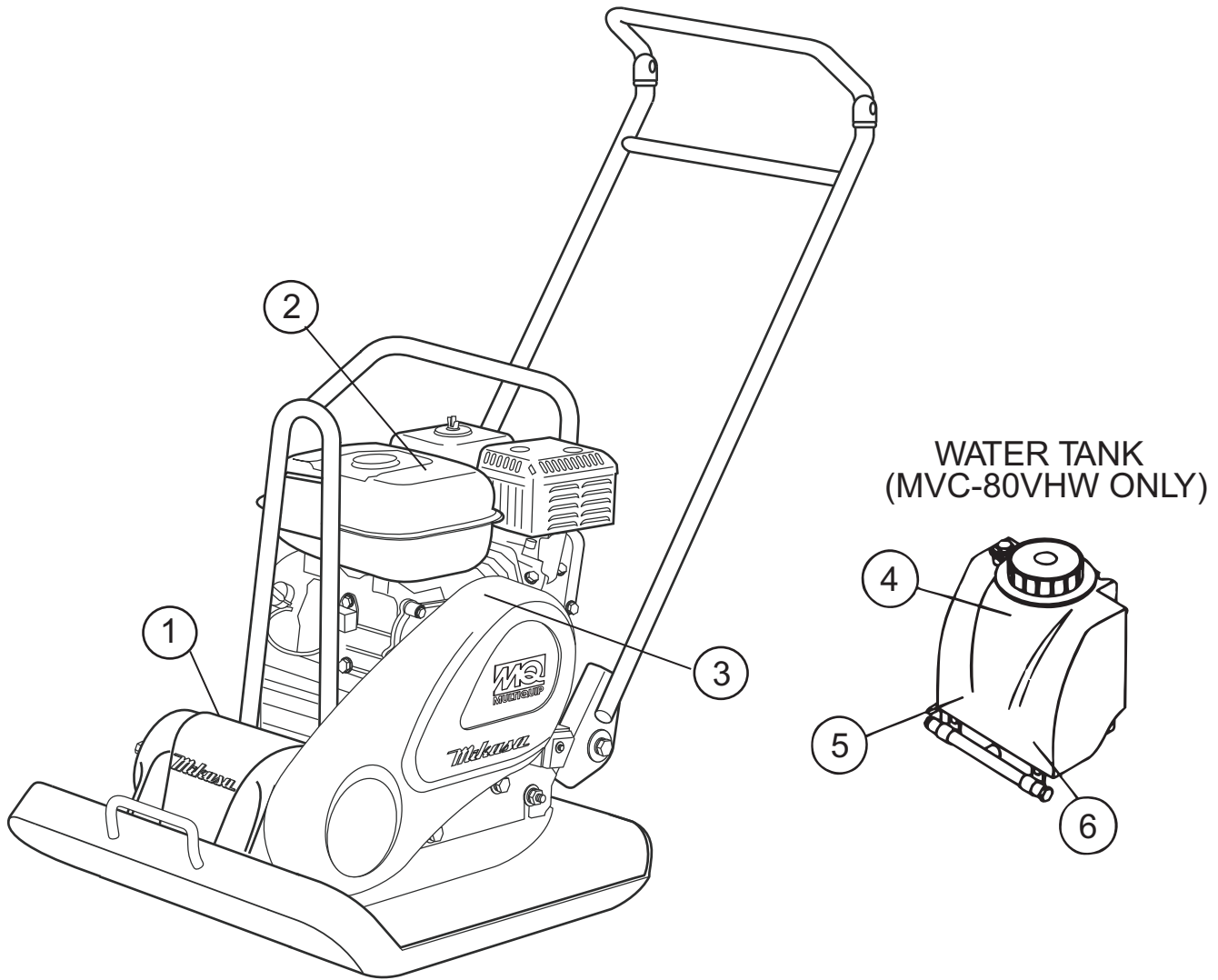
### MVC80VH/VHW COMPACTOR WITH HONDA GX160U1SM12 ENGINE

#### *1 to 5 Units*

| <u>Qty.</u> | <u>P/N</u>        | <u>Description</u>     |
|-------------|-------------------|------------------------|
| 3 .....     | 070100312 .....   | V-BELT                 |
| 4 .....     | 939010254 .....   | SHOCK ABSORBER         |
| 3 .....     | 9807956846 .....  | SPARK PLUG             |
| 1 .....     | 28462ZH8003 ..... | ROPE, RECOIL STARTER   |
| 3 .....     | 17210ZE1517 ..... | ELEMENT, AIR CLEANER   |
| 1 .....     | 17620Z4H000 ..... | CAP, FUEL TANK         |
| 1 .....     | 17672ZE2W01 ..... | FUEL FILTER, FUEL TANK |

# NAMEPLATE AND DECALS

---



## NAMEPLATE AND DECALS

---

| <u>NO</u> | <u>PART NO</u> | <u>PART NAME</u>                  | <u>QTY.</u> | <u>REMARKS</u>         |
|-----------|----------------|-----------------------------------|-------------|------------------------|
| 1         |                | NAMEPLATE, SERIAL NO. ....        | 1 .....     | CONTACT MQ PARTS DEPT. |
| 2         | 920203290      | DECAL, READ OWNERS MANUAL .....   | 1 .....     | NPA-329                |
| 3         | 920203989      | DECAL, BELT GUARD WARNING .....   | 1 .....     | NPA-989                |
| 4         | 920101410      | DECAL, MIKASA (120 X 60)) .....   | 1 .....     | WATER TANK             |
| 5         | 920201580      | DECAL, MQ LOGO (71 X 55) .....    | 2 .....     | MQ/WATER TANK          |
| 6         | 920105070      | DECAL, MIKASA LOGO (125 MM) ..... | 1 .....     | WATER TANK             |
| 8         | 920201950      | DECAL, MOTOR OIL .....            | 1 .....     | NPA-195                |
| 9         | 920101410      | DECAL, MIKASA LOGO (TRIANGLE) ... | 1 .....     | NPA-141                |



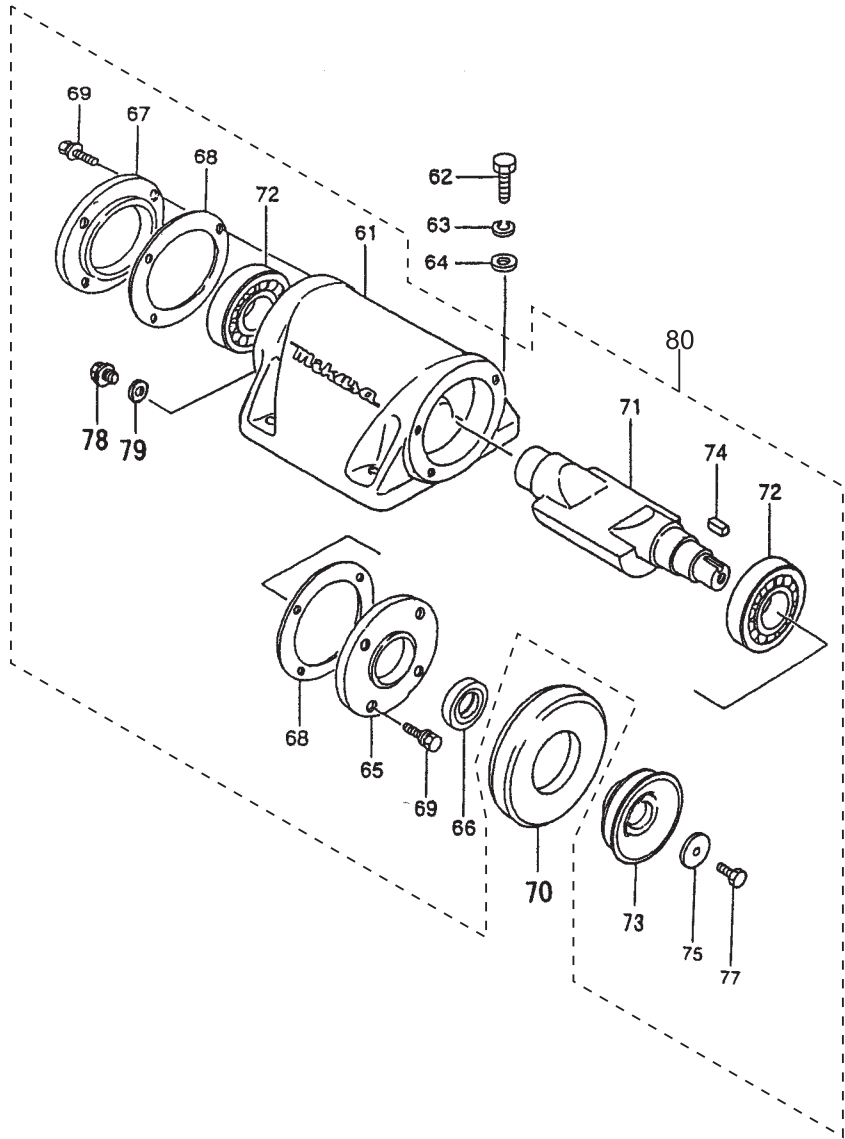
# MAIN BODY ASSY.

## MAIN BODY ASSY.

| <u>NO</u> | <u>PART NO</u> | <u>PART NAME</u>             | <u>QTY.</u> | <u>REMARKS</u>      |
|-----------|----------------|------------------------------|-------------|---------------------|
| 1         | 418118530      | VIBRATING PLATE 570X450      | 1           |                     |
| 2         | 418216501      | BASE                         | 1           |                     |
| 3         | 939010254      | SHOCK ABSORBER D45-H41       | 4           |                     |
| 4         | 959404350      | EARTH WIRE                   | 1           |                     |
| 5         | 020310080      | NUT M10                      | 8           |                     |
| 6         | 030210250      | WASHER, LOCK M10             | 8           |                     |
| 7         | 031110160      | WASHER, FLAT M10             | 8           |                     |
| 11        | 912216004      | ENGINE ASSY. GX160U1SM12     | 1           |                     |
| 12        | 418457750      | BOLT, ENGINE                 | 1           |                     |
| 13        | 413436870      | ENGINE NUT, REAR             | 1           |                     |
| 14-1      | 001220840      | BOLT 8X40 T                  | 2           |                     |
| 14-2      | 030208200      | WASHER, LOCK M8              | 2           |                     |
| 14-3      | 031108160      | WASHER, FLAT M8              | 2           |                     |
| 16        | 031108160      | WASHER, FLAT M8              | 2           |                     |
| 17        | 022710809      | NYLON NUT M8                 | 1           |                     |
| 18        | 408421270      | CLUTCH SPACER 20.2X25X9.4    | 1           |                     |
| 19        | 413332920      | CLUTCH ASSY. S-20-A1-124     | 1           |                     |
| 20        | 0053005201     | KEY 5 X 5 X 35               | 1           |                     |
| 21        | 952400130      | WASHER 9304                  | 1           |                     |
| 22-1      | 001220820      | BOLT 8 X 20 T                | 1           |                     |
| 22-2      | 030208200      | WASHER, LOCK M8              | 1           |                     |
| 23        | 070100312      | V-BELT RPF-3310              | 1           |                     |
| 25        | 418216470      | BELT COVER                   | 1           |                     |
| 26-1      | 001221035      | BOLT 10X35 T                 | 1           |                     |
| 26-2      | 030210250      | WASHER, LOCK M10             | 1           |                     |
| 26-3      | 031110160      | WASHER, FLAT M10             | 1           |                     |
| 27        | 418216480      | BELT COVER (INSIDE)          | 1           |                     |
| 28-1      | 001221053      | BOLT 10 X 65 T               | 1           |                     |
| 28-2      | 030210250      | WASHER, LOCK M10             | 1           |                     |
| 28-3      | 031110160      | WASHER, FLAT M10             | 1           |                     |
| 29        | 418343420      | COVER SEAL                   | 1           |                     |
| 31        | 020308060      | NUT M8                       | 2           |                     |
| 32        | 030208200      | WASHER, LOCK M8              | 2           |                     |
| 33        | 031108160      | WASHER, FLAT M8              | 2           |                     |
| 41        | 418910070      | VIB. PROOF HANDLE ASSY ..... | 1           | INCLUDES ITEMS W/ # |
| 45        | 404433430      | RUBBER 20X32X28.5/52H        | 2           |                     |
| 46        | 952403450      | WASHER 11X35X4.5             | 2           |                     |
| 47-1      | 001221020      | BOLT 10X20 T                 | 2           |                     |
| 47-2      | 030210250      | WASHER, LOCK M10             | 2           |                     |
| 49        | 413436720      | RUBBER, HANDLE               | 2           |                     |
| 50        | 001520845      | SOCKET HEAD BOLT 8X45 T      | 2           |                     |
| 51        | 020308060      | NUT M8                       | 2           |                     |
| 52#       | 418217060      | GRIP, HANDLE                 | 1           |                     |
| 53#       | 416459340      | RUBBER, VIB. PROOF HANDLE    | 2           |                     |
| 54#       | 009120407      | BOLT, SUNK HEAD 10X20 T      | 2           |                     |
| 55#       | 416459320      | NUT, VIB. PROOF HANDLE       | 2           |                     |
| 56#       | 418217050      | VIB. PROOF HANDLE            | 1           |                     |

**VIBRATOR ASSY.**

VIBRATOR ASSY.

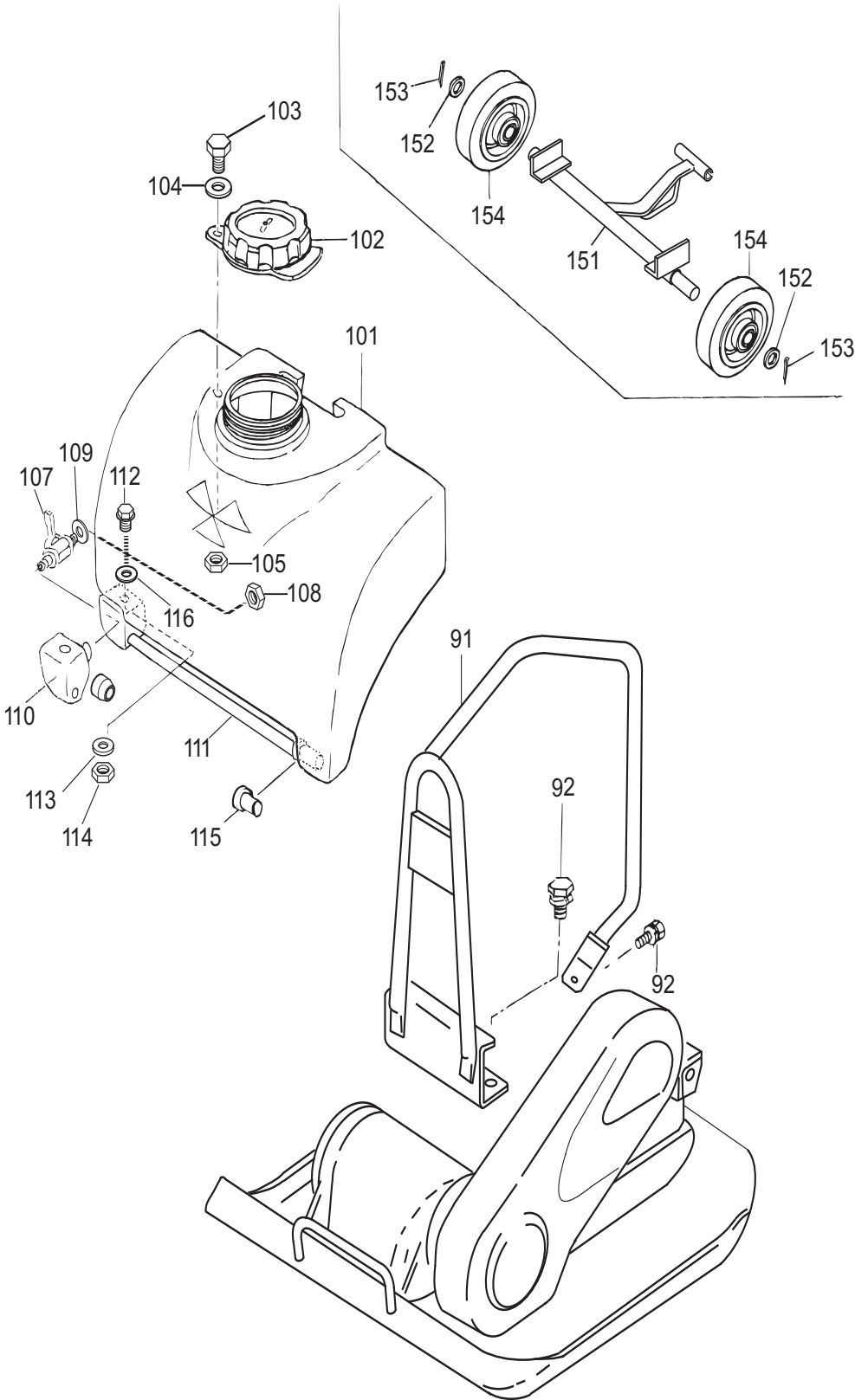


# VIBRATOR ASSY.

## VIBRATOR ASSY.

| <u>NO</u> | <u>PART NO</u> | <u>PART NAME</u>    | <u>QTY.</u> | <u>REMARKS</u>     |
|-----------|----------------|---------------------|-------------|--------------------|
| 61*       | 418117730      | VIBRATING CASE      | 1           |                    |
| 62        | 001221445      | BOLT 14X45 T        | 4           |                    |
| 63        | 030214350      | WASHER, LOCK M14    | 4           |                    |
| 64        | 031114260      | WASHER, FLAT M14    | 4           |                    |
| 65*       | 418456950      | CASE COVER/PULLEY   | 1           |                    |
| 66*       | 060403020      | OIL SEAL TC-30458   | 1           |                    |
| 67*       | 418456960      | CASE COVER/SHUT-OFF | 1           |                    |
| 68*       | 418456970      | PACKING             | 2           |                    |
| 69*       | 002400820      | BOLT 8X20 SW, PW    | 8           |                    |
| 70        | 418456990      | COVER SEAL, VIB.    | 1           |                    |
| 71*       | 418343630      | ECC. ROTOR SHAFT    | 1           |                    |
| 72*       | 040306307      | BEARING 6307C3      | 2           |                    |
| 72*       | 040406307      | BEARING 6307C4      | 2           |                    |
| 73*       | 418456981      | PULLEY, VIBRATOR    | 1           |                    |
| 74*       | 951401920      | KEY 7X7X30          | 1           |                    |
| 75*       | 952403450      | WASHER 11X35X4.5    | 1           |                    |
| 77*       | 002211030      | BOLT 10X30 H, SW    | 1           |                    |
| 78*       | 953400270      | PLUG 1/4X14 10L     | 1           |                    |
| 79*       | 953405260      | PACKING             | 1           |                    |
| 80        | 418910110      | VIBRATOR ASSY ..... | 1           | INCLUDES ITEMS W/* |

# WATER TANK ASSY.

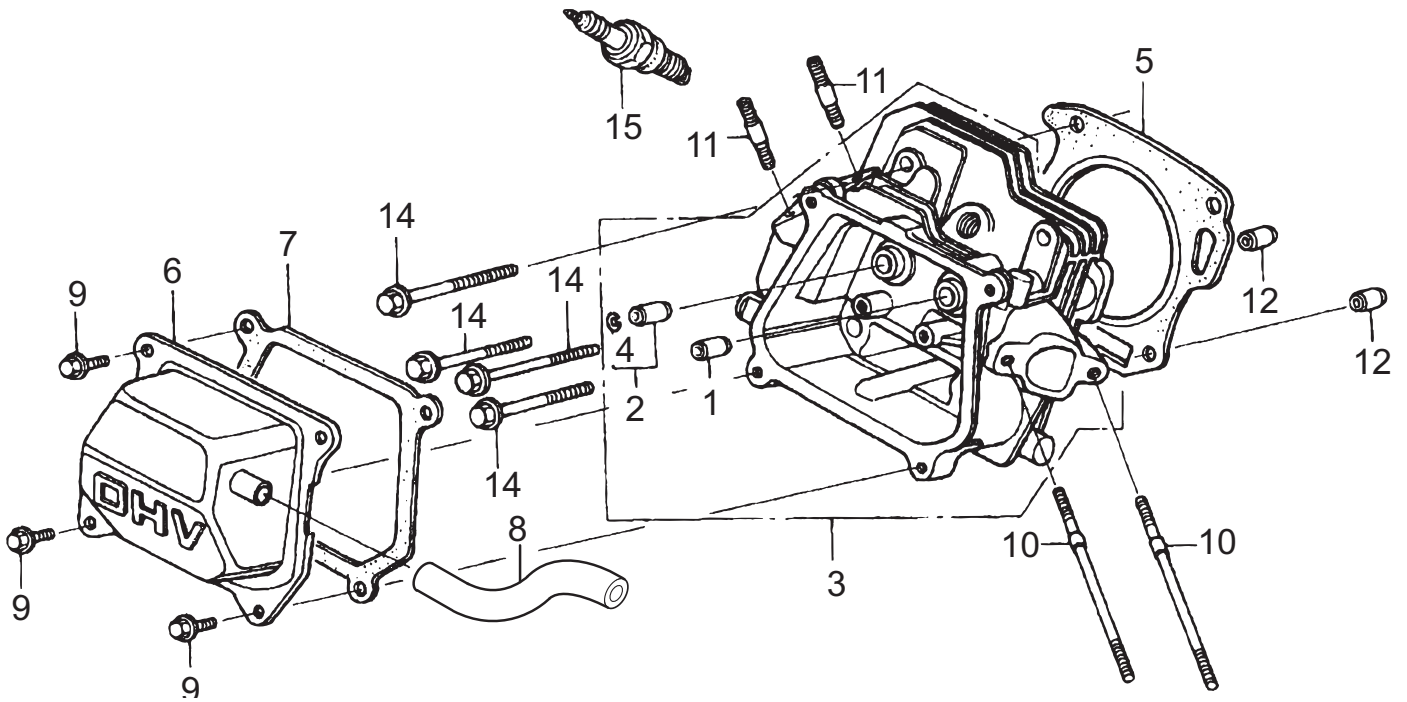


## WATER TANK ASSY.

---

| <u>NO</u> | <u>PART NO</u> | <u>PART NAME</u>         | <u>QTY.</u> | <u>REMARKS</u>    |
|-----------|----------------|--------------------------|-------------|-------------------|
| 91        | 418118580      | GUARD HOOK               | 1           |                   |
| 92        | 002211025      | BOLT 10X25 H, SW         | 3           |                   |
| 101       | 418910080      | WATER TANK, ORANGE ..... | 1           | INCLUDES ITEM W/* |
| 102*      | 954300342      | CAP, WATER TANK          | 1           |                   |
| 103*      | 001241030      | BOLT 10X30 U             | 1           |                   |
| 104*      | 033910010      | WASHER 10.5X21X2 SUS.    | 2           |                   |
| 105*      | 022910180      | NYLON NUT M10            | 1           |                   |
| 107       | 954403241      | COCK PT1/4, BH-1211 AL.  | 1           |                   |
| 108       | 959403790      | NUT PS-1/4               | 1           |                   |
| 109       | 418458320      | PACKING 11.5X19.5X2      | 1           |                   |
| 110       | 418345150      | PIPE HOLDER              | 1           |                   |
| 111       | 418345160      | SPRINKLING PIPE          | 1           |                   |
| 112       | 001740825      | FLANGE BOLT 8X2          | 1           |                   |
| 113       | 033910110      | WASHER, FLAT M8          | 2           |                   |
| 114       | 020308064      | NUT M8                   | 1           |                   |
| 115       | 418459330      | RUBBER CAP               | 1           |                   |
| 116       | 416453780      | PACKING 8X19X2T          | 1           |                   |
| 151       | 418217120      | SHAFT/CARRY              | 1           |                   |
| 152       | 031118260      | WASHER, FLAT M18         | 4           |                   |
| 153       | 025203030      | SPLIT COTTER PIN 3X30    | 2           |                   |
| 154       | 959300370      | WHEEL 200X50             | 2           |                   |

# CYLINDER HEAD ASSY.

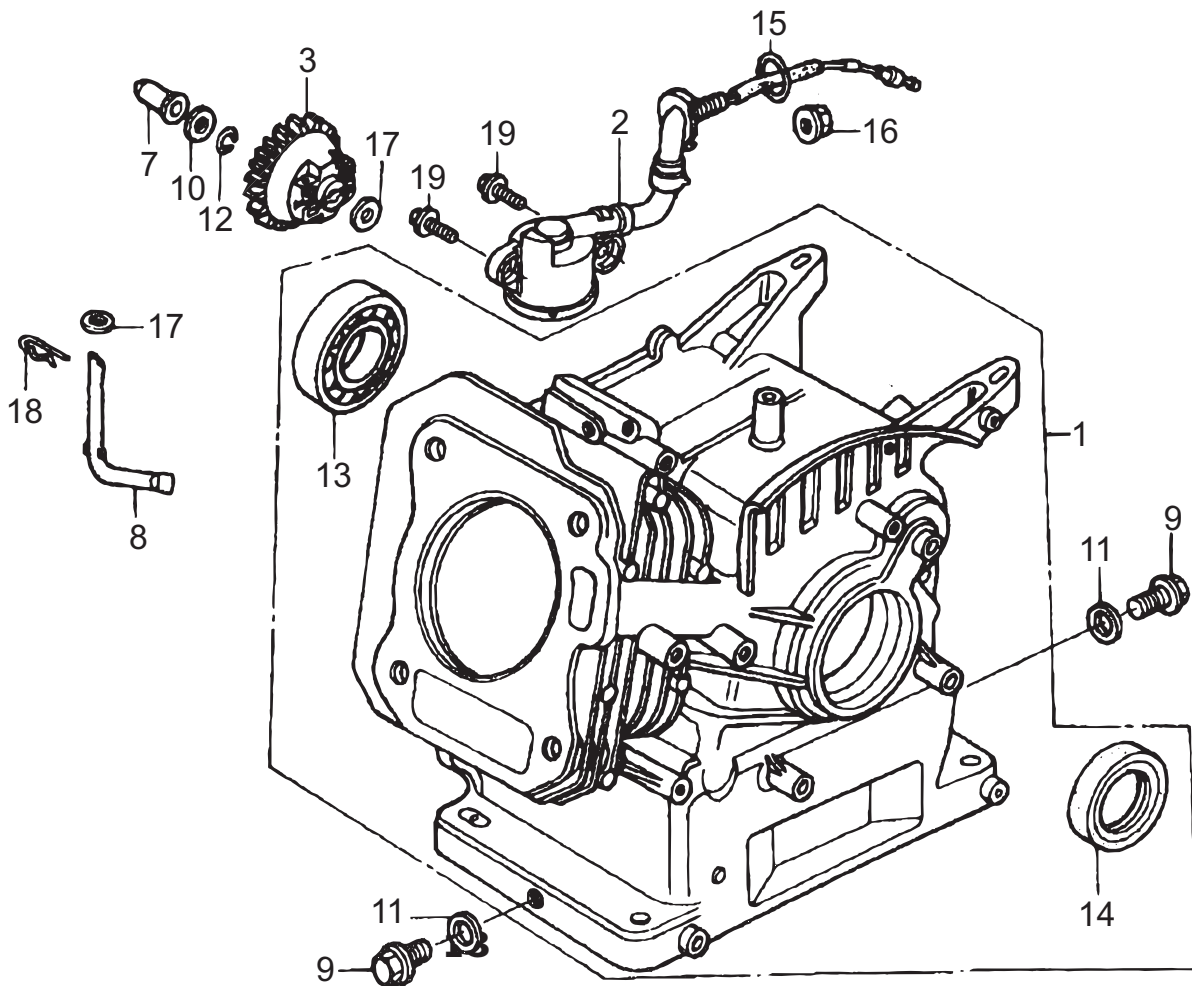


## CYLINDER HEAD ASSY.

---

| <b>NO.</b> | <b>PART NO.</b> | <b>PART NAME</b>                     | <b>QTY.</b> | <b>REMARKS</b>      |
|------------|-----------------|--------------------------------------|-------------|---------------------|
| 1%         | 12204ZE1306     | GUIDE, IN. VALVE (OS), OPTIONAL      | 1           |                     |
| 2%         | 12205ZE1315     | GUIDE, EX. VALVE (OS) OPTIONAL ..... | 1           | INCLUDES ITEMS W/ # |
| 3          | 12210ZH8405     | HEAD COMP., CYLINDER .....           | 1           | INCLUDES ITEMS W/ % |
| 4%#        | 12216ZE5300     | CLIP, VALVE GUIDE                    | 1           |                     |
| 5          | 12251ZH1800     | GASKET, CYLINDER HEAD                | 1           |                     |
| 6          | 12310ZE1020     | COVER, HEAD                          | 1           |                     |
| 7          | 12391ZE1000     | GASKET, CYLINDER HEAD COVER          | 1           |                     |
| 8          | 15721ZH8000     | TUBE, BREATHER                       | 1           |                     |
| 9          | 90013883000     | BOLT, FLANGE (6 X 12)                | 4           |                     |
| 10         | 90043ZE1020     | BOLT, STUD ( 6 X 112)                | 2           |                     |
| 11         | 90047ZE1000     | BOLT, STUD (8 X 32)                  | 2           |                     |
| 12         | 9430110160      | PIN A, DOWELL (10 X 16)              | 2           |                     |
| 14         | 957230806000    | BOLT, FLANGE (8 X 55)                | 4           |                     |
| 15         | 9807956846      | SPARK PLUG BPR6ES (NGK)              | 1           |                     |

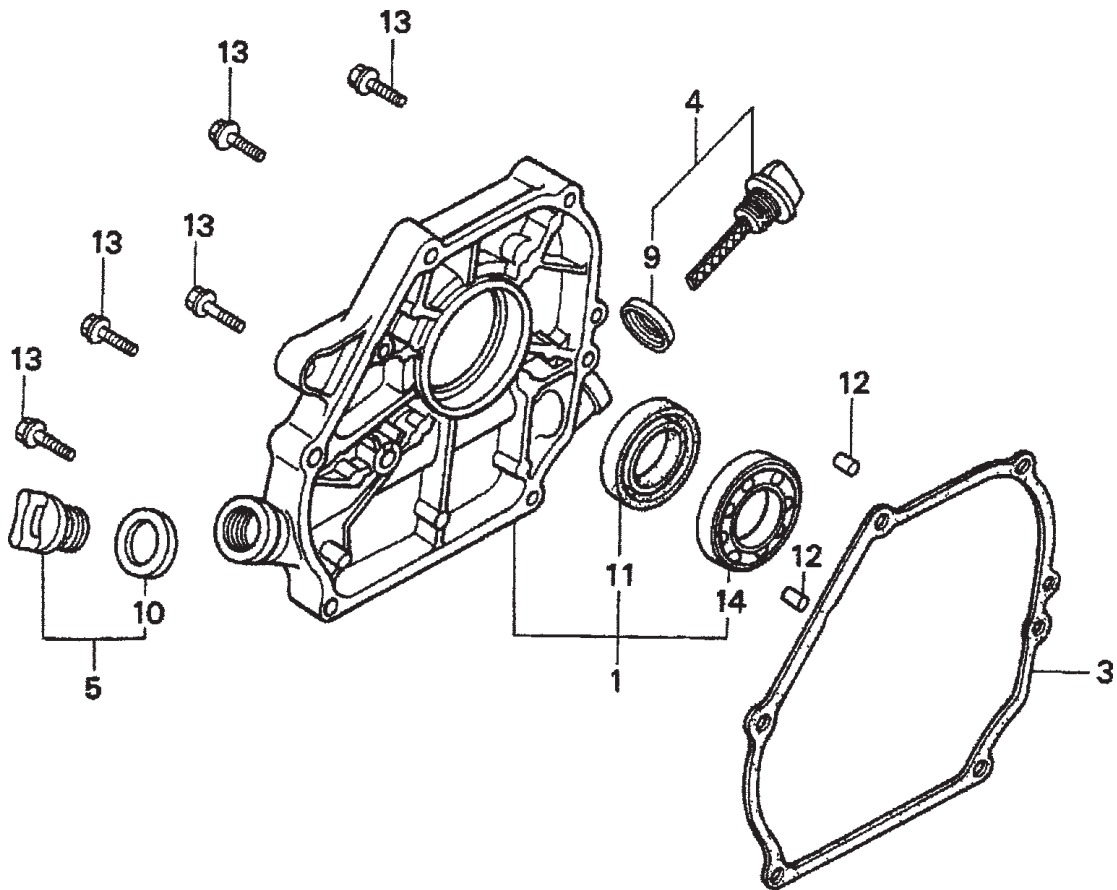
# CYLINDER BARREL ASSY.



## CYLINDER BARREL ASSY.

| <u>NO.</u> | <u>PART NO.</u> | <u>PART NAME</u>            | <u>QTY.</u> | <u>REMARKS</u>       |
|------------|-----------------|-----------------------------|-------------|----------------------|
| 1          | 12000ZH8426     | CYLINDER BARREL ASSY. ....  | 1           | INCLUDES ITEMS W/ \$ |
| 2          | 15510ZE1033     | SWITCH ASSY., OIL LEVEL     | 1           |                      |
| 3          | 16510ZE1000     | GOVERNOR ASSY.              | 1           |                      |
| 7          | 16531ZE1000     | SLIDER, GOVERNOR            | 1           |                      |
| 8          | 16541ZE1000     | SHAFT, GOVERNOR ARM         | 1           |                      |
| 9          | 90131ZE1000     | BOLT, DRAIN PLUG            | 2           |                      |
| 10         | 90451ZE1000     | WASHER, THRUST (6MM)        | 1           |                      |
| 11         | 90601ZE1000     | WASHER, DRAIN PLUG (10.2MM) | 2           |                      |
| 12         | 90602ZE1000     | CLIP, GOVERNOR HOLDER       | 1           |                      |
| 13\$       | 91001ZF1003     | BEARING, RADIAL BALL (6205) | 1           |                      |
| 14\$       | 91201Z0T801     | OIL SEAL (25 X 41 X 6)      | 1           |                      |
| 15         | 91353671004     | O-RING (14 MM)              | 1           |                      |
| 16         | 9405010000      | NUT, FLANGE (10MM)          | 1           |                      |
| 17         | 9410106800      | WASHER, PLAIN (6MM)         | 2           |                      |
| 18         | 9425108000      | PIN, LOCK (8MM)             | 1           |                      |
| 19         | 957010601200    | BOLT, FLANGE (6 X 12)       | 2           |                      |

# CRANKCASE COVER ASSY.

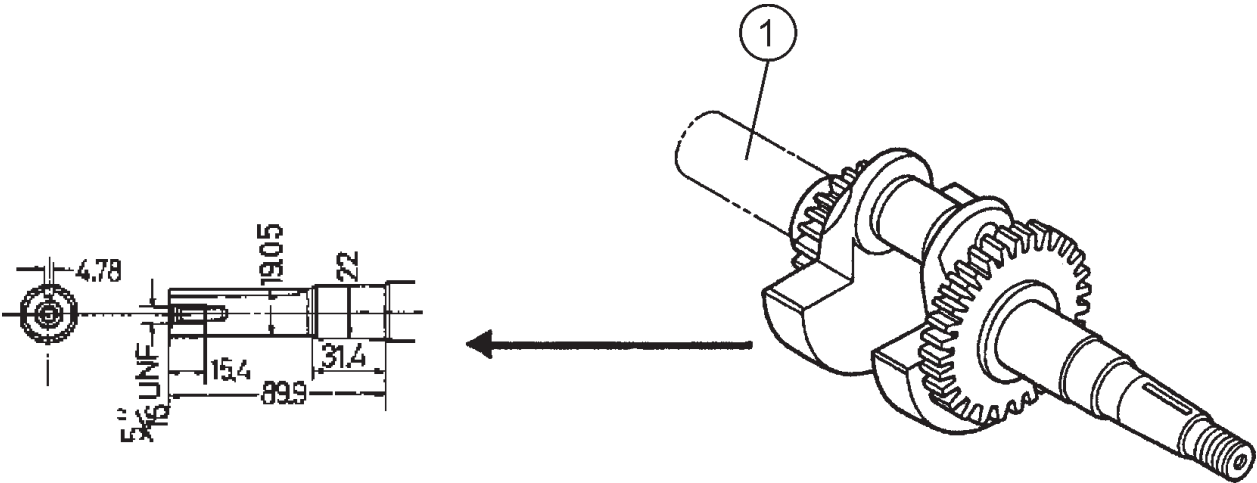


## CRANKCASE COVER ASSY.

---

| <u>NO.</u> | <u>PART NO.</u> | <u>PART NAME</u>                   | <u>QTY.</u> | <u>REMARKS</u>      |
|------------|-----------------|------------------------------------|-------------|---------------------|
| 1          | 11300ZE1642     | COVER ASSY., CRANKCASE .....       | 1           | INCLUDES ITEMS W/ * |
| 3          | 11381ZH8801     | GASKET, CRANKCASE                  | 1           |                     |
| 4          | 15600ZE1003     | CAP ASSY., OIL FILLER (GRAY) ..... | 1           | INCLUDES ITEMS W/ # |
| 5          | 15600ZG4003     | CAP ASSY., OIL FILLER .....        | 1           | INCLUDES ITEMS W/ + |
| 9#         | 15625ZE1003     | GASKET, OIL FILLER CAP             | 1           |                     |
| 10+        | 15625ZE1003     | GASKET, OIL FILLER CAP             | 1           |                     |
| 11*        | 91201Z0T801     | OIL SEAL (25 X 41 X 6)             | 1           |                     |
| 12         | 9430108140      | PIN A, DOWEL (8 X 14)              | 2           |                     |
| 13         | 957010803200    | BOLT, FLANGE (8 X 32)              | 6           |                     |
| 14*        | 961006205000    | BEARING, RADIAL BALL (6205)        | 1           |                     |

# CRANKSHAFT ASSY.

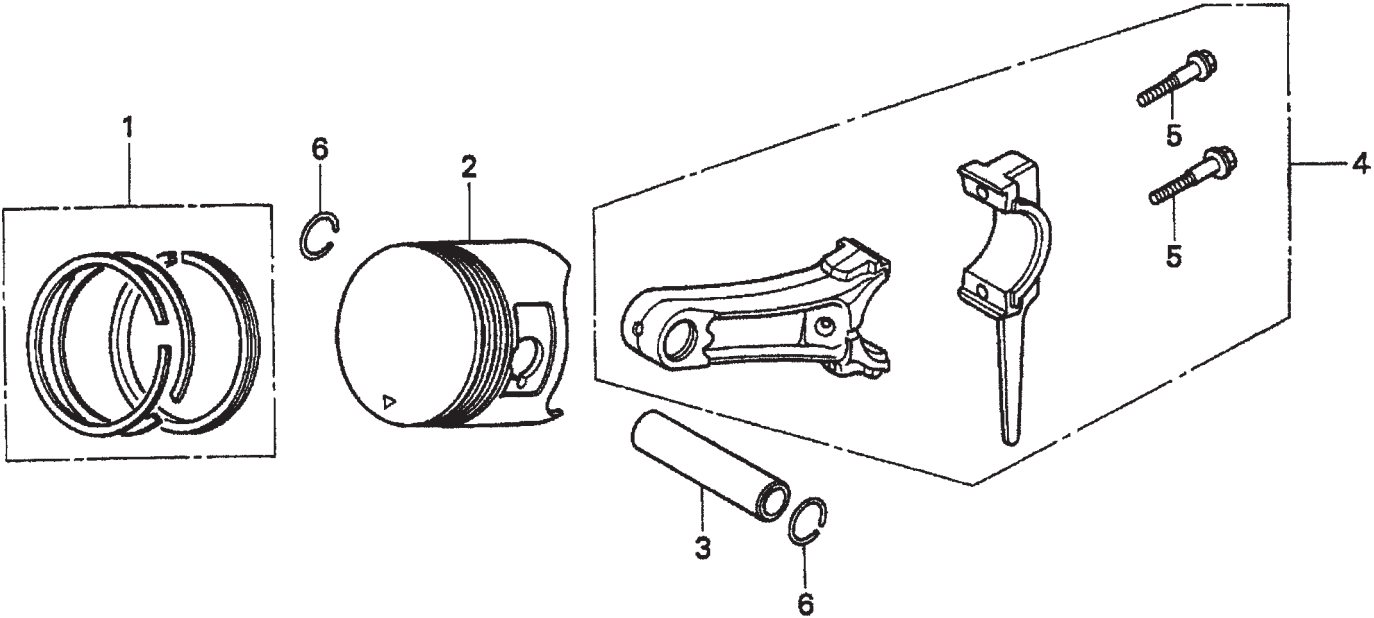


**CRANKSHAFT ASSY.**

---

| <u>NO.</u> | <u>PART NO.</u> | <u>PART NAME</u> | <u>QTY.</u> | <u>REMARKS</u> |
|------------|-----------------|------------------|-------------|----------------|
| 1          | 13310ZE1000     | CRANKSHAFT       | 1           |                |

**PISTON/RINGS ASSY.**



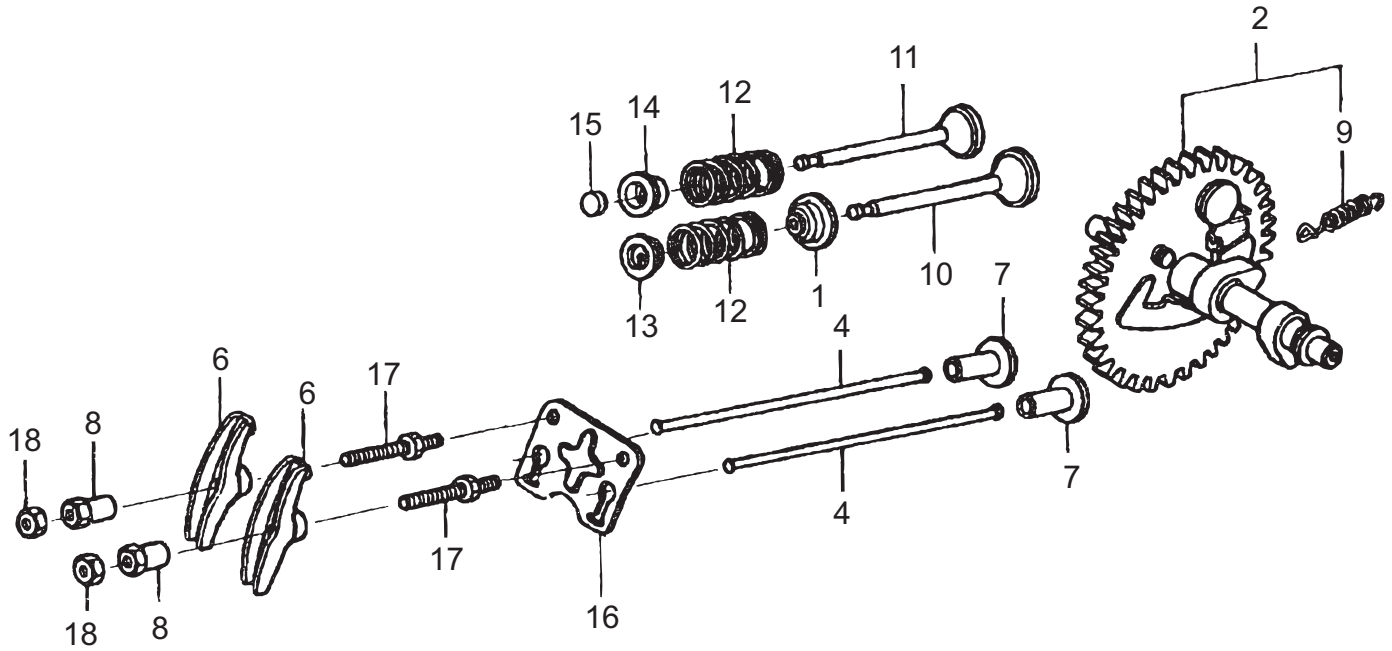
## PISTON/RINGS ASSY.

---

| <u>NO.</u> | <u>PART NO.</u> | <u>PART NAME</u>            | <u>QTY.</u> | <u>REMARKS</u>     |
|------------|-----------------|-----------------------------|-------------|--------------------|
| 1          | 13010ZL0003     | RING SET, PISTON (STD)      | 1           |                    |
| 1          | 13011ZL0003     | RING SET, PISTON (OS 0.25)  | 1           |                    |
| 1          | 13012ZL0003     | RING SET, PISTON (OS 0.50)  | 1           |                    |
| 1          | 13013ZL0003     | RING SET, PISTON (OS 0.75)  | 1           |                    |
| 2          | 13101ZH8010     | PISTON (STD)                | 1           |                    |
| 2          | 13102ZH8010     | PISTON (OS 0.25)            | 1           |                    |
| 2          | 13103ZH8010     | PISTON (OS 0.50)            | 1           |                    |
| 2          | 13104ZH8010     | PISTON (0.75)               | 1           |                    |
| 3          | 13111ZE1000     | PIN, PISTON                 | 1           |                    |
| 4          | 13200ZE1010     | ROD ASSY., CONNECTING ..... | 1           | INCLUDES ITEMS W/* |
| 5*         | 90001ZE1000     | BOLT, CONNECTING ROD        | 2           |                    |
| 6          | 90551ZE1000     | CLIP, PISTON PIN (18MM)     | 2           |                    |

# CAMSHAFT ASSY.

CAMSHAFT ASSY.



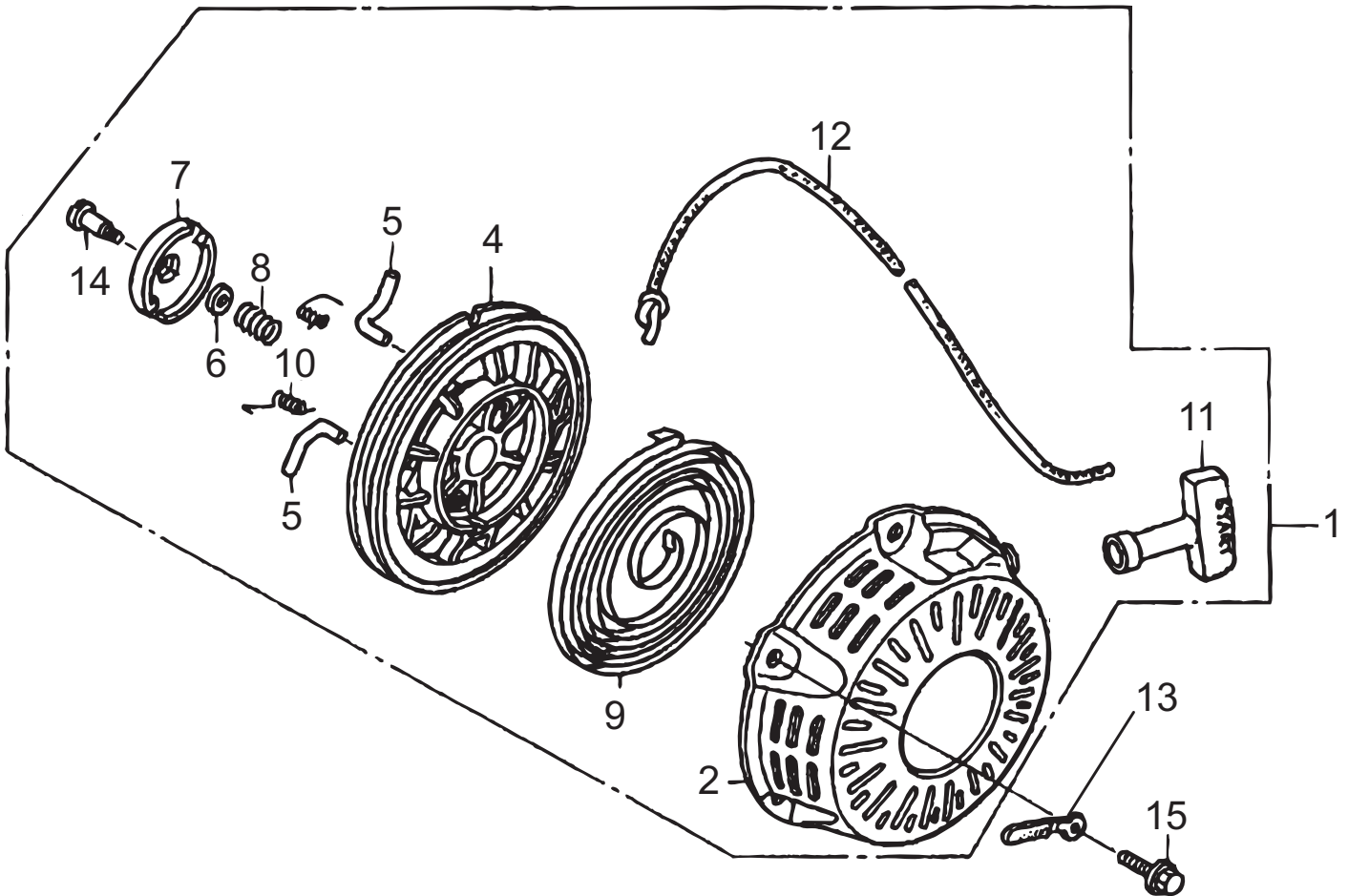
## CAMSHAFT ASSY.

---

### CAMSHAFT ASSY.

| <u>NO.</u> | <u>PART NO.</u> | <u>PART NAME</u>           | <u>QTY.</u> | <u>REMARKS</u>     |
|------------|-----------------|----------------------------|-------------|--------------------|
| 1          | 12209ZH8003     | SEAL, VALVE STEM           | 1           |                    |
| 2          | 14100ZE1812     | CAMSHAFT ASSY. ....        | 1           | INCLUDES ITEMS W/* |
| 4          | 14410ZE1010     | ROD, PUSH                  | 2           |                    |
| 6          | 14431ZE1000     | ARM, VALVE ROCKER          | 2           |                    |
| 7          | 14441ZE1010     | LIFTER, VALVE              | 2           |                    |
| 8          | 14451ZE1013     | PIVOT, ROCKER ARM          | 2           |                    |
| 9*         | 14568ZE1000     | SPRING, WEIGHT RETURN      | 1           |                    |
| 10         | 14711ZF1000     | VALVE, INLET               | 1           |                    |
| 11         | 14721ZF0000     | VALVE, EXHAUST             | 1           |                    |
| 12         | 14751ZF1000     | SPRING VALVE               | 2           |                    |
| 13         | 14771ZE1000     | RETAINER, IN. VALVE SPRING | 1           |                    |
| 14         | 14773ZE1000     | RETAINER, EX. VALVE SPRING | 1           |                    |
| 15         | 14781ZE1000     | ROTATOR, VALVE             | 1           |                    |
| 16         | 14791ZE1010     | PLATE, PUSH ROD GUIDE      | 1           |                    |
| 17         | 90012ZE0010     | BOLT, PIVOT (8MM)          | 2           |                    |
| 18         | 90206ZE1000     | NUT, PIVOT ADJ.            | 2           |                    |

# RECOIL STARTER ASSY.

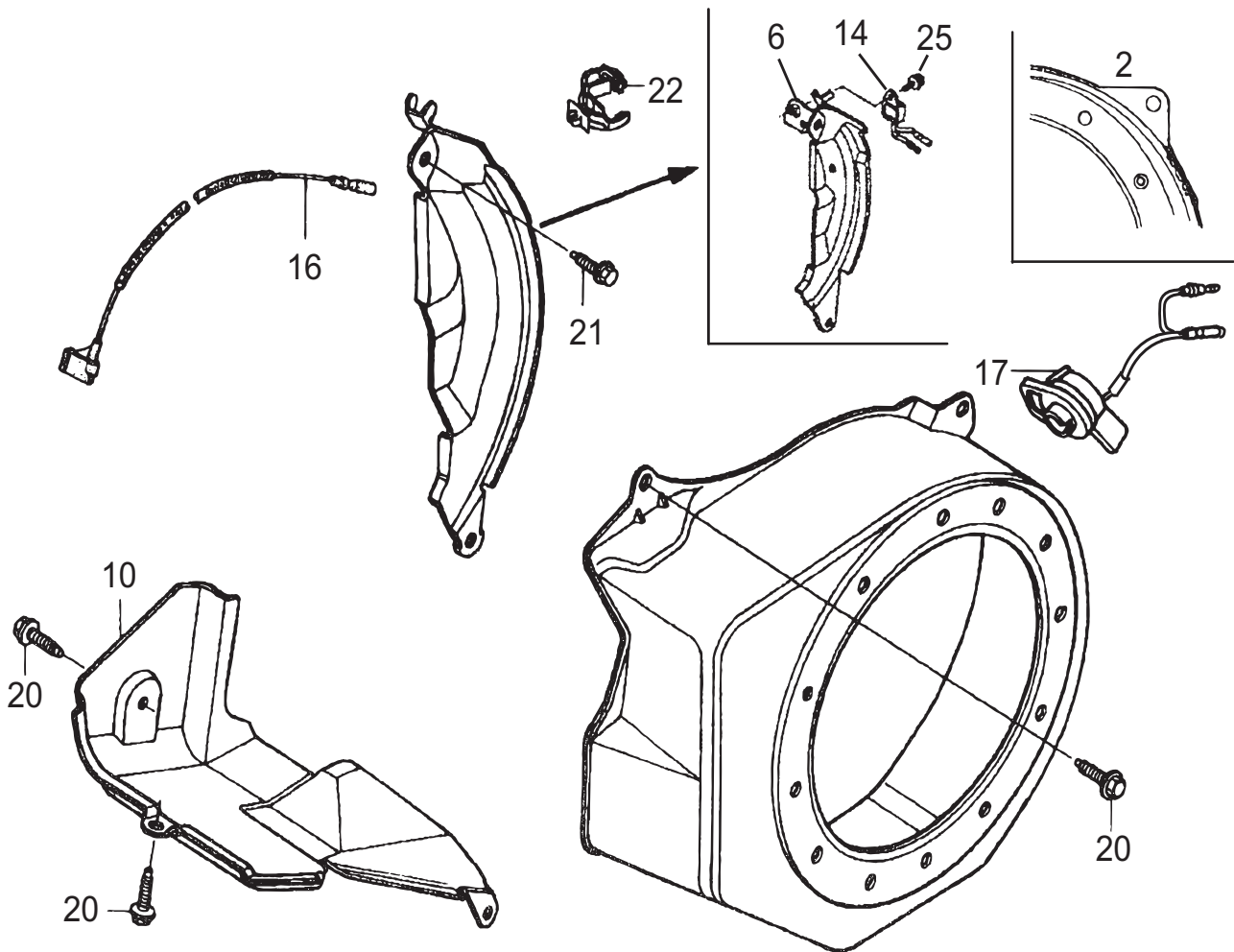


## RECOIL STARTER ASSY.

---

| <u>NO.</u> | <u>PART NO.</u> | <u>PART NAME</u>            | <u>QTY.</u> | <u>REMARKS</u>           |
|------------|-----------------|-----------------------------|-------------|--------------------------|
| 1          | 28400ZH8023ZB   | STARTER ASSY., RECOIL ..... | 1           | ..... INCLUDES ITEMS W/* |
| 2*         | 28410ZH8003ZB   | CASE, RECOIL STARTER        | 1           |                          |
| 4*         | 28421ZH8801     | REEL, RECOIL STARTER        | 1           |                          |
| 5*         | 28422ZH8801     | RATCHET, STARTER            | 2           |                          |
| 6*         | 28431ZH8801     | PLATE, FRICTION             | 1           |                          |
| 7*         | 28433ZH8801     | GUIDE, RATCHET              | 1           |                          |
| 8*         | 28441ZH8801     | SPRING, FRICTION            | 1           |                          |
| 9*         | 28442ZH8003     | SPRING, RECOIL STARTER      | 1           |                          |
| 10*        | 28443ZH8001     | SPRING, RETURN              | 2           |                          |
| 11*        | 28461ZH8003     | KNOB, RECOIL STARTER        | 1           |                          |
| 12*        | 28462ZH8003     | ROPE, RECOIL STARTER        | 1           |                          |
| 13         | 90003ZH8801     | CLIP, CORD                  | 1           |                          |
| 14*        | 90008ZE2003     | BOLT, FLANGE (6 X 10)       | 1           |                          |
| 15         | 90008ZE2003     | BOLT, FLANGE (6 X 10)       | 1           |                          |

# FAN COVER ASSY.

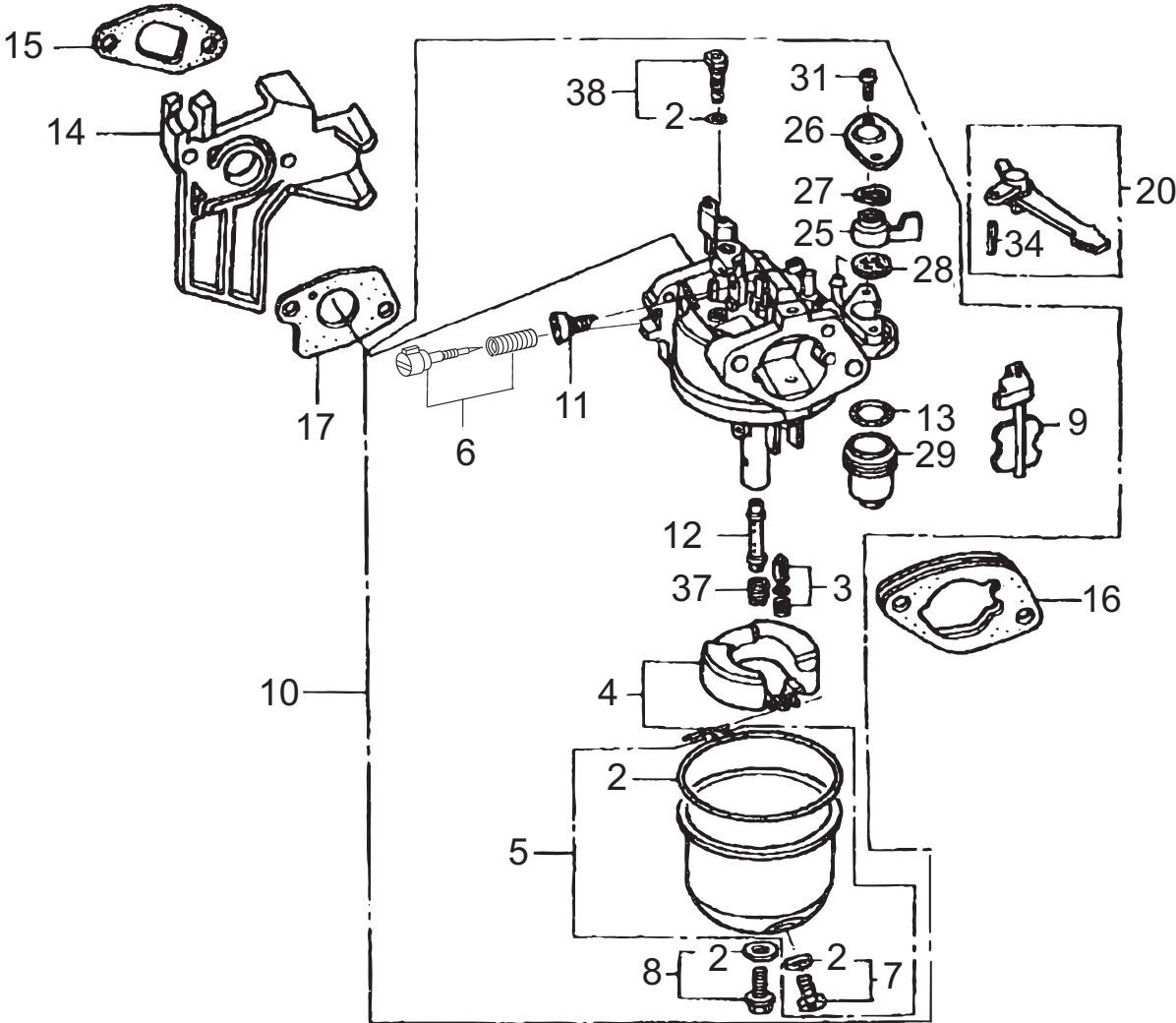


## FAN COVER ASSY.

---

| <u>NO.</u> | <u>PART NO.</u> | <u>PART NAME</u>          | <u>QTY.</u> | <u>REMARKS</u> |
|------------|-----------------|---------------------------|-------------|----------------|
| 2          | 19610ZE1000ZC   | COVER, FAN (BLACK)        | 1           |                |
| 6          | 19611ZH8810     | PLATE, SIDE (OIL ALERT)   | 1           |                |
| 10         | 19630ZH8000     | SHROUD                    | 1           |                |
| 14         | 34150ZH7003     | ALERT UNIT, OIL           | 1           |                |
| 16         | 36101ZE1010     | CORD, STOP SWITCH (370MM) | 1           |                |
| 17         | 36100ZF6P81     | SWITCH ASSY., ENGINE STOP | 1           |                |
| 20         | 90013883000     | BOLT, FLANGE (6 X 12)     | 6           |                |
| 21         | 90022888010     | BOLT, FLANGE (6 X 20)     | 1           |                |
| 22         | 90601ZH7013     | CLIP, HARNESS             | 1           |                |
| 25         | 957010600800    | BOLT, FLANGE (6 X 8)      | 1           |                |

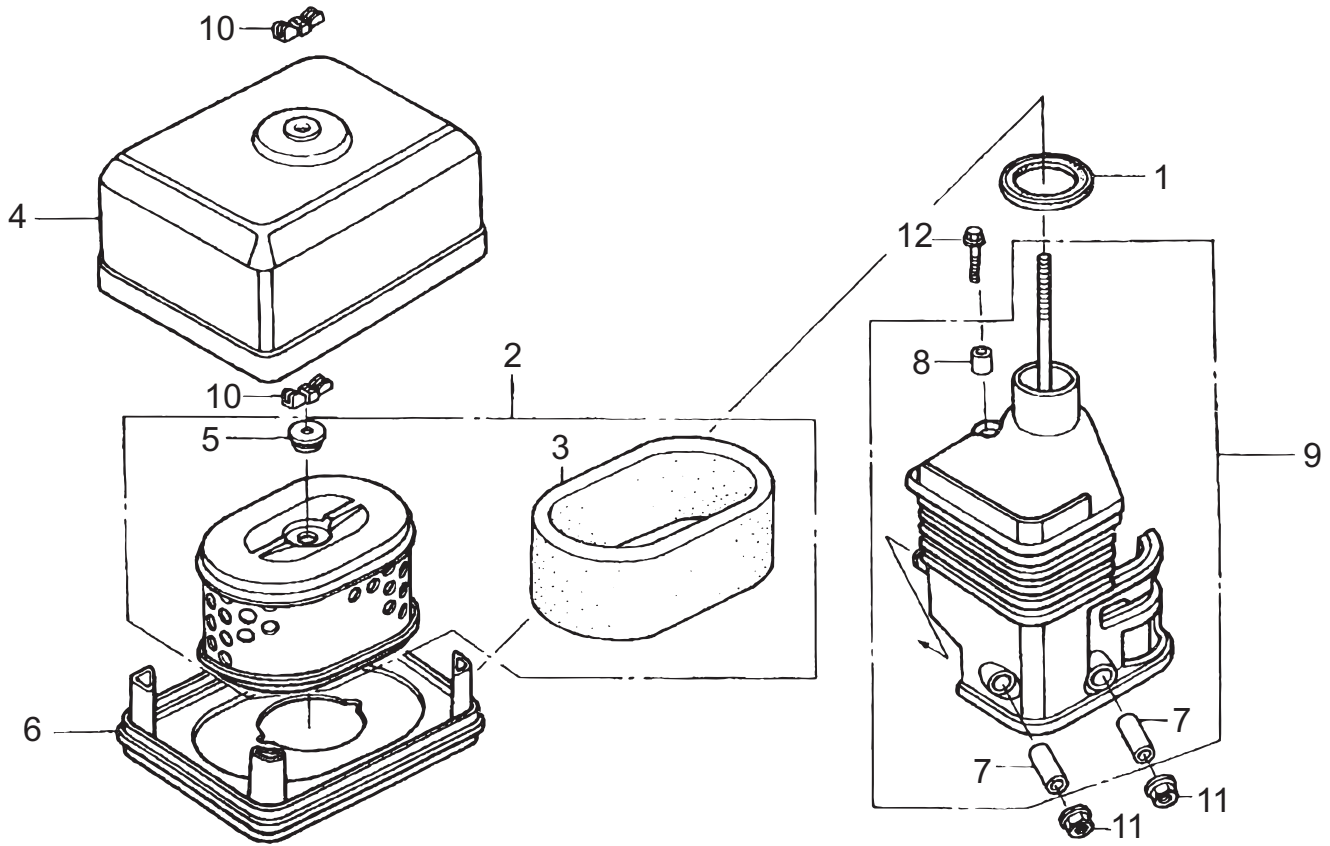
**CARBURETOR ASSY.**



## CARBURETOR ASSY.

| <u>NO.</u> | <u>PART NO.</u> | <u>PART NAME</u>                 | <u>QTY.</u> | <u>REMARKS</u>      |
|------------|-----------------|----------------------------------|-------------|---------------------|
| 2*         | 16010ZE1812     | GASKET SET                       | 1           |                     |
| 3*         | 16011ZE0005     | VALVE SET, FLOAT                 | 1           |                     |
| 4*         | 16013ZE0005     | FLOAT SET                        | 1           |                     |
| 5*         | 16015ZE0831     | CHAMBER SET, FLOAT .....         | 1           | INCLUDES O-RING     |
| 6*         | 16016ZH7W01     | SCREW SET                        | 1           |                     |
| 7*         | 16024ZE1811     | SCREW SET, DRAIN .....           | 1           | INCLUDES GASKET     |
| 8*         | 16028ZE0005     | SCREW SET B .....                | 1           | INCLUDES GASKET     |
| 9*         | 16044ZE0005     | CHOKE SET                        | 1           |                     |
| 10         | 16100ZH8W51     | CARBURETOR ASSY. (BE65B B) ..... | 1           | INCLUDES ITEMS W/ * |
| 11*        | 16124ZE0005     | SCREW, THROTTLE STOP             | 1           |                     |
| 12*        | 16166ZH8W50     | NOZZLE, MAIN                     | 1           |                     |
| 13*        | 16173001004     | O-RING                           | 1           |                     |
| 14         | 16211ZE1000     | INSULATOR, CARBURETOR            | 1           |                     |
| 15         | 16212ZH8800     | GASKET, INSULATOR                | 1           |                     |
| 16         | 16220ZE1020     | SPACER, CARBURETOR               | 1           |                     |
| 17         | 16221ZH8801     | GASKET, CARBURETOR               | 1           |                     |
| 20         | 16610ZE1000     | LEVER, CHOKE (STD) .....         | 1           | INCLUDES ITEMS W/ # |
| 25*        | 16953ZE1812     | LEVER, VALVE                     | 1           |                     |
| 26*        | 16954ZE1812     | PLATE, LEVER SETTING             | 1           |                     |
| 27*        | 16956ZE1811     | SPRING, VALVE LEVER              | 1           |                     |
| 28*        | 16957ZE1812     | GASKET, VALVE                    | 1           |                     |
| 29*        | 16967ZE0811     | CUP, FUEL STRAINER               | 1           |                     |
| 31*        | 93500030061H    | SCREW, PAN (3 X 6)               | 2           |                     |
| 34#        | 9430520122      | PIN, SPRING (2 X 12)             | 1           |                     |
| 37*        | 99101ZH80700    | JET, MAIN (#70)                  | 1           |                     |
| 38*        | 99204ZE00350    | JET, SET, PILOT (#35) .....      | 1           | INCLUDES GASKET     |

# AIR CLEANER ASSY.



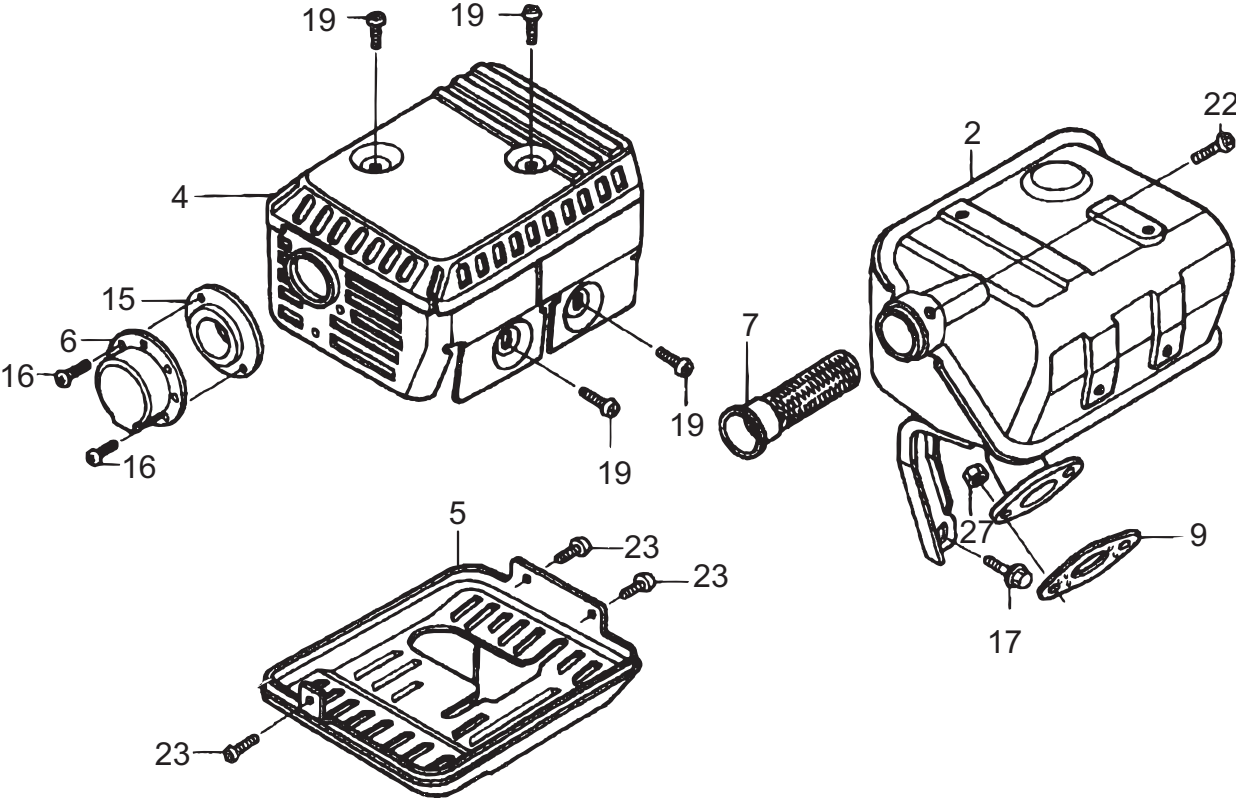
## AIR CLEANER ASSY.

---

| <u>NO.</u> | <u>PART NO.</u> | <u>PART NAME</u>           | <u>QTY.</u> | <u>REMARKS</u>      |
|------------|-----------------|----------------------------|-------------|---------------------|
| 1          | 16271ZE1000     | GASKET, ELBOW              | 1           |                     |
| 2          | 17210ZE1517     | ELEMENT, AIR CLEANER ..... | 1           | INCLUDES ITEMS W/*  |
| 3*         | 17218ZE1507     | FILTER (OUTER)             | 1           |                     |
| 4          | 17230ZE1820     | COVER, AIR CLEANER         | 1           |                     |
| 5*         | 17232891000     | GROMMET, AIR CLEANER       | 1           |                     |
| 6          | 17235ZE1831     | NOISE, MUFFLER             | 1           |                     |
| 7#         | 17238ZE7010     | COLLAR, AIR CLEANER        | 2           |                     |
| 8#         | 17239ZE1000     | COLLAR B, AIR CLEANER      | 1           |                     |
| 9          | 17410ZE1020     | ELBOW, AIR CLEANER .....   | 1           | INCLUDES ITEMS W/ # |
| 10         | 90325044000     | WINGNUT, TOOL BOX SETTING  | 1           |                     |
| 11         | 9405006000      | NUT, CAP (6 MM)            | 2           |                     |
| 12         | 957010602000    | BOLT, FLANGE (6 X 20)      | 1           |                     |

# MUFFLER ASSY.

MUFFLER ASSY.



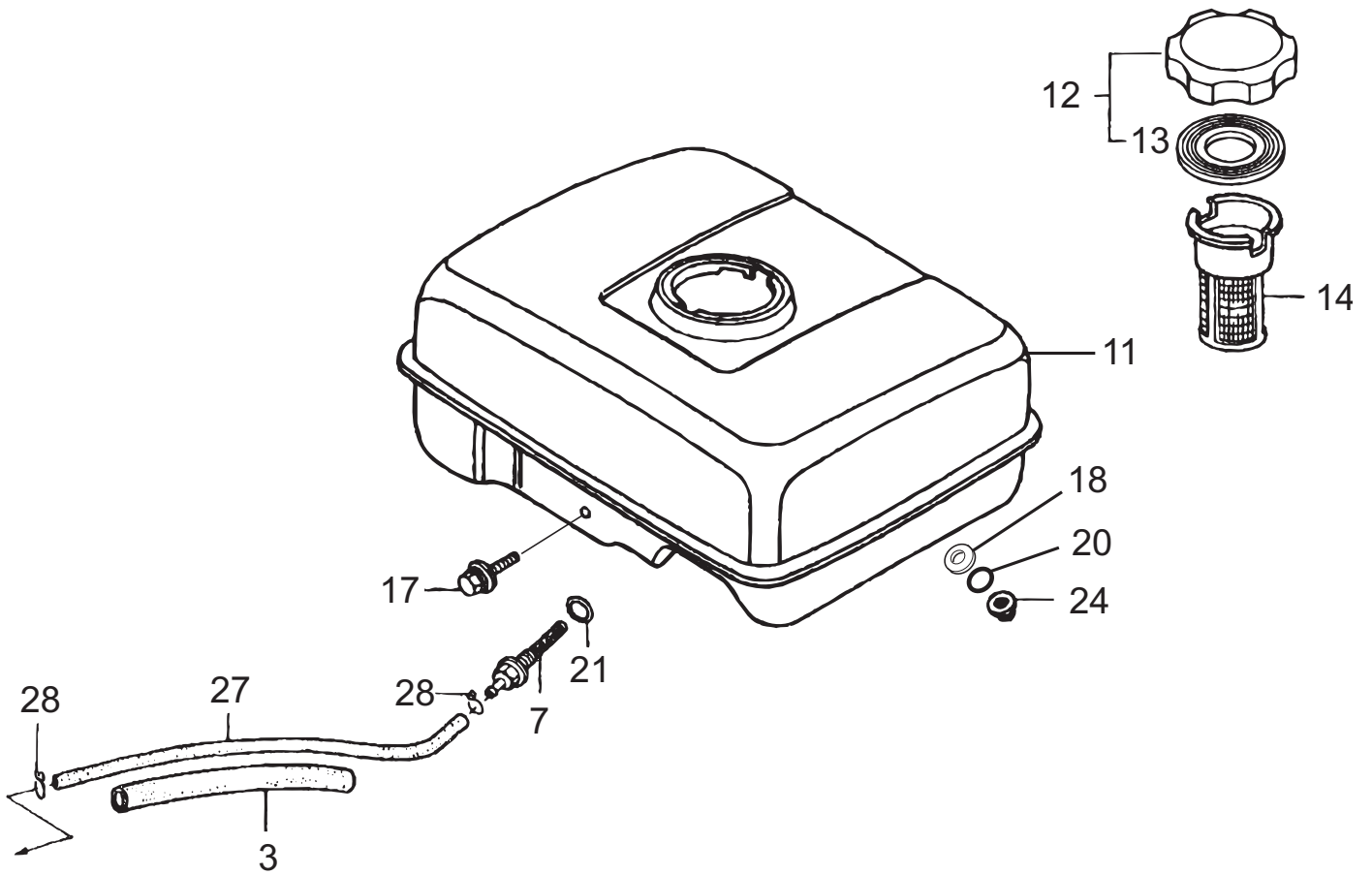
## MUFFLER ASSY.

---

### MUFFLER ASSY.

| <u>NO.</u> | <u>PART NO.</u> | <u>PART NAME</u>       | <u>QTY.</u> | <u>REMARKS</u> |
|------------|-----------------|------------------------|-------------|----------------|
| 2          | 18310ZH8810     | MUFFLER                | 1           |                |
| 4          | 18320ZF1H01     | PROTECTOR, MUFFLER     | 1           |                |
| 5          | 18325ZE1010     | PROTECTOR, LOWER       | 1           |                |
| 6          | 18340ZE1010     | DEFLECTOR CP           | 1           |                |
| 7          | 18355ZE1000     | ARRESTER, SPARK        | 1           |                |
| 9          | 18381ZH8800     | GASKET, MUFFLER        | 1           |                |
| 15         | 18522ZE1000     | GUIDE, MUFFLER         | 1           |                |
| 16         | 90002ZG0003     | SCREW, TAPPING (4 X 8) | 2           |                |
| 17         | 94001080000S    | NUT, HEX (8MM)         | 2           |                |
| 19         | 90050ZE1000     | SCREW, TAPPING (5 X 8) | 4           |                |
| 22         | 90055ZE1000     | SCREW, TAPPING (4 X 6) | 1           |                |
| 23         | 90055ZE1000     | SCREW, TAPPING (4 X 6) | 4           |                |

# FUEL TANK ASSY.



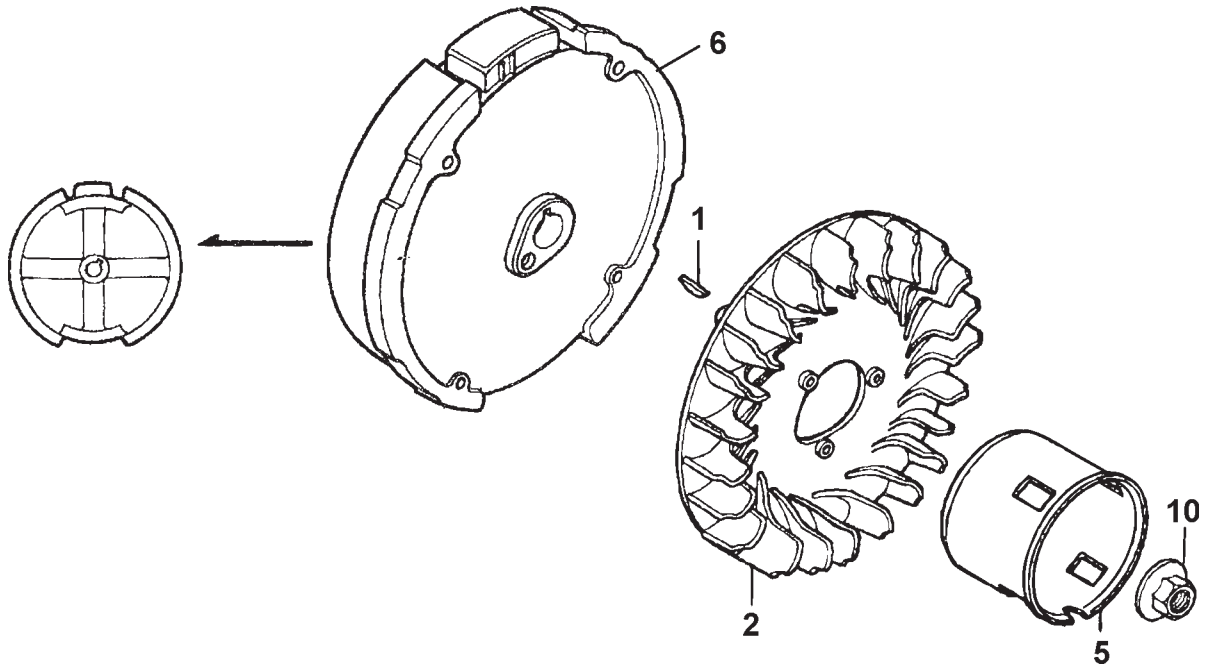
## FUEL TANK ASSY.

---

| <u>NO.</u> | <u>PART NO.</u> | <u>PART NAME</u>           | <u>QTY.</u> | <u>REMARKS</u>            |
|------------|-----------------|----------------------------|-------------|---------------------------|
| 3          | 16854ZH8000     | RUBBER, SUPPORTER (107MM)  | 1           |                           |
| 7          | 16955ZE1000     | JOINT, FUEL TANK           | 1           |                           |
| 11         | 17510ZE1020ZF   | TANK, FUEL (BLACK)         | 1           |                           |
| 12         | 17620Z4H000     | CAP, FUEL FILLER .....     | 1           | ..... INCLUDES ITEMS W/ * |
| 13*        | 17631Z0T812     | GASKET, FUEL FILLER CAP    | 1           |                           |
| 14         | 17672ZE2W01     | FILTER, FUEL               | 1           |                           |
| 17         | 90004ZH7003     | BOLT, FLANGE (6 X 29)      | 1           |                           |
| 18         | 90404680000     | WASHER (6.5 X 25 X 1.5)    | 2           |                           |
| 20         | 91319ME5003     | O-RING (5.5 X 1.4)         | 2           |                           |
| 21         | 91353671004     | O-RING (14 MM)             | 1           |                           |
| 24         | 9405006000      | NUT, FLANGE (6MM)          | 2           |                           |
| 27         | 950014514040    | FUEL TUBE (4.5 X 140)      | 1           |                           |
| 27         | 950014500160M   | BULK HOSE, FUEL (4.5 X 1M) | 1           |                           |
| 28         | 9500202080      | CLIP, TUBE                 | 2           |                           |

# COOLING FAN AND FLYWHEEL ASSY.

---



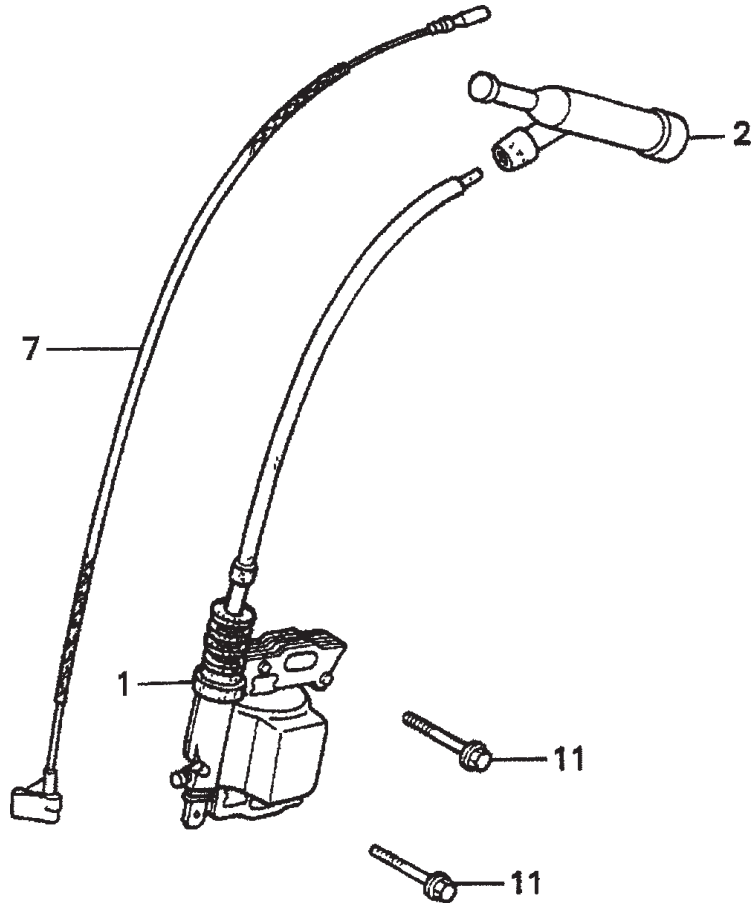
## COOLING FAN AND FLYWHEEL ASSY.

---

| <u>NO.</u> | <u>PART NO.</u> | <u>PART NAME</u>                | <u>QTY.</u> | <u>REMARKS</u> |
|------------|-----------------|---------------------------------|-------------|----------------|
| 1          | 13331357000     | KEY, SPECIAL WOODRUFF (25 X 18) | 1           |                |
| 2          | 19511ZE1000     | FAN, COOLING                    | 1           |                |
| 5          | 28451ZH8001     | PULLEY, STARTER                 | 1           |                |
| 6          | 31100ZE1010     | FLYWHEEL                        | 1           |                |
| 10         | 90201878003     | NUT, SPECIAL (14MM)             | 1           |                |

# IGNITION COIL ASSY.

---

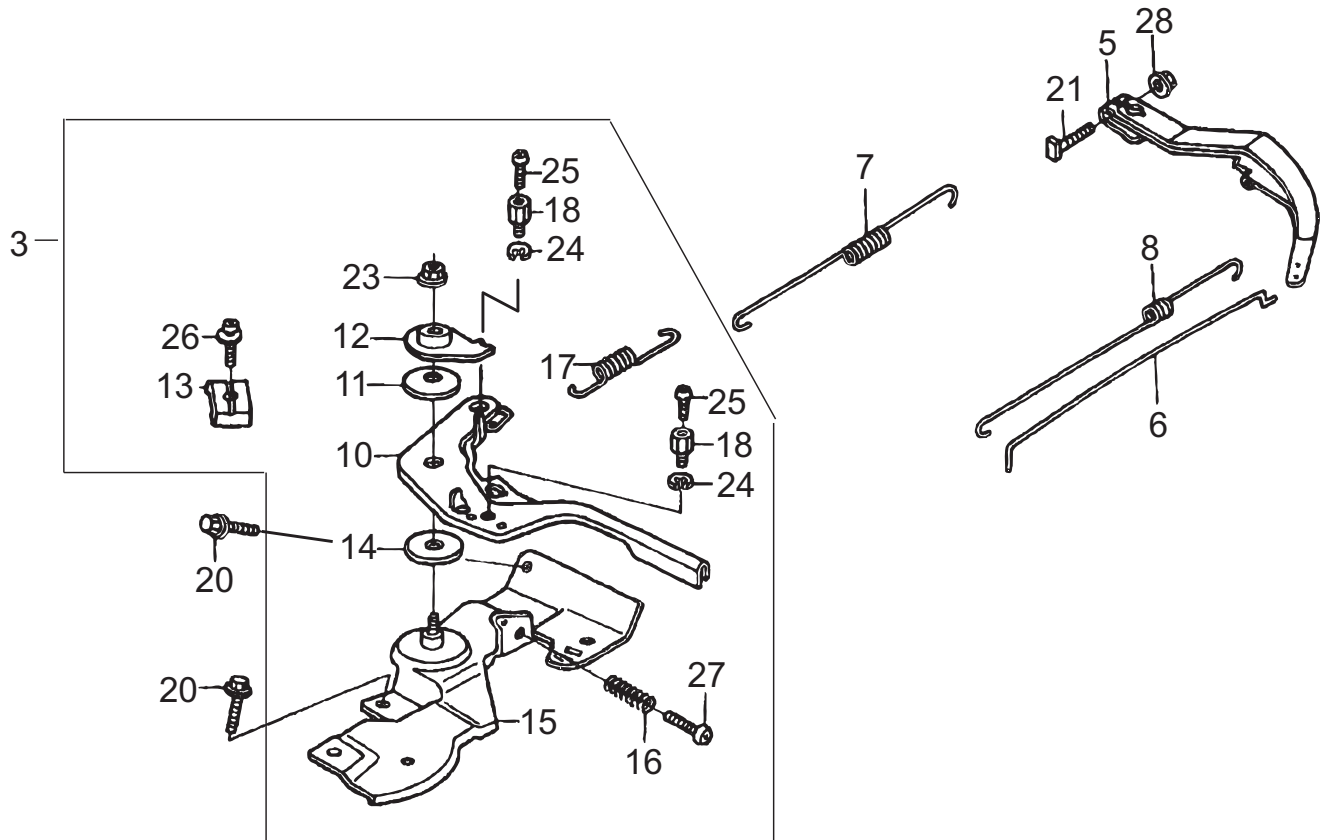


## IGNITION COIL ASSY.

---

| <u>NO.</u> | <u>PART NO.</u> | <u>PART NAME</u>          | <u>QTY.</u> | <u>REMARKS</u> |
|------------|-----------------|---------------------------|-------------|----------------|
| 1          | 30500ZE1063     | COIL ASSY., IGNITION      | 1           |                |
| 2          | 30700ZE1013     | CAP ASSY.                 | 1           |                |
| 7          | 36101ZE1010     | WIRE, STOP SWITCH (370MM) | 1           |                |
| 11         | 90121952000     | BOLT, FLANGE (6 X 25)     | 2           |                |

# CONTROL ASSY.

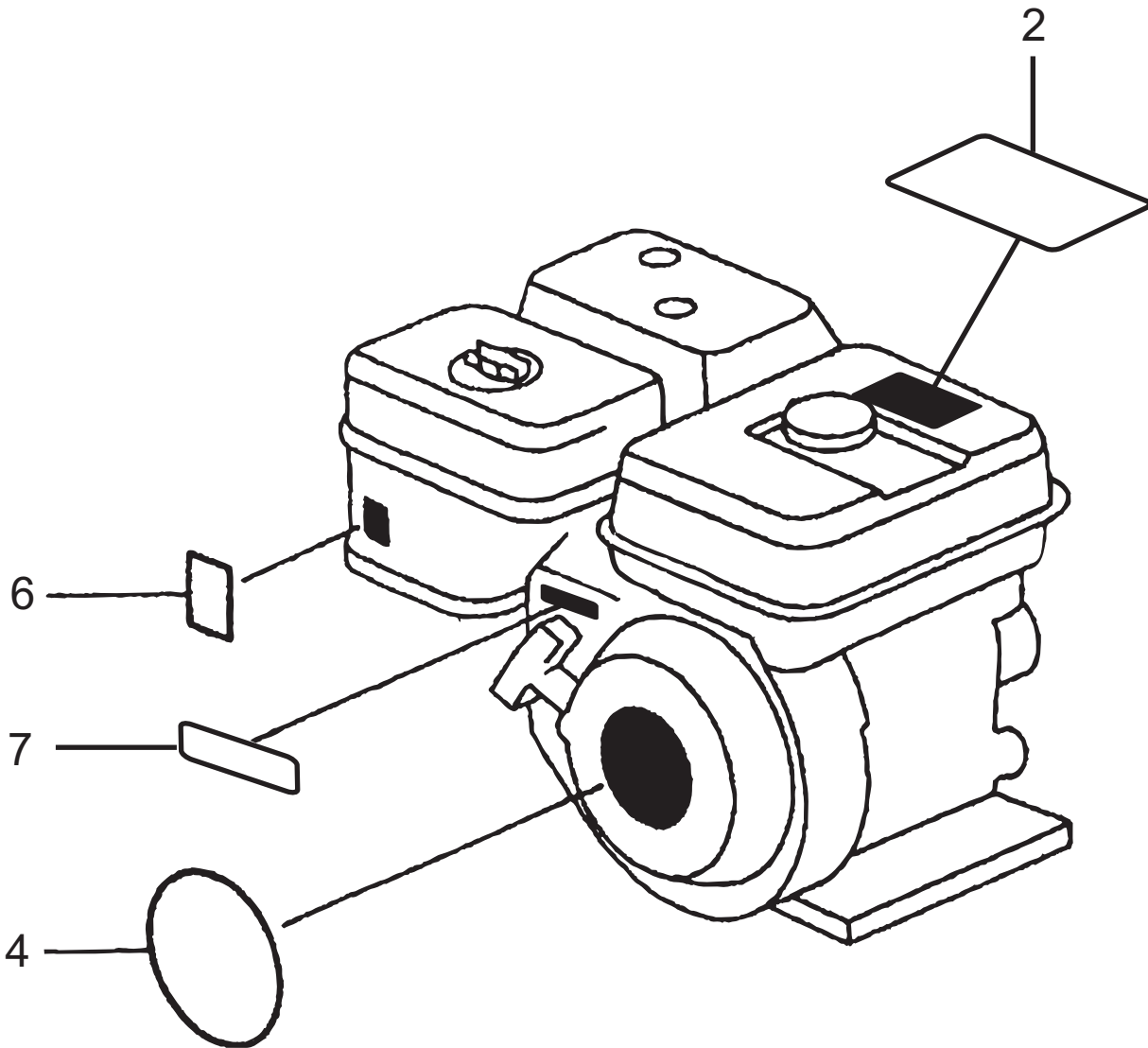


## CONTROL ASSY.

| <u>NO.</u> | <u>PART NO.</u> | <u>PART NAME</u>          | <u>QTY.</u> | <u>REMARKS</u>           |
|------------|-----------------|---------------------------|-------------|--------------------------|
| 3          | 16500ZH8U43     | CONTROL ASSY. ....        | 1           | ..... INCLUDES ITEMS W/* |
| 5          | 16551ZE0010     | ARM, GOVERNOR             | 1           |                          |
| 6          | 16555ZE1000     | ROD, GOVERNOR             | 1           |                          |
| 7          | 16561ZE1020     | SPRING, GOVERNOR          | 1           |                          |
| 8          | 16562ZE1020     | SPRING, THROTTLE RETURN   | 1           |                          |
| 10*        | 16571ZH8020     | LEVER CONTROL             | 1           |                          |
| 11*        | 16574ZE1000     | SPRING LEVER              | 1           |                          |
| 12*        | 16575ZH8000     | WASHER, CONTROL LEVER     | 1           |                          |
| 13*        | 16576891000     | HOLDER, CABLE             | 1           |                          |
| 14*        | 16578ZE1000     | SPACER, CONTROL LEVER     | 1           |                          |
| 15*        | 16580ZH8813     | BASE CONTROL              | 1           |                          |
| 16*        | 16584883300     | SPRING, CONTROL ADJUSTING | 1           |                          |
| 17*        | 16592ZE1810     | SPRING, CABLE RETURN      | 1           |                          |
| 18*        | 16594883010     | HOLDER, WIRE              | 2           |                          |
| 20         | 90013883000     | BOLT, FLANGE (6 X 12)     | 2           |                          |
| 21         | 90015ZE5010     | BOLT, GOVERNOR ARM        | 1           |                          |
| 23*        | 90114SA0000     | NUT, SELF-LOCK (6MM)      | 1           |                          |
| 24*        | 90605230000     | CIRCLIP                   | 2           |                          |
| 25*        | 93500040060H    | SCREW, PAN (4 X 6)        | 2           |                          |
| 26*        | 93500050160A    | SCREW, PAN (5 X 16)       | 1           |                          |
| 27*        | 93500050250H    | SCREW, PAN (5 X 25)       | 1           |                          |
| 28         | 9405006000      | NUT, FLANGE (6MM)         | 1           |                          |

# LABELS ASSY.

---



## LABELS ASSY.

---

| <u>NO.</u> | <u>PART NO.</u> | <u>PART NAME</u>          | <u>QTY.</u> | <u>REMARKS</u> |
|------------|-----------------|---------------------------|-------------|----------------|
| 2          | 87516ZH7000     | MARK, OPERATOR CAUTION    | 1           |                |
| 4          | 87521ZH8030     | EMBLEM (5.5)              | 1           |                |
| 6          | 87528ZH7000     | MARK, CHOKE (GRAY)        | 1           |                |
| 7          | 87532ZH7000     | MARK, THROTTLE INDICATION | 1           |                |