

SSBV-35/40 Series

**B-Vent Gas
Fireplaces**

Millivolt Models	Electronic Models
SSBV-3530CNM	SSBV-3530CNE
SSBV-4035CNM	SSBV-4035CNE

**Retain These Instructions For Future Reference**

P/N 725,034M Rev. E, 01/2007

A French manual is available upon request. Order P/N 725,034CF.
Ce manuel d'installation est disponible en français, simplement
en faire la demande. Numéro de la pièce 725,034CF.

Tested &
Listed By  Beaverton
Oregon USA
OMNI-Test Laboratories, Inc.
OTL Report No. 116-F-30-5

**⚠ WARNINGS**

- **Hot! Do not touch!** The glass and surfaces of this appliance will be hot during operation and will retain heat for a while after shutting off the appliance. Severe burns may result.
- Carefully supervise children in the same room as appliance.
- If small children are present in the home, it is recommended that this appliance be fitted with a screen door or screen panel kit. See *Page 15* for ordering information.



WARNING: If the information in this manual is not followed exactly, a fire or explosion may result causing property damage, personal injury or loss of life.

FOR YOUR SAFETY

Do not store or use gasoline or other flammable vapors or liquids in the vicinity of this or any other appliance.

WHAT TO DO IF YOU SMELL GAS:

- **DO NOT** light any appliance.
- **DO NOT** touch any electrical switches.
- Do not use any phone in your building.
- Immediately call your gas supplier from a neighbor's phone. Follow your gas supplier's instructions.
- If your gas supplier cannot be reached, call the fire department.

Installation and service must be performed by a qualified installer, service agency or the gas supplier.

AVERTISSEMENT: Assurez-vous de bien suivre les instructions donné dans cette notice pour réduire au minimum le risque d'incendie ou pour éviter tout dommage matériel, toute blessure ou la mort.

POUR VOTRE SÉCURITÉ: Ne pas entreposer ni utiliser d'essence ni d'autre vapeurs ou liquides inflammables dans le voisinage de cet appareil ou de tout autre appareil.

POUR VOTRE SÉCURITÉ: Que faire si vous sentez une odeur de gaz:

- Ne pas tenter d'allumer d'appareil.
- Ne touchez à aucun interrupteur. Ne pas vous servir des téléphones se trouvant dans le bâtiment où vous vous trouvez.
- Evacuez la pièce, le bâtiment ou la zone.
- Appelez immédiatement votre fournisseur de gaz depuis un voisin. Suivez les instructions du fournisseur.
- Si vous ne pouvez rejoindre le fournisseur de gaz, appelez le service des incendies.

L'installation et service doit être exécuté par un qualifié installateur, agence de service ou le fournisseur de gaz.

WARRANTY

Your gas appliance is covered by a limited twenty year warranty. You will find a copy of the warranty accompanying this manual. Please read the warranty to be familiar with its coverage.

Retain this manual. File it with your other documents for future reference.

PRODUCT REFERENCE INFORMATION

We recommend that you record the following important information about your fireplace. Please contact your Superior dealer for any questions or concerns. For the number of your nearest Superior dealer, please call 1-800-9-LENNOX.

Cat. No.	Model	Ship. Wt. (lbs)	Ship. Vol. (inches)
H3337	SSBV-3530CNM	115 lbs	37W x 17D x 36H (13.1 cu.ft.)
H3338	SSBV-3530CNE	115 lbs	37W x 17D x 36H (13.1 cu.ft.)
H3339	SSBV-4035CNM	125 lbs	42W x 17D x 41H (16.9 cu.ft.)
H3340	SSBV-4035CNE	125 lbs	42W x 17D x 41H (16.9 cu.ft.)

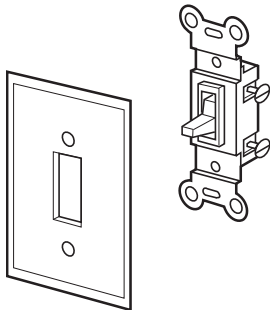
Your Fireplace's Model Number _____

Your Fireplace's Serial Number _____

The Date On Which Your Fireplace Was Installed _____

The Type of Gas Your Fireplace Uses _____

Your Dealer's Name _____



White Wall Switch Kit		
Cat. No.	Model No.	Description
85L87	FWSK	OFF/ON Wall Switch Kit

OFF/ON Wall Switch Kit

The OFF/ON wall switch kit may be used to control the operation of the fireplace burner. Install the OFF/ON wall switch in a convenient location near the fireplace.

REPLACEMENT PARTS

A complete parts list is found at the end of this manual. Use only parts supplied from the manufacturer.

Normally, all parts should be ordered through your Superior distributor or dealer. Parts will be shipped at prevailing prices at time of order.

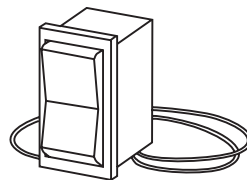
When ordering repair parts, always give the following information:

1. The model number of the appliance.
2. The serial number of the appliance.
3. The part number.
4. The description of the part.
5. The quantity required.
6. The installation date of the appliance.

If you encounter any problems or have any questions concerning the installation or application of this system, please contact your distributor, or LHP directly:

LHP
1110 West Taft Avenue
Orange, CA 92865

Visit us at www.Lennox.com



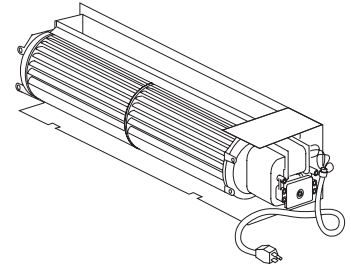
Rocker Switch Kit		
Cat. No.	Model No.	Description
80L41	FRS	Rocker Switch Kit

(ref. Form # 750,037M)

Unit-Mountable Rocker Switch

This rocker switch kit can be installed directly in the gas valve mounting bracket (millivolt gas valve equipped fireplaces) to provide On/Off operation in lieu of a wall switch.

ACCESSORY COMPONENTS

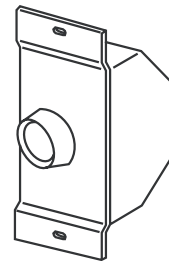


Forced Air Blower Kits		
Cat. No.	Model No.	Description
80L84	FBK-100	Blower, Standard (single speed)
80L85	FBK-200	Blower, Variable Speed (w/wall-mounted switch)
94L89	FBK-100-36	Blower, Standard, 36 Pack
94L90	FBK-200-36	Blower Kit - Variable Speed with Wall Switch 36 Pack

(ref. Form # 750,028M & 750,029M)

Forced Air Kit

The FBK-100 blower provides constant velocity forced air circulation. The FBK-200 assembly with variable speed, wall-mountable switch provides variable speed forced air circulation.



Variable Speed Wall Switch		
Cat. No.	Model No.	Description
045571H	VSWS	Variable Speed Wall Switch

Variable Speed Wall Switch

Provides variable speed control if optional blower kit is purchased.

ACCESSORY COMPONENTS (CONTINUED)



Remote Control Kit, Standard		
Cat. No.	Model No.	Description
H0249	RCL	Remote Control System (Standard)

(ref. Form # 750,127M)

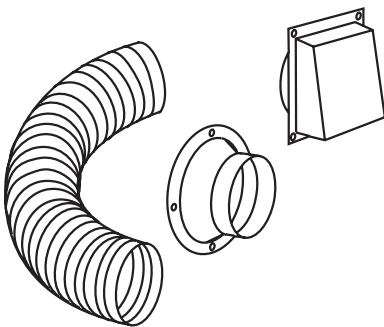
Standard Remote Control System

The Model RCL (Standard) Remote Control System, features a simplistic OFF/ON control function for the fireplace. This model includes a hand-held transmitter, a remote receiver with wall-mount cover plate and all hardware required to install the unit. The remote receiver can be wall or hearth mounted.

The transmitter has ON and OFF functions that are activated by pressing either button on the face of the transmitter. When a button on the transmitter is pressed, a signal light illuminates briefly to verify that a signal has been sent.

The Model RCL is designed to operate with all millivolt ignition systems, as well as electronic ignition systems. It may be installed with use for either natural gas or propane gas appliances. The RCL offers ease of installation and allows you to execute on-off commands to the fireplace effortlessly with one simple motion.

The Model RCL comes complete with detailed operating instructions.



(ref. Form # 750,008M)

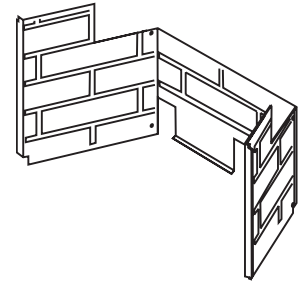
Outside Combustion Air Kits		
Cat. No.	Model No.	Description
81L87	FOAK-4	Combustion Air Kit (with duct)
81L88	FOAK-4LD	Combustion Air Kit (without duct)

Interior Brick Liner Kits		
Cat. #	Model	Models Where Used
H0259	BLK-5B	SSBV-3530
H0260	BLK-6B	SSBV-4035

(ref. Form #750,023M)

Interior Brick Liner Kits

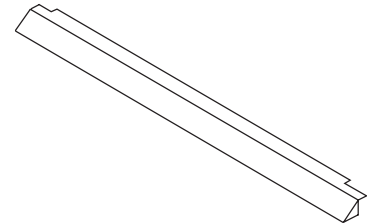
The brickade liner kits include tan stamped sheetmetal panels for the rear and side walls of the firebox. The panels have brick-like features in relief. These kits can be retrofitted into previously installed appliances.



Eyebrow Hood Kits				
Polished Brass		Brushed Stainless		Models Where Used
Cat. #	Model	Cat. #	Model	
80L52	HK-5/50B	80L60	HK-5/50BS	SSBV-3530
80L53	HK-6/60B	80L61	HK-6/60BS	SSBV-4035

* These hood kits replace the standard hood that comes with these fireplaces.

(ref. Form #504,142M)



Polished Brass & Brushed Stainless Hood Kits

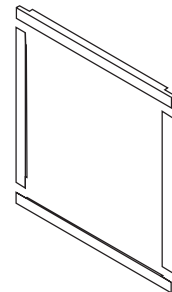
Attractive hoods are available in two styles. These hoods are designed to be fitted to the glass viewing side of the appliance. In addition to providing an aesthetically pleasing appearance to your appliance installation, the hood reduces heat effects to decorative mantles and finish materials located above the fireplace opening. The hood kit replaces the standard hood that comes with these appliances and snaps into place. These kits can be retrofitted to previously installed appliances.

4 Piece Door Trim Kits				
Polished Brass		Brushed Stainless		Models Where Used
Cat. #	Model	Cat. #	Model	
26M82	4DFK35PB	26M85	4DFK35BS	SSBV-3530
26M83	4DFK40PB	26M86	4DFK40BS	SSBV-4035

(ref. Form # 750,098M)

Door Frame Kits

A decorative door frame kit is available for use with these appliances. It is designed to attach directly to the front face of the appliance at the four edges of the glass enclosure panel resulting in the appearance of a picture frame.



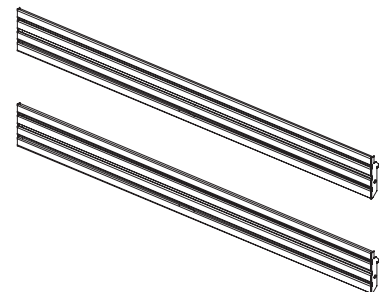
* Assembled 8-Piece Louver Kits				
Polished Brass		Brushed Stainless		Models Where Used
Cat. #	Model	Cat. #	Model	
H1524	LK-500B	H1525	LK-500BS	SSBV-3530
H1526	LK-600B	H1527	LK-600BS	SSBV-4035

(ref. Form # 750,166M)

* Superior Nameplate Logo, 56L93, is not included.

Polished Brass & Brushed Stainless Louvers Kits

These kits include a top 4-louver assembly and a bottom 4-louver assembly. They provide a touch of elegance. These kits can be retrofitted to previously installed appliances.

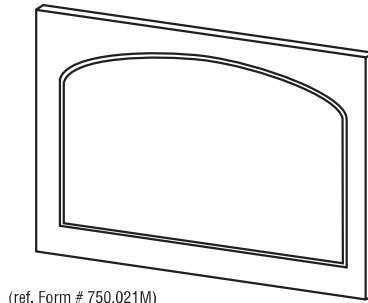


NOTE: DIAGRAMS & ILLUSTRATIONS ARE NOT TO SCALE.

ACCESSORY COMPONENTS (CONTINUED)

Arch Door Kit - Polished Brass		
Cat. No.	Model	Fireplace Model
26M43	ADK35CMPB	SSBV-3530
81L35	ADK40CPB	SSBV-4035

Arch Door Kit - Brushed Stainless Steel		
Cat. No.	Model	Fireplace Model
26M44	ADK35CMBB	SSBV-3530
98L69	ADK40CBS	SSBV-4035



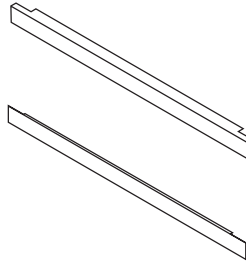
(ref. Form # 750,021M)

Arch Door Kits

The arch door kits are easy to install and do not require hardware to attach them to the standard door frame. The decorative arch kits can not be used in conjunction with the screen panel kit.

2- Piece Door Frame Kits				
Polished Brass		Brushed Stainless		Models Where Used
Cat. #	Model	Cat. #	Model	
26M88	2DFK35PB	26M91	2DFK35BS	SSBV-4035
26M89	2DFK40PB	26M92	2DFK40BS	SSBV-4035

(ref. Form # 750,098M)



2-Piece Door Trim Kits

These kits are designed to attach directly to the front face of the fireplace at the top and bottom edges of the glass enclosure panel.

Touch-Up Paint Kits (all models)		
Cat. No.	Model No.	Description
90L74	TPK-C	Touch-Up Paint (Charcoal)
98K67		Touch-Up Paint (Tan)

(TPK-C ref. Form # 504,216M)

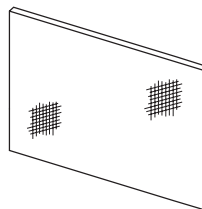


Touch-Up Paint Kit

Repair of minor scratches and discoloration of the appliance charcoal painted surfaces may be accomplished with the touch-up paint kit.

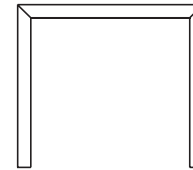
Screen Panel Kits		
Cat. No.	Model No.	Models Where Used
26M48	HG35M	SSBV-3530
26M49	HG40M	SSBV-4035

(ref. Form # 750,101M)

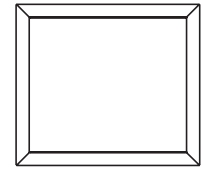


Screen Panel Kit

This easy to install optional Screen Panel installs over the standard glass enclosure panel to prevent contact with the hot glass surface. The Screen Panel cannot be used in conjunction with the arch door kit or door frame kit.



3-Piece Trim Kit

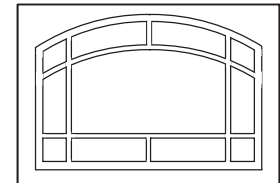


4-Piece Trim Kit

3-Piece Trim Kit		
Cat. No.	Model No.	Description
96K21	TK35PB3	35" Polished Brass, SSBV-3530
96K22	TK40PB3	40" Polished Brass, SSBV-4035
H1815	TK35BS3	35" Brush Stainless, SSBV-3530
H1816	TK40BS3	40", Brush Stainless, SSBV-4035
H4821	TK35C3	35" Charcoal, SSBV-3530
H4823	TK40C3	40", Charcoal, SSBV-4035

4 Piece Trim Kit		
Cat. No.	Model No.	Description
96K17	TK35PB4	35" 4 Piece Finish Trim Kit, Polished Brass, SSBV-3530
96K18	TK40PB4	40" 4 Piece Finish Trim Kit, Polished Brass, SSBV-4035

(ref. Form # 750,147M)



Decorative Arch Screen Panel Kit		
Cat. No.	Model No.	Description
H3593	DASPK35TI	35" Arch Screen Panel
H3594	DASPK40TI	40" Arch Screen Panel

(ref. Form # 750,199M)

Decorative Arch Screen Panel Kits

This one-piece decorative screen panel assembly fits on the face of the appliance over the glass doorframe and prevent contact with the hot glass surface.

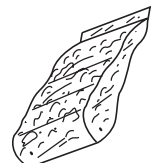
Decorative Firebox Accessories (all models)		
Cat. No.	Model No.	Description
88L53	FGE	Bag of Glowing Embers (1 oz. rockwool)
80L42	FDVS	Bag of Decorative Volcanic Stone

(FDVS ref. Form #750,010M)

Bag of Glowing Embers

Bag of Volcanic Stone

Replacement ember materials or volcanic stone are available for use with these appliances. Order kits as part of the periodic maintenance of the appliance.



REPLACEMENT PARTS LIST

Item #	Description	SSBV-3530		SSBV-4035	
		Part No.	Qty.	Part No.	Qty.
1	Hood, Charcoal	97K51	1	97K52	1
2	Louver Assembly, Top, Charcoal	H3376	1	H3377	1
3	* Louver Assembly, Bottom, Charcoal	H3379	1	H3380	1
4	Enclosure, Glass Front (Complete)	H4864	1	H3941	1
5	Nameplate, Superior (logo)	56L93	1	56L93	1
6	Latch	69L21	2	69L21	2
7	Log Set (Complete)	H3367	1	H3368	1
8	Burner Assembly	69L09	1	69L10	1
9	Burner Bracket, Bottom	H4890	2	H4890	2
	Burner Bracket, Top	H4892	1	H4892	1
10	Orifice, Main Burner - Natural Gas	37L70	1	18L40	1
10	Orifice, Main Burner - Propane Gas	99K79	1	37G00	1
11	Bag of Glowing Embers (Rockwool)	88L53	1	88L53	1
12	Bag of Decorative Volcanic Stone	80L42	1	80L42	1
13	Gas Line Flexible Connector, FFGC	93L32	1	93L32	1
14	Spill Switch (high limit disc)	62L16	1	13M22	1

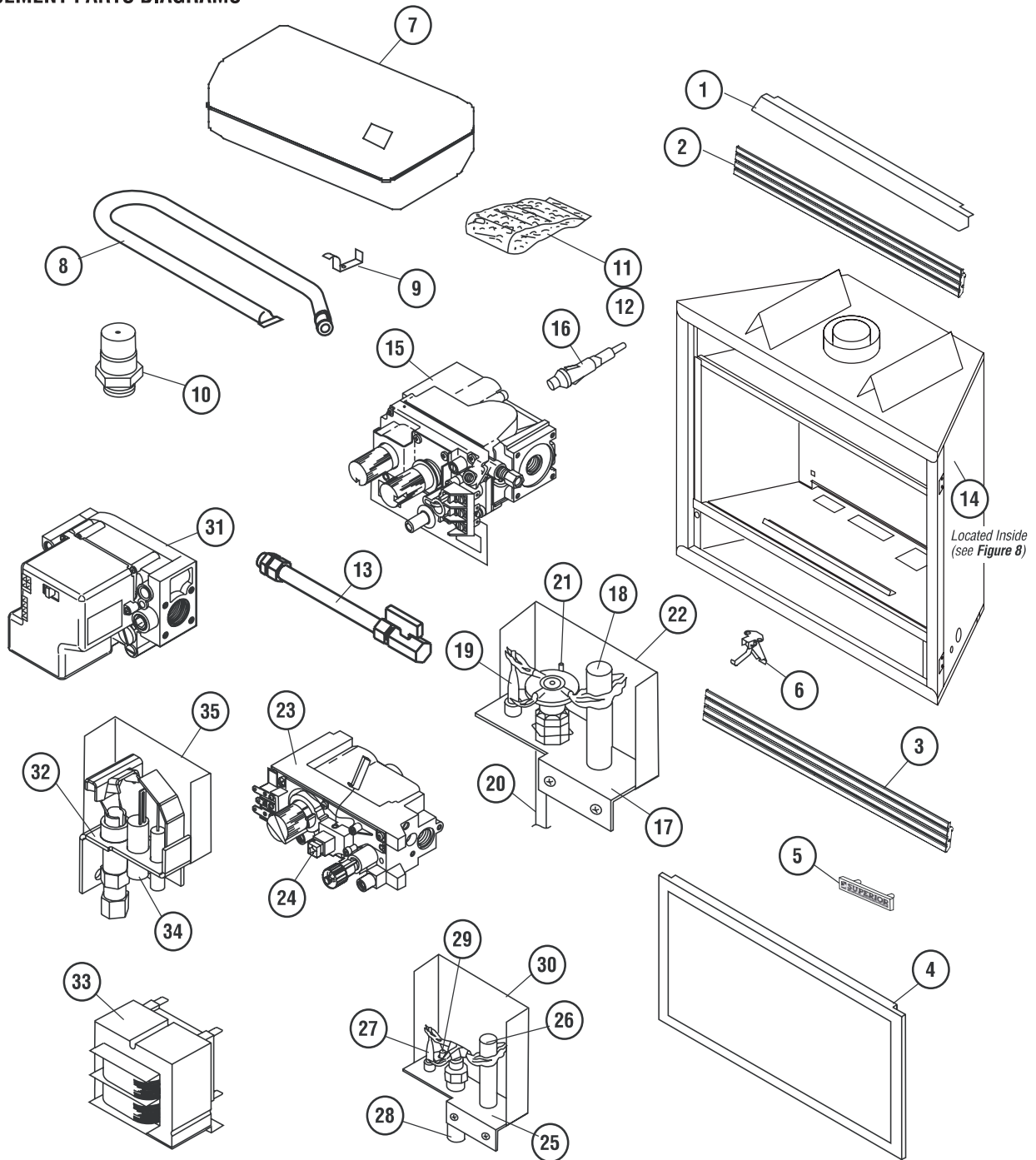
* Superior Nameplate Logo, 56L93, is not included.

Gas Controls - SIT Millivolt					
	Description	Natural Gas		Propane Gas	
		Part No.	Qty.	Part No.	Qty.
15	Gas Valve, SIT	43K07	1	88J53	1
16	Piezo Igniter (w/wire)	10K86	1	10K86	1
17	Pilot Assembly	69L17	1	69L18	1
18	Pilot Generator	60J79	1	60J79	1
19	Thermocouple	74L57	1	74L57	1
20	Pilot Tube	74L56	1	74L56	1
21	Electrode and Cable	74L58	1	74L58	1
22	Pilot Shield	H3737	1	H3737	1

Gas Controls - Honeywell Millivolt					
	Description	Natural Gas		Propane Gas	
		Part No.	Qty.	Part No.	Qty.
23	Gas Valve, Honeywell	24M12	1	82L87	1
24	Piezo Igniter	24M89	1	24M89	1
25	Pilot Assembly	67L70	1	67L70	1
26	Pilot Generator	60J79	1	60J79	1
27	Thermocouple	67L67	1	67L67	1
28	Pilot Tube	67L68	1	67L68	1
29	Electrode and Cable	67L87	1	67L87	1
30	Pilot Shield	H3737	1	H3737	1

Gas Controls - Honeywell Electronic					
	Description	Natural Gas		Propane Gas	
		Part No.	Qty.	Part No.	Qty.
31	Gas Valve, Honeywell	62L18	1	62L19	1
32	Pilot Assembly	62L14	1	62L15	1
33	Transformer	42J32	1	42J32	1
34	Igniter Assembly (Kit)	87L54	1	87L54	1
35	Pilot Shield	H1596	1	H1596	1

REPLACEMENT PARTS DIAGRAMS



NATIONAL FIREPLACE INSTITUTE

CERTIFIED
www.nficertified.org

We recommend that our gas hearth products be installed and serviced by professionals who are certified in the U.S. by the National Fireplace Institute® (NFI) as NFI Gas Specialists.

LHP reserves the right to make changes at any time, without notice, in design, materials, specifications, prices and also to discontinue colors, styles and products. Consult your local distributor for fireplace code information.