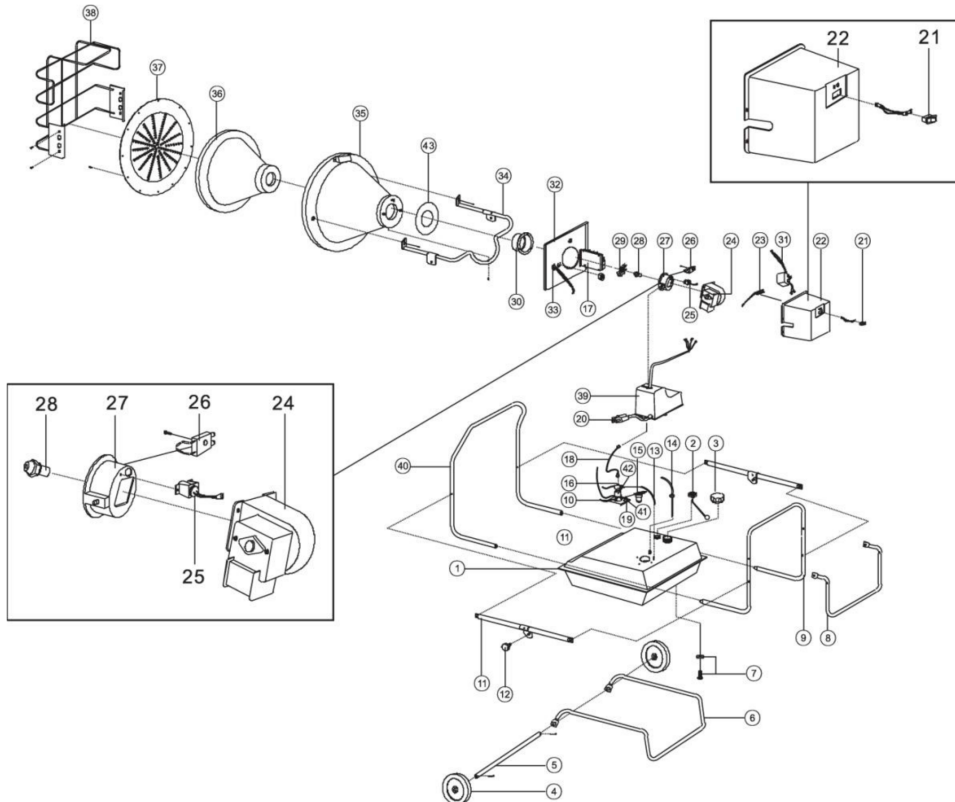




MH-0125-RM10 / MH-0125-RM10 (2012 Model Year)

FRAME ASSEMBLY



Id	Item #	Description	Quantity	Rev	Comments
1	68-3099	FUEL TANK ASSEMBLY			
2	68-3106	FUEL GAUGE ASSEMBLY			
3	68-3114	FUEL TANK CAP ASSEMBLY			
4	68-3214	WHEEL			
5	68-3172	AXLE			
6	68-3116	TANK LEG			
7	68-3117	DRAIN BOLT			
8	68-3118	TRANSPORT HANDLE			
9	68-3119	REAR FRAME HANDLE			
10	68-3122	SUPPORT PLATE			
11	68-3123	FRAME SUPPORT			
12	68-3124	HEIGHT ADJUSTMENT KNOB			
13	68-3127	RETURN FUEL LINE			

Id	Item #	Description	Quantity	Rev	Comments
14	68-3128	INTAKE FUEL LINE			
15	68-3136	FUEL FILTER ASSEMBLY			
16	68-3141	FUEL PUMP ASSEMBLY			
17	68-3142	MAIN PCB & FUSE			
18	68-3143	STAINLESS STEEL OUTPUT FUEL HOSE			
19	68-3162	TIP OVER SENSOR			
20	68-3145	POWER CORD			
21	68-3146	OPERATION SWITCH			
22	C/F	BACK COVER			
23	68-3147	PANEL SUB-PCB			
24	68-3149	BLOWER MOTOR ASSEMBLY			
25	68-3150	PHOTOCELL ASSEMBLY			
26	68-3151	SPARK PLUG			
27	68-3152	BURNER BODY			
28	68-3153	NOZZLE			
29	68-3154	BURNER BLADE			
30	68-3155	DIFFUSION CAP			
31	68-3148	IGNITOR			
32	C/F	BURNER SUPPORT PLATE			
33	68-3164	TEMPERATURE OVERHEAT SENSOR			
34	C/F	RADIANT CONE SUPPORT			
35	68-3156	RADIANT CONE			
36	68-3157	CERAMIC FIBER			
37	68-3158	HEAT PLATE			
38	68-3159	SAFETY GUARD			
39	68-3160	CONTROL BOX			
40	68-3161	FRONT FRAME HANDLE			
41	68-3163	TIP OVER SENSOR HARNESS			
42	68-3173	FUEL PUMP ADAPTER			
43	68-3218	RADIANT CONE GASKET			
KIT	68-3228	HARDWARE KIT			