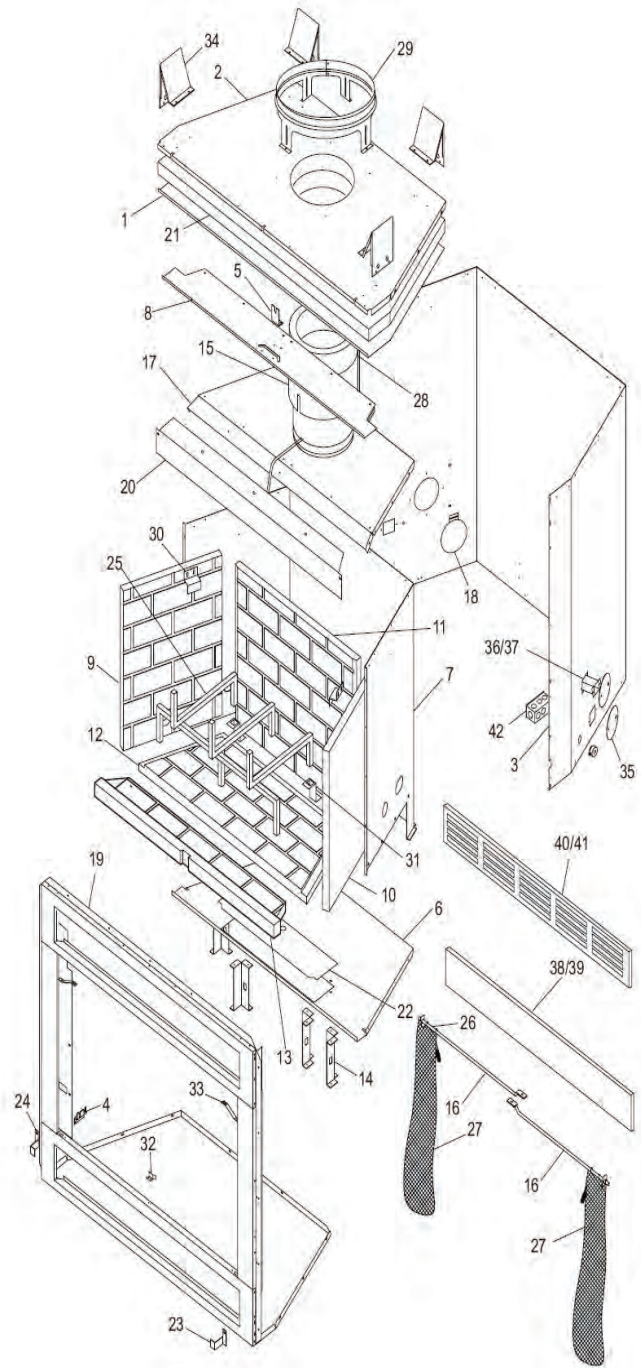


FMI Craftsman 36" Woodburning Fireplace

MODELS: C36, C36I, C36H, C36L, C36LI, C36LH

	Part Number	Description
1	**	Insulation Pan
2	**	Fireplace Top
3	**	Fireplace Surround
4	106642-01	Air Rod Retainer
5	106643-01	Damper Rod Retainer
6	**	Firebox Bottom
7	**	Firebox Surround
8	**	Air Separator
9	See Below	Left Refractory
10	See Below	Right Refractory
11	See Below	Rear Refractory
12	See Below	Bottom Rear Refractory
13	See Below	Bottom Front Refractory
14	**	Firebox Support Leg
15	**	Damper Can Collar
16	106691-01	Screen Rod (2 Required)
17	**	Firebox Top Assembly
18	**	Air Kit Door Assembly
19	**	Face Weldment
20	106948-01	Smoke Deflector
21	**	Fireplace Top Insulation
22	**	Access Panel
23	107854-01	Right Refractory Bracket
24	107854-02	Left Refractory Bracket
25	109910-01	Grate
26	11418	Push-On Nut
27	12105	Screen (2 Required)
28	**	Collar Insulation
29	20023	Chimney Starter Collar
30	20027	Refractory Retainer
31	106539-02	Grate Retainer
32	20088	Door Stop
33	20090	Spring Clip
34	20280	Top Standoff
35	21171	Conduit Plate Cover
36	21379	Gas Conduit
37	21380	Gas Conduit
38	106650-01	Bottom Louver Panel
39	106651-01	Bottom Smooth Panel
40	106684-01	Top Louver Panel
41	106651-01	Top Smooth Panel
42	110037-01	Electrical Duct Assembly
PARTS AVAILABLE - NOT SHOWN		
	14607	Rocker Switch



	Part No.	Description
Standard Brick Refractory		
9	106658-02	Left Refractory
10	106659-02	Right Refractory
11	106660-02	Rear Refractory
12	106661-02	Bottom Rear Refractory
13	106662-02	Bottom Front Refractory
Herringbone Brick Refractory		
9	108164-02	Left Refractory
10	108165-02	Right Refractory
11	108166-02	Rear Refractory
12	108167-02	Bottom Rear Refractory
13	108168-02	Bottom Front Refractory

** Not Field Replaceable Part