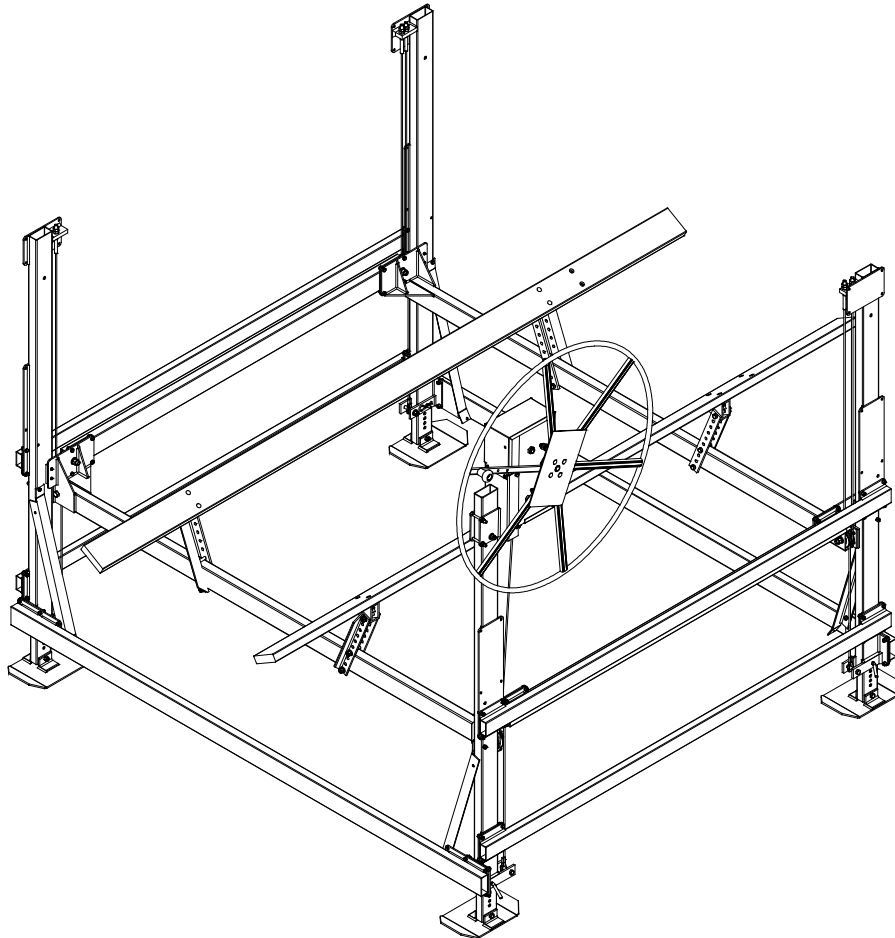




# VL3500 VERTICAL LIFT INSTRUCTIONS



REIMANN & GEORGER CORPORATION  
MARINE PRODUCTS  
P/N 6113631

BUFFALO, NY  
3/11/16

## 7 PARTS LISTS

Each reference number or letter in the following parts lists can be matched with the reference number or letter referred to in both the text and illustrations of Chapter 3, Installation and Setup.



### **WARNING:**

**FAILURE TO APPLY A SUITABLE LUBRICANT TO THE MATING SURFACES OF STAINLESS STEEL THREADED FASTENERS MAY CAUSE GALLING AND/OR SEIZING OF ASSEMBLY.**

### 7.1 VL3.5K LIFTS

#### 7.1.1 #3689315 VL35108 LIFT W/ R18LT WINCH

REF #	PART #	QTY	DESCRIPTION
	3689336	1	VL3.5K 108/116 Common Bundle 1 of 2 See section 7.2.1
	3689342	1	VL35108 Bundle 2 of 2 See Section 7.2.2
	3689354	1	VL 3.5-4.5K Hardware Carton of Parts See Section 7.7
	3704983	1	R18LT W/ Mounting Hardware See Section 7.7

#### 7.1.2 #3689303 VL35108 LIFT W/ LORENZ WINCH

REF #	PART #	QTY	DESCRIPTION
	3689336	1	VL3.5K 108/116 Common Bundle 1 of 2 See section 7.3.1
	3689342	1	VL35108 Bundle 2 of 2 See Section 7.3.2
	3689354	1	VL 3.5-4.5K Hardware Carton of Parts See Section 7.7
	3789302	1	VL3.5k Lorenz Winch Carton of Parts See Section 7.7

#### 7.1.3 #3689318 VL35108 TALL LIFT W/ R18LT WINCH

REF #	PART #	QTY	DESCRIPTION
	3689339	1	VL3.5K 108T/116T Common Bundle 1 of 2 See section 7.3.1
	3689345	1	VL35108T Common Bundle 2 of 2 See Section 7.3.2
	3689354	1	VL Hardware 3.5-4.5K Hardware Carton of Parts See Section 7.7
	3704983	1	R18LT W/ Mounting Hardware See Section 7.7

#### 7.1.4 #3689306 VL35108 TALL LIFT W/ LORENZ WINCH

REF #	PART #	QTY	DESCRIPTION
	3689339	1	VL3.5K 108T/116T Common Bundle 1 of 2 See section 7.4.1
	3689345	1	VL35108T Common Bundle 2 of 2 See Section 7.4.2
	3689354	1	VL 3.5-4.5K Hardware Carton of Parts See Section 7.7
	3789302	1	VL3.5K Lorenz Winch Carton of Parts See Section 7.8

#### 7.1.5 #3689321 VL35116 LIFT W/ R18LT WINCH

REF #	PART #	QTY	DESCRIPTION
	3689336	1	VL3.5K 108/116 Common Bundle 1 of 2 See section 7.5.1
	3689348	1	VL35116 Bundle 2 of 2 See Section 7.5.2
	3689354	1	VL 3.5-4.5K Hardware Carton of Parts See Section 7.7
	3704983	1	R18LT W/ Mounting Hardware See Section 7.7

**7.1.6 #3689309 VL35116 LIFT W/ LORENZ WINCH**

REF #	PART #	QTY	DESCRIPTION
	3689336	1	VL3.5K 108/116 Common Bundle 1 of 2 See section 7.3.1
	3689348	1	VL35116 Bundle 2 of 2 See Section 7.3.2
	3689354	1	VL 3.5-4.5K Hardware Carton of Parts See Section 7.7
	3789302	1	VL3.5K Lorenz Winch Carton of Parts See Section 7.7

**7.1.7 #3689324 VL35116 TALL LIFT W/ R18LT WINCH**

REF #	PART #	QTY	DESCRIPTION
	3689339	1	VL3.5K 108T/116T Common Bundle 1 of 2 See section 7.3.1
	3689351	1	VL35116T Bundle 2 of 2 See Section 7.3.2
	3689354	1	VL 3.5-4.5K Hardware Carton of Parts See Section 7.7
	3704983	1	R18LT W/ Mounting Hardware See Section 7.7

**7.1.8 #3689312 VL35116 TALL LIFT W/ LORENZ WINCH**

REF #	PART #	QTY	DESCRIPTION
	3689339	1	VL3.5K 108T/116T Common Bundle 1 of 2 See section 7.3.1
	3689351	1	VL35116T Bundle 2 of 2 See Section 7.3.2
	3689354	1	VL Hardware 3.5-4.5K Hardware Carton of Parts See Section 7.7
	3789302	1	VL3.5K Lorenz Winch Carton of Parts see section 7.7

**7.2 VL 35108 BUNDLES**

**7.2.1 #3689336 VL3.5K 108/116 Common Bundle 1 of 2**

REF #	PART #	QTY	DESCRIPTION
1	3603809	4	VL FOOT PLATE ASSY–SMALL
2	3689702	4	VL LOWER DIAGONAL BRACKET FORMED – 31-1/4
3	3608003	1	VL VERTICAL LEG (A) ASSY 1.6–4K
4	3635205	1	VL VERTICAL LEG (B) ASSY 3K
5	3608005	1	VL VERTICAL LEG (C) ASSY 1.6–4K
6	3635210	1	VL VERTICAL LEG (D) ASSY 3.5K

**7.2.2 #3689342 VL 35108 Common Bundle 2 of 2**

REF #	PART #	QTY	DESCRIPTION
7	3603823	4	VL HORIZONTAL TUBE 100” 1.6-3.5K
8	3689708	2	VL HORIZONTAL TUBE 116” (6X10-1/2)
9	3603779	1	VL SPREADER TUBE ASSY (AD) 1.6-3.5K
10	3603777	1	VL SPREADER TUBE ASSY (BC) 1.6-3.5K
11	3603849	1	VL LOAD TUBE ASSY A-B 35108
12	3603851	1	VL LOAD TUBE ASSY C-D 35108

**7.3 VL 35108 TALL BUNDLES**

**7.3.1 #3689339 VL 3.5K 108T/116T Common Bundle 1 of 2**

REF #	PART #	QTY	DESCRIPTION
1	3603809	4	VL FOOT PLATE ASSY-SMALL
2	3689705	4	VL LOWER DIAGONAL BRACKET FORMED – 40-3/8
3	3647505	1	VL VERTICAL LEG (A) 3.5KT – 5KSRT
4	3635215	1	VL VERTICAL LEG (B) ASSY 3.5KT
5	3647515	1	VL VERTICAL LEG (C) 3.5KT – 5KSRT
6	3635220	1	VL VERTICAL LEG (D) ASSY 3.5KT

**7.3.2 #3689345 VL35108T Bundle 2 of 2**

REF #	PART #	QTY	DESCRIPTION
7	3603823	4	VL HORIZONTAL TUBE 100” 1.6-3.5K
8	3689708	2	VL HORIZONTAL TUBE 116” (6X10-1/2)
9	3601045	1	VL SPREADER TUBE ASSY (AD) 3.5KT
10	3601050	1	VL SPREADER TUBE ASSY (BC) 3.5KT
11	3601035	1	VL LOAD TUBE ASSY A-B 35108T
12	3601040	1	VL LOAD TUBE ASSY C-D 35108T

**7.4 VL35116 BUNDLES**

**7.4.1 #3689336 VL3.5K 108/116 Common Bundle 1 of 2**

REF #	PART #	QTY	DESCRIPTION
1	3603809	4	VL FOOT PLATE ASSY-SMALL
2	3689702	4	VL LOWER DIAGONAL BRACKET FORMED – 31-1/4
3	3608003	1	VL VERTICAL LEG (A) ASSY 1.6-4K
4	3635205	1	VL VERTICAL LEG (B) ASSY 3K
5	3608005	1	VL VERTICAL LEG (C) ASSY 1.6-4K
6	3635210	1	VL VERTICAL LEG (D) ASSY 3.5K

**7.4.2 #3689348 VL35116 Bundle 2 of 2**

REF #	PART #	QTY	DESCRIPTION
7	3603823	4	VL HORIZONTAL TUBE 100” 1.6-3.5K
8	3689711	2	VL HORIZONTAL TUBE 124” (6X10-1/2)
9	3603779	1	VL SPREADER TUBE ASSY (AD) 1.6-3.5K
10	3603777	1	VL SPREADER TUBE ASSY (BC) 1.6-3.5K
11	3603946	1	VL LOAD TUBE ASSY A-B 45116
12	3603945	1	VL LOAD TUBE ASSY C-D 45116

**7.5 VL35116 TALL BUNDLES**

**7.5.1 #3689339 VL 3.5K 108T/116T Common Bundle 1 of 2**

REF #	PART #	QTY	DESCRIPTION
1	3603809	4	VL FOOT PLATE ASSY-SMALL
2	3689705	4	VL LOWER DIAGONAL BRACKET FORMED – 40-3/8
3	3647505	1	VL VERTICAL LEG (A) 3.5KT – 5KSRT
4	3635215	1	VL VERTICAL LEG (B) ASSY 3.5KT
5	3647515	1	VL VERTICAL LEG (C) 3.5KT – 5KSRT
6	3635220	1	VL VERTICAL LEG (D) ASSY 3.5KT

**7.5.2 #3689351 VL35116T Bundle 2 of 2**

REF #	PART #	QTY	DESCRIPTION
7	3603823	4	VL HORIZONTAL TUBE 100” 1.6-3.5K
8	3689711	2	VL HORIZONTAL TUBE 124” (6X10-1/2)
9	3601045	1	VL SPREADER TUBE ASSY (AD) 3.5KT
10	3601050	1	VL SPREADER TUBE ASSY (BC) 3.5KT
11	3647425	1	VL LOAD TUBE ASSY A-B 45116T
12	3647430	1	VL LOAD TUBE ASSY C-D 45116T

**7.6 VL EXTENSION LEGS**

REF #	PART #	QTY	DESCRIPTION
13	3623831	2	VL EXTENSION LEGS – 29-1/2” – PAIR
-	3623911	2	VL EXTENSION LEGS – 4’ – PAIR W/ BRACING
-	3623914	2	VL EXTENSION LEGS – 6’ – PAIR W/ BRACING
-	3623916	2	VL EXTENSION LEGS – 8’ – PAIR W/ BRACING
-	3623918	2	VL EXTENSION LEGS – 10’ – PAIR W/ BRACING
		1	VL LOAD TUBE ASSY C-D 45116T

**7.7 VL 3.5K BUNKS**

REF #	PART #	QTY	DESCRIPTION
	3670655	1	VL3.5K WOOD BUNKS W/ 13” BRACKETS & HARDWARE
	3670656	1	VL3.5K WOOD BUNKS W/ 19 ½” BRACKETS & HARDWARE
	3636005	1	VL3.5K ALUM/VINYL BUNKS W/ 13” BRKTS & HRDWR
	3636030	1	VL3.5K ALUM/VINYL BUNKS W/ 19 ½” BRKTS & HRDWR
	3604015	1	VL3.5K WD BNKS W/ 35” BRKTS & HRDWR FOR C.D. BOAT
	3604030	1	VL3.5K ALUM/VINYL BNKS W/ 35” BRKTS & HRDWR

7.8 HANDWHEEL CARTONS

7.8.1 #3703812 VL HANDWHEEL 4' 3-6K CARTON

REF #	PART #	QTY	DESCRIPTION
17	3703803	1	VL HANDWHEEL 4'
	<b>3703800</b>	<b>1</b>	<b>HANDWHEEL MOUNTING BAG OF BOLTS R18 CONSISTING OF:</b>
P	5896217	4	3/8-16 X 1-1/4 CARRIAGE BOLT
M	5840103	4	3/8-16 LOCKNUT NYLOCK ALUM
F	5896400	1	1/2" WASHER SAE SS
Q	5896192	1	1/2-20 ACORN NUT
G	5806244	1	1/2 WASHER SPLIT LOCK
25	3709007	1	CW R15/R18 HANDWHEEL ADAPTER
	<b>3671010</b>	<b>1</b>	<b>HANDWHEEL SPINNER KNOB ASSY SS CONSISTING OF:</b>
B	5896406	3	3/8" SS SAE FLAT WASHER
R	5896255	1	3/8-16 X 3 SS HEX BOLT
D	5896377	2	3/8-16 SS HEX NUT
18	3603670	1	HANDWHEEL SPINNER KNOB

7.8.2 #3789308 VL HANDWHEEL 4' CARTON -- LORENZ

REF #	PART #	QTY	DESCRIPTION
17	3703803	1	VL HANDWHEEL 4'
	<b>3789311</b>	<b>1</b>	<b>HANDWHEEL MOUNTING BAG OF BOLTS -- LORENZ CONSISTING OF:</b>
P	5896217	4	3/8-16 X 1-1/4 CARRIAGE BOLT
M	5840103	4	3/8-16 LOCKNUT NYLOCK ALUM
T	5896222	1	5/16-18 X 3/4 SS HEX BOLT
U	5803712	1	13/32"ID X 1"OD X 3/16" THK FLAT WASHER
25	3712250	1	D/L & LOR HANDWHEEL ADAPTER
	<b>3671010</b>	<b>1</b>	<b>HANDWHEEL SPINNER KNOB ASSY SS CONSISTING OF:</b>
B	5896406	3	3/8" SS SAE FLAT WASHER
R	5896255	1	3/8-16 X 3 SS HEX BOLT
D	5896377	2	3/8-16 SS HEX NUT
18	3603670	1	HANDWHEEL SPINNER KNOB

7.9 #3689354 VL3.5K COMMON HARDWARE

REF #	PART #	QTY	DESCRIPTION
I	3629961	1	VL LEG PIN SET 3" ( 4 PCS)
	6403794	4	2 X 4 BLACK RIBBED PLUG
	6403795	4	1 ½ X 3 BLACK RIBBED PLUG
	<b>3606541</b>	<b>1</b>	<b>VL CABLE HARDWARE 3.5-4.5K &amp; 5KSR BAG OF BOLTS CONSISTING OF:</b>
E	5896290	4	1/2-13 X 3 1/2 SS HEX BOLT
H	5896379	4	1/2-13 SS HEX NUT
F	5896400	4	1/2" SS SAE FLAT WASHER
G	5806244	4	1/2" SS SPLIT LOCK WASHER
O	5896397	10	9/16-12 SS HEX NUT
	<b>3689357</b>	<b>1</b>	<b>VL 3.5K CORNER HARDWARE COMMON BAG OF BOLTS CONSISTING OF:</b>
N	5836107	1	1/2-13 ALUMINUM NYLOCK HEX NUT
M	5840103	19	3/8-16 ALUMINUM NYLOCK HEX NUT
J	5896247	18	3/8-16 X 1 SS HEX BOLT
K	5896255	1	3/8-16 X 3 SS HEX BOLT
L	5896288	1	1/2-13 X 3 SS HEX BOLT

7.10 WINCH CARTONS

7.10.1 #3704983 CW R18LT W/ MOUNTING HARDWARE

REF #	PART #	QTY	DESCRIPTION
15		1	CW R18LT WINCH
19	3701501	1	R18 BRAKE RATCHET – 10 TOOTH
20	3709047	1	R18 PAWL ASSEMBLY
21	5805936	1	R18 PAWL SPRING
22	3705916	1	R18 PAWL SPACER
23	5100601	1	7/8" ID BRONZE THRUST BEARING
24	6703833	1	4" OD BRAKE DISC
	<b>3785259</b>	<b>1</b>	<b>CW R18LT MOUNTING HARDWARE SS BAG OF BOLTS CONSISTING OF:</b>
	5806187	1	3/16 L HANDLE HEX WRENCH
A	5896257	2	3/8-16 X 3 1/2 SS HEX BOLT
D	5896377	2	3/8-16 SS HEX NUT
B	5896406	2	3/8" SAE SS FLAT WASHER
C	5806243	2	3/8" SS SPLIT LOCK WASHER
E	5896290	1	1/2-13 X 3 1/2 SS HEX BOLT
H	5896379	1	1/2-13 SS HEX NUT
F	5896400	1	1/2" SAE SS FLAT WASHER
G	5806244	1	1/2" SS SPLIT LOCK WASHER

**7.10.2 #3789302 VL3.5K LORENZ WINCH SS CARTON OF PARTS**

REF #	PART #	QTY	DESCRIPTION
15	7708033	1	LORENZ WINCH
14	3709334	1	VL3.5-4.5K LORENZ WINCH MOUNTING BRACKET
S	5806313	2	3/8-16 X 1 FLAT HEAD SOCKET SCREW
V	5897016	2	3/8-16 SS NYLOCK HEX NUT
	<b>3789305</b>	<b>1</b>	<b>LORENZ WINCH MOUNT SS BAG OF BOLTS CONSISTING OF:</b>
W	5803612	1	1/2-13 SILICON BRONZE HEX NUT
X	5803638	2	3/8-16 SILICON BRONZE HEX NUT
	5806184	1	5/32 L HANDLE HEX WRENCH
C	5806243	2	3/8" SS SPLIT LOCK WASHER
G	5806244	1	1/2" SS SPLIT LOCK WASHER
A	5896257	2	3/8-16 X 3 1/2 SS HEX BOLT
E	5896290	1	1/2-13 X 3 1/2 SS HEX BOLT
F	5896400	1	1/2" SS SAE FLAT WASHER
B	5896406	2	3/8" SS SAE FLAT WASHER

**7.11 VL3.5K PLATFORM HARDWARE (INCLUDED IN SPREADER ASSEMBLIES – SEE SECTIONS 7.2-7.5)**

REF #	PART #	QTY	DESCRIPTION
AA	5896306	2	5/8-11 X 3-1/2 SS HEX BOLT (QTY PER SPREADER ASSY)
BB	5896414	2	5/8 SAE FLAT SS WASHER (QTY PER SPREADER ASSY)
CC	5806246	2	5/8 SPLIT LOCK SS WASHER (QTY PER SPREADER ASSY)
DD	5896380	2	5/8 SS HEX NUT (QTY PER SPREADER ASSY)

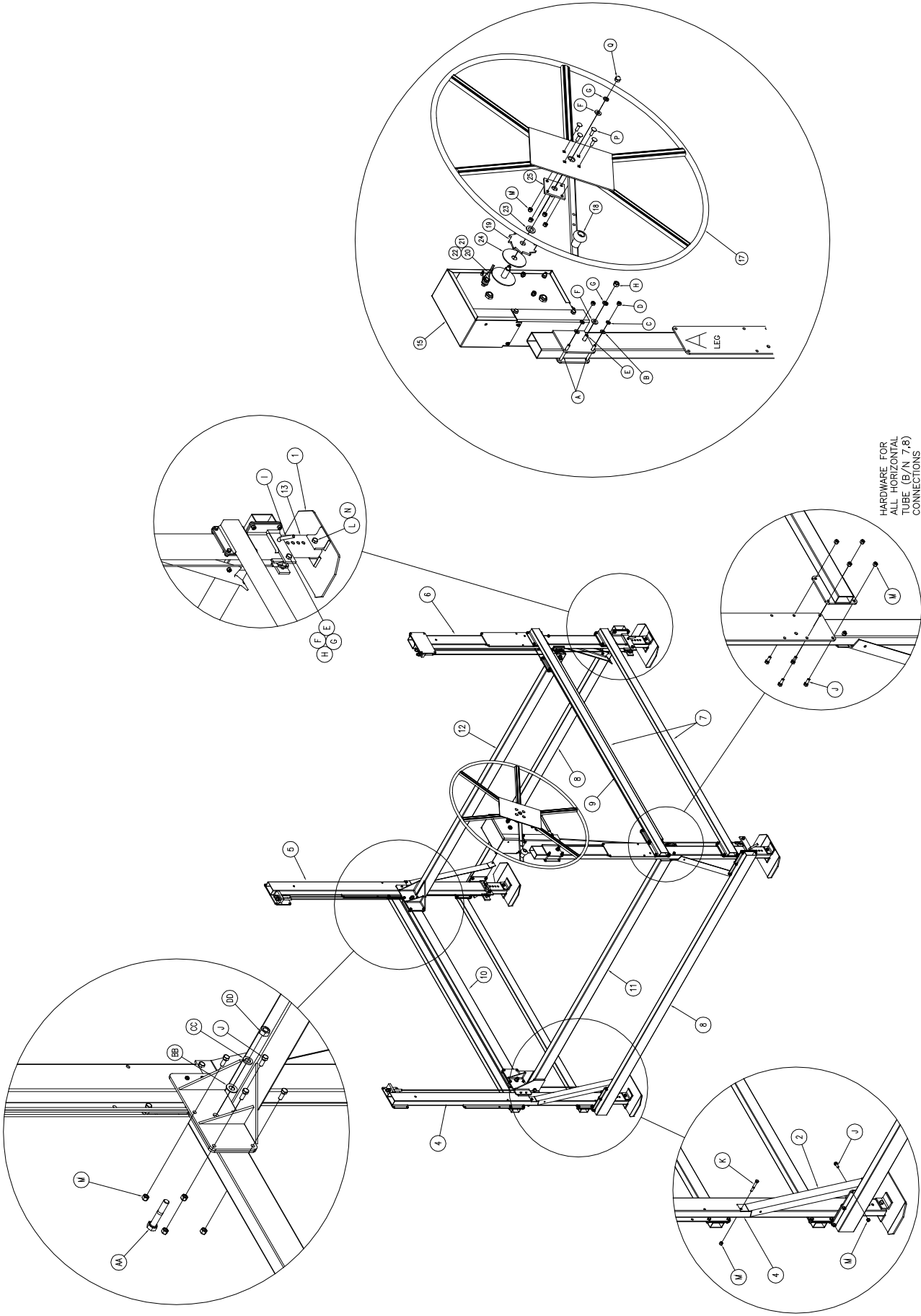
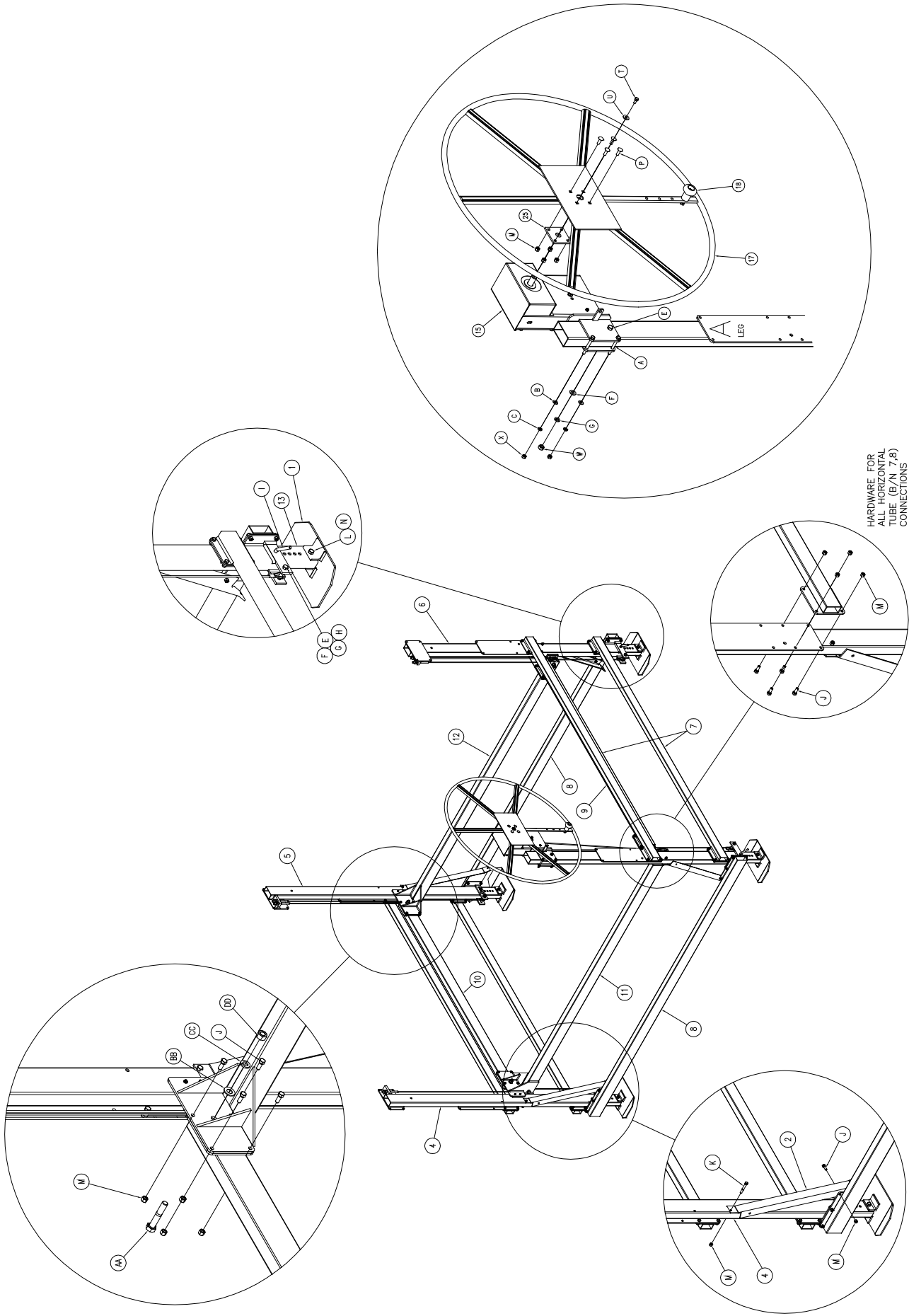


Figure 7-1  
Complete VL 3.5K assembly w/ R18 Winch.



**Figure 7-2**  
**Complete VL 3.5K Assembly w/ Lorenz Winch.**