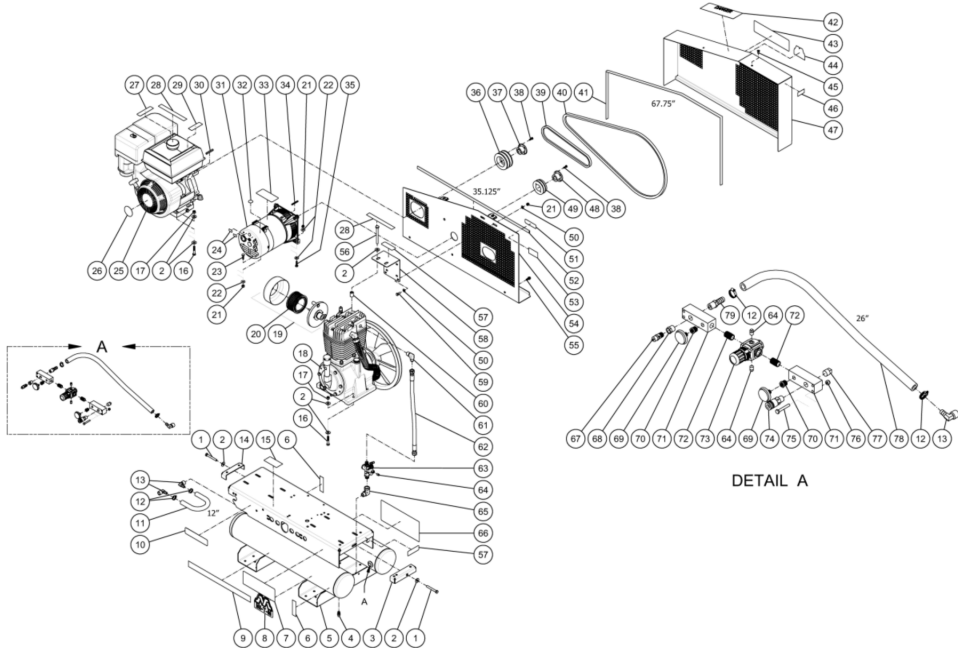




AG2-SH13-08M / AG2-SH13-08M (sn:0-99999999)

TANK ASSEMBLY



Id	Item #	Description	Quantity
1	27-0576	BOLT	2
2	28-0023	WASHER	20
3	20-0812A18	TIGHTENER BRACKET	1
4	23-0312	PETCOCK	2
5	12-0173A18	TANK ASSEMBLY	1
6	N/A	DECAL - TANK DRAIN (SEE 71-2002)	2
7	N/A	DECAL - MAINTENANCE (SEE 71-2002)	1
8	N/A	DECAL - MI-T-M (SEE 71-2002)	1
9	N/A	DECAL - MI-T-M STRIPE (SEE 71-2002)	1
10	N/A	DECAL- SPEC'S (SEE 71-2002)	1
11	15-0007	HOSE *(ONE FOOT REQUIRED)	1
12	42-0011	HOSE CLAMP	4
13	23-0418	HOSE BARB	3
14	20-0650A18	TIGHTENER BRACKET	1
15	N/A	DECAL- SILVER STICKER	1
16	27-0121	BOLT	8

Id	Item #	Description	Quantity
17	30-0159	LOCKNUT	8
18	3-0298	PUMP	1
19	19-0237	FILTER CANISTER	1
20	19-0226	AIR FILTER	1
21	30-0157	LOCKNUT	5
22	28-0022	WASHER	5
23	27-0067	BOLT	1
24	N/A	DECAL - 115 VOLT (SEE 71-2002)	2
25	1-0086	ENGINE - HONDA 390CC RECOIL	1
25	1-0208	ENGINE - KOHLER 429CC RECOIL	1
25	1-0199	ENGINE - MI-T-M 420CC RECOIL	1
25	1-0245	ENGINE - VANGUARD 14HP RECOIL	1
26	34-2865	DECAL - REWIND 420CC (SM14)	1
27	N/A	DECAL - RISK OF BURNS (SEE 71-2002)	1
28	N/A	DECAL - CHECK OIL	2
29	N/A	DECAL - RISK OF FIRE (SEE 71-2002)	1
30	43-0078	KEY (SM14, SV14)	1
31	32-0872	GENERATOR	1
32	N/A	DECAL- GROUND PICTORIAL (SEE 71-2002)	1
33	N/A	DECAL - RISK OF SHOCK (SEE 34-2002)	1
34	43-0073	KEY	1
35	27-0068	BOLT	2
36	10-0042	SHEAVE	1
37	9-0005	BUSHING	1
38	27-0015	BOLT	4
39	11-0016	BELT	1
40	11-0075	BELT	1
41	33-0020	EDGING *(SIX FEET REQUIRED)	1
42	N/A	DECAL- WARNING (SEE 71-2002)	1
43	N/A	DECAL - OPERATIONS (SEE 71-2002)	1
44	N/A	DECAL - #2M (SEE 71-2002)	1
45	33-0197	FASTENER	2
46	34-3553	DECAL - MADE IN USA	1
47	6-0103A18	BELTGUARD FRONT	1
48	9-0033	BUSHING	1
49	10-0080	SHEAVE	1
50	28-0003	WASHER	4
51	N/A	DECAL - WARNING (SEE 71-2002)	1
52	33-0020	EDGING *(THREE FEET REQUIRED)	1

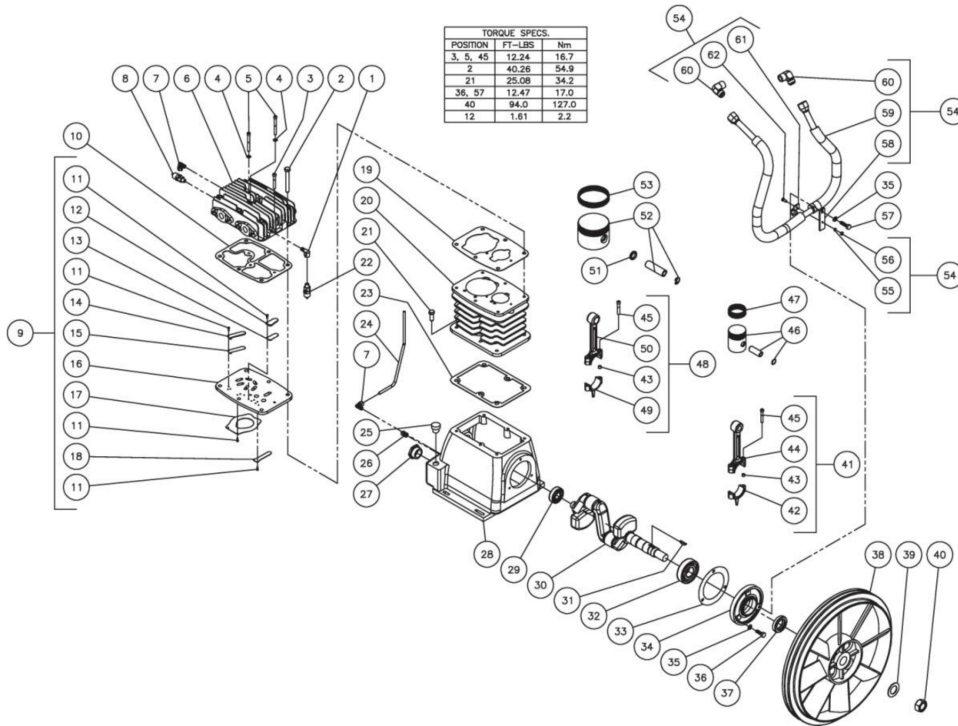
Id	Item #	Description	Quantity
53	34-3657	DECAL- MOBILE PRO	1
54	6-0195A18	BELTGUARD BACK	1
55	27-9524	BOLT	3
56	27-8071	BOLT	2
57	N/A	DECAL - RISK OF BURNS (SEE 71-2002)	2
58	13-0189A18	BRACKET	1
59	27-0066	BOLT	2
60	33-0425	SPACER	2
61	24-0074	90° ELBOW FITTING	1
62	15-0275	HOSE	1
63	22-0270	PILOT VALVE	1
64	24-0082	PLUG	3
65	24-0006	ELBOW	1
66	N/A	DECAL - OPERATIONS (SEE 71-2002)	1
67	22-0267	PRESSURE RELIEF VALVE	1
68	23-0017	REDUCER	1
69	22-0271	PRESSURE GAUGE	2
70	23-0111	REDUCER	2
71	51-0033	MANIFOLD BLOCK	2
72	24-0175	NIPPLE	2
73	22-0231	REGULATOR	1
74	17-0068	QC SOCKET	1
75	27-0019	BOLT	4
76	30-0155	LOCKNUT	4
77	24-0034	PLUG	1
78	15-0007	HOSE *(THREE FEET REQUIRED)	1
79	23-0105	HOSE BARB	1
	71-2002	DECAL SET/AG1/AG2	1

*MUST ORDER IN ONE FOOT LENGTHS



AG2-SH13-08M / AG2-SH13-08M (sn:0-99999999)

PUMP ASSEMBLY



Id	Item #	Description	Quantity
1	23-0118	ELBOW	1
2	27-0576	BOLT	6
3	27-9559	SCREW	1
4	N/A Sep.	FLAT WASHER (SEE 70-0364 OR 70-0371)	2
5	27-9558	SCREW	1
6	46-1119	CYLINDER HEAD	1
7	23-0316	ELBOW	2
8	22-0362	LOW PRESSURE SAFETY VALVE	1
9	46-1094	VALVE PLATE (INC. 11-18)	1
10	N/A Sep.	VALVE PLATE GASKET (SEE 70-0361 OR 70-0366)	1
11	27-9561	SCREW	12
12	N/A Sep.	VALVE STOP 1 (SEE 46-1094 OR 70-0366)	2
13	N/A Sep.	VALVE 1 (SEE 46-1094 OR 70-0366)	2
14	N/A Sep.	VALVE STOP 2 (SEE 46-1094 OR 70-0366)	2

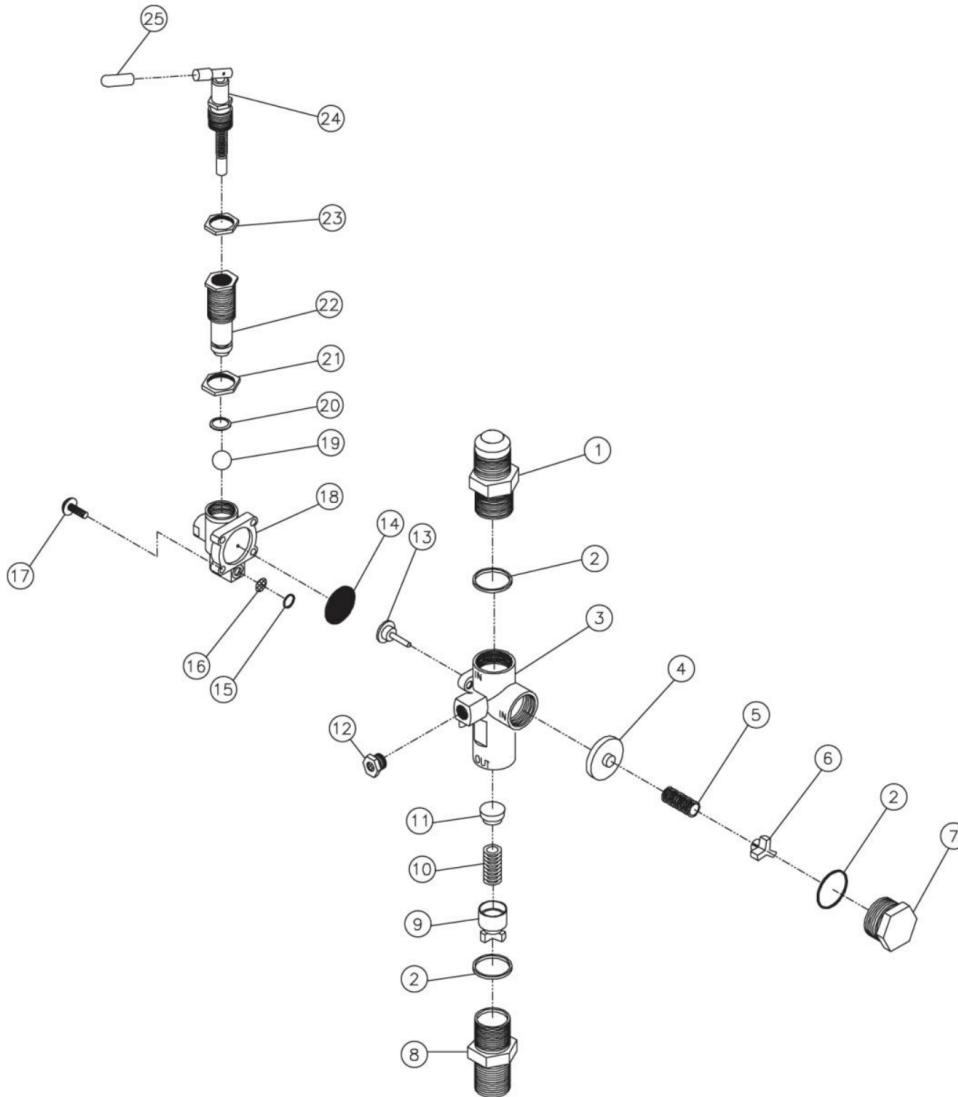
Id	Item #	Description	Quantity
15	N/A Sep.	VALVE 2 (SEE 46-1094 OR 70-0366)	2
16	N/A Sep.	VALVE PLATE (SEE 46-1094)	1
17	N/A Sep.	VALVE 3 (SEE 46-1094 OR 70-0366)	1
18	N/A Sep.	VALVE 4 (SEE 46-1094 OR 70-0366)	1
19	N/A Sep.	VALVE PLATE GASKET (SEE 70-0361 OR 70-0366)	1
20	46-1120	CYLINDER	1
21	27-0117	BOLT	6
22	22-0361	HIGH PRESSURE SAFETY VALVE	1
23	N/A Sep.	CRANKCASE GASKET (SEE 70-0361)	1
24	33-0415	CRANKCASE BREATHER TUBE	1
25	46-1121	OIL FILL PLUG	1
26	24-0009	PLUG	1
27	46-1098	OIL SIGHT GLASS	1
28	46-1122	CRANKCASE	1
29	48-0081	BEARING	1
30	46-1123	CRANKSHAFT	1
31	43-0112	KEY	1
32	48-0082	BEARING	1
33	N/A Sep.	FLANGE GASKET (SEE 70-0361)	1
34	38-0062	FLANGE	1
35	29-0007	LOCKWASHER	3
36	27-0067	BOLT	2
37	26-0274	OIL SEAL	1
38	10-0124	FLYWHEEL	1
39	N/A	WASHER	1
40	N/A	NUT	1
41	70-0381	CONNECTING ROD	1
42	N/A Sep.	CONNECTING ROD CAP (SEE 70-0381)	1
43	N/A Sep.	CONNECTING ROD GUIDE BUSHING (SEE 70-0381 OR 70-0382)	4
44	N/A Sep.	CONNECTING ROD (SEE 70-0381)	1
45	N/A Sep.	BOLT (SEE 70-0381 OR 70-0382)	4
46	46-1101	PISTON	1
47	70-0362	RING KIT	1
48	70-0382	LOW PRESSURE CONNECTING ROD KIT	1
49	N/A Sep.	LOW PRESSURE ROD CAP (SEE 70-0382)	1
50	N/A Sep.	LOW PRESSURE ROD (SEE 70-0382)	1
51	9-0078	SPACER BUSHING	2
52	46-1102	PISTON	1
53	70-0363	RING KIT	1

Id	Item #	Description	Quantity
54	70-0370	INTERCOOLER KIT	1
55	N/A Sep.	LOCKWASHER (SEE 70-0365 OR 70-0370)	1
56	30-6001	NUT	1
57	27-0068	BOLT	1
58	N/A Sep.	INTERCOOLER BRACKET ASSEMBLY (SEE 70-0370)	1
59	N/A Sep.	INTERCOOLER (SEE 70-0370)	1
60	23-0430	ELBOW	2
61	N/A Sep.	INTERCOOLER CLAMP ASSEMBLY (SEE 70-0365 OR 70-0370)	1
62	27-8805	SCREW	1
KIT	70-0361	GASKET (INC. 10, 19, 23, 33)	
KIT	70-0362	RING (INC. 47)	
KIT	70-0363	RING (INC. 53)	
KIT	70-0365	BRACKET ASSEMBLY (INC. 55-56, 61-62)	
KIT	70-0366	GASKET VALVE (INC. 10-15, 17-19)	
KIT	70-0370	INTERCOOLER (INC. 55-56, 58-62)	
KIT	70-0382	LOW PRESSURE CONNECTING ROD (INC. 43, 45, 49, 50)	
KIT	70-0381	HIGH PRESSURE CONNECTING ROD (INC. 42-45)	



AG2-SH13-08M / AG2-SH13-08M (sn:0-99999999)

PILOT VALVE



Id	Item #	Description	Quantity
1	N/A	INLET PORT FITTING	1
2	N/A Sep.	O-RING (SEE 70-0241)	3
3	N/A	MAIN BODY	1
4	N/A Sep.	PISTON ASSEMBLY-UNLOADER VALVE (SEE 70-0241)	1
5	N/A Sep.	SPRING-UNLOADER VALVE (SEE 70-0241)	1
6	N/A	SPRING SEAT-UNLOADER VALVE	1
7	N/A	CAP	1

Id	Item #	Description	Quantity
8	N/A	DISCHARGE PORT FITTING	1
9	N/A	SPRING SEAT ASSEMBLY-CHECK VALVE	1
10	N/A Sep.	SPRING-CHECK VALVE (SEE 70-0241)	1
11	N/A Sep.	PISTON-CHECK VALVE (SEE 70-0241)	1
12	23-0419	MUFFLER	1
13	N/A Sep.	STEM UNLOADER (SEE 70-0241)	1
14	N/A Sep.	DIAPHRAM (SEE 70-0241)	1
15	N/A Sep.	O-RING (SEE 70-0241)	1
16	N/A Sep.	SCREEN (SEE 70-0241)	1
17	N/A	SCREW W/WASHER	4
18	N/A	PILOT BODY	1
19	N/A Sep.	BALL (SEE 70-0241)	1
20	N/A Sep.	O-RING (SEE 70-0241)	1
21	N/A	DIFFERENTIAL ADJUSTING LOCKNUT	1
22	N/A	DIFFERENTIAL ADJUSTING NUT	1
23	N/A	PRESSURE ADJUSTING LOCKNUT	1
24	N/A Sep.	PRESSURE ADJUSTING TOGGLE ASSEMBLY (SEE 70-0241)	1
25	N/A	RED TOGGLE COVER	1
KIT	70-0241	REPAIR KIT (INC. 2 EACH 4-5, 10-11, 13-16, 19-20, 24; INC. 3 EACH 2)	