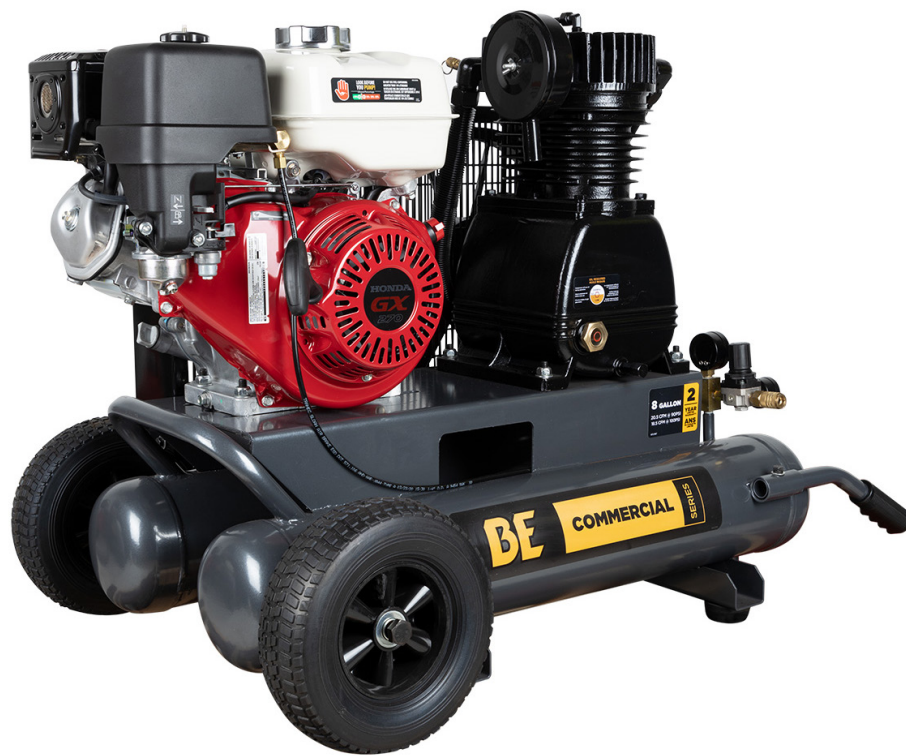




PARTS BREAKDOWN

AIR COMPRESSOR

MODEL:AC908HB2



BEPOWEREQUIPMENT

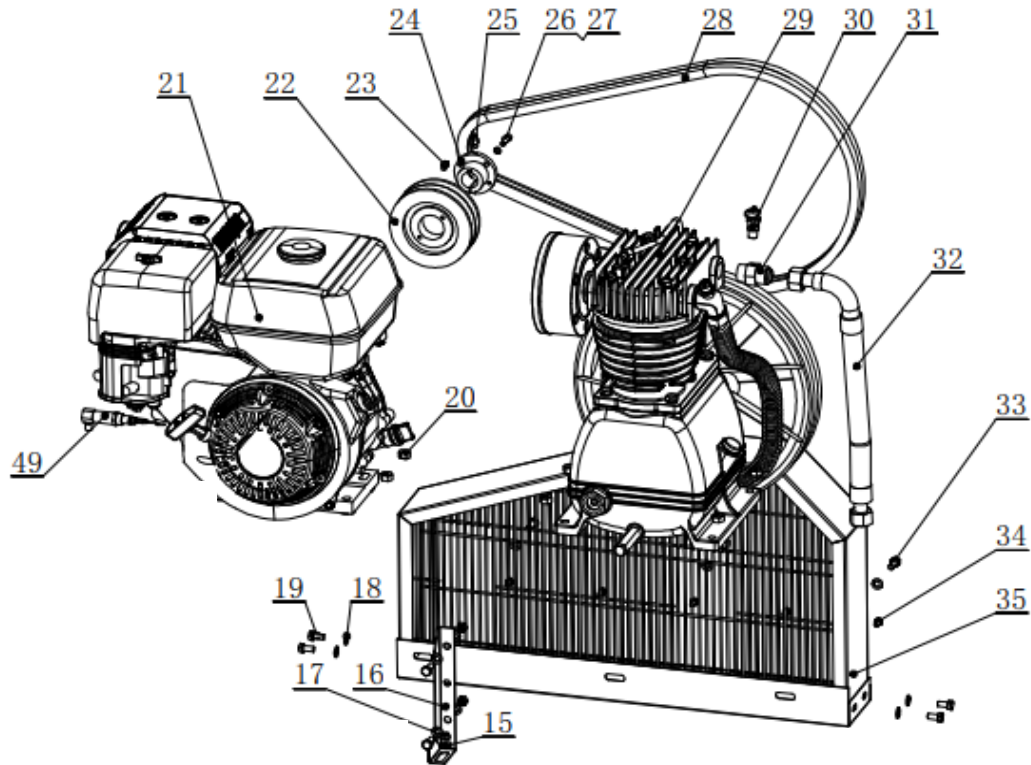
.COM



PARTS BREAKDOWN AIR COMPRESSOR

MODEL:AC908HB2

PUMP AND PLUMBING



REF #	DESCRIPTION	QTY	BE PART #
22	Pulley	1	42.005.133
23	Plain Key	1	
24	Pulley Bushing	1	
25	Socket Head Cap Screw	1	
26	Hex Socket Head Cap Screw	2	
28	V-Belt	2	42.005.134
29	Compressor Pump LH4T -New Style (Complete)	1	42.005.139
32	Flex Line	1	42.005.135
16	Belt Guard Holder	1	42.005.136
18	Plain Washer 6	4	
19	Hex Bolt M6x20	4	
35	Belt Guard	1	
49	Honda GX270 Engine	1	Check with Honda

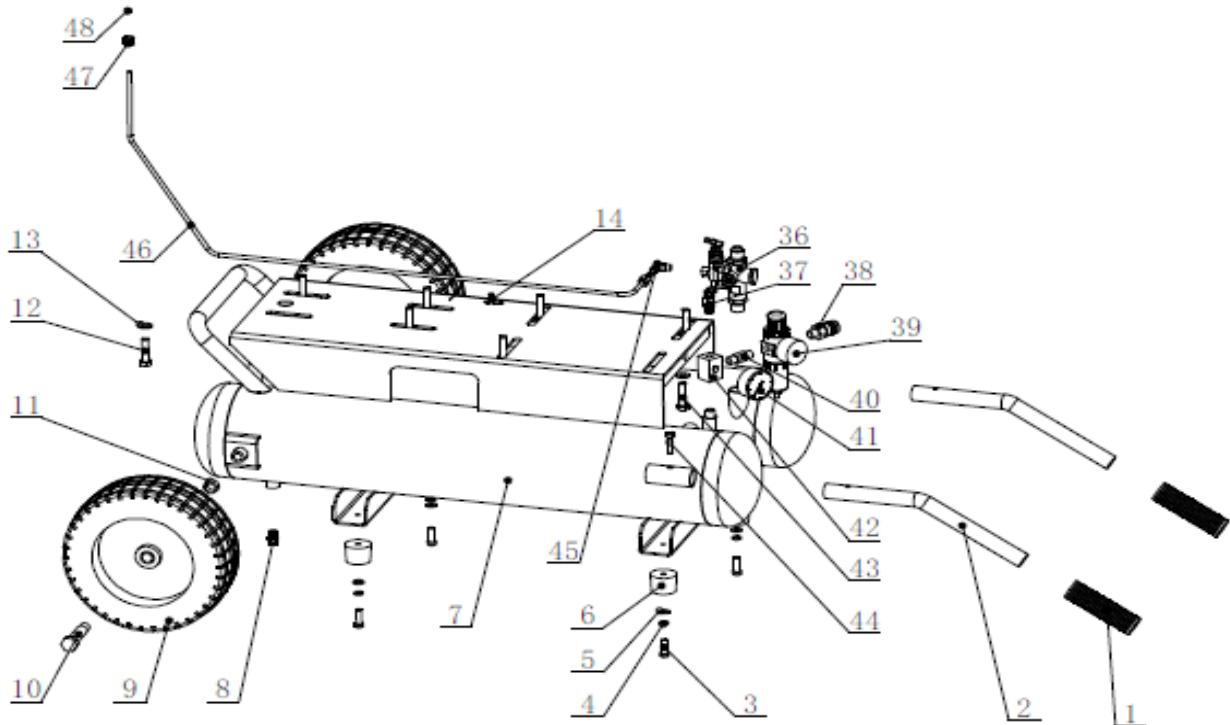
***CHECK WITH HONDA FOR ENGINE BREAKDOWN AND PARTS**



PARTS BREAKDOWN AIR COMPRESSOR

MODEL:AC908HB2

TANK ASSEMBLY



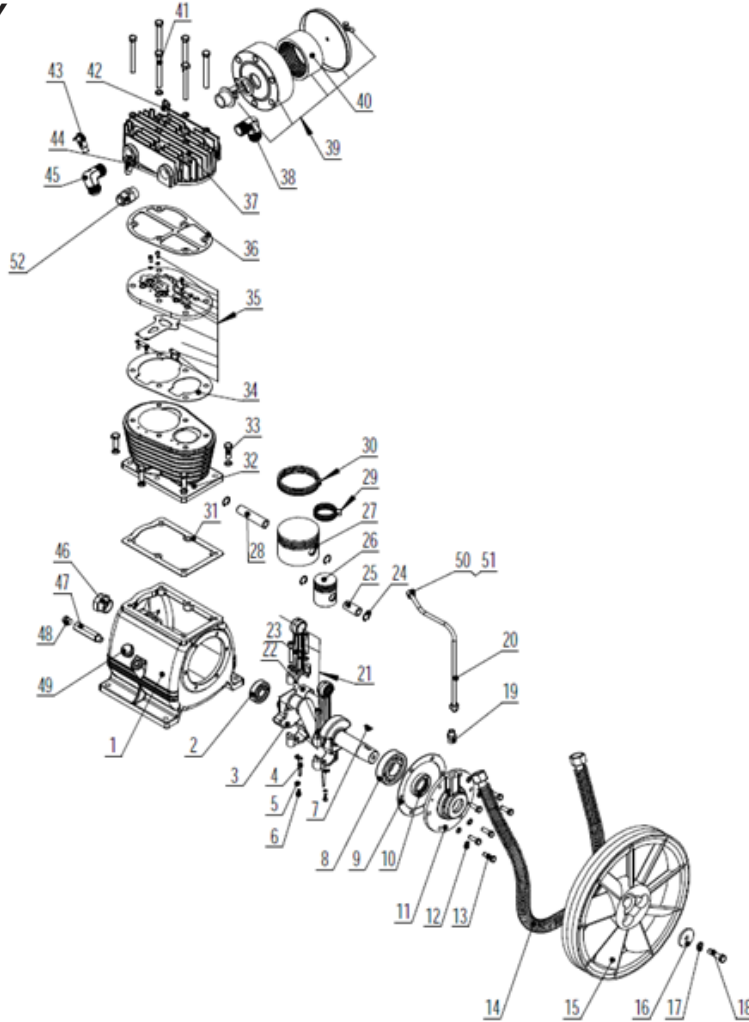
REF #	DESCRIPTION	QTY	BE PART #
8	Tank Drain	2	42.001.051
9	10" Wheel (each)	2	42.005.126
10	Wheel Bolt M14	2	42.005.132
11	Wheel Ring 16	2	
36	Unloading Check Valve	1	42.010.025
37	ASME Safety Relief Valve	1	42.010.028
38	Quick Coupler	1	42.000.046



PARTS BREAKDOWN AIR COMPRESSOR

MODEL:AC908HB2

PUMP ASSEMBLY



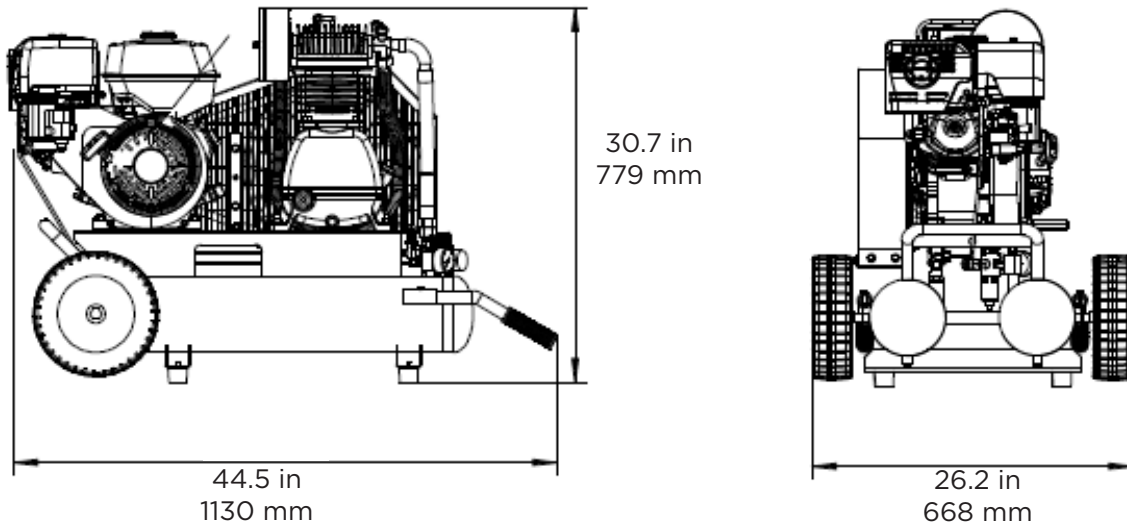
REF #	DESCRIPTION	QTY	BE PART #
9,10,31,34,35,37	Gasket Assembly	1	42.005.115
14	Intercooler Tube	1	42.005.140
15a	Pump Pulley Assembly (Current Single Channel type)	1	42.005.138
15b	Pump Pulley Assembly (Old Style 2A Groove type)	1	42.005.114
39	Ailir Filter Assembly - 3/4"NPT thread	1	42.004.028
20	Breather Tube	1	42.005.118
46	Oil Sight Glass	1	42.005.109
47	Oil Drain Tube 1/4"	1	42.004.033
48	Oil Plug	1	42.005.110
35	Valve Plate Assembly	1	42.005.116
29-30	Piston Ring Set ZD95T	1	42.005.117
47-48	Oil Drain Tube and Plug	1	42.005.120



PARTS BREAKDOWN AIR COMPRESSOR

MODEL:AC908HB2

DIMENSIONS



DIMENSION	MEASUREMENT	QTY
LENGTH	INCHES	44.5
	MILLIMETERS	1130
WIDTH	INCHES	26.2
	MILLIMETERS	668
HEIGHT	INCHES	30.7
	MILLIMETERS	779

BE

POWER EQUIPMENT

If you need technical assistance call:

1-866-850-6662

(8:00am - 4:30pm PST, Mon - Fri)