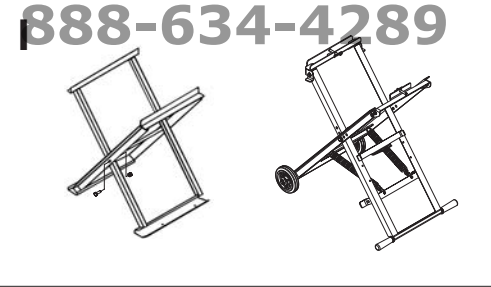
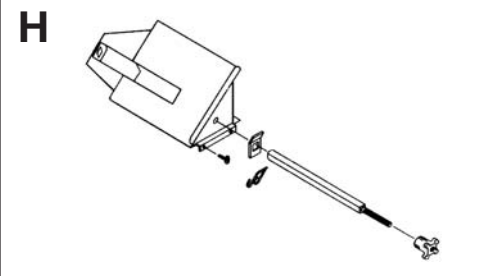
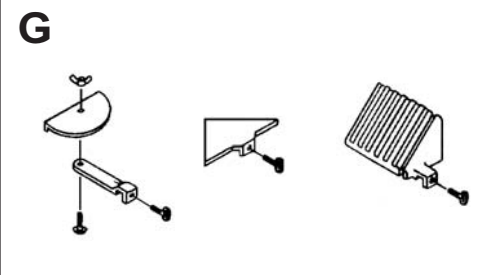
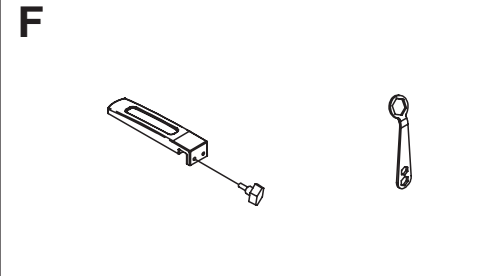
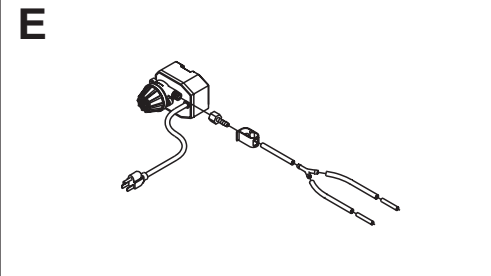
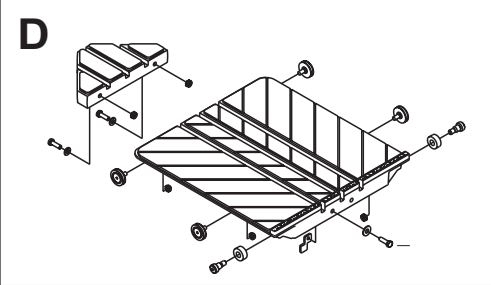
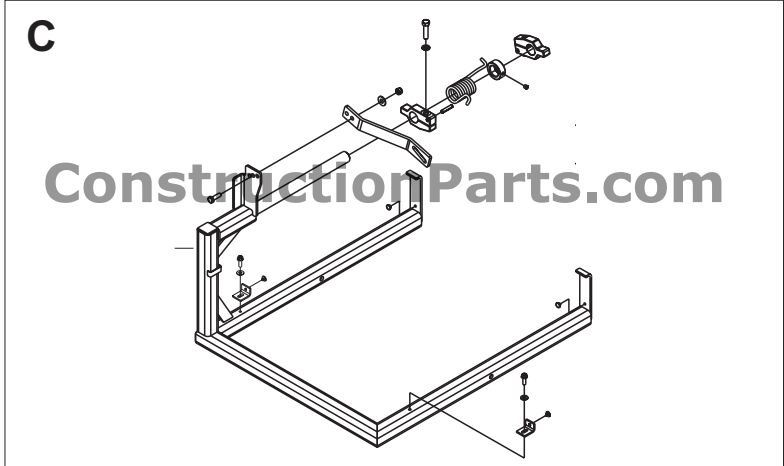
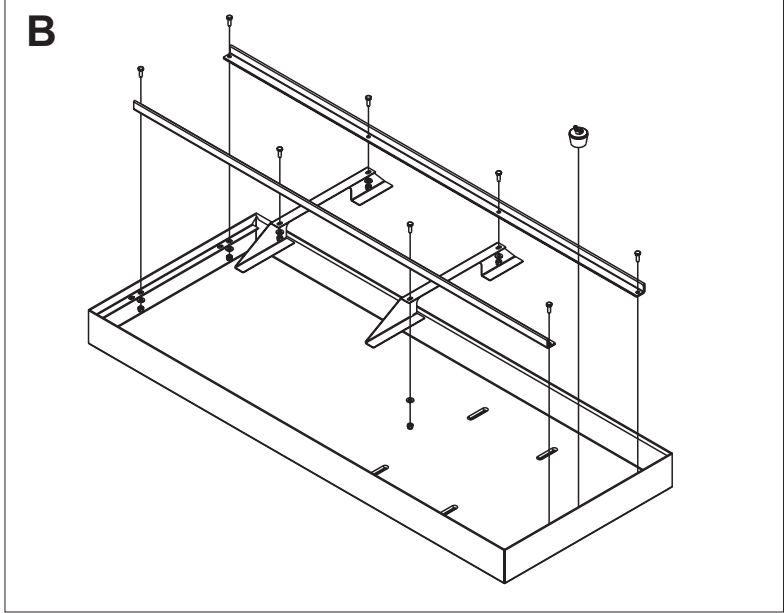
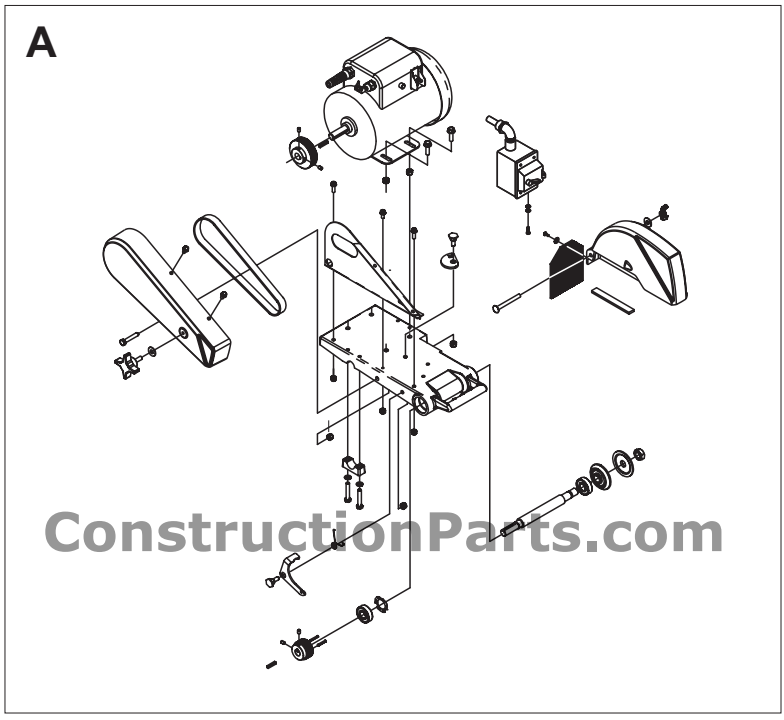
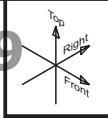
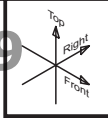


ConstructionParts.com Reference Diagram 888-634-4289





06.10.05

*Compl 542 20 31-13 (115V)
**Compl 542 20 31-14 (115V/230V)

*542 20 30-79 (115V)
**542 00 06-05 (115/230V)

**Motor Switch Assy
for 542 00 06-05
Motor (115V/230)**

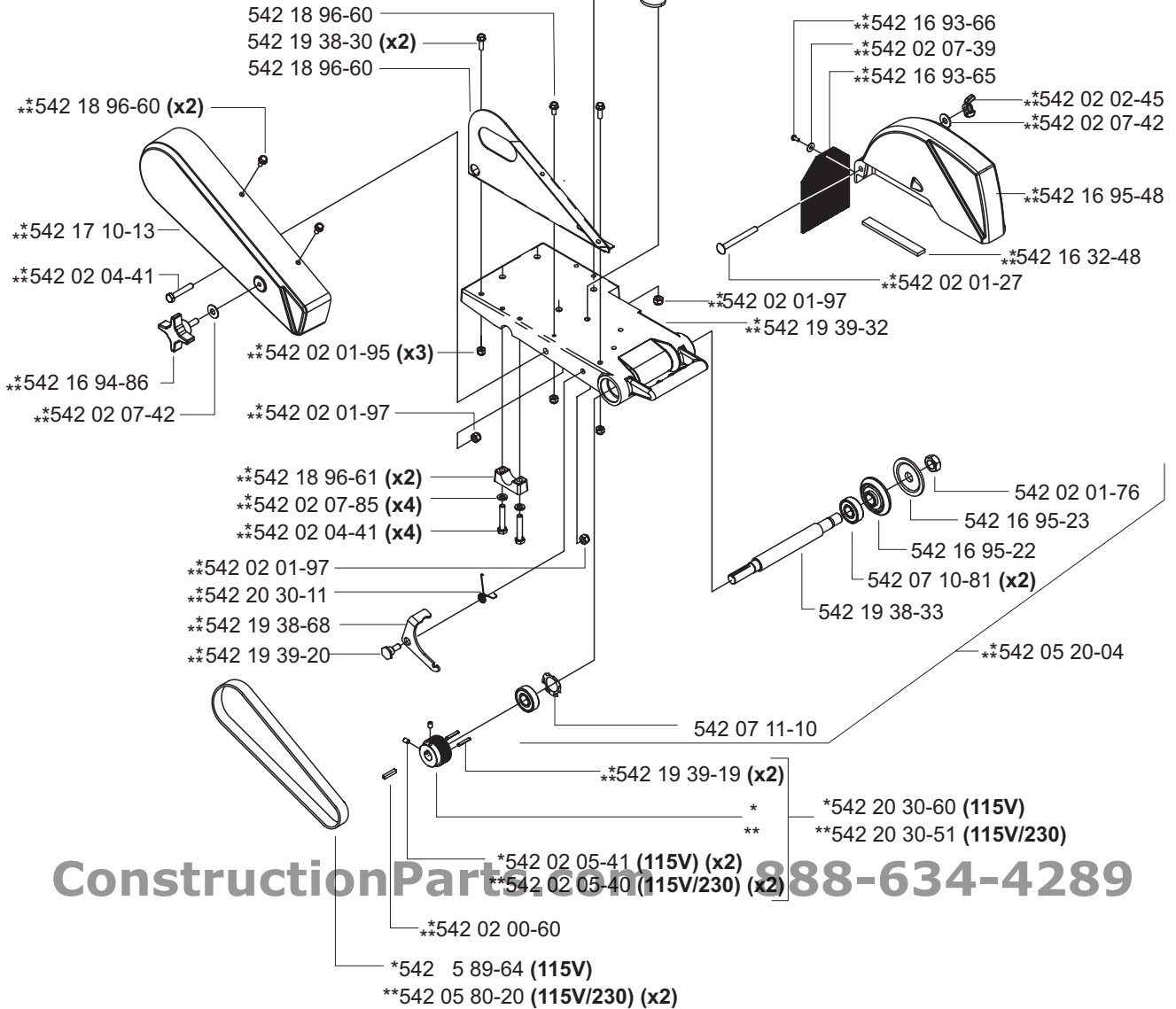
**542 18 08-10 —
**542 02 07-41 (x4) —
**542 02 04-89 (x2) —

**542 02 00-60 —
*542 17 21-01 (115V)
**542 03 09-06 (115V/230V)
* —
** —
*542 02 05-41 (115V) (x2) —
**542 02 05-50 (115V/230) (x2) —

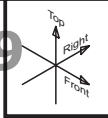
**542 17 88-25 (x4) —
**542 02 01-97 (x4) —

**542 19 39-20 —
**542 02 07-66 —
**542 20 46-69 —
**542 19 38-70 —

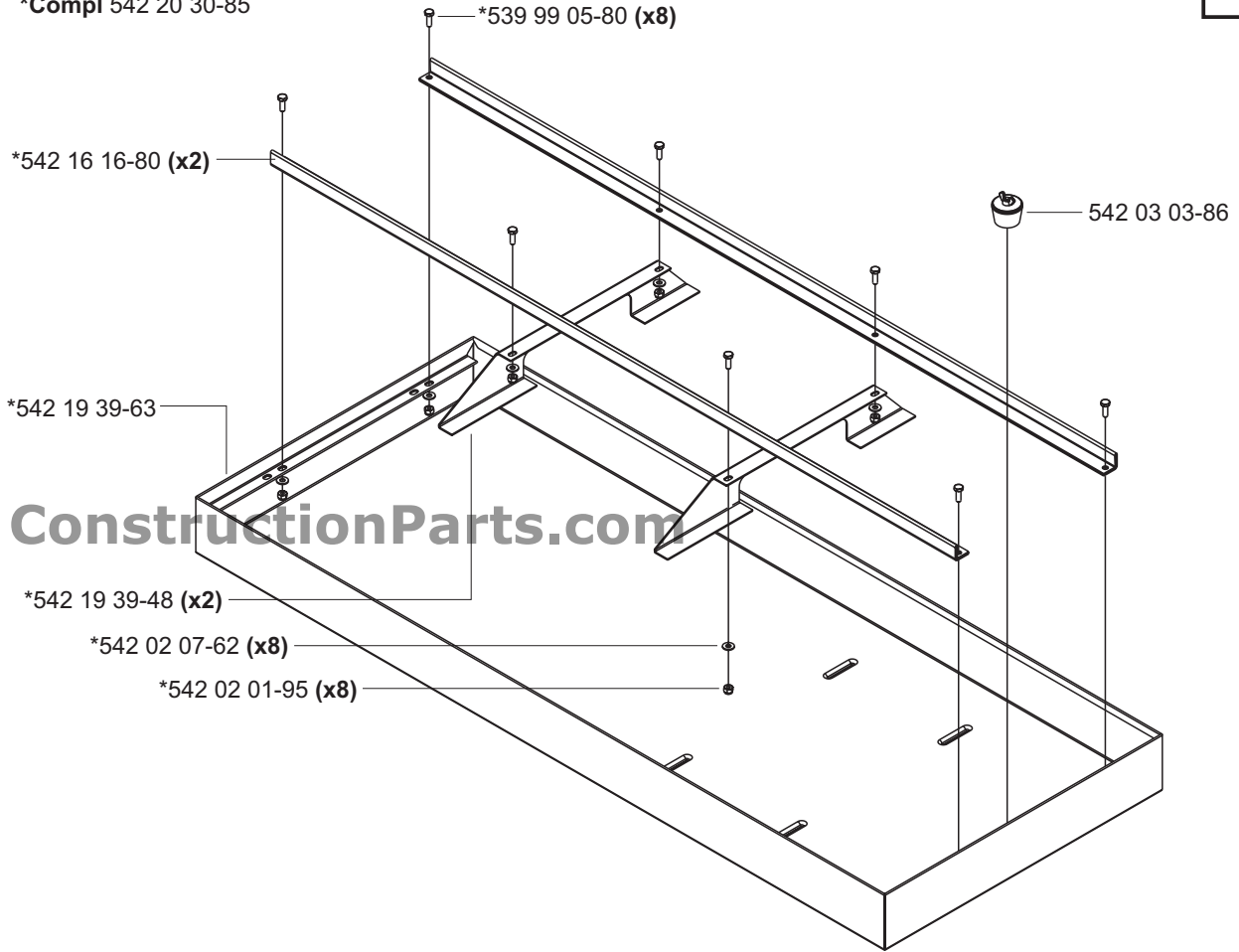
ConstructionParts.com



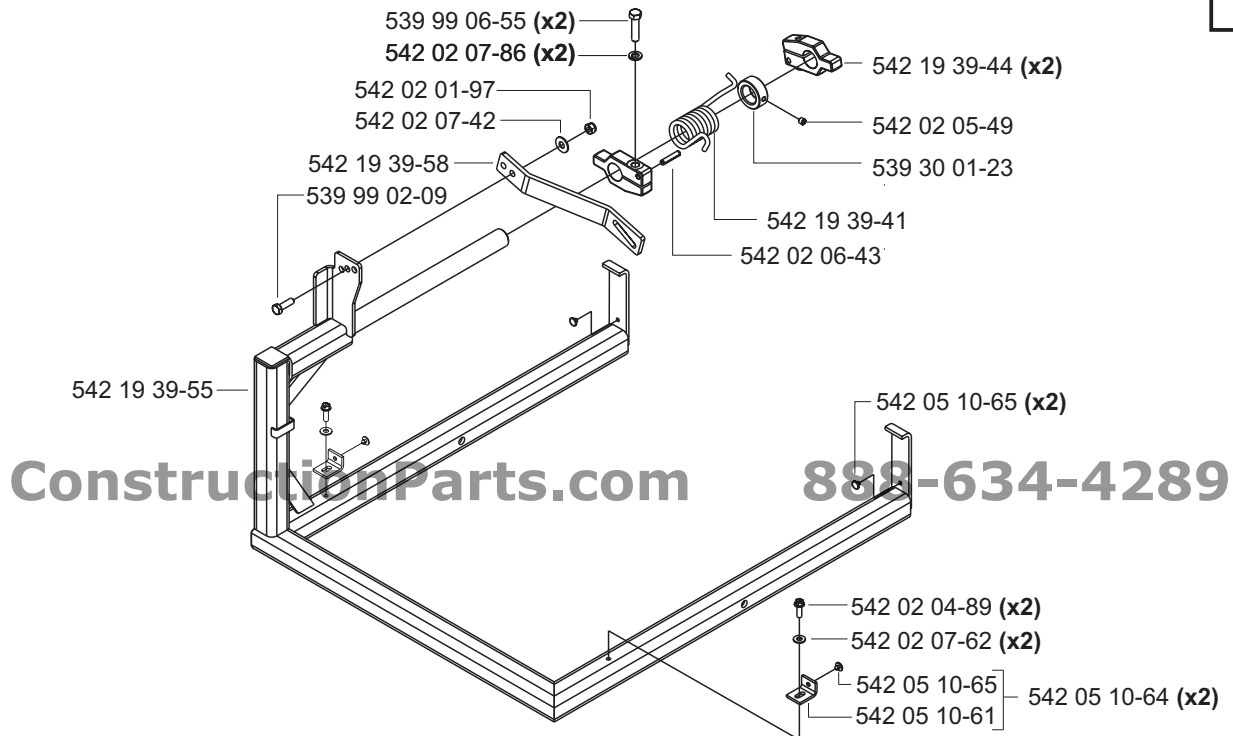
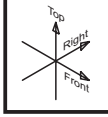
ConstructionParts.com 888-634-4289

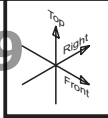


*Compl 542 20 30-85

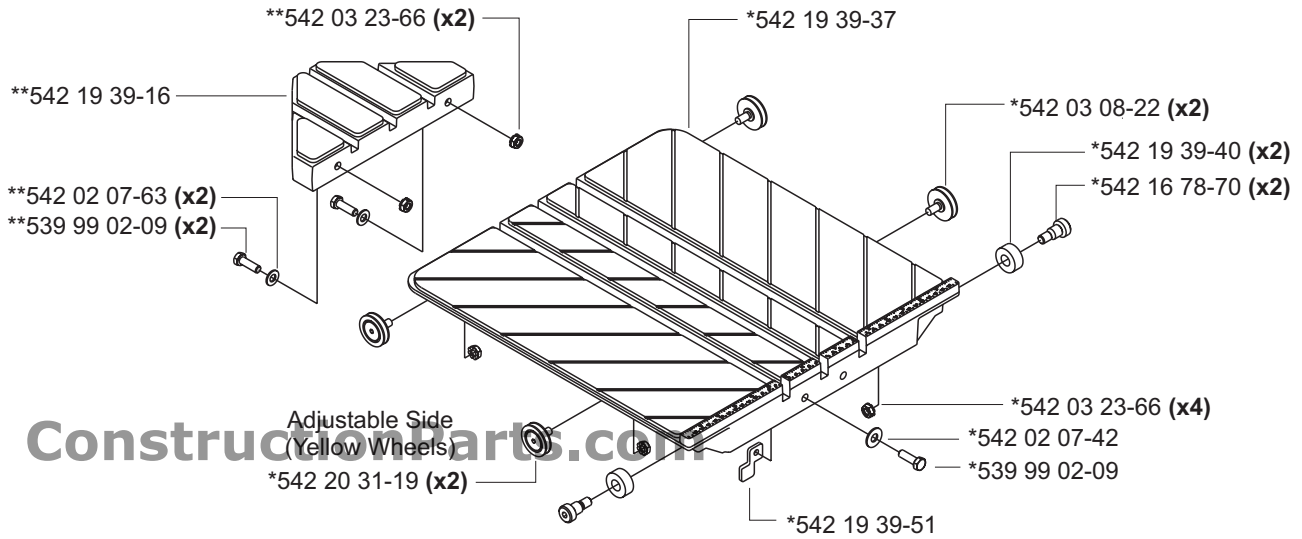


C Frame Assy





*Compl 542 20 30-56
**Compl 542 20 30-37



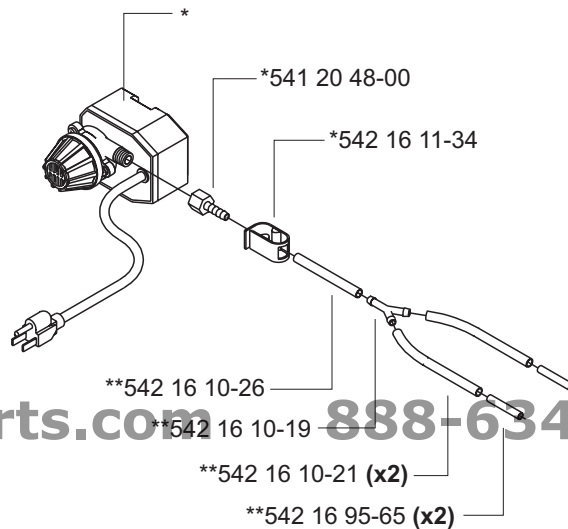
ConstructionParts.com

E Water Pump & Tube Assy

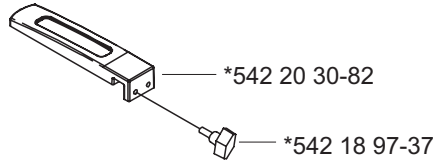
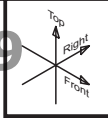
*Compl 542 05 02-18 (Standard 115V 60Hz)
*Compl 542 16 13-16 (Heavy Duty 115V 60Hz)
**Compl 542 16 95-63 (32" Tube Assy)

Repair Kits:

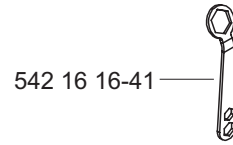
542 16 10-49 (G100 Pump - 542 05 02-18)
542 03 21-24 (G300 Pump - 542 16 13-16)



ConstructionParts.com



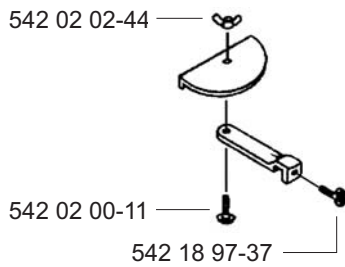
*542 20 30-83
Rip Guide Assy



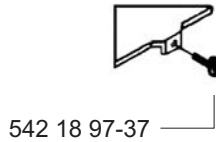
542 16 16-41
Wrench: 15/16 x 9/16 x 1/2

G Tile Saw Accessory Group (Optional)

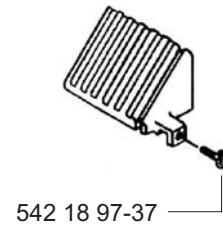
*Compl 542 17 10-65



*542 05 10-10
90° Protractor



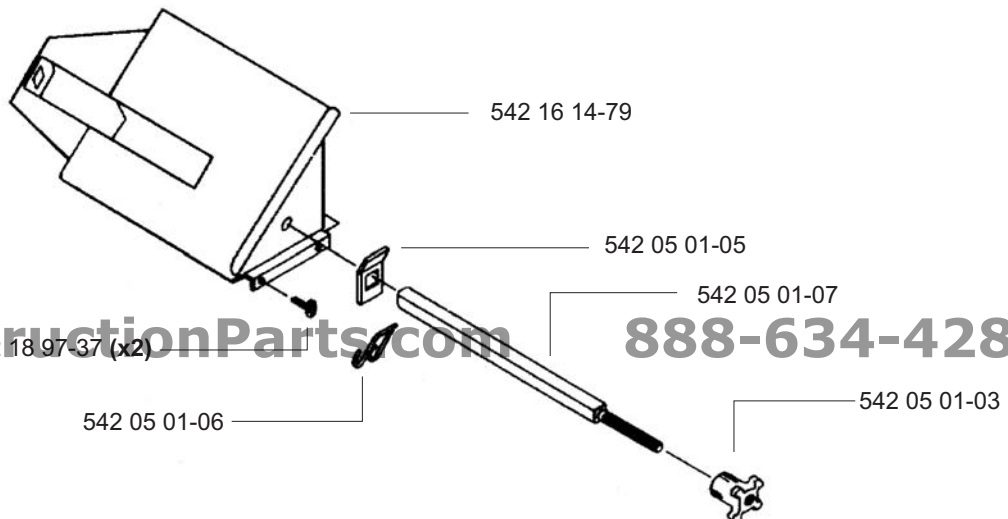
*542 05 10-20
Dual 45° Angle Guide



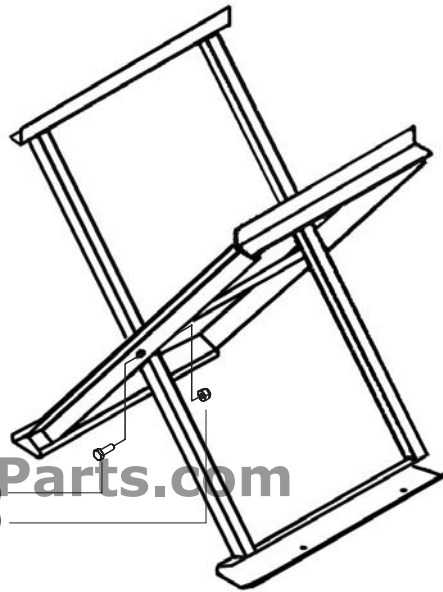
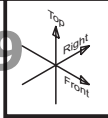
*542 05 10-30
45° Bull Nose Miter

H Tile Saw Accessory (Optional)

Compl 542 16 14-80
45° Mighty Miter



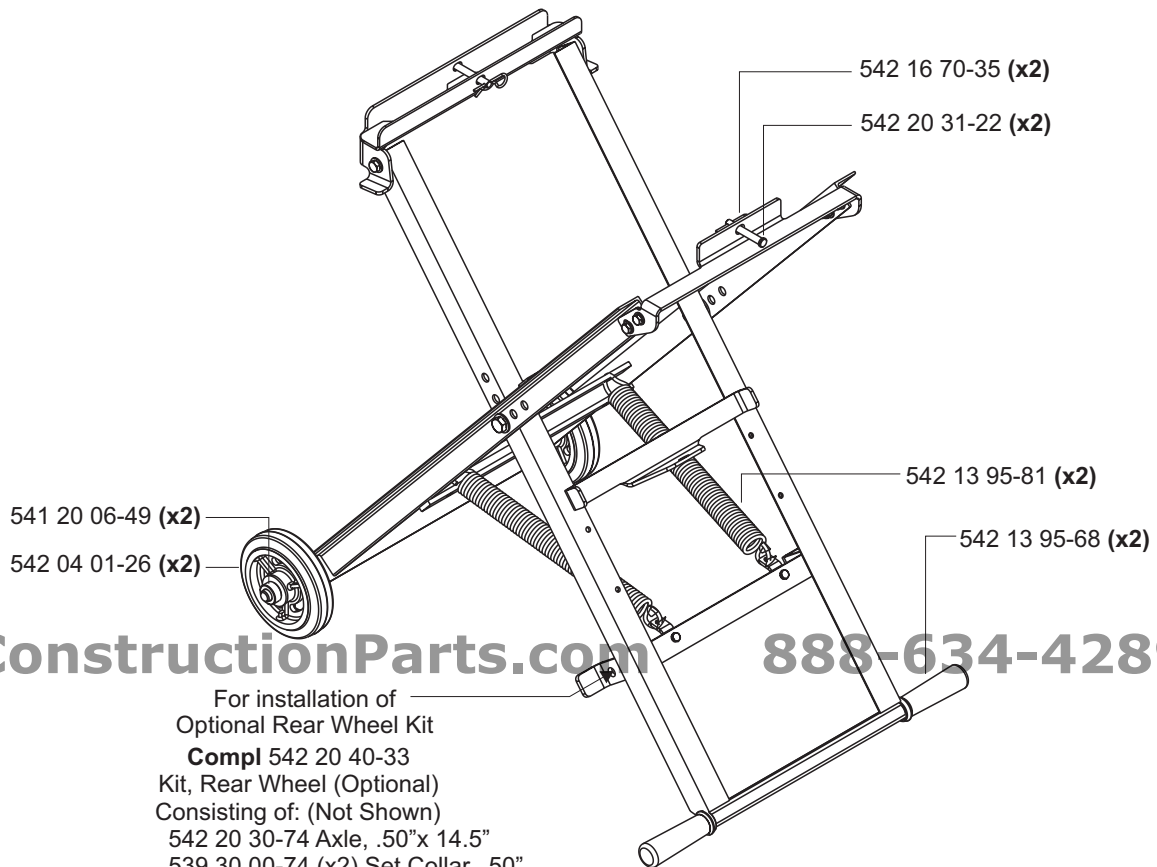
Compl 542 05 10-41
Folding Steel Stand



ConstructionParts.com

542 19 30-32 — 542 02 03-39 (X2)
542 02 02-01 (X2)

Compl 542 19 38-77
Adjustable Rolling Stand



541 20 06-49 (x2)

542 04 01-26 (x2)

542 16 70-35 (x2)

542 20 31-22 (x2)

542 13 95-81 (x2)

542 13 95-68 (x2)

ConstructionParts.com

888-634-4289

For installation of
Optional Rear Wheel Kit
Compl 542 20 40-33
Kit, Rear Wheel (Optional)
Consisting of: (Not Shown)
542 20 30-74 Axle, .50"x 14.5"
539 30 00-74 (x2) Set Collar, .50"
542 20 30-62 (x2) Wheel, 4"x.50"

| PART NO. | POS. | DESCRIPTION | PART NO. | POS. | DESCRIPTION |
|---------------|-------|-------------------------------------------------|---------------|-------|---------------------------------------------------------|
| 539 30 00-74 | I | Set Collar, .50" ID | 542 16 95-22* | A | Flange, Inner |
| 539 30 01-23 | C | Collar 1.00 ID | 542 16 95-23* | A | Flange, Outer |
| 539 99 02-09 | C,D | Capscrew, Hx Hd .312-18NC x 1.00 GR5 Z/P | 542 16 95-48* | A | Guard, 10 Inch Blade |
| 539 99 05-80 | B | Capscrew, Hx Hd .25-20NC x .75 GR5 Z/P | 542 16 95-63* | E | Water Tube Assy .25" Y x 32" |
| 539 99 06-55 | C | Capscrew, Hx Hd .375-16NC x 1.50 GR5 Z/P | 542 16 95-65* | E | Tubing, Plastic 1/4" ID x 6" |
| 541 20 30-20 | I | Set Collar, .625" ID | 542 17 10-13* | A | Belt Guard, PC Yellow |
| 541 20 46-69 | A | Washer, Single Wave, Spring | 542 17 21-01* | A | Pulley, Motor, 6GJ Poly-V 2.80 (1.5HP 115V) w/SS |
| 541 20 48-00 | E | Fitting, Barb 1/4" NPTF x 1/4"H | 542 17 88-25* | A | Flange Bolt .312-18 X 1.00 GR5 Z/P |
| 542 5 89-64* | A | V-Belt, Poly, 280J6 (115V/60/1) | 542 18 08-10* | A | Switch, Housing, & Wiring Assy (Incls. 542 16 15-81*) |
| 542 00 06-05 | A | Motor, 1 1/2 HP 3450 RPM 115V/230/60/1 | 542 18 96-60* | A | Flange Bolt .25-20 x .50 GR5 Z/P |
| 542 02 00-60* | A | Key, .1875 Sq x 1.00 | 542 18 96-61* | A | Bearing Cap - TS |
| 542 02 01-27* | A | Carriage Bolt .312-18 x 3.00 GR5 Z/P | 542 18 97-37* | F,G,H | T-Knob .25-20 x .75 |
| 542 02 01-76* | A | Nut, Hx, Jam Thin .625-18 | 542 19 38-30* | A | Flange Bolt .25-20 x .75 GR5 Z/P |
| 542 02 01-95* | A,B | Locknut, Fiber .25-20NC Z/P | 542 19 38-32* | A | TS Belt Guard Mtg Brkt |
| 542 02 01-97* | A,C | Locknut, Fiber .312-18NC Z/P | 542 19 38-33* | A | Blade Shaft |
| 542 02 02-01* | I | Locknut, Fiber .50"-13 | 542 19 38-68 | A | Blade Shaft Stop |
| 542 02 02-45* | A | Locknut, Wing .312-18 | 542 19 38-70 | A | Cam, Adjustment |
| 542 02 03-39* | I | Capscrew, Hx Hd .50"-13 x 1.00" | 542 19 38-77 | I | Stand, Adjustable Folding / Rolling |
| 542 02 04-41* | A | Capscrew, Hx Hd .312-18 x 1.75 GR5 Z/P | 542 19 39-19 | A | Spring Roll Pin .156 x 1.00 |
| 542 02 04-89* | A | HWHSTS .25-20 x .75 Type F Z/P | 542 19 39-20 | A | Bolt, Blade Lock |
| 542 02 05-40* | A | Socket Head Set Screw, .25-20 x .25 | 542 19 39-32 | A | Motor Platform |
| 542 02 05-41* | A | Socket Head Set Screw, .25-20 x .375 Cup HK | 542 19 39-38 | D | Conveyor Cart, Tile Saw |
| 542 02 05-49* | C | Socket Head Set Screw .312-18NC x .312 | 542 19 39-40 | D | Roller, Cart Stabilizer |
| 542 02 05-50* | A | Socket Head Set Screw, .3125-18 x .375 | 542 19 39-41 | C | Spring, Torsion |
| 542 02 06-43* | C | Roll Pin, .25 D x 1.25 | 542 19 39-44 | C | Spring Anchor |
| 542 02 07-39* | A | Flat Washer .19 | 542 19 39-48 | B | Rail Support |
| 542 02 07-41* | A | Flat Washer .250 WIDE | 542 19 39-51 | D | Cart Stop |
| 542 02 07-42* | A,C,D | Flat Washer .312 WIDE | 542 19 39-55 | C | Frame Weldment |
| 542 02 07-62* | B,C | Flat Washer .250 SAE | 542 19 39-58 | C | Lockbar - STM |
| 542 02 07-66* | A | Flat Washer .50 SAE | 542 19 39-63 | B | Pan, Tile Saw (Steel) |
| 542 02 07-85* | A | Lockwasher Split .3125 | 542 19 72-37* | E | Hose Barb .25" FPT x .25" OD |
| 542 02 07-86* | C | Lockwasher Split .375 | 542 20 30-11 | A | Spring, Torsion |
| 542 03 03-86* | B | Drain Plug | 542 20 30-37 | D | Cart Extension - compl |
| 542 03 08-22* | D | Wheel, Cart - Fixed (Silver) | 542 20 30-51 | A | Pulley, B/S, 2G3V2.0 (1-1/2HP 115V/230) w/SS |
| 542 03 09-06* | A | Pulley, Motor, 2G3V2.25 (1-1/2HP 115V/230) w/SS | 542 20 30-56 | D | Conveyor Cart - compl |
| 542 03 23-66* | D | Nut Keps, .312-18 | 542 20 30-60 | A | Pulley, B/S, 6GJ Poly-V 1.75 (1.5HP 115V/230) w/SS |
| 542 04 01-26* | I | Wheel, 6.0" Dia x .625" B | 542 20 30-62 | I | Wheel, 4.0" Dia x .503" B |
| 542 05 01-03* | H | Knob, Mighty Miter | 542 20 30-79 | A | Motor, 1 1/2 HP 1725 RPM 115V/60/1 |
| 542 05 01-05* | H | Stop, Mighty Miter | 542 20 30-82 | F | Rip Guide |
| 542 05 01-06* | H | Spring, Mighty Miter | 542 20 30-85 | B | Water Pan Assy, Galv - compl (Less Decals) |
| 542 05 01-07* | H | Locking Bolt, Mighty Miter | 542 20 31-13 | A | Cutting Hd Sub Assy 1.5HP 115V 60 - compl |
| 542 05 02-16* | E | Water Pump Assy (G300) 230V 50/60Hz | 542 20 31-14 | A | Cutting Hd Sub Assy 1.5HP 115V-230 60 - compl |
| 542 05 02-18* | E | Water Pump Assy (G100) 115V/60/1 | 542 20 31-19 | D | Wheel, Cart - Eccentric (Yellow) |
| 542 05 10-10* | G | Protractor, 90 Adj - compl | 542 20 31-22 | I | Pin, Clevis .375 x 2.50" |
| 542 05 10-20* | G | Guide, 45 Angle - compl | | | -- Kits -- |
| 542 05 10-30* | G | Miter, 45 Bull Nose - compl | 542 03 21-24* | E | Kit, Water Pump - G300 |
| 542 05 10-41* | I | Stand, Folding Steel - Black | 542 05 20-04* | A | Kit, Blade Shaft Replacement |
| 542 05 10-61* | C | Pan Stop | 542 16 10-49* | E | Kit, Water Pump - G100 / G150 |
| 542 05 10-64* | C | Pan Stop - compl | 542 20 40-33 | I | Kit, Wheel - Optional |
| 542 05 10-65* | C | Plastic Tab | | | -- Items Not Shown -- |
| 542 05 80-20* | A | V-Belt, 3VX280 (115V/230) | | | Parts for Motor, 1 1/2 HP 1725 RPM 115V/60/1 (Standard) |
| 542 07 10-81* | A | Bearing, Ball 17 mm | 542 20 30-93 | NS | Switch, On-Off DPST |
| 542 07 11-10* | A | Washer, Finger Spring | 542 20 30-94 | NS | Capacitor, Run |
| 542 13 95-68* | I | Grip, Handle | 542 20 30-95 | NS | Overload, Manual Reset Thermal Switch |
| 542 13 95-81* | I | Spring, Stand | 542 20 30-96 | NS | Capacitor, Start |
| 542 16 10-19* | E | Connector, "Y" .250 | | | Parts for Motor, 1 1/2 HP 3450 RPM 115/230V/60/1 |
| 542 16 10-21* | E | Nozzle, Plastic .250 x 1.5 | 542 16 15-81* | NS | Switch, On-Off DPST |
| 542 16 10-26* | E | Tubing, Plastic 1/4" ID x 32" | 542 03 01-41* | NS | Switch, Dual Voltage Toggle |
| 542 16 11-34* | E | Valve, Flow Control | 542 00 08-73* | NS | Overload, Manual Reset Thermal Switch |
| 542 16 13-16* | E | Water Pump Assy (G300) 115V/60/1 HD | 542 18 91-17* | NS | Capacitor, Start |
| 542 16 14-79* | H | Support, 45 Mighty Miter - Black | 542 16 92-81* | NS | Decal: Tile Master XL (x2) |
| 542 16 14-80* | H | Miter, 45 Mighty - compl | 542 18 90-25* | NS | Decal: Blade Guard - Outer |
| 542 16 16-41* | F | Wrench, TS (15/16 x 9/16 x 1/2) | 542 18 90-26* | NS | Decal: Blade Guard - Inner |
| 542 16 16-80* | B | Rail, Tile Saws (Steel) | 542 18 90-27* | NS | Decal: Blade Guard - Corner |
| 542 16 32-48* | A | Strip, Rubber (per Ft) | 542 18 70-43* | NS | Decal: Warning (Belt Guard - Top) |
| 542 16 70-35* | I | Pin, Cotter Hair | 542 19 37-94 | NS | Decal: Drain Plug |
| 542 16 78-70* | D | Screw, SH Shoulder 0.5 x 0.5 x .38-16NC | 542 20 30-65 | NS | Decal: Tile Master XL PLUS (x2) |
| 542 16 93-65* | A | Flap, Splash - Corrugated | | | |
| 542 16 93-66* | A | Screw, Self Tapping #8 x .375 "B" | | | |
| 542 16 94-86* | A | Knob, .31-18 x 1.00 | | | |

NOTE: Part No's. that have an ASTERISK (*) suffix may not be active 9-digit numbers. The '542' prefix has been added to current 6-digit part numbers and '0' to 8-digit part numbers.