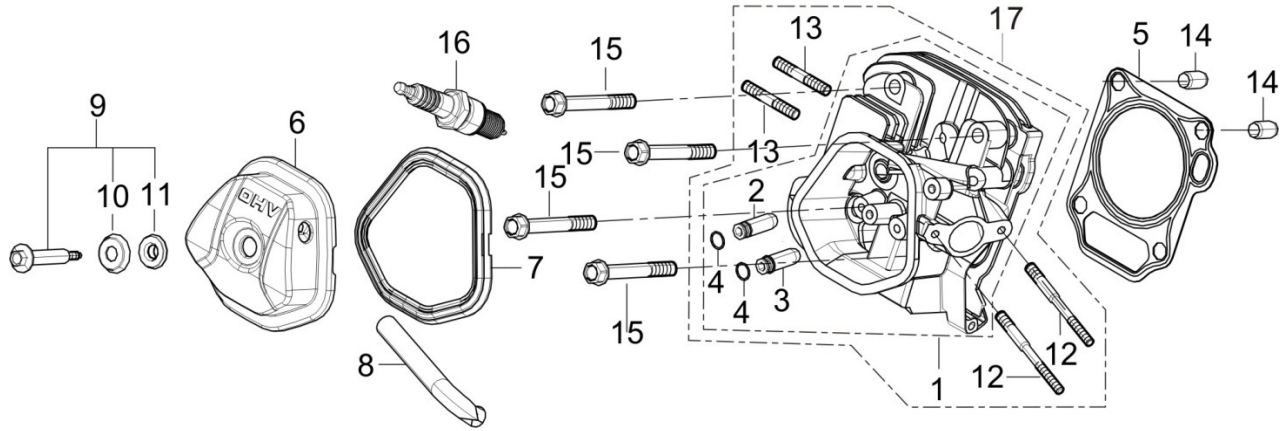
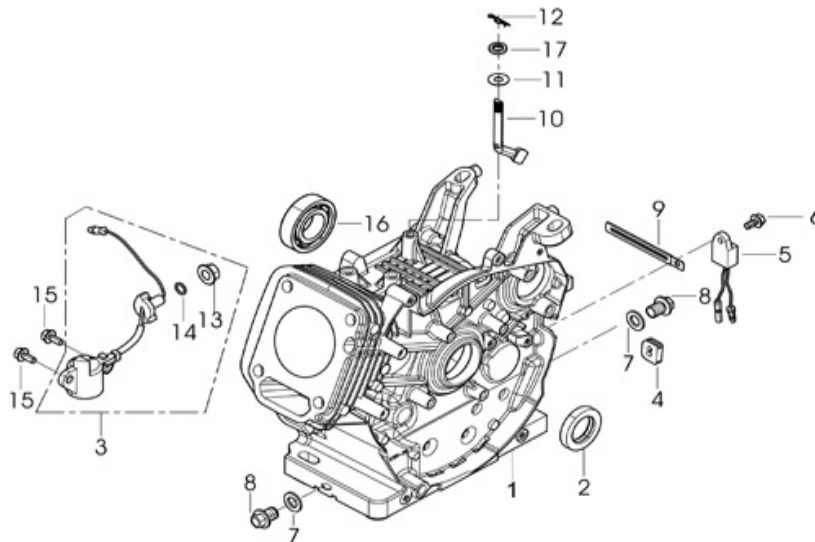


CYLINDER HEAD & CYLINDER COVER ASSY



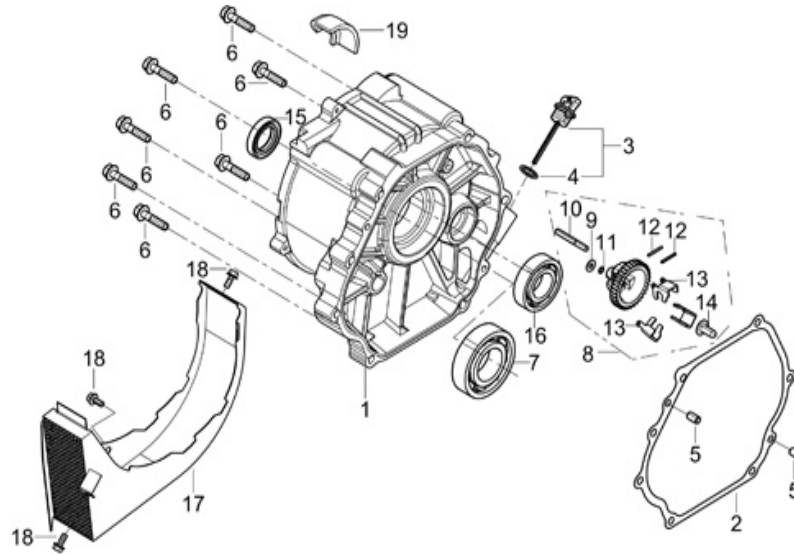
REF NO.	DESCRIPTION	QTY	PART NO.
5	GASKET, CYLINDER HEAD	1	85.571.021
6	COVER SUBASSEMBLY, CYLINDER HEAD	1	85.571.022
7	GASKET, CYLINDER HEAD COVER	1	
16	PLUG, SPARK	1	85.519.001

CRANKCASE



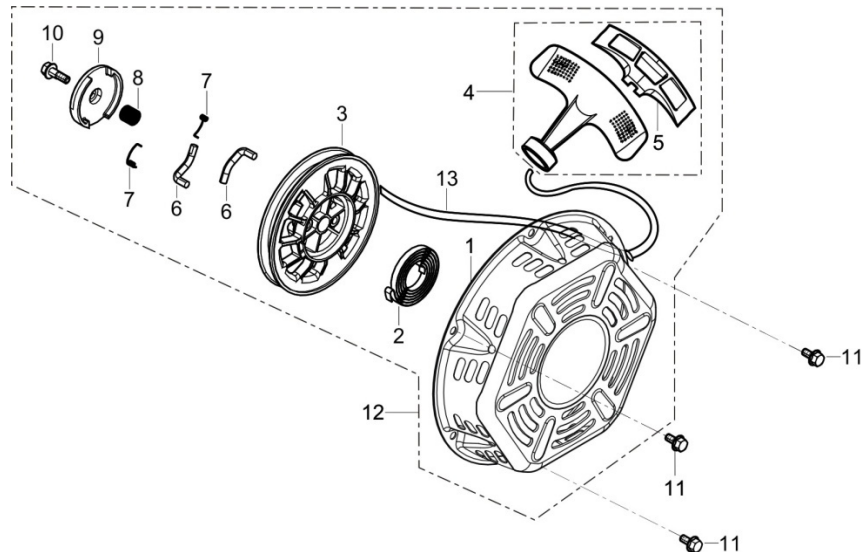
REF NO.	DESCRIPTION	QTY	PART NO.
3	SENSOR, ENGINE OIL	1	85.571.256
5	PROTECTOR, OIL	1	

CRANKCASE COVER



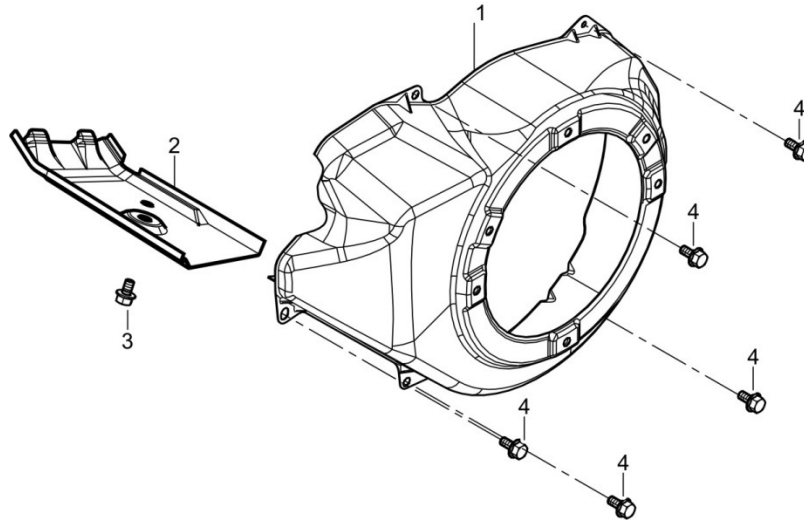
REF NO.	DESCRIPTION	QTY	PART NO.
3	CAP COMP., OIL FILLER	1	85.571.020

STARTER



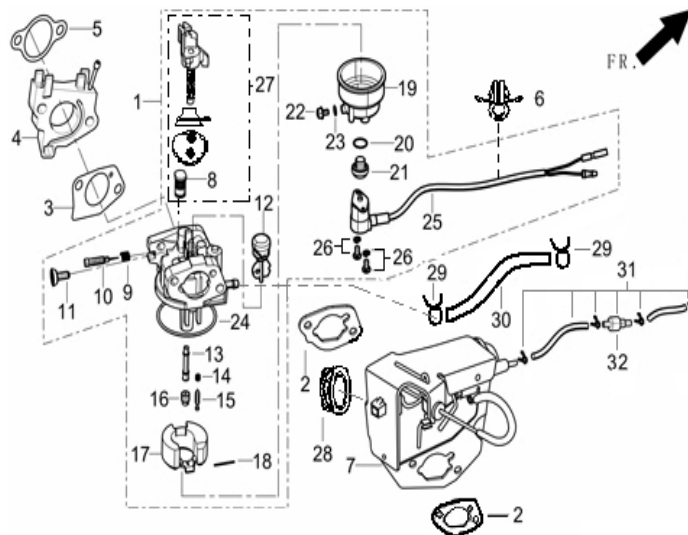
REF NO.	DESCRIPTION	QTY	PART NO.
12	STARTER ASSY, RECOIL	1	85.571.026

SHROUD



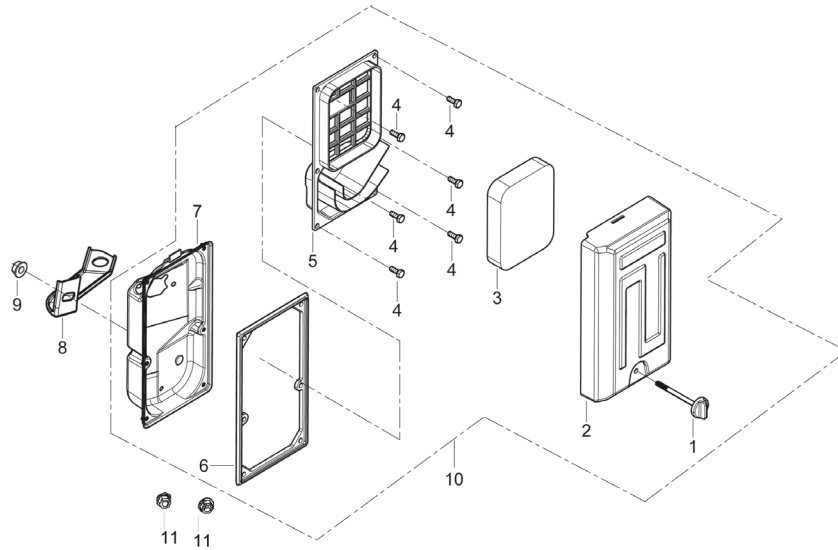
REF NO.	DESCRIPTION	QTY	PART NO.
1	SHROUD (YELLOW)	1	85.571.107

CARBURETOR ASSY



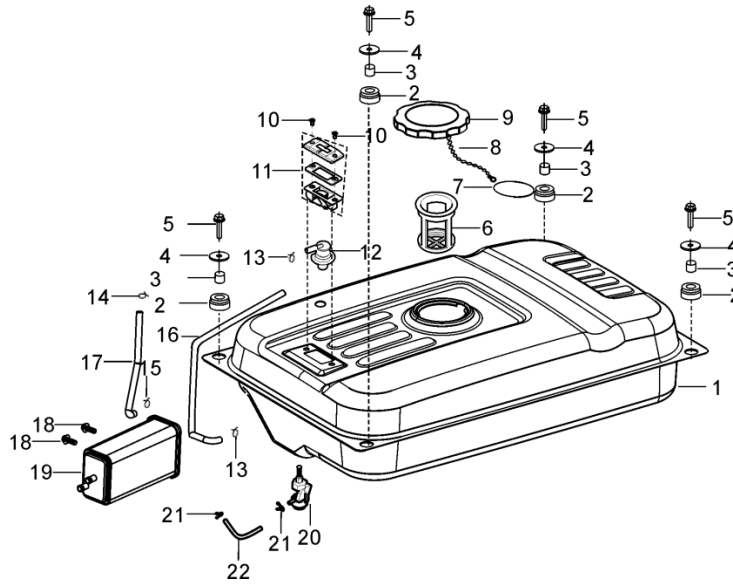
REF NO.	DESCRIPTION	QTY	PART NO.
1	CARBURETOR ASSY.	1	85.571.257
2	GASKET, AIR CLEANER	2	
3	GASKET, CARBURETOR	1	
4	PLATE, CARBURETOR INSULATOR	1	
5	GASKET, INLET	1	
7	CONTROL ASSY, CHOKE	1	85.571.248
30	VALVE, ONE WAY	1	

AIR FILTER



REF NO.	DESCRIPTION	QTY	PART NO.
10	CLEANER,AIR	1	85.571.258

FUEL TANK

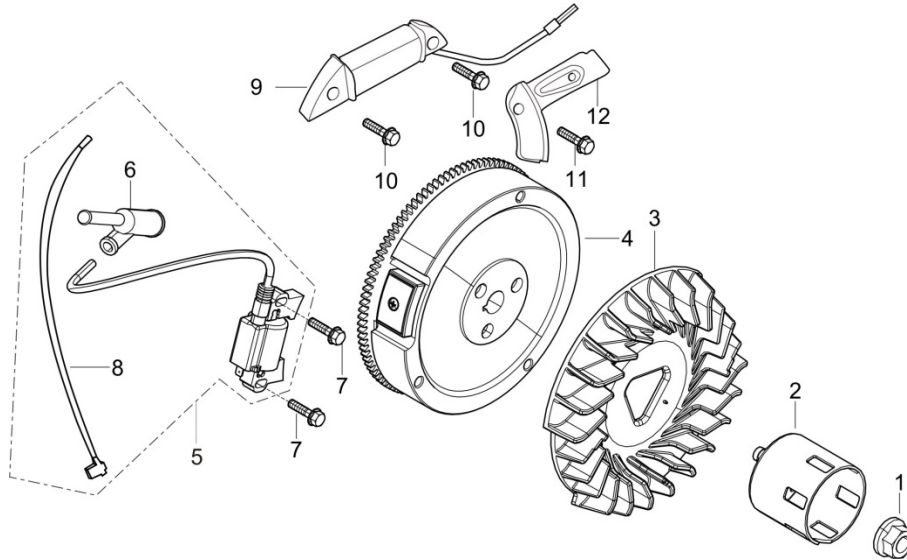


REF NO.	DESCRIPTION	QTY	PART NO.
1	TANK, FUEL	1	85.571.259
7	COVER, FUEL TANK	1	85.571.260
20	COCK ASSY, FUEL	1	85.571.104
21	CLAMP	2	
22	TUBE	1	



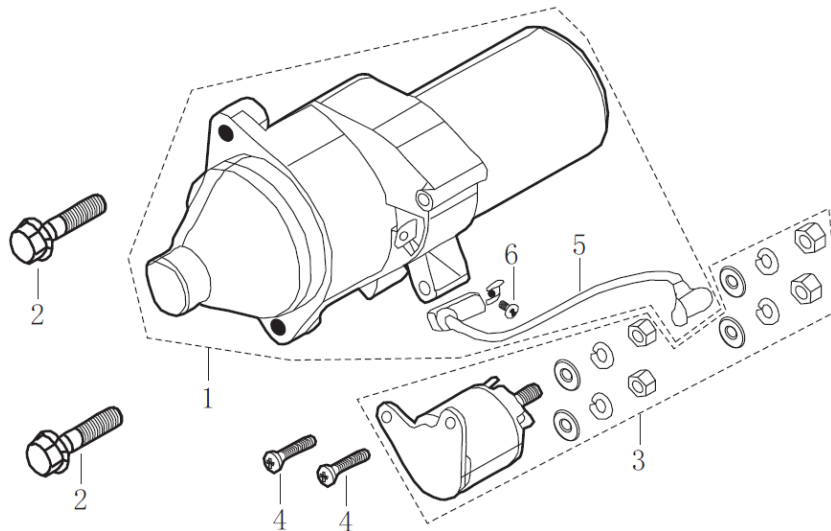
GENERATOR BE-9000ERUSC

FLYWHEEL SUBASSEMBLY



REF NO.	DESCRIPTION	QTY	PART NO.
5	COIL, IGNITION	1	85.571.032
9	COIL SUBASSEMBLY, CHARGE	1	85.571.075

MOTOR STARTER ASSEMBLY

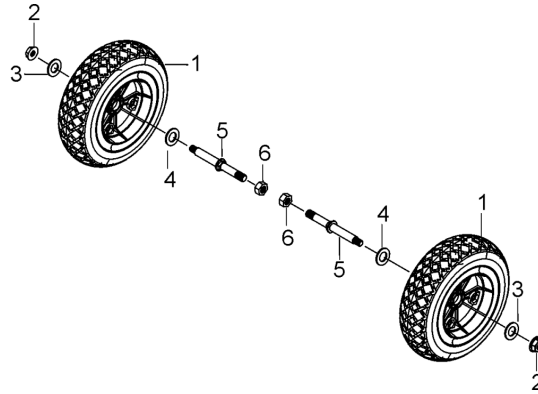


REF NO.	DESCRIPTION	QTY	PART NO.
1	MOTOR ASSY, STARTING	1	85.571.076



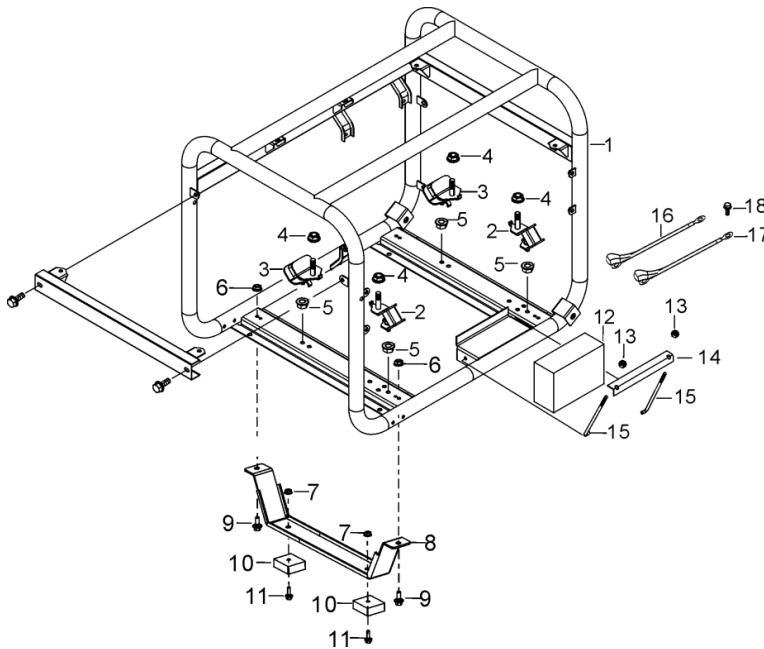
GENERATOR BE-9000ERUSC

WHEEL ASSY, FRONT



REF NO.	DESCRIPTION	QTY	PART NO.
1	WHEEL, FRONT	2	85.571.261
2	NUT	2	
3	WASHER	2	
4	WASHER	2	
5	SHAFT, FRONT WHEEL	2	
6	NUT	2	

FRAME

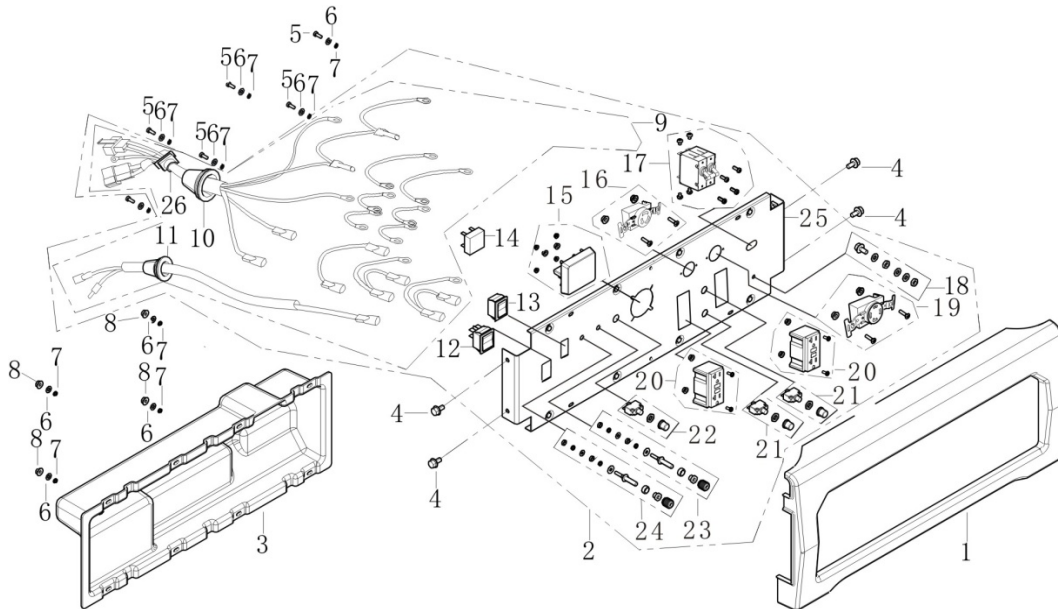


REF NO.	DESCRIPTION	QTY	PART NO.	REF NO.	DESCRIPTION	QTY	PART NO.
7	NUT	2	85.571.261	2	CUSHION, ENGINE FRAME	2	85.571.078
8	SHOCK ABSORBER	2		3	CUSHION, ENGINE FRAME REAR	2	
9	BOLT	2		12	BATTERY	1	85.571.262
10	SEAT, ENGINE FRAME	2					
11	BOLT	2					



GENERATOR BE-9000ERUSC

CONTROL PANEL SUBASSEMBLY

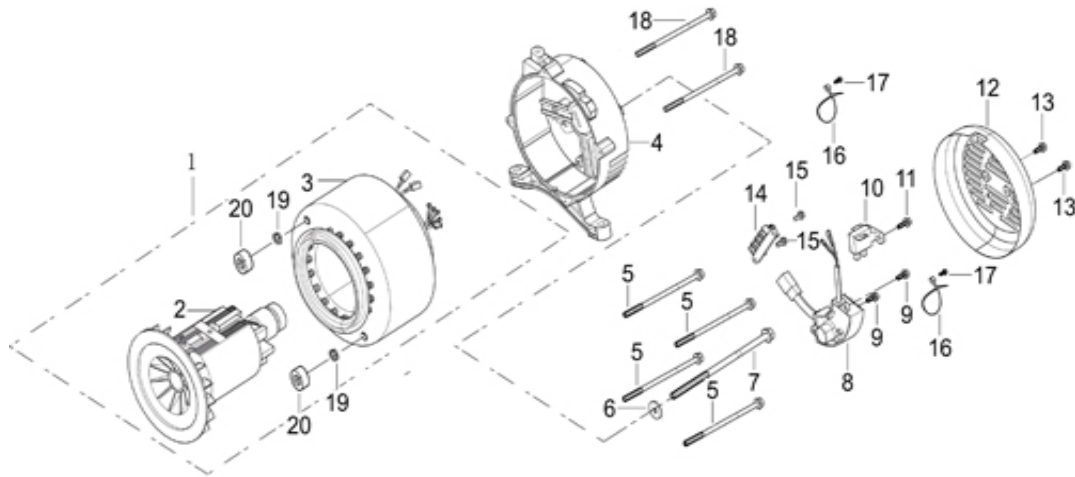


REF NO.	DESCRIPTION	QTY	PART NO.
1	SEAT, PANEL	1	85.571.324
2	PANEL SUBASSEMBLY, CONTROL	1	85.571.269
13	SWITCH SUBASSEMBLY	1	85.571.264
15	VOLTMETER	1	85.571.065
14	SOCKET SUBASSEMBLY, POWER SUPPLY	1	85.571.265
16	SOCKET SUBASSEMBLY, POWER SUPPLY	1	
19	SOCKET SUBASSEMBLY, POWER SUPPLY	1	
20	SOCKET SUBASSEMBLY, POWER SUPPLY	2	
17	BREAKER, DOUBLE-POLE	1	85.571.266
21	PROTECTOR, OVERCURRENT	2	
22	PROTECTOR, OVERCURRENT	1	



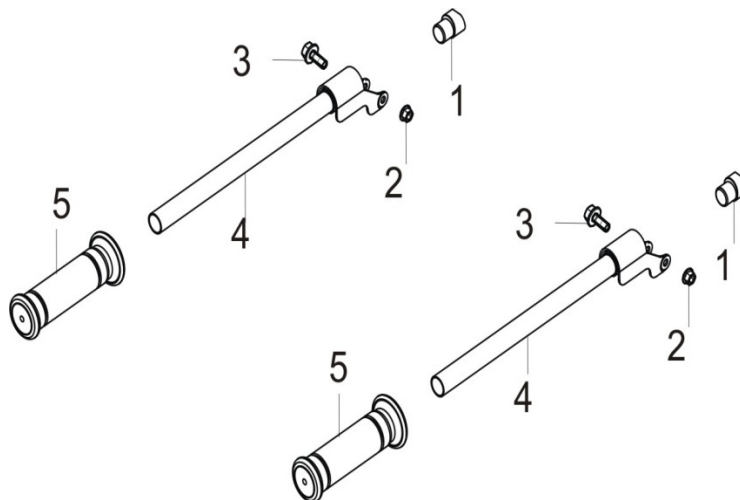
GENERATOR BE-9000ERUSC

ROTOR/STATOR



REF NO.	DESCRIPTION	QTY	PART NO.
1	MOTOR ASSY.	1	85.571.268
4	BRACKET, MOTOR	1	85.571.127
8	REGULATOR, VOLTAGE	1	85.571.093
10	BRUSH SUBASSEMBLY, CARBON	1	85.571.082

TUBE HANDLE



REF NO.	DESCRIPTION	QTY	PART NO.
1	SEAT, HANDLE TUBE CONNECTING	2	85.571.261
2	NUT	2	
3	BOLT	2	
4	TUBE HANDLE	2	
5	SLEEVE,HANDLE RUBBER	2	