

# **PARTS MANUAL**

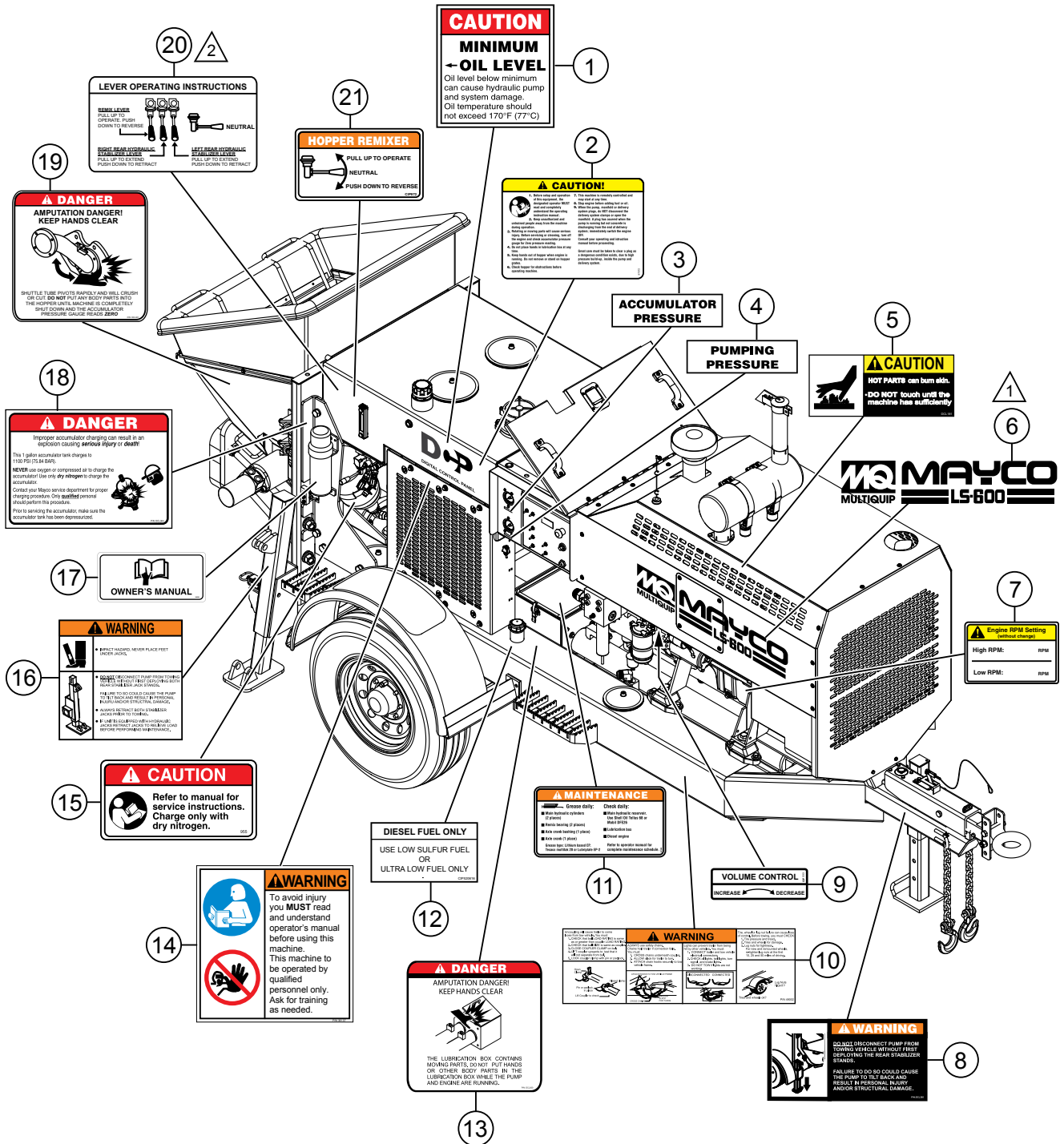


## **MAYCO SERIES MODEL LS600P CONCRETE PUMP (Perkins 1104D-44TA DIESEL ENGINE)**

Revision #2 (06/18/21)

**THIS MANUAL MUST ACCOMPANY THE EQUIPMENT AT ALL TIMES.**

# NAMEPLATE AND DECALS ASSY.



## NOTES:

- ① PLACE DECAL ON LS600 MODELS ONLY.
- ② USE THIS DECAL (OPTION) WHEN HYDRAULIC STABILIZER JACKS ARE INSTALLED.

## NAMEPLATE AND DECALS ASSY.

<u>NO.</u>	<u>PART NO.</u>	<u>PART NAME</u>	<u>QTY.</u>	<u>REMARKS</u>
1	EM511901	DECAL, CAUTION MINIMUM OIL LEVEL	1	
2	EM97072	DECAL, CAUTION OPERATIONS INSTRUCT.	1	
3%	EM97070	DECAL, ACCUMULATOR PRESSURE .....	1.....	INCLUDES ITEM W/\$
4\$	EM97070	DECAL, PUMPING PRESSURE .....	1.....	INCLUDES ITEM W/%
5	DCL302	DECAL, WARNING BURN HAZARD	1	
6	EM517644	DECAL, MQ/MAYCO LS600 LOGO	1	
7	513580	DECAL, ENGINE RPM SETTING	1	
8	DCL305	DECAL, WARNING REAR STABILIZERS	1	
9	EM985	DECAL, VOLUMN CONTROL	1	
10	34627	DECAL, TOWING, WARNING	1	
11	EM97084	DECAL, MAINTENANCE	1	
12	EM995	DECAL, CAUTION DIESEL FUEL	1	
13	DCL300	DECAL, LUBRICATION BOX	1	
14	35137	DECAL, CAUTION READ MANUAL	1	
15	EM955	DECAL, CAUTION DRY NITROGEN	1	
16	518090	DECAL, WARNING IMPACT HAZARD	1	
17	34536	DECAL, OWNER'S MANUAL	1	
18	DCL304	DECAL, DANGER IMPROPER CHARGING	1	
19	DCL301	DECAL, DANGER SHUTTLE TUBE	1	
20	518091	DECAL, LEVER OPERATING INSTRUCT.	1	
21	EM970	DECAL, HOPPER REMIXER	1	

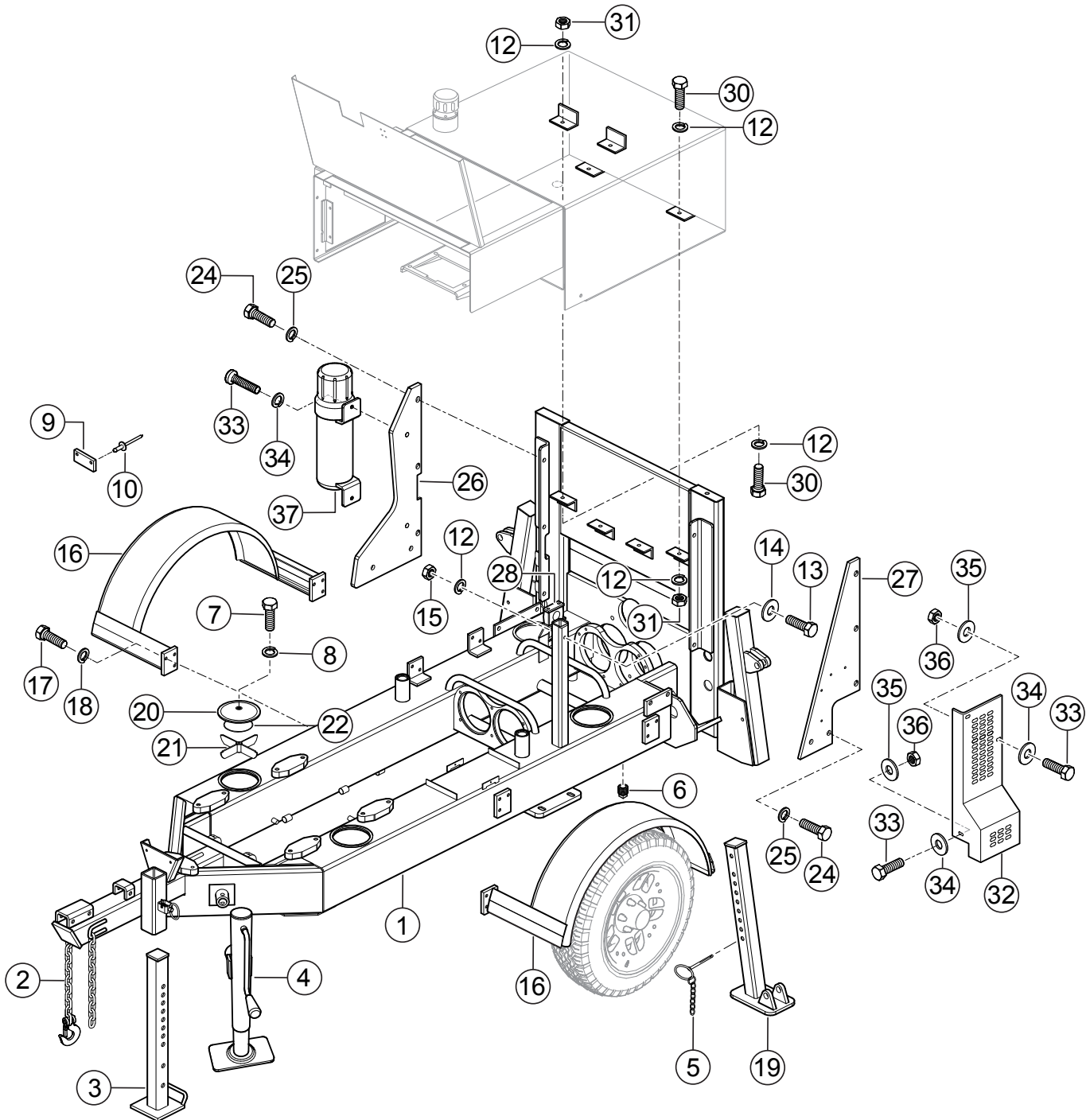


## NAMEPLATE AND DECALS ASSY.

---

<u>NO.</u>	<u>PART NO.</u>	<u>PART NAME</u>	<u>QTY.</u>	<u>REMARKS</u>
1	DCL301	DECAL, DANGER SHUTTLE TUBE	1	
2	518090	DECAL, WARNING IMPACT HAZARD	1	
3	EM510386	DECAL, CAUTION-GREASE 2 HOURS	2	
4	EM511709	DECAL, 800-30-MAYCO	1	
5	EM97072	DECAL, CAUTION OPERATIONS INSTRUCT.	1	
6	EM969	DECAL, CAUTION TOWING	1	
7	EM985	DECAL, HYDRAULIC OIL	1	

# FRAME ASSY.



## FRAME ASSY.

<u>NO.</u>	<u>PART NO.</u>	<u>PART NAME</u>	<u>QTY.</u>	<u>REMARKS</u>
1	518906	FRAME, MAIN	1	
2	EE43513	CHAIN, TRANSPORT W/HOOK, 3/8" X 42"	2	
3	EM70186	JACK STAND, FRONT	1	
4	EM25610	JACK STAND, SWIVEL, TRAILER	1	
5	EM744	CLEVIS PIN	2	
6	491214	PLUG, PIPE	1	
7	505990	BOLT, 1/2" X 2-1/2"	6	
8	520343	O-RING	6	
9	EM942	TAG, ALUMINUM	1	
10	EM491744	RIVET, POP AM-44	2	
12	0166 A	WASHER, LOCK 3/8"	5	
13	503112	BOLT, 3/8" X 2-3/4"	1	
14	3019092	WASHER, 3/8"	2	
15	EM969013	NUT, 3/8"	1	
16	517985	FENDER, BOLT-ON	2	
17	EM504456	BOLT, 1/2-13 X 3/4" HEX. GRD8	12	
18	6109180	WASHER, LOCK 1/2"	12	
19	EM517113	STABILIZER STAND	2	
20	EM800302	COVER	4	
21	EM800304	RETAINER	4	
22	EM800303	O-RING	4	
24	517124	BOLT, 3/4" NC X 1" GRD5	10	
25	492628	WASHER, LOCK 3/4"	10	
26	517092	SUPPORT PLATE, RIGHT	1	
27	517095	SUPPORT PLATE, LEFT	1	
28	EM98048	CLAMP	1	
30	EM963610	CAP SCREW, 3/8" NC X 1-1/4" GRD8	2	
31	492542	NUT, 3/8" NC HEX GRD2	2	
32	EM517742	GUARD, SHUTTLE CYLINDER	1	
33	0202	SCREW, HHC 5/16-18 X 1" ZN	4	
34	EM923023	WASHER, FLAT 5/16"	8	
35	EM923343	WASHER, LOCK 5/16"	4	
36	492541	NUT, 5/16" NC	4	
37	23297	MANUAL HOLDER	1	

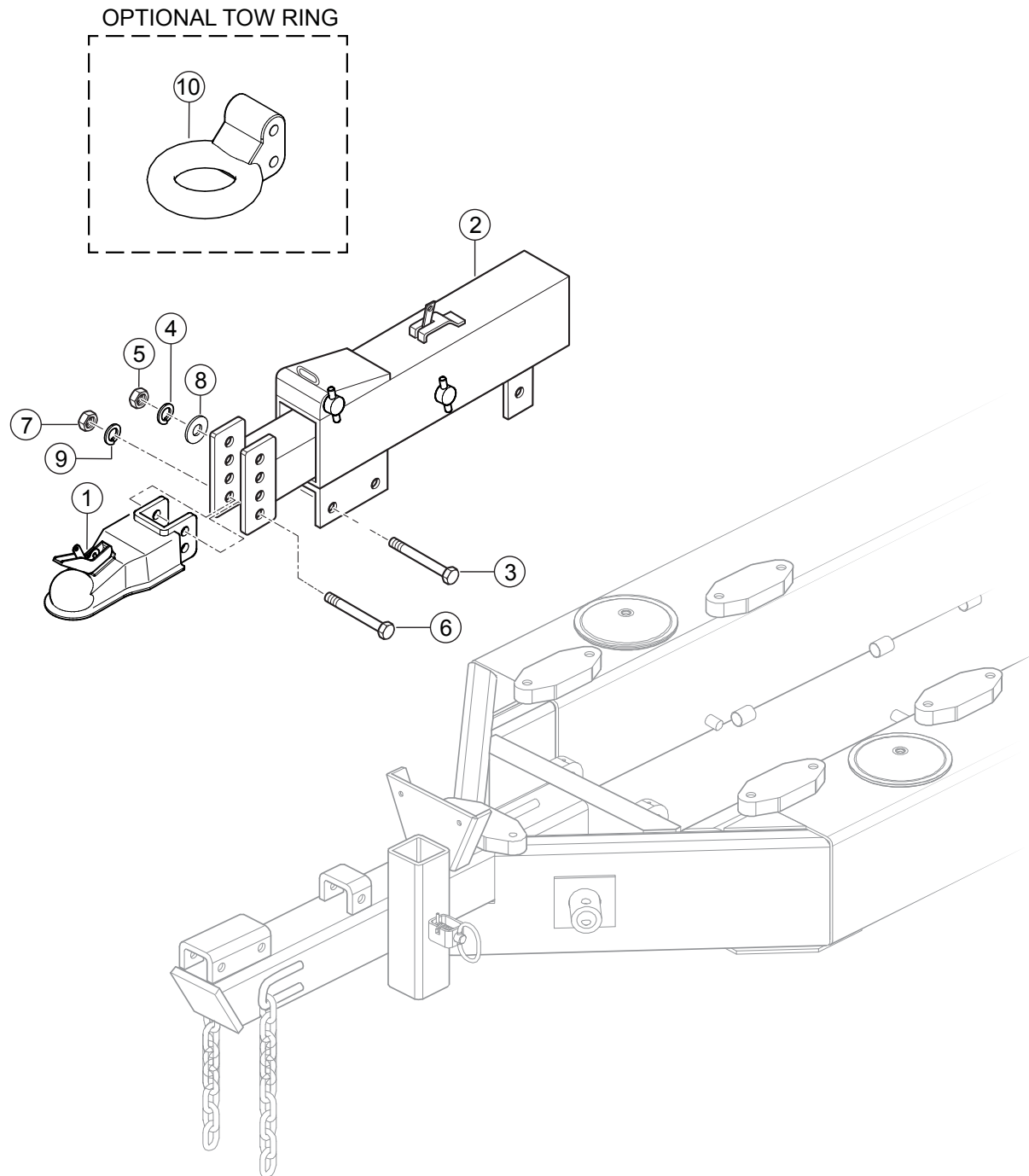


## **AXLE/BRAKE LINE AND LIGHT ASSY.**

---

<u>NO.</u>	<u>PART NO.</u>	<u>PART NAME</u>	<u>QTY.</u>	<u>REMARKS</u>
1	34566	KIT, MAIN BRAKE LINES	1	
2	EM512877	ADAPTOR, STRAIGHT	2	
3	EM512876	ADAPTOR, ELBOW	3	
5	EM515419	HARNESS, BRAKE LIGHTS	1	
6	517963	GUARD, TAIL LIGHT	2	
7	29242	LIGHT, TAIL, BRAKE	2	
8	EM800863	AXLE ASSY., TORSION 7000 LBS	1	
9	EM104	BOLT, 5/8-11 X 2" HEX HD	4	
10	0401450160	WASHER, 5/8" FLAT	8	
12	EM968013	NUT, HEX 5/8-11	4	
13	800684	WHEEL, TIRE/RIM 16" 8 LUG	2	
14	EM26519	NUT, LUG, CHROME	16	
15	801684	CAP, GREASE, CHROME	2	

# TRAILER HITCH ASSY.

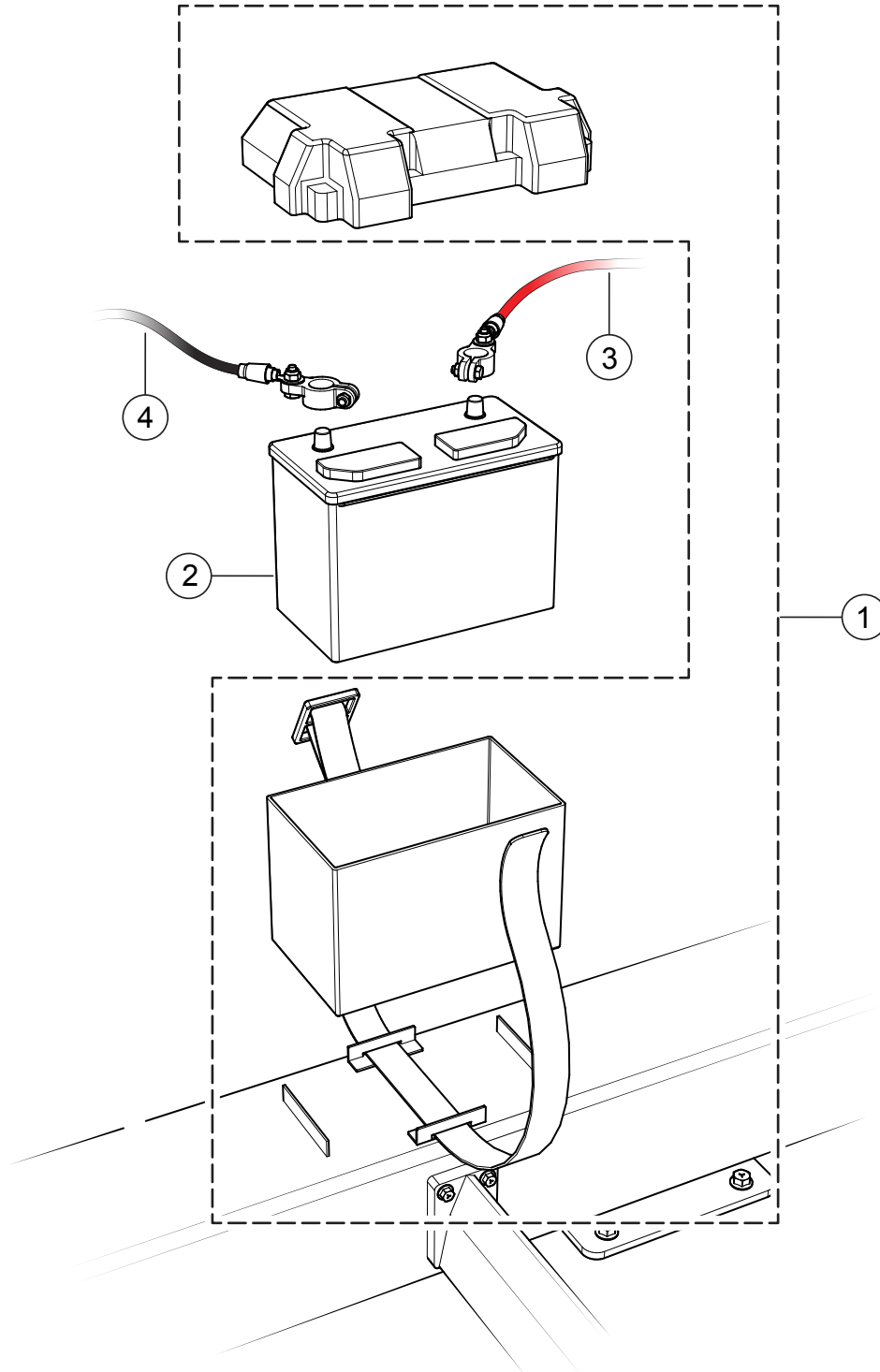


## TRAILER HITCH ASSY.

---

<u>NO.</u>	<u>PART NO.</u>	<u>PART NAME</u>	<u>QTY.</u>	<u>REMARKS</u>
1	29228	COUPLING, 2" BALL, 8000 LBS	1	
1	EE56638	COUPLING, 2-5/16" BALL ADJ., 14,500 LBS ...	1.....	OPTION
2	19067	ACTUATOR, BRAKE	1	
3	503111	BOLT, HEX HD 1/2" NC X 4-1/2" GRD5	3	
4	6109180	WASHER, LOCK 1/2" .....	3.....	REPLACES P/N 492626
5	EM492584	NUT, LOCK 1/2"	3	
6	EM507658	BOLT, HEX HD 5/8" NC X 4-1/2" GRD5	2	
7	EM492586	NUT, LOCK 5/8"	2	
8	6109170	WASHER, FLAT 1/2"	2	
9	EM923348	WASHER, LOCK 5/8"	2	
10	29369	COUPLER, 3" PINTLE EYE, 14,000 LBS.....	1.....	OPTION

# BATTERY BOX ASSY.

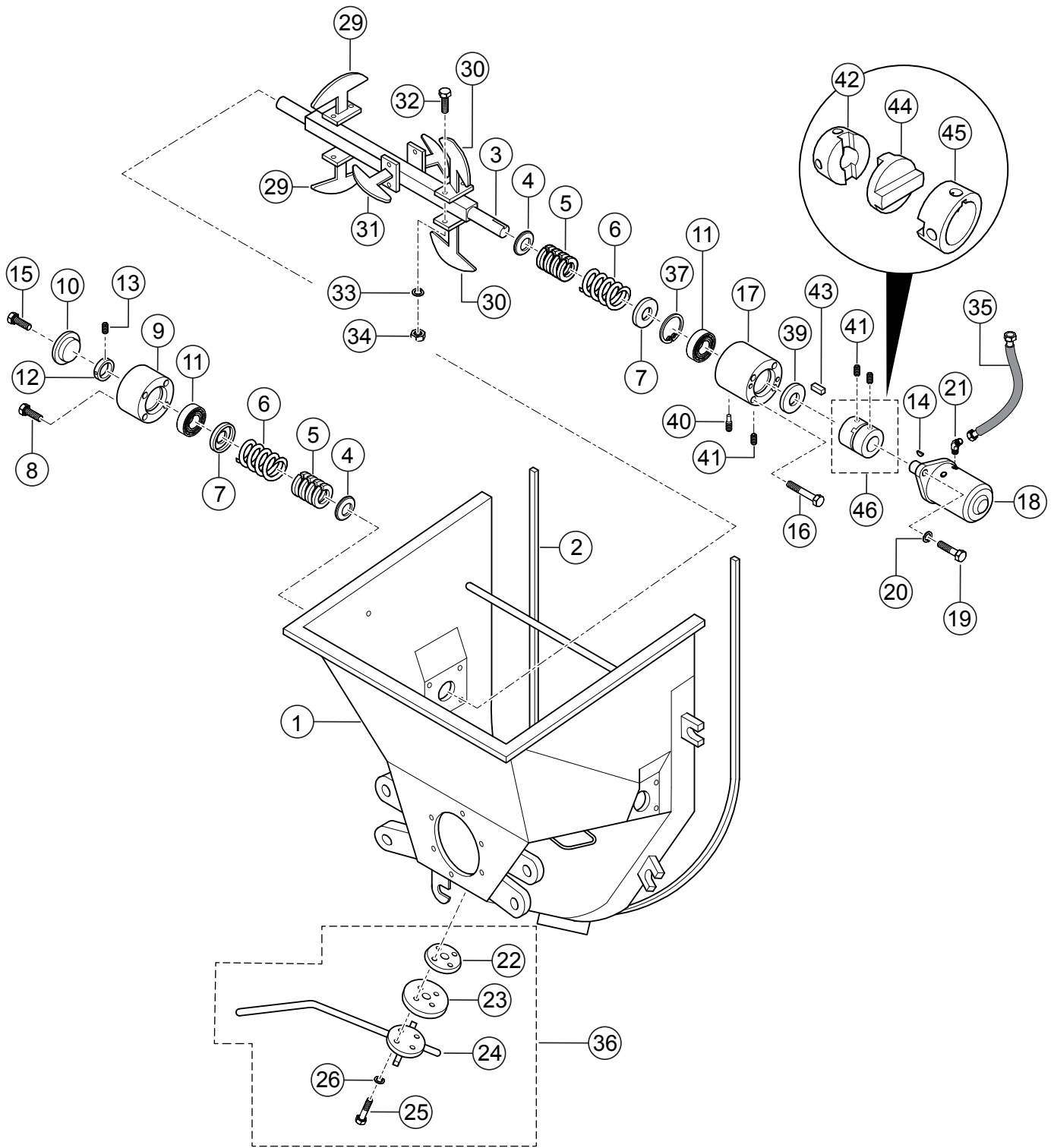


**BATTERY BOX ASSY.**

---

<u>NO.</u>	<u>PART NO.</u>	<u>PART NAME</u>	<u>QTY.</u>	<u>REMARKS</u>
1	34506	BATTERY BOX W/BELT	1	
2		BATTERY 12V.....	1.....	OBTAIN LOCALLY
3	800126	BATTERY CABLE, POSITIVE	1	
4	800127	BATTERY CABLE, NEGATIVE	1	

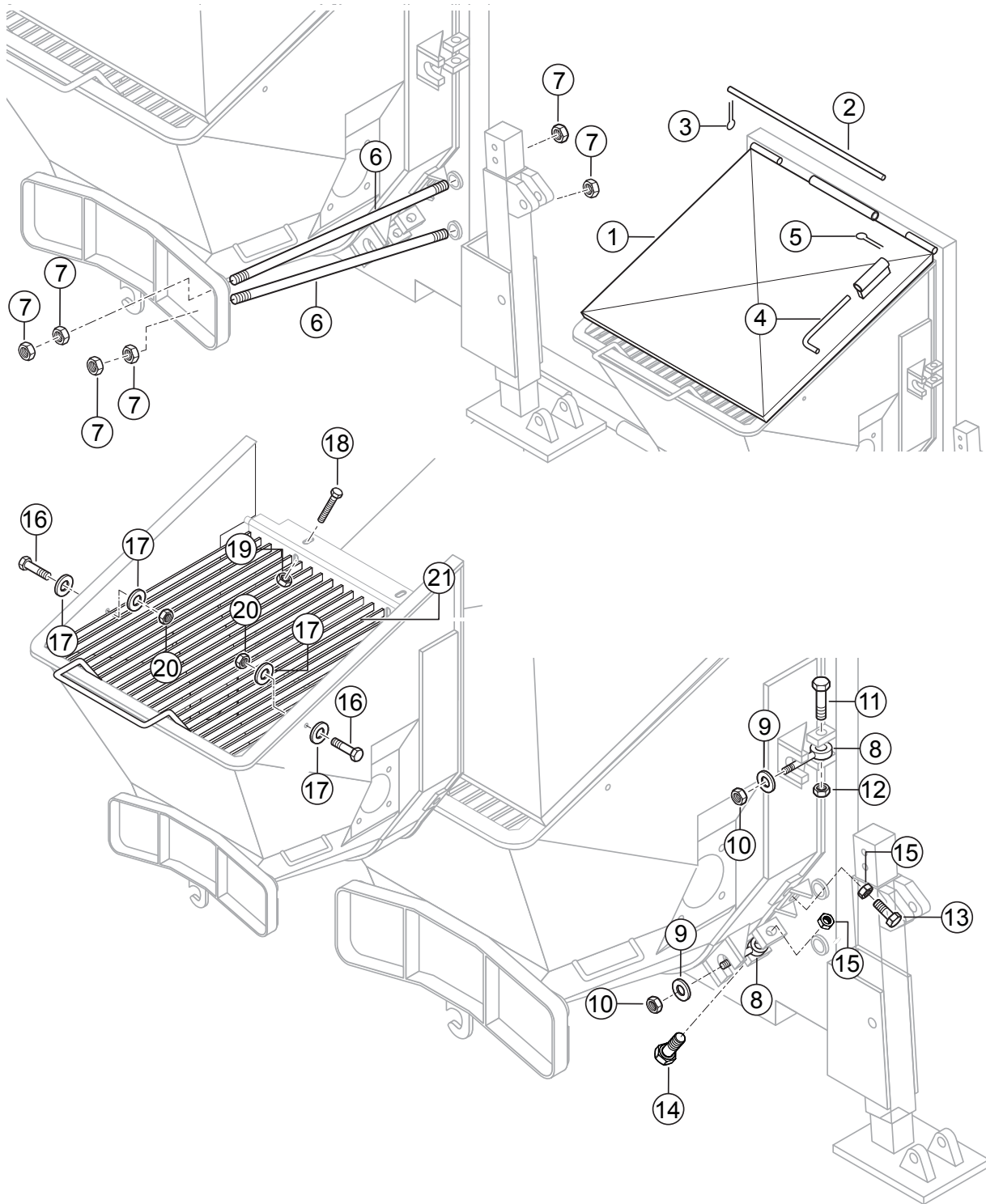
# HOPPER ASSY.



# HOPPER ASSY.

<u>NO.</u>	<u>PART NO.</u>	<u>PART NAME</u>	<u>QTY.</u>	<u>REMARKS</u>
1	EM515980	HOPPER ASSY.	1	
2	EM16184	HOPPER SEAL	1	
3	802873	REMIXER SHAFT	1	
4	EM200303	FOLLOWER RING	2	
5	EM200301	RING, PACKING	8	
6	EM516820	COMPRESSION SPRING	2	
7	EM514339	HOPPER SPRING SEAT	2	
8	EM510717	BOLT, 1/2" X 1-3/4"	4	
9	EM514338	SUPPORT, LEFT	1	
10	EM514706	END CAP, SHAFT SUPT.	1	
11	EM902153	BEARING	2	
12	EM200018	SET COLLAR	1	
13	EM703	SET SCREW	2	
14	EM500264	KEY, 3/8" X 30MM	1	
15	520467	BOLT, 5/16"NF X 1" GRD 8.8	4	
16	511427	SCREW, 1/2-13 X 3" ALLEN HD	4	
17	EM516780	HOUSING	1	
18	EM98108	MOTOR, REMIX	1	
19	505989	SCREW, SOCKET 1/2-13 X 1-1/4" GRD5	2	
20	6109180	WASHER, LOCK 1/2"	2	
21	EM25508	ADAPTER, FITTING	2	
22\$	EM708601	PISTON CUP HOLDER	1	
23\$	EM50417	PISTON CUP	1	
24\$	EM508830	HANDLE	1	
25\$	492378	BOLT, 3/8" X 1-3/4"	4	
26\$	0166 A	WASHER, LOCK 3/8"	4	
29	EM514031	PADDLE ARM, END	2	
30	EM514032	PADDLE ARM, MOTOR END	2	
31	EM514033	PADDLE ARM, CENTER	2	
32	EM963110	BOLT, HX HD 1/2-13 X 3-1/4"	6	
33	6109180	WASHER, LOCK 1/2"	6	
34	492589	NUT, HEX 1/2"	6	
36	EM70860	HOPPER CLEANOUT PLUG ASSY. ....	1.....	INCLUDES ITEMS W/\$
37	EM490985	RETAINING RING	1	
39	EM516799	SPACER, 6MM	1	
40	EM702	SET SCREW, DOG POINT 3/8"	1	
41%	EM703	SET SCREW, 3/8"	3	
42%		REMIX SHAFT COUPLER .....	1.....	NOT SOLD SEPARATELY
43	EM500264	SQUARE KEY, 3/8" X 30MM	1	
44%		DRIVE MEMBER COUPLER.....	1.....	NOT SOLD SEPARATELY
45%		MOTOR SHAFT COUPLER.....	1.....	NOT SOLD SEPARATELY
46	802590	COUPLER ASSY.....	1.....	INCLUDES ITEMS W/%

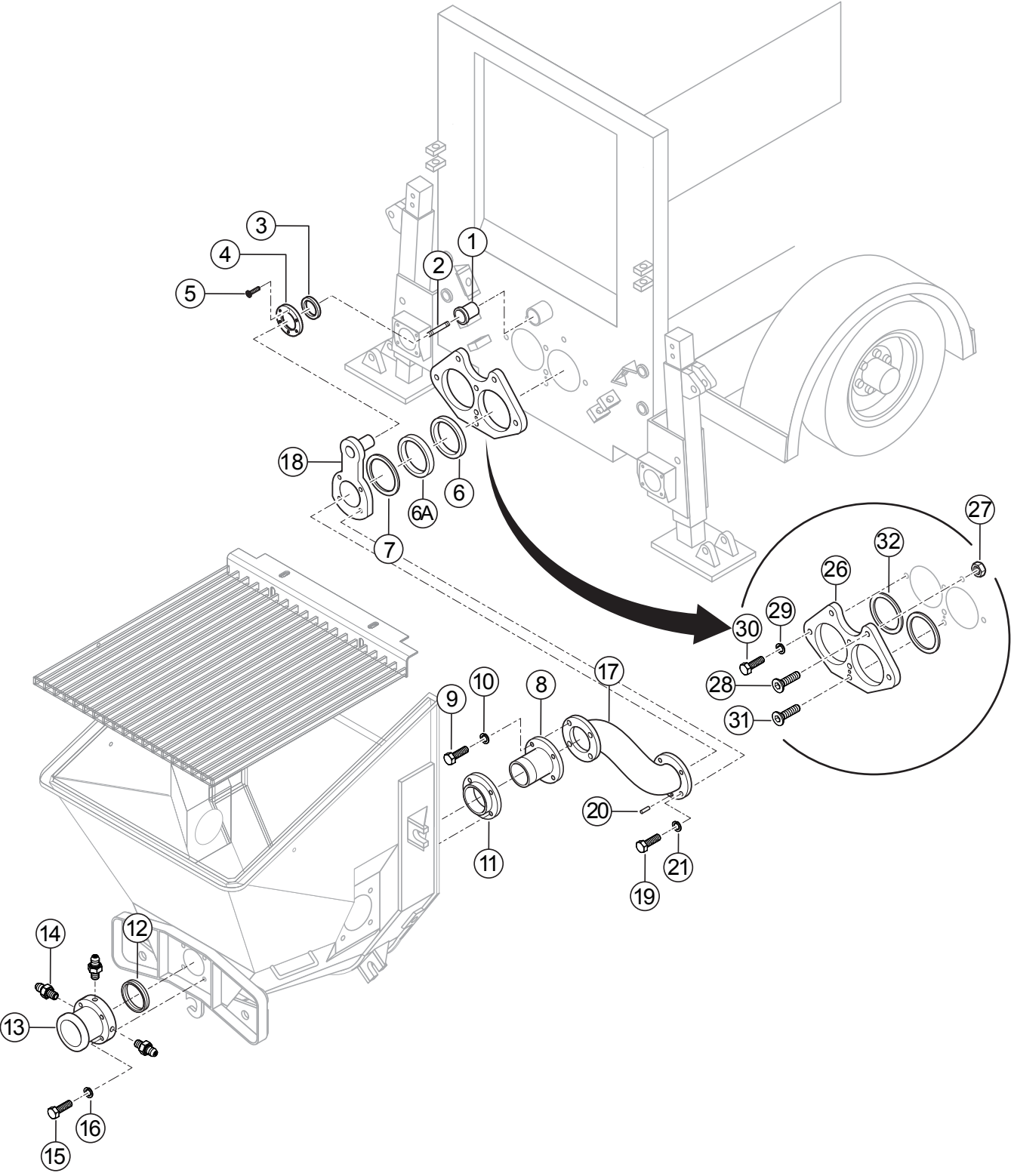
# HOPPER ATTACHMENT ASSY.



## HOPPER ATTACHMENT ASSY.

<u>NO.</u>	<u>PART NO.</u>	<u>PART NAME</u>	<u>QTY.</u>	<u>REMARKS</u>
1	EM514204	SPLASH PLATE	1	
2	EM514620	HINGE PIN	1	
3	EM491686	COTTER PIN, 1/8" X 1-1/2"	1	
4	EM70134-2	PIN, SPLASH PLATE	1	
5	EM505723	COTTER PIN, 5/32" X 1-1/2"	1	
6	EM16166	TIE ROD	4	
7	EM424	NUT, HEX HD 1" NC.....	12.....	REPLACES P/N 505728
8	EM14165	EYE BOLT, 3/4"	4	
9	EM619	O-RING, 3/4"	4	
10	EM968446	NUT, HEX 3/4"	4	
11	505121	BOLT, 3/4" X 3"	4	
12	EM968446	NUT, HEX 3/4"	4	
13	505123	BOLT, HEX HD 1/2" X 2-1/2"	2	
14	492491	BOLT, HEX HD 1/2" X 1-1/2"	1	
15	6109160	NUT, HEX 1/2"	3	
16	492379	SCREW, CAP 3/8"	2	
17	3019092	WASHER, FLAT 3/8"	4	
18	515395	BOLT, 7/16" NC X 4" GRD5	2	
19	492584	NUT, LOCK 1/2"	2	
20	EM969013	NUT, NYLOC	2	
21	EM514357	HOPPER SCREEN	1	

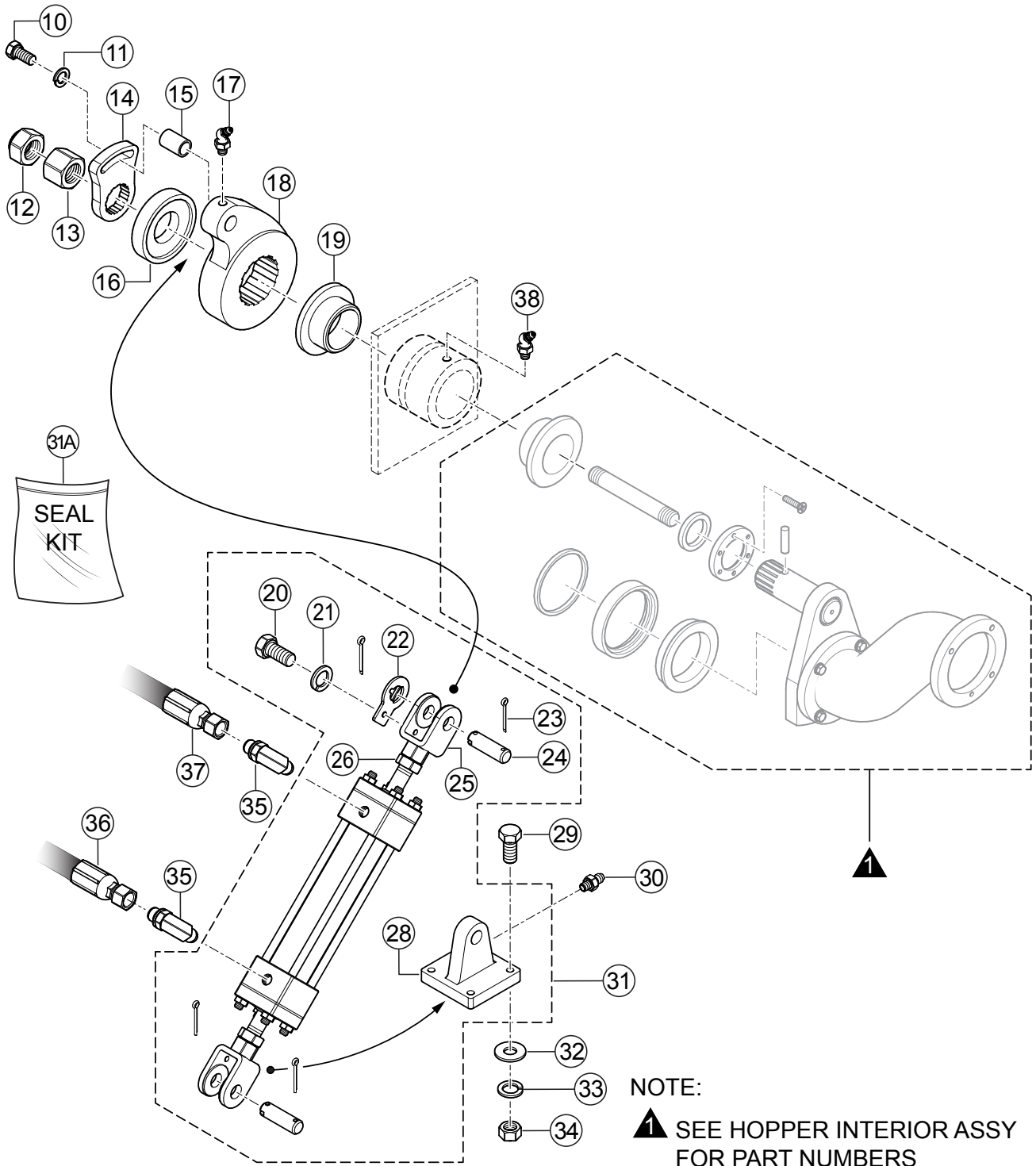
# HOPPER INTERIOR ASSY.



## HOPPER INTERIOR ASSY.

<u>NO.</u>	<u>PART NO.</u>	<u>PART NAME</u>	<u>QTY.</u>	<u>REMARKS</u>
1	EM800609	BUSHING, HOPPER SIDE	1	
2	EM284	STUD, 1-14 X 5" GRD 8	1	
3	800426	RUBBER SEAL	1	
4	800427	RETAINER PLATE	1	
5	506176	BOLT, 5/16-18 X 1" FHAS	6	
6	EM98022	WEAR RING HF	1	
6A	EM168161A	RING, ENERGIZER RUBBER	1	
7	EM168162	RING, INSERT STEEL	1	
8	EM16804	SLEEVE 5"	1	
9	EM104	BOLT, 5/8" X 2"	4	
10	EM923348	WASHER, LOCK 5/8"	4	
11	EM25803	BEARING, DISCHARGE PLATE	1	
12	EM98065	SEAL, GROOVED RUBBER	1	
13	EM512212	DISCHARGE NIPPLE	1	
14	491701	GREASE FITTING	3	
15	EM210	BOLT, 5/8" X 2"	6	
16	6109180	WASHER, 1/2"	6	
17	EM16811	SHUTTLE CYLINDER	1	
18	EM25843	NUN PLATE	1	
19	EM104	BOLT, HEX HD 5/8" X 2"	4	
20	419719	PIN	1	
21	EM923348	WASHER, LOCK 5/8"	4	
26	EM98021A	WEAR PLATE, ONE SIDED	1	
27	EM968013	NUT, HEX 5/8-11 BRT. FIN.	2	
28	EM265	BOLT, 5/8-11 X 3" COUNTER SUNK	2	
29	492628	WASHER, LOCK 3/4"	2	
30	EM151	BOLT, HEX HD 3/4-10 X 2"	2	
31	EM264	BOLT, 1/2-13 X 3"	1	
32	EM517700	O-RING	2	

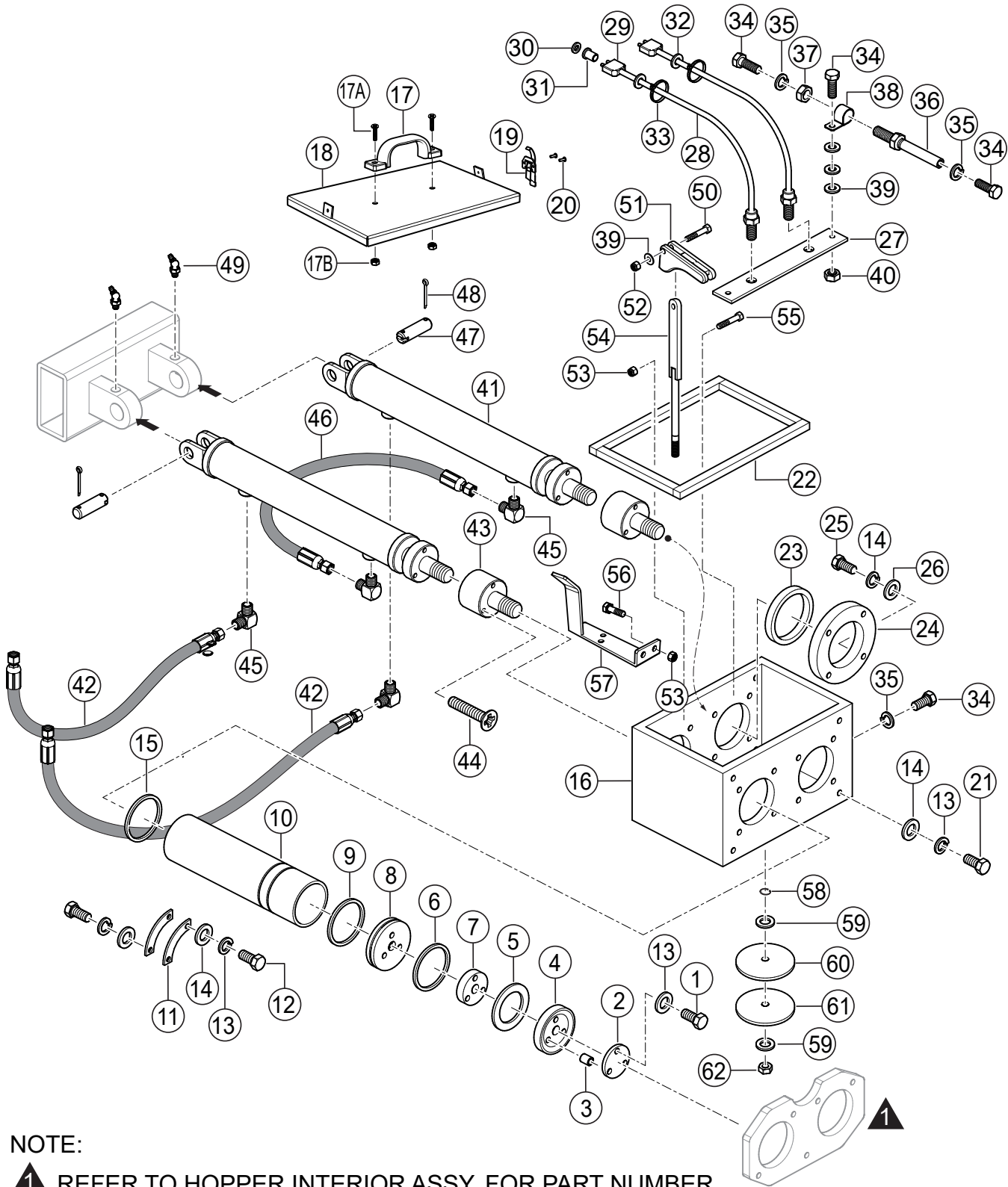
# SHUTTLE CYLINDER ASSY.



## SHUTTLE CYLINDER ASSY.

<u>NO.</u>	<u>PART NO.</u>	<u>PART NAME</u>	<u>QTY.</u>	<u>REMARKS</u>
10	EM963692	BOLT, 1/2" UNC X 1-1/2"	1	
12	EM417	NUT, FLEX LOCK 1-14NF GRD 5	1	
13	EM509221	NUT, 1-14UNF, GRD 5	1	
14	518555	CRANK ARM NUT LOCK	1	
15	518556	BUSHING, CRANK ARM	1	
16	EM16814	SHUTTLE TENSIONER	1	
17	EM50449	FITTING ELBOW	1	
18	510514	SHUTTLE CRANK, SPLINED SHAFT	1	
19	EM16145A	BUSHING, SWING AXLE	1	
20\$	492363	BOLT, 5/16" NC X 3/4" GRD 5	1	
21\$	EM923343	WASHER, LOCK 5/16"	1	
22\$	802009	LOCK	1	
23\$	EM924008	COTTER PIN, 1/8" X 1-1/2"	4	
24\$	521139	WRIST PIN	2	
25\$	521141	FEMALE CLEVIS	1	
26\$	515249	NUT, JAM 1-14	2	
28\$	EM254549	PIVOT BRACKET	1	
29	492397	SCREW, 1/2"NC X 2-1/2" GRD 5	4	
30	EM505490	GREASE FITTING	2	
31	EM98106	CYLINDER SHUTTLE ASSY. ....	1.....	INCLUDES ITEMS W/\$
31A	EM98106SK	SEAL KIT, SHUTTLE CYLINDER	1	
32	EM621	WASHER, 1/2"	4	
33	6109180	WASHER, LOCK 1/2"	4	
34	492584	NUT, LOCK 1/2"NC	4	
35	3322	FITTING, 90° 10MJ-10MO	2	
36	802797	HOSE, HYDRAULIC	1	
37	802798	HOSE, HYDRAULIC	1	
38	EM510684	GREASE FITTING	1	

# LUBRICATION PISTONS ASSY.



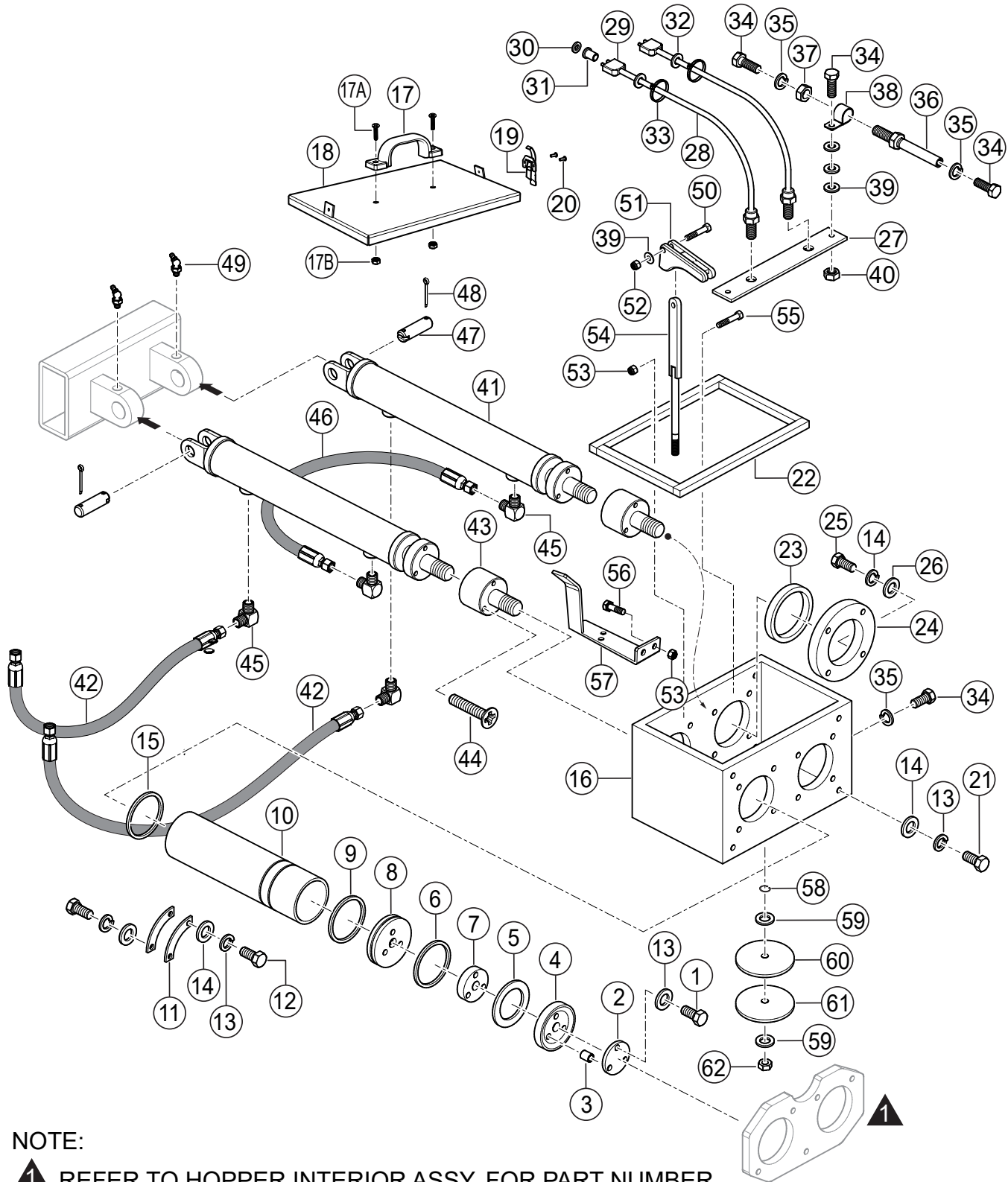
NOTE:

**1** REFER TO HOPPER INTERIOR ASSY. FOR PART NUMBER

## LUBRICATION PISTONS ASSY.

<u>NO.</u>	<u>PART NO.</u>	<u>PART NAME</u>	<u>QTY.</u>	<u>REMARKS</u>
1	510265	BOLT, HX HD 3/8"NC X 3-1/2" GRD 8	6	
2	EM16454	FACE PLATE	2	
3	EM16465	PISTON CUP SPACER	6	
4	EM98050	CUP, PISTON-ORANGE	2	
5	EM14408	RING, BRONZE	2	
6	EM16493	RING, FELT	2	
7	EM16462	FELT HOLDER	2	
8	EM98033	OILER PLATE W/HOLES	2	
9	EM14407	O-RING, OILER PLATE	2	
10	EM25801	CYLINDER, CONCRETE	2	
11	EM25110	RETAINER, CYLINDER	4	
12	EM963610	CAP SCREW, 3/8"NC X 1-1/4" GRD 8	8	
13	0166 A	WASHER, LOCK 3/8"	20	
14	3019092	WASHER, FLAT 3/8"	22	
15	EM16174	O-RING, A440	2	
16	802761	LUBRICATION BOX	1	
17	802751	HANDLE, PLASTIC	1	
17A	513312	BOLT, 1/4" X 1"	2	
17B	492581	NUT, 1/4-20 NYLON LOCK	2	
18	802997	COVER, LUBRICATION BOX	1	
19	EM514610	LATCH, COVER	1	
20	491754	RIVET, AM-66	4	
21	492378	BOLT, 3/8"NC X 1-3/4"	6	
22	800033	SEAL, SQUARE	1	
23	EM274351	SEAL, LUBE BOX	2	
24	EM50425	FLANGE, RING	2	
25	492451	BOLT, 3/8-24 X 1"	8	
26	EM50443	SEAL, OIL BOX	8	
27	EM514208	BAR, PROXIMITY SWITCH SUPPORT	2	
28	EM98163	SWITCH, PROXIMITY W/CABLE	2	
29	EM98135	HOUSING, FEMALE	2	
30	EM98134	SEAL, CONNECTOR HOUSING	6	
31	EM98138	TERMINAL PIN, FEMALE	6	
32	514611	GROMMET	2	
33	EM504505	TIE WRAP	8	
34	492303	SCREW, 5/16-18 X 1-1/4"	6	
35	EM923343	WASHER, LOCK 5/16"	6	
36	EM514216	ADJUSTMENT ROD, PROX. SWITCH	2	
37	6109160	NUT, HEX 1/2"	4	
38	EM514207	BRACKET, ADJUSTMENT ROD	2	
39	923023	WASHER, FLAT 5/16"	7	
40	2105164	NUT, 5/16"	2	

# LUBRICATION PISTONS ASSY. (CONT'D.)



NOTE:

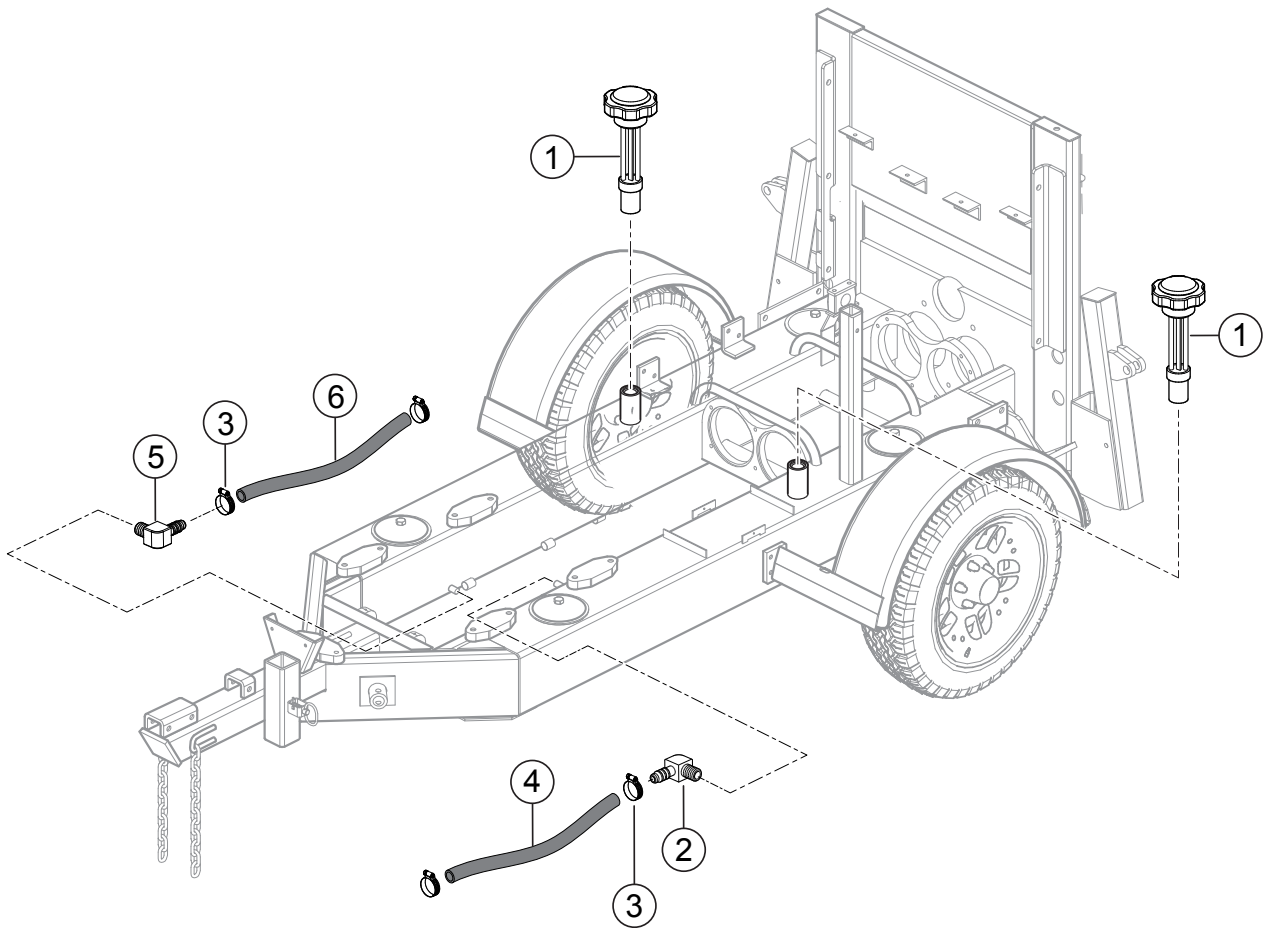
▲ REFER TO HOPPER INTERIOR ASSY. FOR PART NUMBER

## **LUBRICATION PISTONS ASSY. (CONT'D.)**

---

<b><u>NO.</u></b>	<b><u>PART NO.</u></b>	<b><u>PART NAME</u></b>	<b><u>QTY.</u></b>	<b><u>REMARKS</u></b>
41	EM98211	CYLINDER, HYDRAULIC, MAIN	2	
42	EM514920	HOSE, HYDRAULIC, MAIN CYL.	2	
43	EM514202	EXTENSION SPACER	2	
44	EM185	BOLT, SOCKET HEAD 3/8-16 X 3"	6	
45	EM25497	FITTING, 90°	4	
46	514067	HOSE, HYDRAULIC SLAVE	1	
47	EM16459	PIN, WRIST	2	
48	EM505723	PIN, COTTER	4	
49	EM491701	FITTING, GREASE	2	
50	492379	SCREW, CAP 3/8"	1	
51	802678	LEVER, RELEASE	1	
52	EM969013	NUT, NYLOK 3/8"NC	1	
53	2105164	NUT, NYLOK 5/16-18	1	
54	802677	PLUNGER, ROD	1	
55	2105162	BOLT, 5/16"NC X 1-3/4" GRD 5	2	
56	0202	SCREW, HHC 5/16-18 X 1" ZN	2	
57	802850	BRACKET, HOSE	1	
58	802955	RETAINING RING	1	
59	492599	WASHER, 1/2"	2	
60	802682	RUBBER SEAL	1	
61	802681	SEAL PLATE	1	
62	492584	NUT, LOCK 1/2"	1	

# FUEL TANK ASSY.

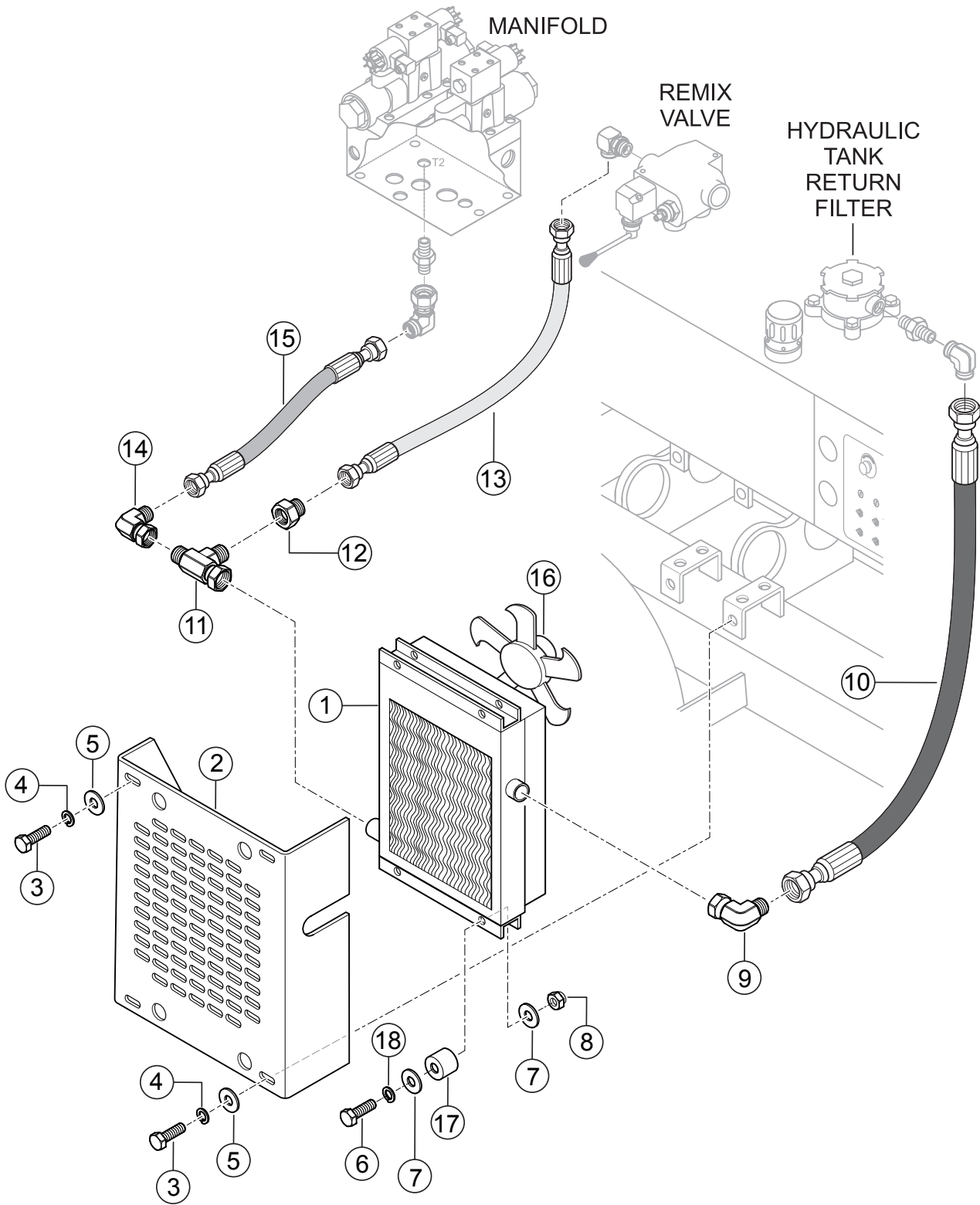


## FUEL TANK ASSY.

---

<u>NO.</u>	<u>PART NO.</u>	<u>PART NAME</u>	<u>QTY.</u>	<u>REMARKS</u>
1	34507	FUEL CAP W/GAUGE	2	
2	EM514559	ELBOW, ADAPTER 90° MALE	1	
3	506208	CLAMP	4	
4	EM514536	HOSE, FUEL RETURN 5/16" .....	A/R.....	1 PC. =1 FT.
5	EM20426	ELBOW, BRASS 1/4" X 1/4" H	1	
6	EM20427	HOSE, 1/4" FUEL .....	A/R.....	1 PC. =1 FT.

# HEAT EXCHANGER ASSY.

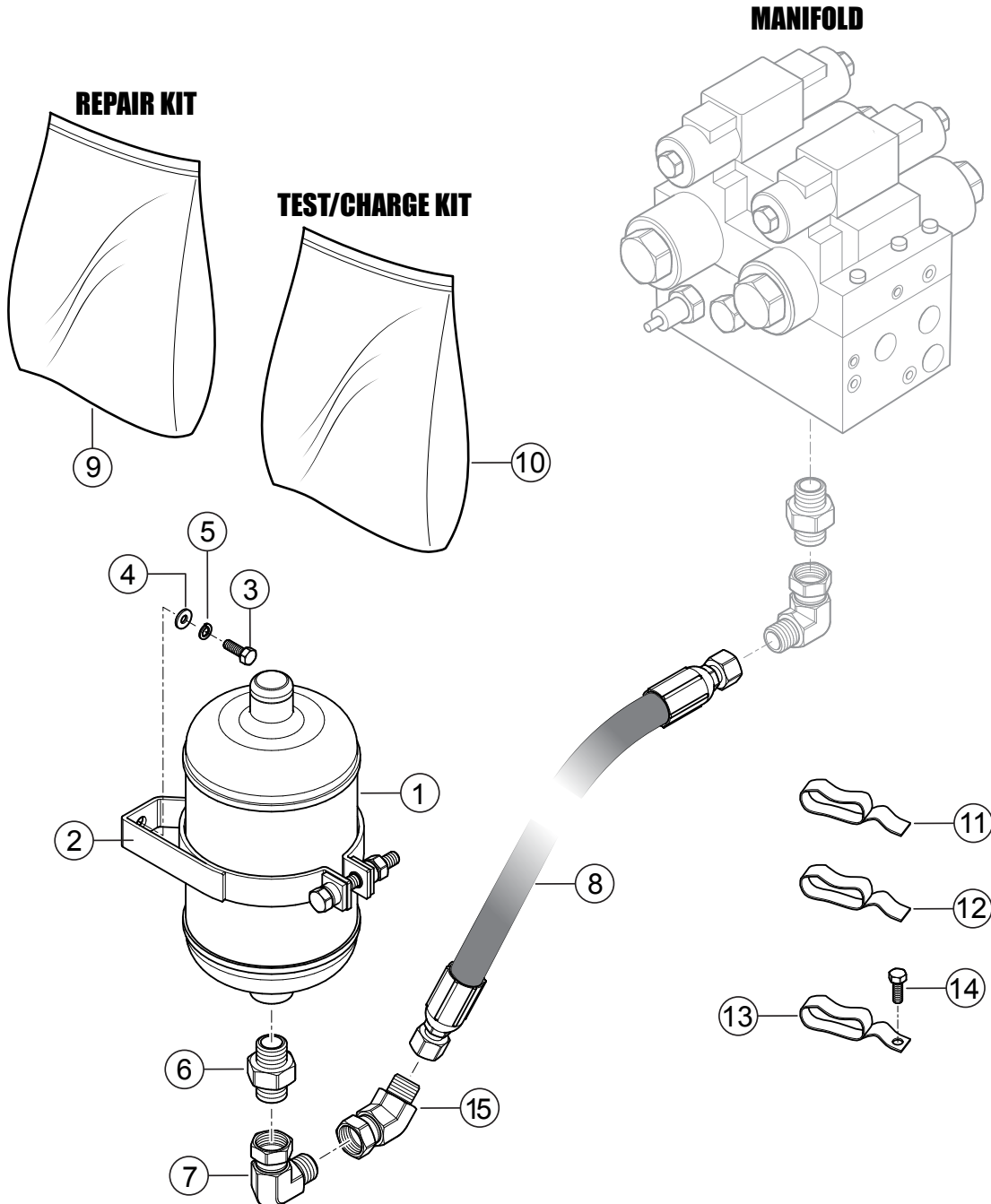


## HEAT EXCHANGER ASSY.

---

<u>NO.</u>	<u>PART NO.</u>	<u>PART NAME</u>	<u>QTY.</u>	<u>REMARKS</u>
1	EM518993	HEAT EXCHANGER ASSY.	1	
2	EM519002	COVER, HEAT EXCHANGER	1	
3	EM963610	CAP SCREW, 3/8" NC X 1-1/4" GRD 8	4	
4	0166 A	WASHER, LOCK 3/8"	4	
5	3019092	WASHER, FLAT 3/8"	4	
6	EM492366	BOLT 5/16 X 1-1/2"	4	
7	EM923023	WASHER, FLAT 5/16"	8	
8	2105164	NUT 5/16"	4	
9	EM25497	FITTING	1	
10	EM514607	HOSE 4000 PSI	1	
11	EM25566	TEE 1", O-RING HYD. FITTING	1	
12	EM509345	FITTING	1	
13	EM514606	HOSE, 2000 PSI	1	
14	EM509401	ADAPTER	1	
15	519136	HOSE, 2000 PSI	1	
16	EM518993FM	MOTOR AND FAN ASSY.	1	
17	519271	CUSHION	2	
18	EM923343	WASHER, LOCK 5/16"	8	

# ACCUMULATOR ASSY.

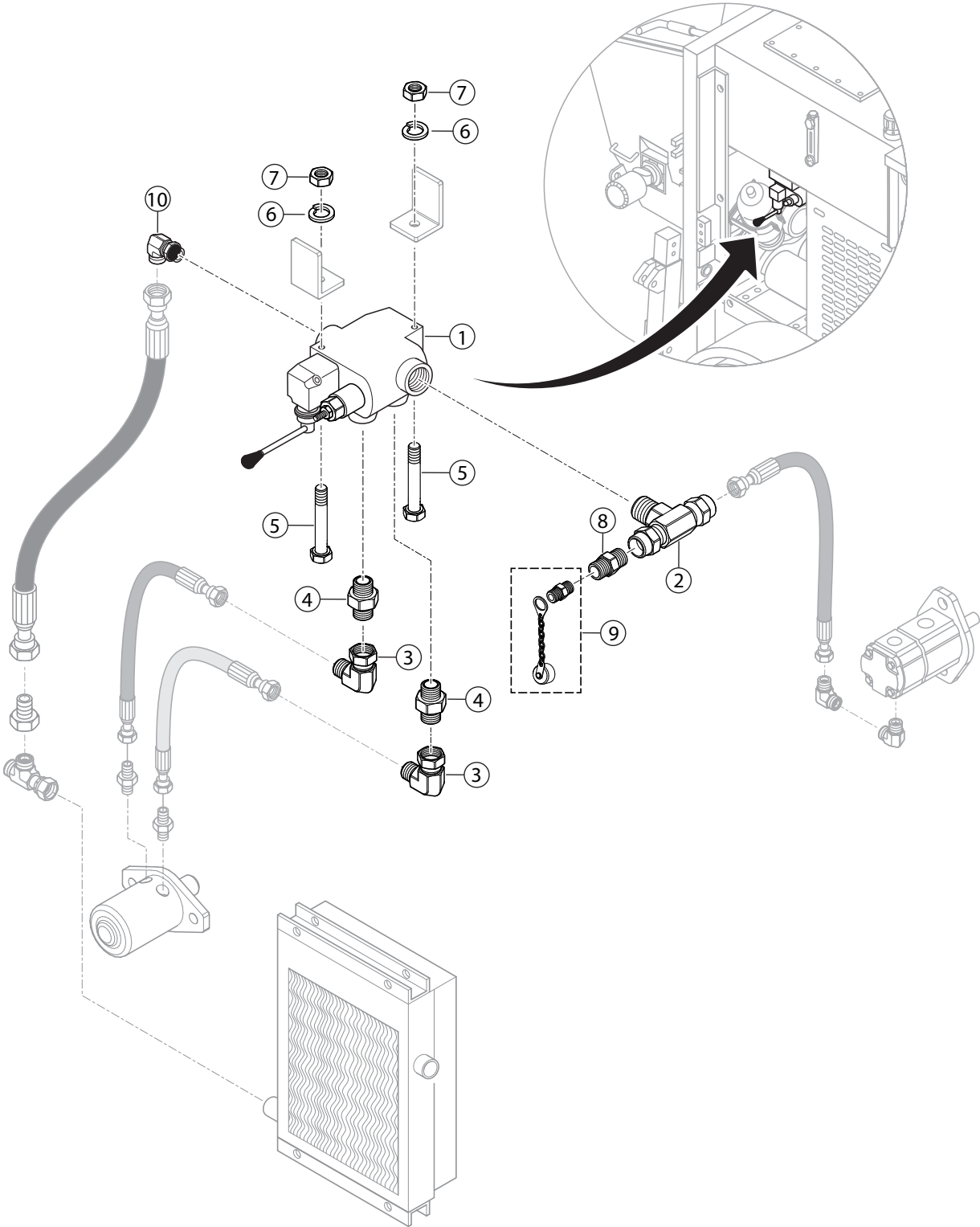


## ACCUMULATOR ASSY.

---

<u>NO.</u>	<u>PART NO.</u>	<u>PART NAME</u>	<u>QTY.</u>	<u>REMARKS</u>
1	EM97015	ACCUMULATOR 1 GAL.	1	
2	EM97016	BRACKET, ACCUMULATOR	1	
3	EM963055	BOLT, HHCS 3/8" NC X 3/4" GRD 5	2	
4	3019092	WASHER, FLAT 3/8"	2	
5	0166 A	WASHER, LOCK 3/8"	2	
6	EM509425	FITTING, STRAIGHT	1	
7	EM509353	FITTING, 90° ELBOW	1	
8	EM514603	HOSE, ACCUMULATOR	1	
9	EM98009	KIT, ACCUMULATOR REPAIR	1	
10	EM98052	KIT, ACCUMULATOR TEST/CHARGE	1	
11	EM515105	STRAP CINCH 4" STD DUTY	2	
12	EM515106	STRAP CINCH 6" STD DUTY	6	
13	EM515107	STRAP HANGING, 8" HVY DUTY	2	
14	EM492299	BOLT, HEX HD 5/16" X 1/2"	2	
15	518198	ADAPTER, ELBOW 45 DEGREE	1	

# REMIXER CONTROL ASSY.




## REMIXER CONTROL ASSY.

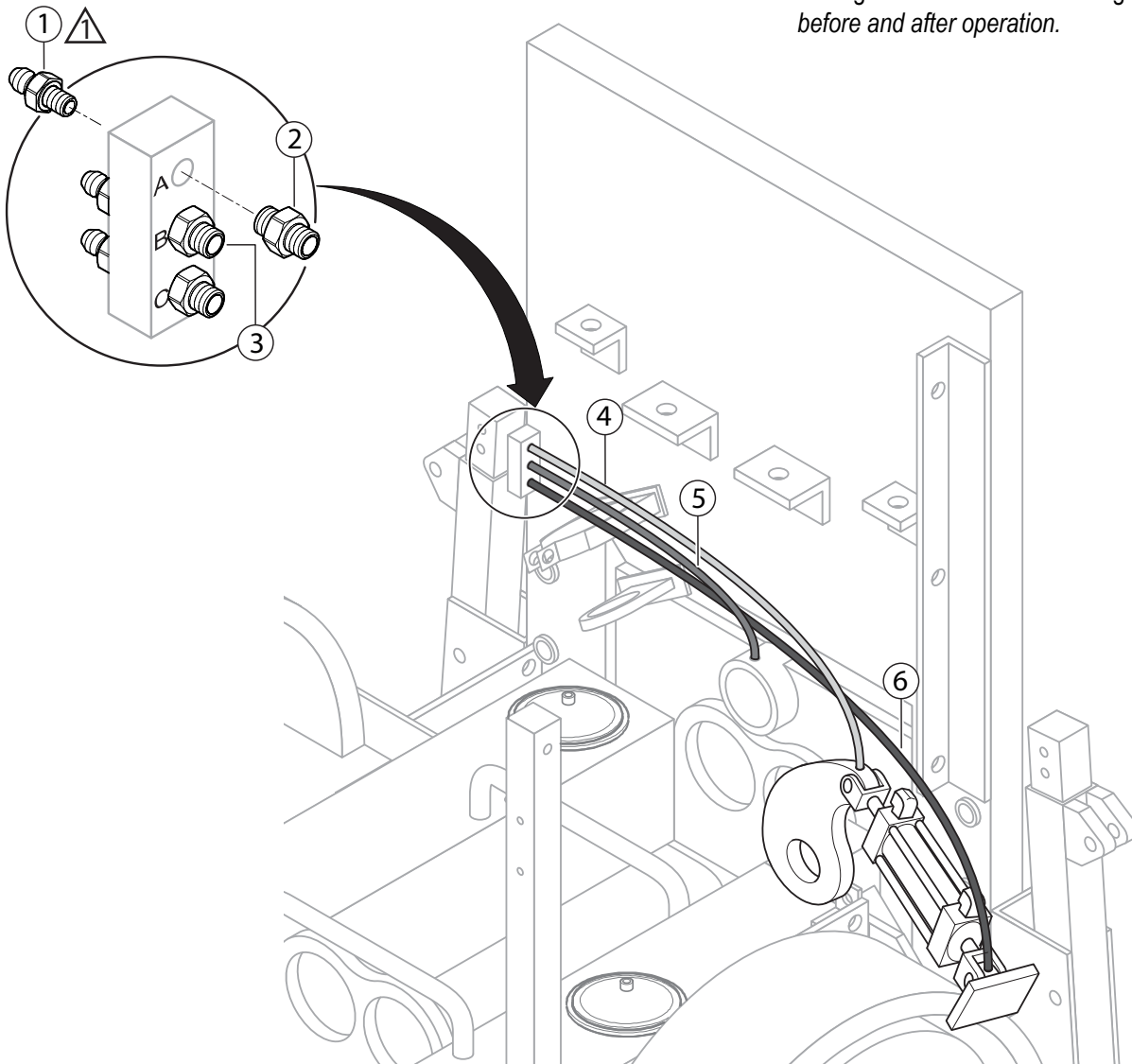
---

<u>NO.</u>	<u>PART NO.</u>	<u>PART NAME</u>	<u>QTY.</u>	<u>REMARKS</u>
1	EM97017	VALVE REMIXER W/LEVER	1	
2	515384	ADAPTER FITTING, TEE	1	
3	506195	FITTING, 90° ELBOW	1	
4	EM25509	ADAPTER FITTING, STRAIGHT	2	
5	EM218	BOLT 5/16" X 2-1/2"	2	
6	EM923343	WASHER, LOCK 5/16"	2	
7	2105164	NUT, HEX 5/16"	2	
8	EM98015	COUPLING 1/4" PIPE	1	
9	EM98014	TEST PORT	1	
10	EM25507	FITTING, 90° ELBOW	1	

# LUBRICATION PANEL ASSY.

**NOTE:**

 Grease daily, two or three shots of #2 multipurpose automotive grease. Overgreasing any bearing will not damage the machine. **ALWAYS** grease *before and after* operation.



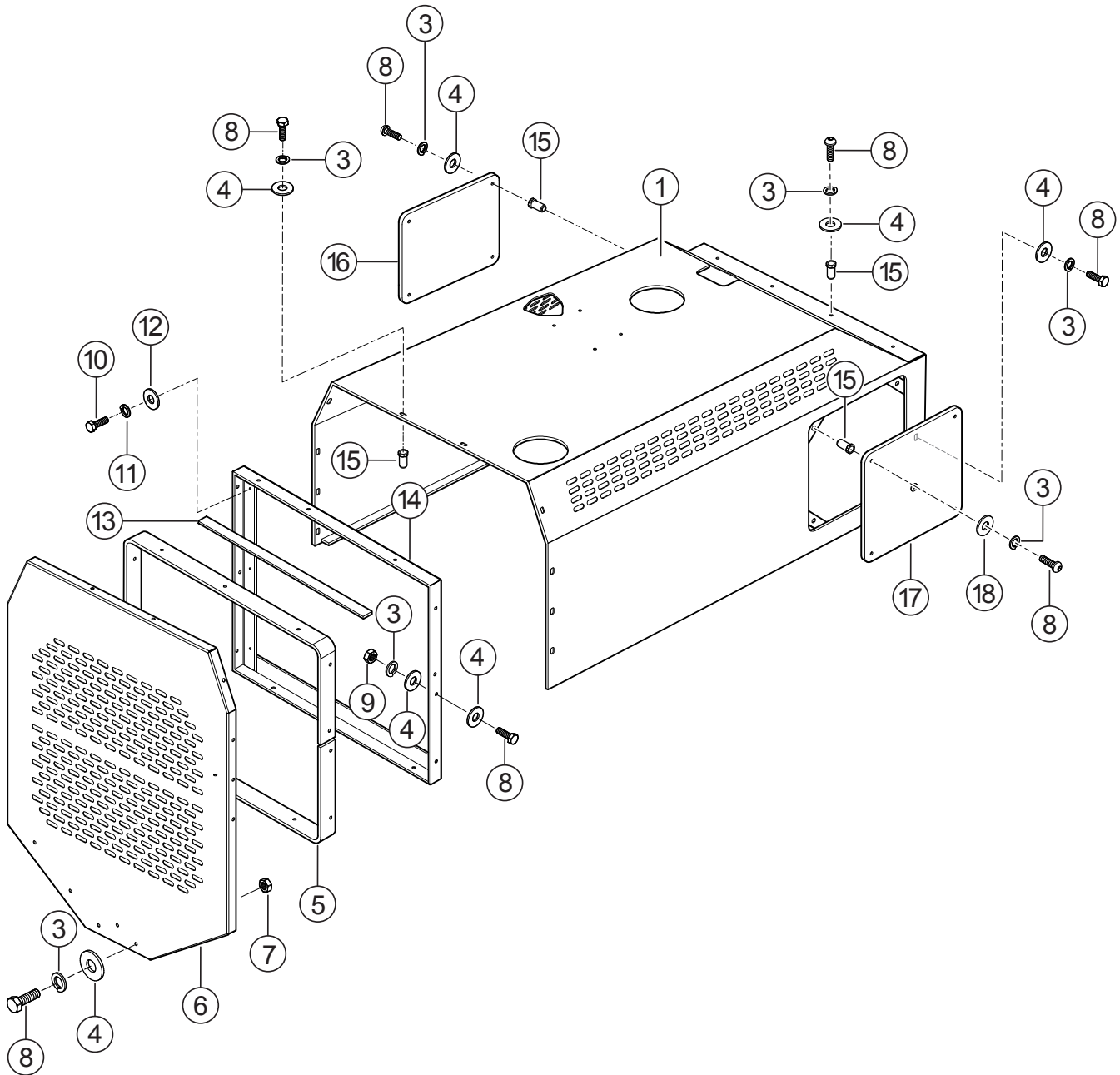
<u>POSITION</u>	<u>LOCATION</u>	<u>LENGTH OF LINES</u>
A .....	CLEVIS GREASE POINT .....	34 in. (1.1 m)
B .....	SWING AXLE BUSHING GREASE POINT .....	26 in. (.85 m)
C .....	PIVOT BRACKET GREASE POINT .....	41 in. (1.5 m)

## LUBRICATION PANEL ASSY.

---

<u>NO.</u>	<u>PART NO.</u>	<u>PART NAME</u>	<u>QTY.</u>	<u>REMARKS</u>
1	EM491701	GREASE FITTING	3	
2	515328	ADAPTOR, FITTING	1	
3	EM510684	GREASE FITTING	2	
4	802639	HOSE, RUBBER	1	
5		STEEL LINE.....	AR.....	OBTAIN LOCALLY
6	EM505516	HOSE, PLASTIC 1/4" .....	AR.....	1 PC=1 FT

# ENGINE COVER ASSY.

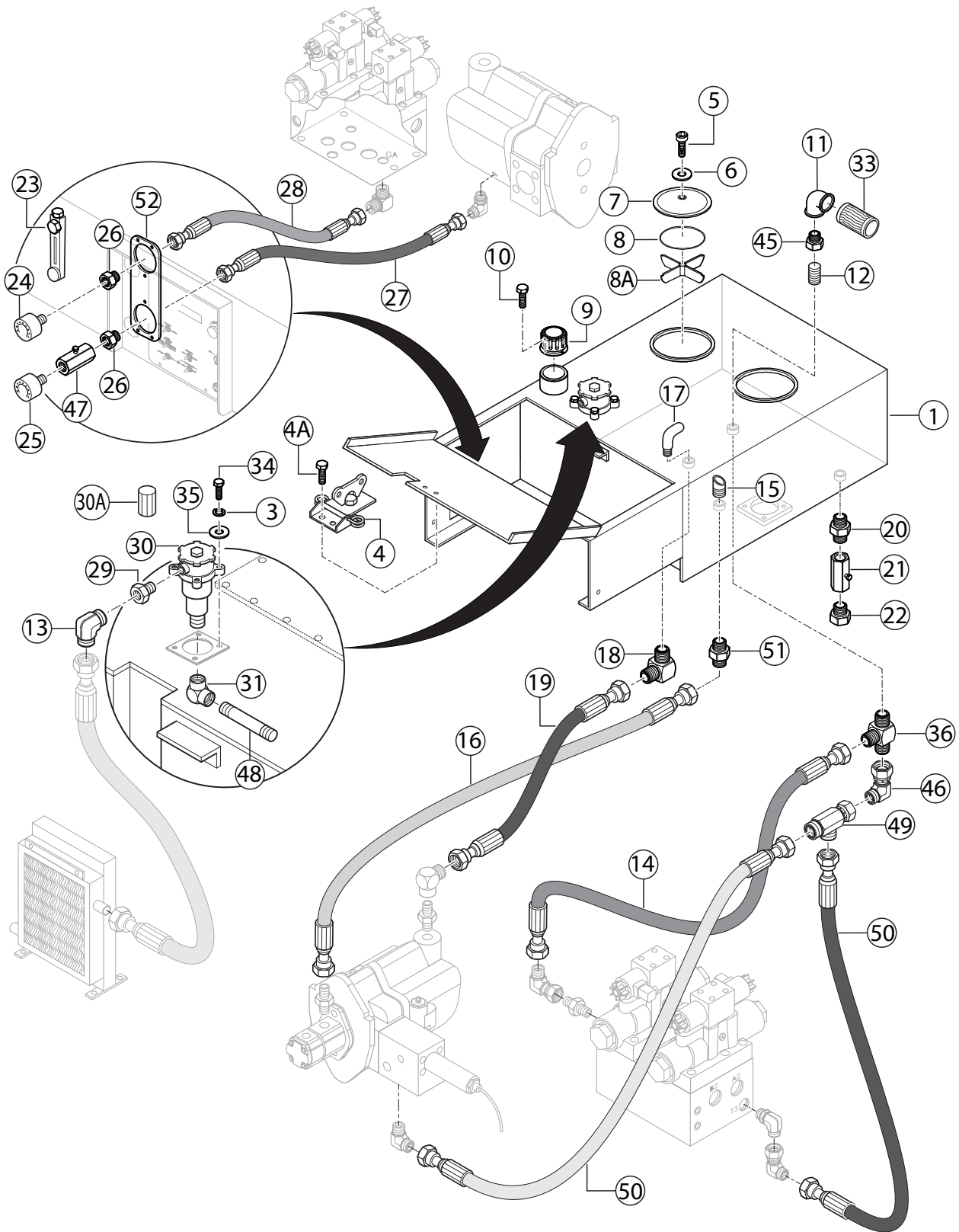


## ENGINE COVER ASSY.

---

<u>NO.</u>	<u>PART NO.</u>	<u>PART NAME</u>	<u>QTY.</u>	<u>REMARKS</u>
1	518761	COVER, ENGINE	1	
3	2101402	WASHER, LOCK 1/4"	AR	
4	100531	WASHER, FLAT, 1/4"	AR	
5	801589	FRAME, VENT	1	
6	801418	COVER, VENT	1	
7	492581	NUT, 1/4-20 NYLON LOCK	12	
8	100443	BOLT, M6 X 20 P-1	AR	
9	2101428	NUT, 1/4-20 NYLON LOCK	AR	
10	100265	BOLT, M8 X 16 P-1.25 GRD8.8	6	
11	030208200	WASHER, LOCK M8	6	
12	100494	WASHER, FLAT M8	6	
13	802662	BRACE, VENT	1	
14	518886	FRAME, VENT, INNER	1	
15	100602	NUT, BLIND M6	27	
16	802666	COVER, ACCESS, ALTERNATOR	1	
17	801351	COVER, ACCESS, FUEL FILTER	1	
18	518761	WASHER, FLAT	1	

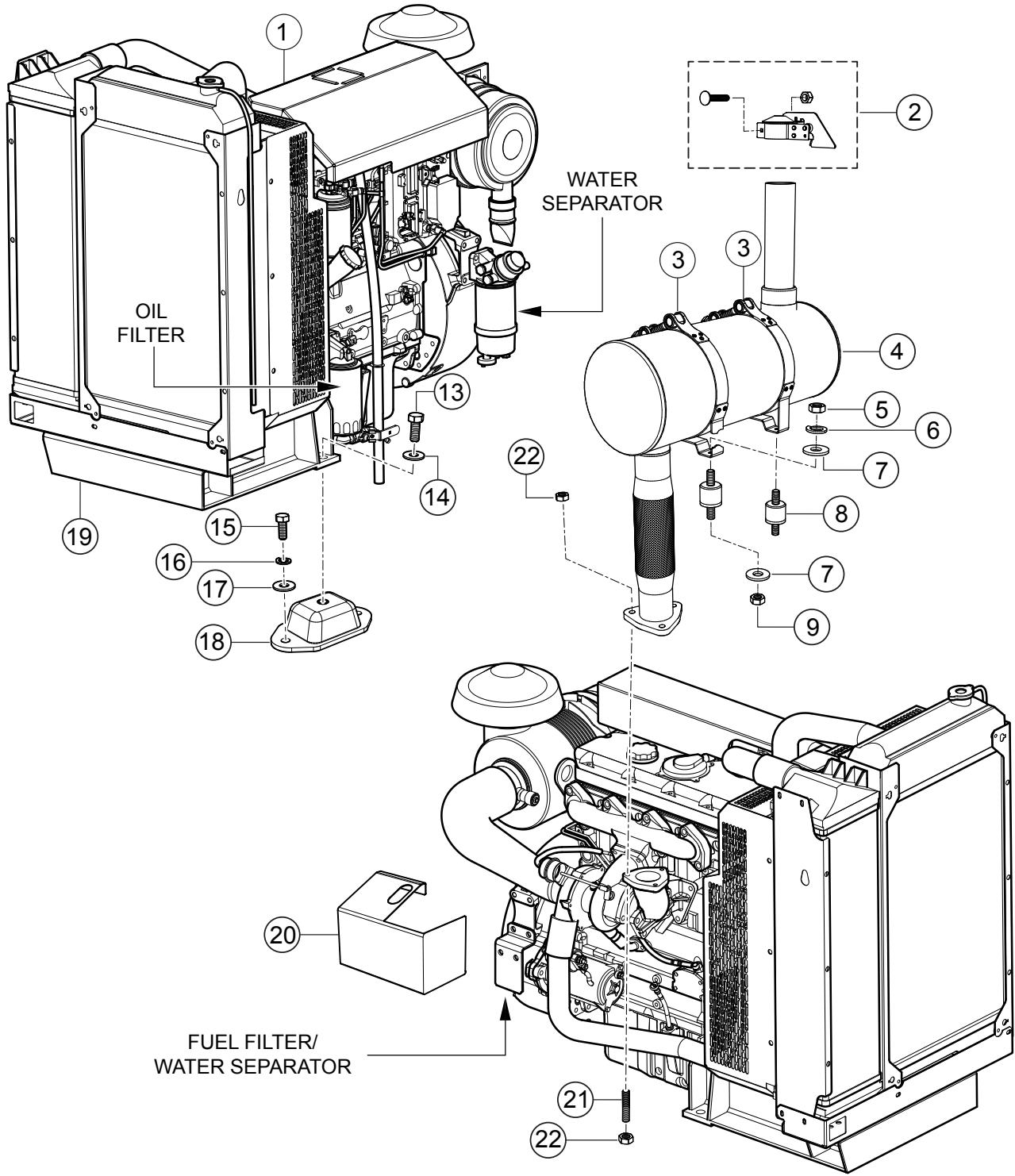
# HYDRAULIC TANK ASSY.



## HYDRAULIC TANK ASSY.

<u>NO.</u>	<u>PART NO.</u>	<u>PART NAME</u>	<u>QTY.</u>	<u>REMARKS</u>
1	800273	HYDRAULIC TANK	1	
3	0166 A	WASHER, LOCK 3/8"	4	
4	EM517295	LATCH	1	
4A		BOLT .....	2	OBTAIN LOCALLY
5	505990	BOLT, 1/2" X 2-1/2"	2	
6	520343	O-RING	2	
7	EM800299	COVER	2	
8	EM800300	O-RING	2	
8A	EM800301	RETAINER	2	
9	EM98263	CAP ASSY.	1	
10	492267	BOLT, 3/16 X 5/8"	6	
11	EM16433	ELBOW STREET 1-1/2"	1	
12	EM491189	FITTING	1	
13	EM18436	ELBOW, 90° MALE ADAPTER	1	
14	EM514605	HOSE	1	
15	EM514622	FITTING, 1"	1	
16	516876	HOSE	1	
17	EM491189	ELBOW, 3/4"	1	
18	509784	ADAPTER	1	
19	517002	HOSE	1	
20	EM509369	ADAPTER, MALE STRAIGHT	1	
21	491237	GATE VALVE, 1/2" NPT FEMALE	1	
22	506094	PLUG, 1/2" NPT GALVANIZED	1	
23	EM98188	GAUGE, LEVEL AND TEMP.	1	
24	EM97066	GAUGE, 3000PSI, ACCUMULATOR	1	
25	EM97067	GAUGE, 5000PSI, MAIN	1	
26	EM25523	ADAPTER	2	
27	EM509517	HOSE, 4000PSI, MAIN GAUGE	1	
28	EM514602	HOSE, 4000PSI, ACCUM. GAUGE	1	
29	16517	ADAPTER, MALE STRAIGHT	1	
30	EM98112A	FILTER ASSY., RETURN	1	
30A	EM98275	ELEMENT, RETURN FILTER	1	
31	516814	FITTING, 90°	1	
33	EM16513	DIFFUSER	1	
34	EM963610	CAP SCREW, 3/8" NC X 1-1/4" GRD 8	4	
35	3019092	WASHER, FLAT 3/8"	4	
36	EM509343	TEE FITTING	1	
45	516813	BUSHING	1	
46	EM509401	ELBOW	1	
47	EM16414	VALVE NEEDLE	1	
48	EM16516	PIPE 1-1/2"	1	
49	EM509344	TEE	1	
50	EM514604	HOSE HYDRAULIC	2	
51	517029	FITTING, STRAIGHT	1	
52	802671	RETAINING PLATE	1	

# ENGINE MOUNTING EXHAUST ASSY.

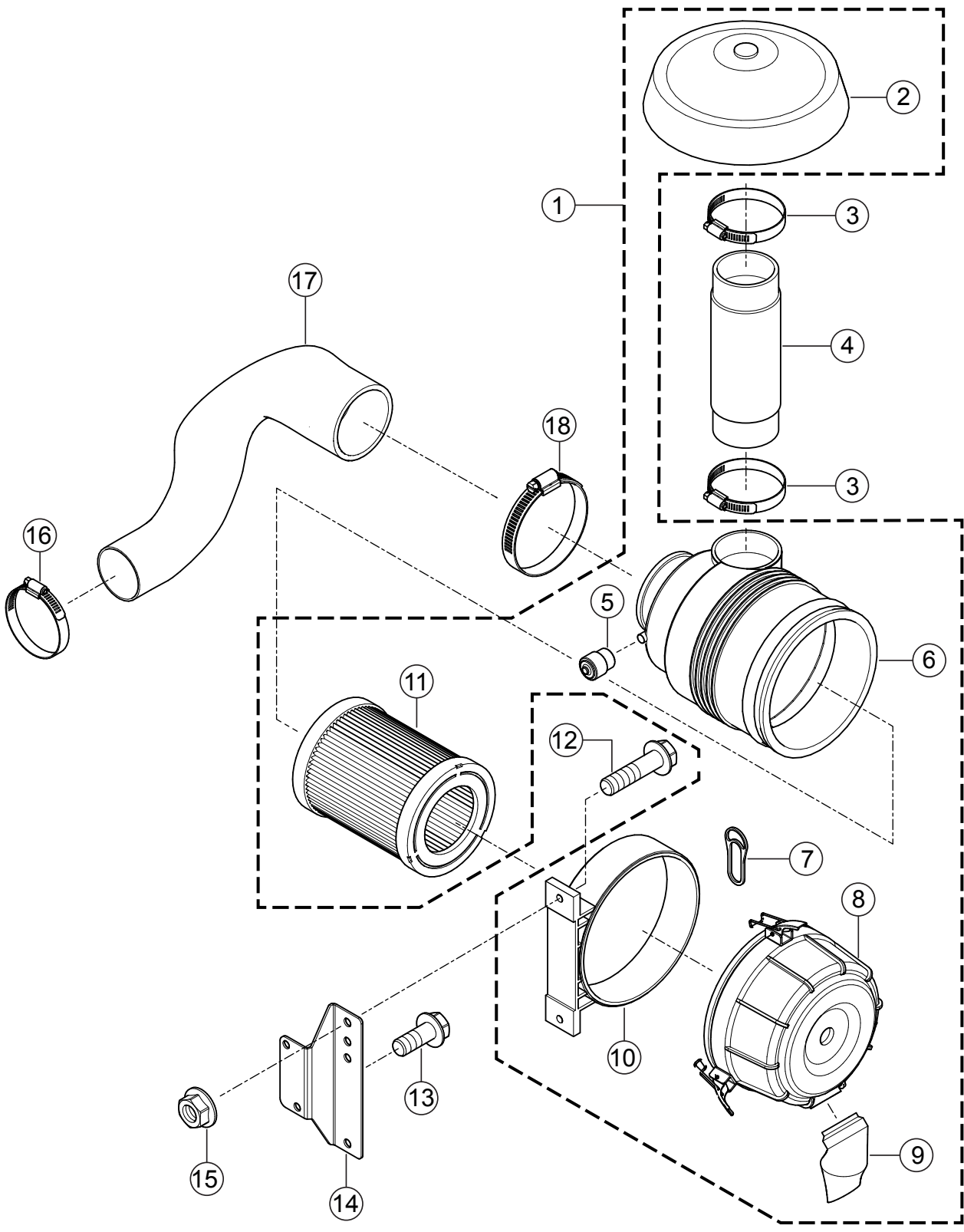


## **ENGINE MOUNTING EXHAUST ASSY.**

---

<b><u>NO.</u></b>	<b><u>PART NO.</u></b>	<b><u>PART NAME</u></b>	<b><u>QTY.</u></b>	<b><u>REMARKS</u></b>
1	EM519238	ENGINE, PERKINS 1104D-44TA	1	
2	510897	CAP, EXHAUST PIPE	1	
3	802465	CLAMP, EXHAUST MUFFLER	2	
4	801640	MUFFLER	1	
5	2105164	NUT, 5/16"	4	
6	EM923343	WASHER, LOCK 5/16"	4	
7	EM923057	WASHER, 1/4"	8	
8	801637	CUSHION, RUBBER	4	
9	2105164	NUT, 5/16"	4	
13	492406	BOLT	5	
14	EM506109	WASHER, FLAT 5/8"	5	
15	EM963102	CAP SCREW HX HD 1/2"NC X 1-1/4"	10	
16	6109180	WASHER, LOCK 1/2"	10	
17	6109170	WASHER, FLAT 1/2"	10	
18	518883	MOUNT, ENGINE FOOT	5	
19	800311	BASE, RADIATOR MOUNT	1	
20	801924	COVER, HEAT SHIELD	1	
21	2313C077	STUD	3	
22	2318A634	NUT	6	

# ENGINE AIR FILTER ASSY.

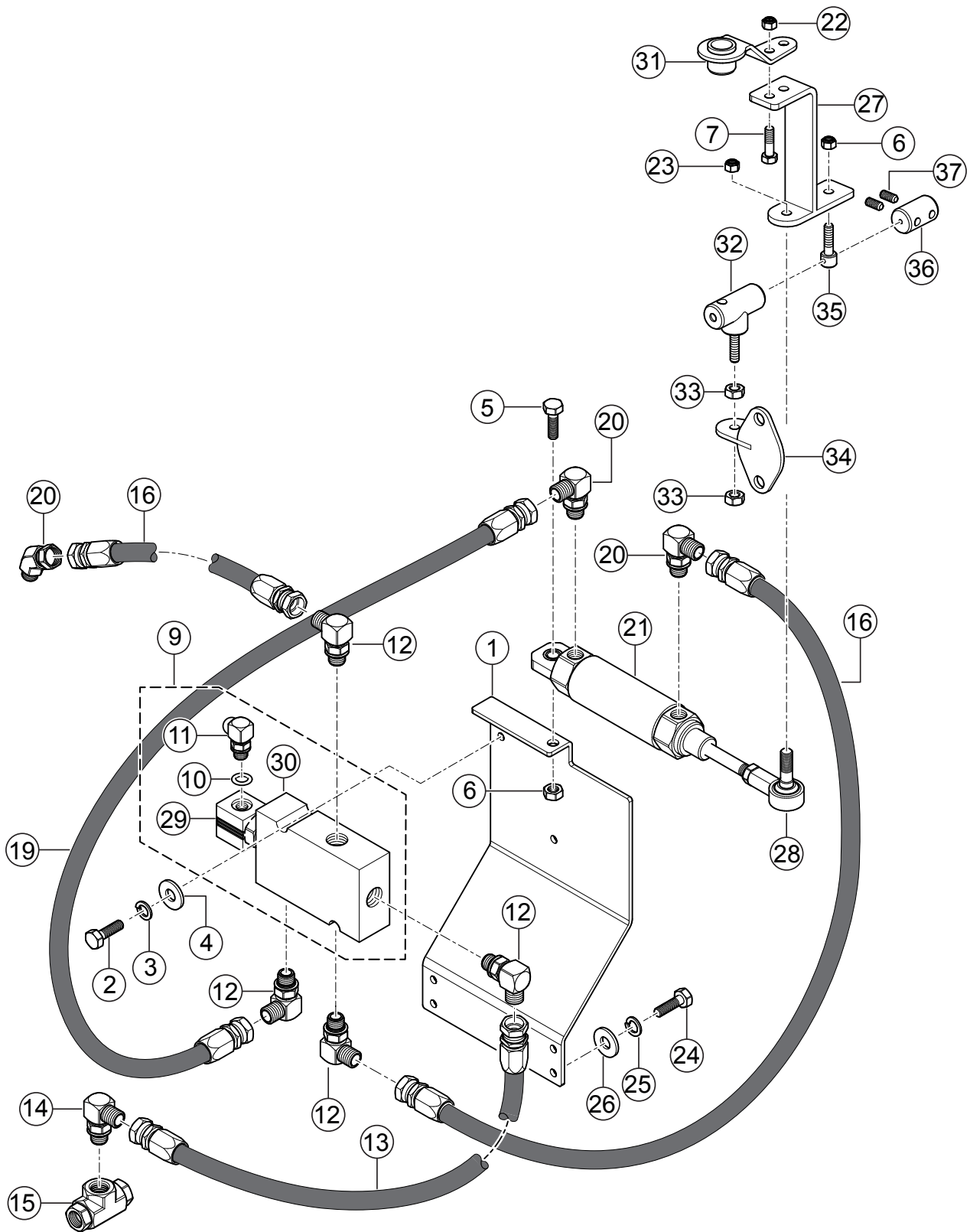


## ENGINE AIR FILTER ASSY.

---

<u>NO.</u>	<u>PART NO.</u>	<u>PART NAME</u>	<u>QTY.</u>	<u>REMARKS</u>
1	2652C202	AIR FILTER ASSY.....	1.....	INCLUDES ITEMS W/\$
2\$	26510411	CAP, AIR FILTER	1	
3	521311	CLAMP	2	
4	800267	PIPE, EXHAUST EXTENSION	1	
5\$	26510385	INDICATOR, AIR FILTER	1	
6\$		AIR FILTER BODY .....	1.....	NOT SOLD SEPERATELY
7\$	26510407	RUBBER STRAP	1	
8\$		COVER, AIR FILTER .....	1.....	NOT SOLD SEPERATELY
9\$	26510386	VALVE, AIR FILTER	1	
10\$	26510382	MOUNTING BRACKET	1	
11\$	26510380	AIR FILTER	1	
12	2314H005	SCREW	2	
13	2314J002	SCREW	2	
14	3653A051	BRACKET	1	
15	2318A603	NUT	2	
16	21825194	CLAMP	1	
17	3783R007	HOSE, AIR FILTER	1	
18	0180074	CLAMP	1	

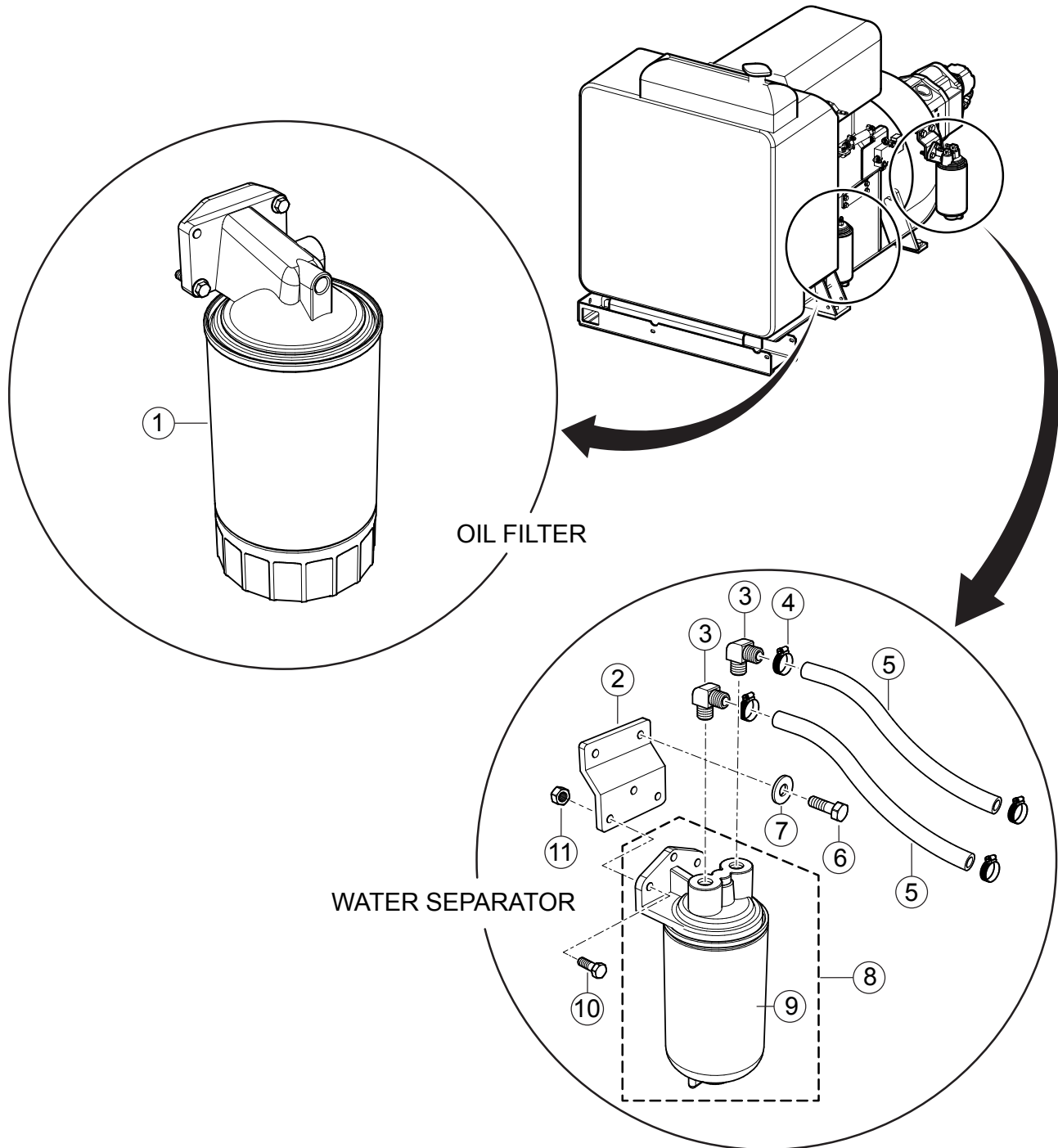
# THROTTLE ASSY.



## THROTTLE ASSY.

<u>NO.</u>	<u>PART NO.</u>	<u>PART NAME</u>	<u>QTY.</u>	<u>REMARKS</u>
1	800377	SUPPORT BASE, ACCELERATOR	1	
2	EM167	BOLT, 1/4-20 X 1-3/4" SOCK. HD.	2	
3	2101402	WASHER, LOCK 1/4"	2	
4	EM923057	WASHER, 1/4"	2	
5	512185	SCREW, HHC 1/4-20 X 1-3/4"	1	
6	492581	NUT, HEX 1/4"	1	
7	EM506599	BOLT, HEX 6MM X 15	2	
9	EM98168	VALVE SOLENOID, THROTTLE BLOCK.....	1	INCLUDES ITEMS W/\$
10\$	EM98167	SEAL CONNECTOR	1	
11\$	EM98166	CONNECTOR, DIN PG9	1	
12	EM25429	ELBOW, ADAPTER 90° MALE	7	
13	516875	HOSE, 500MM LONG	1	
14	EM50449	FITTING ELBOW, 90°	1	
15	EM25577	TEE STREET, SAE1404	1	
16	EM509366	HOSE, 13-3/4" LONG	2	
19	EM25576	HOSE, 20" LONG	1	
20	EM50449	ELBOW, ADAPTER 90° MALE	3	
21	EMCC700	HYDRAULIC CYLINDER	1	
22	100078	NUT, M6 P-1 NYLON INSERT	2	
23	508451	NUT, LOCK 1/4-28 NF	1	
24	EM506886	BOLT, M8X20 X 1-1/4"	4	
25	030208200	WASHER, LOCK M8	4	
26	040150080	WASHER, FLAT SS M8	4	
27	800141	LEVER, ACCELERATOR	1	
28	516487	END, ROD	1	
29\$	EM98228	COIL, 12V	1	
30\$	EM98232	CARTRIDGE VALVE	1	
31	EM505201	SHOCK MOUNT	1	
32	520180	PIVOT, ACCELERATOR LINKAGE	1	
33	2101428	NUT, HEX 1/4-20	2	
34	801838	BASE, MOUNTING	1	
35	513213	GUIDE, THROTTLE CABLE	1	
36	802587	ANCHOR, THROTTLE CABLE GUIDE	1	
37	492466	SET SCREW, 1/4"NC X 1/2"	2	

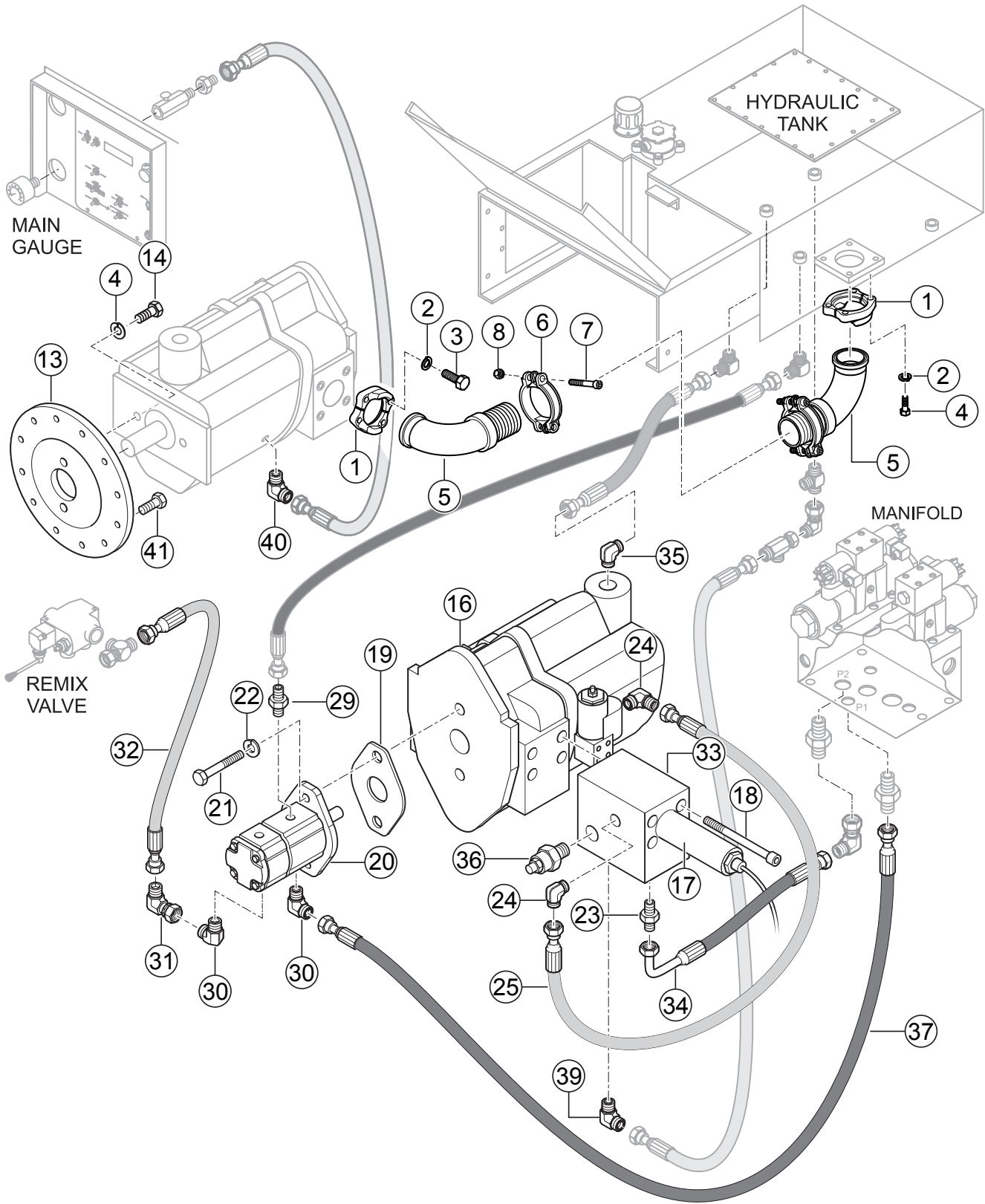
# OIL FILTER-WATER SEPARATOR ASSY.



## OIL FILTER-WATER SEPARATOR ASSY.

<u>NO.</u>	<u>PART NO.</u>	<u>PART NAME</u>	<u>QTY.</u>	<u>REMARKS</u>
1	2654407	OIL FILTER	1	
2	802661	BRACKET, MTG. WATER SEPARATOR	1	
3	514560	ELBOW, 90°	2	
4	506208	CLAMP	4	
5	514563	HOSE, 4FLH 5/16".....	AR.....	1 PC=1 FT
6	100286	BOLT, M12 X 25P-1.75	2	
7	6109180	WASHER, LOCK 1/2"	2	
8	EM16747	WATER SEPARATOR ASSY. ....	1.....	INCLUDES ITEM W/\$
9\$	EM167472	FILTER, WATER SEPARATOR	1	
10	EM963057	CAP SCREW, 3/8" X 1-1/2"	3	
11	EM969013	NUT, NYLOK	3	

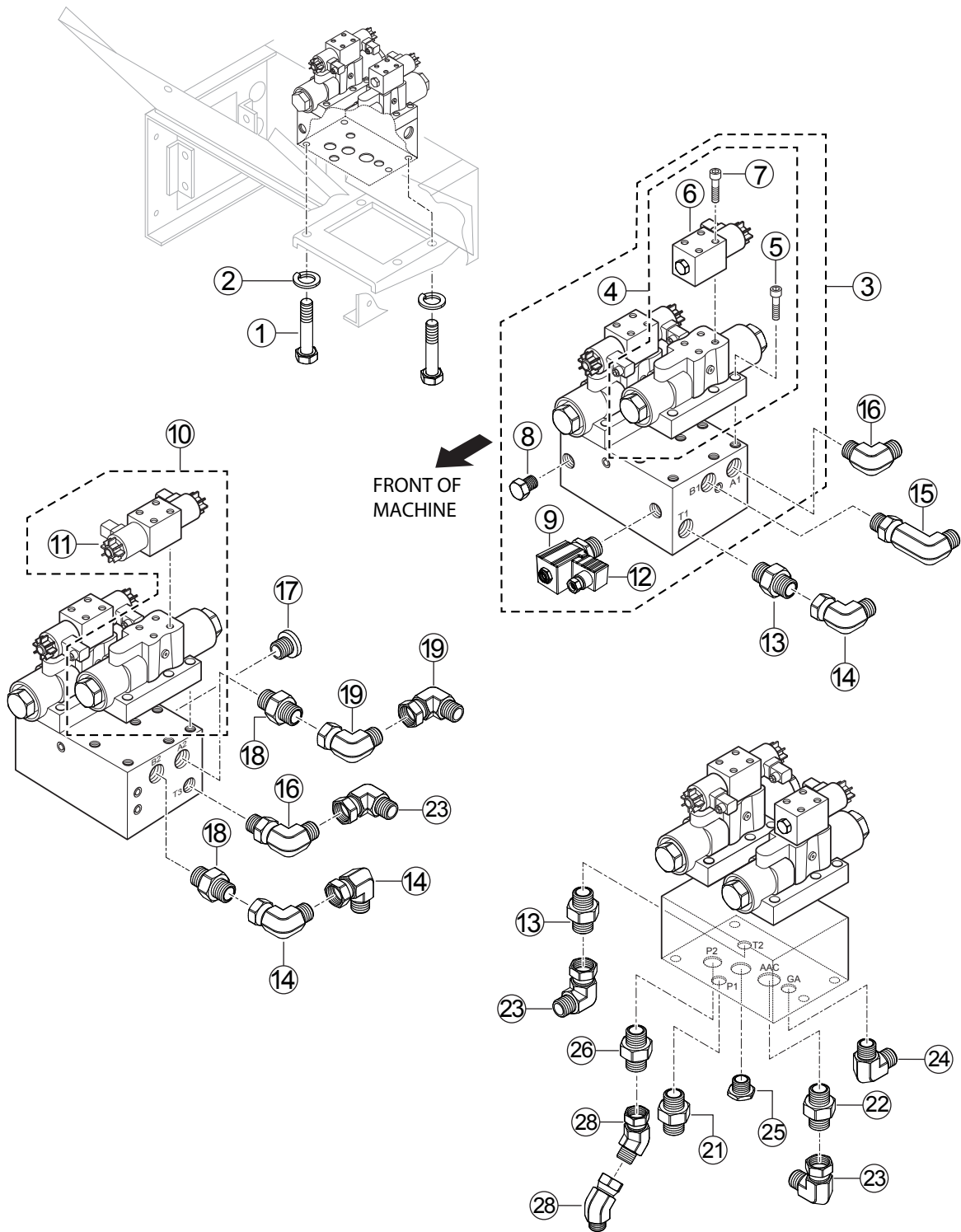
# HYDRAULIC PUMP ASSY.



## HYDRAULIC PUMP ASSY.

<u>NO.</u>	<u>PART NO.</u>	<u>PART NAME</u>	<u>QTY.</u>	<u>REMARKS</u>
1	EM514719	FLANGE, SUCTION PIPE	2	
2	6109180	WASHER, LOCK 1/2"	8	
3	EM963692	CAP SCREW, HHCS 1/2-13 X1-1/2" GRD 5	4	
4	492444	CAP SCREW, 1/2"NF X 1-1/4" GRD 5	4	
5	801874	SUCTION ELBOW	2	
6	810875	CLAMP, SUCTION ELBOW	2	
7	511428	SCREW, ALLEN HD 1/2-13 X 3" GRD 5	4	
8	492584	NUT, LOCK 1/2"NC, NYLOK GRD 5	4	
13	EM519239	COUPLER, ENGINE ASSY.	1	
14	EM510902	BOLT, 1/2" 1-1/2"	2	
16	EM98257	PUMP, MAIN 100CC	1	
17	EM98273	FLOW CONTROL VALVE	1	
18	511428	SCREW, ALLEN HD. 1/2-13 X 3	4	
19	EM16190	GASKET	1	
20	EM98107	PUMP, SECONDARY	1	
21	EM963610	BOLT, 3/8" X 1"	2	
22	0166 A	WASHER, LOCK 3/8"	2	
23	EM509796	ADAPTER, STRAIGHT	1	
24	EM25429	ELBOW ADAPTER	2	
25	516875	HOSE, 4000 PSI SENSOR	1	
29	EM25498	ADAPTER, STRAIGHT	1	
30	EM16524	ELBOW ADAPTER 90° MALE	2	
31	503200	ELBOW ADAPTER	1	
32	EM514601	HOSE, 2000 PSI, REMIX VALVE	1	
33	EM517650	MANIFOLD W/MOTORIZED FLOW CTRL.	1	
34	EM517032	HOSE, MAIN MANIFOLD	1	
35	EM25459	ELBOW	1	
36	EM98276	VALVE, MAIN RELIEF	1	
37	EM514608	HOSE	1	
39	EM25459	ELBOW	1	
40	EM25429	ELBOW ADAPTER	1	
41	54812	SCREW, ALLEN HD. CAP	12	

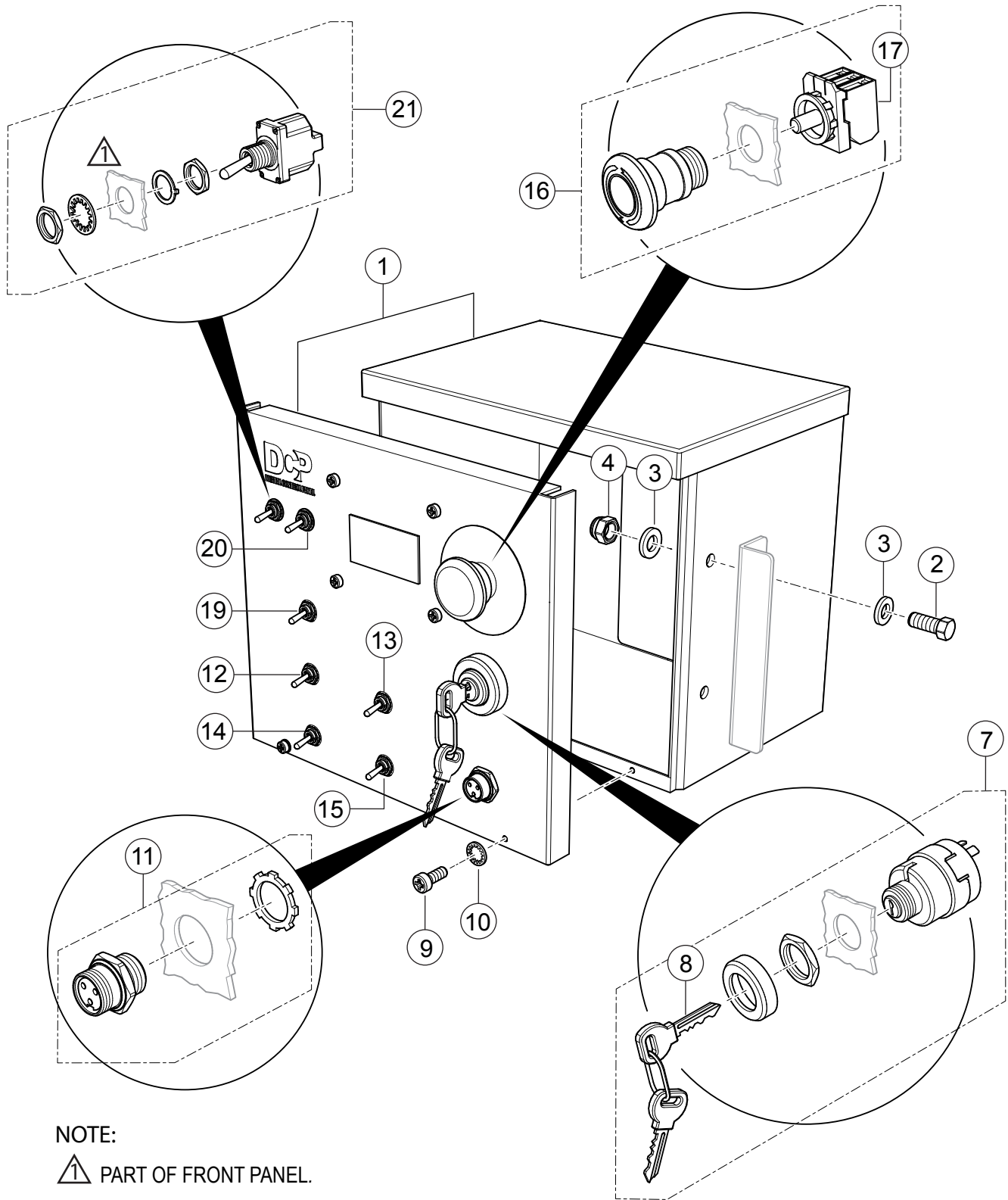
# MANIFOLD ASSY.



## MANIFOLD ASSY.

<u>NO.</u>	<u>PART NO.</u>	<u>PART NAME</u>	<u>QTY.</u>	<u>REMARKS</u>
1	EM963102	BOLT, 1/2" X 1-1/4"	4	
2	6109180	WASHER, LOCK 1/2"	4	
3	EM98261	MANIFOLD ASSY. ....	1	INCLUDES ITEMS W/%
4%	EM98220	CYCLING VALVE, SWING W/PILOTS .....	1	INCLUDES ITEMS W/#
5%#	EMBK227	BOLT, SHCS 1/2" X 2-1/4"	12	
6%#	EM98223	PILOT VALVE, SHUTTLE	1	
7%#	EMBK2097	BOLT, SHCS 1/2" X 1-1/4"	8	
8%	EM98227	CHECK VALVE	1	
9%	EM98228	COIL, 12VDC ACCUMULATOR	1	
10	EM98221	CYCLING VALVE, MAIN .....	1	INCLUDES ITEM W/\$
11\$	EM98222	PILOT VALVE, MAIN CYL.	1	
12%	EM98229	CARTRIDGE ASSY., ACCUM. UNLOADER	1	
13	EM25498	FITTING HYDRAULIC, ELBOW	3	
14	EM509401	ELBOW	3	
15	EM514488	ADAPTER	1	
16	EM25459	ELBOW, 3/4" 90°	2	
17	519663	ADAPTER, PLUG	1	
18	EM514231	ADAPTER	2	
19	EM514489	ADAPTER	2	
20	EM506193	ADAPTER	1	
21	EM506193	ADAPTER	1	
22	EM25462	STRAIGHT CONNECTOR	1	
23	EM509353	ELBOW	3	
24	EM25497	FITTING, ELBOW	1	
25	EM98230	LOGIC VALVE	1	
26	EM509796	ADAPTER, STRAIGHT	1	
27	EM517149	ADAPTER, ELBOW 90°	1	
28	518198	ADAPTER, ELBOW 45°	2	

# CONTROL BOX ASSY.



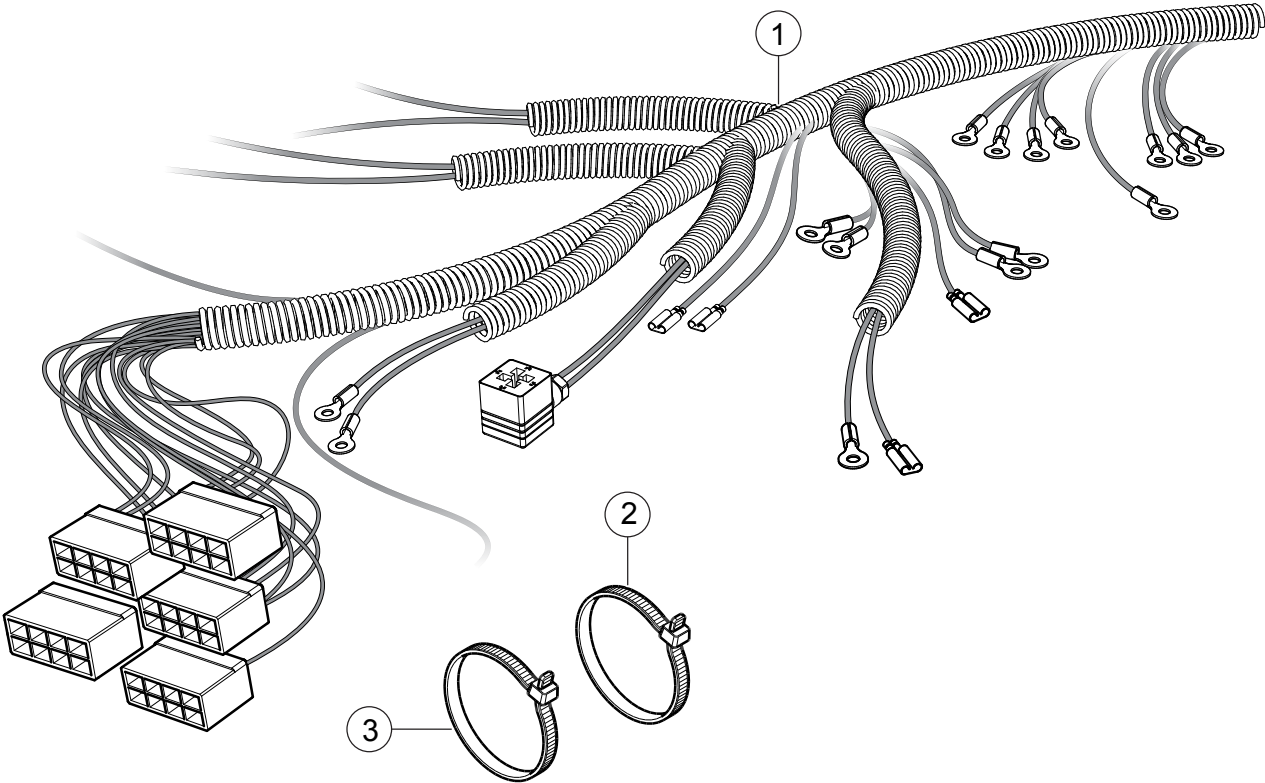
NOTE:

 PART OF FRONT PANEL.

## CONTROL BOX ASSY.

<u>NO.</u>	<u>PART NO.</u>	<u>PART NAME</u>	<u>QTY.</u>	<u>REMARKS</u>
1		CONTROL BOX ASSY.....	1.....	CONTACT MQ PARTS DEPT.
2	0202	BOLT, 5/16-18 X 1" ZINC	4	
3	EM923023	WASHER, FLAT 5/16"	8	
4	2105164	NUT, 5/16"	4	
7	EM98206	IGNITION SWITCH ASSY.....	1.....	INCLUDES ITEM W/\$
8\$	EM98206K	KEY, IGNITION	1	
9		SCREW.....	6.....	OBTAIN LOCALLY
10		WASHER .....	6.....	OBTAIN LOCALLY
11	EM97068	RECEPTACLE, REMOTE	1	
12	EM98120	FLOW DIRECTION SWITCH ASSY.	1	
13	EM98119	MAIN CONTROL SWITCH ASSY.	1	
14	EM98121	AUTO/JOG SWITCH ASSY.	1	
15	EM98122	JOG A/B SWITCH ASSY.	1	
16	EM517177	EMERGENCY STOP SWITCH ASSY.....	1.....	INCLUDES ITEM W/#
17#	EM517186	CONTACT BLOCK, EMERG. SWITCH	1	
19	EM98122	VOLUME SWITCH ASSY.	1	
20	EM98122	RESET SWITCH ASSY.	1	
21	EM98122	SCROLL SWITCH ASSY.	1	

# CONTROL BOX HARNESS ASSY.

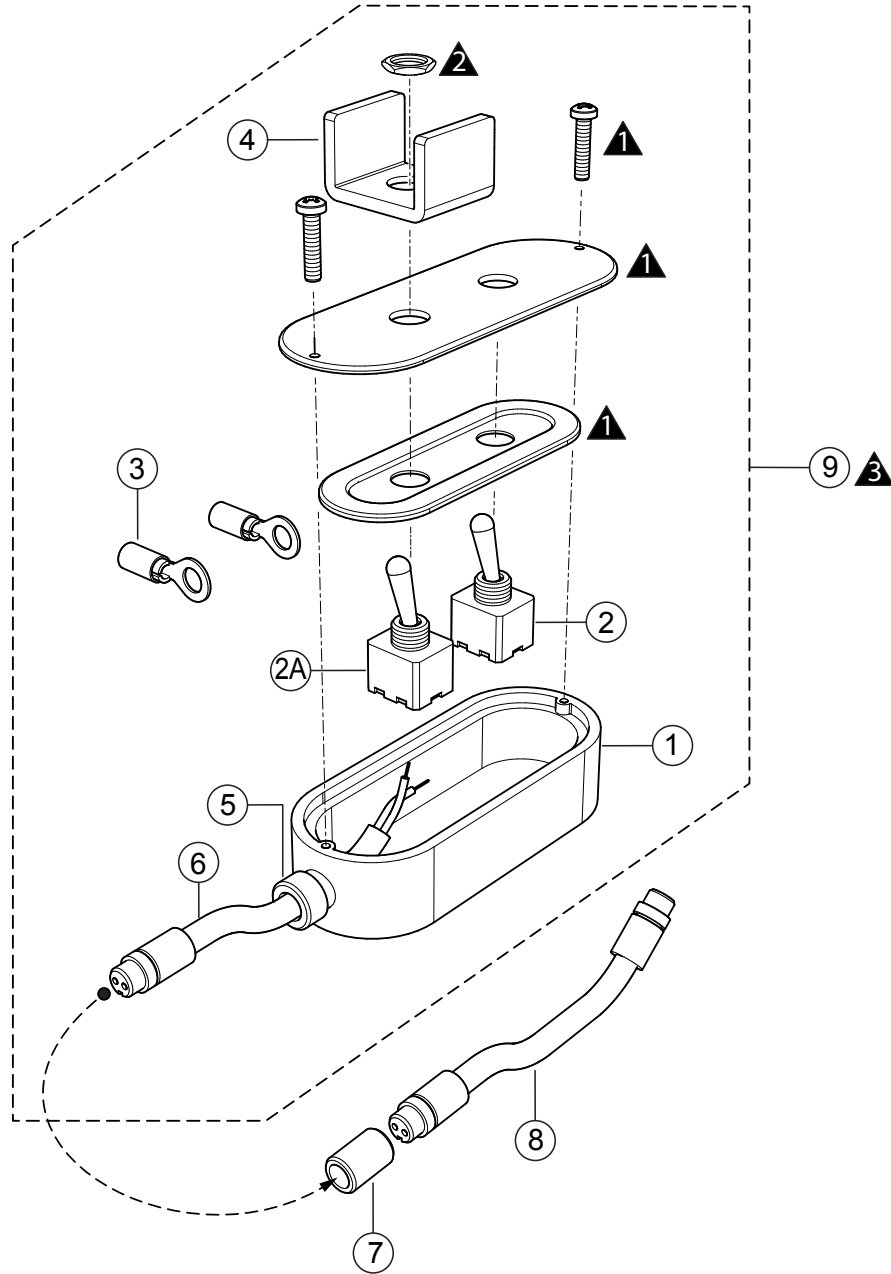


## **CONTROL BOX HARNESS ASSY.**

---

<u>NO.</u>	<u>PART NO.</u>	<u>PART NAME</u>	<u>QTY.</u>	<u>REMARKS</u>
1	EM800107	WIRE HARNESS, MAIN	1	
2	491030	WRAP, TIE 2.5 X 142MM	5	
3	EM504505	WRAP, TIE 4.6 X 360MM	2	

# REMOTE CONTROL CABLE ASSY.



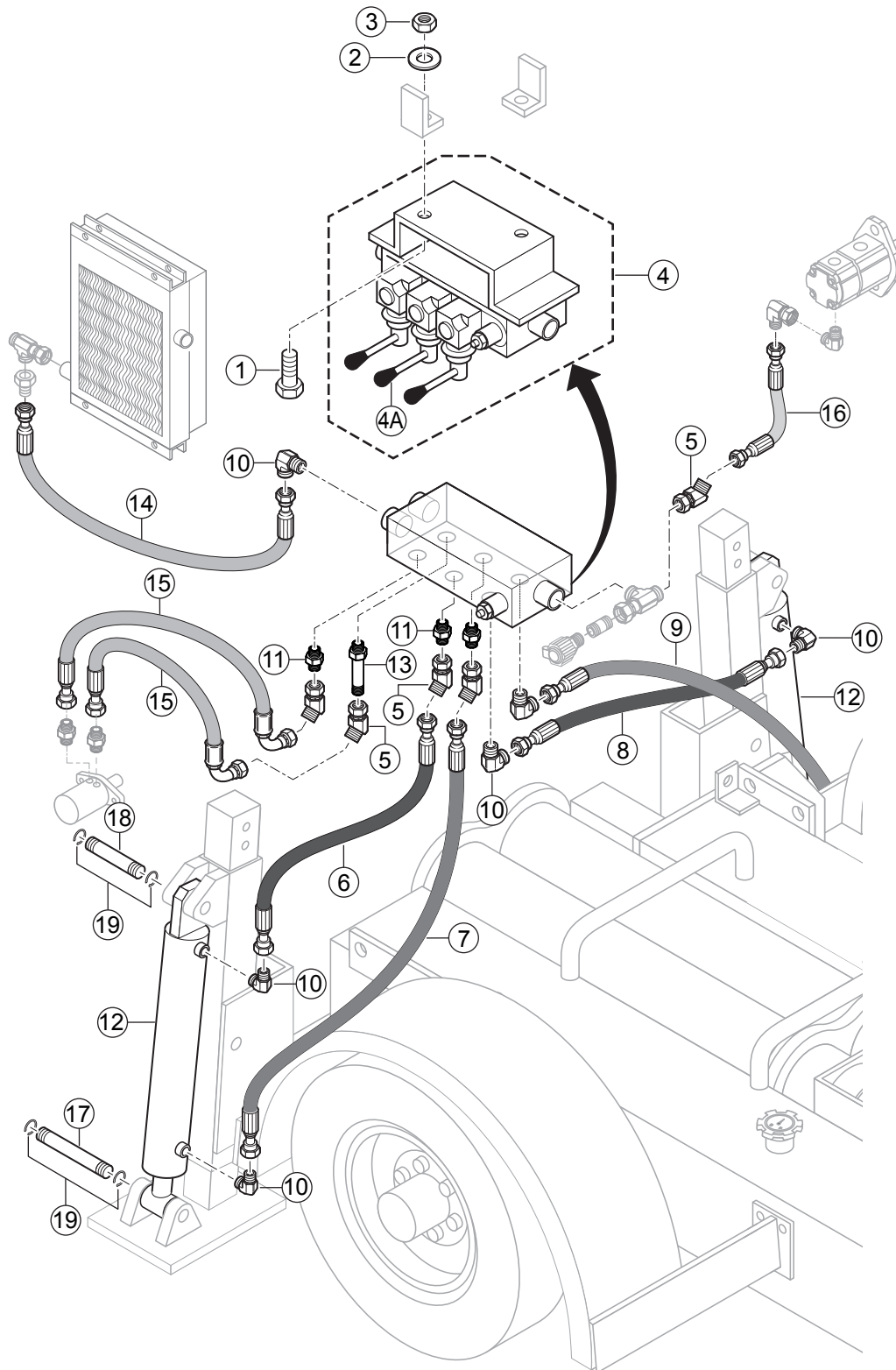
## NOTES

- ▲ 1 INCLUDED WITH ITEM 1.
- ▲ 2 INCLUDED WITH ITEMS 2 AND 2A.
- ▲ 3 COMPLETE CORD ASSY. INCLUDES ITEMS WITHIN DASHED LINES.

## REMOTE CONTROL CABLE ASSY.

<u>NO.</u>	<u>PART NO.</u>	<u>PART NAME</u>	<u>QTY.</u>	<u>REMARKS</u>
1\$	EM16753	JUNCTION BOX	1	
2\$	EM16754	SWITCH	1	
2A\$	EM97075	SWITCH	1	
3\$	EM491897	CONNECTOR, RING 3/16"	4	
4\$	EM16756	GUARD SWITCH, ALUMINUM.	2	
5\$	EM26791	SEAL, GRIP CORD	1	
6\$	EM26790	CORD, MX P/E 25'	1	
7	EM26793	ADAPTER, CORD GRIP 1/2"	1	
8	EM97065	CORD, 100', REMOTE CONTROL .....	1.....	OPTION
9	EM97099	CABLE REMOTE CONTROL ASSY., 25' .....	1.....	INCLUDES ITEMS W/\$

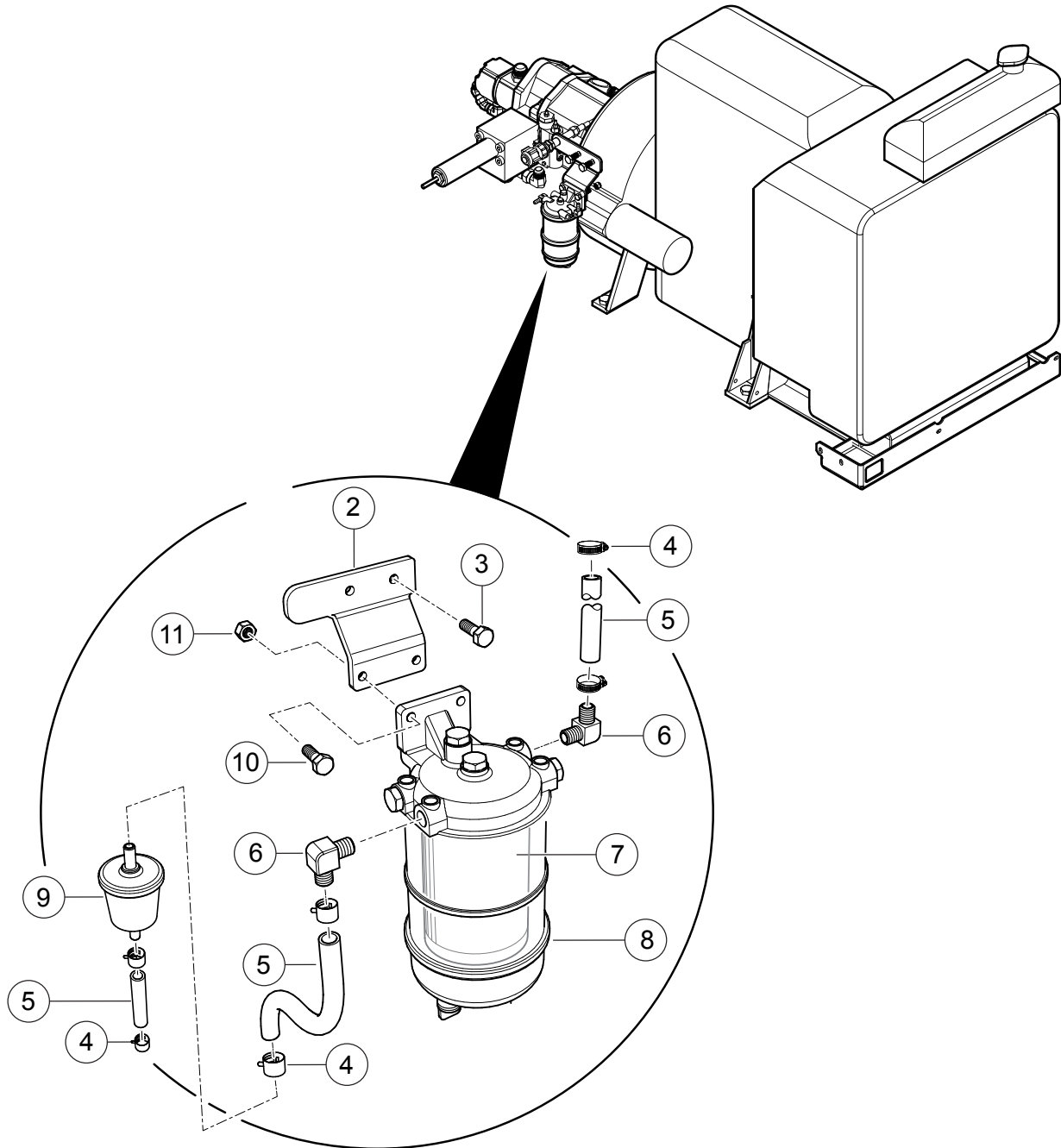
# HYDRAULIC STABILIZER ASSY.(OPTIONAL)



## HYDRAULIC STABILIZER ASSY.(OPTIONAL)

<u>NO.</u>	<u>PART NO.</u>	<u>PART NAME</u>	<u>QTY.</u>	<u>REMARKS</u>
1		BOLT.....	2.....	OBTAIN LOCALLY
2		WASHER.....	2.....	OBTAIN LOCALLY
3		NUT.....	2.....	OBTAIN LOCALLY
4	EM98046	VALVE REMIXER W/3 LEVERS.....	1.....	INCLUDES ITEM W/\$
4A\$	EM98047	HANDLE, DIRECTIONAL VALVE	3	
5	503200	FITTING, 45°	5	
6	517101	HOSE	1	
7	517102	HOSE	1	
8	517103	HOSE	1	
9	517104	HOSE	1	
10	EM512655	ADAPTER, 90°	7	
11	EM25509	FITTING, STRAIGHT	3	
12	EM516382	HYDRAULIC CYLINDER	2	
13	EM517107	FITTING, STRAIGHT	1	
14	517105	HOSE	1	
15	517100	HOSE	1	
16	517106	HOSE	1	
17	517153	PIPE	2	
18	517154	PIPE	2	
19	JISB2804C25	RING, RETAINING M25	8	

# FUEL-WATER SEPARATOR ASSY.



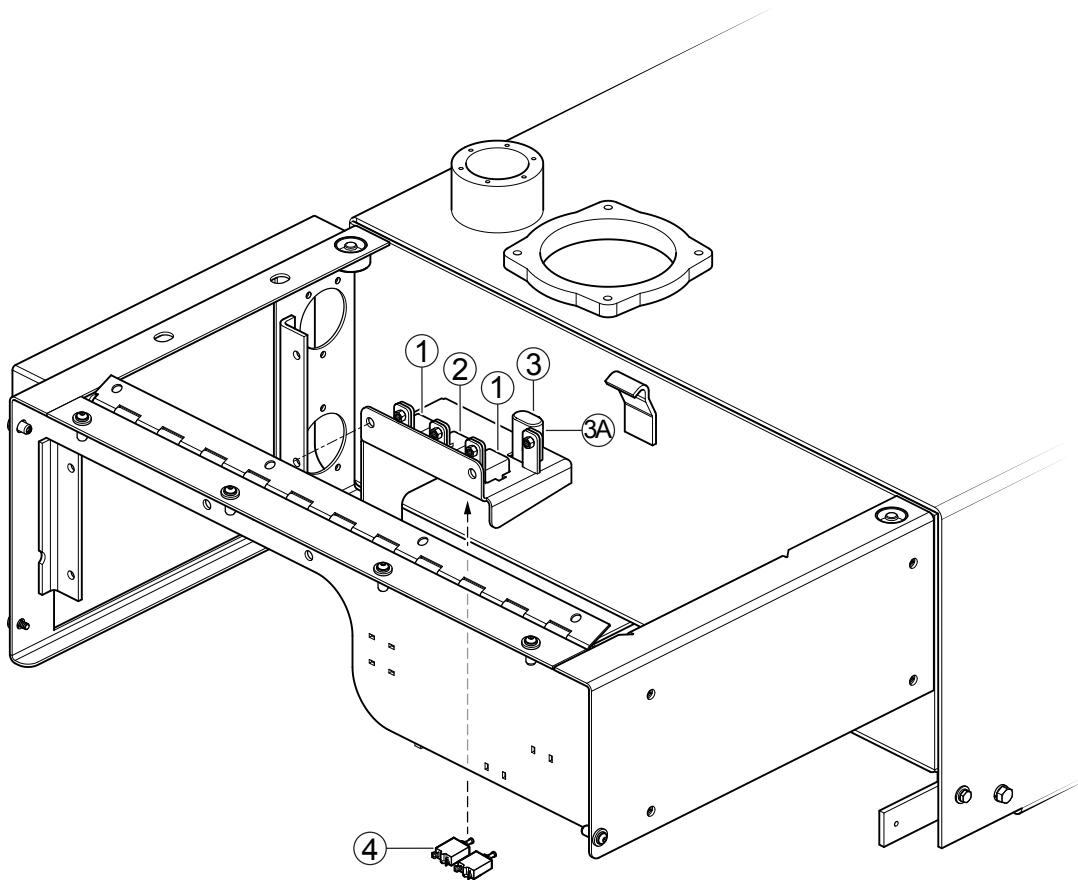
## **FUEL-WATER SEPARATOR ASSY.**

---

<u>NO.</u>	<u>PART NO.</u>	<u>PART NAME</u>	<u>QTY.</u>	<u>REMARKS</u>
2	803182	BRACKET, FUEL/WATER SEPARATOR	1	
3	100286	BOLT, M12 X 25P-1.75	2	
4	506208	CLAMP	6	
5	514536	HOSE, 4FLH 5/16" .....	AR .....	1 PC=1 FT
6	514560	ELBOW, 90°	2	
7	26560201	FUEL FILTER W/O-RING	1	
8	2656F837	BOWL, PLASTIC F/W SEPARATOR	1	
9	EM20763	FILTER, FUEL IN-LINE	1	
10	EM963057	CAP SCREW, 3/8" X 1-1/2"	2	
11	EM969013	NUT, NYLOK	2	

# FUSES AND RELAYS ASSY.

---



## **FUSES AND RELAYS ASSY.**

---

<u>NO.</u>	<u>PART NO.</u>	<u>PART NAME</u>	<u>QTY.</u>	<u>REMARKS</u>
1	EM802378	RELAY, 40 AMP, FAN	2	
2	EM802515	RELAY, 80 AMP, ENG. PRE-HEAT	1	
3	EM98066	FUSE HOLDER, 30 AMP MAIN	1	
3A	23284300	FUSE, 30 AMP ATC/ATO	1	
4	515848	CIRCUIT BREAKER, 50 AMP	2	