

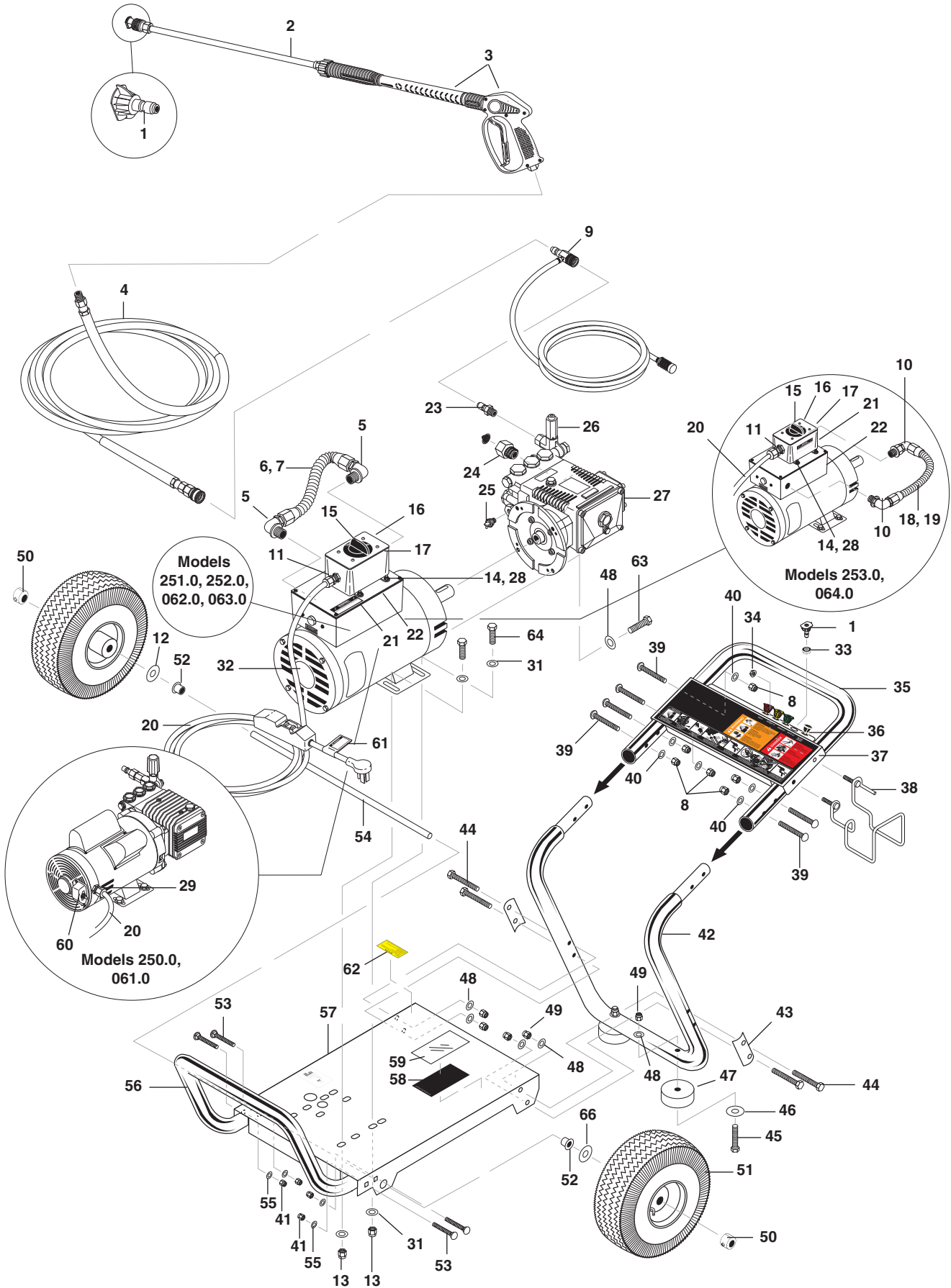


OPERATOR'S MANUAL



<u>MODEL</u>	<u>ORDER #</u>
DE-201007D	1.106-061.0
DE-201507D	1.106-062.0
DE-301007D	1.106-063.0
DE-352007A	1.106-064.0

EXPLODED VIEW



EXPLODED VIEW PARTS LIST

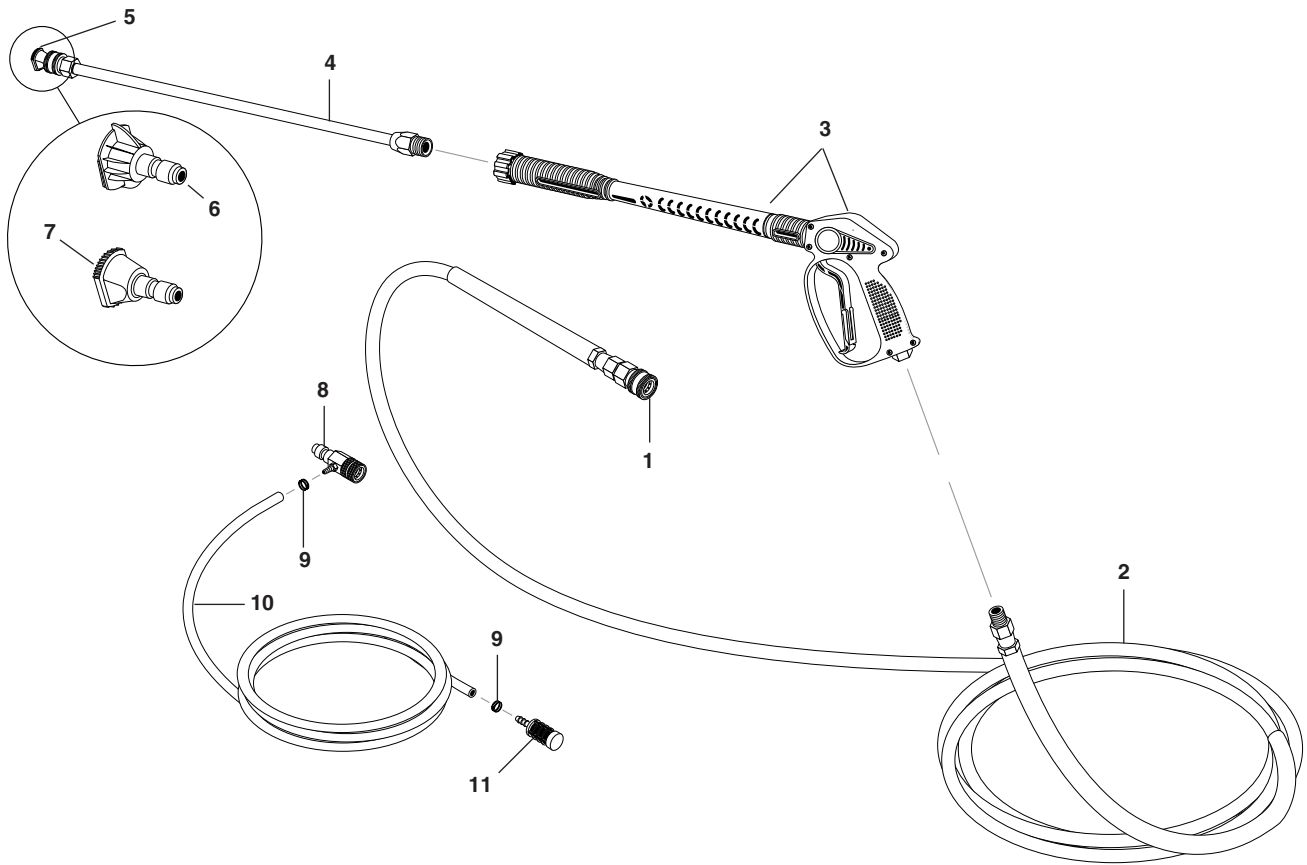
ITEM	PART NO.	DESCRIPTION	QTY	ITEM	PART NO.	DESCRIPTION	QTY
1	9.104-016.0	NOZZLE KIT 3.25 (23326)	1	15	9.802-450.0	Switch, 2 Pos. 120V-600V, 1-3 PH Bremas (251.0, 252.0, 253.0, 062.0, 063.0, 064.0)	1
	9.804-624.0	Nozzle, 1504, Yellow (250.0, 061.0)	1	16	9.802-478.0	Lid, Plastic, Carlon E9801 Box (251.0, 252.0, 253.0, 062.0, 063.0, 064.0)	1
	9.804-625.0	Nozzle, 2504, Green (250.0, 061.0)	1	17	9.802-477.0	Box, Plastic, Carlon E9801, w/o Lid (251.0, 252.0, 253.0, 062.0, 063.0, 064.0)	1
	9.804-626.0	Nozzle, 4004, White (250.0, 061.0)	1	18	9.802-436.0	Cord, Service, 10/3 (253.0, 064.0)	21"
	9.804-627.0	Nozzle, 0004, Red (250.0, 061.0)	1	19	9.803-832.0	Conduit, Water Tite, Flex 3/4" (253.0, 064.0)	8"
	8.712-354.0	Nozzle, 1505, Yellow (253.0, 064.0)	1	20	9.802-430.0	GFCI, 240V1Ph30A, 36' 10-3 Cord (253.0, 064.0)	1
	8.712-365.0	Nozzle, 2505, Green (253.0, 064.0)	1		9.802-431.0	GFCI, 120V 20A, w/36' 12-3 Cord (251.0, 252.0, 062.0, 063.0)	1
	8.712-366.0	Nozzle, 4005, White (253.0, 064.0)	1		9.802-432.0	GFCI, 120V 15A, w/36' 12-3 Cord (250.0, 061.0)	1
	8.712-363.0	Nozzle, 0005, Red (253.0, 064.0)	1	21	9.800-016.0	Label, Disconnect Power Supply	1
	8.712-358.0	Nozzle, 1555, Yellow (252.0, 063.0)	1	22	9.803-833.0	Cover, Motor (251.0, 252.0, 253.0, 062.0, 063.0, 064.0)	1
	8.712-359.0	Nozzle, 2555, Green (252.0, 063.0)	1	23	9.802-171.0	Nipple 3/8" x 3/8" NPT Male	1
	8.712-360.0	Nozzle, 4055, White (252.0, 063.0)	1	24	9.802-146.0	Swivel, 1/2" MP x 3/4" GHF, w/ Strainer	1
	8.712-357.0	Nozzle, 0055, Red (252.0, 063.0)	1	25	8.707-256.0	Protector, Pump 1/2" 140°	1
	8.712-398.0	Nozzle, Compl. QCME 6540, Brass, All	1	26		Unloader, See Specifications Page	
2	9.802-220.0	Wand, 18" M22 x 1/4" QC	1	27		Pump, See Specifications Page	
3	9.802-223.0	Spray Gun, SK@, 3/8" Inlet	1	28	9.802-695.0	Nut, 10/32" Keps (251.0, 252.0, 253.0, 062.0, 063.0, 064.0)	4
4		Hose, See Specifications Page		29	9.802-514.0	Strain Relief (250.0, 061.0)	1
5	9.802-517.0	Connector, 1/2" L/T, 90°, Black (251.0, 252.0, 062.0, 063.0)	2		9.802-525.0	▲ Locknut, 1/2" (250.0, 061.0)	1
6	9.802-427.0	Cord, Service, SOWA 12/3, Coleman (251.0, 252.0, 062.0, 063.0)	21"	30	9.802-695.0	▲ Nut, 10/32" Keps (251.0, 252.0, 253.0, 062.0, 063.0, 064.0)	3
7	9.802-448.0	Conduit, Watertight, Flex, 1/2" (251.0, 252.0, 062.0, 063.0)	8"		9.802-699.0	▲ Screw, 10/32" x 3/4" Slot Pan, MS, SS (251.0, 252.0, 253.0, 062.0, 063.0, 064.0)	1
8	9.802-773.0	Nut, 1/4" ESNA, NC	6		9.800-040.0	▲ Label, Ground (251.0, 252.0, 253.0, 062.0, 063.0, 064.0)	2
9	9.802-225.0	Injector, Detergent, Assy, 3-5 GPM	1				1
10	9.803-831.0	Connector, 3/4" L/T, 90°, Black (253.0, 064.0)	2	31	8.718-980.0	Washer, 5/16" Flat	8
11	9.802-518.0	Strain Relief, 3/4" (All models except 250.0, 061.0)	1	32		Motor, See Specifications Page	
	9.802-523.0	▲ Locknut, 3/4" (All models except 250.0, 061.0)	1	33	9.802-064.0	Grommet, Rubber, Nozzle Holder	5
12	9.802-810.0	Washer, 5/8" Flat	2	34	9.802-778.0	Nut, 5/16" Flange, Whiz Loc	2
13	9.802-776.0	Nut, 5/16" ESNA	4	35	8.920-262.0	Handle, Grab, Chrome	1
14	9.802-759.0	Screw, 10/32" x 1/2" BHSOC, Black (251.0, 252.0, 253.0, 062.0, 063.0, 064.0)	4				

EXPLODED VIEW PARTS LIST

ITEM	PART NO.	DESCRIPTION	QTY
36	9.800-062.0	Label (HD)	1
	8.900-912.0	Label (DE)	1
37	9.803-126.0	Plate, Warning/Instr. Black	1
38	9.803-098.0	Hanger, Hose/Wand	1
39	9.802-706.0	Bolt, Carriage, 1/4"-20 x 1-3/4"	6
40	9.802-802.0	Washer, 1/4" Flat	6
41	9.802-776.0	Nut, 5/16" ESNA, NC	4
42	8.920-261.0	Handle, Lower Grab, Chrome	1
43	9.803-114.0	Retainer Bracket, Handle, Black	2
44	9.802-728.0	Bolt, 3/8" x 2"	4
45	9.802-730.0	Bolt, 3/8" x 2-1/2"	2
46	9.802-817.0	Washer, 3/8" x 1"	2
47	9.802-066.0	Pad, Soft Rubber, 50 Duro	2
48	9.802-807.0	Washer, 3/8" SAE, Flat	10
49	9.802-779.0	Nut, 3/8" ESNA, NC	6
50	9.802-782.0	Axle Hub Black	2
51	9.802-270.0	Wheel & Tire Assy., 4" Steel Rim w/Tube	2
52	9.802-103.0	Bushing, Snap, 5/8"	2
53	9.802-712.0	Bolt, Carriage 5/16" x 1-3/4"	4
54	9.803-097.0	Axle, 5/8" x 19.625" Long	1
55	9.802-807.0	Washer, 5/16" Flat, SAE	4
56	8.920-263.0	Handle, Bumper, Chrome	1
57	9.803-125.0	Base, CW Direct, Black	1
58	9.800-013.0	Label, Intended For Indoor Use	1
59	9.800-034.0	Label, Clear Lexan, 2-1/4" x 4-1/2"	1
60	9.802-454.0	Switch Assembly (250.0, 061.0)	1
61	8.932-969.0	Label, Warning, Service Cord	1
62	9.800-049.0	Label, Manufacturer's Cleaning Solution	1
	9.803-834.0	▲ Washer, 3/4" x 1/2" Reducing 1 (251.0, 252.0, 062.0, 063.0)	1
63	9.802-720.0	Bolt, 3/8" x 1" NC HH	4
64	8.718-618.0	Bolt, 5/16" x 3/4" NC, Grade 5	4

▲ Not Shown

HOSE AND SPRAY GUN ASSEMBLY



HOSE AND SPRAY GUN ASSEMBLY PARTS LIST

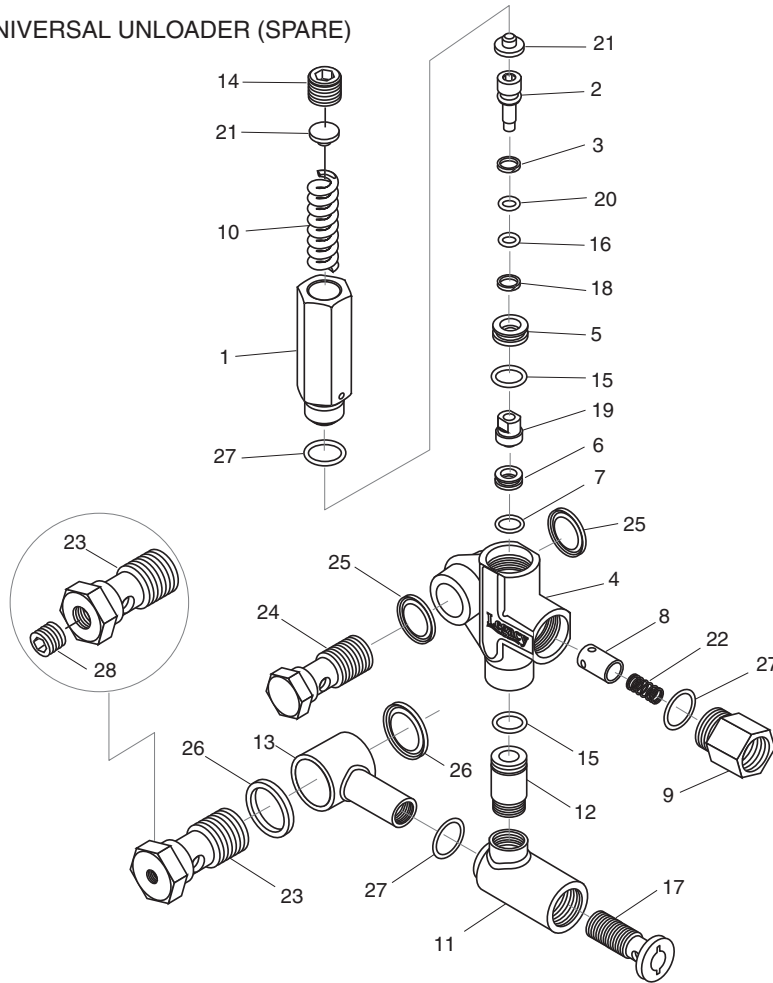
ITEM	PART NO.	DESCRIPTION	QTY
1	9.802-166.0	Coupler, 3/8" Female	1
	9.802-100.0	Quick Coupler O-Ring	1
2	8.739-125.0	Hose, 3/8" x 50', 1 Wire, Tuff-Flex	1
3	9.802-223.0	Spray Gun, Shut-Off	1
4	9.802-220.0	Wand, Straight	1
5	9.802-164.0	Coupler, 1/4" Female	1
	9.802-096.0	Quick Coupler O-Ring	1
6	Nozzle, See Page 13 For Size		
7	8.712-398.0	Nozzle, Brass Soap	1
8	9.802-216.0	Injector, Chemical, Non-Adjust, 3-5GPM, .083	1
9	6.390-126.0	Clamp, Hose, .46 - .54 ST	2
10	9.802-251.0	Tube, 1/2" x 1/2" Clear Vinyl	6 ft.
11	8.707-057.0	Strainer, 1/4" Hose Barb, Plastic	1

▲ Not Shown

UU1 UNLOADER EXPLODED VIEW

9.175-018.0

UU1 3500PSI, UNIVERSAL UNLOADER (SPARE)

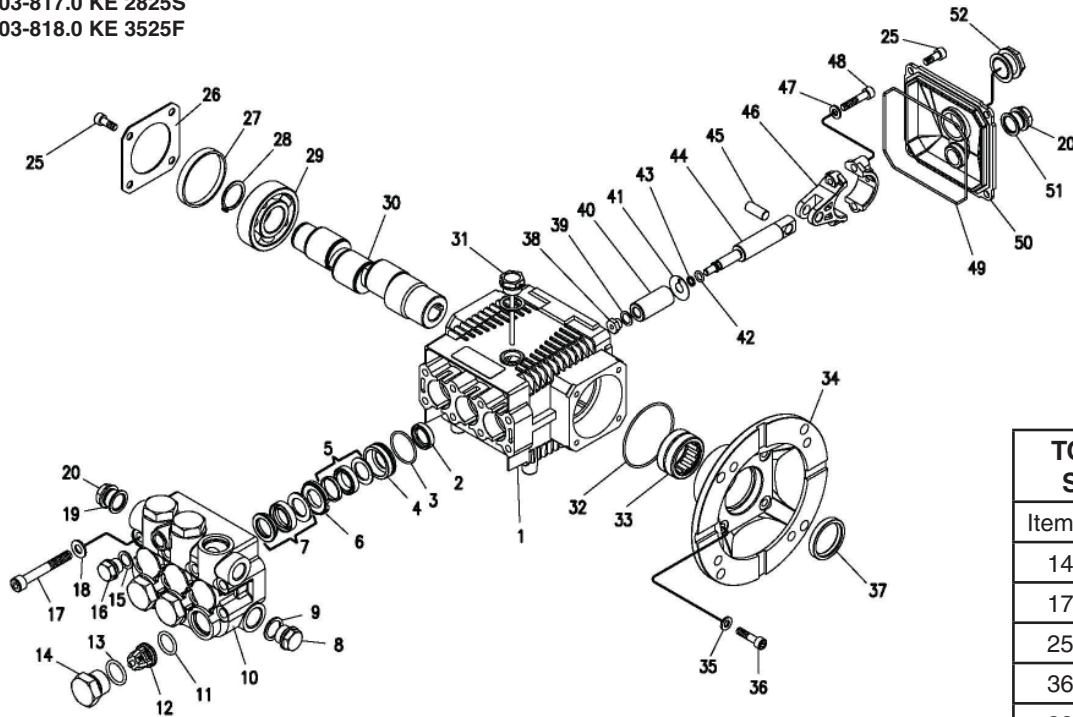


UU1 UNLOADER EXPLODED VIEW PARTS LIST

ITEM	PART #	DESCRIPTION	KIT	QTY	ITEM	PART #	DESCRIPTION	KIT	QTY
1	8.751-394.0	Piston Housing	D	1	17	9.149-006.0	Sliding Connector Guide		1
2		Piston	C, D	1	18		O-Ring Backup 6 x 1.45 x 1.68	A, D	1
3		Piston O-Ring Back Up	A, D	1	19		Ball Housing Assy	C, D	1
4	8.749-796.0	Main Block		1	20		O-Ring 6.75 x 1.78 BN80	A, D	1
5	9.152-372.0	Piston Ring	D	1	21		Spring Seat	C, D	2
6		Ball Seat	C, D	1	22		Plunger Spring	B	1
7		O-Ring 10.5 ID x 1.5 CS	A,C,D	1	23	8.917-699.0	Banjo Bolt 1/2" Short		1
8		Plunger	B	1		8.917-700.0	Banjo Bolt 1/2"-1/4" NPT Short		1
9	9.152-016.0	Plunger Housing		1	24	8.917-698.0	Banjo Bolt 3/8" Short		1
10		Bypass Spring	C, D	1	25	9.802-893.0	Seal Washer 3/8"		2
11	9.149-001.0	Low Pressure Port		1	26	9.803-921.0	Seal Washer 1/2"		2
12	9.152-017.0	Sliding Connector, 30mm		1		9.802-893.0	Seal Washer 3/8"		2
	8.762-005.0	Sliding Connector, 40mm, Long		1	27		O-Ring 15 ID x 2CS	A,B,D	3
13	9.149-002.0	Sliding Connector H 1/2"		1	28	8.706-865.0	Plug, 1/4" Countersunk		1
	9.149-005.0	Sliding Connector H 3/8"		1	Kit A	9.104-038.0	O-Ring Repair Kit		
14	9.196-011.0	Plug 5/8 -18 UNF	D	1	Kit B	9.104-039.0	Outlet Kit		
15		O-Ring 12 ID x 2 CS	A, D	2	Kit C	9.104-040.0	Stem Basic Kit		
16		O-Ring 6 ID X 2 CS	A, D	1	Kit D	8.920-045.0	UU1 Complete Stem Kit		

KE.1 SERIES PUMP EXPLODED VIEW

9.803-814.0 KE 2020F
 9.803-815.0 KE 2020S
 9.803-816.0 KE 2825F
 9.803-817.0 KE 2825S
 9.803-818.0 KE 3525F



TORQUE SPECS	
Item #	Ft.-lbs
14	65
17	18
25	7.6
36	8
38	7
48	13

KE.1 SERIES PUMP EXPLODED VIEW PARTS LIST

ITEM	PART NO.	DESCRIPTION	QTY	ITEM	PART NO.	DESCRIPTION	QTY
1	9.803-938.0	Crankcase	1	16	9.803-951.0	Brass Plug G1/4	1
2*	9.804-586.0	Plunger Oil Seal	3	17	9.803-952.0	Manifold Stud Bolt	8
3*	See Kit Below	O-Ring Ø 1.78 x 28.30	3	18	9.802-884.0	Washer	8
4*	See Kit Below	Pressure Ring 15mm	3	19	9.803-198.0	Copper Washer 3/8	1
	See Kit Below	Pressure Ring 18mm	3	20	9.802-925.0	Brass Plug G3/8	2
5*	See Kit Below	U-Seal, dia 15mm	6	25	9.802-939.0	Screw	12
	See Kit Below	U-Seal, dia 18mm	6	26	9.803-953.0	Bearing Cover	2
6*	See Kit Below	Intermediate Ring 15mm	6	27	9.803-954.0	Bearing Seal	1
	See Kit Below	Intermediate Ring 18mm	6	28	9.802-914.0	Snap Ring	1
7*	See Kit Below	U-Seal, 15mm	3	29	9.803-955.0	Ball Bearing	2
	See Kit Below	U-Seal, 18mm	3	30	9.804-576.0	Crankshaft (2020F)	1
8	9.802-926.0	Brass Plug G1/2	1		9.804-577.0	Crankshaft (2020S)	1
9	9.803-199.0	Copper Washer 1/2"	1		9.804-578.0	Crankshaft (2825F)	1
10	9.803-946.0	Manifold Housing	1		9.804-579.0	Crankshaft (2825S)	1
11	9.803-947.0	O-Ring Ø1.78 x 15.54	6		9.804-580.0	Crankshaft (3525F)	1
12*	See Kit Below	Valve Assembly	6	31	9.803-957.0	Oil Dipstick	1
13*	9.803-948.0	O-Ring Ø2.62 x 18.77	6	32	9.804-581.0	O-Ring Ø3.53 x 55.56	1
14	9.803-949.0	Valve Plug	6	33	9.804-582.0	Needle Bearing	1
15	9.803-950.0	Copper Washer 1/4	1	34	9.804-583.0	Motor Flange 56C	1
				35	9.803-210.0	Washer	4

KE.1 SERIES PUMP EXPLODED VIEW PARTS LIST

ITEM	PART NO.	DESCRIPTION	QTY
36	9.804-584.0	Flange Screw	4
37	9.804-585.0	Crankshaft Seal	1
38*	See Kit Below	Plunger Nut	3
39*	See Kit Below	Copper Spacer	3
40*	See Kit Below	Plunger 15mm (2020F, 2825F, 3525F) 3	
	See Kit Below	Plunger 18mm (2020S, 2825S)	3
41*	See Kit Below	Copper Spacer	3
42*	See Kit Below	O-Ring Ø1.78 x 5.28	3
43*	See Kit Below	Teflon Ring	3
44	9.803-964.0	Plunger Rod	3
45	9.803-965.0	Connecting Rod Pin	3
46	9.803-966.0	Connecting Rod	3
47	9.803-218.0	Spring Washer	6
48	8.933-020.0	Connecting Rod Screw	6
49	9.803-969.0	O-Ring Ø2.62 x 107.62	1
50	9.803-968.0	Crankcase Cover	1
51	9.803-197.0	Gasket	1
52	9.803-202.0	Sight Glass	1

REPAIR KIT NUMBER	8.725-354.0	8.725-350.0	8.725-355.0	8.725-357.0	9.803-934.0	9.803-935.0	9.803-936.0	9.803-937.0
KIT DESCRIPTION	Plunger Seal 15mm 2020F.1 2825F.1 3525F.1	Plunger Seal 18mm 2020S.1 2825S.1	Complete Seal Packing 15mm 2020F.1 2825F.1 3525F.1	Complete Seal Packing 18 mm 2020S.1 2825S.1	Plunger 15mm 2020F.1 2825F.1 3525F.1	Plunger 18mm 2020S.1 2825S.1	Complete Valve	Plunger Oil Seals
ITEM NUMBERS INCLUDED	3, 5, 7	3, 5, 7	3, 4, 5, 6, 7	3, 4, 5, 6, 7	38, 39, 40, 41, 42, 43	38, 39, 40, 41, 42, 43	11, 12, 13	2
NO. OF CYLINDERS KIT WILL SERVICE	3	3	1	1	1	1	6	3

SPECIFICATIONS

HD Models

Machine		Pressure	Nozzle		Pump	Pump	Unloader	Motor	Motor
Model	GPM	(PSI)	Size	Hose p/n	Part #	Model	Part #	Hp	Part #
1.575-250.0	2.0	1000	3.75	9.802-233.0	9.803-814.0	KE2020F	9.175-018.0	1-1/2	9.802-338.0
1.575-251.0	1.9	1500	3.0	9.802-233.0	9.803-814.0	KE2020F	9.175-018.0	2	9.802-339.0
1.575-252.0	2.8	1000	5.5	9.802-233.0	9.803-816.0	KE-2825-F	9.175-018.0	2	9.802-339.0
1.575-253.0	3.5	2000	5.0	9.802-233.0	9.803-818.0	KE-3525-F	9.175-018.0	5	9.802-341.0

DE Models

Machine		Pressure	Nozzle		Pump	Pump	Unloader	Motor	Motor
Model	GPM	(PSI)	Size	Hose p/n	Part #	Model	Part #	Hp	Part #
1.106-061.0	2.0	1000	3.75	9.802-233.0	9.803-814.0	KE2020F	9.175-018.0	1-1/2	9.802-338.0
1.106-062.0	1.9	1500	3.0	9.802-233.0	9.803-814.0	KE2020F	9.175-018.0	2	9.802-339.0
1.106-063.0	2.8	1000	5.5	9.802-233.0	9.803-816.0	KE-2825-F	9.175-018.0	2	9.802-339.0
1.106-064.0	3.5	2000	5.0	9.802-233.0	9.803-818.0	KE-3525-F	9.175-018.0	5	9.802-341.0