

**DECAL DESCRIPTIONS AND LOCATIONS  
DESCRIPCIÓN DE CALCAMONIAS Y UBICACIONES**

**TARGET**  
(1/2" Tall Letters)

P/N 187695 Decal, Target LB-0.47  
Location: Belt Guard (LH Side of Machine)  
Quantity: 1, Models: All

**TARGET**  
(1" Tall Letters)

P/N 189732 Decal, Target LB-1.00  
Location: RH Side of Machine  
Quantity: 1, Models: All

**TARGET**  
**MINI-PLANER**

P/N 187689 Decal, Target Mini Planer  
Location: Front of Frame  
Quantity: 1, Models: All

**TARGET**  
TARGETBLUE.COM

P/N 187691 Decal, www.targetblue.com  
Location: On Rear Axle  
Quantity: 1, Models: All



P/N 169065, Decal, Muffler Hot  
Location: Top of Fuel Tank  
Quantity: 1  
Models: Gasoline Powered Models Only



P/N 177588, Decal, Warning, Large  
Location: Rear Side of Belt Guard  
Quantity: 1, Models: All

**Parts List  
Callout Designation:**

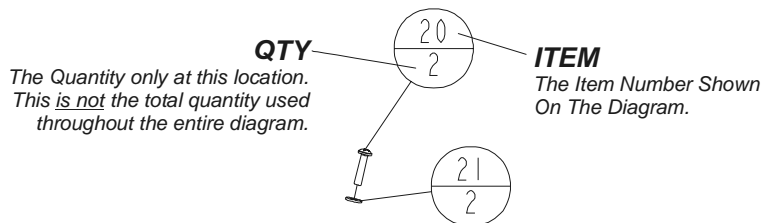
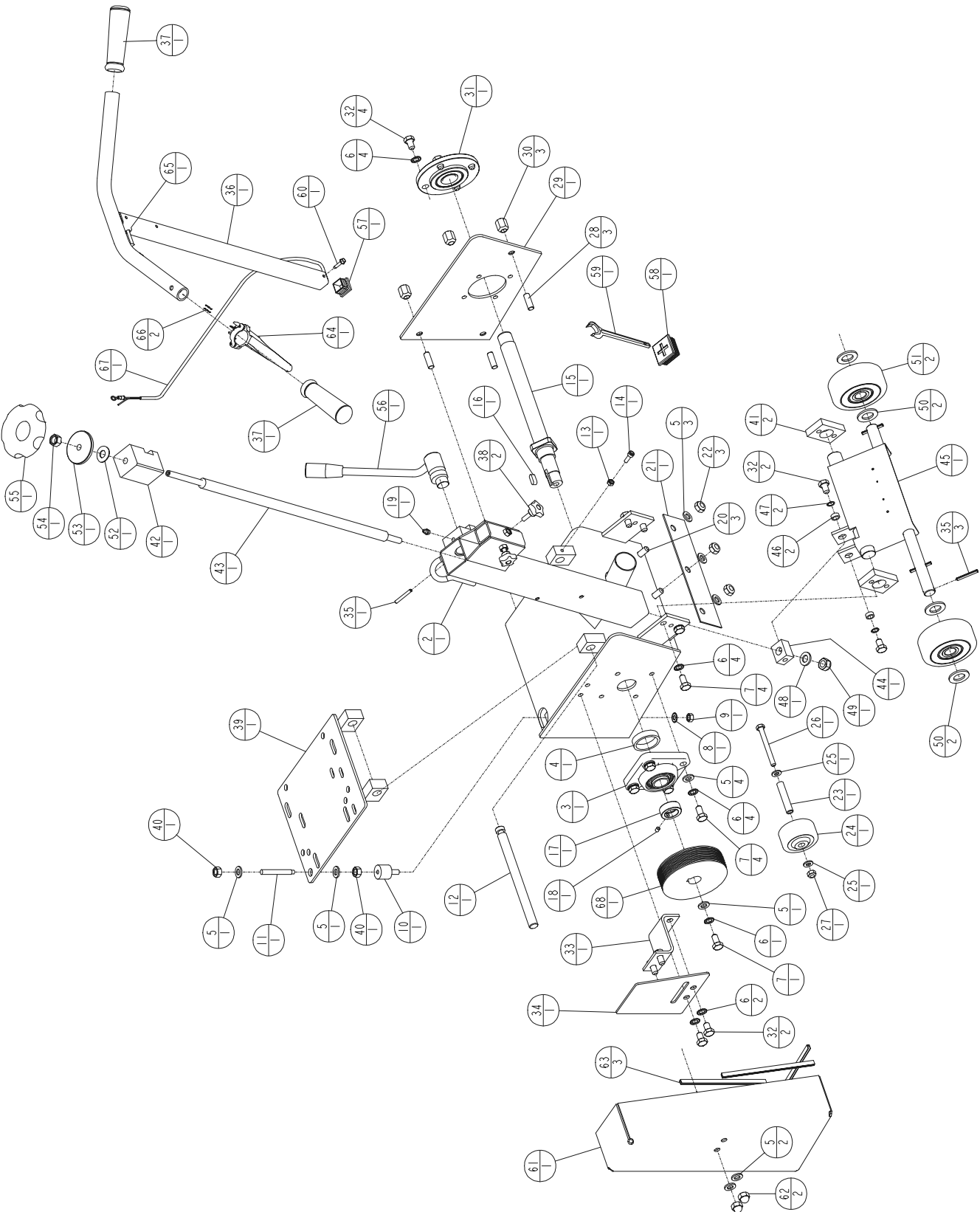


Diagram 1 – Frame Assembly (Less Head)

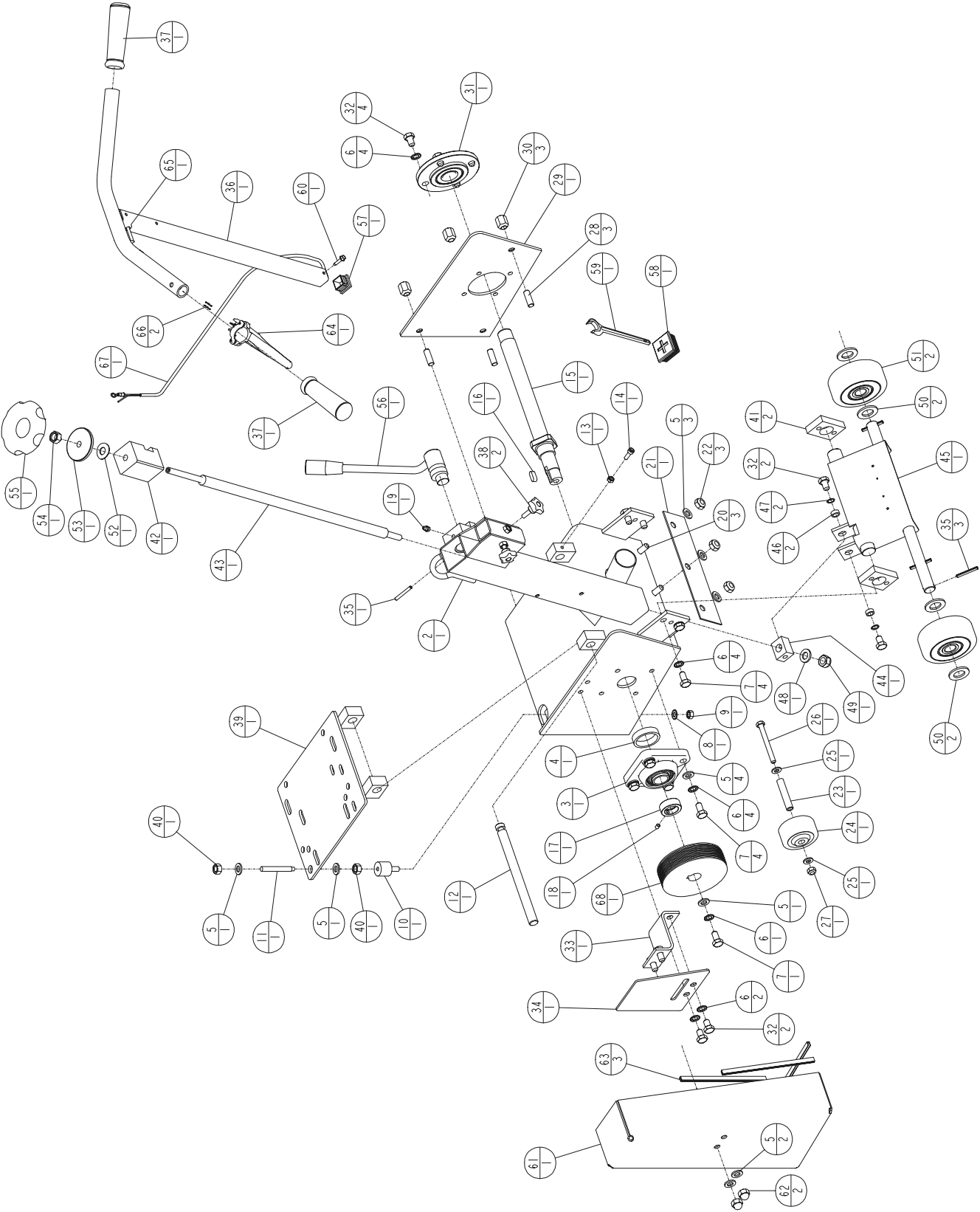


# Diagram 1 – Parts List - Frame Assembly, Less Head (Page 1 of 2, Items 1-45)

(Rev 20June2003)

ITEM	P/N	DESCRIPTION	QTY
1	-----	Mini Planer Frame Assembly (Less Head)	1
2	173000	Chassis Weldment	1
3	173023	Bearing (Includes Items 17 & 18)	1
4	173022	Bearing Spacer	1
5	173014	Washer, Flat M10	12
6	173006	Lockwasher, External Tooth, M10	15
7	139744	Capscrew, Hex Hd M10 x 1.50 x 20mm	9
8	173019	Lockwasher, External Tooth, M8	1
9	172027	Nut, Hex Hd M8 x 1.25	1
10	173054	Rubber Support	1
11	173053	Tension Screw (5.5hp Honda & Electric Model)	1
	180768	Tension Screw (9hp Honda)	1
12	173052	Motor Support Shaft	1
13	172017	Nut, Hex Hd M6 x 1.00	1
14	173046	Capscrew, Soc Hd M6 x 1.0 x 20mm	1
15	173020	Main Shaft	1
16	173021	Key, 8mm x 20mm x 7mm Tall	1
17	-----	Concentric Set Collar, 25mm ID (Incl. with Item 3)	1
18	-----	Setscrew, M6 x 1.0 x 6mm (Incl. with Item 3)	1
19	173031	Grease Fitting, M8	1
20	139749	Capscrew, Hex Hd M10 x 1.50 x 25mm	3
21	173011	Splash Flap	1
22	139748	Locknut, Fiber M10 x 1.50	3
23	180769	Chassis Wheel Sleeve	1
24	173008	Chassis Wheel	1
25	173059	Washer, Flat M8	2
26	139756	Capscrew, Hex Hd M8 x 1.25 x 80mm	1
27	139738	Locknut, Fiber M8 x 1.25	1
28	173001	Stud, M10 x 1.5 x 30mm	3
29	173002	Side Guard	1
30	173003	Lug Nut, M10	3
31	173004	Bearing Plate Assembly	1
32	173005	Capscrew, Hex Hd M10 x 1.50 x 16mm	8
33	173027	Belt Guard Support Weldment	1
34	180812	Belt Guard Plate, Std (Not Used On Electric Model)	1
35	173033	Pin, Roll 5mm Dia x 40mm	4
36	173043	Handle Weldment	1
37	139568	Grip, Handle	2
38	173048	Hand Knob	2
39	180822	Engine Base Modified	1
40	139750	Nut, Hex Hd M10 x 1.50	2
41	173030	Pivot Block	2
42	173039	Slide, Connecting Rod	1
43	173040	Connecting Rod	1
44	173041	Bearing Block, Connecting Rod	1
45	173032	Height Adjustment Base Weldment	1

Diagram 1 – Frame Assembly (Less Head) - Continued



# Diagram 1 – Parts List - Frame Assembly, Less Head (Page 2 of 2, Items 46-68)

Rev 14June2003

ITEM	P/N	DESCRIPTION	QTY
46	177950	Bearing Spacer	2
47	177949	Bearing Washer	2
48	173042	Washer, Flat M12	1
49	139742	Locknut, Fiber M12 x 1.75	1
50	173035	Washer, Flat M20	4
51	173034	Wheel, Height Adjustment	2
52	173038	Washer, Spring 33mm OD x 13mm ID x 1.5mm	1
53	173037	Nut, Connecting Rod	1
54	173009	Nut, Hex Hd M12 x 1.75	1
55	173036	Knob, Connecting Rod	1
56	173049	Cam Lever Assembly (5.5hp Honda, Robin & Elect)	1
--	180724	Lever Rod (9hp Honda Only)	1
57	180783	Handle End Cap	1
58	173050	Wrench Holder	1
59	173051	Wrench - 17mm (Early Models)	1
--	169676	Wrench - 16mm (Later Models)	1
60	180800	Screw, Hex Wash Hd Self Tap M4.8 x 1.6 x 20mm Lg	1
61	173028	Belt Guard Cover (5.5hp Honda, Robin)	1
--	180777	Belt Guard Cover (9hp Honda)	1
--	195007	Belt Guard Cover (Electric)	1
62	173029	Nut, Dome M10	2
63	180785	Trim, Belt Guard Cover	3
64	180797	Deadman Lever Assy (Not Used On Electric Models)	1
65	180784	Grommet	1
66	180801	Female Connector (Not Used On Electric Models)	2
67	180802	Deadman Lever Cable (Not Used On Electric Models)	1
68	173025	Shaft Pulley	1

## Parts List Callout Designation:

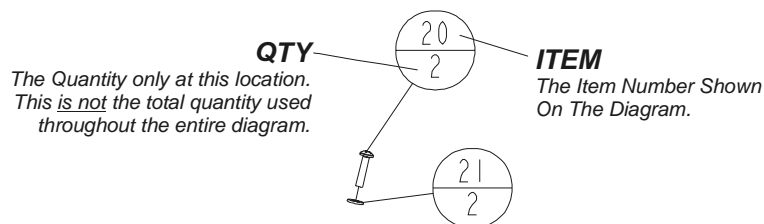
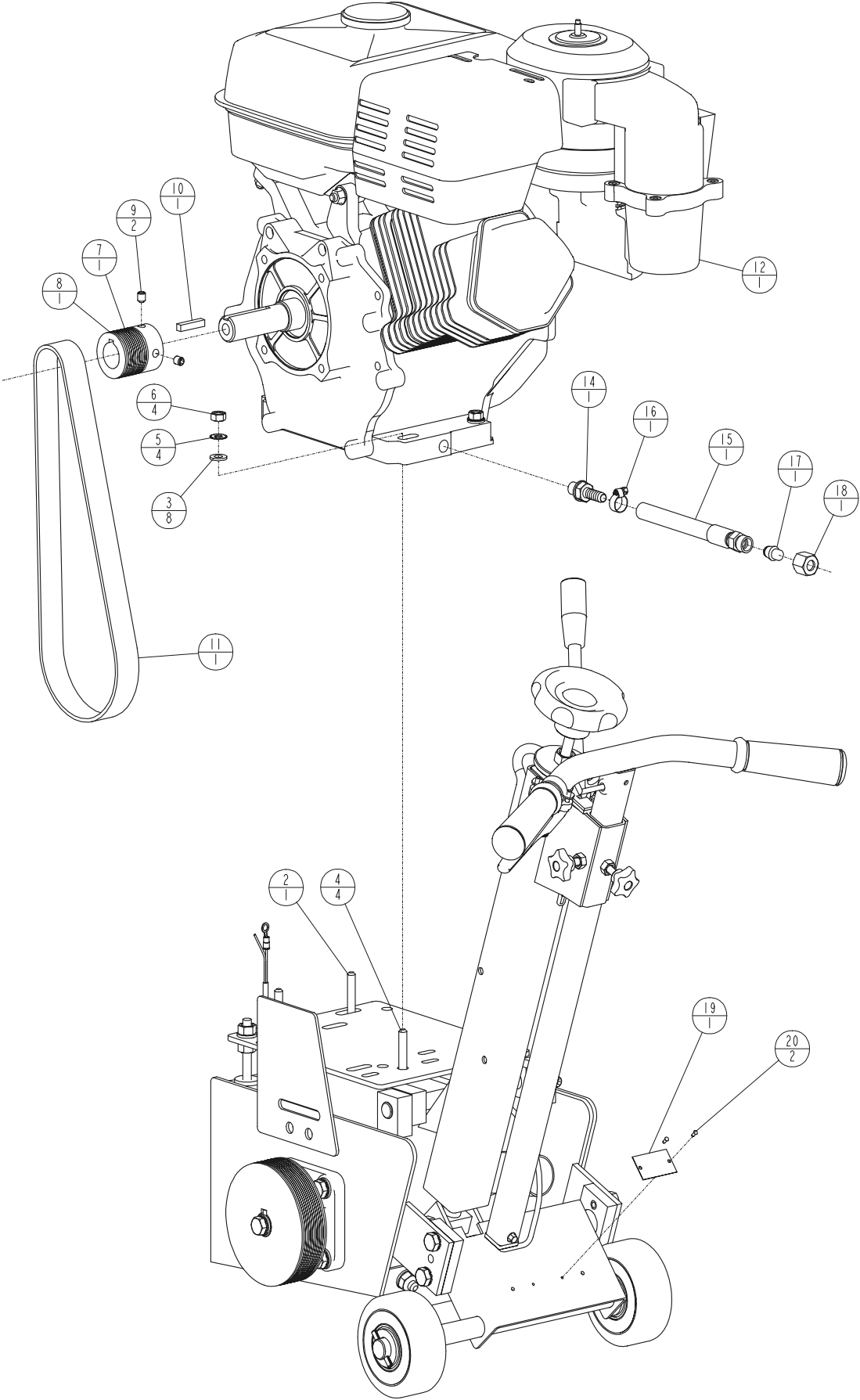


Diagram 2 – Engine Group, 9HP Honda



## Diagram 2 – Parts List – Engine Group, 9HP Honda

ITEM	P/N	DESCRIPTION	QTY
1	-----	Mini Planer Assembly (Less Head), 9hp Honda	1
2	-----	Loose Engine Parts, 9hp Honda	1
3	173059	Washer, Flat M8	8
4	173058	Capscrew, Hex Hd M8 x 1.25 x 45mm	4
5	173019	Lockwasher, External Tooth, M8	4
6	172027	Nut, Hex Hd M8 x 1.25	4
7	187224	Engine Pulley w/SS (9hp Honda) (Includes Item8-9)	1
8	-----	Pulley, Engine 9hp Honda	1
9	020550	Screw, Set Soc Cup Pt .312-18UNC x .375	2
10	020067	Key, Square .250 x 1.25 Lg	1
11	187223	Belt, Poly-V - 12J320	1
12	177819	Engine, 9hp Honda GX290 Gasoline	1
13	043735	Oil, 10W30 [Qty: 1.15 Quart (9hp), .63 (5.5hp)]	--
14	167133	Adapter, M12 x 10mm Hose Barb	1
15	167305	Hose Assembly, Oil Drain	1
16	020049	Hose Clamp, Worm Drive	1
17	167306	Cap, Blanking	1
18	167622	Tube Nut, M16	1
19	-----	Model & Serial Name Plate	1
20	020390	Screw, Rd Hd Drive #2 x .25 Type U	2

### Parts List Callout Designation:

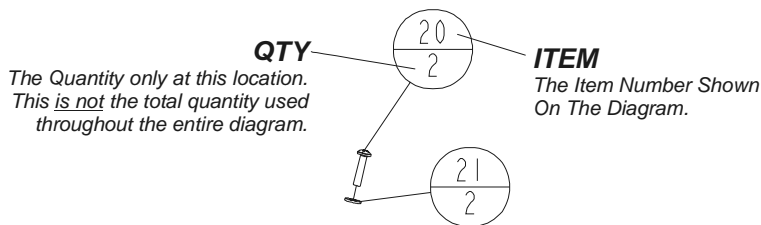
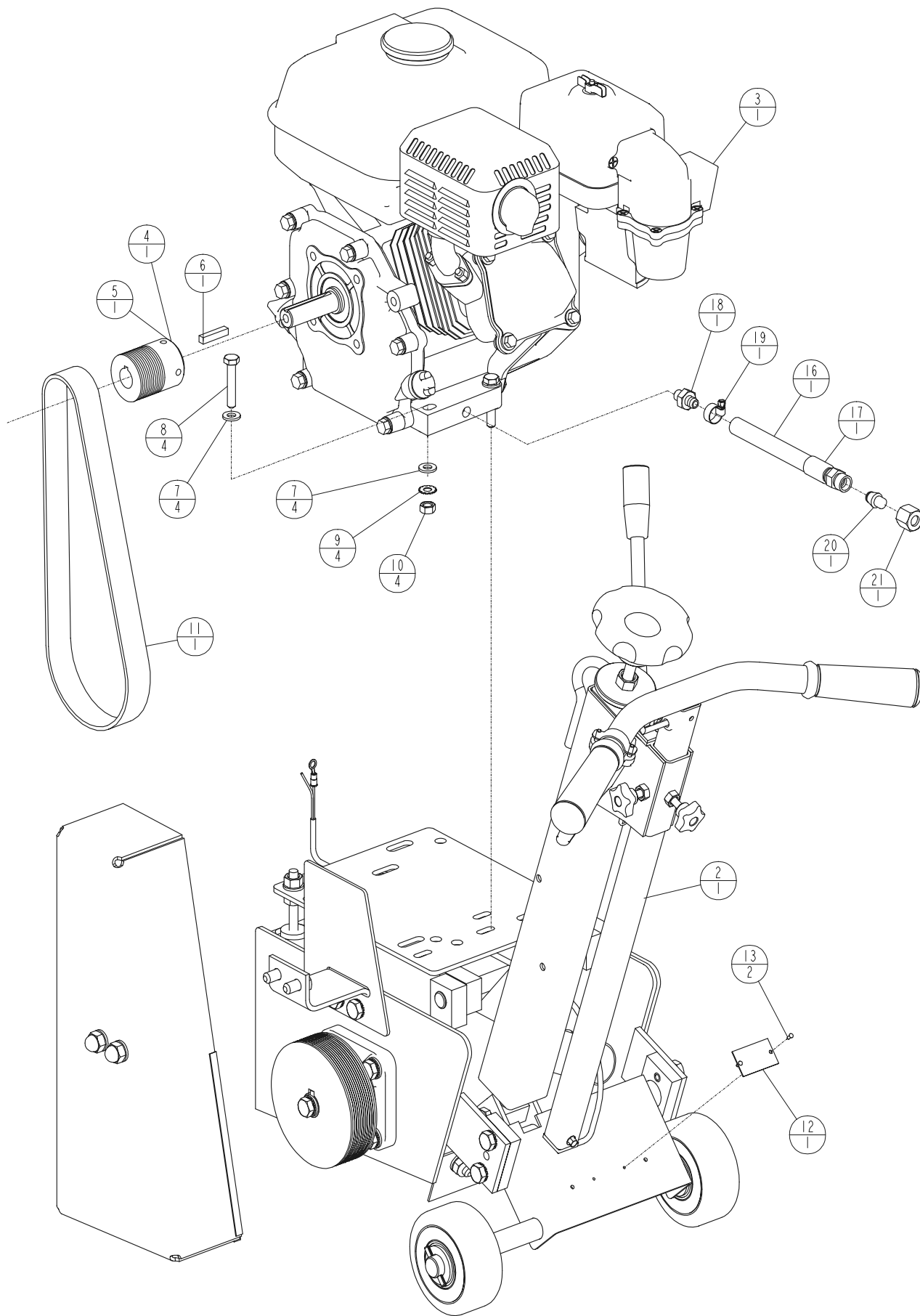


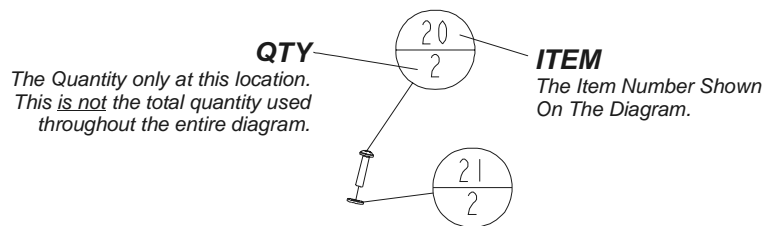
Diagram 3 – Engine Group, 5.5HP Honda



### Diagram 3 – Parts List – Engine Group, 5.5HP Honda

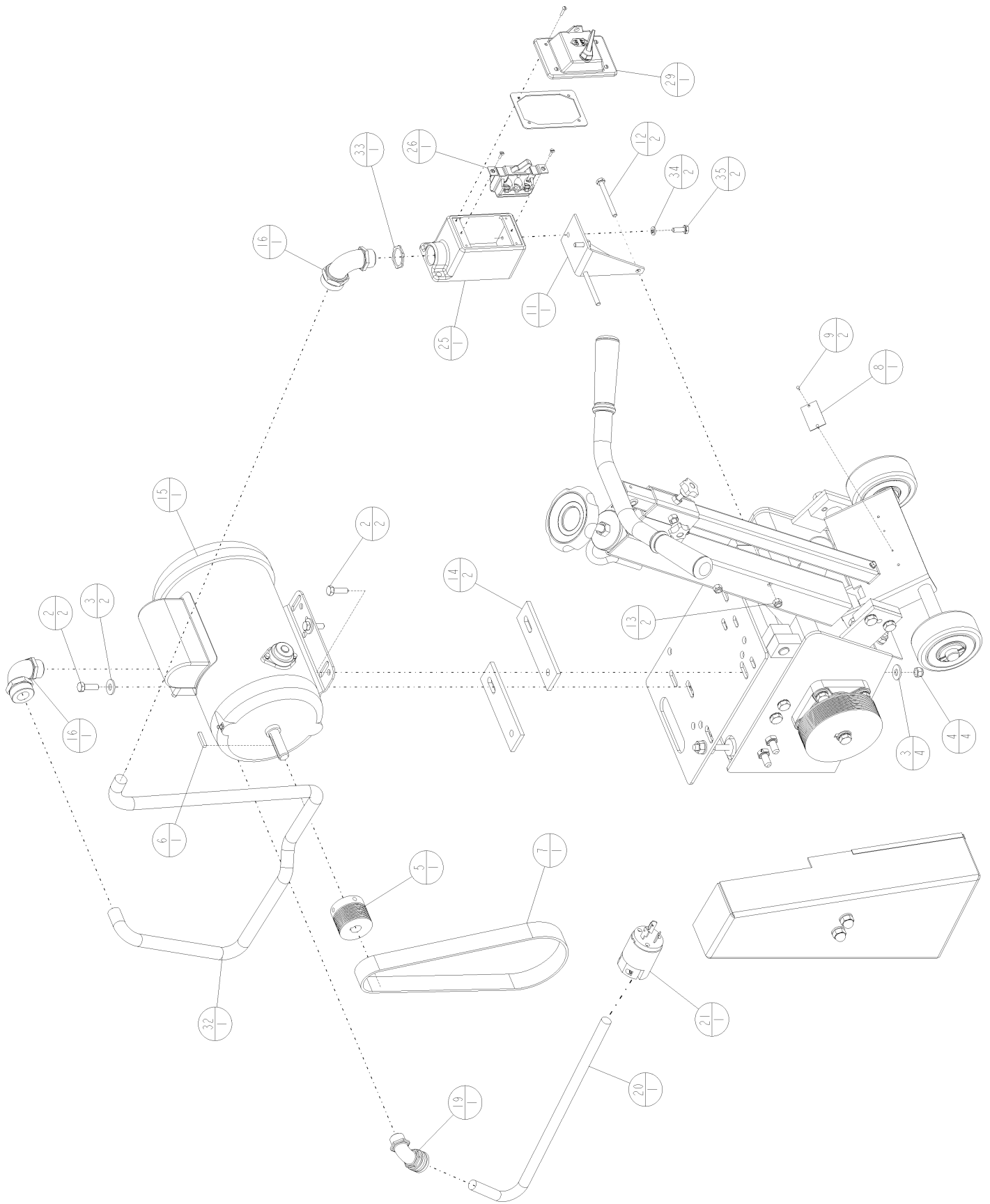
ITEM	P/N	DESCRIPTION	QTY
1	-----	Mini Planer (Less Head), 5.5hp Honda	1
2	173064	Mini Planer Frame Assembly (Less Head)	1
3	173098	Engine, 5.5hp Honda GX160 Gasoline	1
4	-----	Loose Engine Parts, 5.5hp Honda	1
5	173057	Pulley, w/SS (5.5hp Honda)	1
6	020067	Key, Square .250 x 1.25 Lg	1
7	173059	Washer, Flat M8	8
8	173058	Capscrew, Hex Hd M8 x 1.25 x 45mm	4
9	173019	Lockwasher, External Tooth, M8	4
10	172027	Nut, Hex Hd M8 x 1.25	4
11	173026	Belt, Poly-V, 300J12	1
12	-----	Model & Serial Name Plate	1
13	020390	Screw, Rd Hd Drive #2 x .25 Type U	2
14	043735	Oil, 10W30 [Qty: 1.15 (9Hp); Qty: .63 (5.5Hp)]	1
15	046127	Decal, Caution	1
16	167435	Hose Assembly, Oil Drain (Includes Items 17-21)	1
17	167305	Hose Assembly, Oil Drain	1
18	177382	Adapter Fitting, M10 x 1.25 x .38 Hose Barb	1
19	020049	Hose Clamp, Worm Drive	1
20	167306	Cap, Blanking	1
21	167622	Tube Nut, M16	1

### Parts List Callout Designation:



# Diagram 4 – Motor Group, 2 hp Baldor Electric

Rev 14June2003



## Diagram 4 – Parts List – Motor Group, 2 hp Baldor Electric

Rev 20June2003

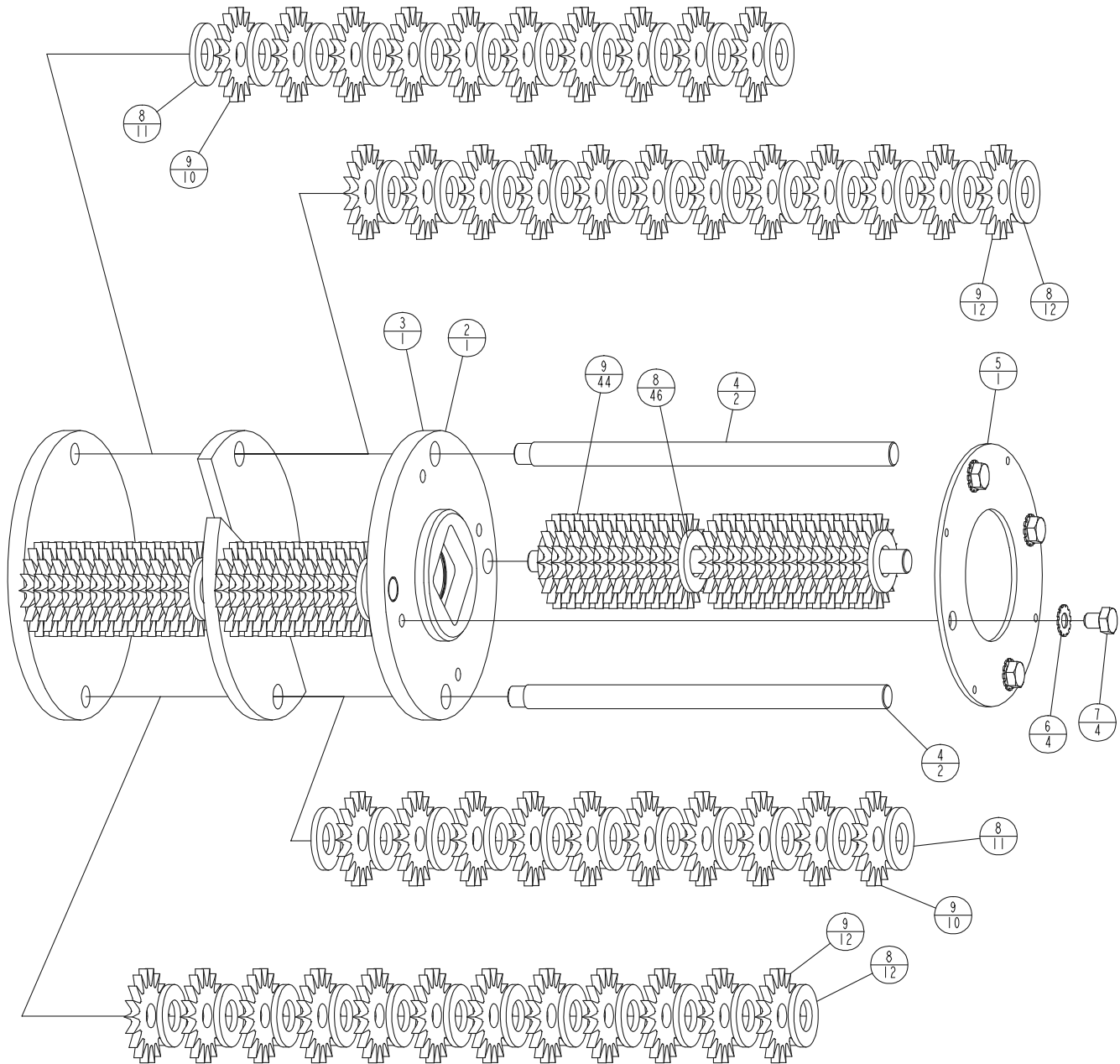
INDEX	P/N	DESCRIPTION	QTY
1	-----	Mini Planer Assy (Less Hd), 2Hp,115/208-230/60	1
2	020373	Capscrew, Hex Hd .312-18UNC x 1.50	4
3	020742	Washer, Flat .313 Dia	8
4	020197	Locknut, Fiber .3125-18UNC	4
5	173113	Pulley, w/setscrews (not shown)	1
6	020060	Key, Square .188 x 1.00 Lg	1
7	173026	Belt, Poly-V, 300J12	1
8	-----	Model & Serial Name Plate	1
9	020390	Screw, Rd Hd Drive #2 x .25 Type U	2
10	177588	Decal, Warning Large	1
11	173109	Switch Bracket	1
12	020458	Capscrew, Hex Hd .250-20UNC x 2.50	2
13	020195	Locknut, Fiber .250-20UNC	2
14	174962	Spacer, Bearing	4
15	180824	Motor & Switch Assembly, ¾ NPT <b>(After 06-01-2000)</b>	1 (See Note A)
--	162532	Motor & Switch Assembly, ½ NPT <b>**</b>	1 (See Note A)
16	180815	Connector, 90 Degree, 3/4 NPT (w/strain relief)	1
17	180818	Ring Terminal, 12-10 Insulated #8 Stud	1
18	170075	Wire Connector, Red	3
19	030072	Connector, 90 Degree, 1/2 NPT (w/strain relief)	1
20	180808	Cable, 12-3 Conductor x 26 Inches Lg	1
21	169590	Plug, L6-20P (20A, 250V) <b>(Effective 06-01-2000)</b>	1
--	030122	Plug, Twist Lock, Nema L6-15P (15A, 250V) <b>**</b>	1
22	-----	Decal, Motor Wired For	1
23	046326	Decal, Caution-Ground	1
24	046327	Decal, Cords	1
25	180814	Switch Box, 3/4NPT <b>(Effective 06-01-2000)</b>	1
--	032543	Switch Box Modified, ½ NPT <b>**</b>	1
26	161581	Switch 30A, 250V	1
27	180818	Ring Terminal, 12-10 Insulated #8 Stud	1
28	030085	Fork Terminal, 12-10GA	4
29	032541	Cover Assembly, Dust Proof Switch Box	1
30	020205	Locknut, Fiber .750-10UNC	1
31	180815	Connector, 90 Degree, 3/4 NPT (w/strain relief)	1
--	030072	Connector, Angle <b>**</b>	1
32	180809	Cable, 12-5 Conductor x 35 Inches Lg	1
--	020998	Cable, 14-4 <b>**</b>	1
33	176953	Locknut, 3/4 Conduit <b>(Effective 06-01-2000)</b>	1
--	175244	Locknut, 1/2 Conduit <b>**</b>	1
34	020784	Lockwasher, Split .250	2
35	020370	Capscrew, Hex Hd .250-20UNC x .75	2

**\*\* These Items Used On Units Built Before 06-01-2000.**

Notes:

A. Motor and Switch (Item 15) Also Includes Items 16, 20, 21, 25, 26, 29, 32, 33).

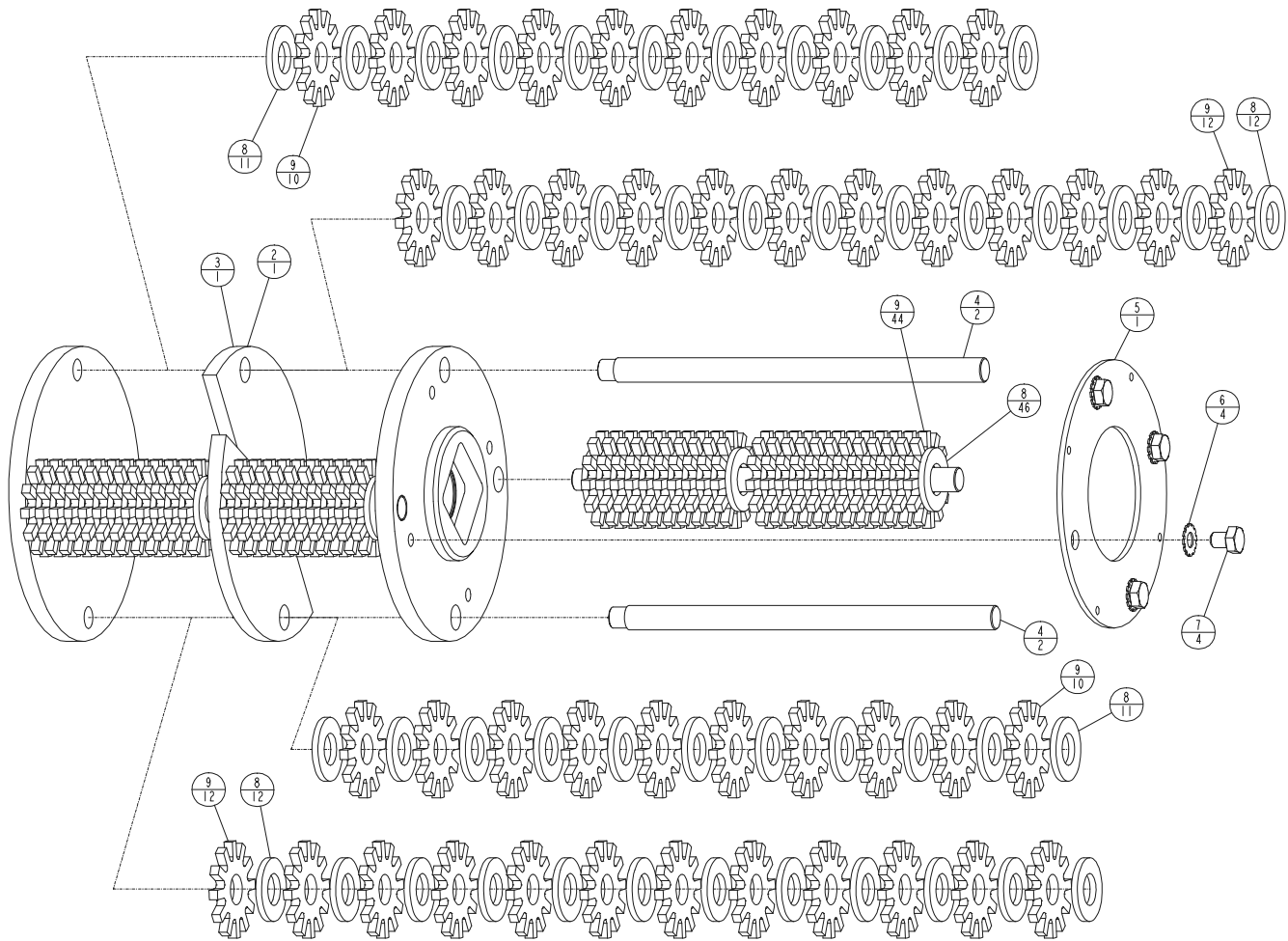
**Diagram 5 – Drum Assembly, ½” ID Star Cutters**



**Diagram 5 – Parts List – Drum Assembly, ½” ID Star Cutters**

ITEM	P/N	DESCRIPTION	QTY
1	187031	Star Head Assembly, Mini Planer	1
2	187057	Drum Assembly, Mini Planer	1
3	180720	Drum Weldment, Mini Planer	1
4	180721	Cutters Shaft	4
5	180718	Stop Washer	1
6	173019	Lockwasher, External Tooth, M8	4
7	173018	Capscrew, Hex Hd M8 x 1.25 x 10mm (Full Thread)	4
8	020767	Washer, Flat .625 SAE	108
9	177826	Star Cutter Wheel	108

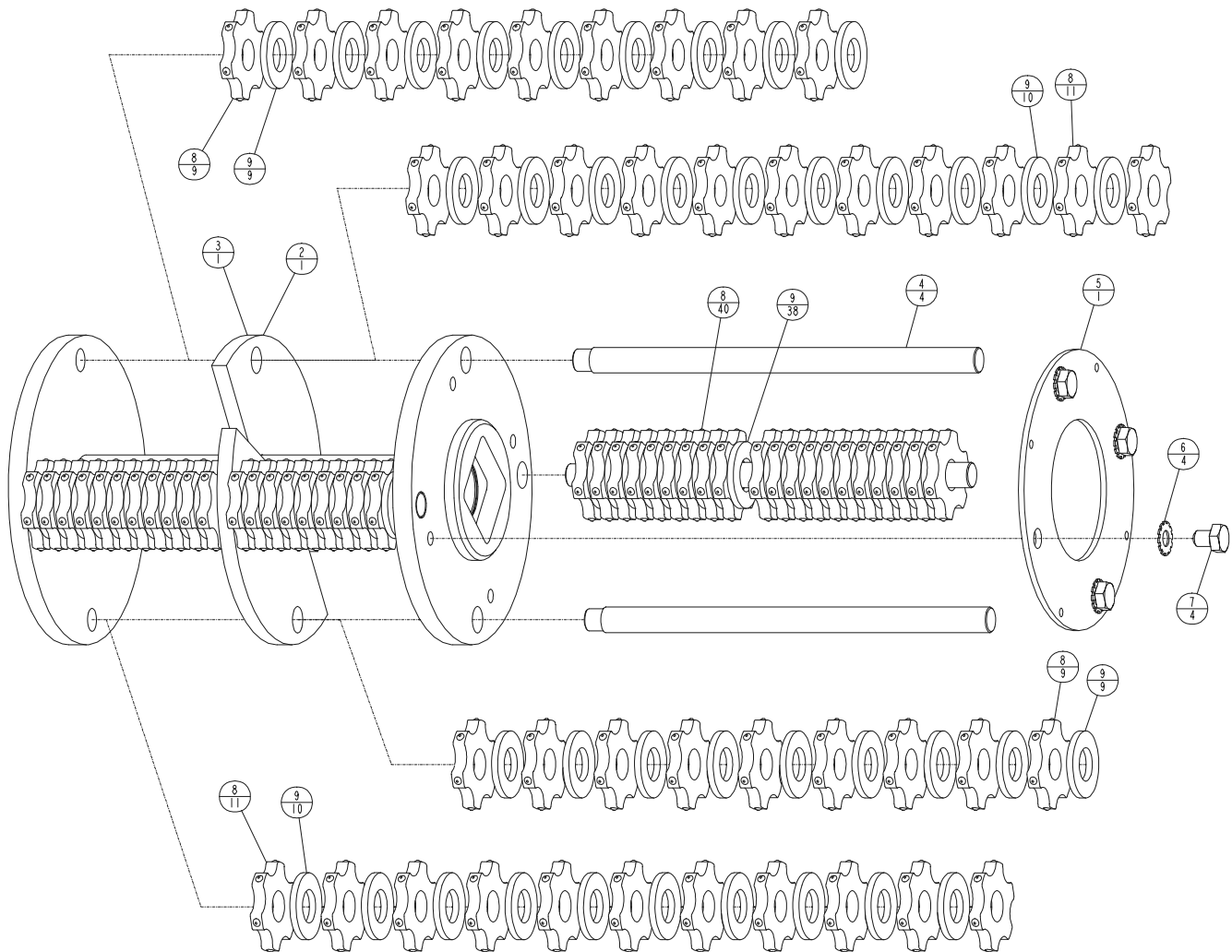
## Diagram 6– Drum Assembly, ½” ID Beam Cutters



## Diagram 6– Parts List - Drum Assembly, ½” ID Beam Cutters

ITEM	P/N	DESCRIPTION	QTY
1	187032	Beam Head Assembly	1
2	187057	Drum Assembly, Mini Planer	1
3	180720	Drum Weldment, Mini Planer	1
4	180721	Cutters Shaft	4
5	180718	Stop Washer	1
6	173019	Lockwasher, External Tooth, M8	4
7	173018	Capscrew, Hex Hd M8 x 1.25 x 10mm (Full Thread)	4
8	020767	Washer, Flat .625 SAE	108
9	177828	Beam Cutter Wheel	108

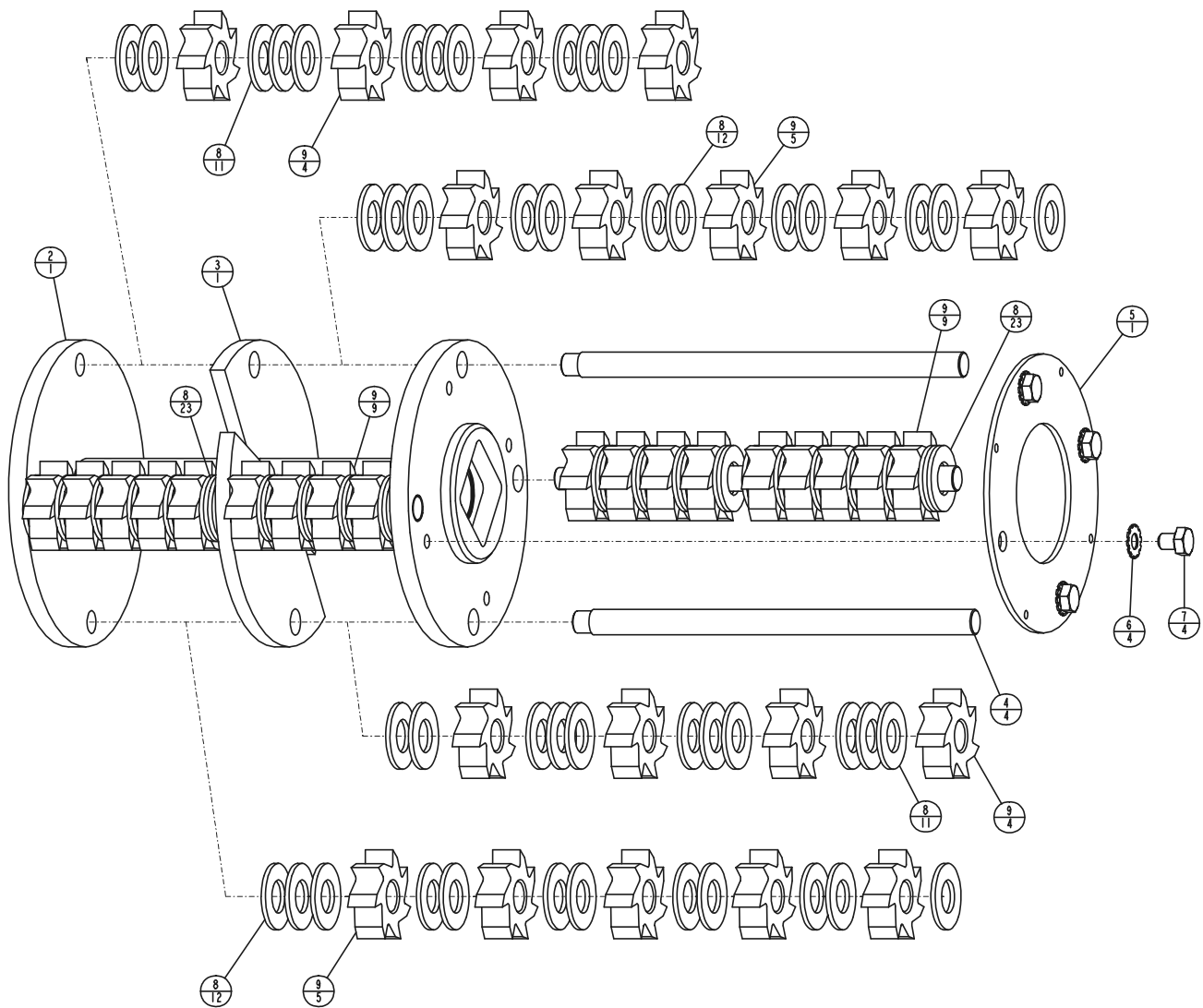
**Diagram 7 – Drum Assembly, ½” ID Tungsten Cutters (6 mm Wide)**



**Diagram 7 – Parts List - Drum Assembly, ½” ID Tungsten Cutters (6mm Wide)**

ITEM	P/N	DESCRIPTION	QTY
1	187033	TC Head Assembly	1
2	187057	Drum Assembly, Mini Planer	1
3	180720	Drum Weldment, Mini Planer	1
4	180721	Cutters Shaft	4
5	180718	Stop Washer	1
6	173019	Lockwasher, External Tooth, M8	4
7	173018	Capscrew, Hex Hd M8 x 1.25 x 10mm (Full Thread)	4
8	177830	TC Cutter Wheel	88
9	020767	Washer, Flat .625 SAE	100

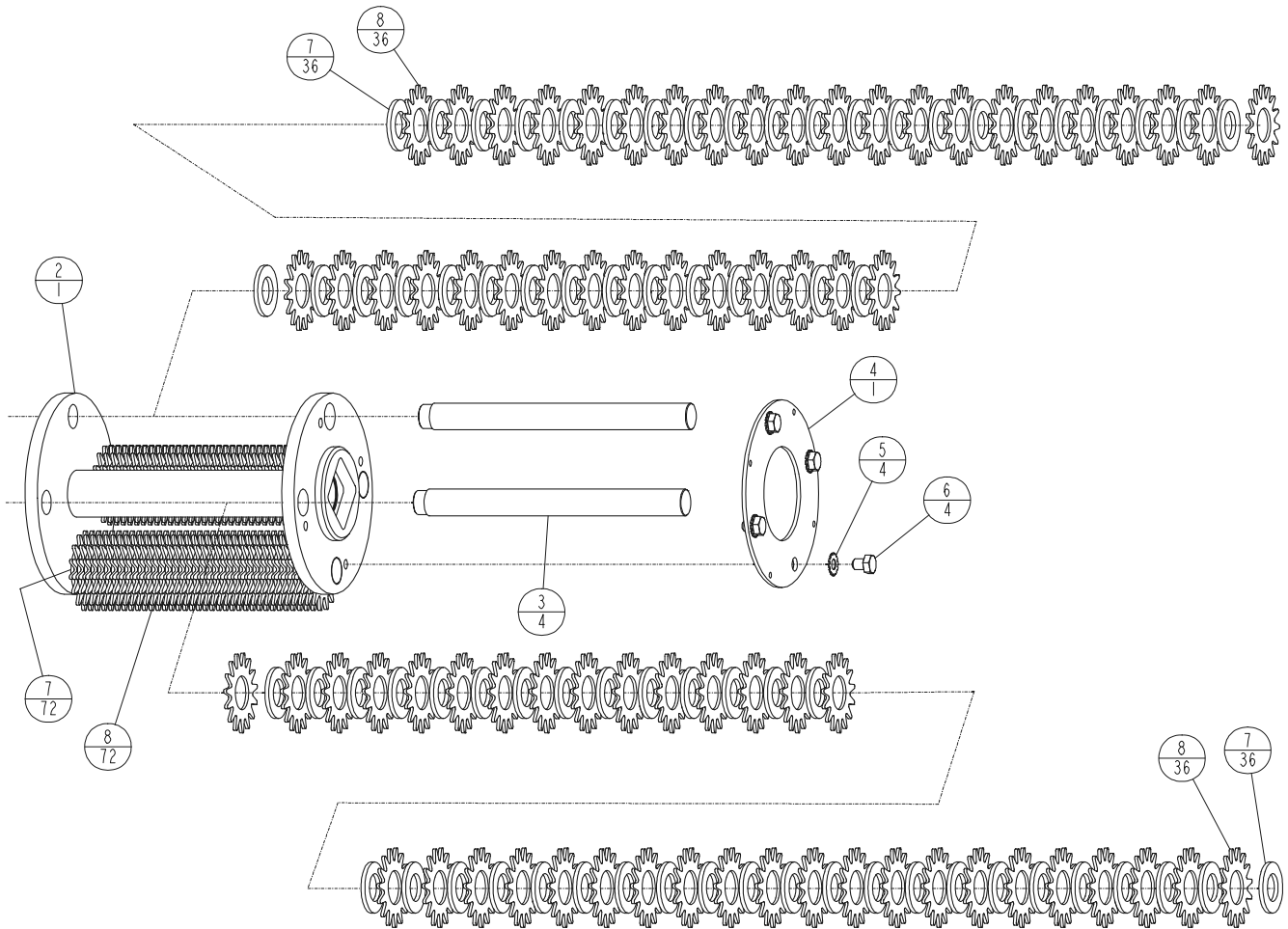
**Diagram 8 – Drum Assembly, ½” ID Tungsten Cutters (15 mm Wide)**



**Diagram 8 – Parts List - Drum Assembly, ½” ID Tungsten Cutters (15 mm Wide)**

ITEM	P/N	DESCRIPTION	QTY
1	187034	Tungsten Carbide Head Assembly, 15mm	1
2	187057	Drum Assembly, Mini Planer	1
3	180720	Drum Weldment, Mini Planer	1
4	180721	Cutters Shaft	4
5	180718	Stop Washer	1
6	173019	Lockwasher, External Tooth, M8	4
7	173018	Capscrew, Hex Hd M8 x 1.25 x 10mm (Full Thread)	4
8	020767	Washer, Flat .625 SAE	92
9	187035	Tungsten Carbide Cutter Wheel, 15mm	36

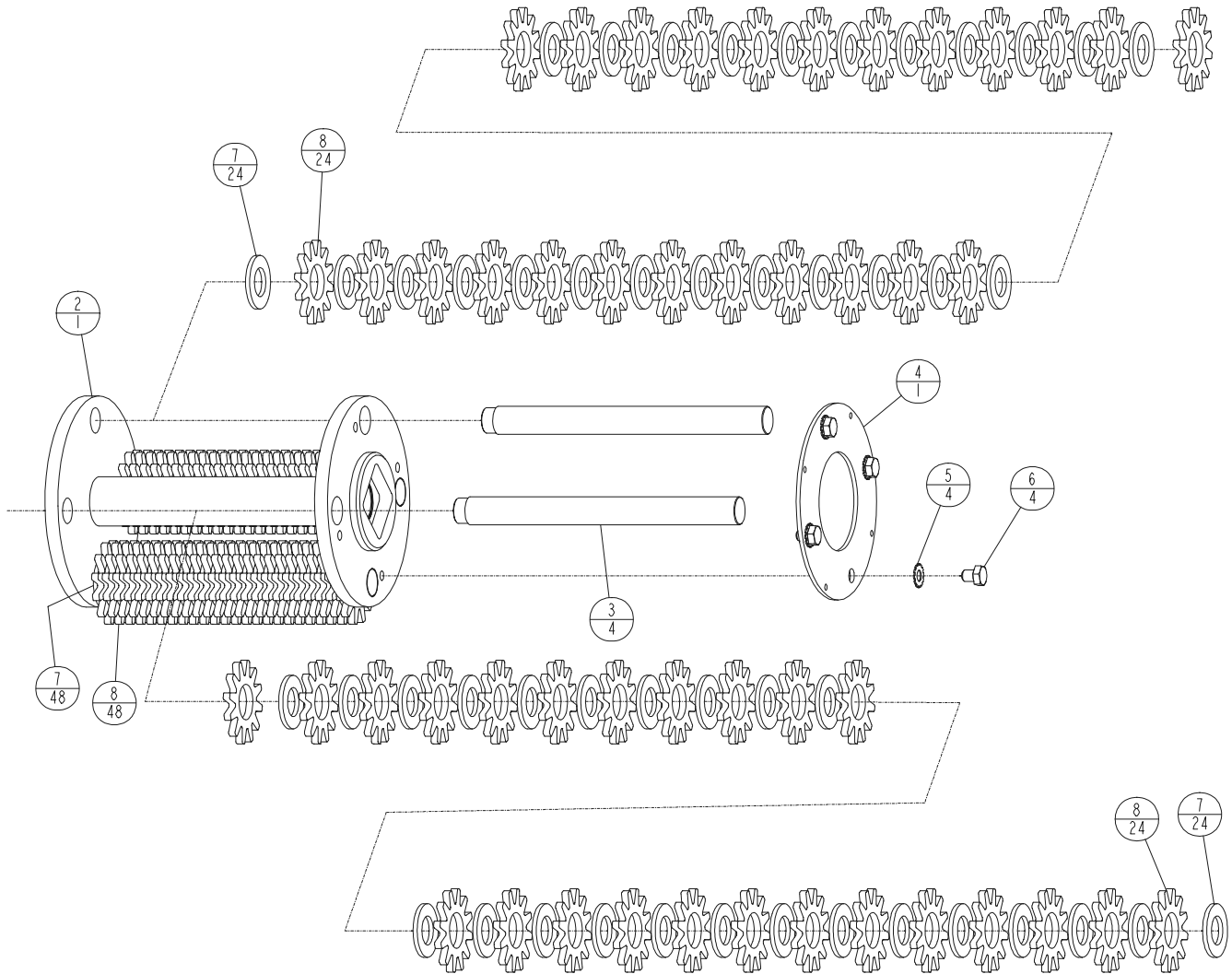
## Diagram 9 – Drum Assembly, 3/4" ID Star Cutters



## Diagram 9 – Parts List – Drum Assembly, 3/4" ID Star Cutters

ITEM	P/N	DESCRIPTION	QTY
1	173089	Star Cutter Head Assembly, 3/4 Shaft	1
2	173015	Drum Assembly, 1 Inch Shaft	1
3	173016	Cutters Shaft, 1 Inch Shaft	4
4	173017	Cutter Shaft Retaining Plate	1
5	173019	Lockwasher, External Tooth, M8	4
6	173018	Capscrew, Hex Hd M8 x 1.25 x 10mm (Full Thread)	4
7	020768	Washer, Flat .75 SAE	144
8	173086	Star Cutter Wheel, 3/4" Shaft	144

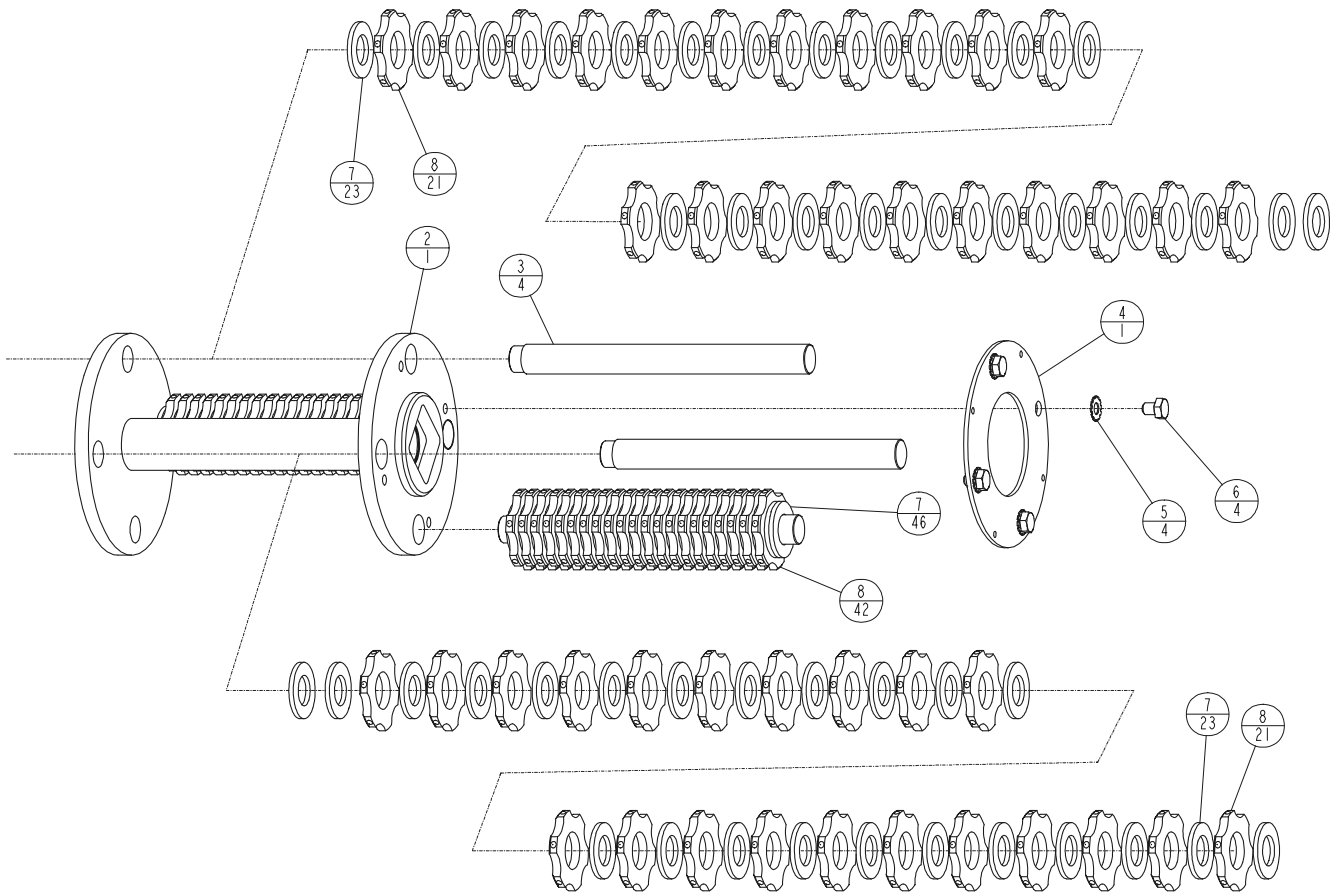
## Diagram 10 – Drum Assembly, 3/4” ID Beam Cutters



## Diagram 10 – Parts List – Drum Assembly, 3/4” ID Beam Cutters

ITEM	P/N	DESCRIPTION	QTY
1	173090	Beam Cutter Head Assembly, 3/4 Shaft	1
2	173015	Drum Assembly, 1 Inch Shaft	1
3	173016	Cutters Shaft, 1 Inch Shaft	4
4	173017	Cutter Shaft Retaining Plate	1
5	173019	Lockwasher, External Tooth, M8	4
6	173018	Capscrew, Hex Hd M8 x 1.25 x 10mm (Full Thread)	4
7	020768	Washer, Flat .75 SAE	96
8	173085	Beam Cutter Wheel, 3/4" Shaft	96

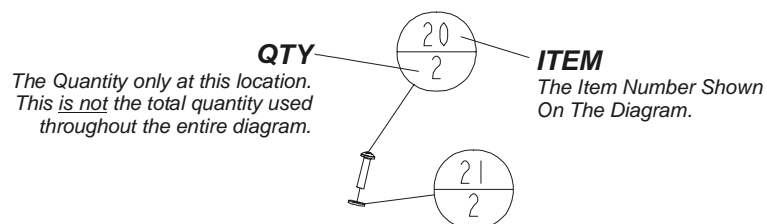
### Diagram 11 – Drum Assembly, 3/4" ID Tungsten Cutters (6mm Wide)



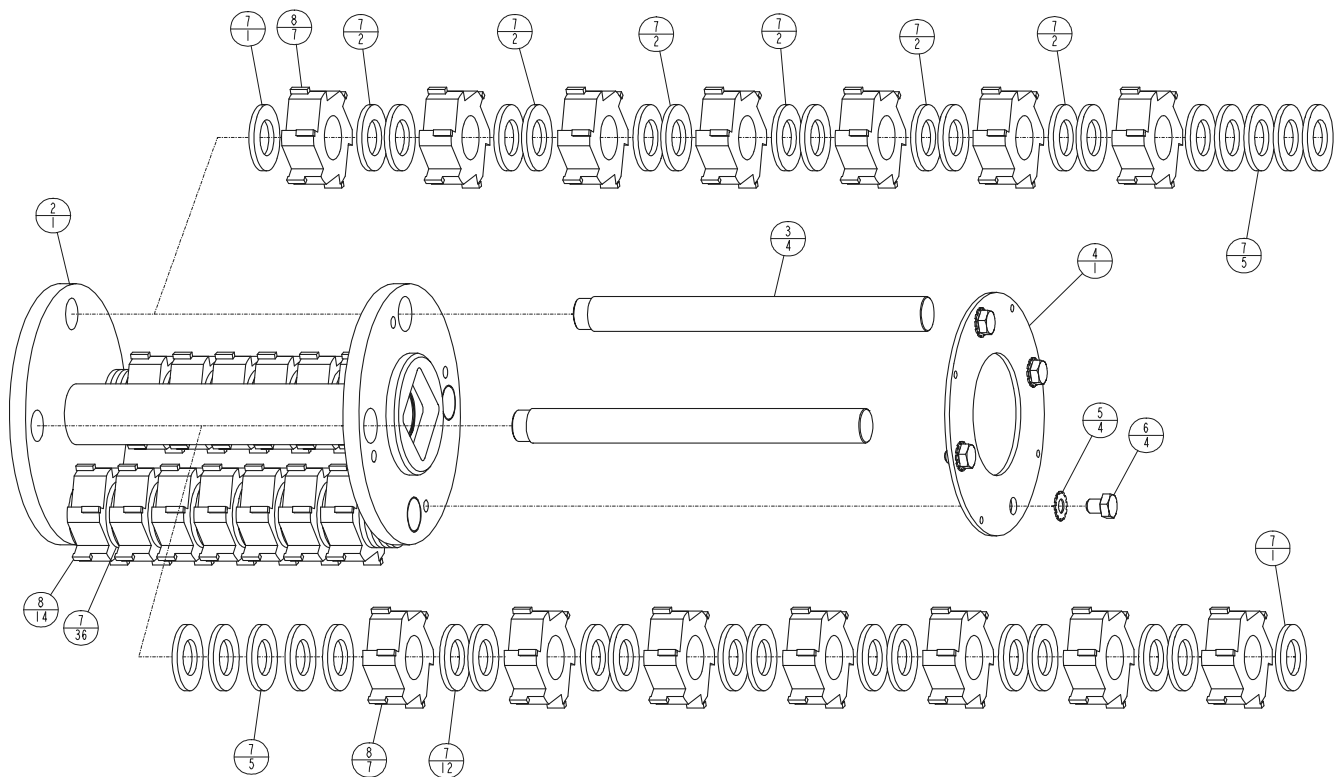
### Diagram 11 – Parts List – Drum Assembly, 3/4" ID Tungsten Cutters (6mm Wide)

ITEM	P/N	DESCRIPTION	QTY
1	173091	Tungsten Cutter Head Assembly (6mm) , 3/4 Shaft	1
2	173015	Drum Assembly, 1 Inch Shaft	1
3	173016	Cutters Shaft, 1 Inch Shaft	4
4	173017	Cutter Shaft Retaining Plate	1
5	173019	Lockwasher, External Tooth, M8	4
6	173018	Capscrew, Hex Hd M8 x 1.25 x 10mm (Full Thread)	4
7	020768	Washer, Flat .75 SAE	92
8	173087	TC Cutter Wheel, 3/4" Shaft	84

### Parts List Callout Designation:



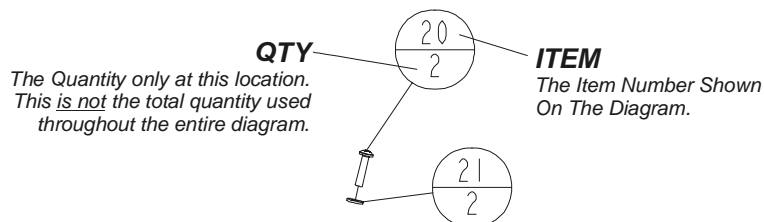
## Diagram 12 – Drum Assembly, 3/4" ID Tungsten Cutters (19mm Wide)



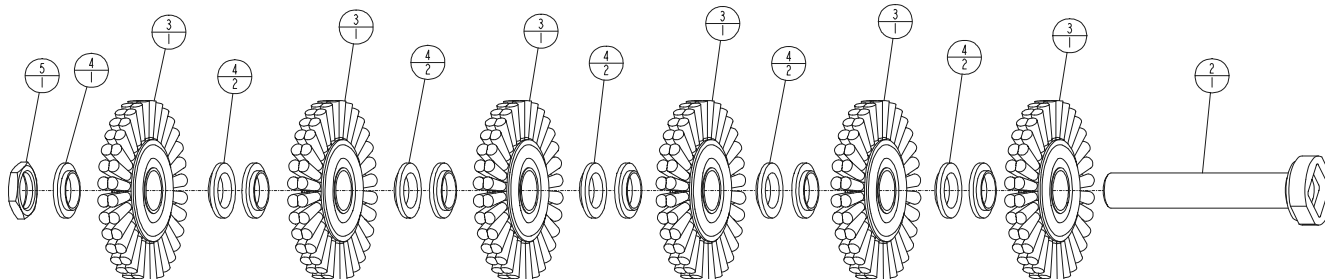
## Diagram 12 – Parts List – Drum Assembly, 3/4" Tungsten Cutters (19mm Wide)

ITEM	P/N	DESCRIPTION	QTY
1	178379	Tungsten Carbide Head Assy (19mm), 3/4 Shaft	1
2	173015	Drum Assembly, 1 Inch Shaft	1
3	173016	Cutters Shaft, 1 Inch Shaft	4
4	173017	Cutter Shaft Retaining Plate	1
5	173019	Lockwasher, External Tooth, M8	4
6	173018	Capscrew, Hex Hd M8 x 1.25 x 10mm (Full Thread)	4
7	020768	Washer, Flat .75 SAE	72
8	178125	CTC Cutter Wheel, 19mm	28

### Parts List Callout Designation:



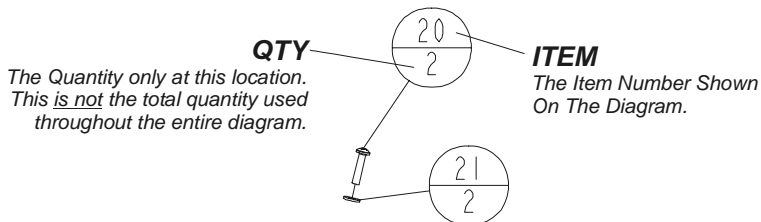
### Diagram 13 – Drum Assembly, Wire Brush



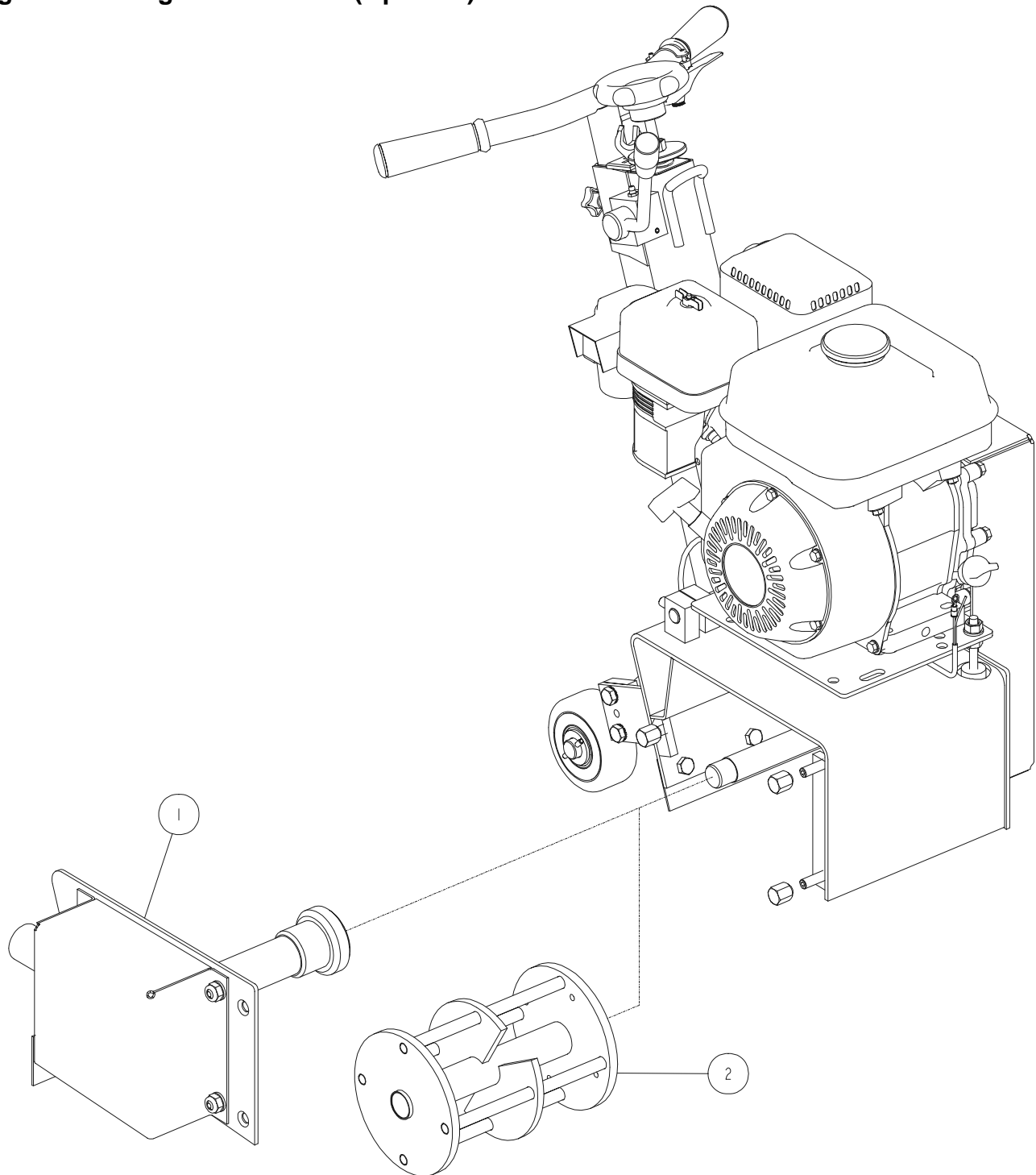
### Diagram 13 – Parts List – Drum Assembly, Wire Brush

ITEM	P/N	DESCRIPTION	QTY
1	173092	Wire Brush Head Assembly	1
2	173080	Shaft, Wire Brush	1
3	173084	Wire Brush	6
4	173081	Ring, Shoulder	11
5	173082	Nut, Hex Hd M36 x 4.00	1

### Parts List Callout Designation:



## Diagram 14 – Edger Attachment (Optional)



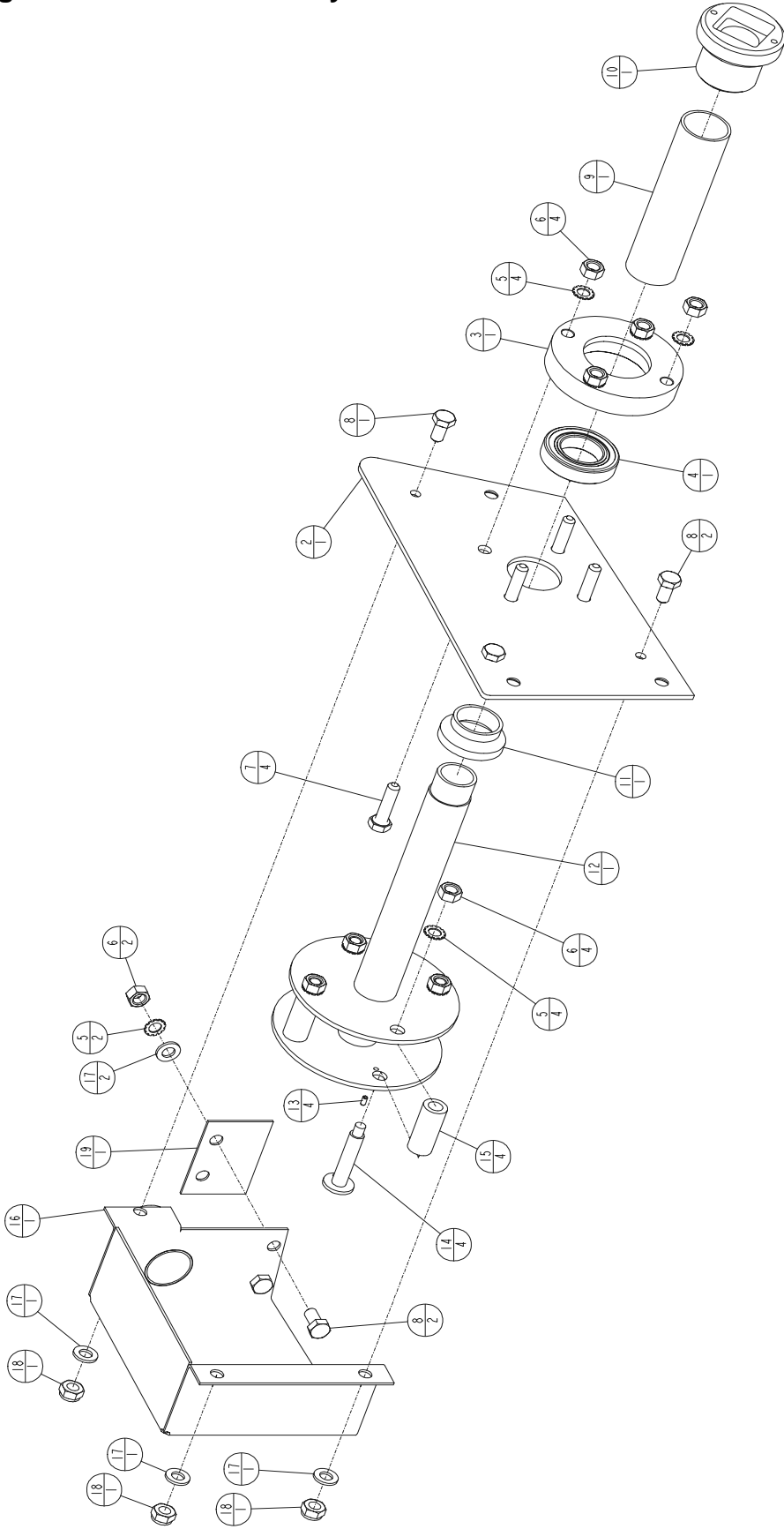
### Diagram 14 – Parts List – Edger Attachment

ITEM	P/N	DESCRIPTION	QTY
1	173065	Edger Attachment Assembly, 3/4" Shaft	1
2	-----	Head Assembly	1

#### **Edger Installation:**

- 1) Remove the Three Existing Nuts (Diagram 1, Item 30) that secure the Side Guard (Diagram 1, Item 29).
- 2) Remove the Side Guard (Diagram 1, Item 29) and then remove Item 2 (Existing Drum Assembly).
- 3) Make sure the cutters (See Diagram 15) are assembled to the Edger Attachment (Item 2), then slide it over the shaft on the machine. Be sure to align the square ends of the shafts on both the machine, and Item 1.
- 4) Install and Tighten the Three Existing Nuts (Diagram 1, Item 30) To Secure the Edger (Item 2) To The Machine.

Diagram 15 – Edger Attachment Assembly



## Diagram 15 Parts List – Edger Attachment Assy – P/N 173065 Complete Kit (Less Cutters)

ITEM	P/N	DESCRIPTION	QTY
1	173065	Edger Attachment Assembly, 3/4" Shaft	1 (Includes 2-19)
2	173067	Side Guard	1
3	173071	Bearing Adapter, Edger Attachment	1
4	173070	Bearing, Edger Attachment	1
5	173006	Lockwasher, External Tooth, M10	10
6	139750	Nut, Hex Hd M10 x 1.50	10
7	173072	Capscrew, Hex Hd M10 x 1.50 x 40mm	4
8	139744	Capscrew, Hex Hd M10 x 1.50 x 20mm	5
9	173073	Long Spacer, Edger Attachment	1
10	173074	Connector, Edger Attachment	1
11	173069	Short Spacer, Edger Attachment	1
12	173068	Grinding Shaft, Edger Attachment	1
13	173077	Pin, Roll 4mm Dia x 8mm	4
14	173076	Axle, Edger Attachment	4
15	173075	Bushing, Edger Attachment	4 (See Note 1)
16	173078	Edger Attachment Guard Weldment	1
17	173014	Washer, Flat M10	5
18	139748	Locknut, Fiber M10 x 1.50	3
19	173079	Splash Guard, Edger Attachment	1

### Recommended Cutter Quantities for One Complete Edger Attachment Assy: (Items Not Shown On Diagram 14, and are NOT included in P/N 173065 Kit)

#### 3/4" Shaft Models:

##### 3/4" I.D. Star Cutters:

ITEM	P/N	DESCRIPTION	QTY
--	173086	Star Cutter Wheel, 3/4" Shaft	40
--	173067	Washer, Flat, .75 SAE	44 (See Note 2)

##### 3/4" I.D. Beam Cutters:

ITEM	P/N	DESCRIPTION	QTY
--	173085	Beam Cutter Wheel, 3/4" Shaft	24
--	173067	Washer, Flat, .75 SAE	28 (See Note 2)

##### 3/4" I.D. Tungsten Carbide Cutters (6 mm Thick):

ITEM	P/N	DESCRIPTION	QTY
--	173087	Tungsten Carbide Cutter Wheel, 3/4" Shaft	20
--	173067	Washer, Flat, .75 SAE	24 (See Note 2)

#### 1/2" Shaft Models:

##### 1/2" I.D. Star Cutters:

ITEM	P/N	DESCRIPTION	QTY
--	177826	Star Cutter Wheel, 1/2" Shaft	40
--	020767	Washer, Flat, .63 SAE	44 (See Note 2)

##### 1/2" I.D. Beam Cutters:

ITEM	P/N	DESCRIPTION	QTY
--	177828	Beam Cutter Wheel, 1/2" Shaft	24
--	020767	Washer, Flat, .63 SAE	28 (See Note 2)

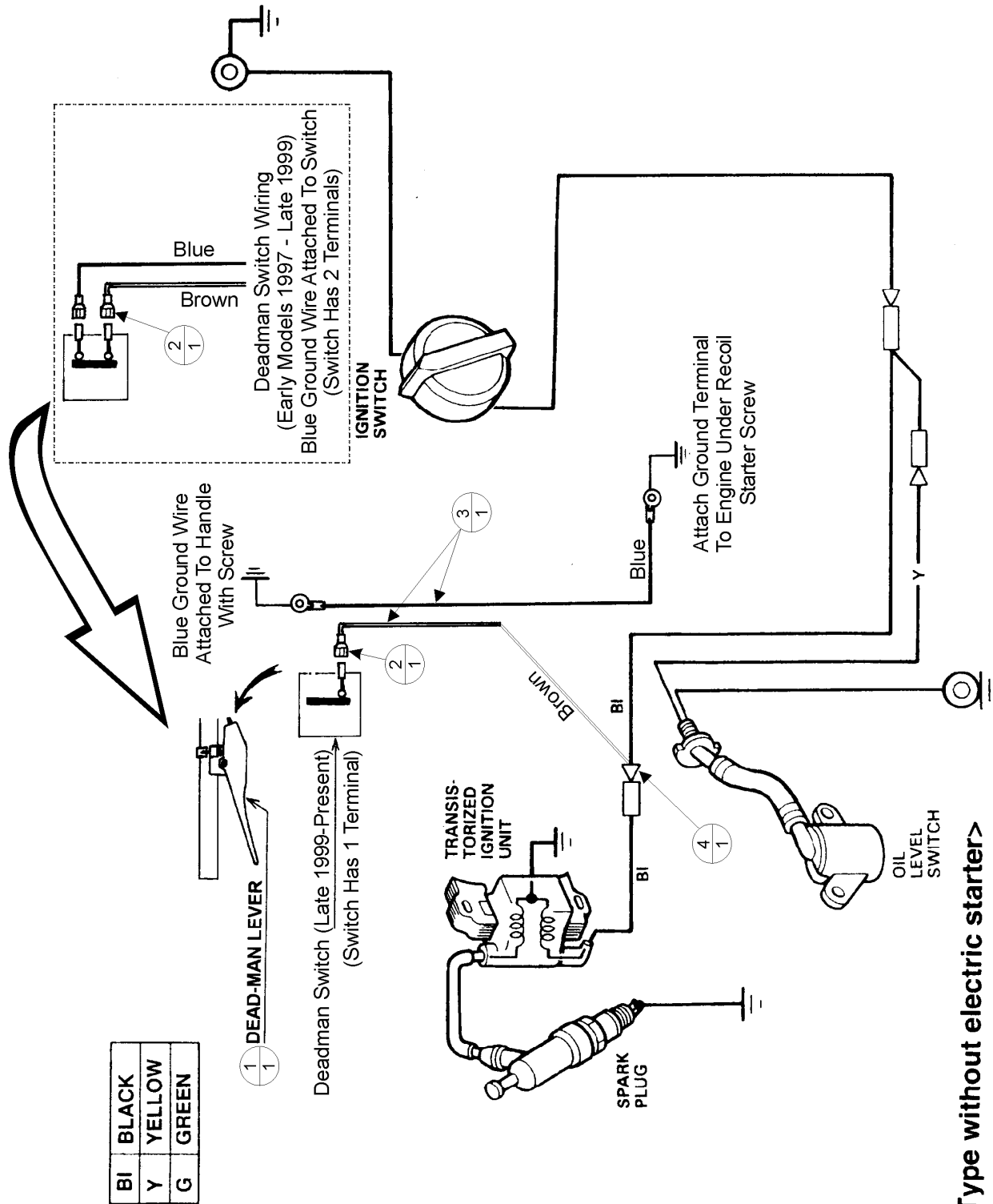
##### 1/2" I.D. Tungsten Carbide Cutters (6 mm Thick):

ITEM	P/N	DESCRIPTION	QTY
--	177830	Tungsten Carbide Cutter Wheel, 1/2" Shaft	20
--	020767	Washer, Flat, .63 SAE	24 (See Note 2)

Note 1: Item 15 Is Required Only When Using 3/4" I.D. Cutters. Remove Item 15 When Using 1/2" I.D. Cutters.

Note 2: Maximum Washer quantity is shown. Washer thickness varies, so a lesser quantity will probably be required.

# Diagram 16 – Wiring Diagram, 5.5 hp & 9 hp Honda Model



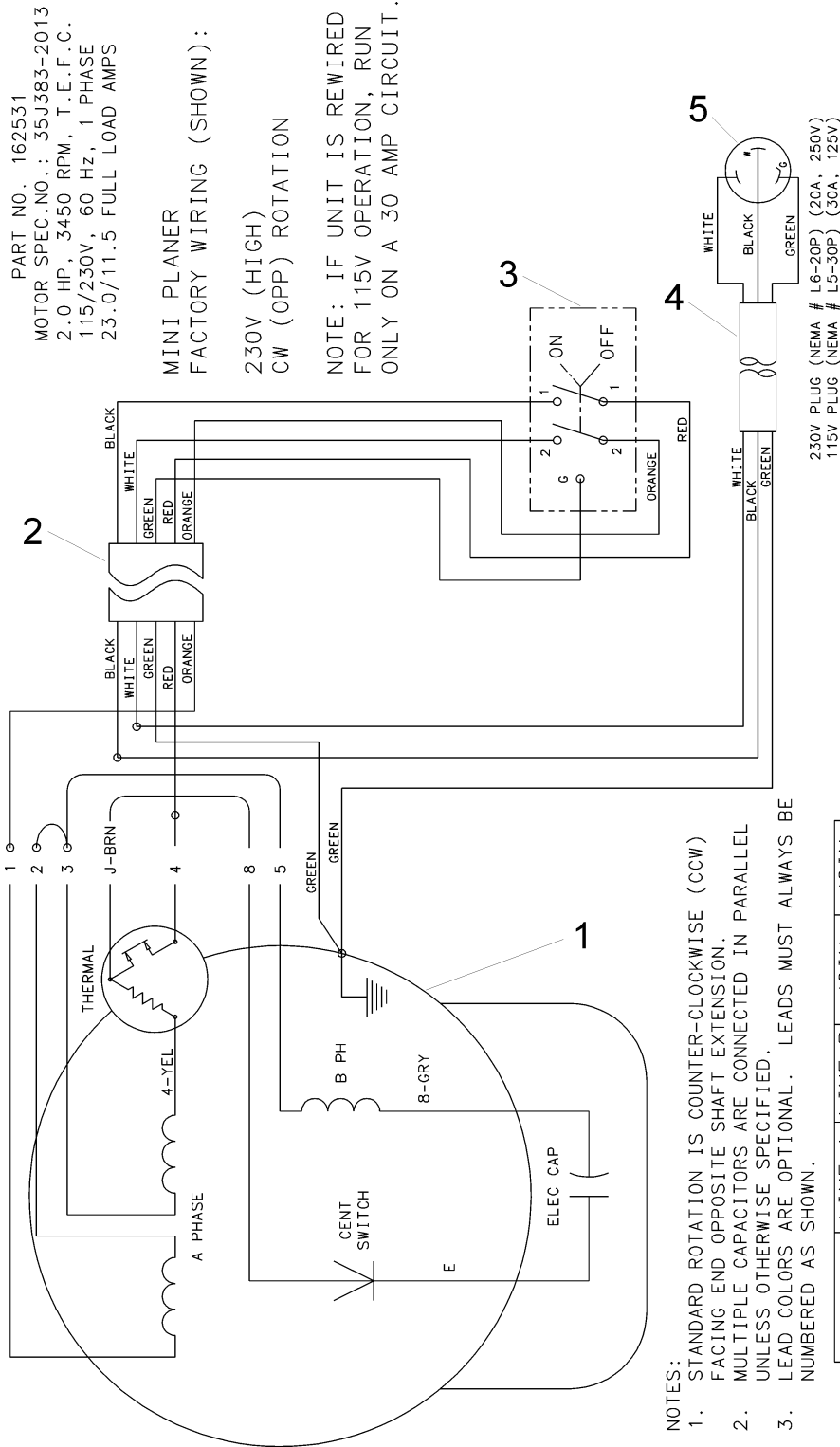
<Type without electric starter>  
 NOTE: Wiring diagrams may vary according to the types.

## Diagram 16 Parts List – Wiring Diagram, 5.5hp & 9 hp Honda Models

ITEM	P/N	DESCRIPTION	QTY
1	180797	Lever Assembly, Deadman, w/Switch	1
2	180801	Connector, Wire, Female	1 (or 2 - See Diagram)
3	180802	Cable, Deadman Lever	1
4	-----	Connector, Male Snap, .156 (Hy-Line SP227)	1

# Diagram 17 – Wiring Diagram, 2 hp Electric Model - Effective June 1, 2000

Rev 20June2003



## Diagram 17 Parts List – Wiring Diagram, 2 hp Electric Model - Effective June 1, 2000

ITEM	P/N	DESCRIPTION	QTY
1	180819	Motor, Modified	1
2	180809	Cable, 12-5 x 35" Long	1
3	161581	Switch, 30A, 250V	1
4	180808	Cable, 12-3 x 26" Long	1
5	169590	Plug, Twist Lock, NEMA L5-30P (For 230V Only)	1
-	41534	Plug, Twist Lock, NEMA L5-30P (For 115V Only)	1