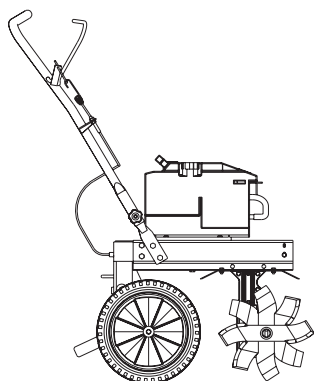
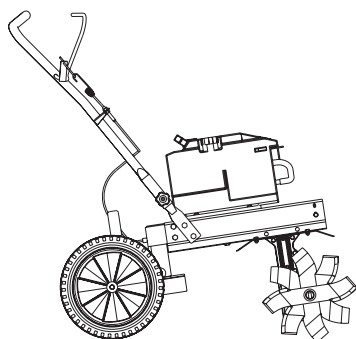


Earthquake[®]

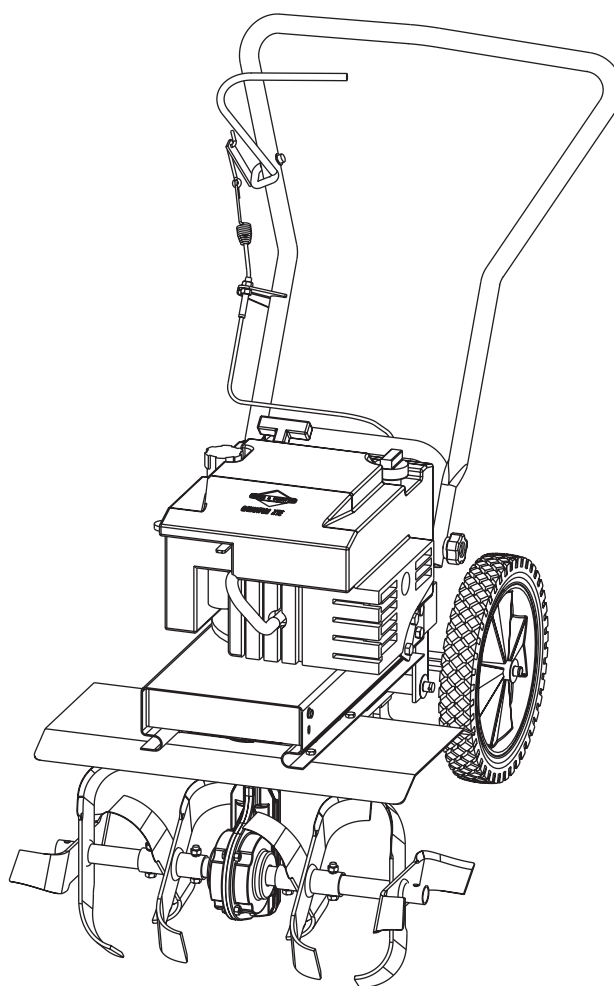
Front Tine Rototiller *Operator's Manual*



Transport Position



Operating Position

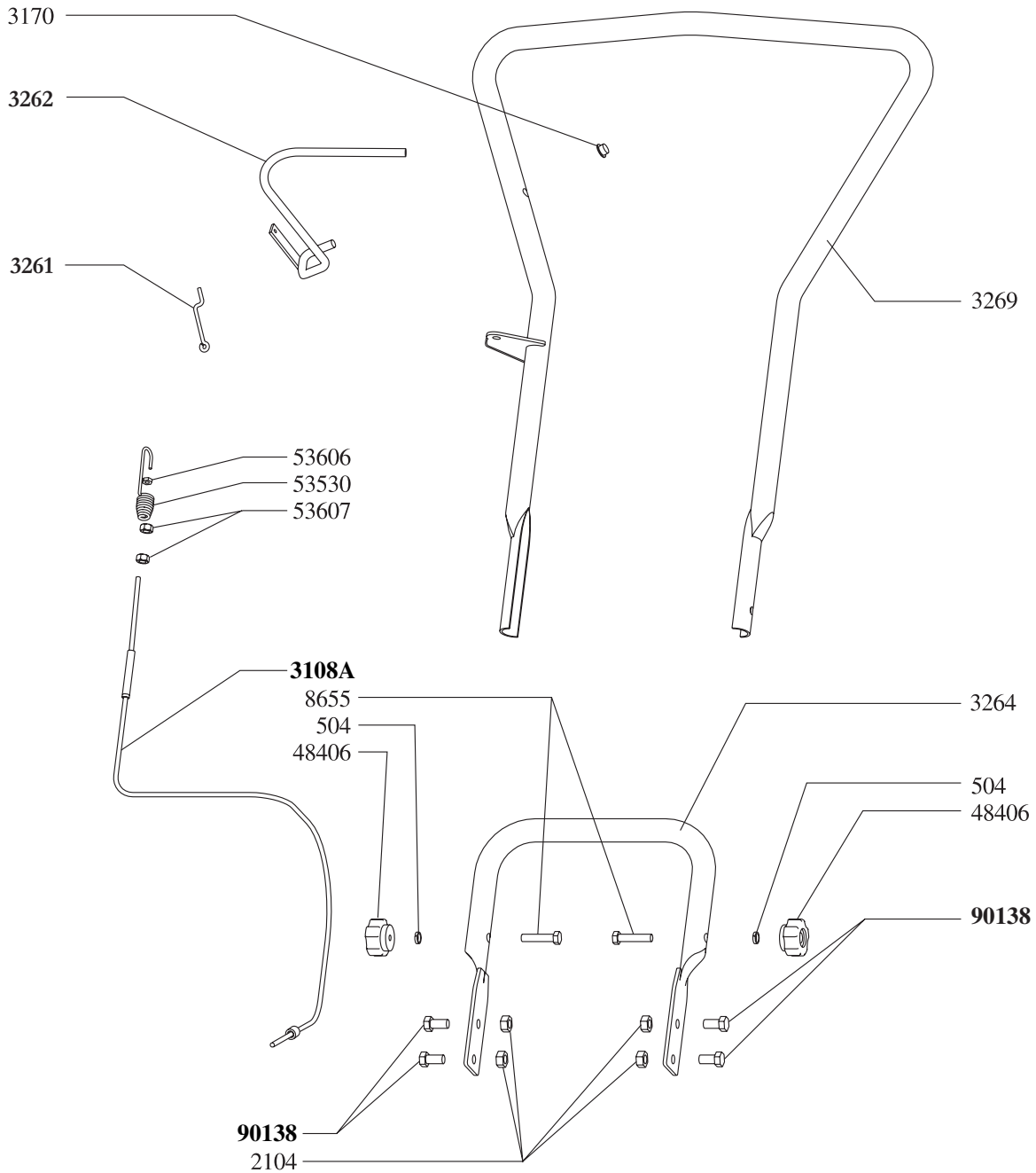


Includes Models
3100, 3200, 3365
Badger Series

OM3100
Rev. 01/28/04

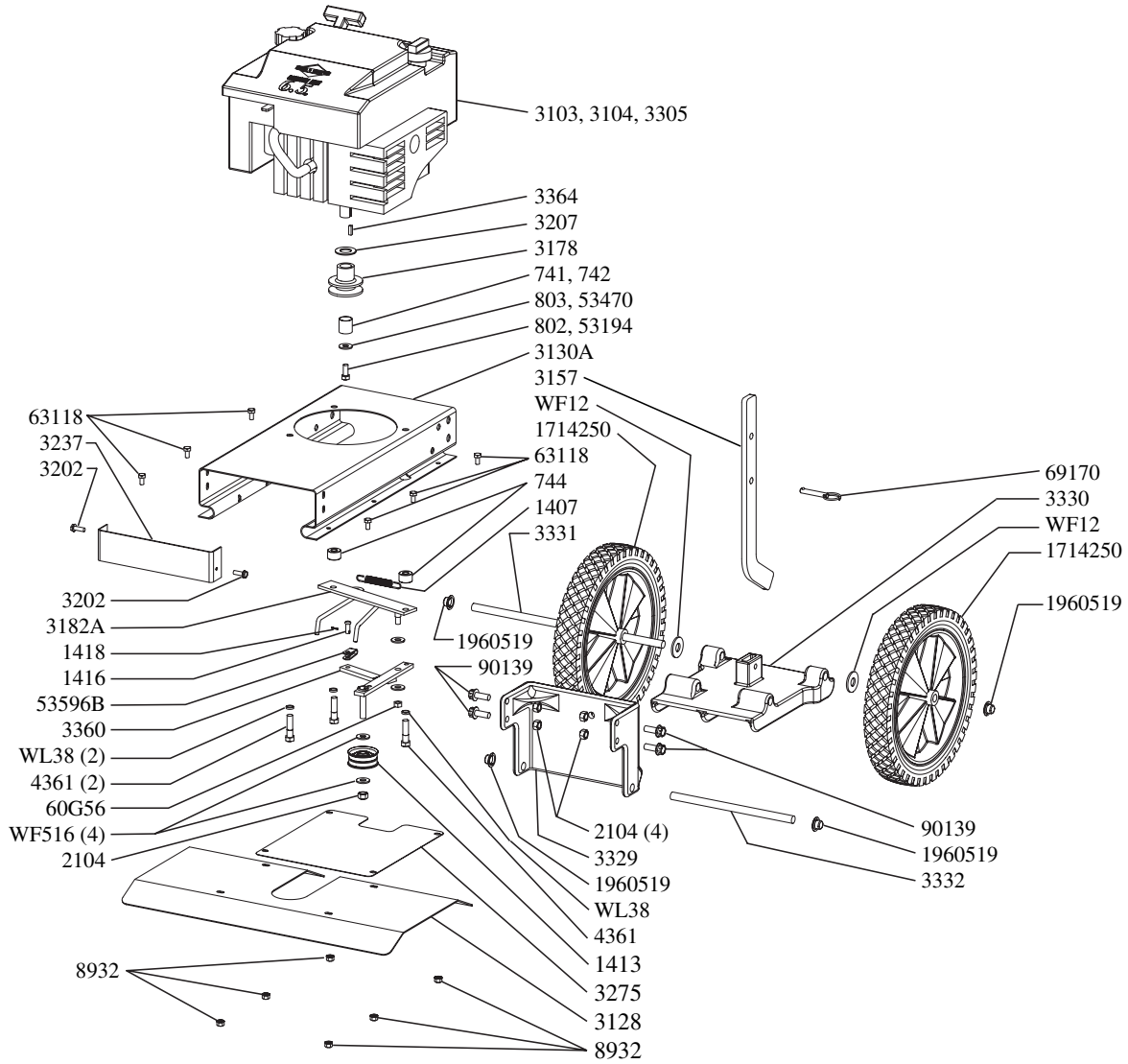
© Copyright 2004 Ardisam, Inc.
All Rights Reserved. Printed in USA.

3100/3200/3365 Handlebar Assembly



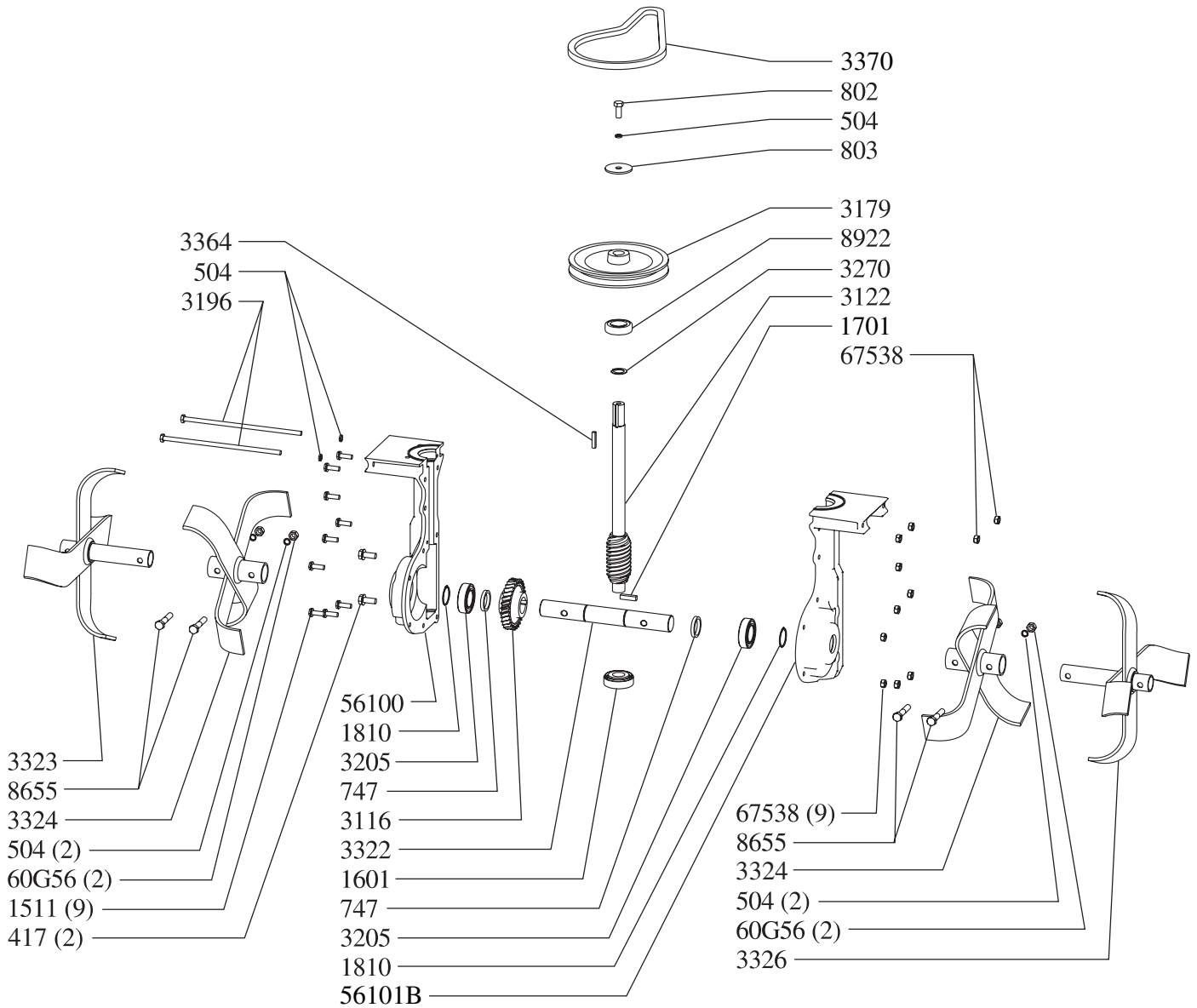
<u>PART #</u>	<u>DESCRIPTION</u>	<u>QTY.</u>
504	Lockwasher-Spring, 5/16"	2
2104	Nut-Hex, 3/8"-16	4
3108A	Cable Assembly, w/Ferrel	1
3170	Push Nut, 3/8" Dia.	1
3261	Front Tine Tension Spring Link	1
3262	Front Tine Drive Lever, Welded	1
3264	Bottom Handle	1
3269	Top Handle	1
8655	Bolt-Hex Hd, 5/16-18 x 1-3/4"	2
48406	Knob-Five Star Black, 5/16-18	2
53530	Spring-Bee Hive, Forward Cable Adjust	1
53606	Nut-Nyloc, #10	1
53607	Nut-Jam, 5/16"-24	2
90138	Bolt-Hex Hd, 3/8"-16 x 1", Grade 5	4

3100/3200/3365 Motor Mount & Hood Assembly



<u>PART #</u>	<u>DESCRIPTION</u>	<u>QTY.</u>	<u>PART #</u>	<u>DESCRIPTION</u>	<u>QTY.</u>
60G56	Nut-Biway Lock, 5/16-18	1	3275	Dirt Shield	1
741	Spacer, Crankshaft, Long, Briggs	1	3305	Engine, 6.5-hp Briggs (3365)	1
742	Spacer, Crankshaft, Short, Tec	1	3329	Tail Mount, Upper	1
744	Spacer	2	3330	Tail Mount, Lower	1
802	Screw-Hex Hd, 5/16-24 x 3/4", Briggs	1	3331	Wheel Shaft, 1/2"	1
803	Washer, 5/16" ID x 1-5/8" OD, Eng. Pulley	1	3332	Tail Mount Hinge Shaft, 1/2"	1
1407	Spring-Idler Arm	1	3360	Idler Arm-Forward	1
1413	Pulley-Forward Idler	1	3364	Key-Square, 3/16" x 5/8"	1
1416	Link Pin	1	4361	Bolt-Self Threading, 3/8-16 x 1-1/2"	3
1418	Cotter Pin	1	8932	Nut-Keps Toothed Washer, 1/4"	4
2104	Nut-Hex, 3/8-16 Two-Way	5	53194	Bolt-Hex, 3/8-24 x 1" Full Thrd., Tec	1
3103	Engine, 5.5-hp Tecumseh (3100)	1	53470	Washer, 3/8" ID x 1-5/8" OD, Tec	1
3104	Engine, 5.5-hp Briggs (3200)	1	53596B	Cable Yoke	1
3128	Shield-Tine	1	63118	Bolt-HHCS, 1/4-20 x 1/2"	4
3130A	Frame-Engine Mount	1	69170	Detent Pin, 5/16" x 2"	1
3157	Depth Regulator Lever	1	90139	Bolt-Serrated Flange, 3/8-16 x 1"	4
3178	Pulley-1 Groove, Engine, 3/4" ID	1	1714250	Wheel & Tire Assembly	2
3182A	Belt Guide & Mount	1	1960519	Push Nut, 1/2" Dia.	4
3202	Screw-Sheet Metal, 1/4" x 3/4"	2	WF12	Washer-Flat, 1/2"	2
3207	Spacer-Engine	1	WF516	Washer-Flat, 5/16"	4
3237	Front Belt Cover	1	WL38	Washer-Spring Lock, 3/8"	3

3100/3200/3365 Tine & 1" Shaft Assembly



<u>PART #</u>	<u>DESCRIPTION</u>	<u>QTY.</u>	<u>PART #</u>	<u>DESCRIPTION</u>	<u>QTY.</u>
60G56	Nut-Biway Lock, 5/16-18	4	3196	Bolt-Hx Hd, 1/4-20 x 7-1/2"	2
417	Bolt-Hx Hd, 5/16-18 x 1/2", Gr 5	2	3205	Bearing-Sealed, 1" ID	2
504	Lockwasher-Spring, 5/16"	7	3270	Snap Ring-Eaton 3/4"	1
747	Spacer, 1" ID x 1-1/4" OD x .19 Thick	2	3322	Tine Shaft 1"	1
802	Screw-Hex Hd, 5/16-24 x 3/4"	1	3323	Tine Set-Outside Right	1
803	Washer, 5/16" ID x 1-5/8" OD, Eng. Pulley	1	3324	Tine Set-Inside	2
1511	Bolt-Hex Flange Hd, 1/4-20 x 7/8"	9	3326	Tine Set-Outside Left	1
1601	Bearing-Tapered (Includes Cone & Race)	1	3364	Key, 3/16 x 1/2"	1
1701	Key-Half Moon, 1/4" x 1"	1	3370	Belt-Forward	1
1810	Snap Ring-External	2	8655	Bolt-Hex Hd, 5/16-18 x 1-3/4"	4
3116	Gear-Brass 1" ID	1	8922	Ball Bearing, R12	1
3122	Drive Shaft	1	56100	Casting-Right Side	1
3310TRAN	Transmission-Complete	1	56101B	Casting-Left Side	1
3179	Pulley-Single Groove, Transmission	1	67538	Nut-Nyloc, 1/4"	11