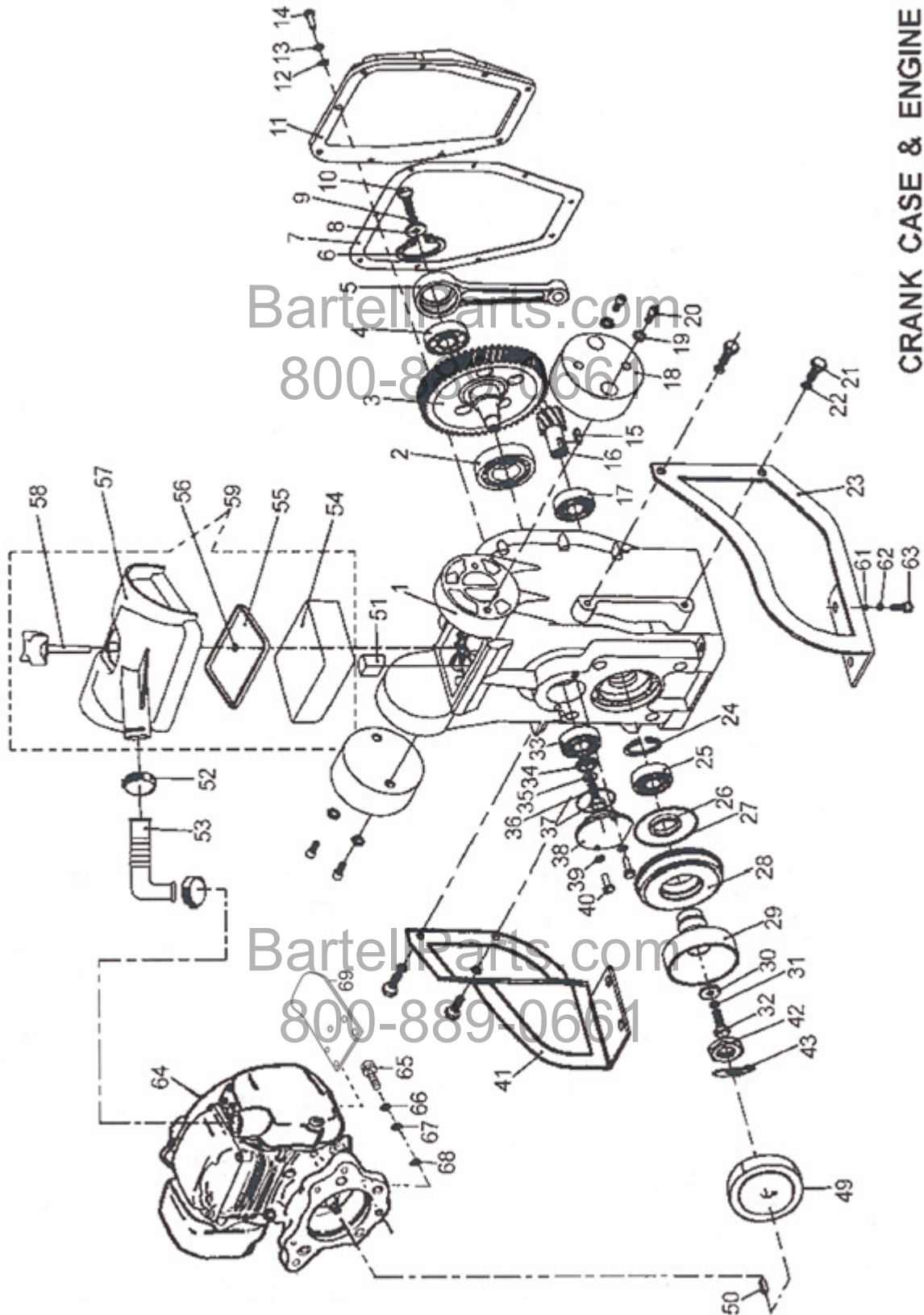


CRANK CASE AND ENGINE PICTURE



CRANK AND CASE ENGINE PARTS LIST

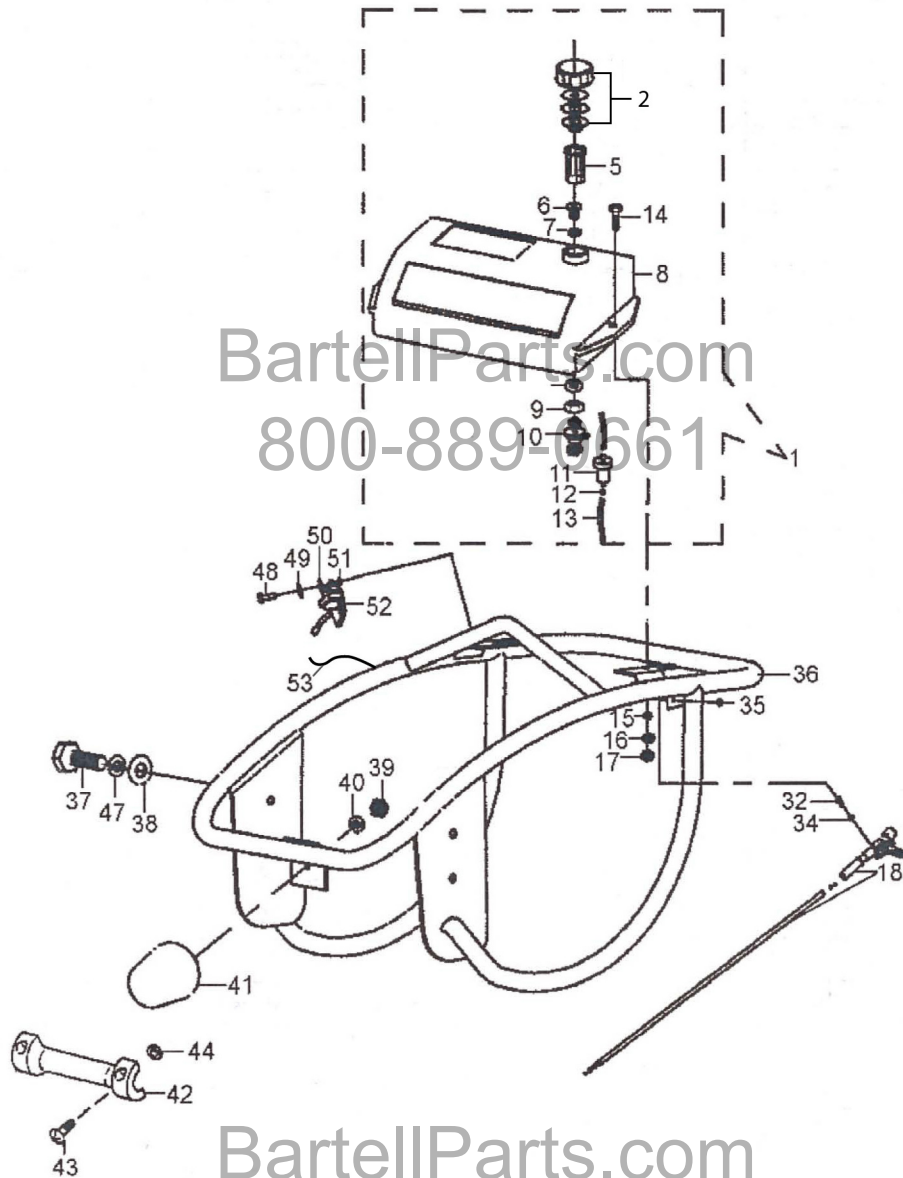
PARTS LIST – CRANK AND CASE ASSEMBLY

Item numbers in **GREY** are recommended spare parts.

Item	Part #	Description	QTY
1	31360	Crank Case	1
2	31438	Bearing 6207	1
3	31361	Crank Gear	1
4	31437	Bearing 6304	1
5	31362	Connecting Rod	1
6	31363	Retaining Ring	1
7	-	Gasket: Use RTV liquid gasket for replacement	1
8	31365	Retaining Ring	1
9	11614	Lock Washer, M8	1
10	11619	HHCS, M8-1.25x25mm	1
11	31366	Gear Cover	1
12	14447	Flat Washer, M6	9
13	14448	Lock Washer, M6	9
14	51058	HHCS, M6-1.0x20mm	9
15	31367	Key	1
16	31368	Gear Shaft	1
17	31369	Bearing 6204	1
18	31370	Vibration Damper	2
19	11621	Lock Washer, M10	4
20	14082	HHCS, M10-1.25x20mm	4
21	10999	HHCS, M8-1.25x20mm	4
22	11614	Lock Washer, M8 1.25x20mm	4
23	31371	Protection Frame, Right	1
24	31373	Retaining Ring, 35mm	1
25	31374	Bearing 60072	1
26	31375	Seal 40x52x8	1
27	31376	O-Ring 95x2.65	1
28	31377	Spacer	1
29	31378	Clutch Drum	1
30	31379	Retaining Ring	1
31	11614	Lock Washer, M8	1
32	11731	HHCS, M8-1.25x30mm	1
33	31369	Bearing 6204	1
34	31380	Retaining Ring	1

Item	Part #	Description	QTY
35	11614	Lock Washer, M8	1
36	31381	O-Ring 43.7x1.8	1
37	11619	HHCS, M8-1.25x25mm	1
38	31382	Bearing Cover	1
39	14448	Lock Washer, M6	2
40	51098	HHCS, M6-1.0x20mm	2
41	31372	Protection Frame, Left	1
42	31013	Hex Nut, M12-1.25	1
43	10993	Flat Washer 12	1
49	31383	Clutch Assembly	1
50	31384	Key 4 x 12	1
51	31385	Element	1
52	31386	Hose Clamp 25-38 (3.0hp)	2
53	31387	Intake Pipe	1
54	31388	Air Cleaner Element	1
55	31389	Packing, Air Cleaner	1
56	31390	O-Ring 7.5x1.8	1
57	31391	Air Cleaner Cover	1
58	31392	Knob	1
59	31393	Air Cleaner Assembly	1
61	11667	Flat Washer, M8	4
62	11618	Lock Washer, M8	4
63	11731	HHCA, M8-1-25-30mm	4
64	31439	Honda GX100 Engine	1
65	10452	HHCA, M8- 1-25x40mm	4
66	11618	Lock Washer, M8	4
67	11667	Flat Washer, M8	4
68	11615	Hex Nut, M8	4
69	31444	Protection Plate	1

TANK AND HANDLE DIAGRAM



BartellParts.com
800-889-0661

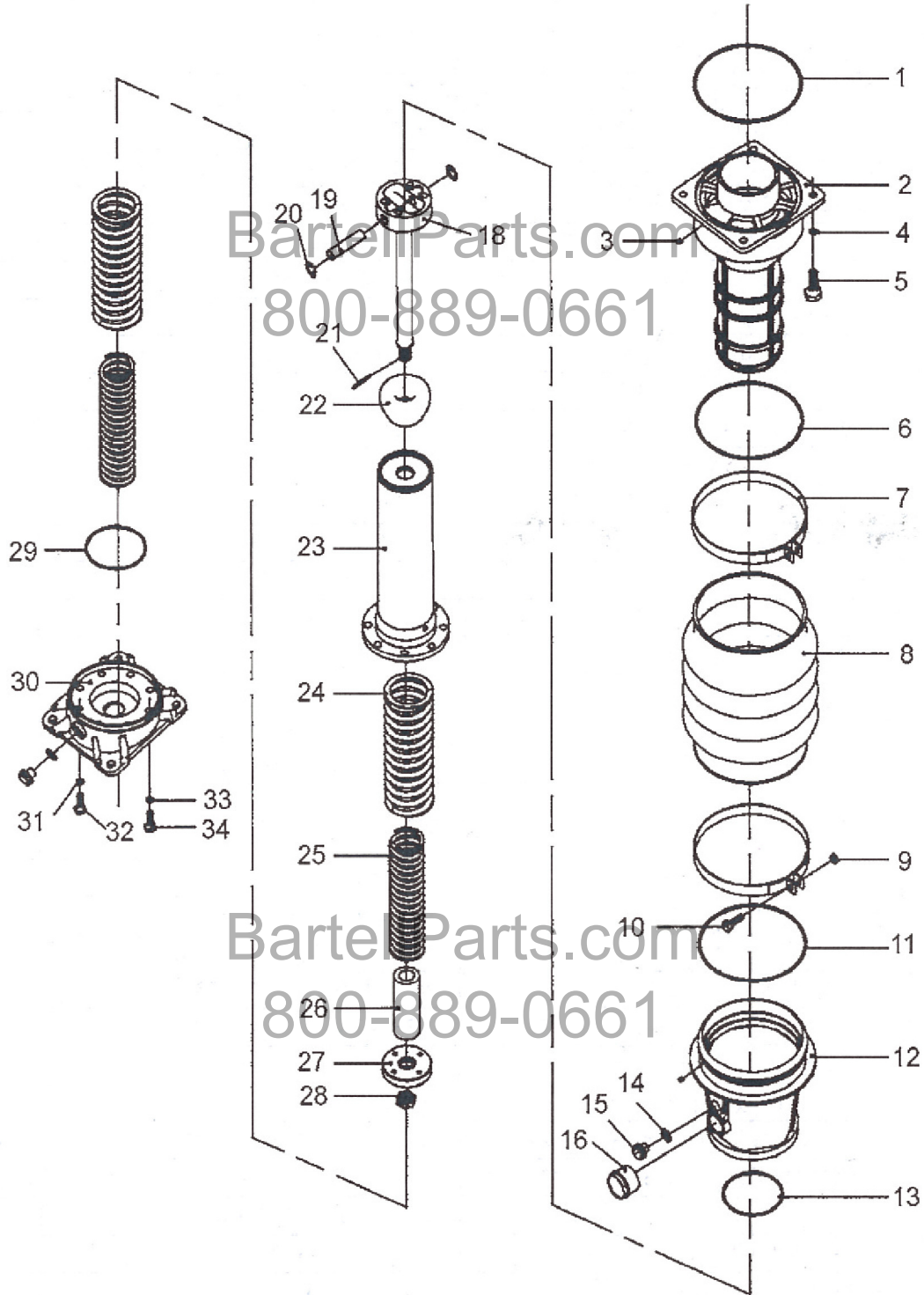
BartellParts.com
800-889-0661

TANK AND HANDLE PARTS LIST

Item numbers in **GREY** are recommended spare parts.

Item	Part No.	Description	QTY	Remarks
1	31394	Tank Assembly	1	
2	31498	Tank Cap Assembly	1	
5	31398	Oil Strainer	1	
6	31399	Connector	1	
7	31400	O-Ring 14x3.55	1	
8	31401	Tank	1	
9	10067	Hex Nut M14-1.5	1	
10	31402	Fuel Cock	1	
11	31403	Fuel Filter	1	
12	31404	Hose Clamp	2	
13	31405	Fuel Hose	2	
14	11731	HHCS, M8-1.25x30	2	
15	11667	Flat Washer, M8	2	
16	11618	Lock Washer, M8	2	
17	11615	Hex Nut, M8	2	
18	31406	Throttle Control Assembly	1	
32	10068	FHSCS, M6-1.0x16	2	
34	14448	Lock Washer, M6	2	
35	10069	Hex Nut, M6-1.0	2	
36	31407	Handle	1	
37	31008	HHCS, M10-1.5x20mm	4	
38	11621	Lock Washer, M10	4	
39	11615	Hex Nut, M8-1.25	1	
40	11618	Lock Washer, M8	1	
41	31408	Rubber	1	
42	31409	Roller	1	
43	10070	SHCS, M5-0.8x16mm	1	
44	30843	Lock Nut, M5-0.7	1	
47	14447	Flat Washer	1	
48	10074	Screw, M4-0.7x14mm, ZP	2	
49	10075	Lock Washer, M4	2	
50	10076	Flat Washer, M4	2	
51	11036	Hex Nut, M4-0.7	1	
52	50062	On-Off Switch	1	
53	31518	Switch Wire Extension	1	

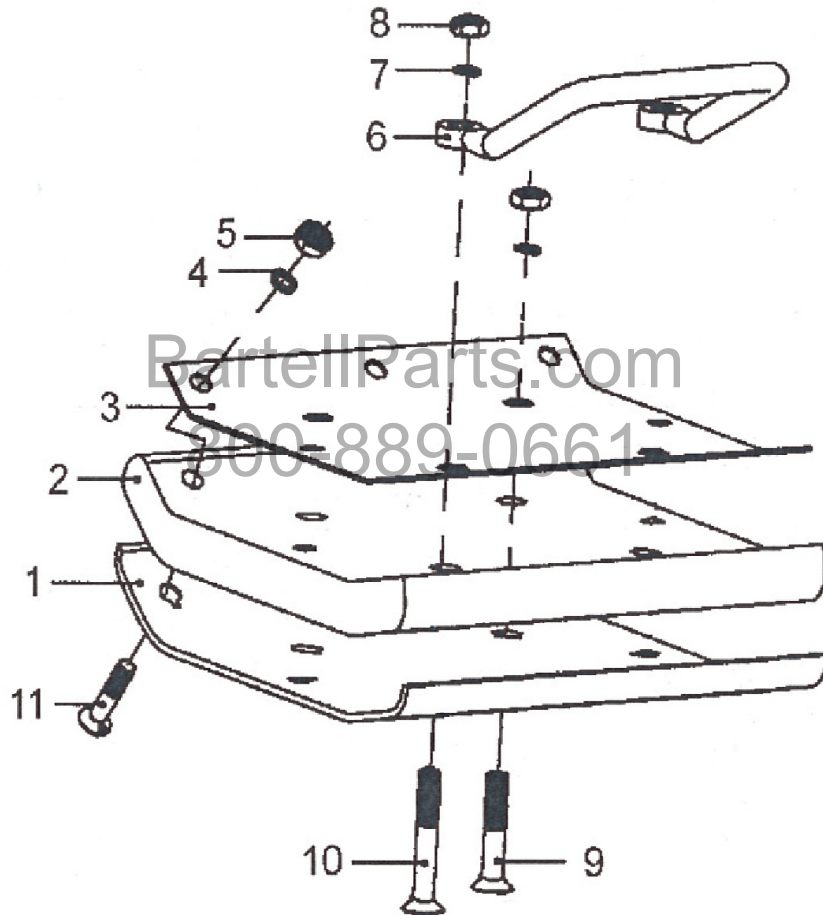
GUIDE CYLINDER AND SPRING ASSEMBLY DIAGRAM



GUIDE CYLINDER AND SPRING ASSEMBLY PARTS LIST

Item	Part No.	Description	QTY	Remarks
1	31411	O-Ring 160x5.3	1	
2	31412	Guide Cylinder	1	
3	31413	Pin 6x8	2	
4	11621	Lock Washer M10	4	
5	10077	HHCS, M8-1.25x40mm	4	
6	31414	O-Ring 160x3.55	4	
7	31415	Bellow Clamp	2	
8	31416	Bellow	1	
9	11615	Hex Nut, M8-1.25	2	
10	10452	HHCS, M8-1.25x40mm	2	
11	31414	O-Ring 160x3.55	1	
12	31418	Protection Sleeve	1	
13	31376	O-Ring 95x2.65	1	
14	31419	Copper Washer, M14	2	
15	31420	Plug M14x1.5	2	
16	31421	Level Gauge	1	
18	31422	Piston Rod	1	
19	31423	Piston Pin	1	
20	31424	Retaining Ring 1	2	
21	31440	Pin 3x32	1	
22	31425	Stopper, Upper	1	
23	31426	Spring Cylinder	1	
24	31427	Spring, Outer	2	
25	31428	Spring, Inner	2	
26	31429	Stopper, Lower	1	
27	31430	Piston End	1	
28	10071	Hex Nut M18-1.5	1	
29	31431	O-Ring 87,5x3.55	1	
30	31432	Foot Plate	1	
31	11621	Lock Washer 10	4	
32	10072	SHCS, M10-1.25x20mm	4	
33	11621	Lock Washer, M10	4	
34	10073	SHCS, M10-1.5x40mm	4	

FOOT ASSEMBLY DIAGRAM



FOOT ASSEMBLY PARTS LIST

Item	Part No.	Description	QTY	Remarks
1	31433	Tamping Plate	1	
2	31434	Tamping Foot	1	
3	31435	Foot Cover	1	
4	11621	Lock Washer, 10	7	
5	11802	Lock Nut, M10	7	
6	31436	Lifting Hook	1	
7	10735	Lock Washer 12	4	
8	10956	Lock Nut M12-1.75	4	
9	31441	Screw M12-1.75x65mm	2	
10	31442	Screw M12-1.75x75mm	2	
11	31443	Screw M10-1.5x50mm	7	