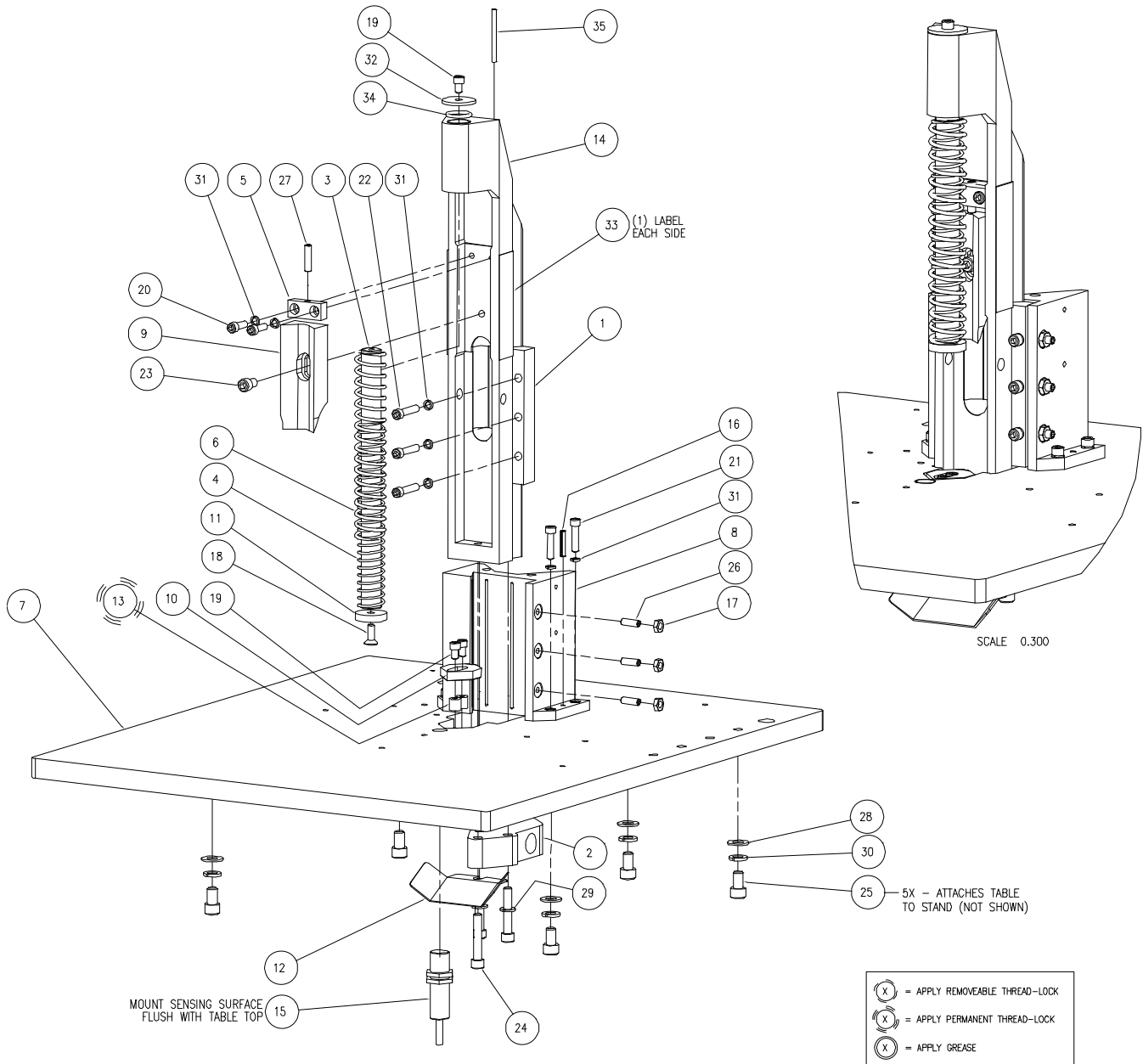


9.0 Appendix B—Parts List

9.1 Mechanical

9.1.1 A-8300-3 Main Assembly- Knife Head

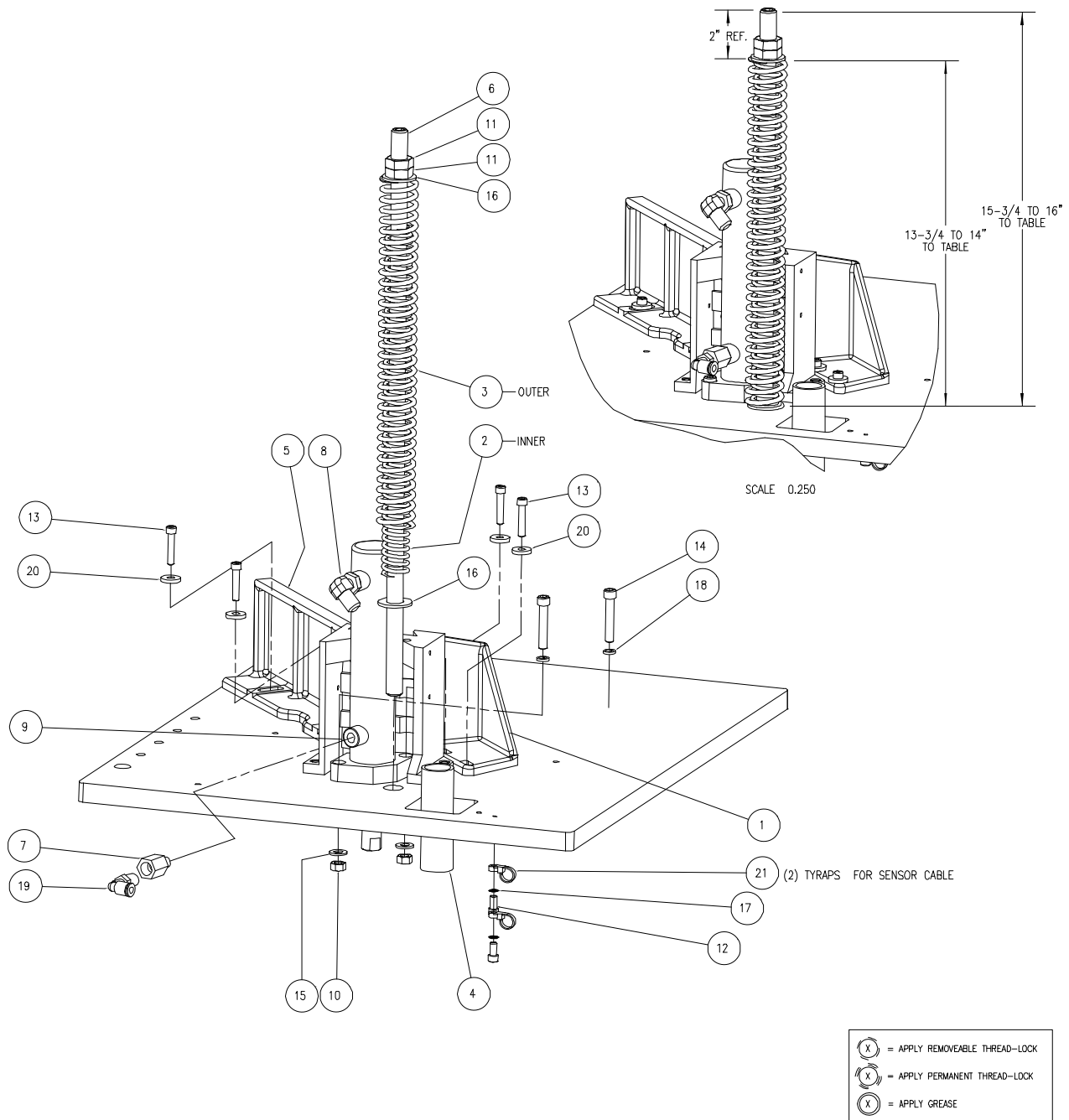


A-8300-3 Main Assembly- Knife Head Parts List

Item	Part No.	Description	Qty.
1	6707	GIB	1
2	6708	ARM- PUSH	1
3	6726	GUIDE- PRESSURE FOOT	1
4	6727	SPRING- CLAMP	1
5	6733	BLOCK- KNIFE BACKUP	1
6	83020	CLAMP SPRING- OUTER, LH WOUND	1
7	6705-2	SCM TABLE	1
8	6706-2	MOUNTING BRACKET- DOVETAIL	1
9	6721-6	KNIFE	1
10	6722-6	DIE SHOE	1
11	6724-2	PRESSURE FOOT, STRAIGHT DIAGONAL	1
12	6749-5	CHIP DEFLECTOR	1
13	83007-0407	THREADED INSERT	2
14	A-6736	BEARING AND KNIFE HOLDER ASM	1
15	EE-3295-2	MACHINE LOADED PROX. ASM.	1
16	H-21S-187-1000	ROLL PIN - 3/16 X 1	2
17	H-6424-4	NUT - 1/4-20 HEX JAM	3
18	H-6909-406	SCREW - 1/4-20 X 3/4" FLAT HEAD CAP	1
19	H-6918-403	SCREW - 1/4-20 X 3/8 SOCKET HEAD CAP	3
20	H-6918-406	SCREW - 1/4-20 X 3/4 SOCKET HEAD CAP	2
21	H-6918-408	SCREW - 1/4-20 X 1 SOCKET HEAD CAP	4
22	H-6918-410	SCREW - 1/4-20 X 1-1/4 SOCKET HEAD CAP	3
23	H-6918-505	SCREW - 5/16-18 X 5/8 SOCKET HEAD CAP	1
24	H-6918-514	SCREW - 5/16-18 X 1-3/4 SOCKET HEAD CAP	3
25	H-6918-605	SCREW - 3/8-16 X 5/8 SOCKET HEAD CAP	5
26	H-6938-412	SCREW - 1/4-20 X 3/4 CUP SOC SET	3
27	H-6938-416	SCREW - 1/4-20 X 1 CUP SOC SET	1
28	H-7321-6	WASHER - 3/8 SAE PLAIN	5
29	H-7327-10	WASHER - 5/16 MEDIUM LOCK	3
30	H-7327-12	WASHER - 3/8 MEDIUM LOCK	5
31	H-7329-4	WASHER - 1/4 HIGH COLLAR LOCK	9
32	S-982	WASHER	1
33	S-1781-198	LABEL- SHARP EDGE	2
34	S-1810-16	O-RING	1
35	SU-46-104	3/16 FELT WICKING	1

9.0 Appendix B—Parts List

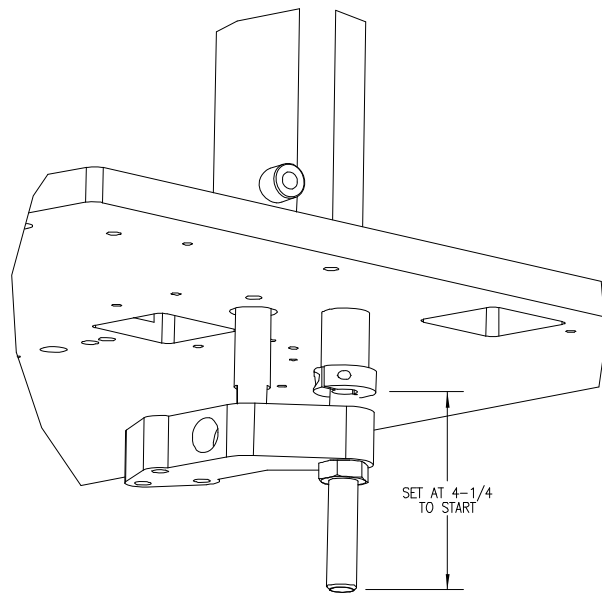
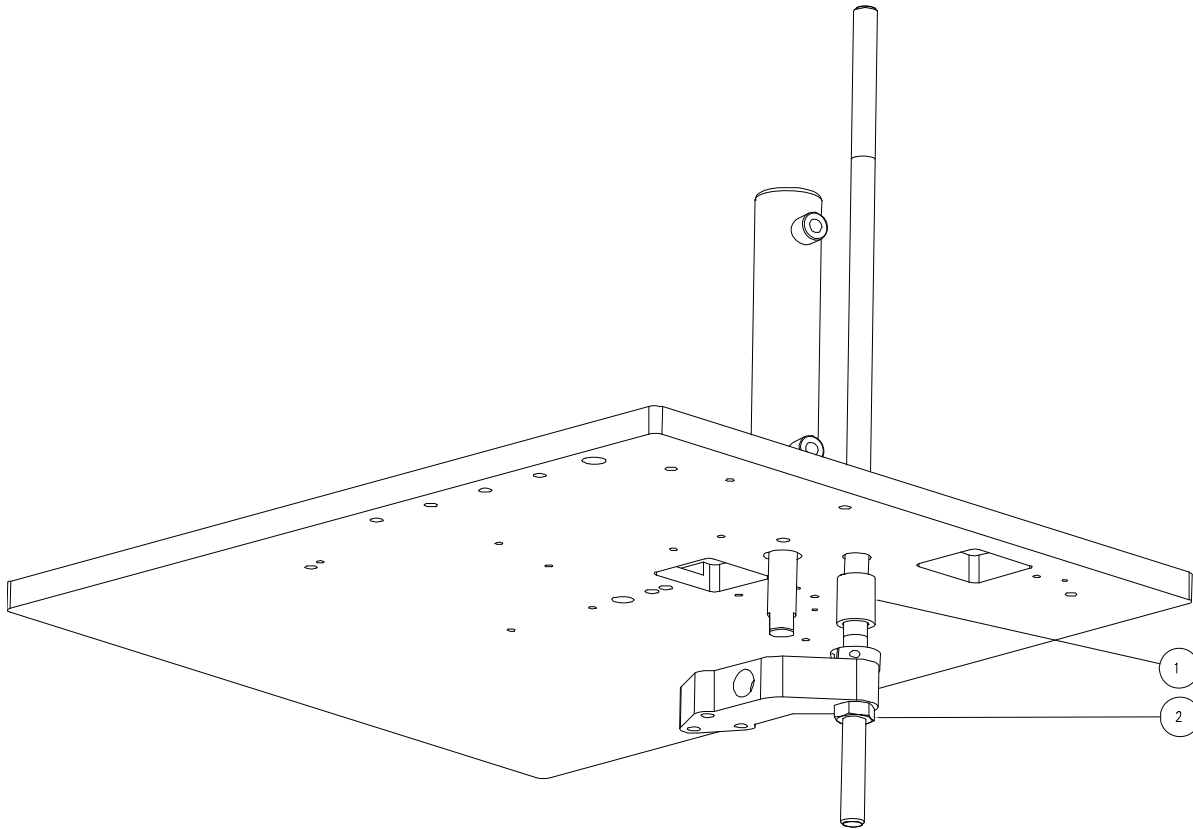
9.1.2 A-8300-3 Main Assembly- Knife Head (Rear)



A-8300-3 Main Assembly- Knife Head (Rear) Parts List

Item	Part No.	Description	Qty.
1	6716	GAGE- LH- DCM	1
2	6730	SPRING- INNER	1
3	6731	SPRING- RETURN (OUTER)	1
4	6775	TUBIING	1
5	8312	SIDE GUIDE- R.H.	1
6	A-6737	RETURN ROD ASM	1
7	H-233	ADAPTER - PIPE TO O-RING	1
8	H-230-10	ELBOW- ORING TO TUBE	1
9	H-344-1	CYLINDER ASM- SCM	1
10	H-6417-5	NUT - 5/16-18 HEX	2
11	H-6424-10	NUT - 5/8-11 HEX JAM	2
12	H-6918-404	SCREW - 1/4-20 X 1/2 SOCKET HEAD CAP	2
13	H-6918-410	SCREW - 1/4-20 X 1-1/4 SOCKET HEAD CAP	4
14	H-6918-514	SCREW - 5/16-18 X 1-3/4 SOCKET HEAD CAP	2
15	H-7321-5	WASHER - 5/16 SAE PLAIN	2
16	H-7321-10	WASHER - 5/8 SAE PLAIN	2
17	H-7324-#10	WASHER - #10 INT TOOTH	2
18	H-7329-5	WASHER - 5/16 HIGH COLLAR LOCK	2
19	P-503-402	ELBOW-1/4 TUBE X 1/4 NPT	1
20	S-1815	WASHER	4
21	S-1694-2	TYRAP - #10	2

9.1.3 A-8300-3 Main Assembly- Underside

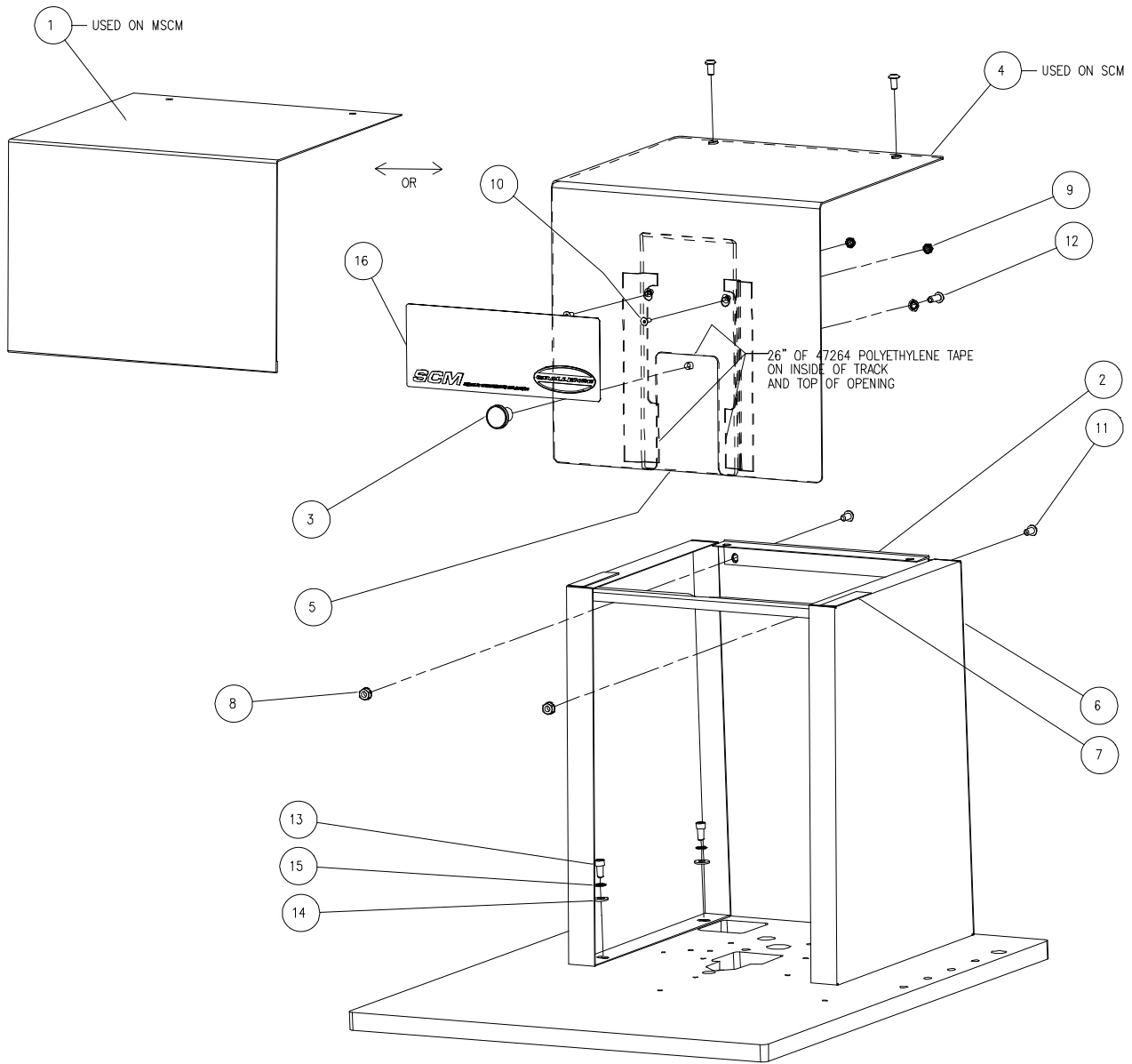


A-8300-3 Main Assembly- Underside Parts List

Item	Part No.	Description	Qty.
1	6743	SPACER	1
2	H-6424-10	NUT - 5/8-11 HEX JAM	1

9.0 Appendix B—Parts List

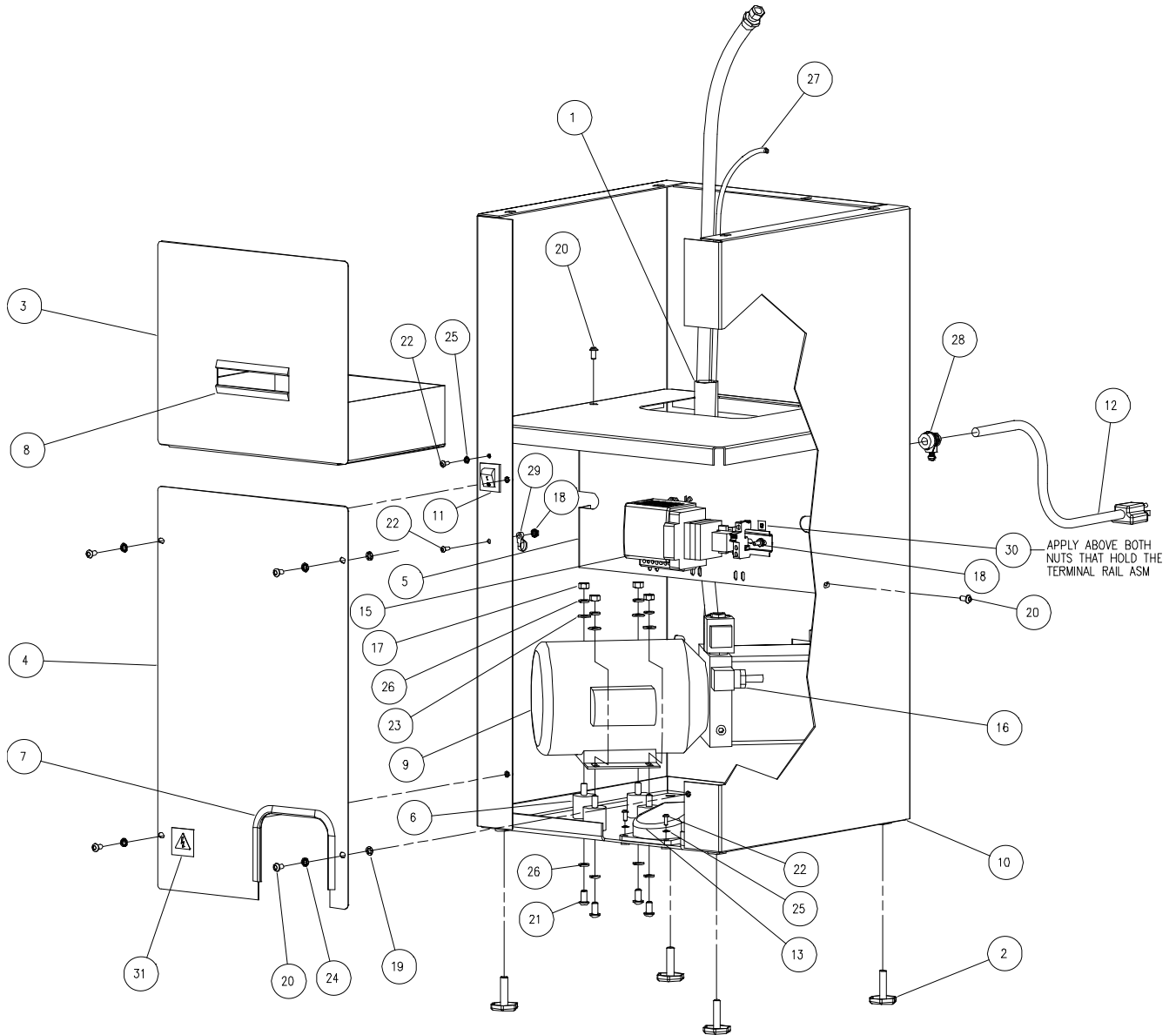
9.1.4 A-8300-3 Main Assembly- Hood



A-8300-3 Main Assembly- Hood Parts List

Item	Part No.	Description	Qty.
1	8306	TOP COVER- SCM	1
2	8307	HINGE	1
3	38029	KNOB	1
4	83023	TOP COVER ASSEMBLY	1
5	83024	SLIDING GAURD	1
6	A-8302	COVER ASSEMBLY	1
7	A-7545REP003	CORK STRIP	2
8	H-6423-4	NUT - 1/4-20 HEX KEP	4
9	H-6423-#8	NUT - #8-32 HEX KEP	2
10	H-6909-83204	SCREW - #8-32 X 1/2" FLAT HEAD CAP	2
11	H-6910-404	SCREW - 1/4-20 X 1/2 BUTTON HEAD CAP	4
12	H-6910-406	SCREW - 1/4-20 X 3/4 BUTTON HEAD CAP	1
13	H-6918-404	SCREW - 1/4-20 X 1/2 SOCKET HEAD CAP	4
14	H-7321-4	WASHER - 1/4 SAE PLAIN	4
15	H-7324-8	WASHER - 1/4 INT TOOTH	5
16	S-1781-119	LABEL- FRONT PANEL	1

9.1.5 A-8300-3 Main Assembly- Base

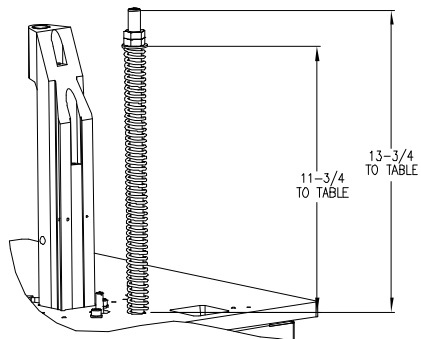
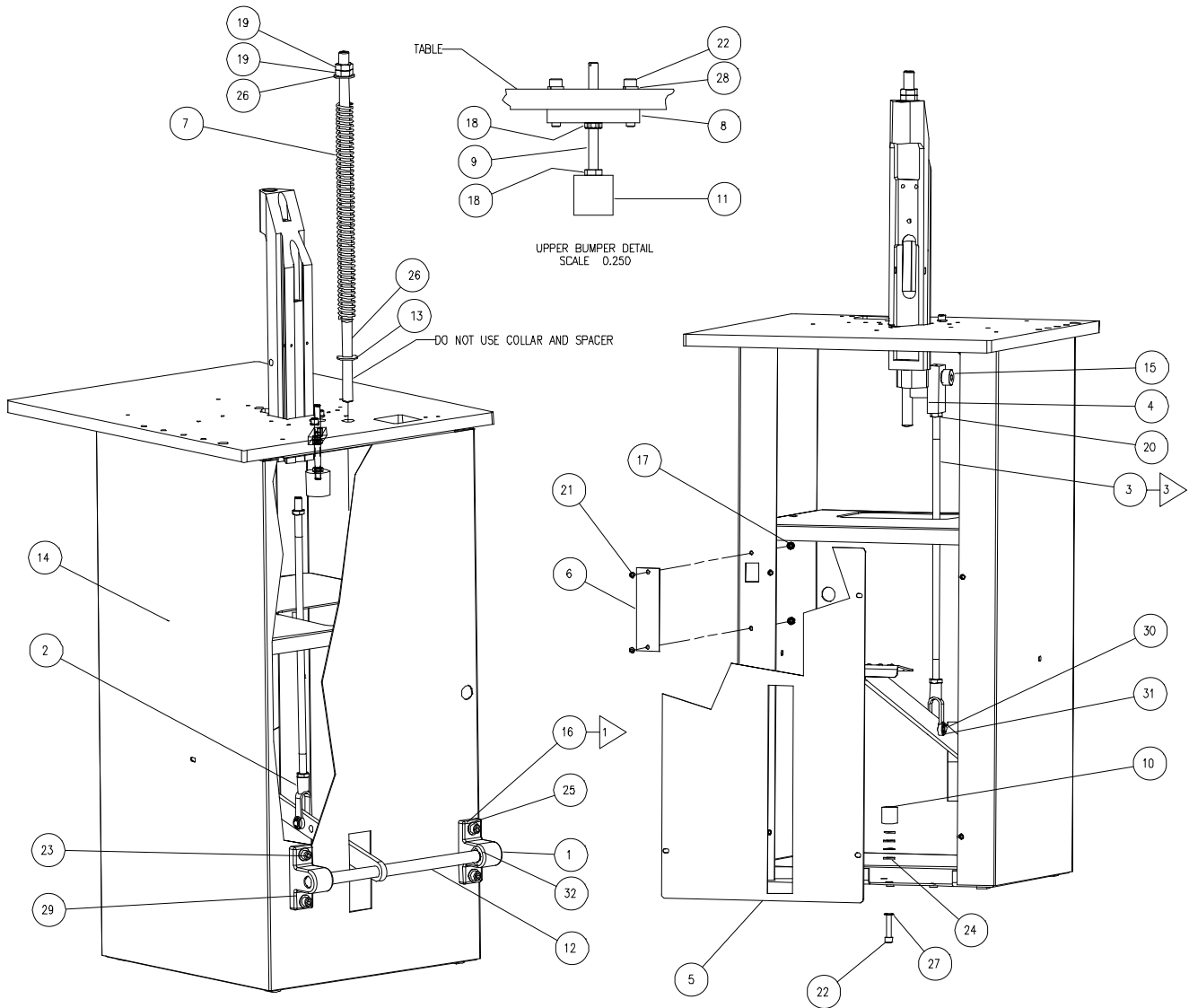


A-8300-3 Main Assembly- Base Parts List

Item	Part No.	Description	Qty.
1	6775	TUBING	1
2	16543	LEVELER- BASE	4
3	83010	DRAWER ASSEMBLY	1
4	83015	FRONT COVER- POWER- SCM	1
5	83025	ELECTRICAL MOUNTING BRACKET	1
6	40016-8	MOUNT - VIBRATION	4
7	7032-M	TRIM - 12" LONG	1
8	7032-M	TRIM - 5" LONG	2
9	83001-1	HYD. POWER UNIT ASM., 24VDC COIL	1
10	A-4656-6	SCM STAND WELDMENT	1
11	E-1140-20	ROCKER SWITCH LIGHTED	1
12	EE-3045	CABLE ASM- POWER CORD	1
13	EE-875-6	FOOT SWITCH ASSEMBLY	REF
14	EE-3049	CABLE ASM- HYDRAULIC MOTOR	1
15	EE-3358-1	TERMINAL RAIL ASM.	1
16	EE-2769-16	CABLE ASM- SOLENOID PLUG	REF
17	H-6417-5	NUT - 5/16-18 HEX	4
18	H-6423-#10	NUT - #10-24 HEX KEP	4
19	H-6463-8	NUT - PUSH-ON SCREW RETAINER	4
20	H-6910-404	SCREW - 1/4-20 X 1/2 BUTTON HEAD CAP	8
21	H-6910-505	SCREW - 5/16-18 X 5/8 BUTTON HEAD CAP	4
22	H-6910-102404	SCREW - #10-24 X 1/2 BUTTON HEAD CAP	4
23	H-7321-5	WASHER - 5/16 SAE PLAIN	4
24	H-7324-8	WASHER - 1/4 INT TOOTH	4
25	H-7324-#10	WASHER - #10 INT TOOTH	3
26	H-7327-10	WASHER - 5/16 MEDIUM LOCK	8
27	P-303	TUBING- 1/4" VINYL - 39"	1
28	S-1350-16	STRAIN RELIEF BUSHING	1
29	S-1694-2	TYRAP - #10	1
30	S-1781-42	LABEL - GROUND	2
31	S-1781-50	LABEL - ELECTRIC SHOCK	1

9.0 Appendix B—Parts List

A-8300-3 Main Assembly- MSCM, S/N's 142608M & Below



NOTES:

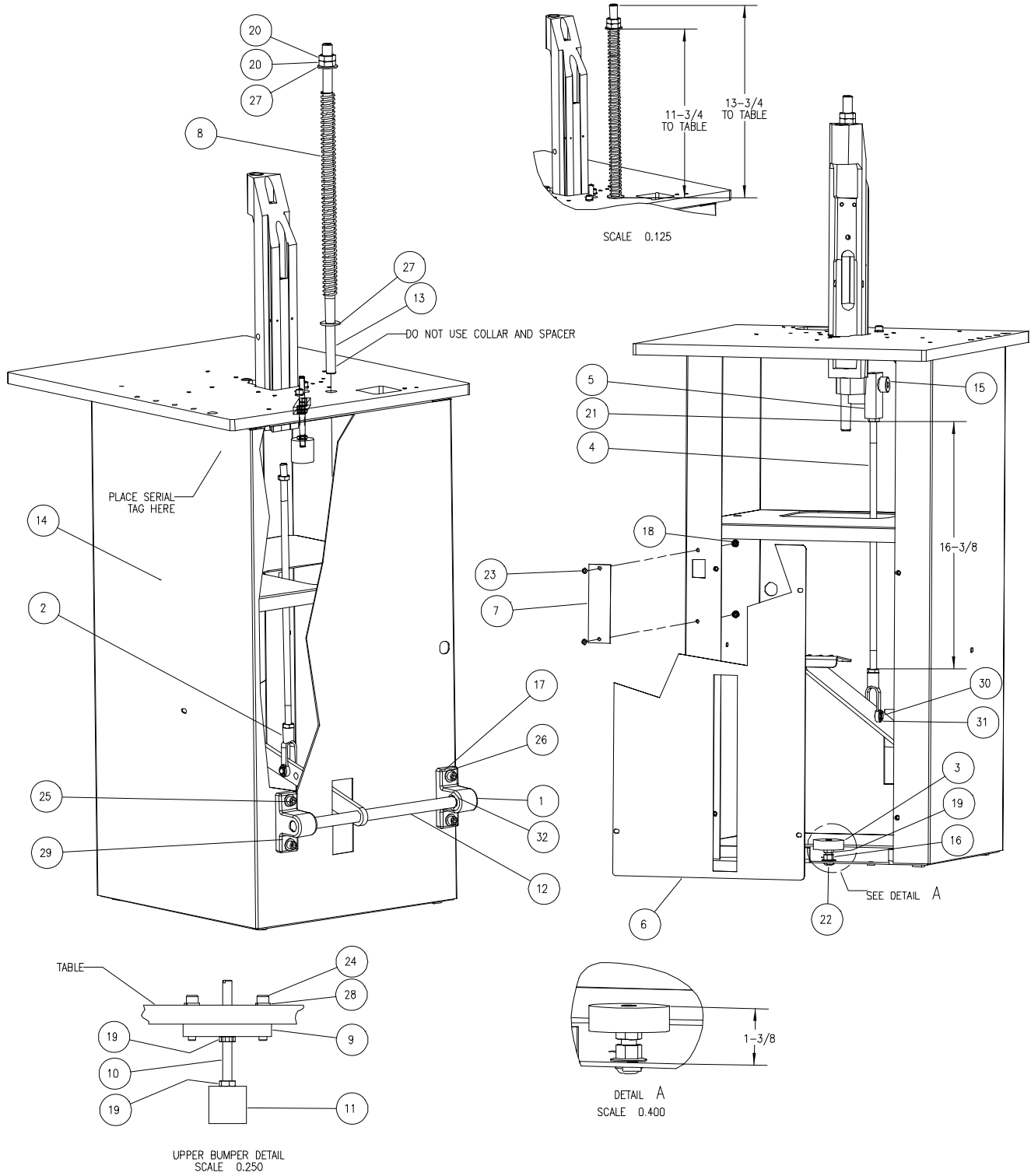
- 1 NUTS, FLAT WASHERS, LOCK WASHERS ARE INSIDE BASE
- 2 THIS SHEET CONTAINS PARTS FOUND EXCLUSIVELY IN THE MSCM (MANUAL SCM). FOR PARTS COMMON TO BOTH THE SCM AND MSCM, SEE PREVIOUS SHEETS.
- 3 PULL-DOWN ROD $16\text{--}3/8$ DIM. BETWEEN NUTS (INSIDE)
- 4 PRESSURE FOOT TO BE SET AT $2\text{--}1/16$ " USING 40016-4

A-8300-3 Main Assembly- MSCM Parts List

Item	Part No.	Description	Qty.
1	4668	TREADLE BRACKET	2
2	4669	CLEVIS	1
3	83002	ROD- PULL DOWN	1
4	83003	CLEVIS- MSCM	1
5	83004	FRONT COVER- MANUAL- MSCM	1
6	83009	COVER- SWITCH HOLE	1
7	83016	SPRING- MANUAL OPTION	1
8	83018	STOP ADJUSTMENT BLOCK	1
9	83019	THREADED ROD	1
10	40016-3	MOUNT- VIBRATION	1
11	40016-4	MOUNT- VIBRATION	1
12	A-4672	TREADLE ASSEMBLY	1
13	A-6737	RETURN ROD ASM	1
14	A-4656-6	SCM STAND WELDMENT	1
15	H-5254-1212	SCREW - 3/4 X 1-1/2 SHSS	1
16	H-6417-6	NUT - 3/8-16 HEX	4
17	H-6423-#10	NUT - #10-24 HEX KEP	2
18	H-6424-6	NUT - 3/8-16 HEX JAM	2
19	H-6424-10	NUT - 5/8-11 HEX JAM	2
20	H-6428-7	NUT - 7/16-20 HEX JAM	2
21	H-6910-102403	SCREW - #10-24 X 3/8 BUTTON HEAD CAP	2
22	H-6918-512	SCREW - 5/16-18 X 1-1/2 SOCKET HEAD CAP	3
23	H-6918-612	SCREW - 3/8-16 X 1-1/2 SOCKET HEAD CAP	4
24	H-7321-5	WASHER - 5/16 SAE PLAIN	4
25	H-7321-6	WASHER - 3/8 SAE PLAIN	8
26	H-7321-10	WASHER - 5/8 SAE PLAIN	2
27	H-7324-10	WASHER - 5/16 INT TOOTH	1
28	H-7327-10	WASHER - 5/16 MEDIUM LOCK	2
29	H-7327-12	WASHER - 3/8 MEDIUM LOCK	4
30	S-1482	STRAIGHT PIN- DOUBLE END	1
31	S-1193-43	E-RING - 7/16"	2
32	S-1193-75	E-RING - 3/4"	2

9.0 Appendix B—Parts List

9.1.6 A-8300-3 Main Assembly- MSCM, S/N's 142609M & Up

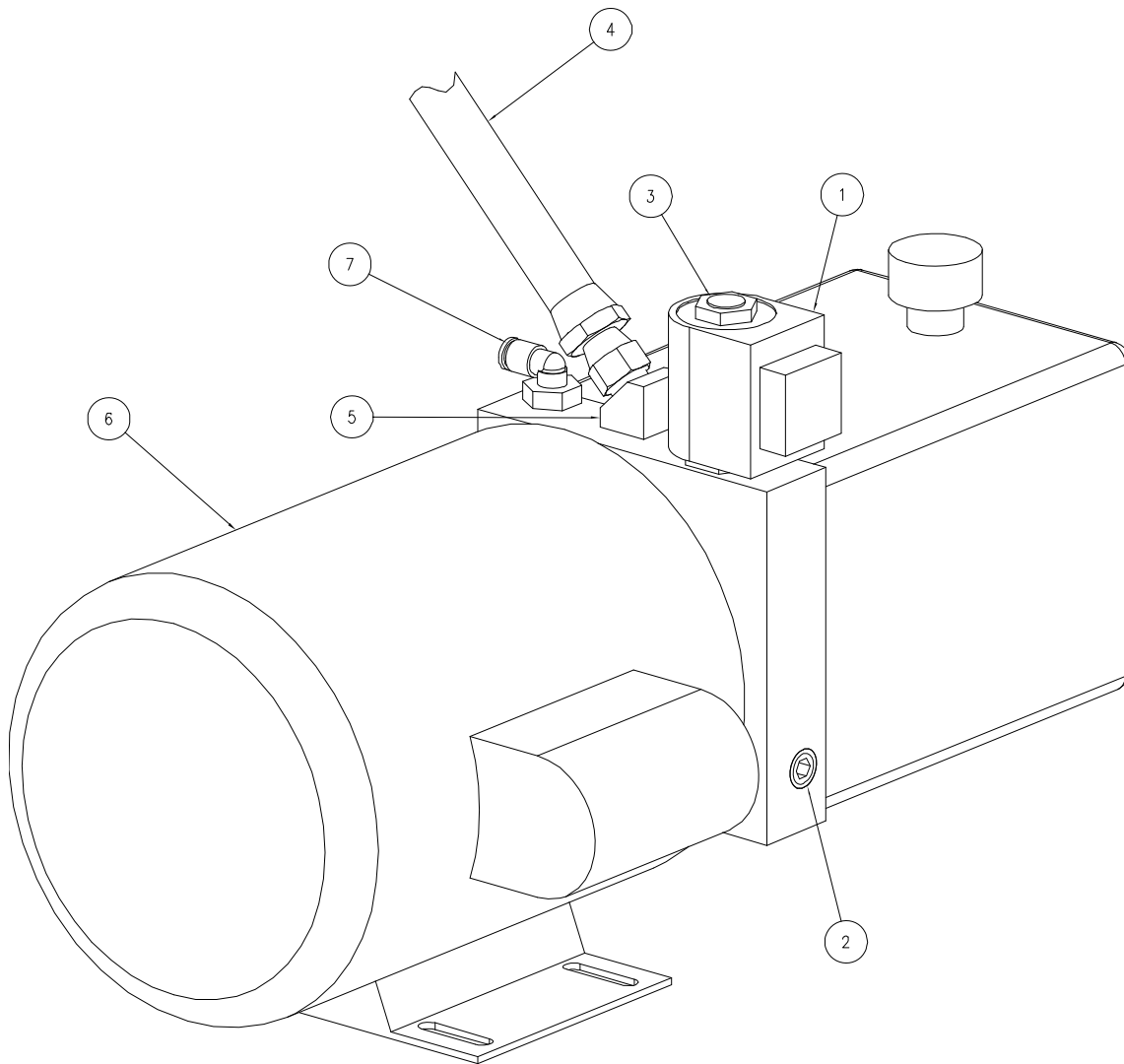


A-8300-3 Main Assembly- MSCM Parts List

Item	Part No.	Description	Qty.
1	1	4668 TREADLE BRACKET	2
2		4669 CLEVIS	1
3		47122 CAP	1
4		83002 ROD- PULL DOWN	1
5		83003 CLEVIS- MSCM	1
6		83004 FRONT COVER- MANUAL- MSCM	1
7		83009 COVER- SWITCH HOLE	1
8		83016 SPRING- MANUAL OPTION	1
9		83018 STOP ADJUSTMENT BLOCK	1
10		83019 THREADED ROD	1
11		40016-4 MOUNT- VIBRATION	1
12		A-4672 TREADLE ASSEMBLY	1
13		A-6737 RETURN ROD ASM	1
14		A-4656-6 SCM STAND WELDMENT	1
15		H-5254-1212 SCREW - 3/4 X 1-1/2 SHSS	1
16		H-6414-6 NUT - 3/8-16 WHIZ LOCK	1
17		H-6417-6 NUT - 3/8-16 HEX	4
18		H-6423-#10 NUT - #10-24 HEX KEP	2
19		H-6424-6 NUT - 3/8-16 HEX JAM	3
20		H-6424-10 NUT - 5/8-11 HEX JAM	2
21		H-6428-7 NUT - 7/16-20 HEX JAM	2
22		H-6910-610 SCREW - 3/8-16 X 1-1/4 BUTTON HEAD CAP	1
23		H-6910-102403 SCREW - #10-24 X 3/8 BUTTON HEAD CAP	2
24		H-6918-512 SCREW - 5/16-18 X 1-1/2 SOCKET HEAD CAP	2
25		H-6918-612 SCREW - 3/8-16 X 1-1/2 SOCKET HEAD CAP	4
26		H-7321-6 WASHER - 3/8 SAE PLAIN	8
27		H-7321-10 WASHER - 5/8 SAE PLAIN	2
28		H-7327-10 WASHER - 5/16 MEDIUM LOCK	2
29		H-7327-12 WASHER - 3/8 MEDIUM LOCK	4
30		S-1482 STRAIGHT PIN- DOUBLE END	1
31		S-1193-43 E-RING - 7/16"	2
32		S-1193-75 E-RING - 3/4"	2

9.0 Appendix B—Parts List

9.1.7 83001-1 Hydraulic Power Unit Assembly- SCM, Rev. A

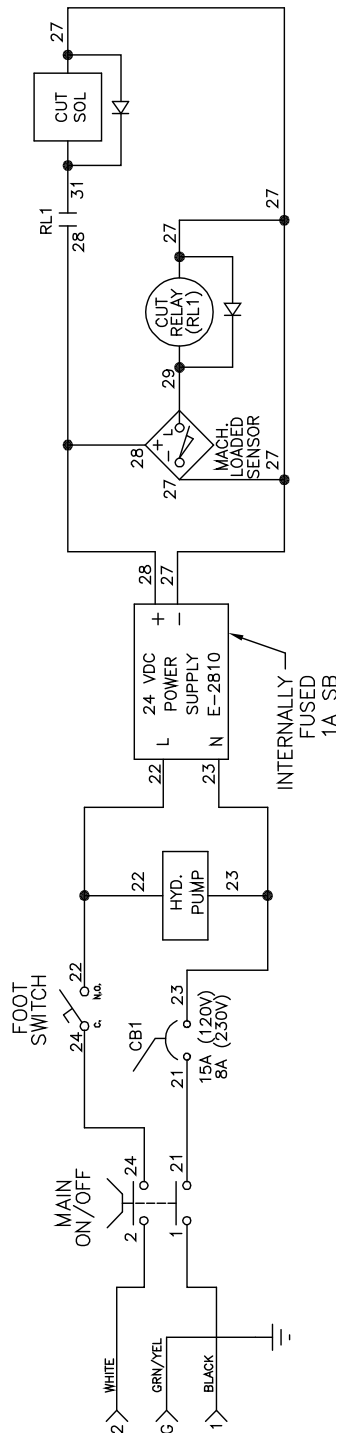


Item	Part No.	Description	Qty.
1	E-1069-19	24 VDC COIL	1
2	H-270	PLUG- NPT	1
3	H-200-5	SOLENOID VALVE	1
4	H-242-10	HOSE ASSEMBLY- HYDRAULIC	1
5	H-254-5	ELBOW- NPT TO TUBE	1
6	H-372-5	HYDRAULIC POWER UNIT	1
7	P-503-403	ELBOW-1/4 TUBE X 3/8 NPT	1
8	H-532	PUMP COUPLING (NOT SHOWN)	REF.

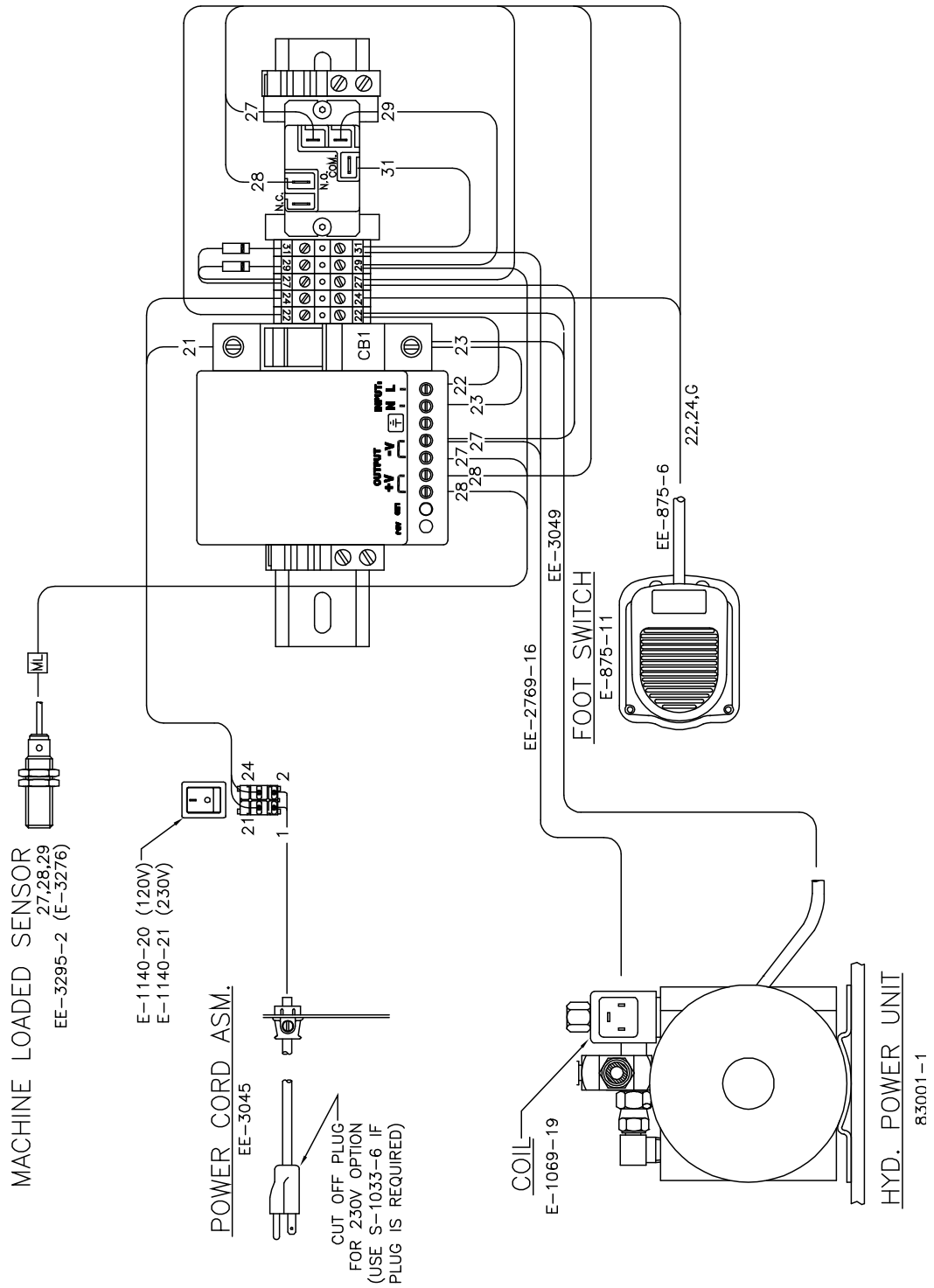
NOTES

9.2 Electrical

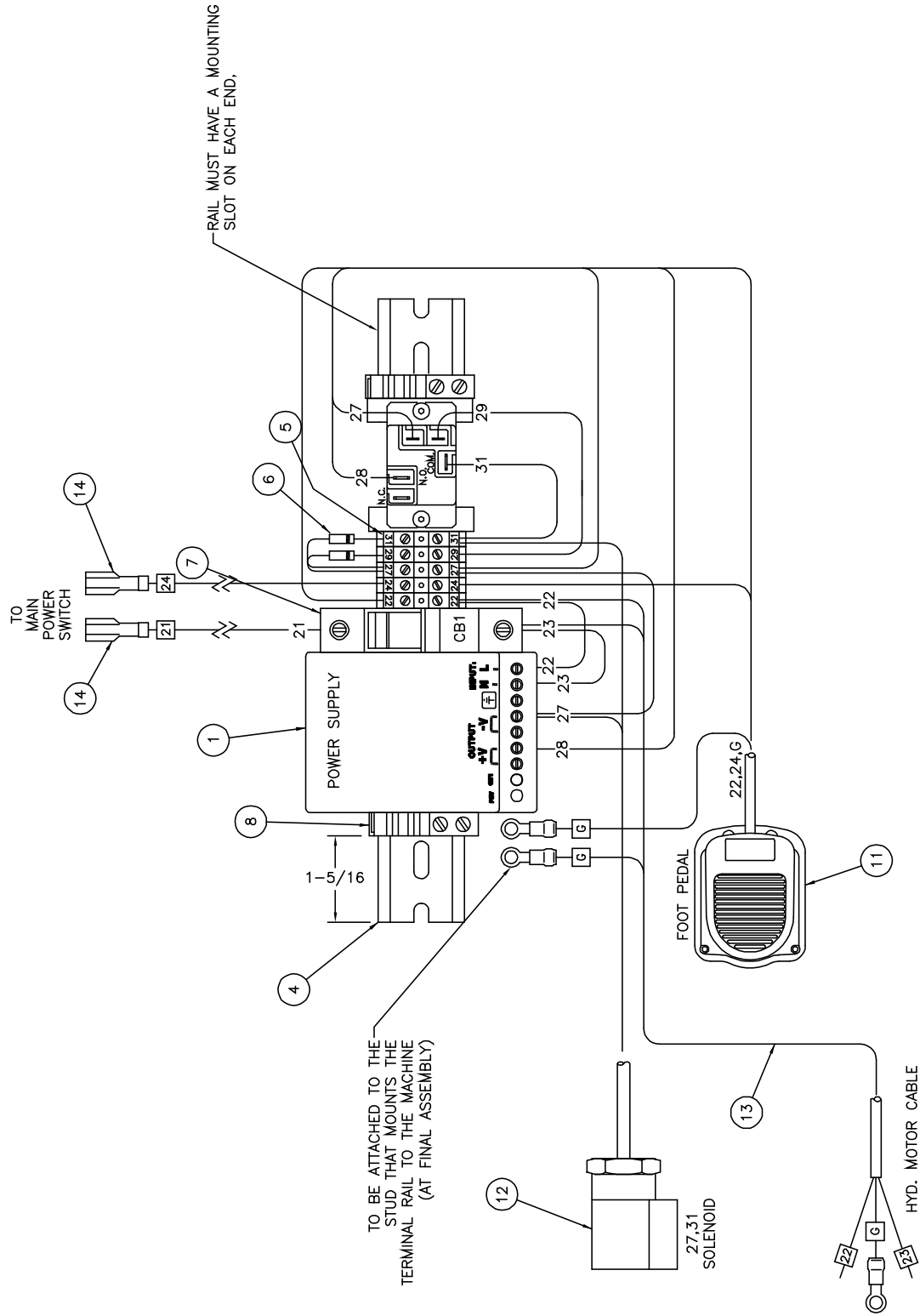
9.2.1 E-3356-1 Basic Machine Schematic



9.2.2 E-3357-1 Interconnection Diagram



9.2.3 EE-3358-1 Terminal Rail Assembly



EE-3358-1 Terminal Rail Assembly Parts List

Item	Part No.	Description	Qty.
1	E-2810	POWER SUPPLY - 120/230V PRIM., 24VDC OUT	1
2	E-2232-4	RELAY - 24VDC COIL, (1)N.O./(1) N.C.	1
3	E-3197	KIT - DIN MOUNTS	1
4	E-1977-21	RAIL - 10" LONG	1
5	E-2068-8	TERMINAL BLOCK - RAIL MOUNT, #10AWG	5
6	E-1146-3	DIODE - 1N4005	2
7	E-3264-9	CIRCUIT BREAKER - 8A (230V OPT)	1
7	E-3264-13	CIRCUIT BREAKER - 15A (120V OPT)	1
8	E-2070	END BRACKET - TERMINAL RAIL	2
9	E-709-R	WIRE - #18 GA. RED MTW (38" TOTAL)	1
10	E-849-R	WIRE - #16 GA. RED MTW (43" TOTAL)	1
11	EE-875-6	SWITCH ASSEMBLY - FOOT	1
12	EE-2769-16	CABLE ASSEMBLY - SOLENOID, CUT	1
13	EE-3049	CABLE ASSEMBLY - HYDRAULIC MOTOR	1
14	E-1214-49	CONNECTOR - 1/4" FULLY INS. Q.D.	2
15	E-1214-42	CONNECTOR - 3/16" FULLY INS. Q.D.	3
16	H-6910-63202	SCREW - #6-32 X 1/4" BUT HD CAP	2
17	E-1214-19	CONNECTOR - 1/4" INS. Q.D.	1