

# **OPERATION AND PARTS MANUAL**



## **MODEL GA-2.9R PORTABLE AC GENERATOR (GASOLINE ENGINE)**

Revision #0 (10/28/04)

**THIS MANUAL MUST ACCOMPANY  
THE EQUIPMENT AT ALL TIMES.**

## **MQ GA-2.9R — AC Portable Generator**

Here's How To Get Help .....	3
Table Of Contents .....	4
Parts Ordering Procedures .....	5
Dimensions .....	6
Specifications .....	7
Safety Alert Message Symbols .....	8-9
Rules for Safe Operation .....	10-12
Operation and Safety Decals .....	13
General Information .....	14
Load Application .....	15
Controls and Indicators .....	16-17
Generator Refueling .....	18
Installation .....	19-20
Pre-Inspection .....	21
Pre-Inspection (Engine) .....	22
Initial Start-up (Engine) .....	23
Initial Start-up (Engine/Operation) .....	24
Preparation For Long Term Storage .....	25
Maintenance .....	26-27
Wiring Diagram .....	28
Troubleshooting (Engine) .....	29-30
Troubleshooting (Generator) .....	31
Explanation Of Codes In Remarks Column .....	32
Suggested Spare Parts .....	33

## **ROBIN EX170D20210 Engine (EPA)**

Crankcase Assembly .....	42-43
Crankshaft, Piston Assembly .....	44-45
Governor Assembly .....	46-47
Intake and Exhaust Assembly .....	48-49
Air Cleaner Assembly .....	50-51
Cooling Starting Assembly .....	52-53
Carburetor Assembly .....	54-55
Flywheel Assembly .....	56-57
Electric Device Assembly .....	58-59
Terms and Conditions Of Sale — Parts .....	60

## **Generator Component Drawings**

Nameplate and Decals .....	34-35
Generator Assembly .....	36-37
Control Box Assembly .....	38-39
Pipe Frame Assembly .....	40-41

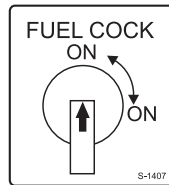
# MQ GA-2.9R — OPERATION AND SAFETY DECALS

## Machine Safety Decals

The MQ GA-2.9R portable generator is equipped with a number of safety decals (Figure 2). These decals are provided for operator safety and maintenance information. The illustration below shows these decals as they appear on the machine. Should any of these decals become unreadable, replacements can be obtained from your dealer.



P/N 8700611804



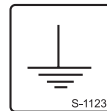
P/N 1630680104



CONTACT  
MQ PARTS DEPT.



P/N 8700611904



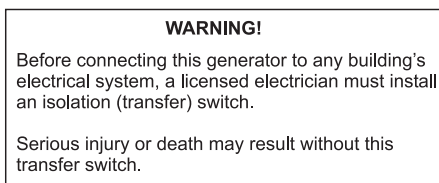
P/N 0800628504



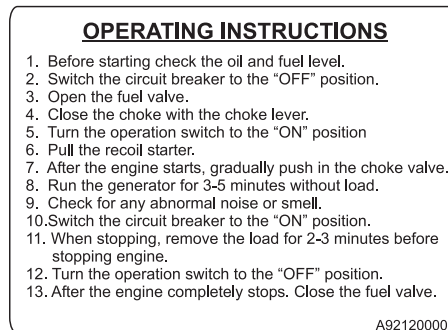
P/N 35137



P/N 7900636004



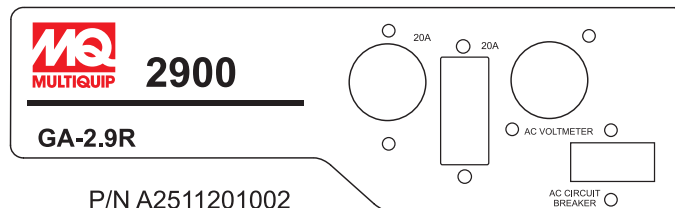
P/N 0820610404



P/N A92120000



P/N A2561000103



P/N A2511201002

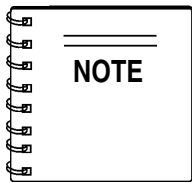
Figure 2. Operation and Safety Decals

# MQ GA-2.9R — SUGGESTED SPARE PARTS

## MQ GA-2.9R GENERATOR 1 TO 3 UNITS WITH ROBIN EX170D20210 ENGINE

### *1 to 3 Units*

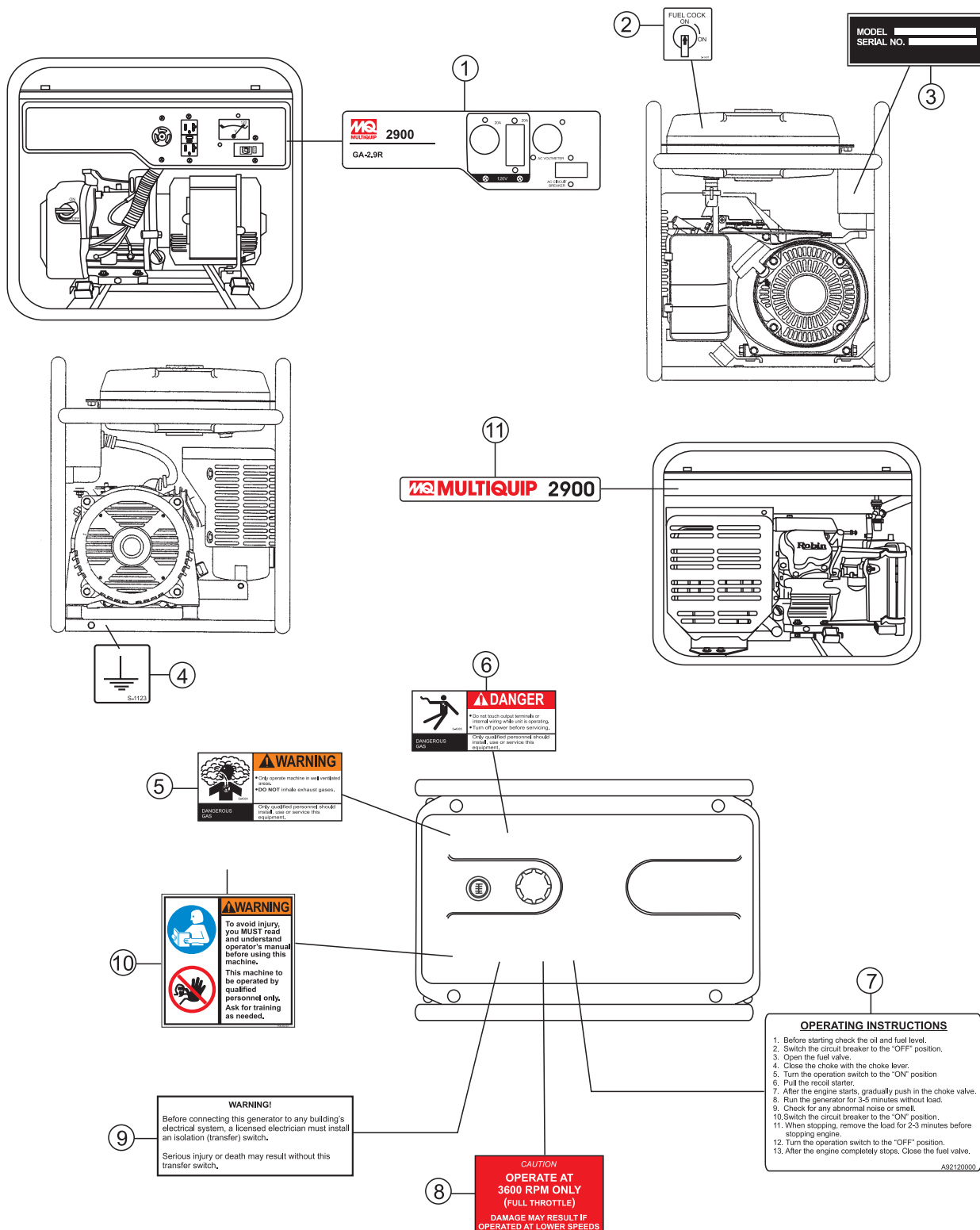
Qty.	P/N	Description
1 .....	A9924800014 .....	CAP, FUEL TANK
1 .....	A9924800004 .....	FUEL FILTER, FUEL TANK
3 .....	0650140150 .....	SPARK PLUG
3 .....	2772361407 .....	ELEMENT, AIR CLEANER
1 .....	5825011118 .....	ROPE, RECOIL STARTER



Part numbers on this  
Suggested Spare Parts  
List may supercede/  
replace the P/N shown in  
the text pages of this  
book.

# MQ GA-2.9R — NAME PLATE AND DECALS

## NAMEPLATE AND DECALS.



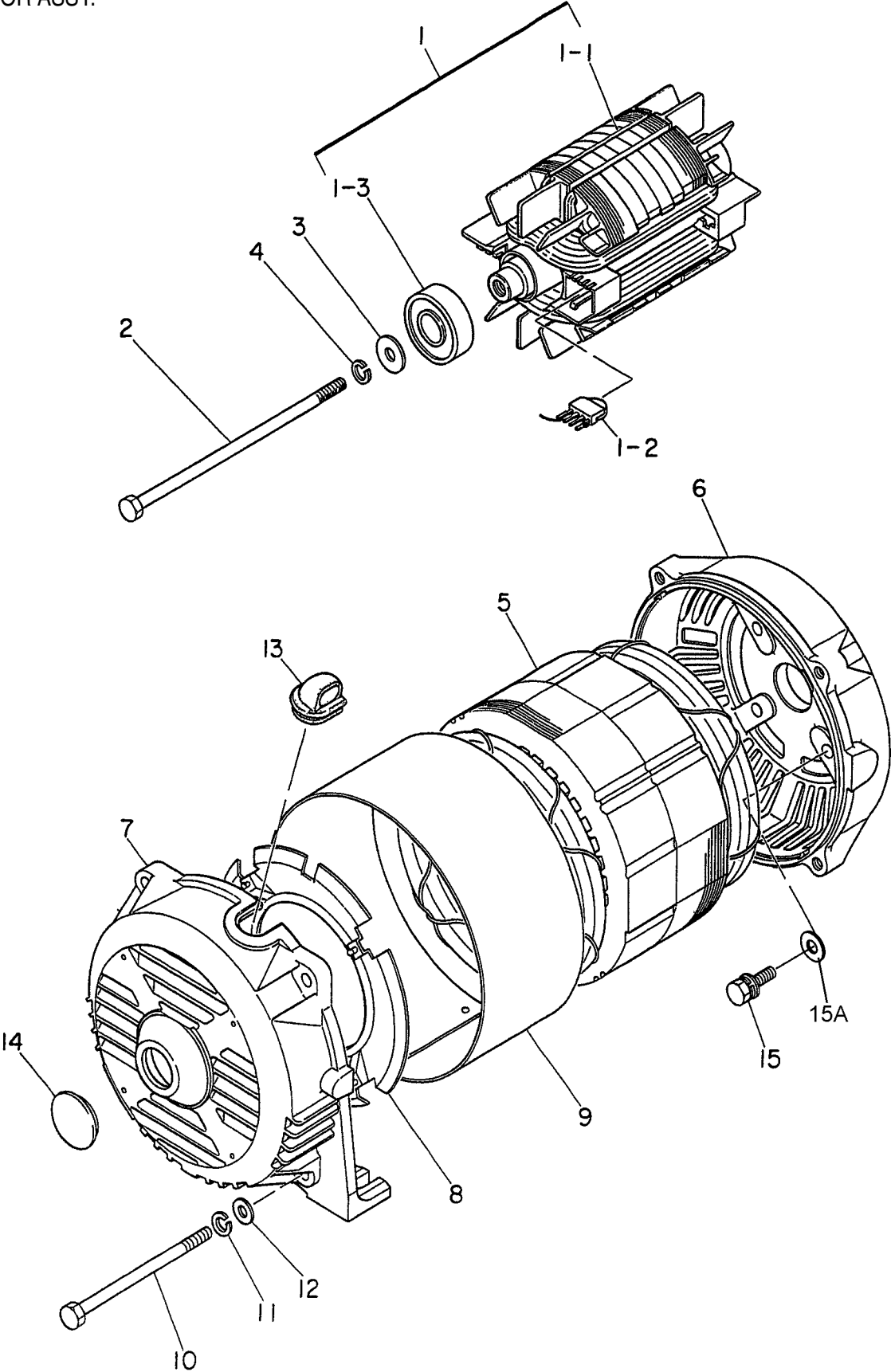
## MQ GA-2.9R — NAME PLATE AND DECALS

### NAMEPLATE DECALS.

<u>NO.</u>	<u>PART NO.</u>	<u>PART NAME</u>	<u>QTY.</u>	<u>REMARKS</u>
1	A2511201002	DECAL; CONTROL PANEL .....	1 .....	A21120100
2	1630680104	DECAL; FUEL COCK .....	1 .....	S-1407
3		NAMEPLATE .....	1 .....	CONTACT MQ PARTS DEPT.
4	0800628504	DECAL; GROUND .....	1 .....	S-1123
5	8700611804	DECAL; WARNING DANGEROUS GAS .....	1 .....	S-4984
6	8700611904	DECAL; DANGER ELECTRICAL SHOCK HAZ. ....	1 .....	S-4985
7	A92120000	DECAL; OPERATING INSTRUCTIONS	1	
8	7900636004	DECAL; CAUTION OPER. AT 3600 RPM ONLY .....	1 .....	S-4461
9	0820610404	DECAL; WARNING .....	1 .....	S-3627
10	35137	DECAL; CAUTION	1	
11	A2561000103	DECAL; MQ MULTIQUIP 2900	1	

# MQ GA-2.9R — GENERATOR ASSY.

GENERATOR ASSY.



# MQ GA-2.9R — GENERATOR ASSY.

## GENERATOR ASSY.

<u>NO</u>	<u>PART NO</u>	<u>PART NAME</u>	<u>QTY.</u>	<u>REMARKS</u>
1	7931000203	ROTOR ASSY. ....	1	INCLUDES ITEMS W/*
1-1*		FIELD COIL ASSY. ....	1	NOT SOLD SEPERATELY
1-2	0601823213	RECTIFIER .....	2	D3SB 80
1-2	0601822638	SURGE ABSORBER .....	2	TNR 15G431K
1-3*	0603000040	BEARING .....	1	6204 2RU NY5C S30
2	7681017104	SET BOLT, ROTOR	1	
3	0801086004	SET WASHER, BEARING	1	
4	0040008000	SPRING WASHER	1	
5	7921341803	ARMATURE ASSY. ....	1	S/N 5497956 AND BELOW
5	A2135000203	ARMATURE ASSY. ....	1	S/N 5497957 AND ABOVE
6	7931315002	END BRACKET (C SIDE)	1	
7	7931315102	END BRACKET (B SIDE)	1	
8	7875021523	GUIDE PANEL, AIR	1	
9	7681331003	COVER	1	
10	7681344204	SET BOLT, STATOR	4	
11	0040006000	SPRING WASHER	4	
12	0041206000	PLAIN WASHER	4	
13	7871329514	GROMMET	1	
14	0601851760	CAP	1	
15	0013608025	HEX. HEAD BOLT .....	4	S/N 5497956 AND BELOW
15	0013608020	HEX. HEAD BOLT .....	4	S/N 5497957 AND ABOVE
15A	0040008000	SPRING WASHER	4	



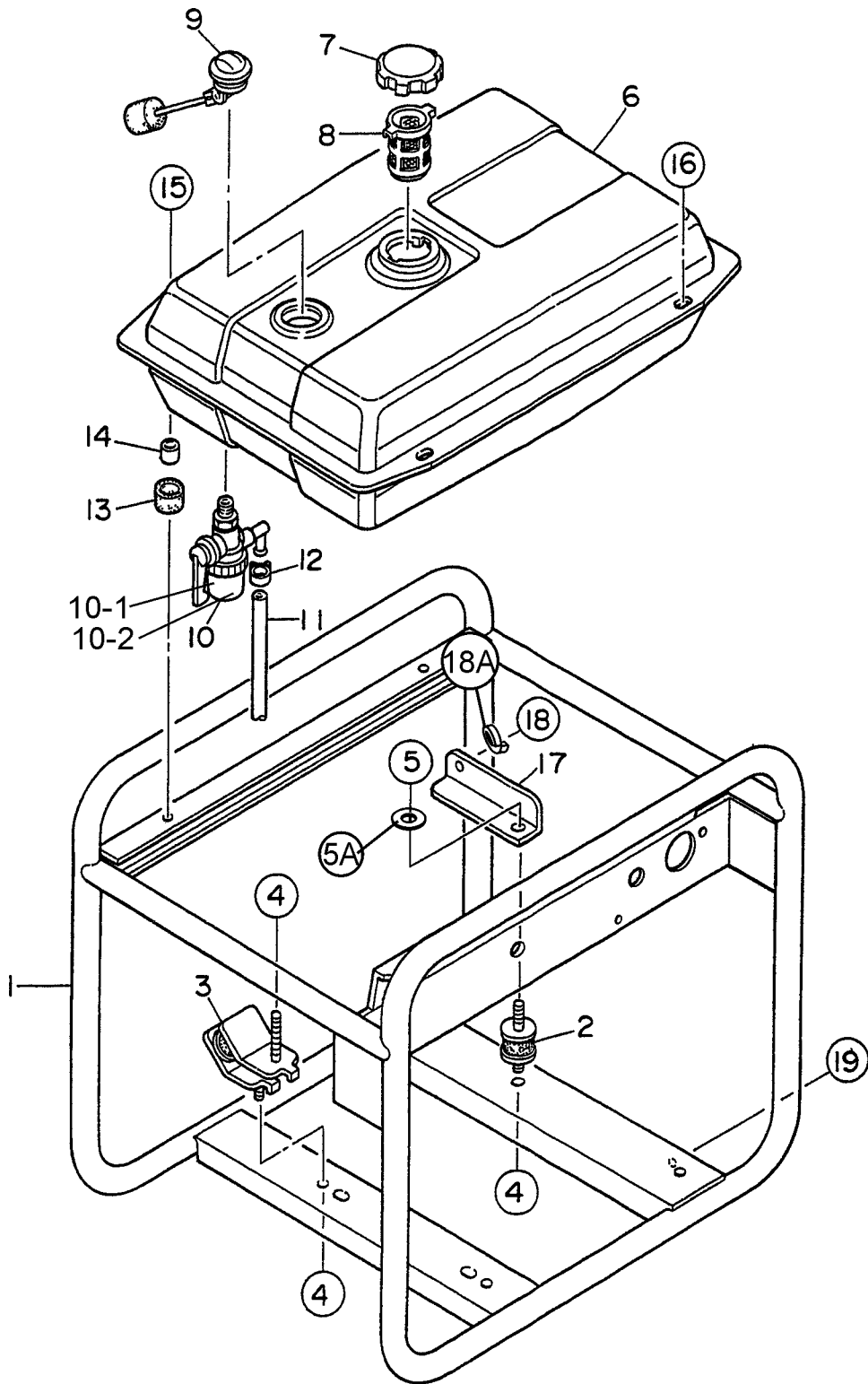
## MQ GA-2.9R — CONTROL BOX ASSY.

### CONTROL BOX ASSY.

<u>NO</u>	<u>PART NO</u>	<u>PART NAME</u>	<u>QTY.</u>	<u>REMARKS</u>
1	A0101000103	CONTROL BOX	1	
2	0801354504	GROMMET	1	
3	0601823204	RECTIFIER .....	1	S5VB60
4	0027103012	MACHINE SCREW	1	
5	A2224000103	CONTROL PANEL	1	
6	0601804889	CIRCUIT BREAKER.....	1	KM-51 : 22A
7	3011816004	BRACKET, CIRCUIT BREAKER	1	
8	0021004010	MACHINE SCREW	2	
9	0601806819	AC VOLTMETER .....	1	DE450-011 : 0 ~ 120V
10	0601812598	RECEPTACLE .....	1	5-20R: 125V, 20A
11	0601812592	RECEPTACLE .....	1	L5-20R:125V, 20A
12	0021004010	MACHINE SCREW	4	
12A	0207004000	HEX NUT	4	
13	0021004015	MACHINE SCREW	4	
13A	0207004000	HEX NUT	1	
14	0017106016	HEX. HEAD BOLT	4	
15	0017105010	HEX. HEAD BOLT	4	

# MQ GA-2.9R — PIPE FRAME ASSY.

PIPE FRAME ASSY.



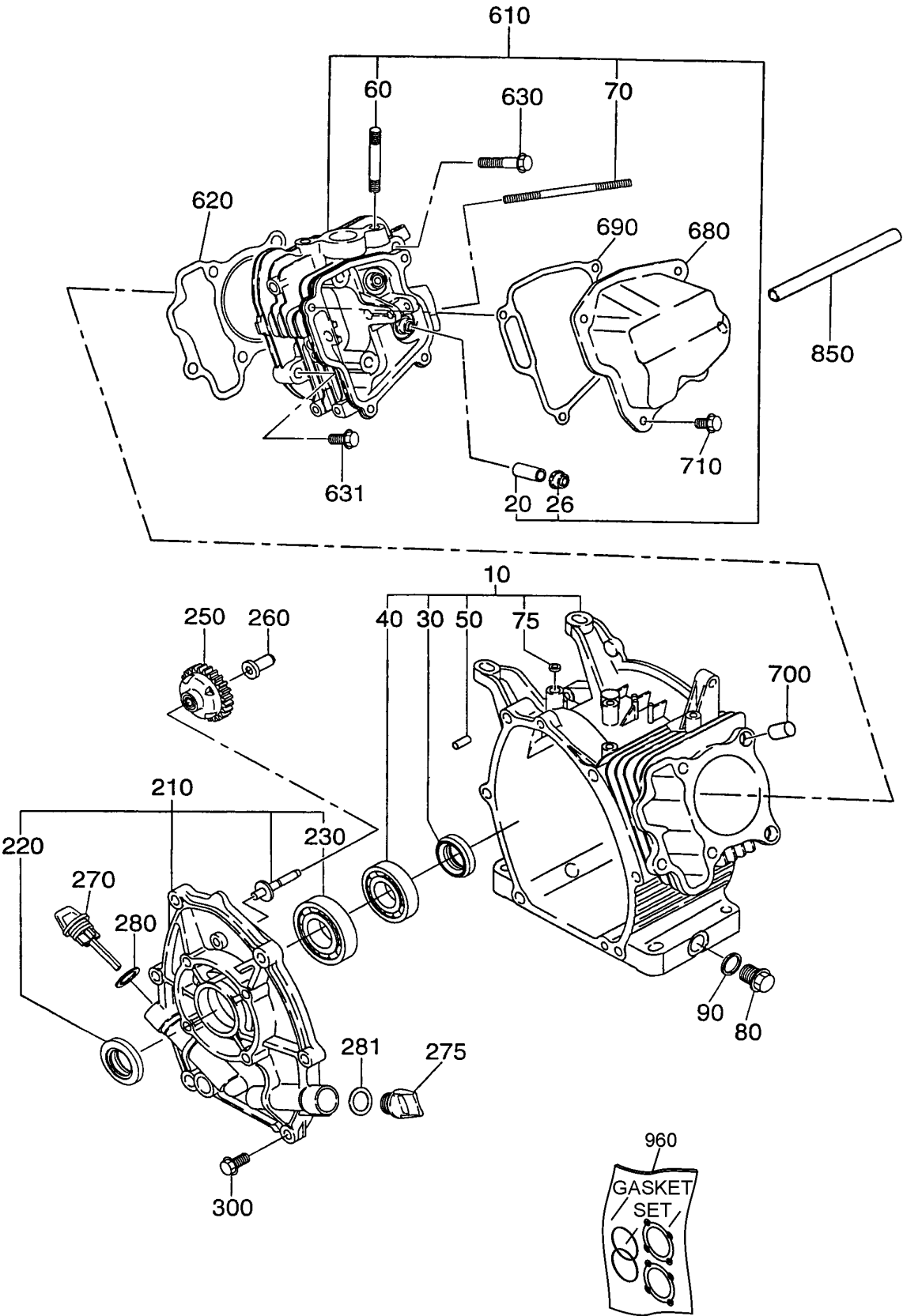
# MQ GA-2.9R — PIPE FRAME ASSY.

PIPE FRAME ASSY.

<u>NO</u>	<u>PART NO</u>	<u>PART NAME</u>	<u>QTY.</u>	<u>REMARKS</u>
1	A2417000302	PIPE FRAME	1	
2	7935419204	RUBBER SUSPENSION	2	
3	7935416004	RUBBER SUSPENSION	2	
4	0207008000	HEX. NUT	6	
5	0207008000	HEX. NUT	2	
5A	0801086004	WASHER	1	
6	A2365000102	FUEL TANK	1	
7	A9924800014	CAP, FUEL TANK	1	
8	A9924800004	FUEL FILTER	1	
9	0602125034	FUEL GAUGE, CJ- 58A	1	
10	0605510028	FUEL STRAINER .....	1	INCLUDES ITEMS W/*
10-1*	0642007810	CUP, FILTER, FUEL STRAINER	1	
10-2*	0642006410	PACKING, FUEL STRAINER	1	
11	0605513169	HOSE	1	
12	0605515061	HOSE BAND	2	
13	7855525514	RUBBER CUSHION	2	
14	7855525604	COLLAR	2	
15	0016908030	HEX. HEAD BOLT	2	
16	0016908020	HEX. HEAD BOLT	2	
17	A2331400004	BRACKET	1	
18	0013606016	HEX. HEAD BOLT	2	
18A	0040106000	SPRING WASHER	1	
19	0019206016	HEX. HEAD BOLT	1	

# ROBIN EX170D20210 — CRANKCASE ASSY.

CRANKCASE ASSY..



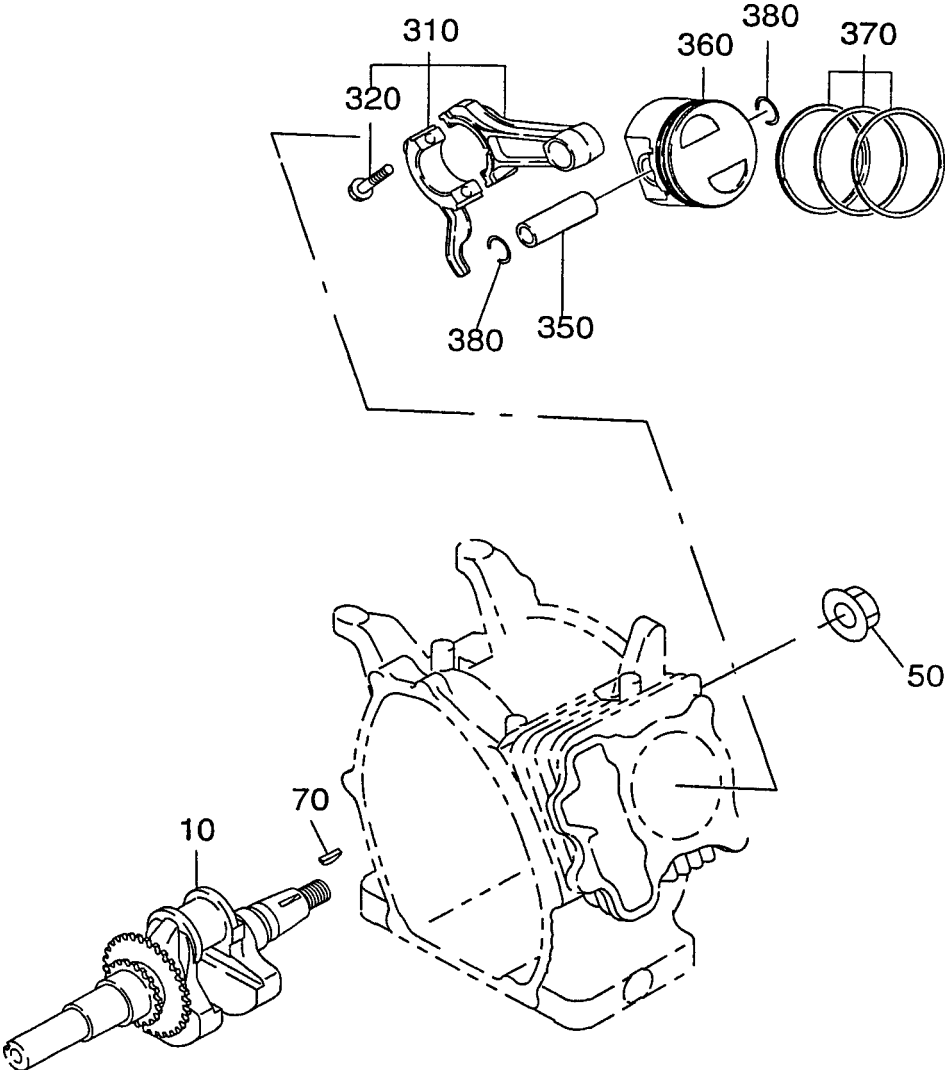
# ROBIN EX170D20210— CRANKCASE ASSY.

## CRANKCASE ASSY.

<u>NO</u>	<u>PART NO</u>	<u>PART NAME</u>	<u>QTY.</u>	<u>REMARKS</u>
10	2771010241	CRANKCASE CP .....	1 .....	INCLUDES ITEM W/*
20#	2371420103	VALVE GUIDE	2	
26#	2771601001	STEM SEAL	1	
30*	0440250200	OIL SEAL	1	
40*	0600280021	BALL BEARING	1	
50*	2771501103	PIPE KNOCK	2	
60#	0105080250	STUD	2	
70#	0105060351	STUD	2	
75*	0440060020	OIL SEAL	1	
80	0401140030	PLUG	2	
90	0211140020	GASKET	2	
210	2771100131	MAIN BEARING COVER C .....	1 .....	INCLUDES ITEM W/%
220%	0440250210	OIL SEAL	1	
230%	0600250140	BALL BEARING, 6205	1	
250	2774500141	GOVERNOR GEAR CP	1	
260	2774190103	GOVERNOR SLEEVE	1	
270	2776360113	OIL GAUGE	1	
275	2776500103	FILLER PLUG	1	
280	0213160020	GASKET	1	
281	0213160020	GASKET	1	
300	0010408350	FLANGE BOLT	6	
610	2771300111	CYLINDER HEAD CP .....	1 .....	INCLUDES ITEM W/#
620	2771500123	GASKET, HEAD	1	
630	0110080240	FLANGE BOLT	4	
631	0010408350	FLANGE BOLT	1	
680	2771550101	ROCKER COVER CP	1	
690	2771600103	GASKET, ROCKER COVER	1	
700	2771501103	PIPE KNOCK	2	
710	0110060020	FLANGE BOLT	4	
850	0851080000	RUBBER PIPE	1	
960	2779900107	GASKET SET	1	

# ROBIN EX170D20210 — CRANKSHAFT AND PISTON ASSY.

CRANKSHAFT AND PISTON ASSY.



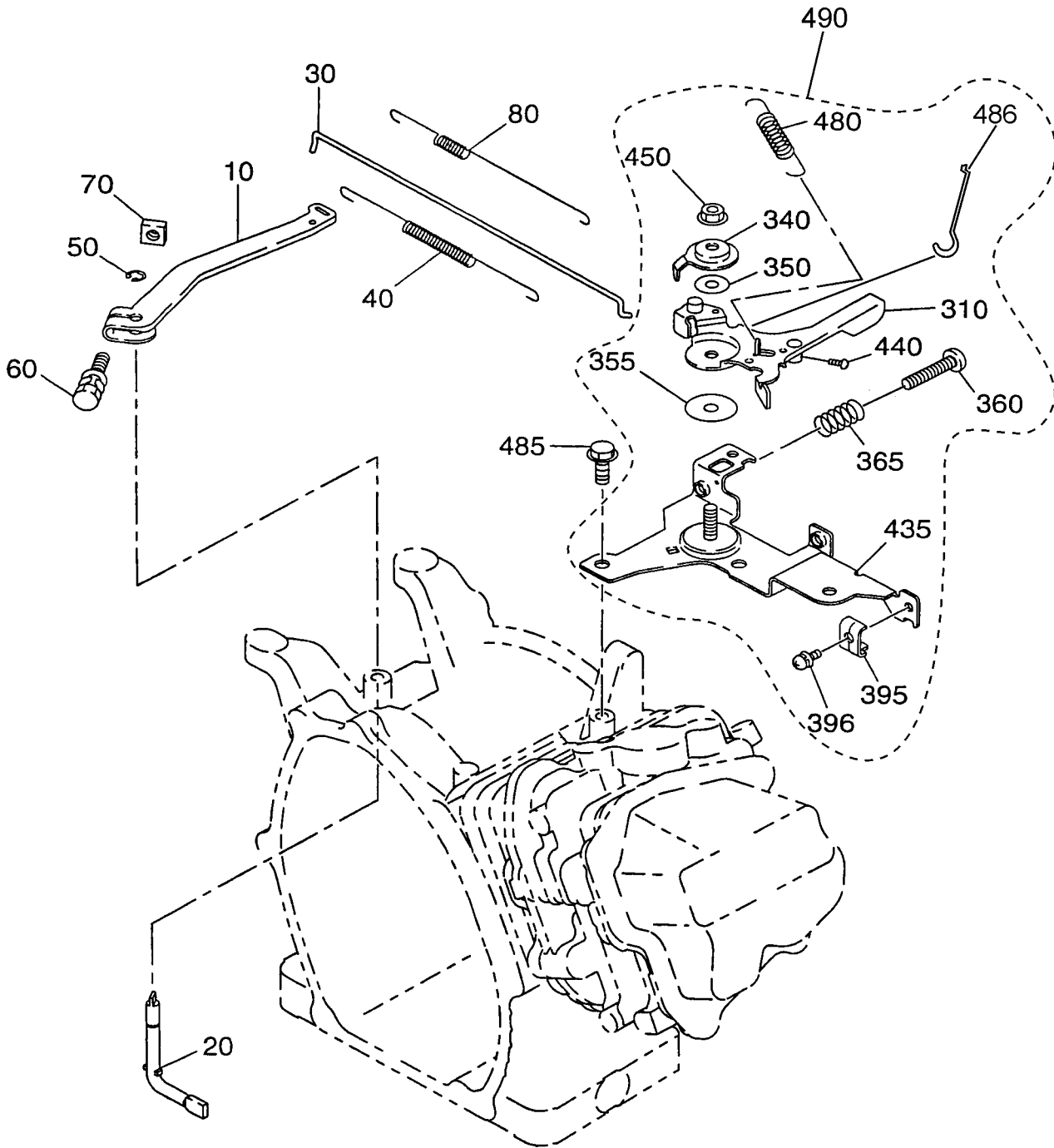
# ROBIN EX170D20210 — CRANKSHAFT AND PISTON ASSY.

## CRANKSHAFT ASSY.

<u>NO</u>	<u>PART NO</u>	<u>PART NAME</u>	<u>QTY.</u>	<u>REMARKS</u>
10	2772020121	CRANKSHAFT CP	1	
50	0180140020	FLANGE NUT	1	
70	0323030010	WOODRUFF KEY	1	
310	2772250110	CONNECTING ROD ASSY. ....	1	INCLUDES ITEMS W/*
320*	2772300103	CONNECTING ROD BOLT	2	
350	2772330103	PISTON PIN	1	
360	2772340103	PISTON	1	
360	2772340303	PISTON, OVERSIZE 0.25 MM	1	
360	2772340403	PISTON, OVERSIZE 0.50 MM	1	
370	2772351107	PISTON RING SET	1	
370	2772351217	PISTON RING SET, OVERSIZE 0.25 MM	1	
370	2772351317	PISTON RING SET, OVERSIZE 0.50 MM	1	
380	0565160010	CLIP	2	

# ROBIN EX170D20210 — GOVERNOR ASSY.

GOVERNOR ASSY.



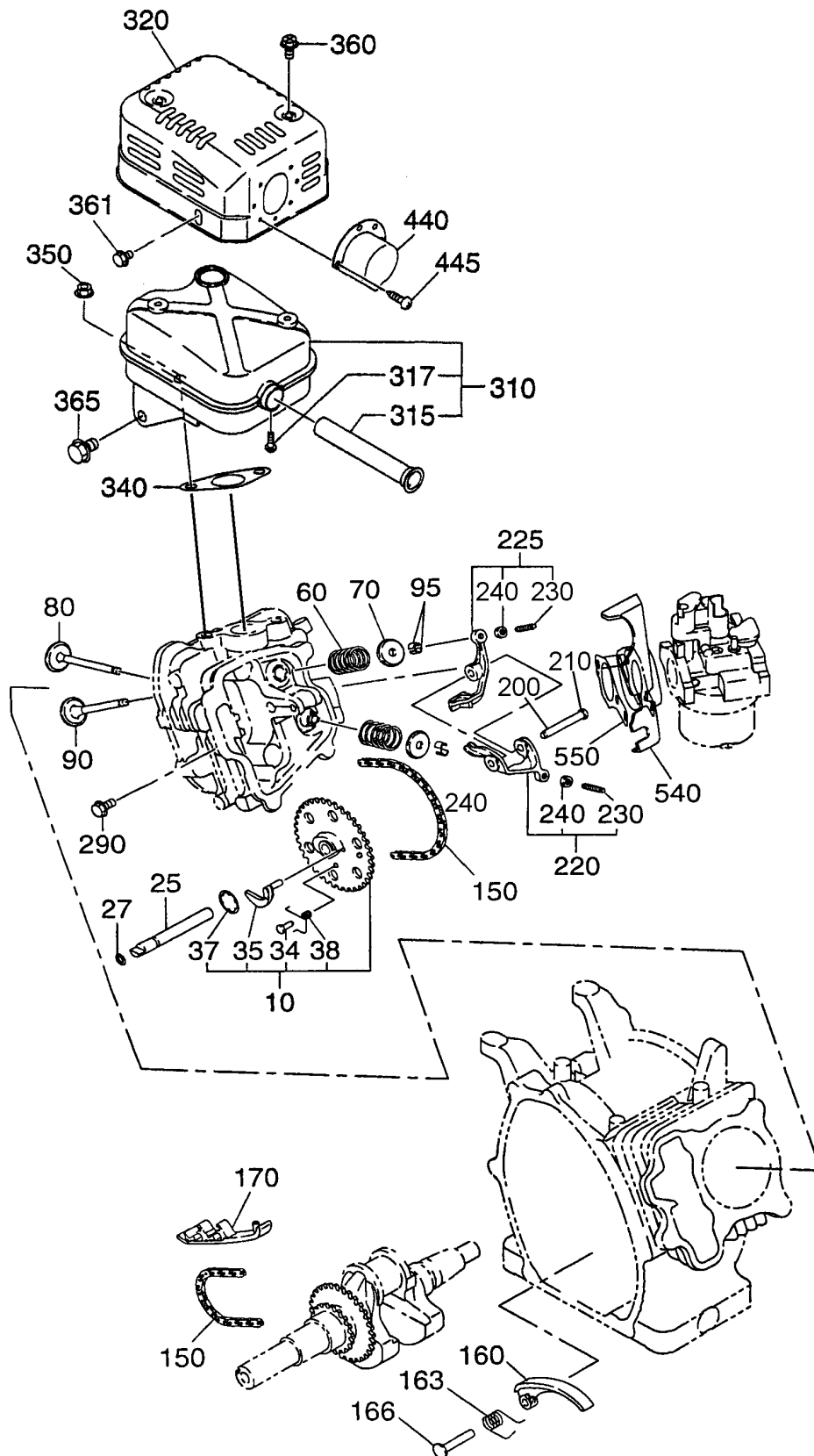
# ROBIN EX170D20210 — GOVERNOR ASSY.

GOVERNOR ASSY.

<u>NO</u>	<u>PART NO</u>	<u>PART NAME</u>	<u>QTY.</u>	<u>REMARKS</u>
10	2774230113	GOVERNOR LEVER	1	
20	2774220133	GOVERNOR SHAFT	1	
30	2774270101	GOVERNOR ROD CP	1	
40	2774280113	ROD SPRING	1	
50	0031305000	CLIP	1	
60	0130060240	BOLT & WASHER ASSY.	1	
70	0186060020	NUT	1	
80	2794250223	GOVERNOR SPRING	1	
80	2764250533	GOVERNOR SPRING	1	
310*	2774330301	SPEED CONTROL LEVER	1	
340*	2774350103	STOP PLATE	1	
350*	0200060170	WASHER	1	
355*	0217060070	FRICTION, WASHER	1	
360*	0043106250	SCREW	1	
365*	2374500423	SPRING, ADJUST	1	
395*	2774390203	CLAMP	1	
396*	0131050030	SCREW & WASHER ASSY.	1	
435*	2774600201	SPEED CONT. BRKT CP .....	1	..... CAN ONLY BE PURCHASED W/ITEM 490
440*	0043104080	SCREW	1	
450*	0023506000	SELF LOCK NUT	1	
480*	674510103	RETURN SPRING	1	
485	0110060020	FLANGE BOLT	2	
486*	2774370101	LINK ROD	1	
490	2774600210	SPEED CONTROL ASSY. ....	1	..... INCLUDES ITEMS W/*

# ROBIN EX170D20210 — INTAKE AND EXHAUST ASSY.

INTAKE AND EXHAUST ASSY.



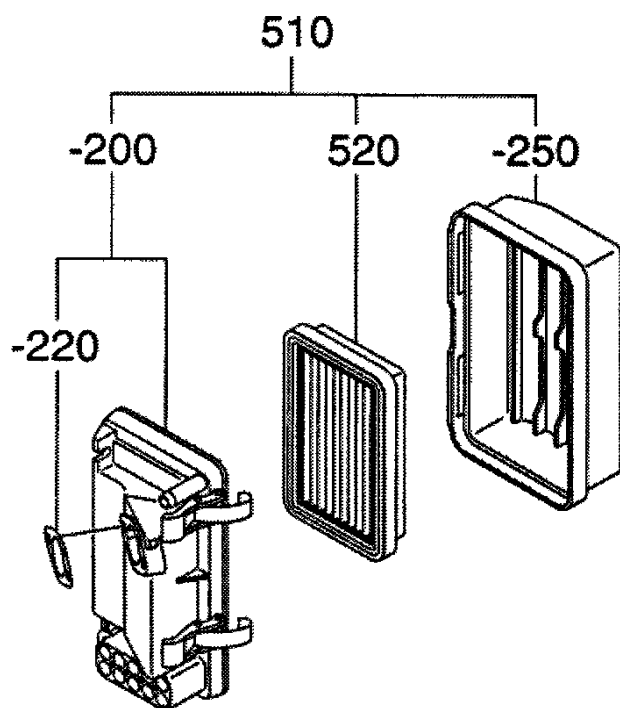
# ROBIN EX170D20210 — INTAKE AND EXHAUST ASSY.

## INTAKE AND EXHAUST ASSY.

<u>NO</u>	<u>PART NO</u>	<u>PART NAME</u>	<u>QTY.</u>	<u>REMARKS</u>
10	2773160111	CAM SHAFT CP .....	1	INCLUDES ITEMS W/%
25	2773510103	PIN, CAM SHAFT	1	
27	0240060010	O-RING	1	
34%	2773860103	PIN, SPRING	1	
35%	2773640103	RELEASE LEVER	1	
37%	2773650103	CLIP	1	
38%	2773870203	RETURN SPRING	1	
60	2793360103	VALVE SPRING	2	
70	2693370103	SPRING RETAINER	2	
80	2773340113	INTAKE VALVE	1	
90	2773350113	EXHAUST VALVE	1	
95	13210KA031	COLLET VALVE	4	
150	2773560111	TIMING CHAIN CP	1	
160	2773691103	TENTIONER	1	
163	2773710103	SPRING, TENTIONER	1	
166	2773690203	PIN, TENTIONER	1	
170	2773691313	CHAIN GUIDE	1	
200	2773500203	PIN, ROCKER	1	
210	0031305000	CLIP	1	
220	2773620100	ROCKER ARM, IN, ASSY. ....	1	INCLUDES ITEM W/+
225	2773620200	ROCKER ARM, EX, ASSY. ....	1	INCLUDES ITEM W/+
230+	0149050020	ADJUST SCREW	1	
240+	0170050020	NUT	1	
290	0110060020	FLANGE BOLT	1	
310	2773011101	MUFFLER/SPARK ARRESTOR .....	1	INCLUDES ITEMS W/*
315*	2773760101	SPARK ARRESTOR	1	
317*	0150040060	TAPPING SCREW	1	
320	2773240111	MUFFLER COVER CP	1	
340	2773520113	GASKET, MUFFLER	1	
350	9802008280	FLANGE NUT	2	
360	0152060090	TAPPING BOLT	2	
361	0110060010	FLANGE BOLT	1	
365	0110080150	FLANGE BOLT	1	
440	2773700103	DEFLECTOR	1	
445	0150040060	TAPPING SCREW	2	
540	2773290113	INSULATOR	1	
550	2773590113	GASKET, INSULATOR	1	

# ROBIN EX170D20210 — AIR CLEANER ASSY.

AIR CLEANER ASSY.



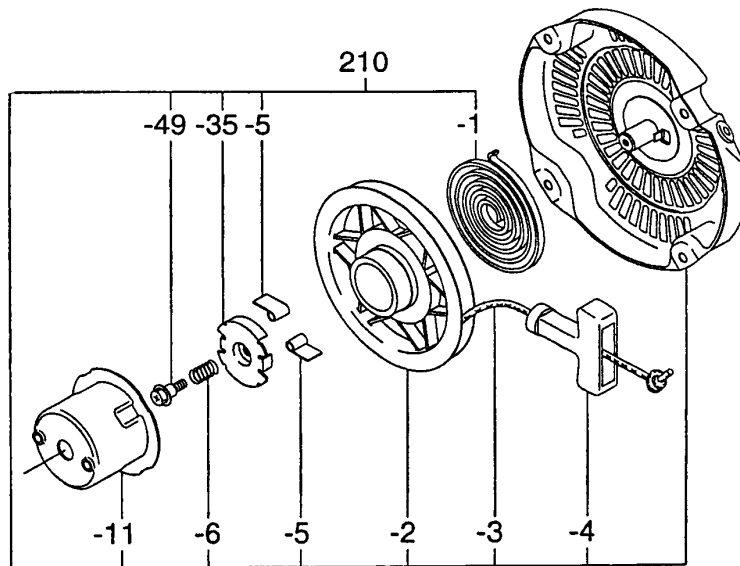
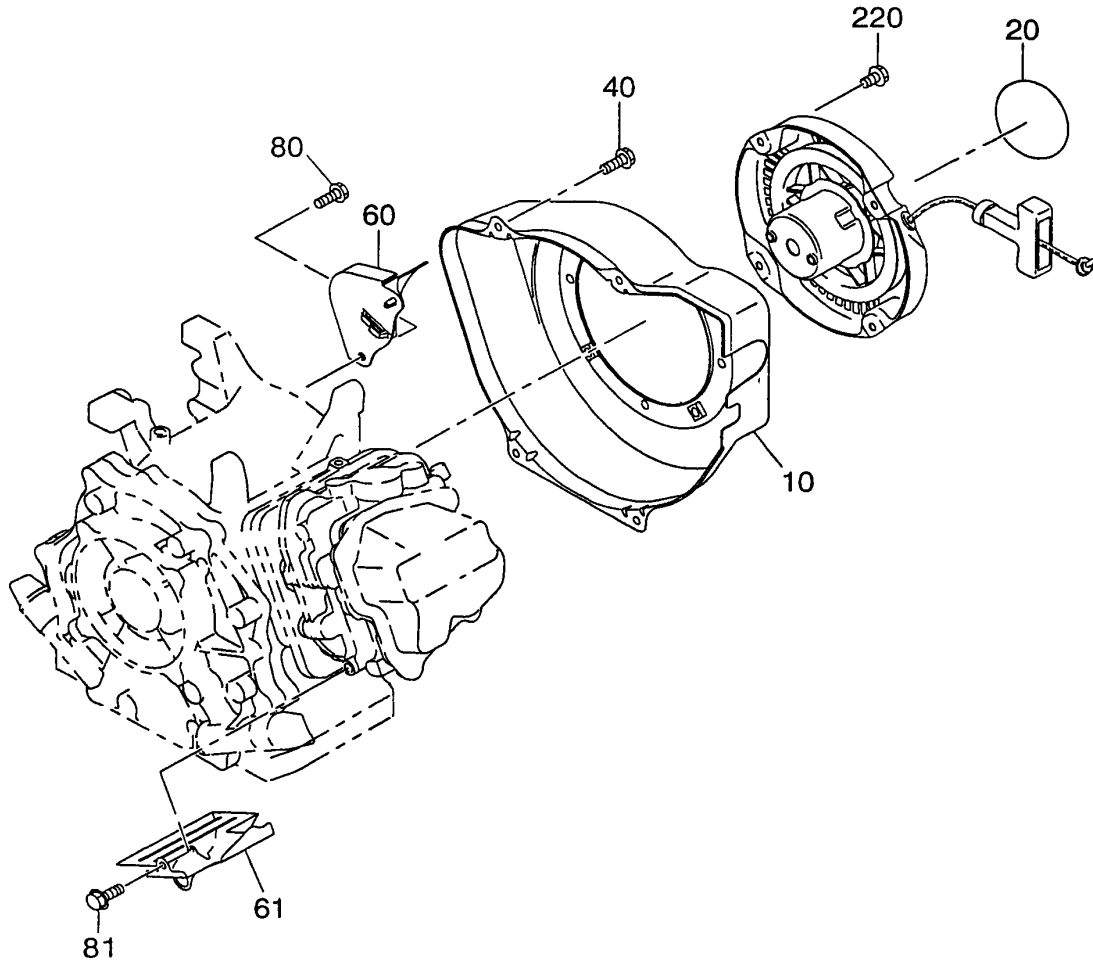
## ROBIN EX170D20210 — AIR CLEANER ASSY.

AIR CLEANER ASSY.

<u>NO.</u>	<u>PART NO.</u>	<u>PART NAME</u>	<u>QTY.</u>	<u>REMARKS</u>
510	2773262010	AIR CLEANER ASSY. (LOW PROFILE)	1	INCLUDES ITEMS W/*
510-200*	2773261318	BACK PLATE	1	
510-220*	2773260408	GASKET	1	
510-250*	2773261228	COVER	1	
520*	2773261407	ELEMENT ASSY., LOW PROFILE	1	

# ROBIN EX170D20210 — COOLING STARTING ASSY.

COOLING STARTING ASSY.



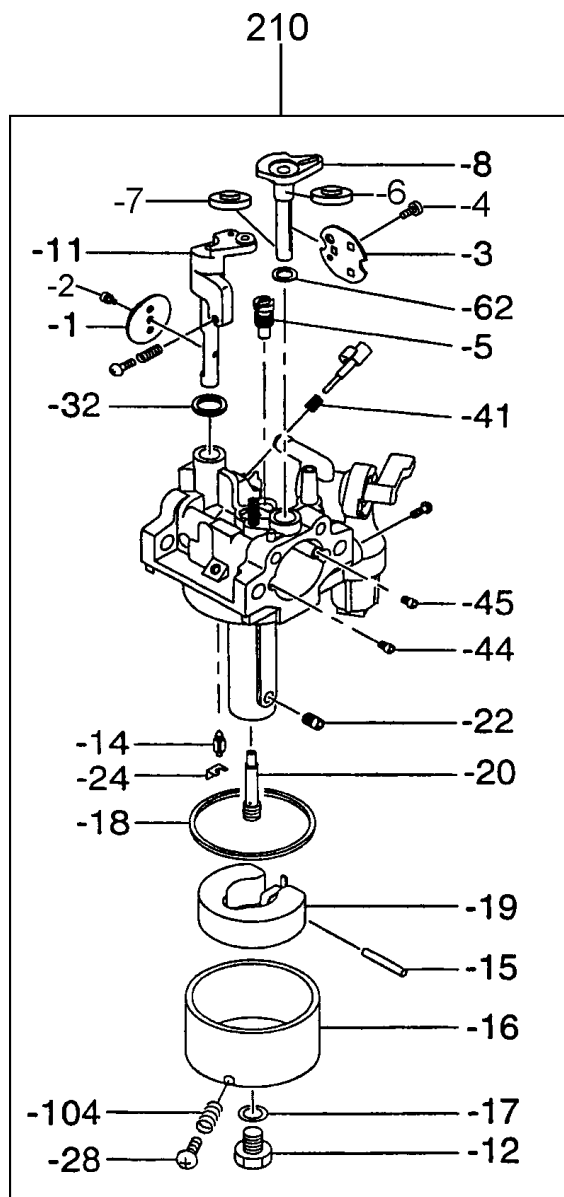
# ROBIN EX170D20210 — COOLING STARTING ASSY.

## COOLING STARTING ASSY.

<u>NO</u>	<u>PART NO</u>	<u>PART NAME</u>	<u>QTY.</u>	<u>REMARKS</u>
10	2775120201	BLOWER HOUSING CP	1	
20	0732005140	LABEL, TRADEMARK	1	
40	0110060030	FLANGE BOLT	4	
60	2775271111	BAFFLE 1, CASE CP	1	
61	2775270203	BAFFLE 2, HEAD	1	
80	0010406160	FLANGE BOLT	1	
81	0110060020	FLANGE BOLT	1	
210	2695020130	RECOIL STARTER ASSY. ....	1	INCLUDES ITEM W/*
210-1*	2705011508	SPIRAL SPRING	1	
210-2*	2695012008	REEL	1	
210-3*	5825011118	STARTER ROPE	1	
210-4*	2615010008	STARTER KNOB	1	
210-5*	2705012508	RATCHET	2	
210-6*	2275013108	FRICTION SPRING	1	
210-11*	2695014518	STARTER PULLEY	1	
210-35*	2705026108	RATCHET GUIDE	1	
210-49*	2275015208	SET SCREW	1	
220	0110060010	FLANGE BOLT	4	

# ROBIN EX170D20210 — CARBURETOR ASSY.

CARBURETOR ASSY.



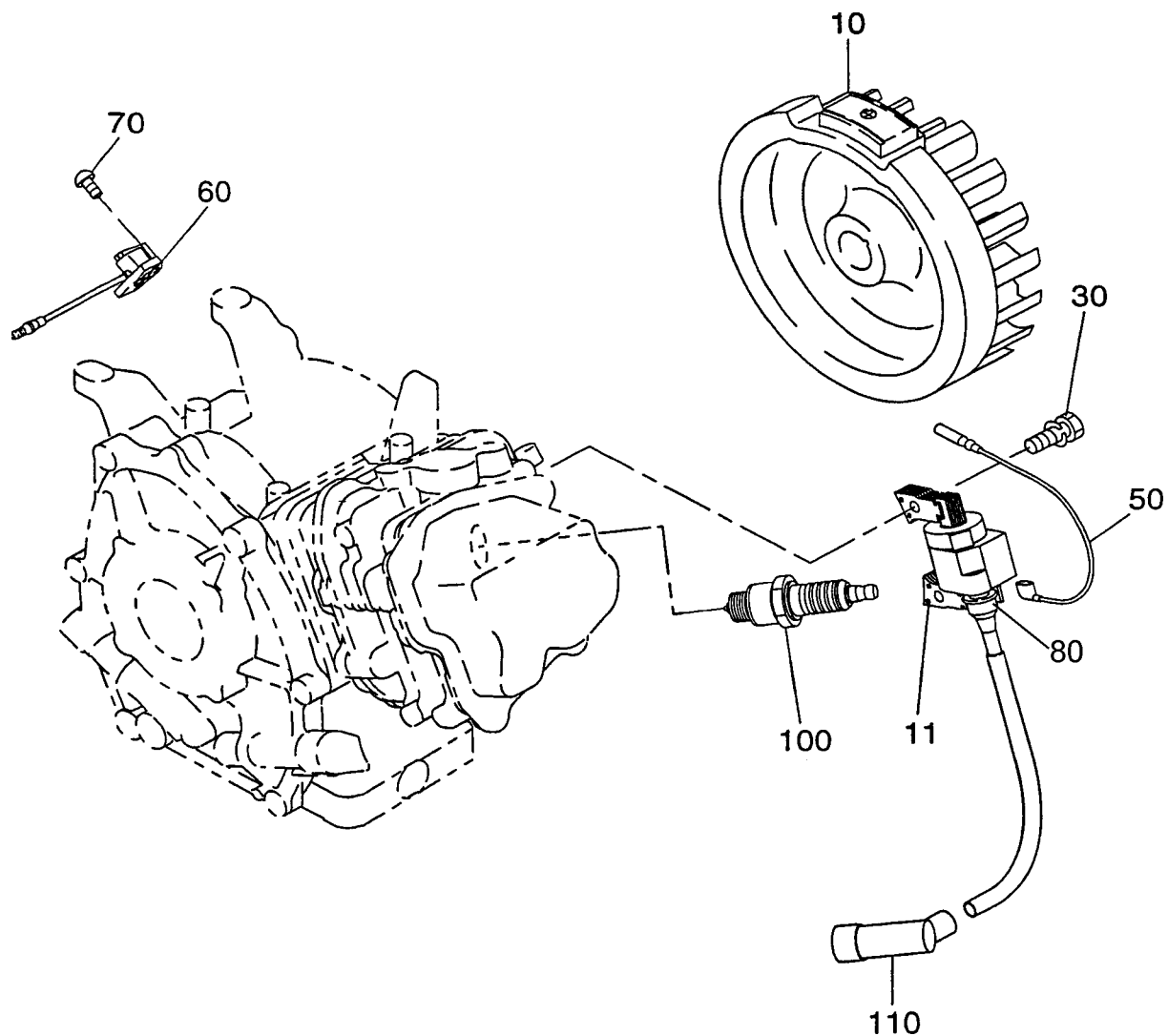
# ROBIN EX170D20210 — CARBURETOR ASSY.

## CARBURETOR ASSY.

<u>NO</u>	<u>PART NO</u>	<u>PART NAME</u>	<u>QTY.</u>	<u>REMARKS</u>
210	2776230420	CARBURETOR ASSY. ....	1	INCLUDES ITEM W/*
210-1*	2776253508	THROTTLE VALVE	1	
210-2*	2096235108	THROTTLE SCREW	1	
210-3*	2776252708	CHOKE VALVE	1	
210-4*	2376245108	SCREW, CHOKE, LOW PROFILE	1	
210-5*	2466242008	PILOT JET, #40	1	
210-6*	2776257008	RING, UPPER, LOW PROFILE	1	
210-7*	2776257108	RING, LOWER, LOW PROFILE	1	
210-8*	2776256008	CHOKE LEVER	1	
210-11*	2776253108	THROTTLE SHAFT	1	
210-12*	2276245108	BOLT	1	
210-14*	2776250008	NEEDLE	1	
210-15*	2776251508	PIN	1	
210-16*	2776250608	FLOAT BODY	1	
210-17*	2146245008	PACKING	1	
210-18*	2146254008	CHAMBER PACKING	1	
210-19*	2266250608	FLOAT ASSY.	1	
210-20*	2776244008	MAIN NOZZLE	1	
210-22*	2266241108	MAIN JET, #77.5	1	
210-22*	2776241208	MAIN JET, #76.3	1	
210-24*	2266270118	CLIP	1	
210-28*	2776236008	BOLT	1	
210-32*	2466239008	SEAL	1	
210-44*	2486241008	AIR JET	1	
210-45*	1066241008	AIR JET, PILOT	1	
210-62*	2366268008	SEAL	1	
210-104*	2366254108	PACKING	1	

# ROBIN EX170D20210 — FLYWHEEL ASSY.

FLYWHEEL ASSY.



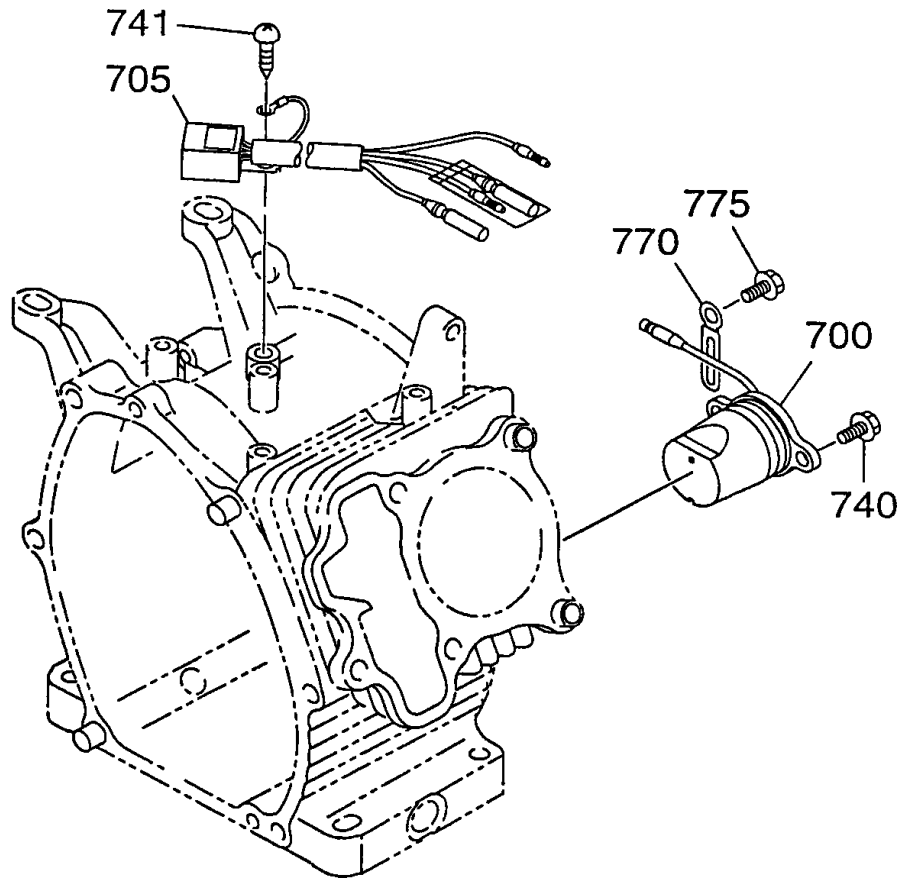
# ROBIN EX170D20210 — FLYWHEEL ASSY.

FLYWHEEL ASSY.

<u>NO</u>	<u>PART NO</u>	<u>PART NAME</u>	<u>QTY.</u>	<u>REMARKS</u>
10	2777923011	FLYWHEEL CP	1	
11	2777943101	IGNITION COIL CP	1	
30	0011406250	BOLT & WASHER	2	
50	27773101H1	WIRE 1 CP	1	
60	X660000361	SWITCH ASSY.	1	
70	0150040090	TAPPING SCREW	2	
80	0241070110	GROMMET	1	
100	0650140150	SPARK PLUG .....	1 .....	NGK BR6HS
110	0655000270	SPARK PLUG CAP	1	

# ROBIN EX170D20210 — ELECTRIC DEVICE ASSY.

ELECTRIC DEVICE ASSY.



# ROBIN EX170D20210 — ELECTRIC DEVICE ASSY.

ELECTRIC DEVICE ASSY.

<u>NO</u>	<u>PART NO</u>	<u>PART NAME</u>	<u>QTY.</u>	<u>REMARKS</u>
700	2777630111	OIL SENSOR CP	1	
705	KU31104311	FLOAT, C/U CP3	1	
740	0011406160	BOLT & WASHER ASSY.	2	
741	0150040090	TAPPING SCREW	1	
770	2147900601	CLAMP CP	1	
775	0110060020	FLANGE BOLT	1	