

# PARTS MANUAL



 **WHITEMAN** SERIES  
**WSHE/A SERIES**  
**VIBRATORY TRUSS SCREED**

**HONDA GASOLINE ENGINES:**

**GX270UT2QA2 9HP**

**GX340UT2QAP2 11HP**

Revision #1 (12/15/20)

**THIS MANUAL MUST ACCOMPANY THE EQUIPMENT AT ALL TIMES.**

**PN: 36864**

## **WSHE/A Series Vibratory Truss Screenshot**

|  |   |
|--|---|
| Table Of Contents.....                     | 2 |
| Explanation Of Code In Remarks Column..... | 4 |
| Suggested Spare Parts .....                | 5 |

### **Component Drawings**

|   |       |
|---|-------|
| Nameplate And Decals.....                                 | 6–7   |
| WSHE20 Section Assembly .....                             | 8–9   |
| WSHE25 And Heavy-Duty Sec. Assembly .....                 | 10–11 |
| WSHE50 And Heavy-Duty Sec. Assembly .....                 | 12–13 |
| WSHE75 And Heavy-Duty Sec. Assembly .....                 | 14–15 |
| WSHE100 And Heavy-Duty Sec. Assembly ....                 | 16–17 |
| WSHEIC Invert/Crown Kit Assembly .....                    | 18–19 |
| WSHEKITUJ Assembly .....                                  | 20–21 |
| WSHEH End Handle Kit Assembly.....                        | 22–23 |
| WSHEEXT6/12/18 End Handle<br>Extension Kit Assembly ..... | 24–25 |
| WSHEKIT8H/9H/11H Engine Kit Assembly ....                 | 26–27 |
| WSHE50KIT8H/9H/11H Engine And<br>Section Assembly .....   | 28–29 |
| WSHESPW (Right-Side) Kit Assembly.....                    | 30–33 |
| WSHESPW (Left-Side) Kit Assembly .....                    | 34–37 |
| WSHW Hand Winch Assembly.....                             | 38–39 |
| WSHA20 Section Assembly .....                             | 40–41 |
| WSHA25 Section Assembly .....                             | 42–43 |
| WSHA50 Section Assembly .....                             | 44–45 |
| WSHA75 Section Assembly .....                             | 46–47 |
| WSHA100 Section Assembly .....                            | 48–49 |
| WSHAIC Invert/Crown Kit Assembly .....                    | 50–51 |
| WSHAH End Handle Kit Assembly.....                        | 52–53 |
| WSHAEXT6/12/18 End Handle<br>Extension Kit Assembly ..... | 54–55 |
| WSKITAEB-R Adjustable End<br>Bracket Assembly .....       | 56–57 |
| WSHRBE Kit Assembly .....                                 | 58–59 |
| EZ Mover Assembly.....                                    | 60–61 |

#### **NOTICE**

Part numbers are subject to change without notice.

# EXPLANATION OF CODE IN REMARKS COLUMN

The following section explains the different symbols and remarks used in the Parts section of this manual. Use the help numbers found on the back page of the manual if there are any questions.

**NOTICE**

The contents and part numbers listed in the parts section are subject to change **without notice**. Multiquip does not guarantee the availability of the parts listed.

## SAMPLE PARTS LIST

| NO. | PART NO. | PART NAME            | QTY. | REMARKS             |
|-----|----------|----------------------|------|---------------------|
| 1   | 12345    | BOLT .....           | 1    | INCLUDES ITEMS W/%  |
| 2%  |          | WASHER, 1/4 IN. .... |      | NOT SOLD SEPARATELY |
| 2%  | 12347    | WASHER, 3/8 IN. ...  | 1    | MQ-45T ONLY         |
| 3   | 12348    | HOSE .....           | A/R  | MAKE LOCALLY        |
| 4   | 12349    | BEARING .....        | 1    | S/N 2345B AND ABOVE |

## NO. Column

**Unique Symbols** — All items with same unique symbol (@, #, +, %, or >) in the number column belong to the same assembly or kit, which is indicated by a note in the “Remarks” column.

**Duplicate Item Numbers** — Duplicate numbers indicate multiple part numbers, which are in effect for the same general item, such as different size saw blade guards in use or a part that has been updated on newer versions of the same machine.

**NOTICE**

When ordering a part that has more than one item number listed, check the remarks column for help in determining the proper part to order.

## PART NO. Column

**Numbers Used** — Part numbers can be indicated by a number, a blank entry, or TBD.

TBD (To Be Determined) is generally used to show a part that has not been assigned a formal part number at the time of publication.

A blank entry generally indicates that the item is not sold separately or is not sold by Multiquip. Other entries will be clarified in the “Remarks” Column.

## QTY. Column

**Numbers Used** — Item quantity can be indicated by a number, a blank entry, or A/R.

A/R (As Required) is generally used for hoses or other parts that are sold in bulk and cut to length.

A blank entry generally indicates that the item is not sold separately. Other entries will be clarified in the “Remarks” Column.

## REMARKS Column

Some of the most common notes found in the “Remarks” Column are listed below. Other additional notes needed to describe the item can also be shown.

**Assembly/Kit** — All items on the parts list with the same unique symbol will be included when this item is purchased.

Indicated by:

“INCLUDES ITEMS W/(unique symbol)”

**Serial Number Break** — Used to list an effective serial number range where a particular part is used.

Indicated by:

“S/N XXXXX AND BELOW”

“S/N XXXX AND ABOVE”

“S/N XXXX TO S/N XXX”

**Specific Model Number Use** — Indicates that the part is used only with the specific model number or model number variant listed. It can also be used to show a part is NOT used on a specific model or model number variant.

Indicated by:

“XXXXX ONLY”

“NOT USED ON XXXX”

**“Make/Obtain Locally”** — Indicates that the part can be purchased at any hardware shop or made out of available items. Examples include battery cables, shims, and certain washers and nuts.

**“Not Sold Separately”** — Indicates that an item cannot be purchased as a separate item and is either part of an assembly/kit that can be purchased, or is not available for sale through Multiquip.

## SUGGESTED SPARE PARTS

### WSHE VIBRATORY TRUSS SCREED

1 to 3 units

| Qty.   | P/N          | Description                          |
|--------|--------------|--------------------------------------|
| 3..... | 1162 A ..... | CAP, GREASE ZERK #2                  |
| 2..... | 16749.....   | ZERK, GREASE 90° 1/4-28              |
| 3..... | 2621.....    | ZERK, GREASE                         |
| 2..... | 1477.....    | LOCTITE #242 BLUE .5CC BOTTLE        |
| 4..... | 2422.....    | BELT, B41                            |
| 1..... | W60137 ..... | OIL, 30WT SAE SPECIAL<br>MOTOR (GAL) |
| 2..... | 26265.....   | HOSE, HYD. 4-4MPX6FJ SWIVELX16"      |
| 1..... | 26266.....   | HOSE, HYD. 8-8MPX8FJ SWIVELX18"      |
| 2..... | 26269.....   | BELT, 4L-210 NAPA                    |

### WSHESPW(L)/(R) KIT

1 to 3 units

| Qty.   | P/N        | Description                     |
|--------|------------|---------------------------------|
| 2..... | 26265..... | HOSE, HYD. 4-4MPX6FJ SWIVELX16" |
| 1..... | 26266..... | HOSE, HYD. 8-8MPX8FJ SWIVELX18" |
| 2..... | 26269..... | BELT, 4L-210 NAPA               |

### WSHE VIBRATORY TRUSS SCREED WITH HONDA GX240U1QA2 8 HP GASOLINE ENGINE

1 to 3 units

| Qty.   | P/N             | Description          |
|--------|-----------------|----------------------|
| 2..... | 17210ZE2515...  | ELEMENT, AIR CLEANER |
| 2..... | 9807955846..... | SPARK PLUG           |
| 1..... | 17620Z4J020.... | FUEL CAP             |
| 1..... | 15600Z1C000...  | OIL GAUGE (DIPSTICK) |
| 1..... | 28462ZE2W11..   | ROPE, RECOIL STARTER |

### WSHE VIBRATORY TRUSS SCREED WITH HONDA GX270UT2QA2 9 HP GASOLINE ENGINE

1 to 3 units

| Qty.   | P/N             | Description          |
|--------|-----------------|----------------------|
| 2..... | 17210ZE2515...  | ELEMENT, AIR CLEANER |
| 2..... | 9807955846..... | SPARK PLUG           |
| 1..... | 17620Z4H020...  | FUEL CAP             |
| 1..... | 15600Z1C000...  | OIL GAUGE (DIPSTICK) |
| 1..... | 28462ZE2W11..   | ROPE, RECOIL STARTER |

### WSHE VIBRATORY TRUSS SCREED WITH HONDA GX340UT2QAP2 11 HP GASOLINE ENGINE

1 to 3 units

| Qty.   | P/N             | Description          |
|--------|-----------------|----------------------|
| 2..... | 17210ZE3505...  | ELEMENT, AIR CLEANER |
| 2..... | 9807955846..... | SPARK PLUG           |
| 1..... | 17620Z4H020...  | FUEL CAP             |
| 1..... | 15600Z1C000...  | OIL GAUGE (DIPSTICK) |
| 1..... | 28462ZV7003...  | ROPE, RECOIL STARTER |

### WSHA VIBRATORY TRUSS SCREED

1 to 3 units

| Qty.   | P/N        | Description                       |
|--------|------------|-----------------------------------|
| 2..... | 16073..... | VIBRATOR ASSY., AIR               |
| 2..... | 26131..... | HOSE, AIR ASSY. 1/4 X 24          |
| 1..... | 36428..... | HOSE, 200PSI 1" X 60" RED HORIZON |
| 1..... | 26142..... | OILER, 1" SCH-B MB3-08L54BCSB     |

### WSHAIC INVERT/CROWN KIT

1 to 3 units

| Qty.   | P/N        | Description   |
|--------|------------|---------------|
| 1..... | 26904..... | HOSE, 100R4 1 |

### WSHAEXT6/12/18 END HANDLE EXTENSION KIT

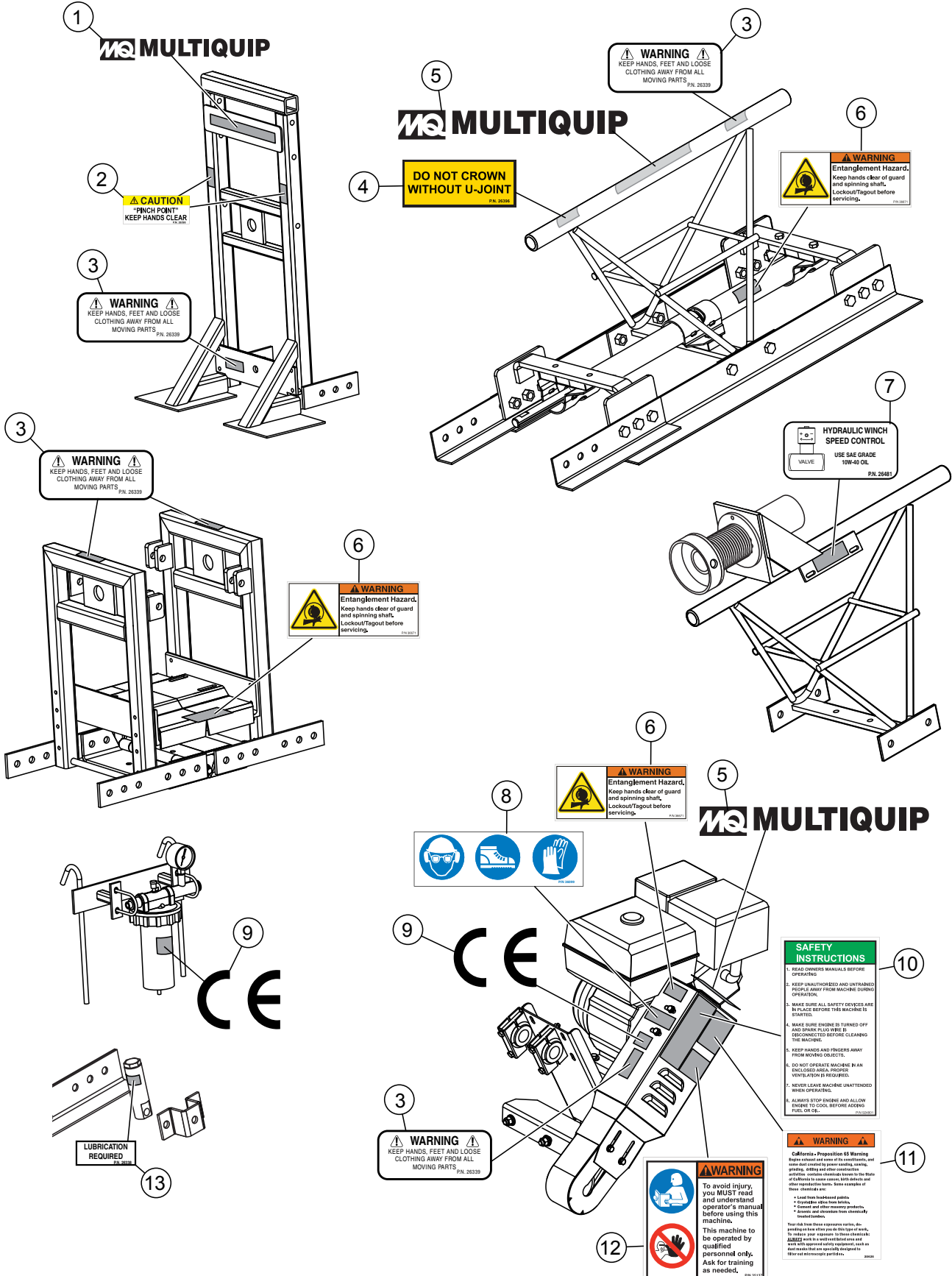
1 to 3 units

| Qty.   | P/N        | Description              |
|--------|------------|--------------------------|
| 2..... | 26399..... | HOSE, AIR ASSY. 1/4 X 36 |

#### NOTICE

Part numbers on this Suggested Spare Parts list may supersede/replace the part numbers shown in the following parts lists.

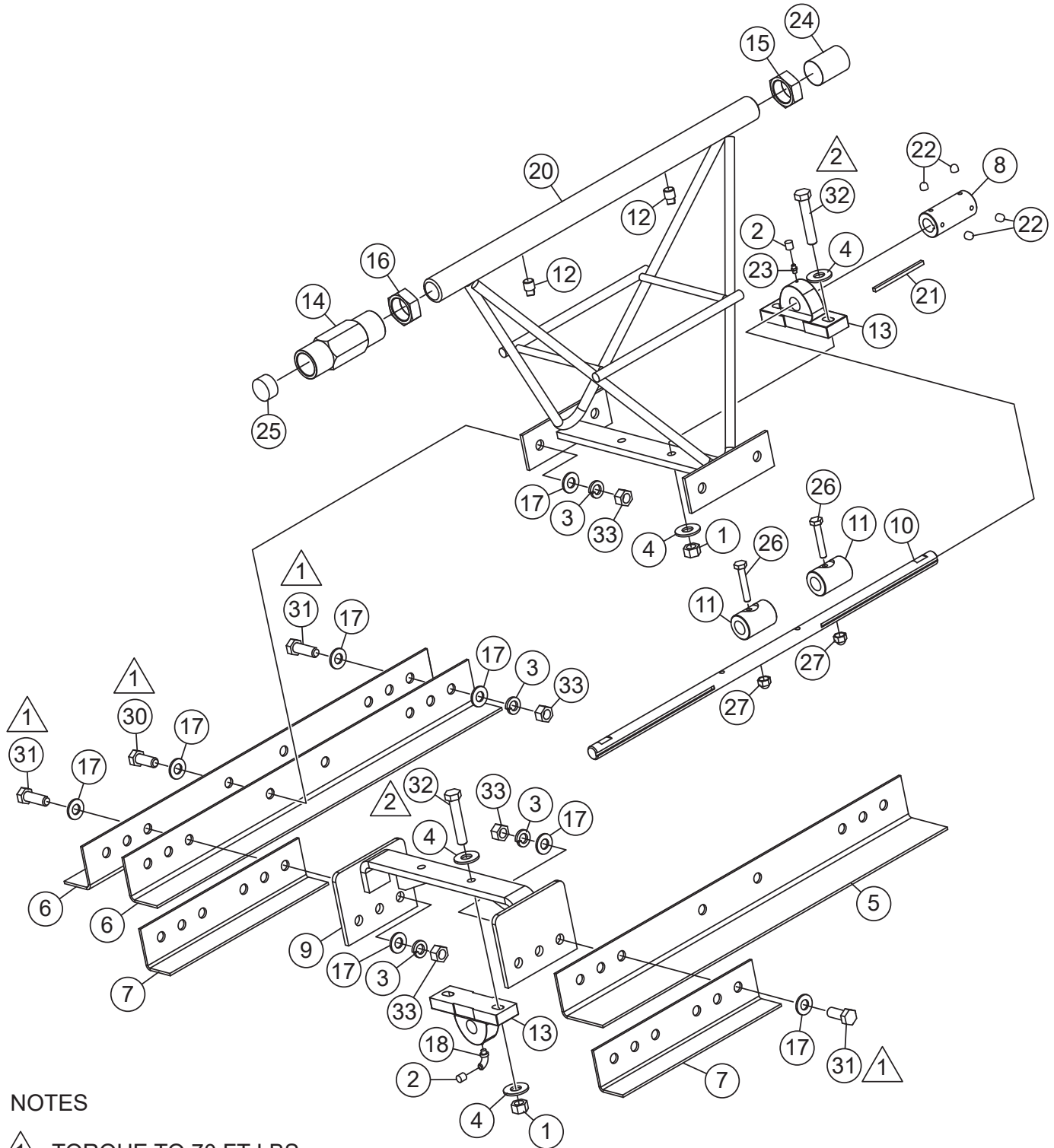
# NAMEPLATE AND DECALS



## NAMEPLATE AND DECALS

| <u>NO.</u> | <u>PART NO.</u> | <u>PART NAME</u>                         | <u>QTY.</u> | <u>REMARKS</u>  |
|------------|-----------------|--|-------------|-----------------|
| 1          | 36184           | DECAL, "MULTIQUIP"                       | 2           |                 |
| 2          | 26395           | DECAL, PINCH POINTS                      | 4           |                 |
| 3          | 26339           | DECAL, MOVING PARTS                      | AR          |                 |
| 4          | 26396           | DECAL, DO NOT CROWN                      | AR          |                 |
| 5          | 20816           | DECAL, GUARD RING, MQ MULTIQUIP, .75 X 6 | AR          |                 |
| 6          | 36671           | DECAL, ENTANGLEMENT DANGER.....          | AR.....     | WSHE UNITS ONLY |
| 7          | 26481           | DECAL, WINCH SPEED CONTROL .....         | 1 .....     | WSHE UNITS ONLY |
| 8          | 36099           | DECAL, PROTECTIVE CLOTHING               | 1           |                 |
| 9          | 11092           | DECAL, CE                                | AR          |                 |
| 10         | 924801          | DECAL, SAFETY INSTRUCTION.....           | 1 .....     | WSHE UNITS ONLY |
| 11         | 20525           | DECAL, WARNING "PROP 65" .....           | 1 .....     | WSHE UNITS ONLY |
| 12         | 35137           | DECAL, READ MANUAL ASK FOR TRAINING      | 1           |                 |
| 13         | 26338           | DECAL, LUBRICATION REQUIRED .....        | AR.....     | WSHA UNITS ONLY |

# WSHE20 SECTION ASSY.



## NOTES

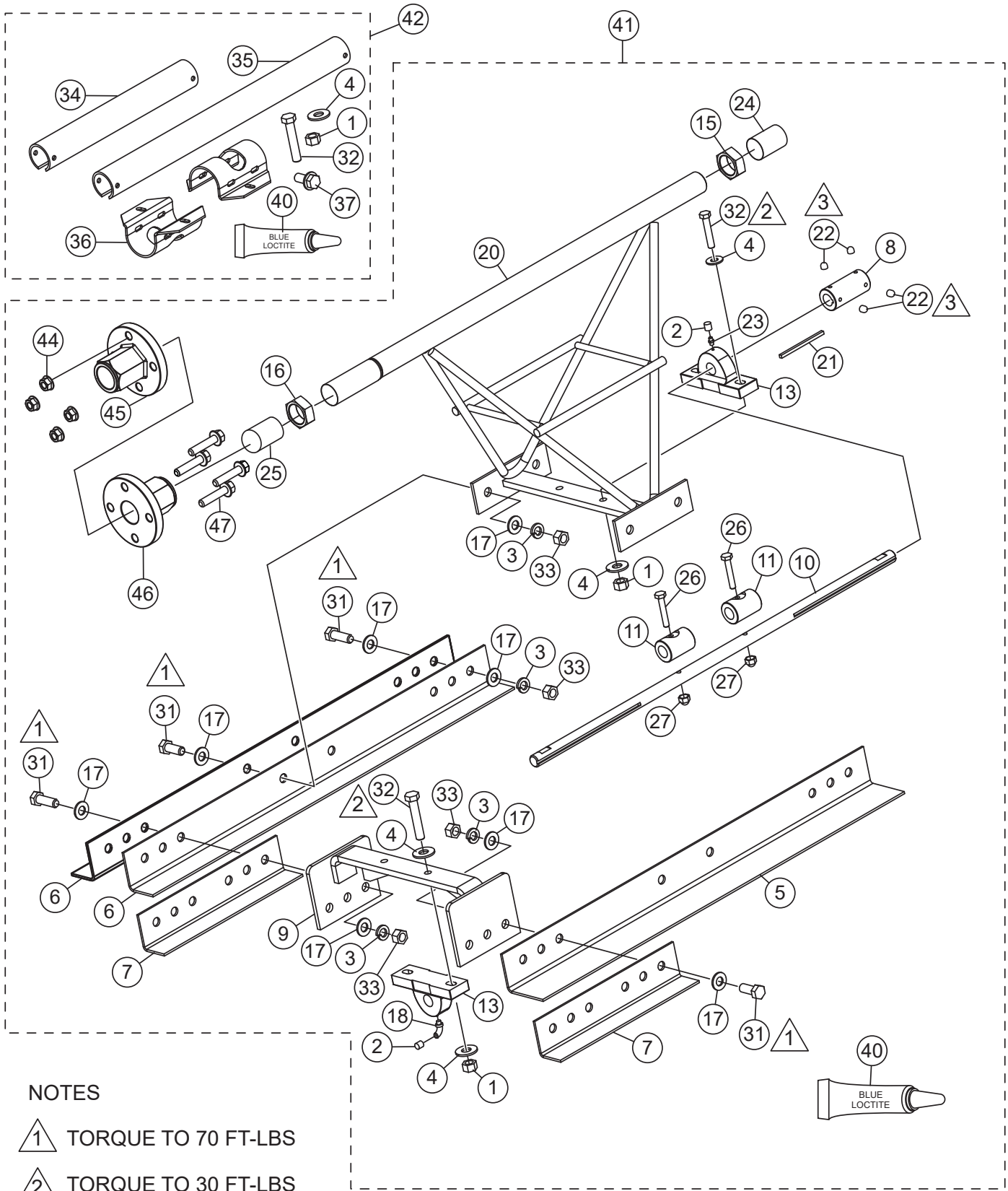
1 TORQUE TO 70 FT-LBS

2 TORQUE TO 30 FT-LBS

## WSHE20 SECTION ASSY.

| <u>NO.</u> | <u>PART NO.</u> | <u>PART NAME</u>                    | <u>QTY.</u> | <u>REMARKS</u>        |
|------------|-----------------|-------------------------------------|-------------|-----------------------|
| 1          | 10133           | NUT, NYLOC 3/8"-16                  | 4           |                       |
| 2          | 1162 A          | CAP, GREASE ZERK #2                 | 2           |                       |
| 3          | 12220           | WASHER, LOCK 1/2" HIGH STRENGTH     | 16          |                       |
| 4          | 13351           | WASHER, FLAT 3/8" PLTD. USS HEAVY   | 8           |                       |
| 5          | 26058           | BLADE, 2' X 3W                      | 1           |                       |
| 6          | 26059           | BLADE, 2' X 2W                      | 2           |                       |
| 7          | 16126           | ANGLE, BLADE CONNECTOR              | 2           |                       |
| 8          | 16141           | COUPLER, DRIVE SHAFT                | 1           |                       |
| 9          | 16170           | BRACKET, BEARING MOUNT              | 1           |                       |
| 10         | 26076           | SHAFT, DRIVE 2'                     | 1           |                       |
| 11         | 16179           | WEIGHT, SHAFT VIBRATION             | 2           |                       |
| 12         | 16185           | FITTING, PLUG 1/4" MP SQ. HEAD      | 2           |                       |
| 13         | 16194           | BEARING, PILLOW BLOCK               | 2           |                       |
| 14         | 16514           | TURNBUCKLE 1-5/16-16                | 1           |                       |
| 15         | 16515           | NUT, JAM 1-5/16-16 RIGHT HAND       | 1           |                       |
| 16         | 16516           | NUT, JAM 1-5/16-16 LEFT HAND        | 1           |                       |
| 17         | 16630           | WASHER, FLAT SAE 1/2" HIGH STRENGTH | 32          |                       |
| 18         | 16749           | ZERK, GREASE 90° 1/4"-28            | 1           |                       |
| 20         |                 | FRAME, STEEL 2' .....               | 1           | NO LONGER AVAILABLE   |
| 21         | 26093           | KEY, .1875 SQ. X 3.5" 304 SS        | 1           |                       |
| 22         | 26091           | SCREW, SHS 1/4-28 X 1/4"            | 4           |                       |
| 23         | 2621            | ZERK, GREASE .....                  | 2           | INCLUDED WITH ITEM 13 |
| 24         | 26199           | CAP, PIPE CAP LUGS RCL-16           | 1           |                       |
| 25         | 26205           | CAP, TURNBUCKLE CAP PLUGS 14-X      | 1           |                       |
| 26         | 26251           | SCREW, HHC 1/4-20 X 1-1/2" GRD8     | 2           |                       |
| 27         | 26252           | NUT, NYLOC 1/4-20 GRD8              | 2           |                       |
| 30         | 3214            | SCREW, HHC 1/2-13 X 1-1/4"          | 4           |                       |
| 31         | 5218            | SCREW, HHC 1/2-13 X 1-1/2"          | 12          |                       |
| 32         | 1665            | SCREW, HHC 3/8-16 X 2" .....        | 4           | REPLACES P/N 9154     |
| 33         | 968011          | NUT, HEX FINISH 1/2"-13             | 16          |                       |

# WSHE25 AND HEAVY-DUTY SECTION ASSY.



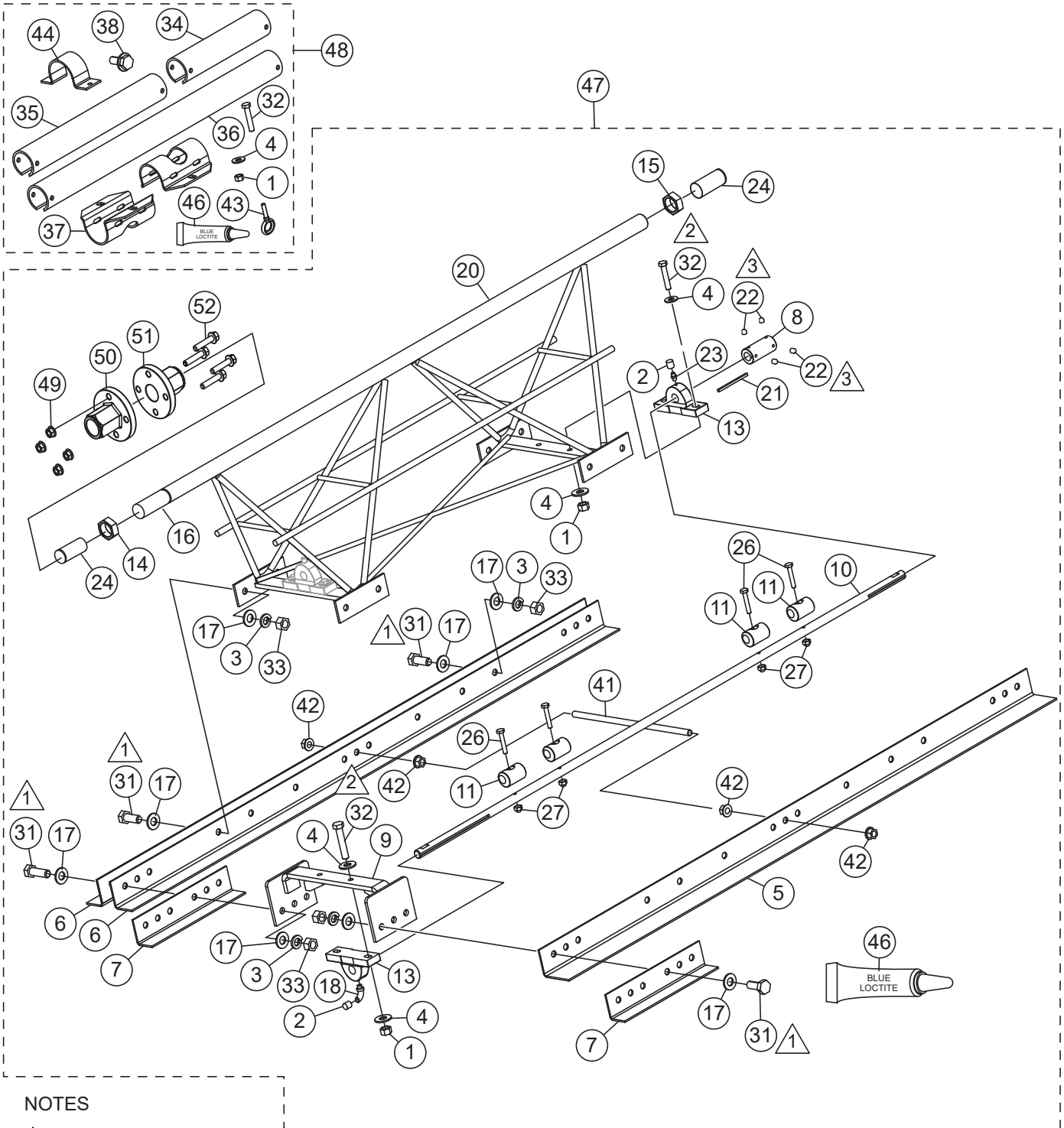
## NOTES

- 1 TORQUE TO 70 FT-LBS
- 2 TORQUE TO 30 FT-LBS
- 3 APPLY LOCTITE #242 BLUE

## WSHE25 AND HEAVY-DUTY SECTION ASSY.

| <u>NO.</u> | <u>PART NO.</u> | <u>PART NAME</u>                      | <u>QTY.</u> | <u>REMARKS</u>                                  |
|------------|-----------------|---------------------------------------|-------------|---|
| 1@%        | 10133           | NUT, NYLOC 3/8"-16                    | 4           |   |
| 2@         | 1162 A          | CAP, GREASE ZERK #2                   | 2           |   |
| 3@         | 12220           | WASHER, LOCK 1/2" HIGH STRENGTH       | 16          |   |
| 4@%        | 13351           | WASHER, FLAT 3/8" PLTD. USS HEAVY     | 8           |   |
| 5@         | 16106           | BLADE, 2-1/2' X 3W                    | 1           |   |
| 6@         | 16110           | BLADE, 2-1/2' X 2W                    | 2           |   |
| 7@         | 16126           | ANGLE, BLADE CONNECTOR                | 2           |   |
| 8@         | 46215           | COUPLER, DRIVE SHAFT                  | 1           |   |
| 9@         | 16170           | BRACKET, BEARING MOUNT                | 1           |   |
| 10@        | 16175           | SHAFT, DRIVE 2.5'                     | 1           |   |
| 11@        | 16179           | WEIGHT, SHAFT VIBRATION               | 2           |   |
| 13@        | 16194           | BEARING, PILLOW BLOCK                 | 2           |   |
| 15@        | 16515           | NUT, JAM 1-5/16-16 RIGHT HAND         | 1           |   |
| 16@        | 16516           | NUT, JAM 1-5/16-16 LEFT HAND          | 1           |   |
| 17@        | 16630           | WASHER, FLAT SAE 1/2" HIGH STRENGTH   | 32          |   |
| 18@        | 16749           | ZERK, GREASE 90° 1/4"-28              | 1           |   |
| 20@        | 26045           | FRAME, STEEL 2-1/2'                   | 1           |   |
| 21@        | 26093           | KEY, .1875 SQ. X 3.5" 304 SS          | 1           |   |
| 22@        | 46242           | SCREW, SHS CP 5/16-24 X 1/4"          | 4           |   |
| 23@        | 2621            | ZERK, GREASE .....                    | 2.....      | INCLUDED WITH ITEM 13                           |
| 24@        | 26199           | CAP, PIPE CAP LUGS RCL-16             | 1           |   |
| 26@        | 26251           | SCREW, HHC 1/4-20 X 1-1/2" GRD8       | 2           |   |
| 27@        | 26252           | NUT, NYLOC 1/4"-20 GRD8               | 2           |   |
| 31@        | 5218            | SCREW, HHC 1/2-13 X 1-1/2"            | 16          |   |
| 32%        | 1665            | SCREW, HHC 3/8-16 X 2" .....          | 4.....      | REPLACES P/N 9154                               |
| 33@        | 968011          | NUT, HEX FINISH 1/2"-13               | 16          |   |
| 34%        | 36602           | TUBE ASSY., 10.5"                     | 1           |   |
| 35%        | 36604           | TUBE ASSY., 16.5"                     | 1           |   |
| 36%        | 36589           | MOUNT, TUBE                           | 2           |   |
| 37%        | 49048           | SCREW, HHFS 1/4"-20 X .75             | 8           |   |
| 40@%       | 1477            | LOCTITE #242 BLUE .5CC BOTTLE         | 1           |   |
| 41         | MSHE25          | SCREED, ENGINE 2.5' SECTION ASSY..... | 1.....      | INCLUDES ITEMS W/@<br>REPLACES P/N WSHE25       |
| 42         | 36580           | WSHE25 CE KIT.....                    | 1.....      | INCLUDES ITEMS W/%<br>NOT FOR HEAVY-DUTY MODELS |
| 44@        | 46272           | NUT, FLANGED 3/8"-16                  | 4           |   |
| 45@        | 46265           | TURNBUCKLE, LH-SCREED                 | 1           |   |
| 46@        | 46266           | TURNBUCKLE, RH-SCREED                 | 1           |   |
| 47@        | 46271           | SCREW, HHF 3/8-16 X 1-3/4"            | 4           |   |

# WSHE50 AND HEAVY-DUTY SECTION ASSY.



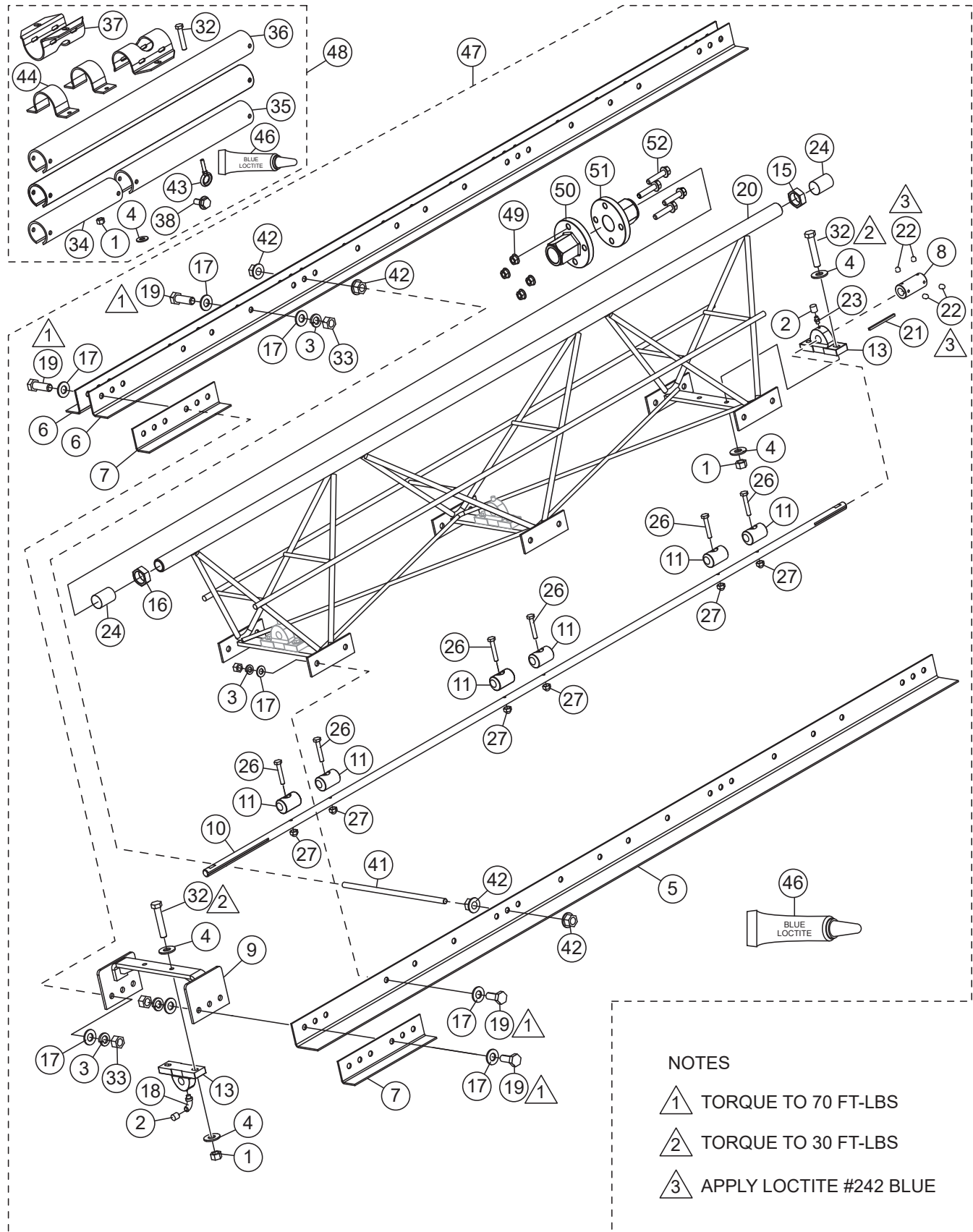
## NOTES

- ① TORQUE TO 70 FT-LBS
- ② TORQUE TO 30 FT-LBS
- ③ APPLY LOCTITE #242 BLUE

## WSHE50 AND HEAVY-DUTY SECTION ASSY.

| <u>NO.</u> | <u>PART NO.</u> | <u>PART NAME</u>                    | <u>QTY.</u> | <u>REMARKS</u>                                  |
|------------|-----------------|-------------------------------------|-------------|---|
| 1@%        | 10133           | NUT, NYLOC 3/8"-16                  | 6           |   |
| 2@         | 1162 A          | CAP, GREASE ZERK #2                 | 3           |   |
| 3@         | 12220           | WASHER, LOCK 1/2" HIGH STRENGTH     | 22          |   |
| 4@%        | 13351           | WASHER, FLAT 3/8" PLTD. USS HEAVY   | 12          |   |
| 5@         | 16107           | BLADE, 5' X 3W                      | 1           |   |
| 6@         | 16111           | BLADE, 5' X 2W                      | 2           |   |
| 7@         | 16126           | ANGLE, BLADE CONNECTOR              | 2           |   |
| 8@         | 46215           | COUPLER, DRIVE SHAFT                | 1           |   |
| 9@         | 16170           | BRACKET, BEARING MOUNT              | 1           |   |
| 10@        | 16176           | SHAFT, DRIVE 59-3/4"                | 1           |   |
| 11@        | 16179           | WEIGHT, SHAFT VIBRATION             | 4           |   |
| 13@        | 16194           | BEARING, PILLOW BLOCK               | 3           |   |
| 15@        | 16515           | NUT, JAM 1-5/16-16 RIGHT HAND       | 1           |   |
| 16@        | 16516           | NUT, JAM 1-5/16-16 LEFT HAND        | 1           |   |
| 17@        | 16630           | WASHER, FLAT SAE 1/2" HIGH STRENGTH | 44          |   |
| 18@        | 16749           | ZERK, GREASE 90° 1/4"-28            | 1           |   |
| 20@        | 26047           | FRAME, STEEL 5'                     | 1           |   |
| 21@        | 26093           | KEY, .1875 SQ. X 3.5" 304 SS        | 1           |   |
| 22@        | 46242           | SCREW, SHS CP 5/16-24 X 1/4"        | 4           |   |
| 23@        | 2621            | ZERK, GREASE .....                  | 2           | INCLUDED WITH ITEM 13                           |
| 24@        | 26199           | CAP, PIPE CAPPLUGS RCL-16           | 2           |   |
| 26@        | 26251           | SCREW, HHC 1/4-20 X 1-1/2" GRD8     | 4           |   |
| 27@        | 26252           | NUT, NYLOC 1/4"-20 GRD8             | 4           |   |
| 31@        | 5218            | SCREW, HHC 1/2-13 X 1-1/2"          | 22          |   |
| 32%        | 1665            | SCREW, HHC 3/8-16 X 2" .....        | 6           | REPLACES P/N 9154                               |
| 33@        | 968011          | NUT, HEX FINISH 1/2"-13             | 22          |   |
| 34%        | 36602           | TUBE ASSY., 10.5"                   | 1           |   |
| 35%        | 36604           | TUBE ASSY., 16.5"                   | 1           |   |
| 36%        | 36606           | TUBE ASSY., 28.5"                   | 1           |   |
| 37%        | 36589           | MOUNT, TUBE                         | 2           |   |
| 38%        | 49048           | SCREW, HHFS 1/4"-20 X .75           | 12          |   |
| 41@        | 26073           | STUD, 1/2-NC X 14" LG               | 1           |   |
| 42@        | 26328           | NUT, FLANGED .5                     | 4           |   |
| 43%        | 36597           | BOLT, EYE 1/4 X 2.0"                | 1           |   |
| 44%        | 36595           | STRAP, TUBE                         | 1           |   |
| 46@%       | 1477            | LOCTITE #242 BLUE .5CC BOTTLE       | 1           |   |
| 47         | WSHE50          | SCREED, ENGINE 5' SECTION ASSY..... | 1           | INCLUDES ITEMS W/@<br>REPLACES P/N WSHE50       |
| 48         | 36581           | WSHE50 CE KIT.....                  | 1           | INCLUDES ITEMS W/@<br>NOT FOR HEAVY-DUTY MODELS |
| 49@        | 46272           | NUT, FLANGED 3/8"-16                | 4           |   |
| 50@        | 46265           | TURNBUCKLE, LH-SCREED               | 1           |   |
| 51@        | 46266           | TURNBUCKLE, RH-SCREED               | 1           |   |
| 52@        | 46271           | SCREW, HHF 3/8-16 X 1-3/4"          | 4           |   |

# WSHE75 AND HEAVY-DUTY SECTION ASSY.



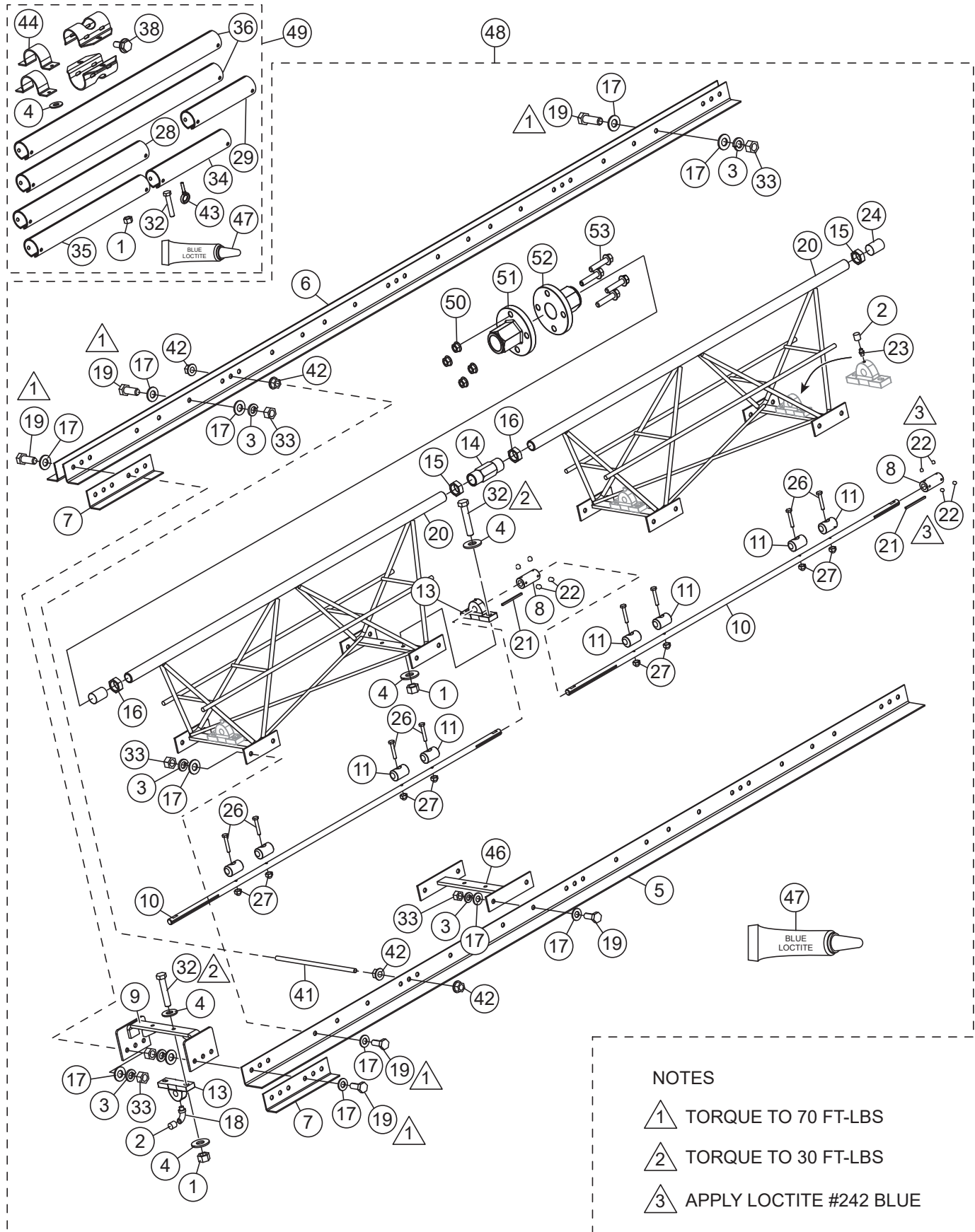
## NOTES

- △ 1 TORQUE TO 70 FT-LBS
- △ 2 TORQUE TO 30 FT-LBS
- △ 3 APPLY LOCTITE #242 BLUE

## WSHE75 AND HEAVY-DUTY SECTION ASSY.

| <u>NO.</u> | <u>PART NO.</u> | <u>PART NAME</u>                      | <u>QTY.</u> | <u>REMARKS</u>                                  |
|------------|-----------------|---------------------------------------|-------------|---|
| 1@%        | 10133           | NUT, NYLOC 3/8"-16                    | 8           |   |
| 2@         | 1162 A          | CAP, GREASE ZERK #2                   | 4           |   |
| 3@         | 12220           | WASHER, LOCK 1/2" HIGH STRENGTH       | 28          |   |
| 4@%        | 13351           | WASHER, FLAT 3/8" PLTD. USS HEAVY     | 16          |   |
| 5@         | 16108           | BLADE, 7.5' X 3W                      | 1           |   |
| 6@         | 16112           | BLADE, 7.5' X 2W                      | 2           |   |
| 7@         | 16126           | ANGLE, BLADE CONNECTOR                | 2           |   |
| 8@         | 46215           | COUPLER, DRIVE SHAFT                  | 1           |   |
| 9@         | 16170           | BRACKET, BEARING MOUNT                | 1           |   |
| 10@        | 16177           | SHAFT, DRIVE 7.5'                     | 1           |   |
| 11@        | 16179           | WEIGHT, SHAFT VIBRATION               | 6           |   |
| 13@        | 16194           | BEARING, PILLOW BLOCK                 | 4           |   |
| 15@        | 16515           | NUT, JAM 1-5/16-16 RIGHT HAND         | 1           |   |
| 16@        | 16516           | NUT, JAM 1-5/16-16 LEFT HAND          | 1           |   |
| 17@        | 16630           | WASHER, FLAT SAE 1/2" HIGH STRENGTH   | 56          |   |
| 18@        | 16749           | ZERK, GREASE 90° 1/4"-28              | 1           |   |
| 19@        | 5218            | SCREW, HHC 1/2-13 X 1-1/2"            | 28          |   |
| 20@        | 26049           | FRAME, STEEL 7.5'                     | 1           |   |
| 21@        | 26093           | KEY, .1875 SQ. X 3.5" 304 SS          | 1           |   |
| 22@        | 46242           | SCREW, SHS CP 5/16-24 X 1/4"          | 4           |   |
| 23@        | 2621            | ZERK, GREASE .....                    | 4           | INCLUDED WITH ITEM 13                           |
| 24@        | 26199           | CAP, PIPE CAP LUGS RCL-16             | 1           |   |
| 26@        | 26251           | SCREW, HHC 1/4-20 X 1-1/2" GRD8       | 6           |   |
| 27@        | 26252           | NUT, NYLOC 1/4"-20 GRD8               | 6           |   |
| 32@%       | 1665            | SCREW, HHC 3/8-16 X 2" .....          | 8           | REPLACES P/N 9154                               |
| 33@        | 968011          | NUT, HEX FINISH 1/2"-13               | 28          |   |
| 34%        | 36602           | TUBE ASSY., 10.5"                     | 1           |   |
| 35%        | 36604           | TUBE ASSY., 16.5"                     | 1           |   |
| 36%        | 36606           | TUBE ASSY., 28.5"                     | 2           |   |
| 37%        | 36589           | MOUNT, TUBE                           | 4           |   |
| 38@%       | 49048           | SCREW, HHFS 1/4"-20 X .75             | 16          |   |
| 41@        | 26073           | STUD, 1/2-NC X 14" LG                 | 2           |   |
| 42@        | 26328           | NUT, FLANGED .5                       | 8           |   |
| 43%        | 36597           | BOLT, EYE 1/4 X 2.0"                  | 4           |   |
| 44%        | 36595           | STRAP, TUBE                           | 2           |   |
| 45%        | 10024           | NUT, NYLOC 1/4"-20                    | 4           |   |
| 46@%       | 1477            | LOCTITE #242 BLUE .5CC BOTTLE         | 1           |   |
| 47         | MSHE75          | SCREED, ENGINE 7.5' SECTION ASSY..... | 1           | INCLUDES ITEMS W/@<br>REPLACES P/N WSHE75       |
| 48         | 36582           | WSHE75 CE KIT.....                    | 1           | INCLUDES ITEMS W/@<br>NOT FOR HEAVY-DUTY MODELS |
| 49@        | 46272           | NUT, FLANGED 3/8"-16                  | 4           |   |
| 50@        | 46265           | TURNBUCKLE, LH-SCREED                 | 1           |   |
| 51@        | 46266           | TURNBUCKLE, RH-SCREED                 | 1           |   |
| 52@        | 46271           | SCREW, HHF 3/8-16 X 1-3/4"            | 4           |   |

# WSHE100 AND HEAVY-DUTY SECTION ASSY.



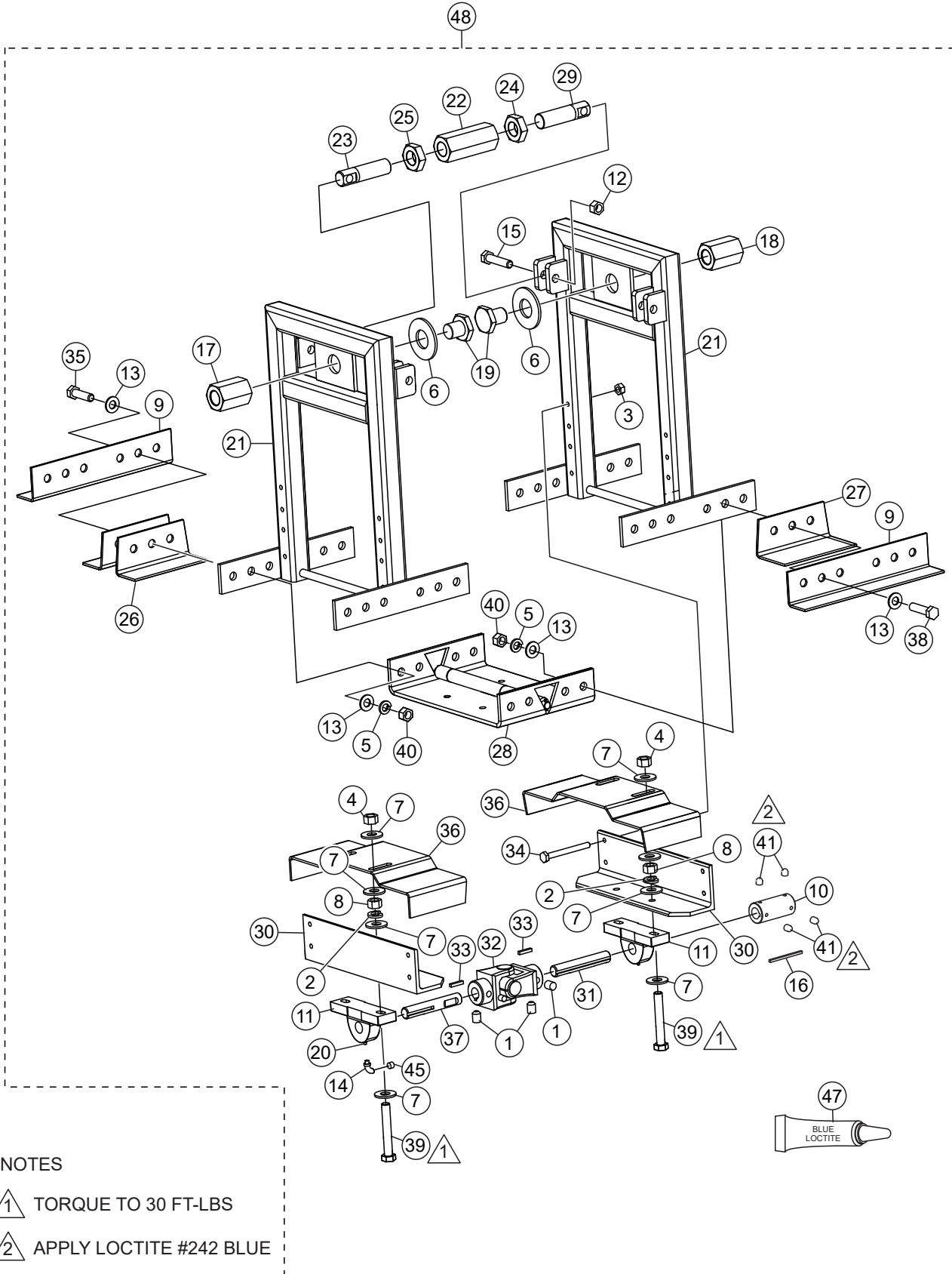
## NOTES

- ▲ 1 TORQUE TO 70 FT-LBS
- ▲ 2 TORQUE TO 30 FT-LBS
- ▲ 3 APPLY LOCTITE #242 BLUE

## WSHE100 AND HEAVY-DUTY SECTION ASSY.

| <u>NO.</u> | <u>PART NO.</u> | <u>PART NAME</u>                     | <u>QTY.</u> | <u>REMARKS</u>                                  |
|------------|-----------------|--------------------------------------|-------------|---|
| 1@%        | 10133           | NUT, NYLOC 3/8"-16                   | 12          |   |
| 2@         | 1162 A          | CAP, GREASE ZERK #2                  | 6           |   |
| 3@         | 12220           | WASHER, LOCK 1/2" HIGH STRENGTH      | 38          |   |
| 4@%        | 13351           | WASHER, FLAT 3/8" PLTD. USS HEAVY    | 24          |   |
| 5@         | 16109           | BLADE, 10' X 3W                      | 1           |   |
| 6@         | 16113           | BLADE, 10' X 2W                      | 2           |   |
| 7@         | 16126           | ANGLE, BLADE CONNECTOR               | 2           |   |
| 8@         | 46215           | COUPLER, DRIVE SHAFT                 | 2           |   |
| 9@         | 16170           | BRACKET, BEARING MOUNT               | 1           |   |
| 10@        | 16176           | SHAFT, DRIVE 59-3/4"                 | 2           |   |
| 11@        | 16179           | WEIGHT, SHAFT VIBRATION              | 8           |   |
| 13@        | 16194           | BEARING, PILLOW BLOCK                | 6           |   |
| 14@        | 16514           | TURNBUCKLE 1-5/16-16                 | 1           |   |
| 15@        | 16515           | NUT, JAM 1-5/16-16 RIGHT HAND        | 2           |   |
| 16@        | 16516           | NUT, JAM 1-5/16-16 LEFT HAND         | 2           |   |
| 17@        | 16630           | WASHER, FLAT SAE 1/2" HIGH STRENGTH  | 76          |   |
| 18@        | 16749           | ZERK, GREASE 90° 1/4"-28             | 1           |   |
| 19@        | 5218            | SCREW, HHC 1/2-13 X 1-1/2"           | 38          |   |
| 20@        | 26047           | FRAME, STEEL 5'                      | 2           |   |
| 21@        | 26093           | KEY, .1875 SQ. X 3.5" 304 SS         | 2           |   |
| 22@%       | 46242           | SCREW, SHS CP 5/16-24 X 1/4"         | 8           |   |
| 23@        | 2621            | ZERK, GREASE .....                   | 5           | INCLUDED WITH ITEM 13                           |
| 24@        | 26199           | CAP, PIPE CAPPLUGS RCL-16            | 2           |   |
| 26@        | 26251           | SCREW, HHC 1/4-20 X 1-1/2" GRD8      | 8           |   |
| 27@        | 26252           | NUT, NYLOC 1/4"-20 GRD8              | 8           |   |
| 28%        | 36605           | TUBE ASSY., 18.0"                    | 1           |   |
| 29%        | 36601           | TUBE ASSY., 9.0"                     | 1           |   |
| 32@%       | 1665            | SCREW, HHC 3/8-16 X 2" .....         | 12          | REPLACES P/N 9154                               |
| 33@        | 968011          | NUT, HEX FINISH 1/2"-13              | 38          |   |
| 34%        | 36602           | TUBE ASSY., 10.5"                    | 1           |   |
| 35%        | 36604           | TUBE ASSY., 16.5"                    | 1           |   |
| 36%        | 36606           | TUBE ASSY., 28.5"                    | 2           |   |
| 37%        | 36589           | MOUNT, TUBE                          | 6           |   |
| 38%        | 49048           | SCREW, HHFS 1/4"-20 X .75            | 24          |   |
| 41@        | 26073           | STUD, 1/2-NC X 14" LG                | 2           |   |
| 42@        | 26328           | NUT, FLANGED .5                      | 8           |   |
| 43%        | 36597           | BOLT, EYE 1/4 X 2.0"                 | 4           |   |
| 44%        | 36595           | STRAP, TUBE                          | 2           |   |
| 46@        | 26075           | MOUNT, BEARING 10' SECTION           | 1           |   |
| 47@%       | 1477            | LOCTITE #242 BLUE .5CC BOTTLE        | 1           |   |
| 48         | WSHE100         | SCREED, ENGINE 10' SECTION ASSY..... | 1           | INCLUDES ITEMS W/@<br>NO LONGER AVAILABLE       |
| 49         | 36583           | WSHE100 CE KIT.....                  | 1           | INCLUDES ITEMS W/@<br>NOT FOR HEAVY-DUTY MODELS |
| 50         | 46272           | NUT, FLANGED 3/8"-16                 | 4           |   |
| 51         | 46265           | TURNBUCKLE, LH-SCREED                | 1           |   |
| 52         | 46266           | TURNBUCKLE, RH-SCREED                | 1           |   |
| 53         | 46271           | SCREW, HHF 3/8-16 X 1-3/4"           | 4           |   |

# WSHEIC INVERT/CROWN KIT ASSY.



**NOTES**

- 1 TORQUE TO 30 FT-LBS
- 2 APPLY LOCTITE #242 BLUE

## WSHEIC INVERT/CROWN KIT ASSY.

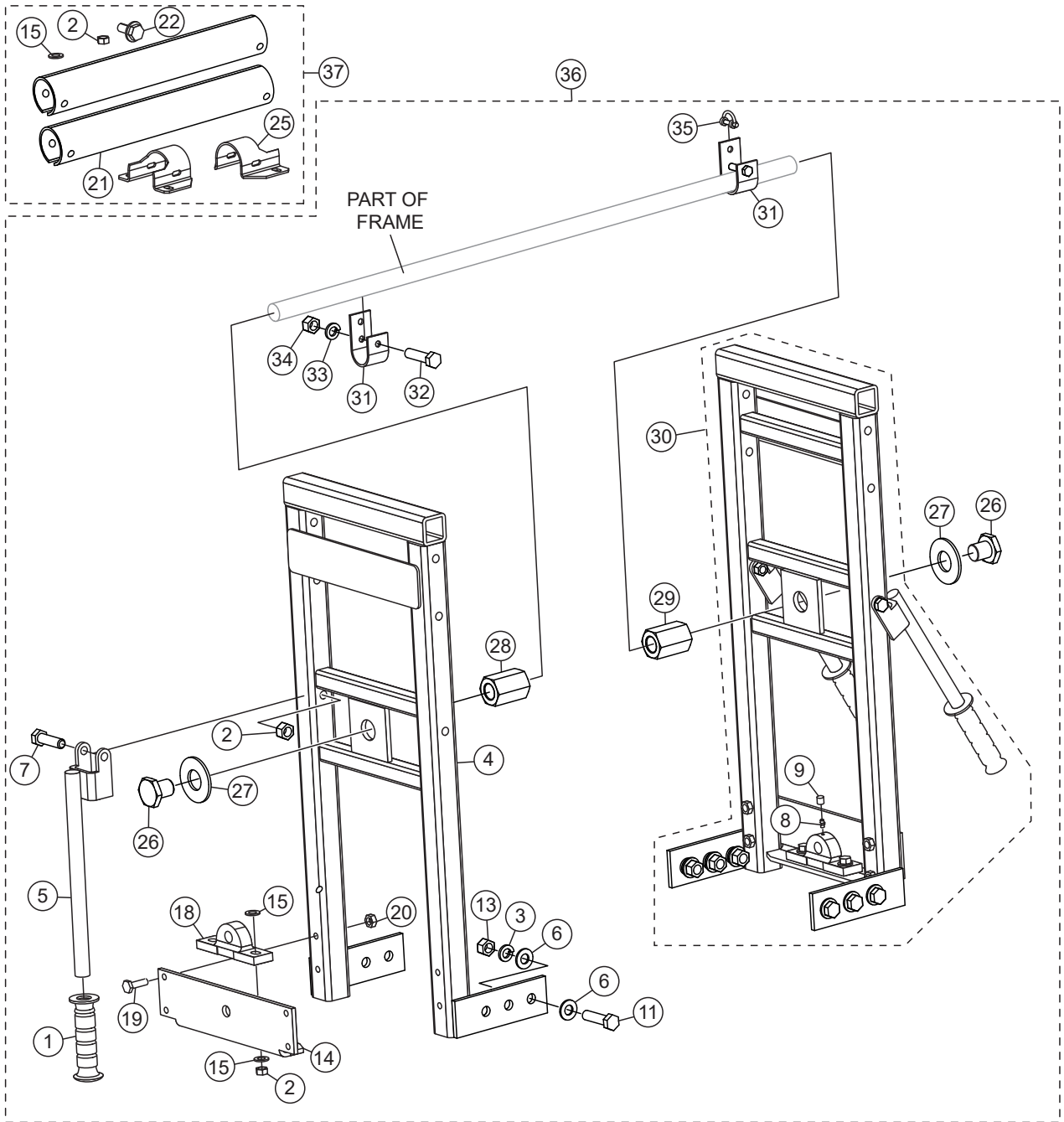
| <u>NO.</u> | <u>PART NO.</u> | <u>PART NAME</u>                  | <u>QTY.</u> | <u>REMARKS</u>          |
|------------|-----------------|-----------------------------------|-------------|-------------------------|
| 1@         | 0122 C          | SCREW, SHS 3/8"-16 X 1/2"         | 4           |                         |
| 2@         | 0166 A          | WASHER, LOCK 3/8" MED.            | 4           |                         |
| 3@         | 10024           | NUT, NYLOC 1/4"-20                | 8           |                         |
| 4@         | 10133           | NUT, NYLOC 3/8"-16                | 4           |                         |
| 5@         | 12220           | WASHER, LOCK 1/2" HIGH STRENGTH   | 18          |                         |
| 6@         | 13108           | WASHER, FLAT 1-1/8" USS           | 2           |                         |
| 7@         | 13351           | WASHER, FLAT 3/8" PLTD. USS HEAVY | 16          |                         |
| 8@         | 1456            | NUT, HEX FINISH 3/8"-16           | 4           |                         |
| 9@         | 16126           | ANGLE, BLADE CONNECTOR            | 4           |                         |
| 10@        | 46215           | COUPLER, DRIVE SHAFT              | 1           |                         |
| 11@        | 16194           | BEARING, PILLOW BLOCK             | 2           |                         |
| 12@        | 16629           | NUT, NYLOC 1/2"-13                | 4           |                         |
| 13@        | 16630           | WASHER, FLAT 1/2" SAE HARDENED    | 36          |                         |
| 14@        | 16749           | ZERK, GREASE 90° 1/4"-28          | 2           |                         |
| 15@        | 16781           | SCREW, HHC 1/2-13 X 2-1/4"        | 4           |                         |
| 16@        | 26093           | KEY, 3/16 SQ. X 3-1/2"            | 1           |                         |
| 17@        | 26098           | ADAPTER, STABILIZER END R/H       | 1           |                         |
| 18@        | 26099           | ADAPTER, STABILIZER END L/H       | 1           |                         |
| 19@        | 26100           | BOLT, 1.0-14 X 1.25 UNS-2A THREAD | 2           |                         |
| 21@        | 26347           | INVERT, CROWN TOWER               | 2           |                         |
| 22@        | 26350           | TURNBUCKLE, INVERT/CROWN          | 2           |                         |
| 23@        | 26352           | ROD, RH TURNBUCKLE                | 2           |                         |
| 24@        | 26353           | NUT, JAM LH 1-14                  | 2           |                         |
| 25@        | 26354           | NUT, JAM RH 1-14                  | 2           |                         |
| 26@        | 26355           | BLADE, SECTION-FRONT              | 4           |                         |
| 27@        | 26356           | BLADE, SECTION-BACK               | 2           |                         |
| 28@        | 26361           | HINGE, INVERT/CROWN               | 1           |                         |
| 29@        | 26364           | ROD, LH TURNBUCKLE                | 2           |                         |
| 30@        | 26380           | MOUNT, INVERT/CROWN BEARING       | 2           |                         |
| 31@        | 36632           | SHAFT, STUB-2 KEYWAY              | 1           |                         |
| 32@        | 26383           | JOINT, UNIVERSAL 3/4" DIA.        | 1           |                         |
| 33@        | 26384           | KEY, 3/16 SQ. X 1"                | 2           |                         |
| 34@        | 26385           | SCREW, HHC 1/4-20 X 2-1/4" GRD8   | 8           |                         |
| 35@        | 3242            | SCREW, HHC 1/2-13 X 1-3/4"        | 10          |                         |
| 36@        | 36257           | GUARD, SHAFT, WSHEIC              | 2           |                         |
| 37@        | 26382           | SHAFT, STUB-INVERT/CROWN          | 1           |                         |
| 38@        | 6159 A          | SCREW, HHC 1/2-13 X 2"            | 8           |                         |
| 39@        | 36690           | SCREW, HHC 3/8-16 X 2-1/2" TAP    | 4           |                         |
| 40@        | 968011          | NUT, HEX FINISH 1/2"-13           | 18          |                         |
| 41@        | 46242           | SCREW, SHS CP 5/16-24 X 1/4"      | 4           |                         |
| 45@        | 1162 A          | CAP, GREASE ZERK #2               | 2           |                         |
| 47@        | 1477            | LOCTITE #242 BLUE .5CC BOTTLE     | 1           |                         |
| 48         | WSHEIC          | INVERT/CROWN KIT, WSHEIC.....     | 1           | .....INCLUDES ITEMS W/@ |



## WSHEKITUJ ASSY.

| <u>NO.</u> | <u>PART NO.</u> | <u>PART NAME</u>                  | <u>QTY.</u> | <u>REMARKS</u>   |
|------------|-----------------|-----------------------------------|-------------|--|
| 1%         | 0122 C          | SCREW, SHS 3/8-16 X 1/2"          | 4           |  |
| 2%         | 16194           | BEARING, PILLOW BLOCK             | 2           |  |
| 3%         | 16749           | ZERK, GREASE 90° 1/4-28           | 2           |  |
| 4%         | 26091           | SCREW, SHS 1/4-28 X 1/4"          | 4           |  |
| 5%         | 2621            | ZERK, GREASE STR 1/4"-28          | 1           |  |
| 6%         | 26383           | JOINT, UNIVERSAL 3/4" DIA.        | 1           |  |
| 7%         | 26384           | KEY, 3/16 SQ. X 1"                | 2           |  |
| 8%         | 26417           | BRACKET, UNIVERSAL JOINT          | 2           |  |
| 9%         | 26422           | JOINT, UNIVERSAL                  | 1           |  |
| 10%        | 26441           | HEX KEY, 3/16" LONG HANDLE        | 1           |  |
| 11%        | 26442           | HEX KEY, 1/8" LONG HANDLE         | 1           |  |
| 12%        | 36673           | COUPLER, DRIVE SHAFT, LONG        | 1           |  |
| 13@        | 0166 A          | WASHER, LOCK 3/8" MED.            | 4           |  |
| 14%        | 2621            | FITTING, GREASE ZERK STR 1/4-28   | 2           |  |
| 16%@       | 10133           | NUT, NYLOC 3/8"-16                | 4           |  |
| 17%@       | 13351           | WASHER, FLAT 3/8" PLTD. USS HEAVY | 20          |  |
| 18@        | 1456            | NUT, HEX FINISH 3/8"-16           | 4           |  |
| 19@        | 49048           | SCREW, HHFS 1/4"-20 X .75         | 4           |  |
| 20@        | 36257           | GUARD, SHAFT, WSHEIC              | 2           |  |
| 21@        | 36591           | MOUNT, HALF TUBE                  | 2           |  |
| 22@        | 36601           | TUBE ASSY., 9.0"                  | 2           |  |
| 23@        | 8156            | SCREW, HHC 3/8-16 X 2-1/2"        | 4           |  |
| 24         | 36657           | WSHEKITUJ CE KIT.....             | 1.....      | INCLUDES ITEMS W/@<br>KIT ITEM ONLY<br>NO LONGER AVAILABLE |
| 25         | WSHEKITUJ       | UNIVERSAL JOINT KIT ASSY.....     | 1.....      | INCLUDES ITEMS W/%   |

# WSHEH END HANDLE KIT ASSY.

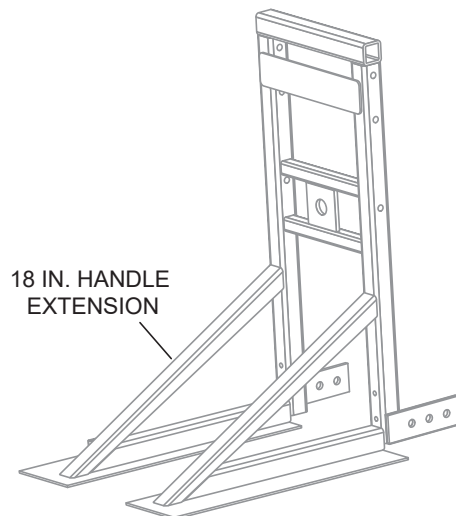
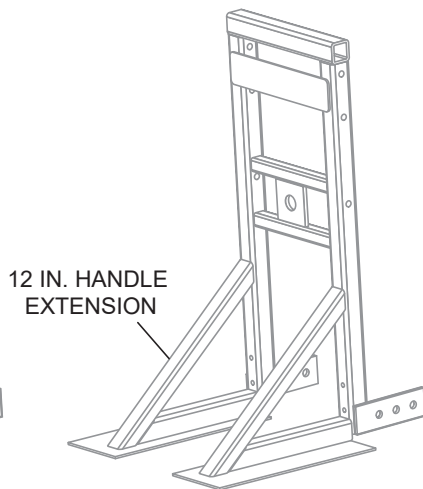
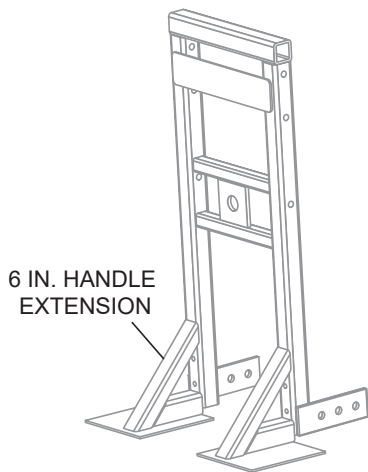
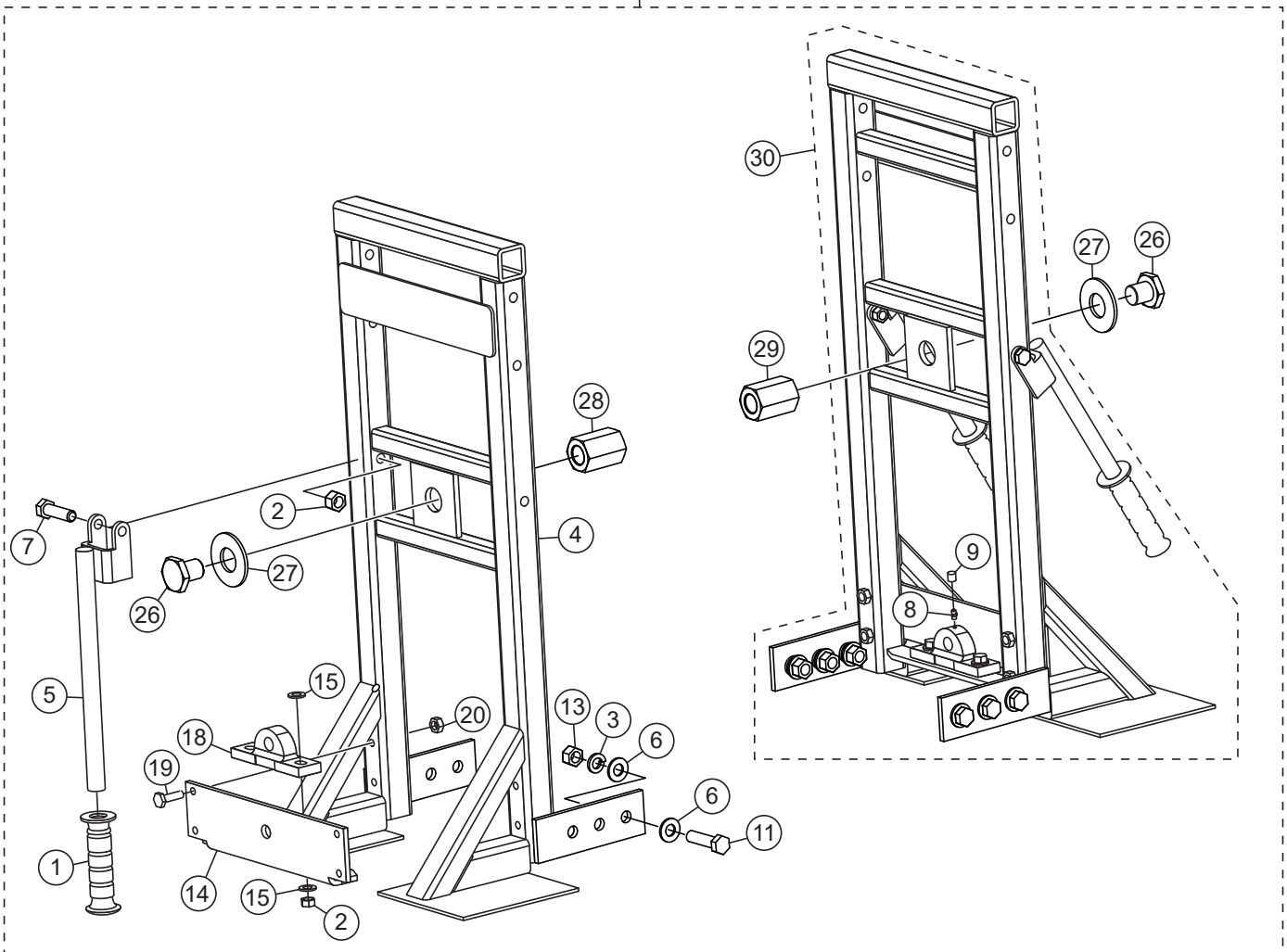


## WSHEH END HANDLE KIT ASSY.

| <u>NO.</u> | <u>PART NO.</u> | <u>PART NAME</u>                  | <u>QTY.</u> | <u>REMARKS</u>  |
|------------|-----------------|-----------------------------------|-------------|---|
| 1@#        | 0189            | GRIP, HANDLE                      | 4           |   |
| 2@#%       | 10133           | NUT, NYLOC 3/8"-16                | 4           |   |
| 3@#        | 12220           | WASHER, LOCK 1/2" HIGH STRENGTH   | 12          |   |
| 4@#        | 16159           | FRAME, END ADAPTOR                | 2           |   |
| 5@#        | 16195           | HANDLE, SCREED                    | 4           |   |
| 6@#        | 16630           | WASHER, FLAT 1/2" SAE HARDENED    | 24          |   |
| 7@#        | 1665            | SCREW, HHC 3/8-16 X 2"            | 4           |   |
| 8@#        | 2621            | ZERK, GREASE .....                | 1           | .....INCLUDED WITH ITEM 18                                      |
| 9@#        | 1162 A          | CAP, GREASE ZERK #2               | 1           |   |
| 11@#       | 3242            | SCREW, HHC 1/2-13 X 1-3/4"        | 12          |   |
| 13@#       | 968011          | NUT, HEX FINISH 1/2"-13           | 12          |   |
| 14@#       | 16154           | MOUNT, END SECTION BEARING        | 1           |   |
| 15@#%      | 13351           | WASHER, FLAT 3/8" PLTD. USS HEAVY | 8           |   |
| 16@#       | 1665            | SCREW, HHC 3/8-16 X 2"            | 2           |   |
| 18@#       | 16194           | BEARING, PILLOW BLOCK             | 1           |   |
| 19@#       | 26250           | SCREW, HHC 1/4-20 X 1-3/4"        | 8           |   |
| 20@#       | 10024           | NUT, NYLOC 1/4"-20                | 8           |   |
| 21%        | 36646           | TUBE ASSY., 12.63"                | 2           |   |
| 22%        | 49048           | SCREW, HHFS 1/4"-20 X .75         | 8           |   |
| 25%        | 36591           | MOUNT, HALF TUBE                  | 2           |   |
| 26@        | 26100           | BOLT, 1.0-14 X 1.25 UNS-2A THREAD | 2           |   |
| 27@        | 3264            | WASHER, FLAT SAE 1.00             | 2           |   |
| 28@        | 26099           | ADAPTER, STABILIZER END L/H       | 1           |   |
| 29@        | 26098           | ADAPTER, STABILIZER END R/H       | 1           |   |
| 30@        | 26102           | END HANDLE ASSY.....              | 1           | .....INCLUDES ITEMS W/#   |
| 31@        | 26085           | HANGER, SCREED LIFTING            | 2           |   |
| 32@        | 4370            | SCREW, HHC 3/8-16 X 2-1/4"        | 2           |   |
| 33@        | 0166 A          | WASHER, LOCK 3/8" MED.            | 2           |   |
| 34@        | 1456            | NUT, HEX FINISH 3/8"-16           | 2           |   |
| 35@        | 26135           | SHACKLE, HANGER                   | 2           |   |
| 36         | MSHEH           | END HANDLE KIT .....              | 1           | .....INCLUDES ITEMS W/@<br>REPLACES P/N WSHEH                   |
| 37         | 36647           | WSHEH CE KIT .....                | 1           | .....INCLUDES ITEMS W/%<br>KIT ITEM ONLY<br>NO LONGER AVAILABLE |

# WSHEEXT6/12/18 END HANDLE EXTENSION KIT ASSY.

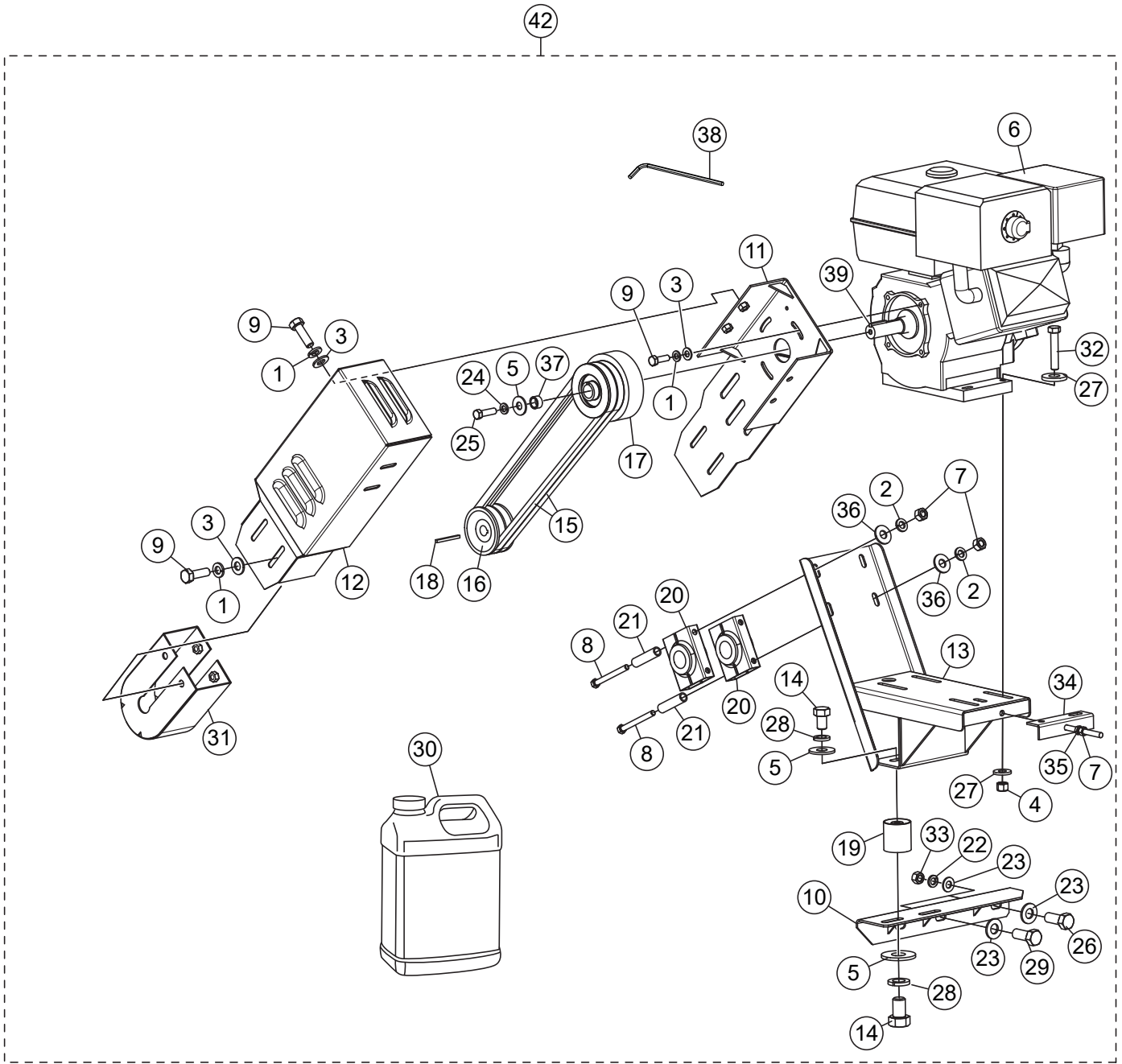
31



## WSHEEXT6/12/18 END HANDLE EXTENSION KIT ASSY.

| <u>NO.</u> | <u>PART NO.</u> | <u>PART NAME</u>                           | <u>QTY.</u> | <u>REMARKS</u>                             |
|------------|-----------------|--|-------------|--|
| 1@#%+=     | 0189            | GRIP, HANDLE                               | 4           |  |
| 2@#%+=     | 10133           | NUT, NYLOC 3/8"-16                         | 4           |  |
| 3@#%+=     | 12220           | WASHER, LOCK 1/2" HIGH STRENGTH            | 12          |  |
| 4@%        | 26375           | 6 IN. HANDLE EXT., ENG END                 | 2           |  |
| 4#+        | 26374           | 12 IN. HANDLE EXT., ENG END                | 2           |  |
| 4\$=       | 26376           | 18 IN. HANDLE EXT., ENG END                | 2           |  |
| 5@#%+=     | 16195           | HANDLE, SCREED                             | 4           |  |
| 6@#%+=     | 16630           | WASHER, FLAT 1/2" SAE HARDENED             | 24          |  |
| 7@#%+=     | 1665            | SCREW, HHC 3/8-16 X 2"                     | 4           |  |
| 8@#%+=     | 2621            | ZERK, GREASE.....                          | 1           | INCLUDED WITH ITEM 18                      |
| 9@#%+=     | 1162 A          | CAP, GREASE ZERK #2                        | 1           |  |
| 11@#%+=    | 3242            | SCREW, HHC 1/2-13 X 1-3/4"                 | 12          |  |
| 13@#%+=    | 968011          | NUT, HEX FINISH 1/2"-13                    | 12          |  |
| 14@#%+=    | 16154           | MOUNT, END SECTION BEARING                 | 1           |  |
| 15@#%+=    | 13351           | WASHER, FLAT 3/8" PLTD. USS HEAVY          | 8           |  |
| 18@#%+=    | 16194           | BEARING, PILLOW BLOCK                      | 1           |  |
| 19@#%+=    | 26250           | SCREW, HHC 1/4-20 X 1-3/4"                 | 8           |  |
| 20@#%+=    | 10024           | NUT, NYLOC 1/4"-20                         | 8           |  |
| 26@#\$     | 26100           | BOLT, 1.0-14 X 1.25" UNS-2A THREAD         | 2           |  |
| 27@#\$     | 3264            | WASHER, FLAT SAE 1"                        | 2           |  |
| 28@#\$     | 26099           | ADAPTER, STABILIZER END L/H                | 1           |  |
| 29@#\$     | 26098           | ADAPTER, STABILIZER END R/H                | 1           |  |
| 30@        | 26389           | 6 IN. HANDLE EXT. ASSY., ENG END.....      | 2           | INCLUDES ITEMS W/%                         |
| 30#        | 26390           | 12 IN. HANDLE EXT. ASSY., ENG END.....     | 2           | INCLUDES ITEMS W/+                         |
| 30\$       | 26391           | 18 IN. HANDLE EXT. ASSY., ENG END.....     | 2           | INCLUDES ITEMS W/=                         |
| 31         | WSHEEXT6        | SCREED, ENGINE, 6 IN. EXTENSION KIT .....  | 1           | INCLUDES ITEMS W/@<br>NO LONGER AVAILABLE  |
| 31         | WSHEEXT12       | SCREED, ENGINE, 12 IN. EXTENSION KIT ..... | 1           | INCLUDES ITEMS W/#<br>NO LONGER AVAILABLE  |
| 31         | WSHEEXT18       | SCREED, ENGINE, 18 IN. EXTENSION KIT ..... | 1           | INCLUDES ITEMS W/\$<br>NO LONGER AVAILABLE |

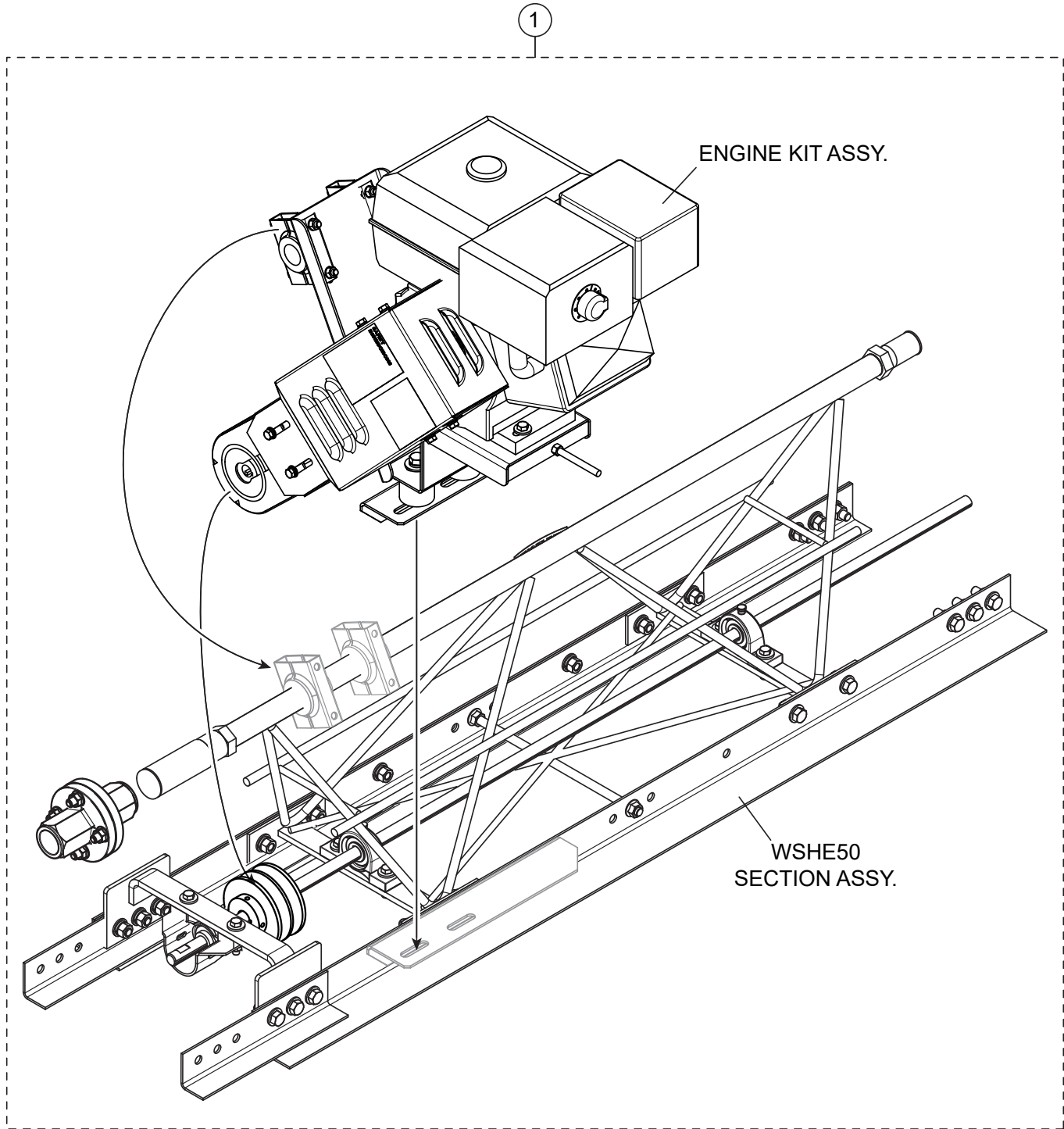
# WSHEKIT8H/9H/11H ENGINE KIT ASSY.



## WSHEKIT8H/9H/11H ENGINE KIT ASSY.

| <u>NO.</u> | <u>PART NO.</u> | <u>PART NAME</u>                         | <u>QTY.</u> | <u>REMARKS</u>  |
|------------|-----------------|--|-------------|---|
| 1@%        | 0161 C          | WASHER, LOCK 5/16" MED.                  | 12          |   |
| 2@%        | 0166 A          | WASHER, LOCK 3/8" MED.                   | 4           |   |
| 3@%        | 0300 B          | WASHER, FLAT 5/16" SAE                   | 12          |   |
| 4@%        | 10133           | NUT, NYLOC 3/8"-16                       | 4           |   |
| 5@%        | 13211           | WASHER, FLAT 1/2" USS PLTD.              | 5           |   |
| 6@         |                 | ENGINE, HONDA GX240 8HP .....            | 1.....      | NO LONGER AVAILABLE   |
| 6@         | 21980           | ENGINE, HONDA GX270 9HP .....            | 1.....      | FOR STOCKING ITEMS, SEE<br>SUGGESTED SPARE PARTS                    |
| 6%         | 1388            | ENGINE, HONDA GX340 11HP .....           | 1.....      | FOR STOCKING ITEMS, SEE<br>SUGGESTED SPARE PARTS                    |
| 7@%        | 1456            | NUT, HEX FINISH 3/8"-16                  | 5           |   |
| 8@%        | 1570            | SCREW, HHC 3/8-16 X 3-3/4"               | 4           |   |
| 9@%        | 10229           | SCREW, HHC 5/16-24 X 1"                  | 12          |   |
| 10@%       | 16116           | ANGLE, ENGINE SUPPORT                    | 1           |   |
| 11@%       | 36551           | GUARD, ENGINE REAR                       | 1           |   |
| 12@%       | 36555           | GUARD, ENGINE FRONT                      | 1           |   |
| 13@%       | 16197           | MOUNT, ENGINE                            | 1           |   |
| 14@%       | 2230            | SCREW, HHC 1/2-13 X 3/4"                 | 4           |   |
| 15@%       | 2422            | BELT, B41                                | 2           |   |
| 16@%       | 26079           | PULLEY, 2BK30 X 3/4"                     | 1           |   |
| 17@%       | 26110           | CLUTCH, 1"BORE - 4"DIA.                  | 1           |   |
| 18@%       | 26113           | KEY, 3/16 SQ. X 2-1/4"                   | 1           |   |
| 19@%       | 26114           | MOUNT, VIBRATION                         | 2           |   |
| 20@%       | 26115           | CLAMP HOUSING ASSY.                      | 2           |   |
| 21@%       | 26125           | SPACER, 3/8 X 2-11/16"                   | 4           |   |
| 22@%       | 12220           | WASHER, LOCK 1/2" HIGH STRENGTH          | 3           |   |
| 23@%       | 16630           | WASHER, FLAT SAE 1/2" HIGH STRENGTH      | 6           |   |
| 24@%       | 2955            | WASHER, LOCK 7/16" MED.                  | 1           |   |
| 25@        | 2956            | SCREW, HHC 7/16-20 X 1-1/2"              | 1           |   |
| 25%        | 16721           | SCREW, HHC 3/8-24 X 1-3/4"               | 1           |   |
| 26@%       | 3214            | SCREW, HHC 1/2-13 X 1-1/4"               | 1           |   |
| 27@%       | 13351           | WASHER, FLAT 3/8" EXT. THICK HI STRENGTH | 8           |   |
| 28@%       | 5054 A          | WASHER, LOCK 1/2" MED.                   | 4           |   |
| 29@%       | 5218            | SCREW, HHC 1/2-13 X 1-1/2"               | 2           |   |
| 30@%       | W60137          | OIL, 30WT SAE SPECIAL MOTOR (GAL)        | 1           |   |
| 31@%       | 36554           | GUARD, ENGINE BOTTOM                     | 1           |   |
| 32@        | 9154            | SCREW, HHC 3/8-16 X 1-3/4"               | 4           |   |
| 32%        | 1665            | SCREW, HHC 3/8-16 X 2"                   | 4           |   |
| 33@%       | 968011          | NUT, HEX FINISH 1/2"-13                  | 3           |   |
| 34@%       | 36838           | ADJUSTER, ENGINE                         | 1           |   |
| 35@%       | 1007            | NUT, HEAVY JAM 3/8"-16 GRD2, NO PLT      | 1           |   |
| 36@%       | 4001            | WASHER, FLAT 3/8" USS PLD.               | 4           |   |
| 37@%       | 36644           | SPACER, .875 OD X .095W X .44L           | 1           |   |
| 38@%       | 26442           | HEX KEY, 1/8" LONG HANDLE                | 1           |   |
| 39%        | 6059 B          | KEY, 1/4 SQ. X 2"                        | 1           |   |
| 42         | WSHEKIT9H       | ENGINE KIT HONDA GX270 .....             | 1.....      | INCLUDES ITEMS W/@<br>REPLACES P/N WSHEKIT8H<br>NO LONGER AVAILABLE |
| 42         | MSHEKIT11H      | ENGINE KIT HONDA GX340 .....             | 1.....      | INCLUDES ITEMS W/%<br>REPLACES P/N WSHEKIT11H                       |

# WSHE50KIT8H/9H/11H ENGINE AND SECTION ASSY.

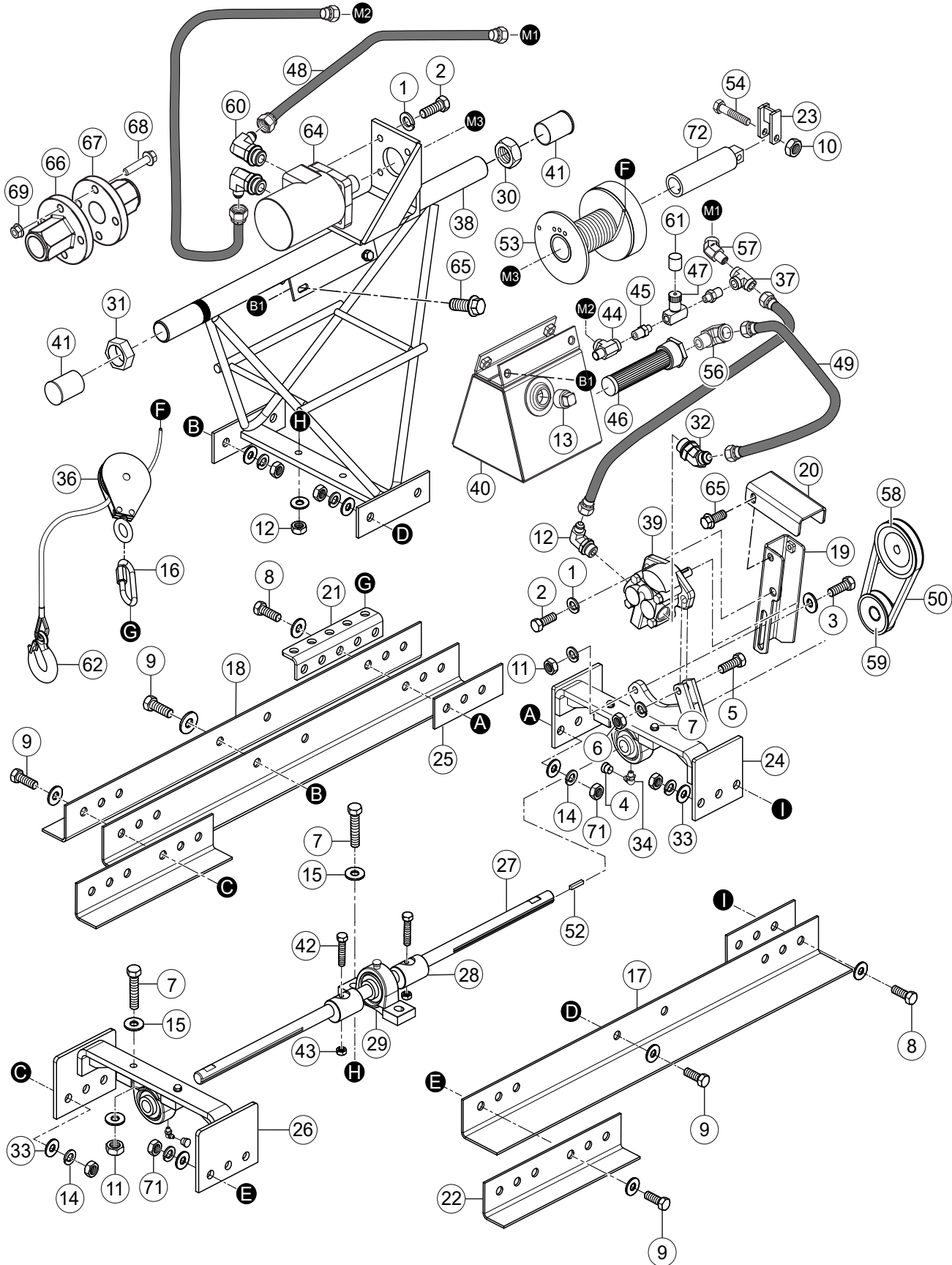


## **WSHE50KIT8H/9H/11H ENGINE AND SECTION ASSY.**

---

| <u>NO.</u> | <u>PART NO.</u> | <u>PART NAME</u>                       | <u>QTY.</u> | <u>REMARKS</u>                              |
|------------|-----------------|--|-------------|---|
| 1          | WSHE50KIT9H     | 5' SECTION/ENGINE KIT ASSY., 9HP ..... | 1.....      | REPLACES WSHE50KIT8H<br>NO LONGER AVAILABLE |
| 1          | MSHE50KIT11H    | 5'SECTION/ENGINE KIT ASSY., 11HP.....  | 1.....      | REPLACES P/N WSHE50KIT11H                   |

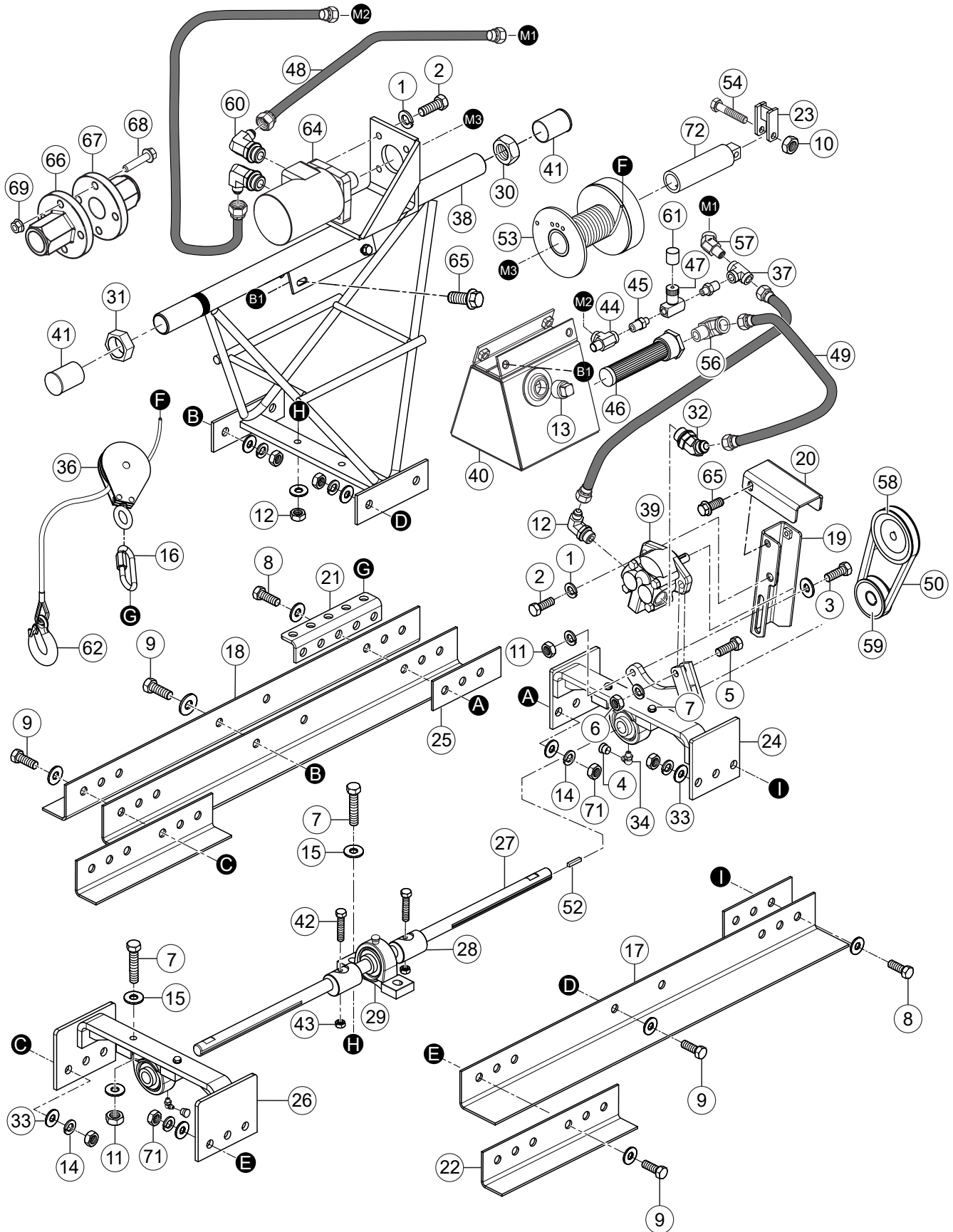
# WSHESPW (RIGHT-SIDE) KIT ASSY.



## WSHESPW (RIGHT-SIDE) KIT ASSY.

| <u>NO.</u> | <u>PART NO.</u> | <u>PART NAME</u>                       | <u>QTY.</u> | <u>REMARKS</u> |
|------------|-----------------|--|-------------|----------------|
| 1          | 0166 A          | WASHER, LOCK, 3/8" MED.                | 7           |                |
| 2          | 0205            | SCREW, HHC 3/8"-16 X 1.0               | 5           |                |
| 3          | 1023            | SCREW, HHC 3/8"-16 X 1-1/4" GRD5       | 1           |                |
| 4          | 1162 A          | CAP, GREASE ZERK, #2 YELLOW            | 3           |                |
| 5          | 1284            | SCREW, HHC 3/8"-16 X 1-1/2"            | 1           |                |
| 6          | 1456            | NUT, HEX FINISH 3/8"-16                | 1           |                |
| 7          | 1665            | SCREW, HHC 3/8"-16 X 2                 | 6           |                |
| 8          | 3242            | SCREW, HHC 1/2"-13 X 1-3/4"            | 6           |                |
| 9          | 5218            | SCREW, HHC 1/2"-13 X 1-1/2"            | 10          |                |
| 10         | 5283            | NUT, NYLOC 5/16"-18                    | 1           |                |
| 11         | 10133           | NUT, NYLOC 3/8"-16                     | 7           |                |
| 12         | 11723           | FITTING, 90° 6MJ-8MO                   | 1           |                |
| 13         | 11793           | FITTING, PLUG 3/4MP SQ. HD.            | 1           |                |
| 14         | 12220           | WASHER, LOCK 1/2" HIGH STRENGTH        | 16          |                |
| 15         | 13351           | WASHER, FLAT 3/8"                      | 13          |                |
| 16         | 13359           | LINK, 5/16" QUICK, PLATED              | 1           |                |
| 17         | 16106           | BLADE, 2.50' X 3W                      | 1           |                |
| 18         | 16110           | BLADE, 2.50' X 2W                      | 2           |                |
| 19         | 16123           | GUARD W/A, BELT TENSION                | 1           |                |
| 20         | 16124           | COVER, BELT GUARD - TOP                | 1           |                |
| 21         | 16125           | BRACKET, CABLE PULLEY                  | 1           |                |
| 22         | 16126           | ANGLE, BLADE CONNECTOR                 | 2           |                |
| 23         | 16136           | WINCH, LOCKOUT W/A                     | 1           |                |
| 24         | 16148           | BRACKET, PUMP MOUNT W/A                | 1           |                |
| 25         | 16153           | FEET, END SECTION                      | 2           |                |
| 26         | 16170           | BRACKET, BEARING MOUNT W/A             | 1           |                |
| 27         | 16175           | SHAFT, DRIVE 2-1/2" SECTION            | 1           |                |
| 28         | 16179           | WEIGHT, SHAFT VIBRATION                | 2           |                |
| 29         | 16194           | BEARING, 3/4" PILLOW BLOCK             | 3           |                |
| 30         | 16515           | NUT, JAM 1-5/16-16 RIGHT HAND          | 1           |                |
| 31         | 16516           | NUT, JAM 1-5/16-16 LEFT HAND           | 1           |                |
| 32         | 16580           | FITTING, 45° 8MJ-10MO                  | 1           |                |
| 33         | 16630           | WASHER, FLAT SAE 1/2" HI STRENGTH      | 32          |                |
| 34         | 16749           | ZERK, GREASE 90°, 1/4"-28              | 2           |                |
| 36         | 26096           | BLOCK, SWIVEL EYE 3" PULLEY 1/4" CABLE | 1           |                |
| 37         | 26128           | FITTING, TEE 1/4FP-1/4FP-1/4FP         | 1           |                |
| 38         | 26159           | FRAME, STEEL SP-RH                     | 1           |                |
| 39         | 26162           | PUMP, HYD. PARKER D05 AA2A             | 1           |                |
| 40         | 26196           | TANK, HYDRAULIC                        | 1           |                |
| 41         | 26199           | CAP, FEMALE PROTECTIVE 1-5/16          | 2           |                |
| 42         | 26251           | SCREW, HHC 1/4"-20 X 1-1/2" GRD8       | 2           |                |
| 43         | 26252           | NUT, NYLOC 1/4"-20 GRD8                | 2           |                |
| 44         | 26260           | FITTING, TEE 1/4MP-1/4FP-1/4FP RUN     | 1           |                |
| 45         | 26261           | FITTING, STR. 1/8MP-1/4MP              | 2           |                |

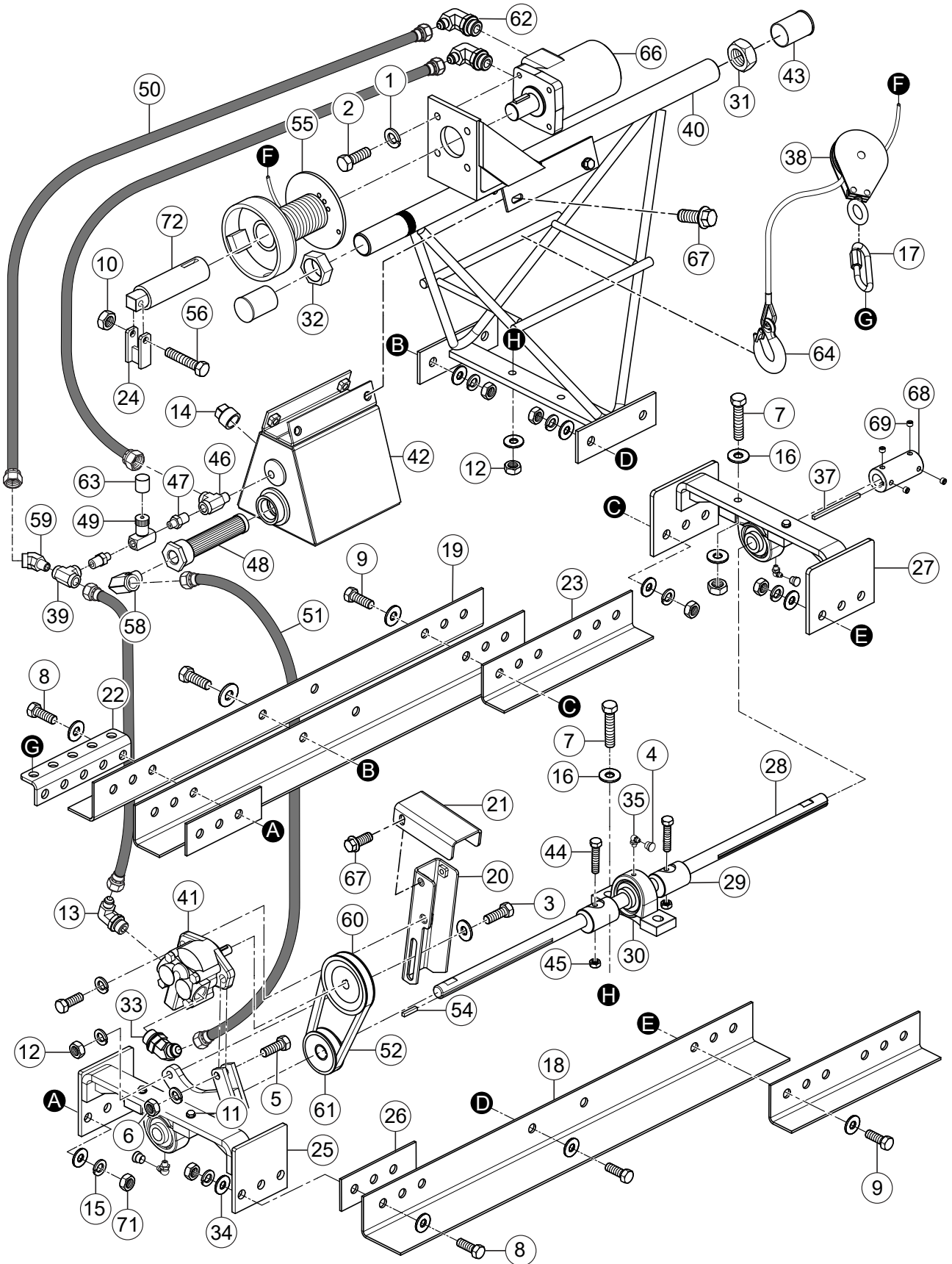
# WSHESPW (RIGHT-SIDE) KIT ASSY. (CONT'D.)



## WSHESPW (RIGHT-SIDE) KIT ASSY. (CONT'D.)

| <u>NO.</u> | <u>PART NO.</u> | <u>PART NAME</u>                  | <u>QTY.</u> | <u>REMARKS</u> |
|------------|-----------------|-----------------------------------|-------------|----------------|
| 46         | 26262           | FILTER, HYD. FLO-EZ S5-100        | 1           |                |
| 47         | 26263           | VALVE, NEEDLE 1/8" PARKER N200S   | 1           |                |
| 48         | 26265           | HOSE, HYD. 4-4MPX6FJ SWIVELX16"   | 3           |                |
| 49         | 26266           | HOSE, HYD. 8-8MPX8FJ SWIVELX18"   | 1           |                |
| 50         | 26269           | BELT, 4L-210 NAPA                 | 1           |                |
| 52         | 26384           | KEY, 3/16" X 1 304 SS             | 1           |                |
| 53         | 26410           | DRUM, CABLE W/A                   | 1           |                |
| 54         | 26426           | SCREW, HHC 5/16"-18 X 1-3/4" GRD8 | 1           |                |
| 56         | 26496           | FITTING, 90° 1/2MP-1/2FP          | 1           |                |
| 57         | 26547           | FITTING, 45° 1/4FP X 1/4MP        | 1           |                |
| 58         | 26610           | PULLEY, AK34 X 1/2"               | 1           |                |
| 59         | 26611           | PULLEY, AK25 X 3/4"               | 1           |                |
| 60         | 26791           | FITTING, 90° 6MJ-10MO             | 2           |                |
| 61         | 36235           | CAP, VALVE .73 X 1.5 MSC 730-1.50 | 1           |                |
| 62         | 36490           | CABLE ASSY., HOOK                 | 1           |                |
| 64         | 36719           | MOTOR, HYD.                       | 1           |                |
| 65         | 36720           | SCREW, HHFS 5/16"-18 X 3/4" GRD5  | 6           |                |
| 66         | 46265           | TURNBUCKLE, LH-SCREED             | 1           |                |
| 67         | 46266           | TURNBUCKLE, RH-SCREED             | 1           |                |
| 68         | 46271           | SCREW, HHF 3/8"-16 X 1-3/4"       | 4           |                |
| 69         | 46272           | NUT, FLANGED 3/8"-16              | 4           |                |
| 71         | 968011          | NUT, HEX FINISH 1/2"-13           | 16          |                |
| 72         | W16133          | DRIVE SHAFT, WINCH W/A            | 1           |                |

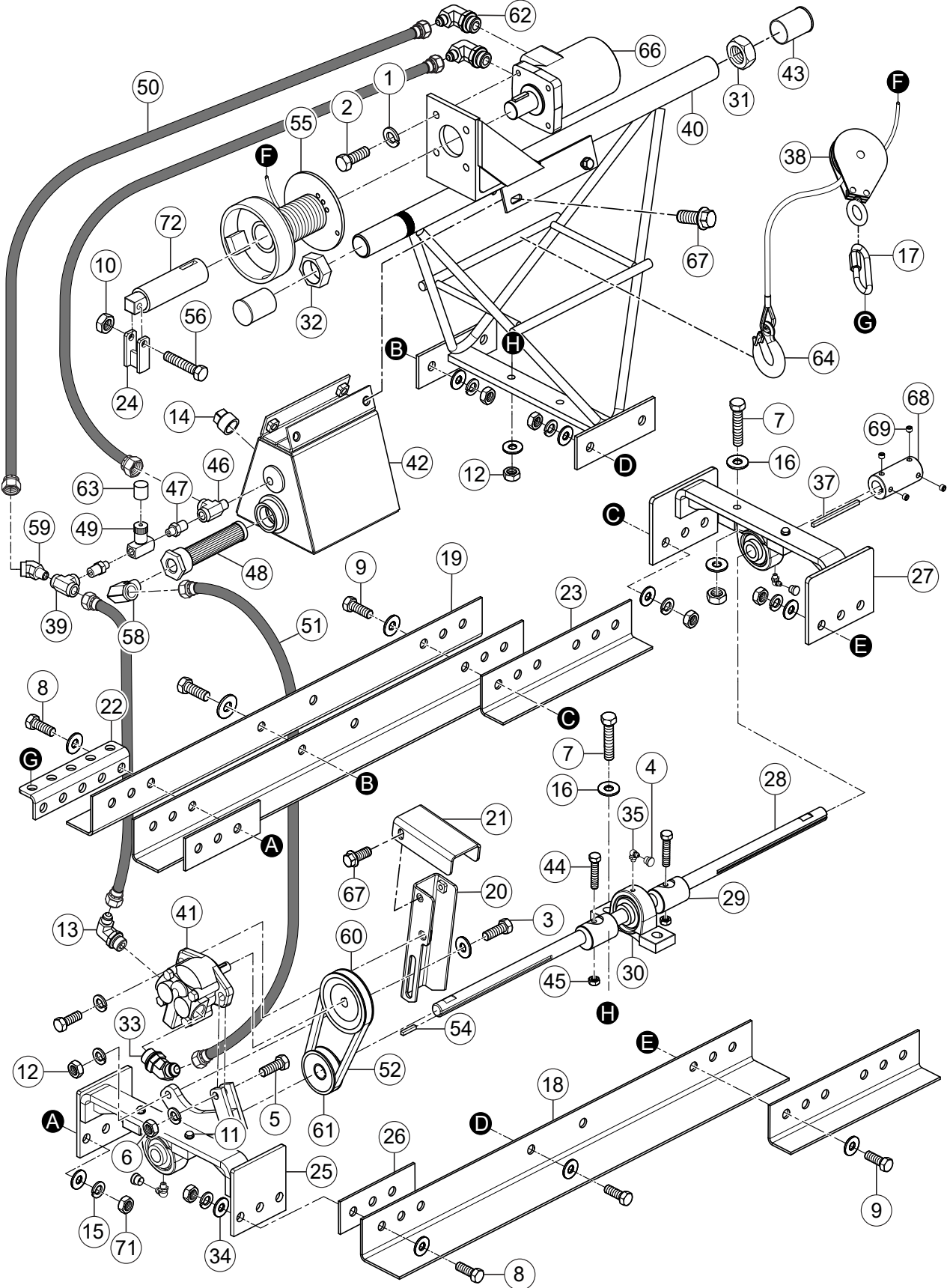
# WSHESPW (LEFT-SIDE) KIT ASSY.



## WSHESPW (LEFT-SIDE) KIT ASSY.

| <u>NO.</u> | <u>PART NO.</u> | <u>PART NAME</u>                           | <u>QTY.</u> | <u>REMARKS</u> |
|------------|-----------------|--|-------------|----------------|
| 1          | 0166 A          | WASHER, LOCK, 3/8" MED.                    | 7           |                |
| 2          | 0205            | SCREW, HHC 3/8"-16 X 1.0                   | 5           |                |
| 3          | 1023            | SCREW, HHC 3/8"-16 X 1-1/4" GRD5           | 1           |                |
| 4          | 1162 A          | CAP, GREASE ZERK, #2 YELLOW                | 3           |                |
| 5          | 1284            | SCREW, HHC 3/8"-16 X 1-1/2"                | 1           |                |
| 6          | 1456            | NUT, HEX FINISH 3/8"-16                    | 1           |                |
| 7          | 1665            | SCREW, HHC 3/8"-16 X 2                     | 4           |                |
| 8          | 3242            | SCREW, HHC 1/2"-13 X 1-3/4"                | 6           |                |
| 9          | 5218            | SCREW, HHC 1/2"-13 X 1-1/2"                | 10          |                |
| 10         | 5283            | NUT, NYLOC 5/16"-18                        | 1           |                |
| 11         | 9154            | SCREW, HHC 3/8"-16 X 1-3/4"                | 2           |                |
| 12         | 10133           | NUT, NYLOC 3/8"-16                         | 7           |                |
| 13         | 11723           | FITTING, 90° 6MJ-8MO                       | 1           |                |
| 14         | 11793           | FITTING, PLUG 3/4MP SQ. HD.                | 1           |                |
| 15         | 12220           | WASHER, LOCK 1/2" HIGH STRENGTH            | 16          |                |
| 16         | 13351           | WASHER, FLAT 3/8" EXT. THICK HIGH STRENGTH | 13          |                |
| 17         | 13359           | LINK, 5/16" QUICK, PLATED                  | 1           |                |
| 18         | 16106           | BLADE, 2.50' X 3W                          | 1           |                |
| 19         | 16110           | BLADE, 2.50' X 2W                          | 2           |                |
| 20         | 16123           | GUARD, BELT TENSION                        | 1           |                |
| 21         | 16124           | COVER, BELT GUARD-TOP                      | 1           |                |
| 22         | 16125           | BRACKET, CABLE PULLEY                      | 1           |                |
| 23         | 16126           | ANGLE, BLADE CONNECTOR                     | 2           |                |
| 24         | 16136           | WINCH, LOCKOUT                             | 1           |                |
| 25         | 16148           | BRACKET, PUMP MOUNT                        | 1           |                |
| 26         | 16153           | FEET, END SECTION                          | 2           |                |
| 27         | 16170           | BRACKET, BEARING MOUNT                     | 1           |                |
| 28         | 16175           | SHAFT, DRIVE 2-1/2' SECTION                | 1           |                |
| 29         | 16179           | WEIGHT, SHAFT VIBRATION                    | 2           |                |
| 30         | 16194           | BEARING, 3/4" PILLOW BLOCK                 | 3           |                |
| 31         | 16515           | NUT, JAM 1-5/16"-16 RIGHT HAND             | 1           |                |
| 32         | 16516           | NUT, JAM 1-5/16"-16 LEFT HAND              | 1           |                |
| 33         | 16580           | FITTING, 45° 8MJ-10MO                      | 1           |                |
| 34         | 16630           | WASHER, FLAT SAE 1/2" HI STRENGTH          | 32          |                |
| 35         | 16749           | ZERK, GREASE 90° 1/4"-28                   | 3           |                |
| 37         | 26093           | KEY, 3/16" SQ. X 3-1/2" 304 SS             | 1           |                |
| 38         | 26096           | BLOCK, SWIVEL EYE 3" PULLEY 1/4" CABLE     | 1           |                |
| 39         | 26128           | FITTING, TEE 1/4FP-1/4FP-1/4FP             | 1           |                |
| 40         | 26160           | FRAME, STEEL SP-LH                         | 1           |                |
| 41         | 26162           | PUMP, HYD. PARKER D05 AA2A                 | 1           |                |
| 42         | 26196           | TANK, HYDRAULIC                            | 1           |                |
| 43         | 26199           | CAP, FEMALE PROTECTIVE 1-5/16"             | 2           |                |
| 44         | 26251           | SCREW, HHC 1/4"-20 X 1-1/2" GRD8           | 2           |                |
| 45         | 26252           | NUT, NYLOC 1/4"-20 GRD8                    | 2           |                |

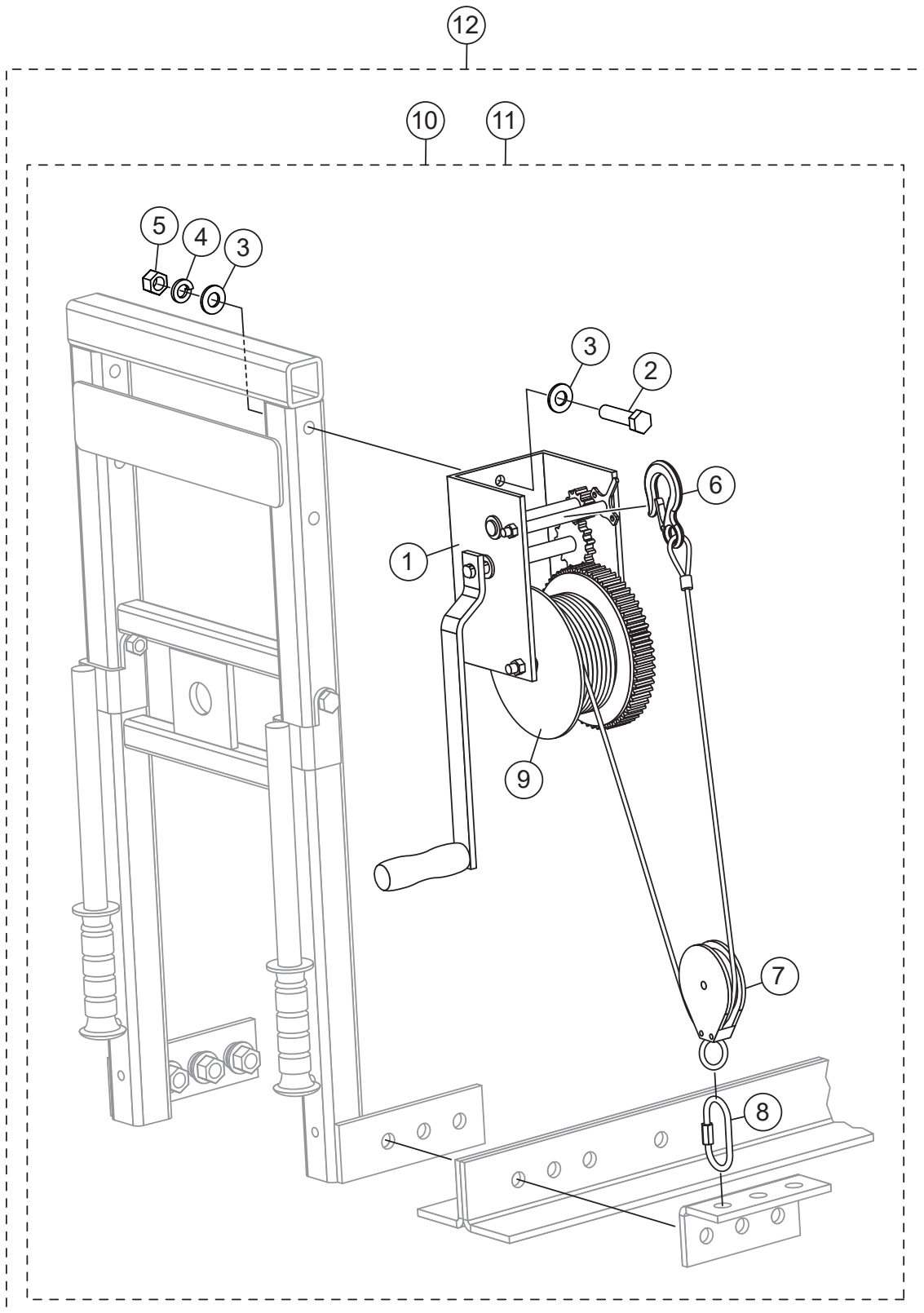
# WSHESPW (LEFT-SIDE) KIT ASSY. (CONT'D.)



## WSHESPW (LEFT-SIDE) KIT ASSY. (CONT'D.)

| <u>NO.</u> | <u>PART NO.</u> | <u>PART NAME</u>                   | <u>QTY.</u> | <u>REMARKS</u> |
|------------|-----------------|------------------------------------|-------------|----------------|
| 46         | 26260           | FITTING, TEE 1/4MP-1/4FP-1/4FP RUN | 1           |                |
| 47         | 26261           | FITTING, STR. 1/8MP - 1/4MP        | 2           |                |
| 48         | 26262           | FILTER, HYD. FLO-EZ S5-100         | 1           |                |
| 49         | 26263           | VALVE, NEEDLE 1/8" PARKER N200S    | 1           |                |
| 50         | 26265           | HOSE, HYD. 4-4MPX6FJ SWIVELX16"    | 3           |                |
| 51         | 26266           | HOSE, HYD. 8-8MPX8FJ SWIVELX18"    | 1           |                |
| 52         | 26269           | BELT, 4L-210 NAPA                  | 1           |                |
| 54         | 26384           | KEY, 3/16 X 1 304 SS               | 1           |                |
| 55         | 26410           | DRUM, CABLE                        | 1           |                |
| 56         | 26426           | SCREW, HHC 5/16-18 X 1-3/4 GRD8    | 1           |                |
| 58         | 26496           | FITTING, 90° 1/2MP-1/2FP           | 1           |                |
| 59         | 26547           | FITTING, 45° 1/4FP X 1/4MP         | 1           |                |
| 60         | 26610           | PULLEY, AK34 X 1/2"                | 1           |                |
| 61         | 26611           | PULLEY, AK25 X 3/4"                | 1           |                |
| 62         | 26791           | FITTING, 90° 6MJ-10MO              | 2           |                |
| 63         | 36235           | CAP, VALVE .73 X 1.5 MSC 730-1.50  | 1           |                |
| 64         | 36490           | CABLE ASSY., HOOK                  | 1           |                |
| 66         | 36719           | MOTOR, HYD.                        | 1           |                |
| 67         | 36720           | SCREW, HHFS 5/16"-18 X 3/4" GRD5   | 6           |                |
| 68         | 46215           | COUPLER, DRIVE SHAFT               | 1           |                |
| 69         | 46242           | SCREW, SHS CP 5/16"-24 X 1/4"      | 4           |                |
| 71         | 968011          | NUT, HEX FINISH 1/2"-13            | 16          |                |
| 72         | W16133          | DRIVE SHAFT, WINCH                 | 1           |                |

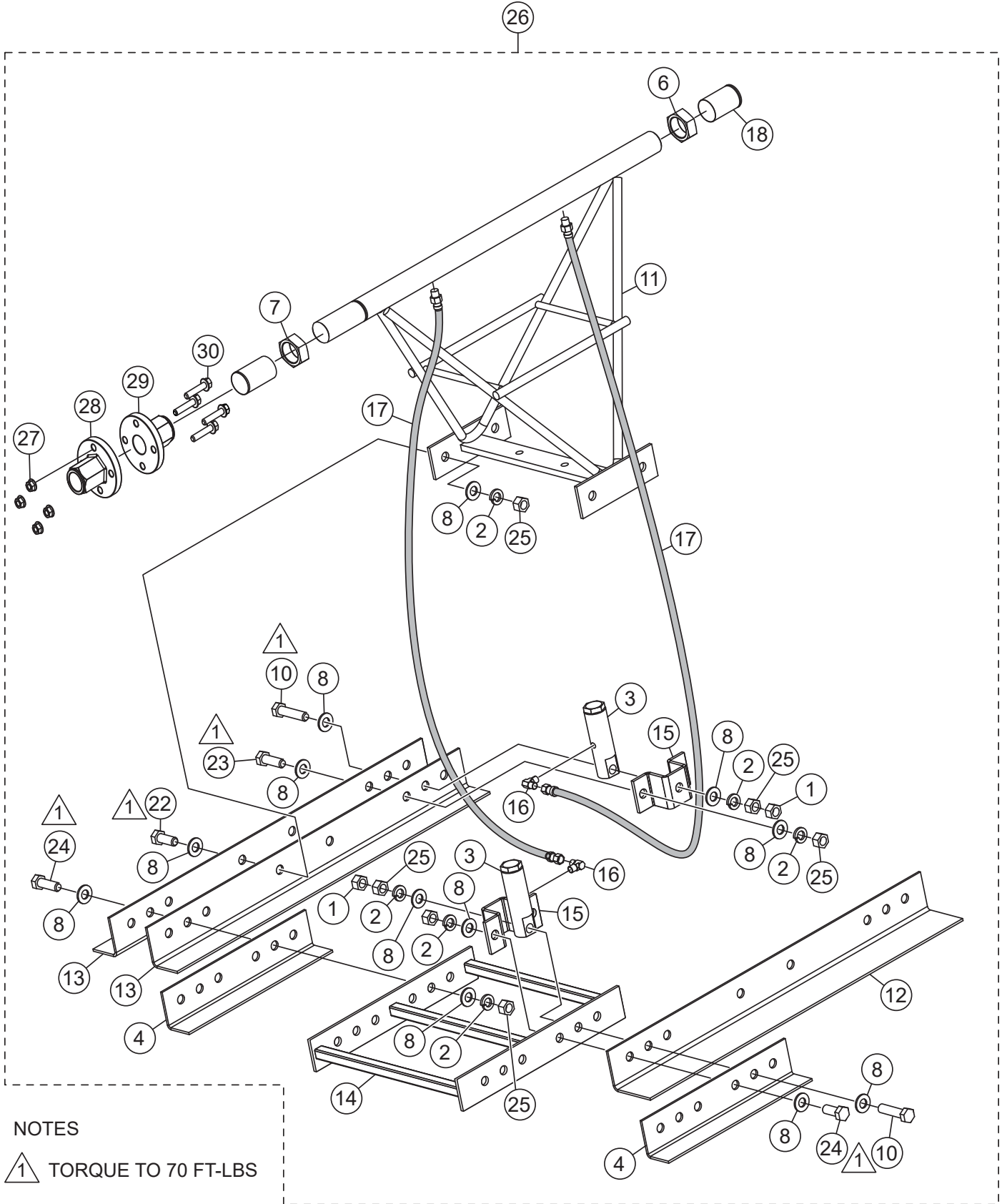
# WSHW HAND WINCH ASSY.



## WSHW HAND WINCH ASSY.

| <u>NO.</u> | <u>PART NO.</u> | <u>PART NAME</u>                       | <u>QTY.</u> | <u>REMARKS</u>     |
|------------|-----------------|--|-------------|--------------------|
| 1@#        | 26081           | WINCH, HAND RACHET, LH                 | 1           |                    |
| 1%#        | 26084           | WINCH, HAND RACHET, RH                 | 1           |                    |
| 2@%#       | 1665            | SCREW, HHC 3/8"-16X2                   | 2           |                    |
| 3@%#       | 4001            | WASHER, FLAT USS 3/8" PLD              | 4           |                    |
| 4@%#       | 0166 A          | WASHER, LOCK 3/8" MED                  | 2           |                    |
| 5@%#       | 1456            | NUT, HEX FINISH 3/8"-16                | 2           |                    |
| 6@%#       | 36490           | CABLE ASSY., HOOK                      | 1           |                    |
| 7@%#       | 26096           | BLOCK, SWIVEL EYE 3" PULLEY 1/4" CABLE | 1           |                    |
| 8@%#       | 13359           | LINK, 5/16" QUICK, PLATED              | 1           |                    |
| 9@%#       | 16125           | PULLEY, CABLE PULLEY                   | 1           |                    |
| 10#        | 26083           | WINCH, HAND ASSY., LH.....             | 1           | INCLUDES ITEMS W/@ |
| 11#        | 26082           | WINCH, HAND ASSY., RH.....             | 1           | INCLUDES ITEMS W/% |
| 12         | WSHW            | SCREED, HAND WINCHES.....              | 1           | INCLUDES ITEMS W/# |

# WSHA20 SECTION ASSY.



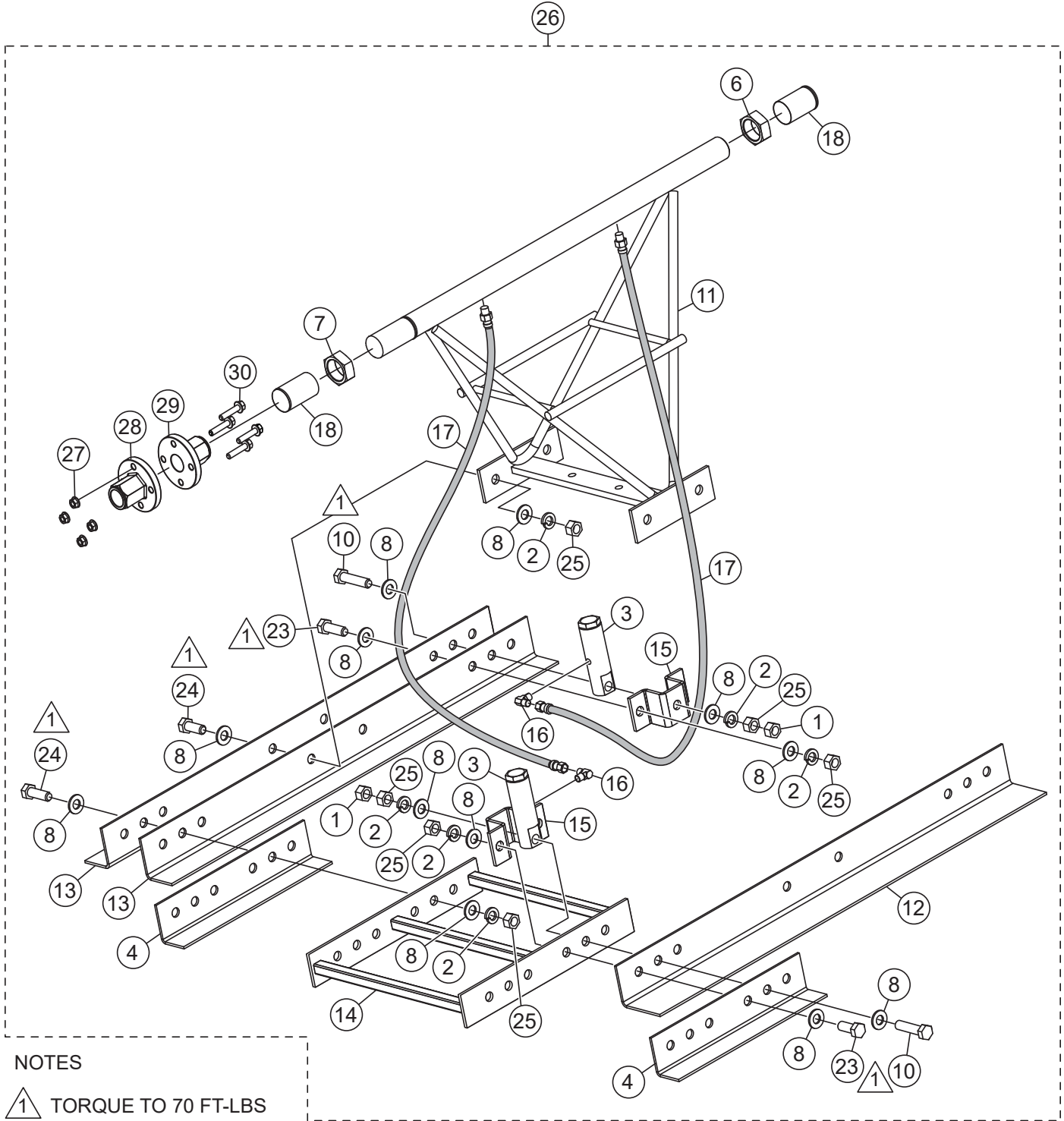
## NOTES

△ 1 TORQUE TO 70 FT-LBS

## WSHA20 SECTION ASSY.

| <u>NO.</u> | <u>PART NO.</u> | <u>PART NAME</u>                    | <u>QTY.</u> | <u>REMARKS</u>                            |
|------------|-----------------|-------------------------------------|-------------|---|
| 1@         | 10176           | NUT, NYLOC 1/2"-13                  | 2           |   |
| 2@         | 12220           | WASHER, LOCK 1/2" HIGH STRENGTH     | 16          |   |
| 3@         | 16073           | VIBRATOR ASSY., AIR                 | 2           |   |
| 4@         | 16126           | ANGLE, BLADE CONNECT                | 2           |   |
| 6@         | 16515           | NUT, JAM 1-5/16"-16 RIGHT HAND      | 1           |   |
| 7@         | 16516           | NUT, JAM 1-5/16"-16 LEFT HAND       | 1           |   |
| 8@         | 16630           | WASHER, FLAT SAE 1/2" HIGH STRENGTH | 32          |   |
| 10@        | 2549            | SCREW, HHC 1/2"-13 X 3              | 2           |   |
| 11@        | 36705           | FRAME, STEEL 2' AIR .....           | 1           | REPLACES P/N 26043                        |
| 12@        | 26058           | BLADE, SCREED 2' X 3W               | 1           |   |
| 13@        | 26059           | BLADE, SCREED 2' X 2W               | 2           |   |
| 14@        | 26107           | BRACE, SECTION CONNECTING           | 1           |   |
| 15@        | 26124           | BRACKET, VIBRATOR MOUNTING          | 2           |   |
| 16@        | 26127           | FITTING, 90° 4MJ-1/8MP              | 2           |   |
| 17@        | 26131           | HOSE, AIR ASSY. 1/4" X 24           | 2           |   |
| 18@        | 26199           | CAP, PIPE CAP PLUGS RCL-16          | 2           |   |
| 22@        | 5218            | SCREW, HHC 1/2"-13 X 1-1/2"         | 12          |   |
| 23@        | 3242            | SCREW, HHC 1/2"-13 X 1-3/4"         | 2           |   |
| 25@        | 968011          | NUT, HEX FINISH 1/2"-13             | 16          |   |
| 26         | WSHA20          | SCREED, AIR 2' SECTION ASSY.....    | 1           | INCLUDES ITEMS W/@<br>NO LONGER AVAILABLE |
| 27@        | 46272           | NUT, FLANGED 3/8"-16                | 4           |   |
| 28@        | 46265           | TURNBUCKLE, LH                      | 1           |   |
| 29@        | 46266           | TURNBUCKLE, RH                      | 1           |   |
| 30@        | 46271           | SCREW, HHF 3/8"-16 X 1-3/4"         | 4           |   |

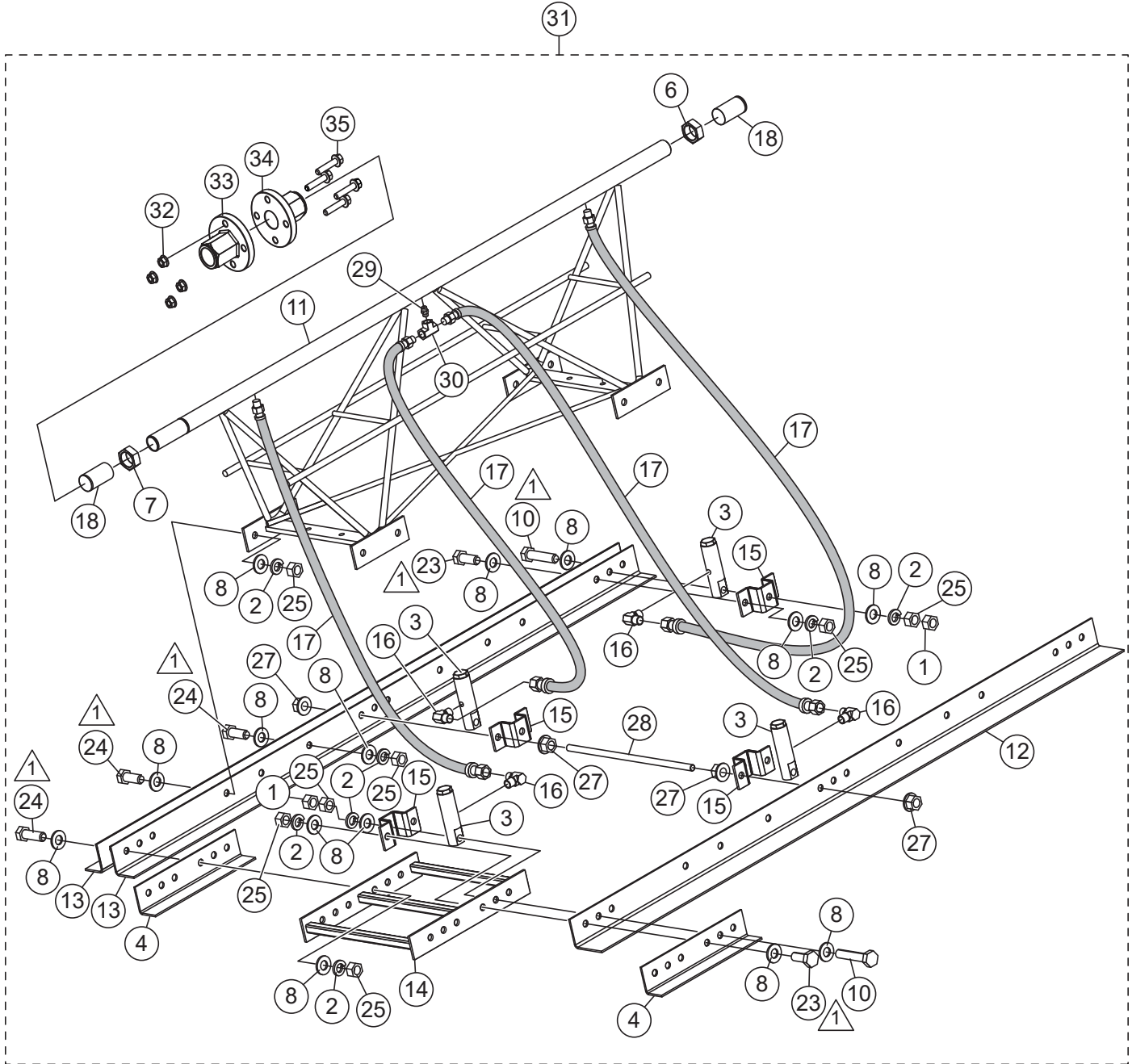
# WSHA25 SECTION ASSY.



## WSHA25 SECTION ASSY.

| <u>NO.</u> | <u>PART NO.</u> | <u>PART NAME</u>                    | <u>QTY.</u> | <u>REMARKS</u>                            |
|------------|-----------------|-------------------------------------|-------------|---|
| 1@         | 10176           | NUT, NYLOC 1/2"-13                  | 2           |   |
| 2@         | 12220           | WASHER, LOCK 1/2" HIGH STRENGTH     | 16          |   |
| 3@         | 16073           | VIBRATOR ASSY., AIR                 | 2           |   |
| 4@         | 16126           | ANGLE, BLADE CONNECT                | 2           |   |
| 5@         | 16514           | TURNBUCKLE, 1-5/16"-16              | 1           |   |
| 6@         | 16515           | NUT, JAM 1-5/16"-16 RIGHT HAND      | 1           |   |
| 7@         | 16516           | NUT, JAM 1-5/16"-16 LEFT HAND       | 1           |   |
| 8@         | 16630           | WASHER, FLAT SAE 1/2" HIGH STRENGTH | 32          |   |
| 10@        | 2549            | SCREW, HHC 1/2"-13 X 3              | 2           |   |
| 11@        | 36706           | FRAME, STEEL 2-1/2' AIR.....        | 1           | REPLACES P/N 26045                        |
| 12@        | 16106           | BLADE, SCREED 2-1/2' X 3W           | 1           |   |
| 13@        | 16110           | BLADE, SCREED 2-1/2' X 2W           | 2           |   |
| 14@        | 26107           | BRACE, SECTION CONNECTING           | 1           |   |
| 15@        | 26124           | BRACKET, VIBRATOR MOUNTING          | 2           |   |
| 16@        | 26127           | FITTING, 90° 4MJ-1/8MP              | 2           |   |
| 17@        | 26131           | HOSE, AIR ASSY. 1/4" X 24           | 2           |   |
| 18@        | 26199           | CAP, PIPE CAP PLUGS RCL-16          | 2           |   |
| 23@        | 3242            | SCREW, HHC 1/2"-13 X 1-3/4"         | 2           |   |
| 24@        | 5218            | SCREW, HHC 1/2"-13 X 1-1/2"         | 12          |   |
| 25@        | 968011          | NUT, HEX FINISH 1/2"-13             | 16          |   |
| 26         | WSHA25          | SCREED, AIR 2.5' SECTION ASSY.....  | 1           | INCLUDES ITEMS W/@<br>NO LONGER AVAILABLE |
| 27@        | 46272           | NUT, FLANGED 3/8"-16                | 4           |   |
| 28@        | 46265           | TURNBUCKLE, LH                      | 1           |   |
| 29@        | 46266           | TURNBUCKLE, RH                      | 1           |   |
| 30@        | 46271           | SCREW, HHF 3/8"-16 X 1-3/4"         | 4           |   |

# WSHA50 SECTION ASSY.



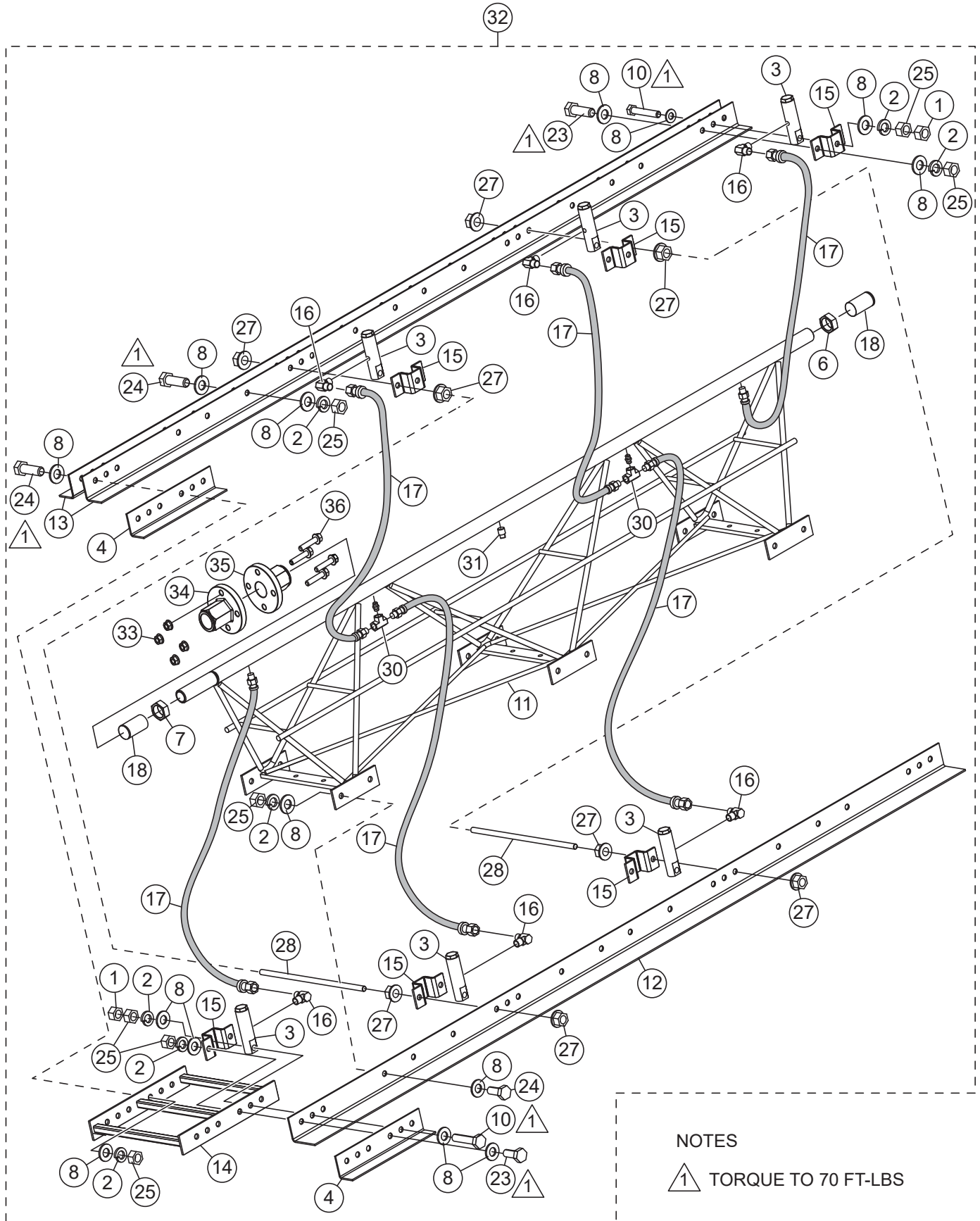
## NOTES

1 TORQUE TO 70 FT-LBS

## WSHA50 SECTION ASSY.

| <u>NO.</u> | <u>PART NO.</u> | <u>PART NAME</u>                    | <u>QTY.</u> | <u>REMARKS</u>                            |
|------------|-----------------|-------------------------------------|-------------|---|
| 1@         | 10176           | NUT, NYLOC 1/2"-13                  | 4           |   |
| 2@         | 12220           | WASHER, LOCK 1/2" HIGH STRENGTH     | 26          |   |
| 3@         | 16073           | VIBRATOR ASSY., AIR                 | 4           |   |
| 4@         | 16126           | ANGLE, BLADE CONNECT                | 2           |   |
| 6@         | 16515           | NUT, JAM 1-5/16"-16 RIGHT HAND      | 1           |   |
| 7@         | 16516           | NUT, JAM 1-5/16"-16 LEFT HAND       | 1           |   |
| 8@         | 16630           | WASHER, FLAT SAE 1/2" HIGH STRENGTH | 52          |   |
| 10@        | 2549            | SCREW, HHC 1/2"-13 X 3              | 4           |   |
| 11@        | 36707           | FRAME, STEEL 5' AIR .....           | 1           | REPLACES P/N 26047                        |
| 12@        | 16107           | BLADE, SCREED 5' X 3W               | 1           |   |
| 13@        | 16111           | BLADE, SCREED 5' X 2W               | 2           |   |
| 14@        | 26107           | BRACE, SECTION CONNECTING           | 1           |   |
| 15@        | 26124           | BRACKET, VIBRATOR MOUNTING          | 4           |   |
| 16@        | 26127           | FITTING, 90° 4MJ-1/8MP              | 4           |   |
| 17@        | 26131           | HOSE, AIR ASSY. 1/4" X 24           | 4           |   |
| 18@        | 26199           | CAP, PIPE CAP PLUGS RCL-16          | 2           |   |
| 23@        | 3242            | SCREW, HHC 1/2"-13 X 1-3/4"         | 4           |   |
| 24@        | 5218            | SCREW, HHC 1/2"-13 X 1-1/2"         | 18          |   |
| 25@        | 968011          | NUT, HEX FINISH 1/2"-13             | 26          |   |
| 27@        | 26328           | NUT, FLANGED .5                     | 4           |   |
| 28@        | 26073           | STUD, 1/2"-NC X 14 LG               | 1           |   |
| 29@        | 26132           | FITTING, NIPPLE 1/4MP-1             | 1           |   |
| 30@        | 26128           | FITTING, TEE 1/4FP                  | 1           |   |
| 31         | WSHA50          | SCREED, AIR 5' SECTION ASSY.....    | 1           | INCLUDES ITEMS W/@<br>NO LONGER AVAILABLE |
| 32@        | 46272           | NUT, FLANGED 3/8"-16                | 4           |   |
| 33@        | 46265           | TURNBUCKLE, LH                      | 1           |   |
| 34@        | 46266           | TURNBUCKLE, RH                      | 1           |   |
| 35@        | 46271           | SCREW, HHF 3/8"-16 X 1-3/4"         | 4           |   |

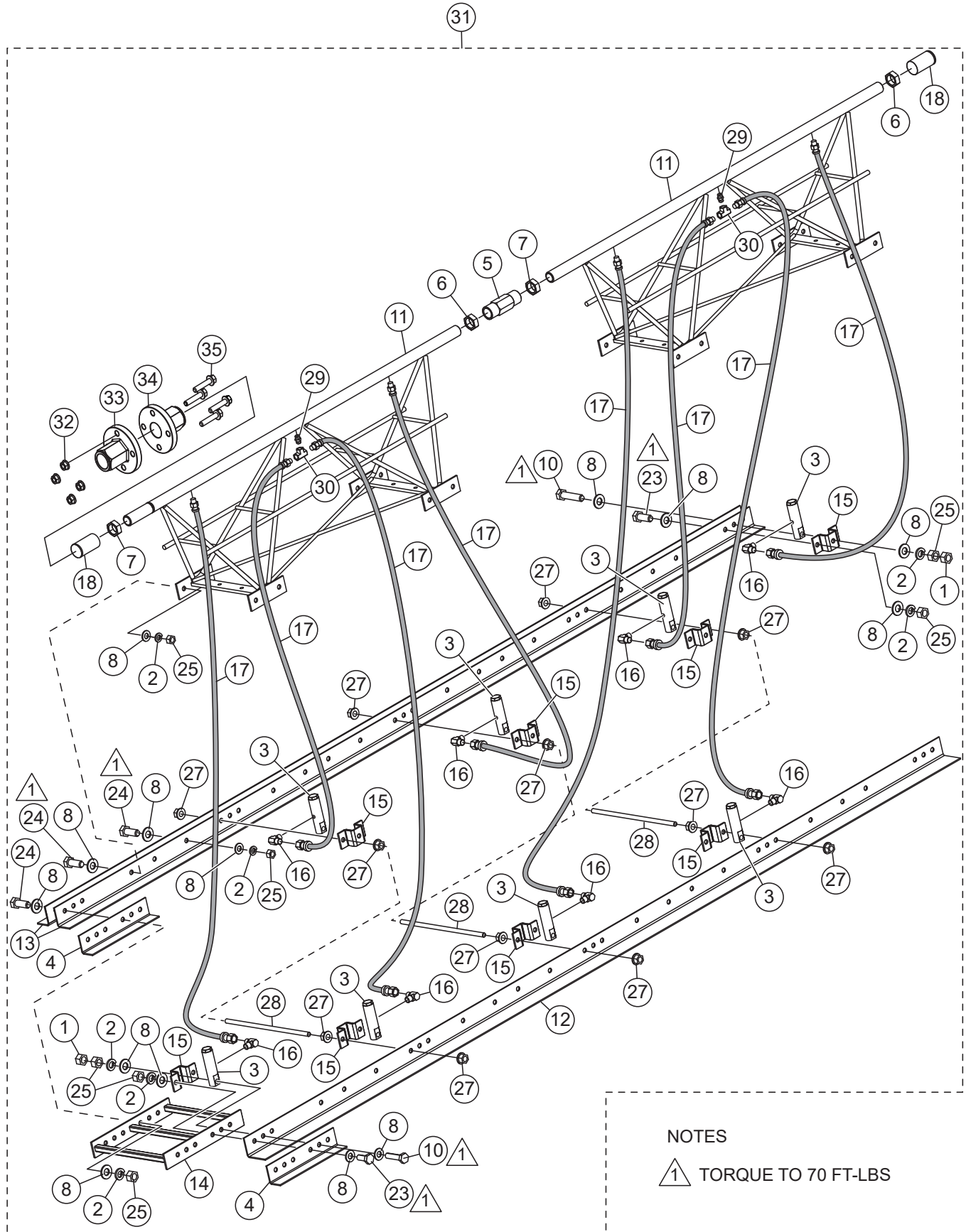
# WSHA75 SECTION ASSY.



## WSHA75 SECTION ASSY.

| <u>NO.</u> | <u>PART NO.</u> | <u>PART NAME</u>                    | <u>QTY.</u> | <u>REMARKS</u>                            |
|------------|-----------------|-------------------------------------|-------------|---|
| 1@         | 10176           | NUT, NYLOC 1/2"-13                  | 6           |   |
| 2@         | 12220           | WASHER, LOCK 1/2" HIGH STRENGTH     | 36          |   |
| 3@         | 16073           | VIBRATOR ASSY., AIR                 | 6           |   |
| 4@         | 16126           | ANGLE, BLADE CONNECT                | 2           |   |
| 6@         | 16515           | NUT, JAM 1-5/16"-16 RIGHT HAND      | 1           |   |
| 7@         | 16516           | NUT, JAM 1-5/16"-16 LEFT HAND       | 1           |   |
| 8@         | 16630           | WASHER, FLAT SAE 1/2" HIGH STRENGTH | 72          |   |
| 10@        | 2549            | SCREW, HHC 1/2"-13 X 3              | 6           |   |
| 11@        | 36708           | FRAME, STEEL 7-1/2' AIR.....        | 1           | REPLACES P/N 26049                        |
| 12@        | 16108           | BLADE, SCREED 7-1/2' X 3W           | 1           |   |
| 13@        | 16112           | BLADE, SCREED 7-1/2' X 2W           | 2           |   |
| 14@        | 26107           | BRACE, SECTION CONNECTING           | 1           |   |
| 15@        | 26124           | BRACKET, VIBRATOR MOUNTING          | 6           |   |
| 16@        | 26127           | FITTING, 90° 4MJ-1/8MP              | 6           |   |
| 17@        | 26131           | HOSE, AIR ASSY. 1/4" X 24           | 6           |   |
| 18@        | 26199           | CAP, PIPE CAP PLUGS RCL-16          | 2           |   |
| 23@        | 3242            | SCREW, HHC 1/2"-13 X 1-3/4"         | 4           |   |
| 24@        | 5218            | SCREW, HHC 1/2"-13 X 1-1/2"         | 26          |   |
| 25@        | 968011          | NUT, HEX FINISH 1/2"-13             | 36          |   |
| 27@        | 26328           | NUT, FLANGED .5                     | 8           |   |
| 28@        | 26073           | STUD, 1/2"-NC X 14 LG               | 2           |   |
| 29@        | 26132           | FITTING, NIPPLE 1/4MP-1             | 2           |   |
| 30@        | 26128           | FITTING, TEE 1/4FP                  | 2           |   |
| 31@        | 16185           | FITTING, PLUG 1/4" MP SQ. HEAD      | 1           |   |
| 32         | WSHA75          | SCREED, AIR 7.5' SECTION ASSY.....  | 1           | INCLUDES ITEMS W/@<br>NO LONGER AVAILABLE |
| 33@        | 46272           | NUT, FLANGED 3/8"-16                | 4           |   |
| 34@        | 46265           | TURNBUCKLE, LH                      | 1           |   |
| 35@        | 46266           | TURNBUCKLE, RH                      | 1           |   |
| 36@        | 46271           | SCREW, HHF 3/8"-16 X 1-3/4"         | 4           |   |

# WSHA100 SECTION ASSY.



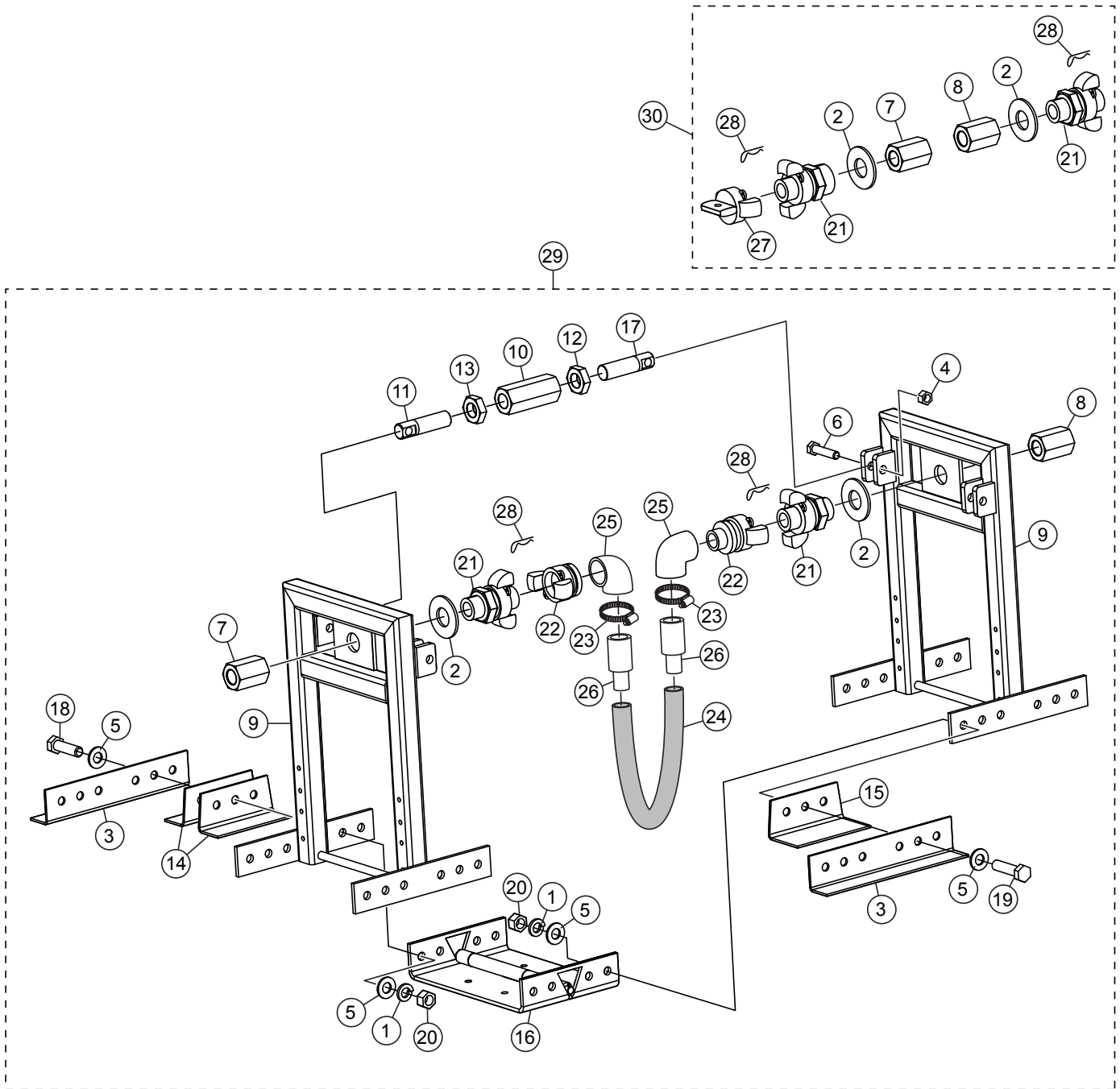
## NOTES

▲ TORQUE TO 70 FT-LBS

## WSHA100 SECTION ASSY.

| <u>NO.</u> | <u>PART NO.</u> | <u>PART NAME</u>                    | <u>QTY.</u> | <u>REMARKS</u>                            |
|------------|-----------------|-------------------------------------|-------------|---|
| 1@         | 10176           | NUT, NYLOC 1/2"-13                  | 8           |   |
| 2@         | 12220           | WASHER, LOCK 1/2" HIGH STRENGTH     | 46          |   |
| 3@         | 16073           | VIBRATOR ASSY., AIR                 | 8           |   |
| 4@         | 16126           | ANGLE, BLADE CONNECT                | 2           |   |
| 5@         | 16514           | TURNBUCKLE, 1-5/16"-16              | 1           |   |
| 6@         | 16515           | NUT, JAM 1-5/16"-16 RIGHT HAND      | 2           |   |
| 7@         | 16516           | NUT, JAM 1-5/16"-16 LEFT HAND       | 2           |   |
| 8@         | 16630           | WASHER, FLAT SAE 1/2" HIGH STRENGTH | 92          |   |
| 10@        | 2549            | SCREW, HHC 1/2"-13 X 3              | 8           |   |
| 11@        | 36707           | FRAME, STEEL 5' AIR .....           | 2           | REPLACES P/N 26047                        |
| 12@        | 16109           | BLADE, SCREED 10' X 3W              | 1           |   |
| 13@        | 16113           | BLADE, SCREED 10' X 2W              | 2           |   |
| 14@        | 26107           | BRACE, SECTION CONNECTING           | 1           |   |
| 15@        | 26124           | BRACKET, VIBRATOR MOUNTING          | 8           |   |
| 16@        | 26127           | FITTING, 90° 4MJ-1/8MP              | 8           |   |
| 17@        | 26131           | HOSE, AIR ASSY. 1/4" X 24           | 8           |   |
| 18@        | 26199           | CAP, PIPE CAP PLUGS RCL-16          | 2           |   |
| 23@        | 3242            | SCREW, HHC 1/2"-13 X 1-3/4"         | 4           |   |
| 24@        | 5218            | SCREW, HHC 1/2"-13 X 1-1/2"         | 34          |   |
| 25@        | 968011          | NUT, HEX FINISH 1/2"-13             | 46          |   |
| 27@        | 26328           | NUT, FLANGED .5                     | 12          |   |
| 28@        | 26073           | STUD, 1/2"-NC X 14 LG               | 3           |   |
| 29@        | 26132           | FITTING, NIPPLE 1/4MP-1             | 2           |   |
| 30@        | 26128           | FITTING, TEE 1/4FP                  | 2           |   |
| 31         | WSHA100         | SCREED, AIR 10' SECTION ASSY.....   | 1           | INCLUDES ITEMS W/@<br>NO LONGER AVAILABLE |
| 32@        | 46272           | NUT, FLANGED 3/8"-16                | 4           |   |
| 33@        | 46265           | TURNBUCKLE, LH                      | 1           |   |
| 34@        | 46266           | TURNBUCKLE, RH                      | 1           |   |
| 35@        | 46271           | SCREW, HHF 3/8"-16 X 1-3/4"         | 4           |   |

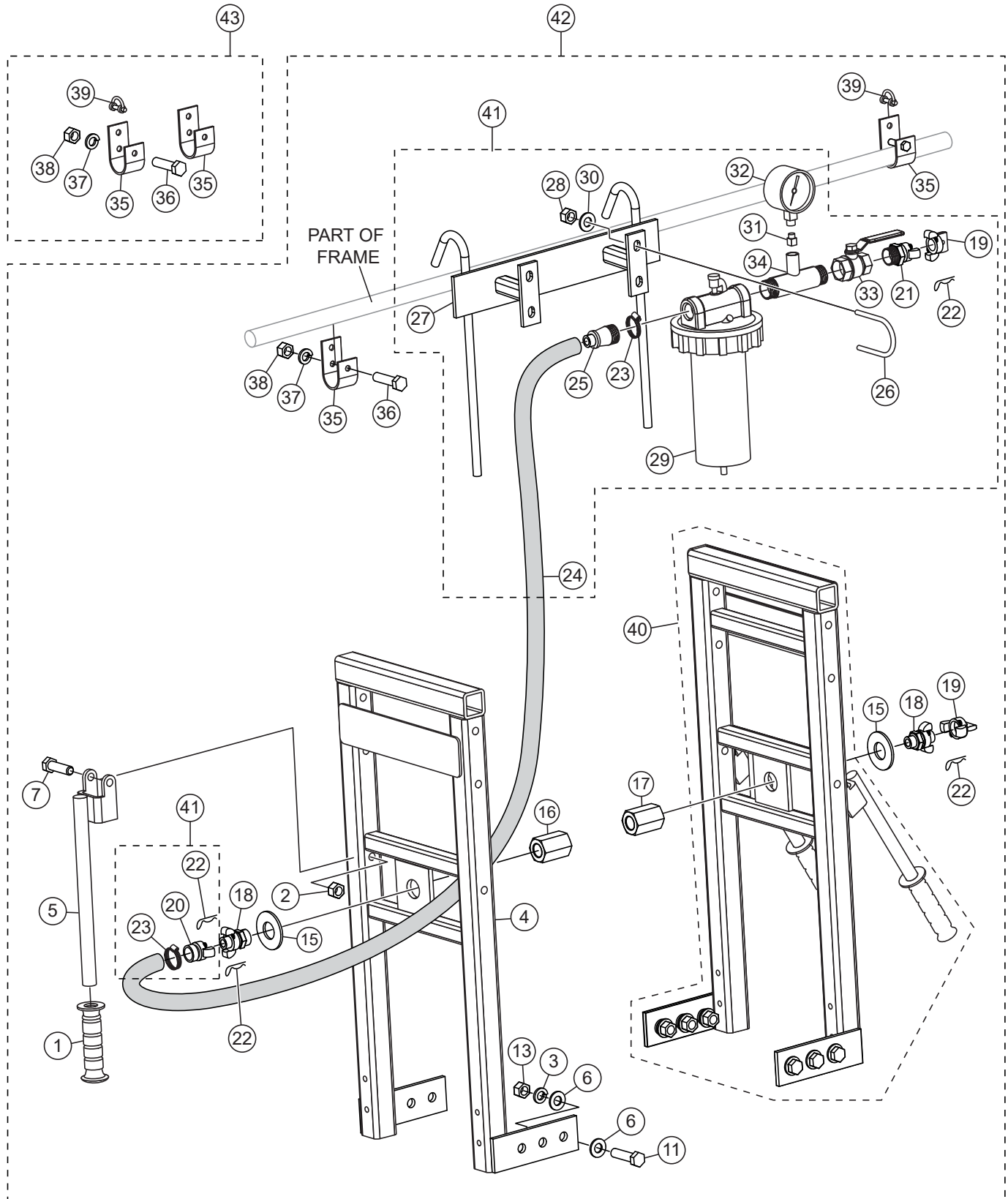
# WSHAIC INVERT/CROWN KIT ASSY.



## WSHAIC INVERT/CROWN KIT ASSY.

| <u>NO.</u> | <u>PART NO.</u> | <u>PART NAME</u>                 | <u>QTY.</u> | <u>REMARKS</u>                            |
|------------|-----------------|----------------------------------|-------------|---|
| 1@         | 12220           | WASHER, LOCK, 1/2" HIGH STRENGTH | 18          |   |
| 2@%        | 13108           | WASHER, FLAT 1-1/8" USS          | 2           |   |
| 3@         | 16126           | ANGLE, BLADE CONNECTOR           | 4           |   |
| 4@         | 16629           | NUT, NYLOC 1/2"-13               | 4           |   |
| 5@         | 16630           | WASHER, FLAT 1/2" SAE HARDENED   | 36          |   |
| 6@         | 16781           | SCREW, HHC 1/2"-13 X 2-1/4"      | 4           |   |
| 7@%        | 26259           | ADAPTER, STABILIZER END R/H      | 1           |   |
| 8@%        | 26258           | ADAPTER, STABILIZER END L/H      | 1           |   |
| 9@         | 26347           | INVERT, CROWN TOWER              | 2           |   |
| 10@        | 26350           | TURNBUCKLE, INVERT/CROWN         | 2           |   |
| 11@        | 26352           | ROD, RH TURNBUCKLE               | 2           |   |
| 12@        | 26353           | NUT, JAM LH 1-14                 | 2           |   |
| 13@        | 26354           | NUT, JAM RH 1-14                 | 2           |   |
| 14@        | 26355           | BLADE, SECTION-FRONT             | 4           |   |
| 15@        | 26356           | BLADE, SECTION-BACK              | 2           |   |
| 16@        | 26361           | HINGE, INVERT/CROWN              | 1           |   |
| 17@        | 26364           | ROD, LH TURNBUCKLE               | 2           |   |
| 18@        | 3242            | SCREW, HHC 1/2"-13 X 1-3/4"      | 10          |   |
| 19@        | 6159 A          | SCREW, HHC 1/2"-13 X 2           | 8           |   |
| 20@        | 968011          | NUT, HEX FINISH 1/2"-13          | 18          |   |
| 21@%       | 26153           | FITTING, CROWSFOOT 3/4" MP       | 2           |   |
| 22@%       | 26146           | FITTING, CROWSFOOT 1" MP         | 2           |   |
| 23@        | 26405           | CLAMP, 1-3/4" HOSE               | 2           |   |
| 24@        | 26904           | HOSE, 100R4 1" X 18"             | 1           |   |
| 25@        | 5081            | FITTING, 90° IFP - IFP           | 2           |   |
| 26@        | 26150           | FITTING, STR -16 BARB - 1MP      | 2           |   |
| 27%        | 26416           | FITTING, CROWSFOOT BLANK END     | 1           |   |
| 28@%       | 26147           | SAFETY CLIP, CROWS FOOT          | 2           |   |
| 29         | WSHAIC          | INVERT/CROWN KIT, WSHAIC.....    | 1.....      | INCLUDES ITEMS W/@<br>NO LONGER AVAILABLE |
| 30         | 26434           | KIT, HARDWARE AIR.....           | 1.....      | INCLUDES ITEMS W%                         |

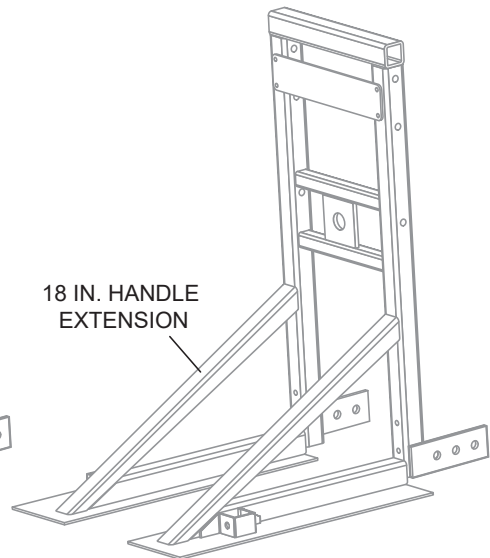
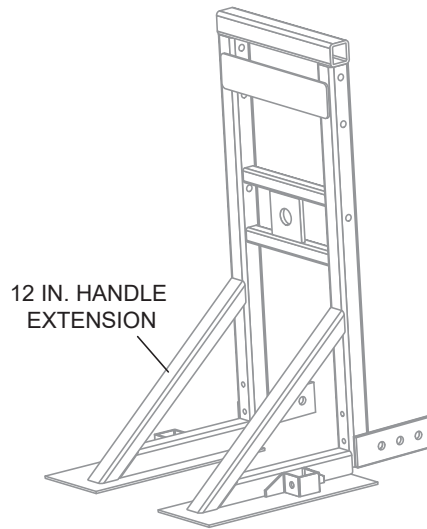
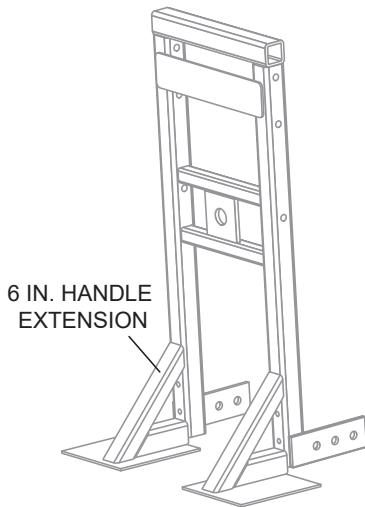
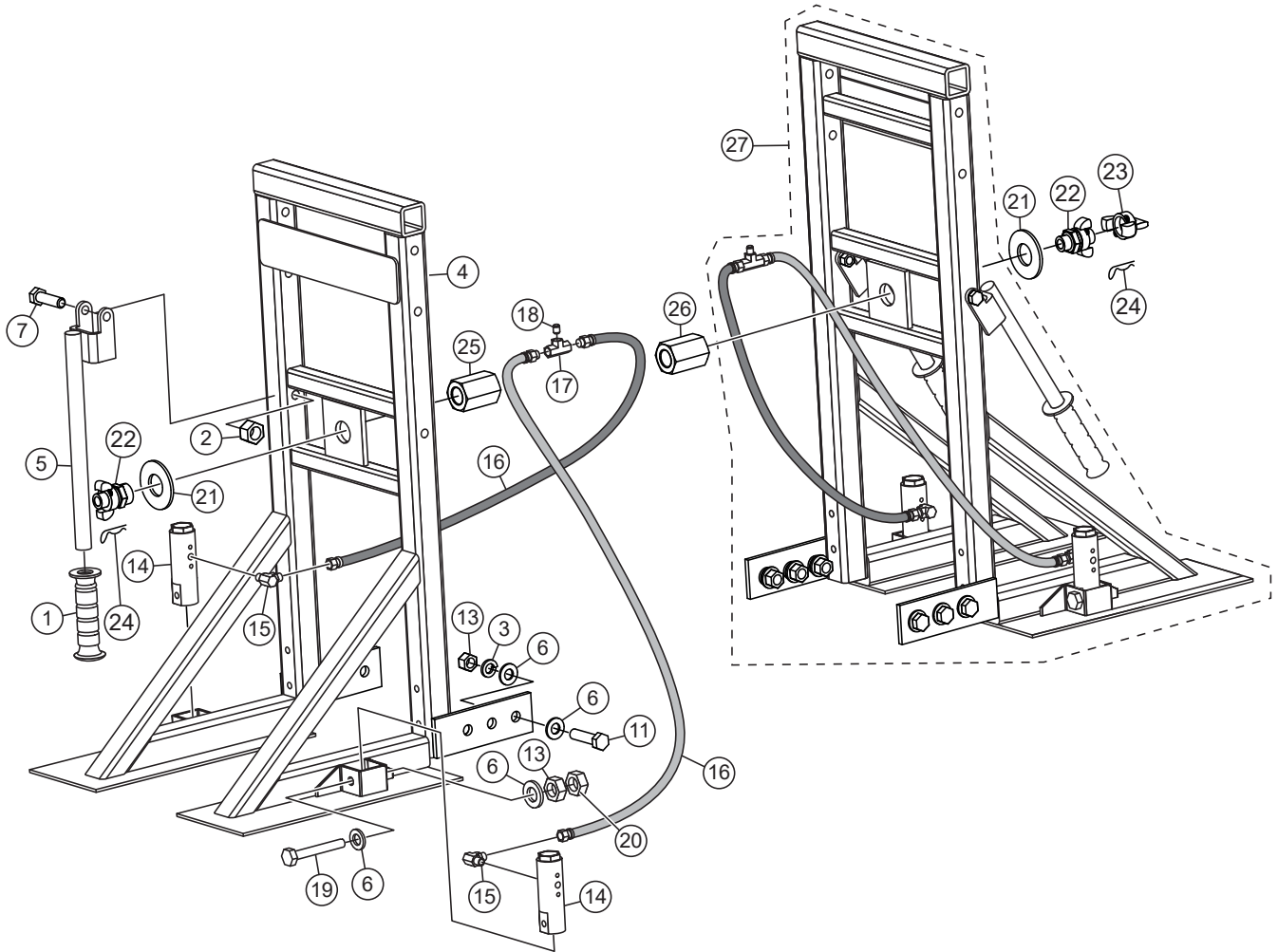
# WSHAH END HANDLE KIT ASSY.



## WSHAH END HANDLE KIT ASSY.

| <u>NO.</u> | <u>PART NO.</u> | <u>PART NAME</u>                     | <u>QTY.</u> | <u>REMARKS</u>                            |
|------------|-----------------|--------------------------------------|-------------|---|
| 1@#        | 0189            | GRIP, HANDLE                         | 4           |   |
| 2@#        | 10133           | NUT, NYLOC 3/8"-16                   | 4           |   |
| 3@#        | 12220           | WASHER, LOCK 1/2" HIGH STRENGTH      | 12          |   |
| 4@#        | 16159           | FRAME, END ADAPTOR                   | 2           |   |
| 5@#        | 16195           | HANDLE, SCREED                       | 4           |   |
| 6@#        | 16630           | WASHER, FLAT 1/2" SAE HARDENED       | 24          |   |
| 7@#        | 1665            | SCREW, HHC 3/8"-16 X 2               | 4           |   |
| 11@#       | 5218            | SCREW, HHC 1/2"-13 X 1-1/2"          | 12          |   |
| 13@#       | 968011          | NUT, HEX FINISH 1/2"-13              | 12          |   |
| 15@        | 13108           | WASHER, FLAT USS 1-1/8"              | 2           |   |
| 16@        | 26258           | ADAPTER, STABILIZER END L/H          | 1           |   |
| 17@        | 26259           | ADAPTER, STABILIZER END R/H          | 1           |   |
| 18@        | 26153           | FITTING, CROWSFOOT 3/4" MP           | 2           |   |
| 19@+       | 26416           | FITTING, CROWSFOOT-BLANK END         | 2           |   |
| 20@+       | 26149           | FITTING, CROWSFOOT 1" BARB PLTD.     | 1           |   |
| 21@+       | 26146           | FITTING, CROWSFOOT 1" MP             | 1           |   |
| 22@+       | 26147           | SAFETY CLIP, CROWS FOOT              | 4           |   |
| 23@+       | 26405           | CLAMP, HOSE WORM #20 13/16" - 1-3/4" | 2           |   |
| 24@+       | 36428           | HOSE, 200PSI 1" X 60" RED HORIZON    | 1           |   |
| 25@+       | 26150           | FITTING, STR-16 BARB - 1MP           | 1           |   |
| 26@+       | 26141           | U-BOLT, 5/16"-18 X 1 PIPE            | 2           |   |
| 27@+       | 26136           | BRACKET, OILER & GAUGE HANGER        | 1           |   |
| 28@+       | 5283            | NUT, NYLOC 5/16"-18                  | 4           |   |
| 29@+       | 26142           | OILER, 1" SCH-B MB3-08L54BCSB        | 1           |   |
| 30@+       | 0300 B          | WASHER, FLAT 5/16" SAE               | 4           |   |
| 31@+       | 16185           | FITTING, PLUG 1/4" MP SQ HEAD        | 1           |   |
| 32@+       | 26144           | GAUGE, 1/4" 200 PSI                  | 1           |   |
| 33@+       | 26145           | VALVE, BALL 1.0 NPT BRASS            | 1           |   |
| 34@+       | 26143           | ADAPTER, GAUGE                       | 1           |   |
| 35@%       | 26085           | HANGER, SCREED LIFTING               | 2           |   |
| 36@%       | 4370            | SCREW, HHC 3/8"-16 X 2-1/4"          | 2           |   |
| 37@%       | 0166 A          | WASHER, LOCK 3/8" MED                | 2           |   |
| 38@%       | 1456            | NUT, HEX FINISH 3/8"-16              | 2           |   |
| 39@%       | 26135           | SHACKLE, HANGER                      | 2           |   |
| 40         | 26108           | END HANDLE ASSY.....                 | 1           | INCLUDES ITEMS W/#                        |
| 41         | 26412           | AIR CONTROL SYSTEM ASSY.....         | 1           | INCLUDES ITEMS W/+                        |
| 42         | WSHAH           | END HANDLE KIT, AIR.....             | 1           | INCLUDES ITEMS W/@<br>NO LONGER AVAILABLE |
| 43         | 26436           | KIT, HARDWARE, HANGER.....           | 1           | INCLUDES ITEMS W/%                        |

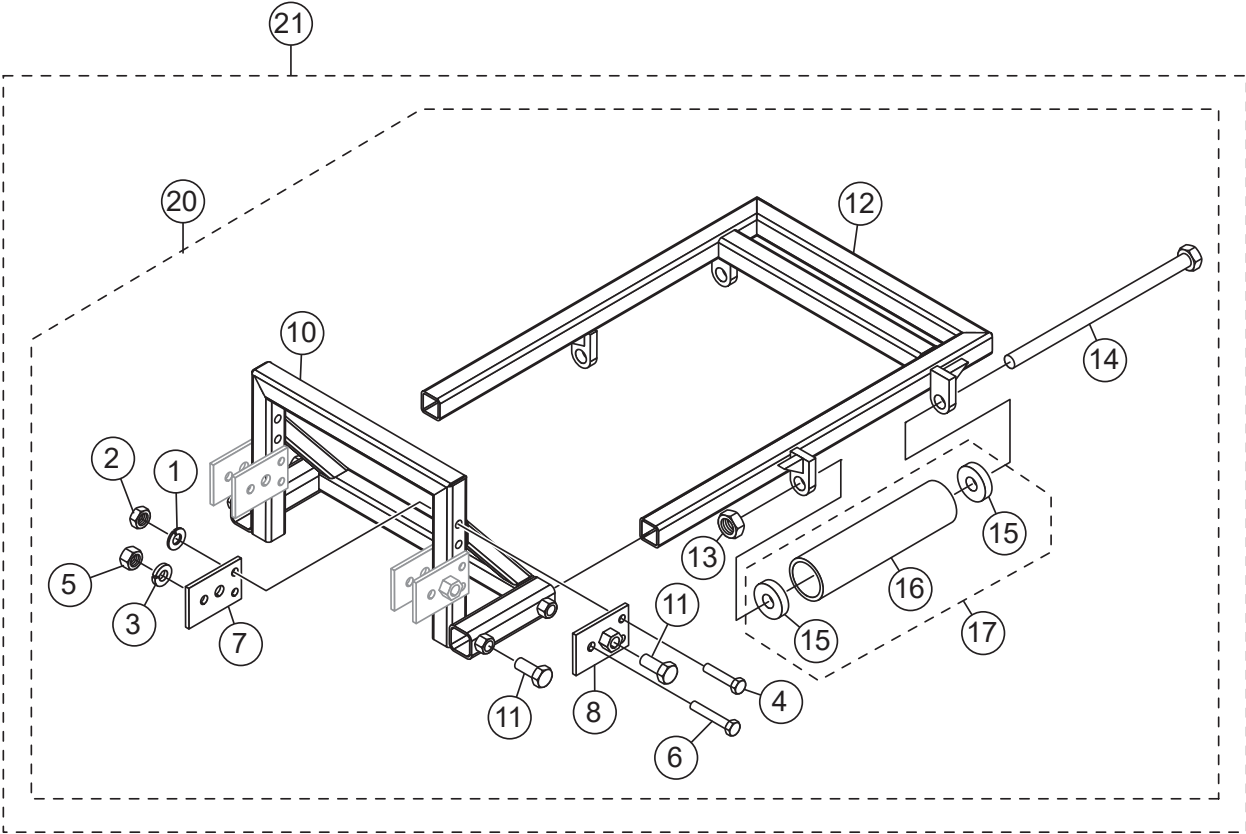
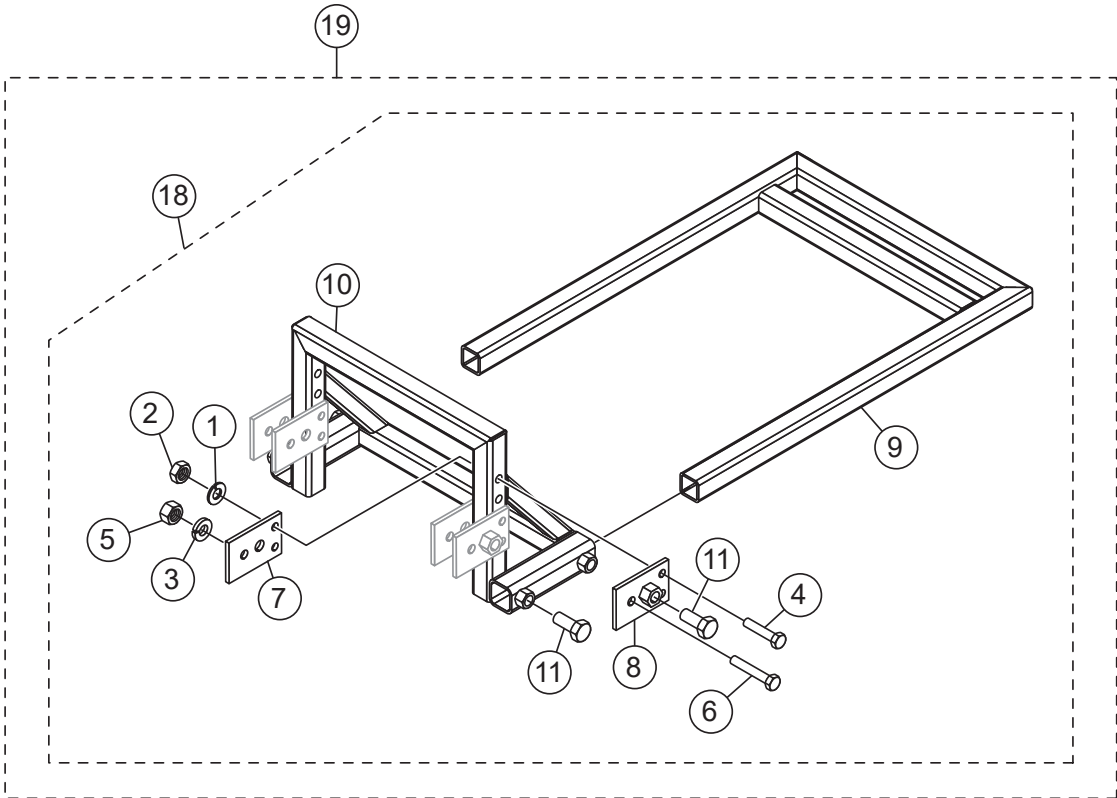
# WSHAEXT6/12/18 END HANDLE EXTENSION KIT ASSY.



## WSHAEXT6/12/18 END HANDLE EXTENSION KIT ASSY.

| <u>NO.</u> | <u>PART NO.</u> | <u>PART NAME</u>                | <u>QTY.</u> | <u>REMARKS</u>      |
|------------|-----------------|---------------------------------|-------------|---------------------|
| 1#\$\$@    | 0189            | GRIP, HANDLE                    | 4           |                     |
| 2#\$\$@    | 10133           | NUT, NYLOC 3/8"-16              | 4           |                     |
| 3#\$\$@    | 12220           | WASHER, LOCK 1/2" HIGH STRENGTH | 12          |                     |
| 4#         | 26375           | 6IN HANDLE EXT., AIR END        | 2           |                     |
| 4\$        | 26378           | 12IN HANDLE EXT., AIR END       | 2           |                     |
| 4@         | 26379           | 18IN HANDLE EXT., AIR END       | 2           |                     |
| 5#\$\$@    | 16195           | HANDLE, SCREED                  | 4           |                     |
| 6#         | 16630           | WASHER, FLAT 1/2" SAE HARDENED  | 24          |                     |
| 6\$@       | 16630           | WASHER, FLAT 1/2" SAE HARDENED  | 30          |                     |
| 7#\$\$@    | 1665            | SCREW, HHC 3/8"-16 X 2          | 4           |                     |
| 11#\$\$@   | 5218            | SCREW, HHC 1/2"-13 X 1-1/2"     | 12          |                     |
| 13#        | 968011          | NUT, HEX FINISH 1/2"-13         | 12          |                     |
| 13\$@      | 968011          | NUT, HEX FINISH 1/2"-13         | 16          |                     |
| 14\$@      | 16073           | VIBRATOR ASSY.                  | 4           |                     |
| 15\$@      | 26127           | FITTING, 90° 4MJ-2MP            | 4           |                     |
| 16\$@      | 26399           | HOSE, AIR ASSY. 1/4" X 36       | 4           |                     |
| 17\$@      | 26128           | FITTING, TEE 1/4FP              | 2           |                     |
| 18\$@      | 26132           | FITTING, NIPPLE 1/4MP-1         | 2           |                     |
| 19\$@      | 2549            | SCREW, HHC 1/2"-13 X 3          | 4           |                     |
| 20\$@      | 10176           | NUT, NYLOC 1/2"-13              | 4           |                     |
| 21         | 13108           | WASHER, FLAT USS 1-1/8"         | 2           |                     |
| 22         | 26153           | FITTING, CROWSFOOT 3/4" MP MP   | 2           |                     |
| 23         | 26416           | FITTING, CROWSFOOT-BLANK END    | 1           |                     |
| 24         | 26147           | SAFETY CLIP, CROWSFOOT          | 2           |                     |
| 25         | 26258           | ADAPTOR, STABILIZER END, LH-AIR | 1           |                     |
| 26         | 26259           | ADAPTOR, STABILIZER END, RH-AIR | 1           |                     |
| 27         | 26415           | 6" HANDLE ASSY.....             | 1           | INCLUDES ITEMS W/#  |
| 27         | 26392           | 12" HANDLE EXT. ASSY.....       | 1           | INCLUDES ITEMS W/\$ |
| 27         | 26393           | 18" HANDLE EXT. ASSY.....       | 1           | INCLUDES ITEMS W/@  |

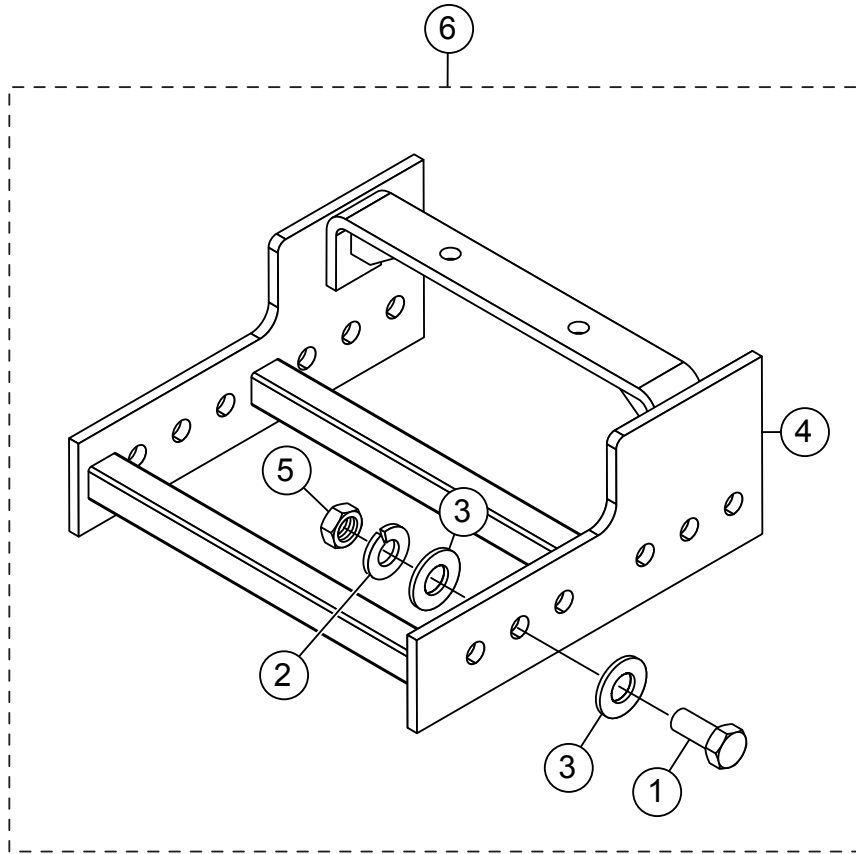
# WSKITAEB-R ADJUSTABLE END BRACKET ASSY.



## WSKITAEB-R ADJUSTABLE END BRACKET ASSY.

| <u>NO.</u> | <u>PART NO.</u> | <u>PART NAME</u>                           | <u>QTY.</u> | <u>REMARKS</u>      |
|------------|-----------------|--|-------------|---------------------|
| 1#\$\$◆    | 0161 C          | WASHER, LOCK, 5/16" MED.                   | 8           |                     |
| 2#\$\$◆    | 0161 D          | NUT, HEX FINISH 5/16"-18                   | 8           |                     |
| 3#\$\$◆    | 0166 A          | WASHER, LOCK 3/8" MED.                     | 4           |                     |
| 4#\$\$◆    | 0300 A          | SCREW, HHC 5/16"-18 X 2.....               | 8           | REPLACES P/N 1207   |
| 5#\$\$◆    | 1456            | NUT, HEX FINISH 3/8"-16                    | 4           |                     |
| 6#\$\$◆    | 1665            | SCREW, HHC 3/8" X 16 X 2                   | 4           |                     |
| 7#\$\$◆    | 26497           | PLATE, BOLT                                | 4           |                     |
| 8#\$\$◆    | 26504           | PLATE, OUTER                               | 4           |                     |
| 9#\$       | 26505           | ARM, SLIDE                                 | 1           |                     |
| 10#\$\$◆   | 26507           | BRACKET, ARM HOLDER                        | 1           |                     |
| 11 #\$\$◆  | 2691            | SCREW, HHC 1/2"-13 X 1                     | 8           |                     |
| 12%◆       | 26508           | ARM, ROLLER                                | 1           |                     |
| 13%◆       | 10176           | NUT, NYLOC 1/2"-13                         | 2           |                     |
| 14%◆       | 26501           | SCREW, HHC 1/2"-13 X 8                     | 2           |                     |
| 15@%◆      | 26502           | BEARING, ROLLER                            | 4           |                     |
| 16@%◆      | 26500           | ROLLER, END BRACKET                        | 2           |                     |
| 17%◆       | 26545           | ROLLER ASSY. ....                          | 2           | INCLUDES ITEMS W/@  |
| 18\$       | 26514           | ADJUSTABLE END BRACKET ASSY.....           | 2           | INCLUDES ITEMS W/#  |
| 19         | WSKITAEB        | ADJUSTABLE END BRACKET KIT .....           | 1           | INCLUDES ITEMS W/\$ |
|            |                 | .....                                      |             | NO LONGER AVAILABLE |
| 20◆        | 26509           | ADJUSTABLE END BRACKET W/ROLLERS .....     | 2           | INCLUDES ITEMS W/%  |
| 21         | WSKITAEBR       | ADJUSTABLE END BRACKET W/ROLLERS KIT ..... | 1           | INCLUDES ITEMS W/◆  |

# WSHRBE KIT ASSY.

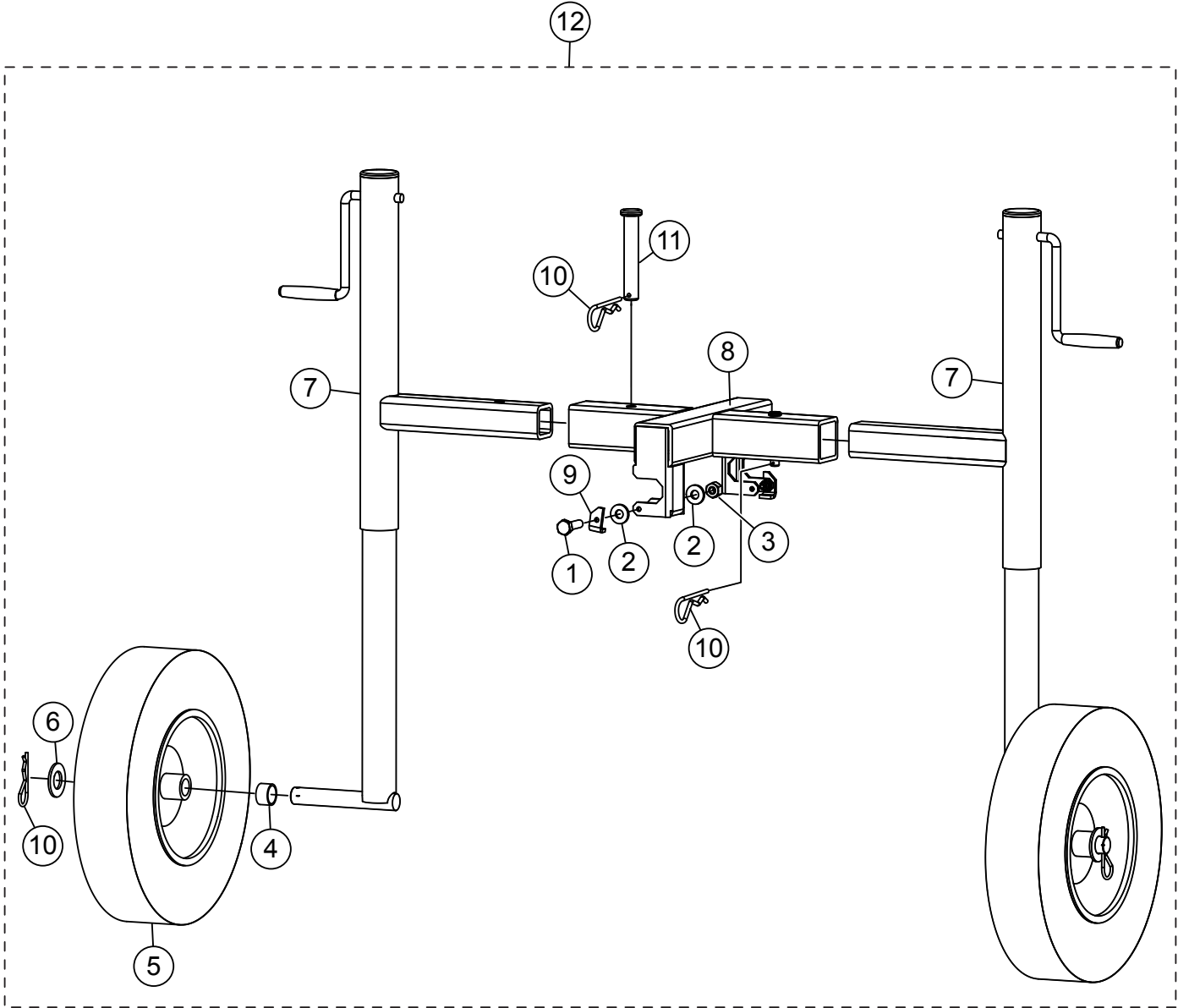


## WSHRBE KIT ASSY.

---

| <u>NO.</u> | <u>PART NO.</u> | <u>PART NAME</u>                 | <u>QTY.</u> | <u>REMARKS</u>     |
|------------|-----------------|----------------------------------|-------------|--------------------|
| 1#         | 5218            | SCREW, HHC 1/2"-13 X 1-1/2"      | 12          |                    |
| 2#         | 12220           | WASHER, LOCK, 1/2" HIGH STRENGTH | 12          |                    |
| 3#         | 16630           | WASHER, FLAT 1/2" SAE HARDENED   | 24          |                    |
| 4#         | 36203           | BRACKET, REINFORCEMENT           | 1           |                    |
| 5#         | 968011          | NUT, HEX FINISH 1/2"-13          | 12          |                    |
| 6          | WSHRBE          | REINFORCEMENT BRACKET ASSY.....  | 1.....      | INCLUDES ITEMS W/# |

**EZ MOVER ASSY.**



## EZ MOVER ASSY.

---

| <u>NO.</u> | <u>PART NO.</u> | <u>PART NAME</u>                 | <u>QTY.</u> | <u>REMARKS</u>     |
|------------|-----------------|----------------------------------|-------------|--------------------|
| 1@         | 0730            | SCREW, HHC 1/4"-20 X 1           | 2           |                    |
| 2@         | 0948            | WASHER, FLAT SAE 1/4"            | 4           |                    |
| 3@         | 10024           | NUT, NYLOC 1/4"-20               | 2           |                    |
| 4@         | 12285           | SPACER, WHEEL EZ MOVER           | 2           |                    |
| 5@         | 12333           | TIRE, EZ MOVER                   | 2           |                    |
| 6@         | 3264            | WASHER, FLAT SAE 1.00            | 2           |                    |
| 7@         | 36237           | JACK                             | 2           |                    |
| 8@         | 36241           | MOUNT, TOP PIPE                  | 1           |                    |
| 9@         | 36245           | LATCH, JACK                      | 2           |                    |
| 10@        | 7170            | PIN, HITCH CLIP 5/32" X 3-5/16"  | 4           |                    |
| 11@        | 8081            | PIN, CLEVIS 1/2" X 2-3/4"        | 2           |                    |
| 12         | 36243           | EZ MOVER, SCREED JACK ASSY. .... | 1.....      | INCLUDES ITEMS W/@ |