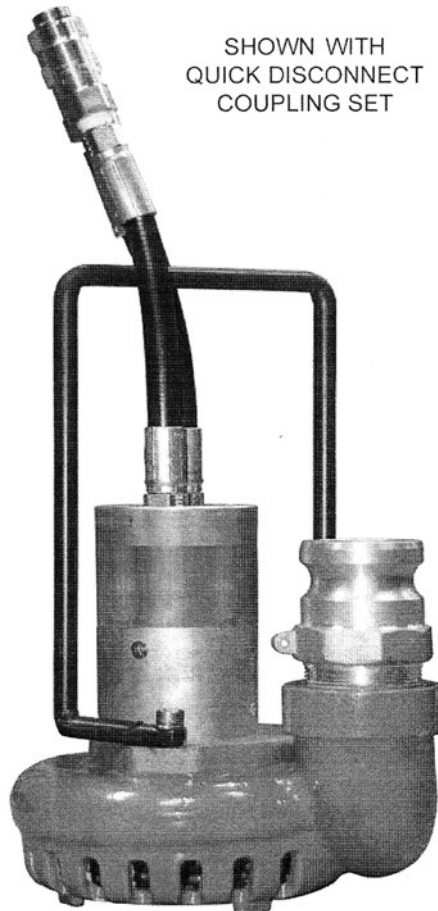




# 2" SUBMERSIBLE HYDRAPUMP INSTRUCTIONS

SHOWN WITH  
QUICK DISCONNECT  
COUPLING SET

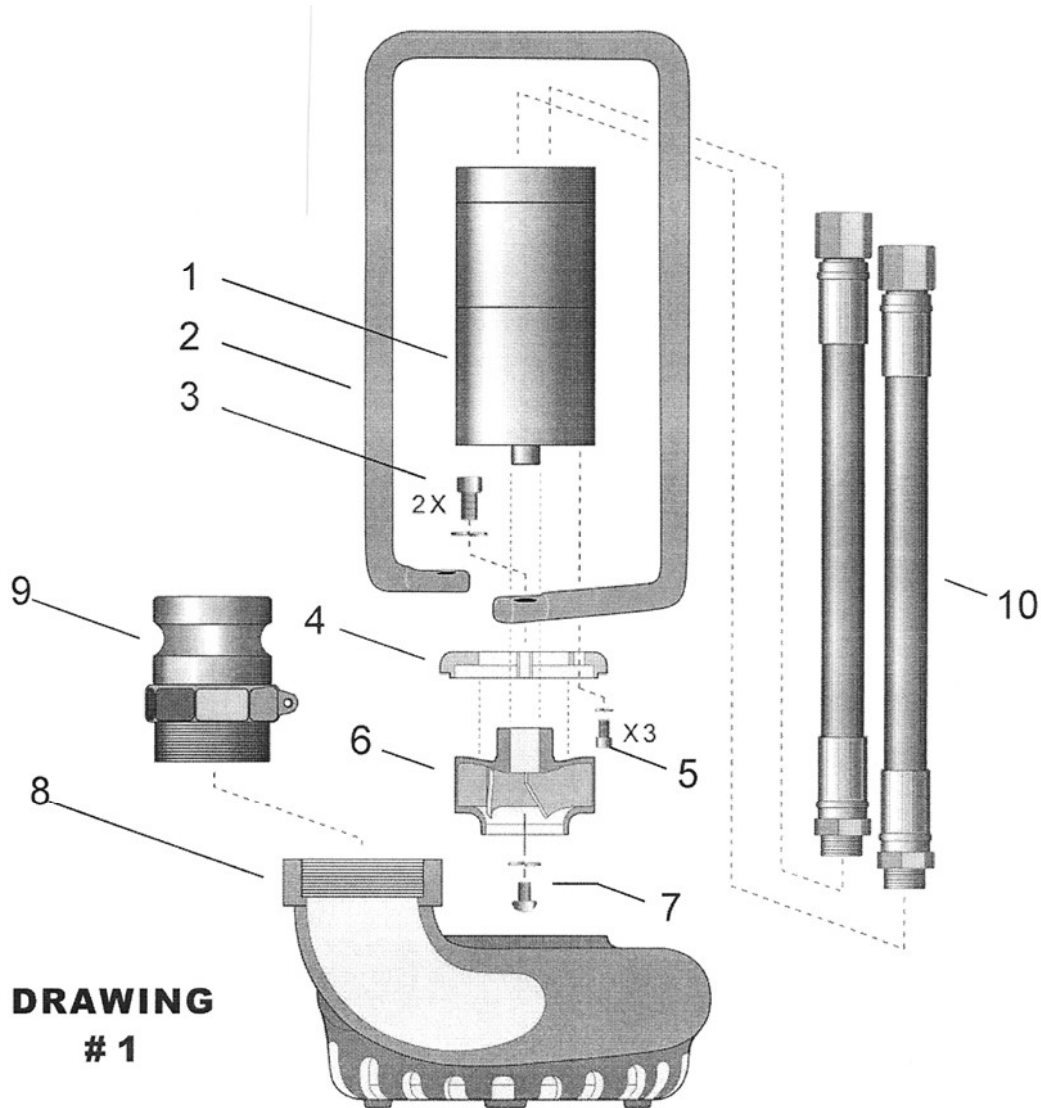


**REIMANN & GEORGER CORPORATION**  
**CONSTRUCTION PRODUCTS**  
P/N 612----

**BUFFALO, NY**  
2/16/11

## 6 PARTS LISTS

The following parts lists apply to the HydraPumps only. The parts list for the hydraulic power source is in the separate manual supplied for this item. Each item number on the following parts lists can be matched with the item number shown on the corresponding assembly drawing as indicated.



**DRAWING  
# 1**

NO.	NAME	QTY
1	MOTOR ..... EP201	1
2	HANDLE ..... R-SP2-H	1
3	BOLT & LOCK WASHER, HANDLE/FLANGE/VOLUTE	2
4	FLANGE ..... R-SP2-F	1
5	BOLT & LOCKWASHER, MOTOR/FLANGE	3
6	IMPELLER ..... EP203	1
7	BOLT & LOCKWASHER, IMPELLER/MOTOR	1
8	VOLUTE ..... EP202	1
9	F CONNECTOR, DISCHARGE ..... F	1
10	WHIP SET ..... SPECIFY	1