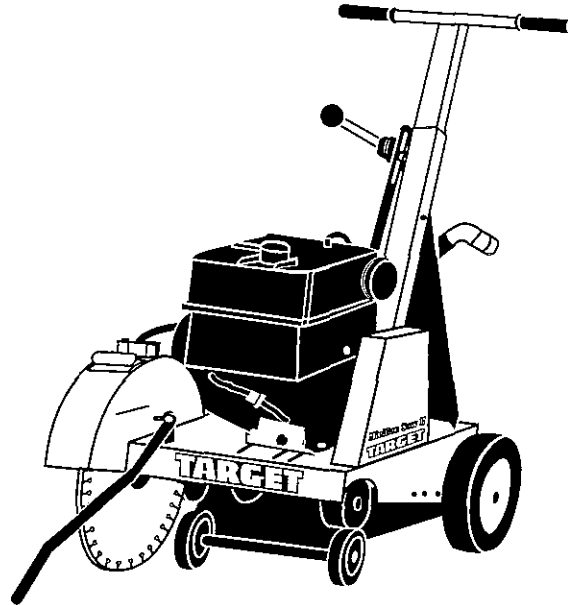


OPERATING INSTRUCTIONS AND PARTS LIST
INSTRUCCIONES DE OPERACIÓN Y LISTA DE PIEZAS

TARGET®



MINI CON II Concrete Saw

CONTENTS / CONTENIDO

ENGLISH	3-6
ESPAÑOL	7-10
PARTS LISTS/LISTA DE PIEZAS	11-15

TARGET®

PARTS LISTS
LISTA DE PIEZAS

FIGURE 1

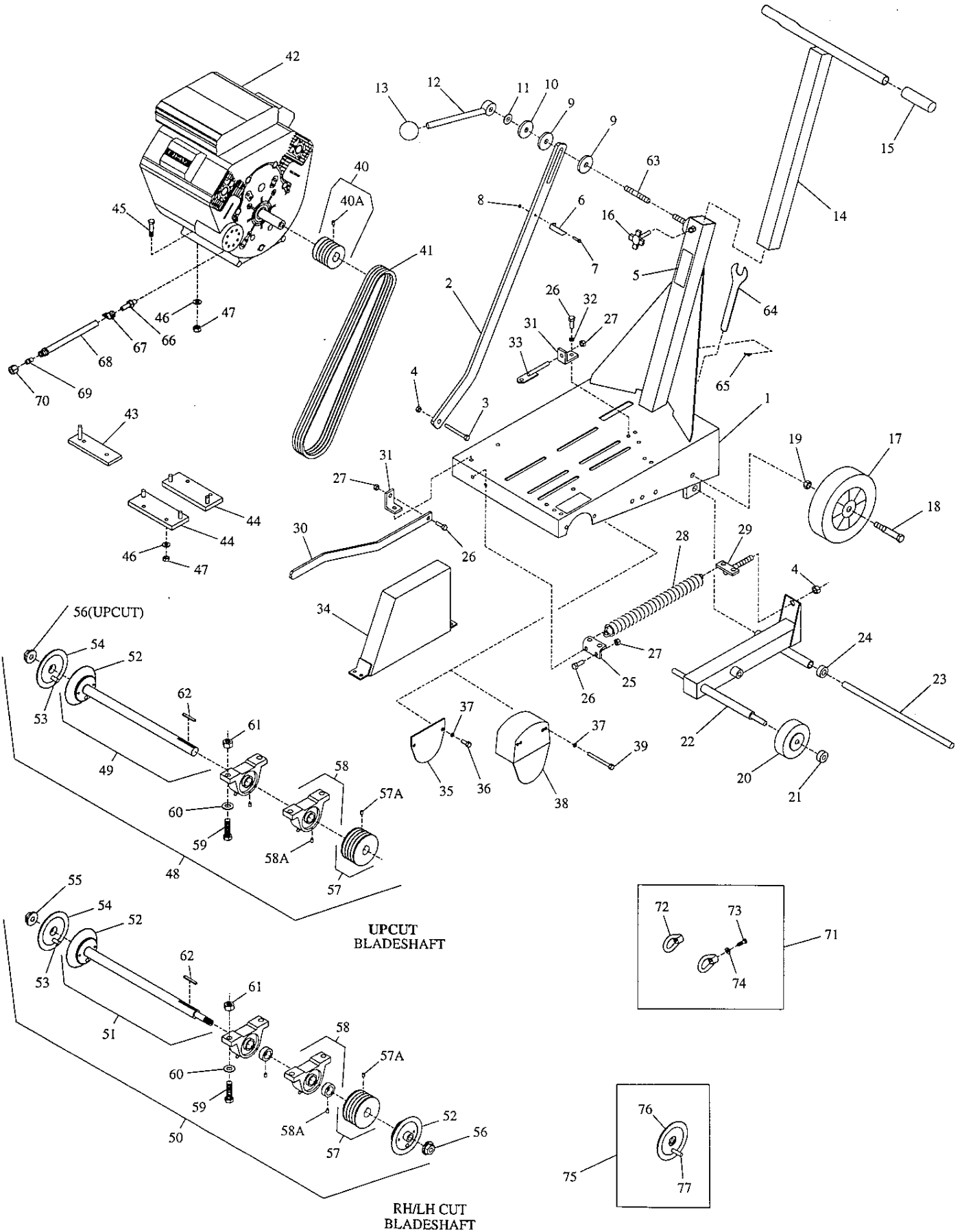


FIGURE 1 - PARTS LIST

DIAG LOC.	PART NO.	QTY. REQ.	DESCRIPTION (* Denotes Metric Item)	DIAG LOC.	PART NO.	QTY. REQ.	DESCRIPTION (* Denotes Metric Item)
1	139510	1	Frame Weldment	43	139622	2	Adapter Plate (13 H)
2	139560	1	Lock Bar		139787	2	Spacer Plate (9 BV)
3	163479	1	Capscrew, Hex Hd., 1/2"-13 x 4-1/4"	44	139538	1	Adapter Plate, RH (5HP Electric)
4	020201	2	Locknut, Fiber, 1/2"-13		139540	1	Adapter Plate, LH (5HP Electric)
5	139633	1	Decal - Depth of Cut	45	020377	4	Capscrew, Hex Hd., 3/8"-16 x 1-1/2" (7.5R)
6	139626	1	Pointer		048740	4	Capscrew, Hex Hd., 3/8"-16 x 1-1/4" (5E, 8KM)
7	020461	1	Machine Screw, #10-24 x 7/8"		020380	4	Capscrew, Hex Hd., 3/8"-16 x 1-3/4" (8 H)
8	020194	1	Locknut, Fiber, #10-24		020365	4	Capscrew, Hex Hd., 3/8"-16 x 2-1/4" (9 BV)
9	049513	2	Washer, Friction	46	020743	4	Washer, Flat, 3/8"
10	139562	1	Washer	47	020199	4	Locknut, Fiber, 3/8"-16
11	020766	1	Washer, 1/2" SAE	**48	139527	1	Blade Shaft Assy.-RH (3-7/8" Flg-Upcut)
12	139564	1	Lock Handle	**49	139610	1	Blade Shaft w/Flg-RH (3-7/8" Flg-Upcut)
13	163212	1	Knob	**50	139525	1	Blade Shaft Assy.-RH/LH Cut (3-7/8" Flange)
14	139566	1	Handle		177071	1	Blade Shaft Assy.-RH/LH Cut (4-1/2" Flange)
15	139568	2	Grip, Handle	**51	139016	1	Blade Shaft w/3-7/8" Flange-RH/LH Cut
16	166038	1	Knob, 3/8"-16 (Handle Lock)		167961	1	Blade Shaft w/4-1/2" Flange-RH/LH Cut
17	139569	2	Wheel, 8" Dia.	**52	041047	2	Flange, Inner, 3-7/8" Dia.
18	139570	2	Bolt, Mounting		167185	2	Flange, Inner, 4-1/2" Dia.
19	020177	1	Nut, Hex, Jam 1/2"-13	**53	041046	1	Pin, Drive, 3/8" x 1-3/16" (For 3-7/8" Flange)
20	139571	2	Wheel, 4" Dia.		167964	1	Pin, Drive, 3/8" x 1-1/8" (For 4-1/2" Flange)
21	060735	2	Set Collar, 1/2" Inside Dia.	**54	041044	1	Outer Flange w/Drive Pin (3-7/8" Flange)
22	139572	1	Front Axle		167962	1	Outer Flange w/Drive Pin (4-1/2" Flange)
23	139579	1	Pivot Axle	55	167846	2	Nut, 5/8"-11, LH Thread
24	049923	1	Set Collar, 5/8" Inside Dia.	56	167847	2	Nut, 5/8"-11, RH Thread
25	139638	1	Anchor, Spring	57	139300	1	Pulley, 3G3V3.65 x 1" w/SS
26	020323	3	Capscrew, Hex Hd., 3/8"-16 x 1"	57A	020541	2	Setscrew, Socket Hd., 1/4"-20 x 3/8"
27	020199	4	Locknut, Fiber, 3/8"-16	58	162633	2	Bearing (Prior to September 1994)
28	139581	1	Spring		167895	2	Bearing, Eccentric Lock (w/Collar & SS)
29	139582	1	Tension Bolt	58A	-----	---	-----
30	139615	1	Pointer, Front	59	020437	3	Capscrew, Hex Hd., 3/8"-16 x 2-1/2"
31	040550	2	Support		020329	1	Capscrew, Hex Hd., 3/8"-16 x 2-3/4"
32	020786	1	Lockwasher, Split, 3/8"	60	020743	4	Washer, Flat, 3/8"
33	060411	1	Draw Bolt	61	020199	4	Locknut, Fiber, 3/8"-16
34	139653	1	Belt Guard (Includes Items 36-37)	62	020067	1	Key, 1/4" Sq. x 1-1/4"
35	139617	1	Shaft Guard (RH Cut saw only)	63	139556	1	Screw, Depth Control (After February 1993)
36	020313	2	Capscrew, Hex Hd., 5/16"-18 x 3/4"	64	163988	1	Wrench, 1-1/16" Open End
37	020785	2	Lockwasher, Split, 5/16"	*65	197170	1	Wing Bolt, M6 x 1.0 x 16mm
38	167698	2	Shaft Guard Extended (RH/LH Cut only)	*66	177065	1	Fitting Assy., M14 x 3/8" Barb (7.5R, 9BV)
39	020399	2	Capscrew, Hex Hd., 5/16"-18 x 3-1/4"		177017	1	Fitting, 1/2" NPT x 3/8" Barb (8KM)
40	139682	1	Pulley 3G3V2.65 x 1" w/SS (13H)	*	167133	1	Fitting, M12 x 10mm Barb (8H, 13H)
	041109	1	Pulley 2G3V2.65 x 1" w/SS (7.5-9HP Eng)	67	020049	1	Hose Clamp
	060139	1	Pulley 2G3V2.65 x 7/8" w/SS (5E)	*68	167305	1	Hose Assy., Oil Drain
	139651	1	Pulley 2G3V2.65 x 3/4" w/Hub (Air Motor)	*69	167306	1	Blanking Cap
40A	020540	2	Setscrew, Socket Hd., 1/4"-20 x 1/4" (13H)	*70	167622	1	Tube Nut
	020551	2	Setscrew, Socket Hd., 5/16"-18 x 1/4" (7-9HP)	71	167189	1	Tiedown Bracket Kit (Optional)
	020550	2	Setscrew, Socket Hd., 5/16"-18 x 3/8" (5E)	72	167125	2	Eye Nut, Saw Tiedown (3/8"-16 Threads)
	161099	1	Hub, Type 1108, 3/4" Bore (For Air Motor)	73	020323	2	Capscrew, Hex Hd., 3/8"-16 x 1"
41	139612	1	V-Belt, Set of 2, 3VX280 (For 7.5-9HP Engines, 5HP Electric Motor & Air Motor)	74	020786	2	Lockwasher, Split, 3/8"
	-----	---	-----	75	167963	1	Outer Flange Assy. (1/2" Cut) (Optional)
42	139614	1	V-Belt, Set of 3, 3VX280 (13H)	76	-----	1	Outer Flange, 4.50 O.D. x 1/2" Cut
	040037	1	Engine, 7.5R (Downcut only)	77	020304	1	Drive Pin, 3/8" Dia. x 1-1/2"
	161148	1	Engine, 7.5R (Reverse Rotation-Upcut only)				
	139214	1	Engine, 8 KM				
	139586	1	Engine, 8H				
	139784	1	Engine, 9BV		139634	1	ITEMS NOT SHOWN ON FIGURE 1
	167821	1	Engine, 13 H		040563	1	Decal, MINI CON II
	139306	1	Motor & Switch, 5HP/230V/60 Cycle/1 Phase		046127	1	Decal, GREASE BEARINGS DAILY
	000923	1	Motor & Switch, 5HP/230V/60 Cycle/3 Phase				Decal, Caution (Saw Mfg. Institute)

****NOTE:** After Serial # 210623 was manufactured on 4/5/95, the Flanges on the Standard Down Cut Shaft (Item 50) were changed from 3-7/8" OD to 4-1/2". The Upcut Shaft (Item 48) remained 3-7/8". Check the flange size or the serial number when ordering replacement parts.

FIGURE 2

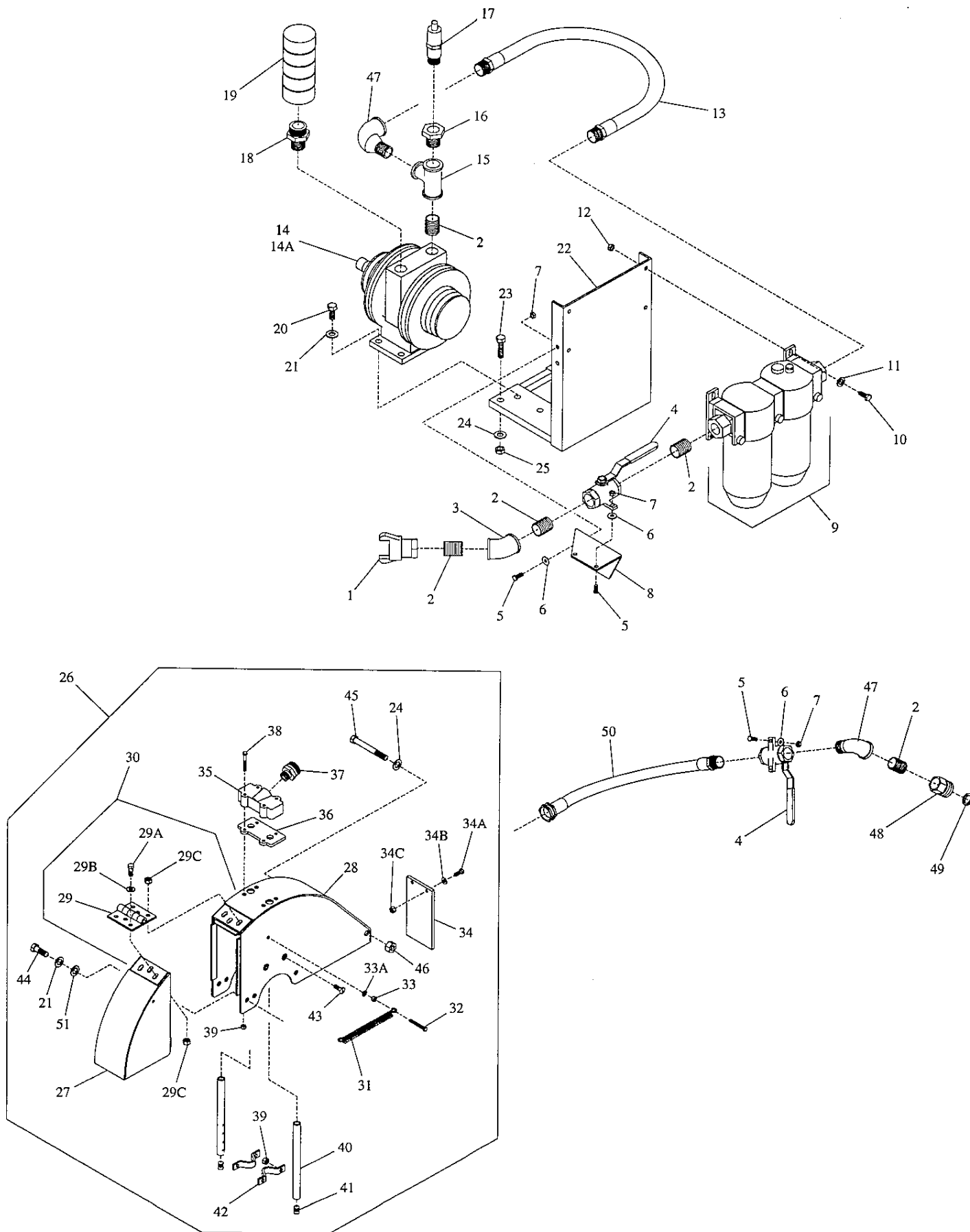


FIGURE 2 - PARTS LIST

DIAG LOC.	PART NO.	QTY. REQ.	DESCRIPTION (* Denotes Metric Item)	DIAG LOC.	PART NO.	QTY. REQ.	DESCRIPTION (* Denotes Metric Item)
1	161117	1	Coupling	29	139075	1	Hinge
2	020293	5	Nipple, Close, 1/2"NPT	*29A	139761	6	Capscrew, Hex Hd., M6 x 1.0 x 20mm
3	020836	1	Elbow, 45° Female, 1/2" NPT	29B	020762	6	Washer, Flat, 1/4" SAE
4	139537	1	Valve, Water, 1/2" NPT	*29C	139745	6	Locknut, Fiber, M6 x 1.0
5	020408	6	Machine Screw, Round Hd., #10-24 x 3/4"	*30	167947	1	Blade Guard & Hinge Assy.-14"
6	020771	6	Washer, Flat, #10 SAE	*	167948	1	Blade Guard & Hinge Assy.-18"
7	020194	6	Locknut, Fiber, #10-24	31	040330	1	Spring
8	139646	1	Mounting Bracket	*32	167761	2	Capscrew, Hex Hd., M5 x 0.8 x 20mm
9	139641	1	Filter Regulator Unit	*33	172011	4	Nut, Standard Hex, M5 x 0.8
10	020416	4	Machine Screw, Round Hd., 1/4"-20 x 3/4"	33A	020782	2	Lockwasher, Split, #10
11	020762	4	Washer, Flat, 1/4" SAE	34	139098	1	Flap, Splash
12	020195	4	Locknut, Fiber, 1/4"-20	*34A	167761	2	Capscrew, Hex Hd., M5 x 0.8 x 20mm
13	139643	1	Hose, Air	*34B	173047	2	Washer, Flat, M5
14	139624	1	Air Motor	*34C	172316	2	Locknut, Fiber, M5 x 0.8
14A	161104	1	Service Kit , Air Motor (Includes: Vanes, Vane Springs, Push Pins, Bearings, Seal, O-Ring, Body Spacer & End Cap Gaskets)	35	139045	1	Manifold
				36	139051	1	Gasket, Manifold
				37	040275	1	Fitting, 3/8" Male NPT x 3/4 Garden Hose
15	020730	1	Tee, 1/2" NPT	*38	167551	4	Capscrew, Hex Hd., M6 x 1.0 x 40mm
16	139649	1	Bushing, Brass, 1/2" NPT x 1/4" NPT	*39	139745	8	Locknut, Fiber, M6 x 1.0
17	139642	1	Valve, Relief	40	139089	2	Water Tube-14" (Use with 3-7/8" Flanges)
18	162657	1	Nipple, Restricted		167045	2	Water Tube-14" (Use with 4-1/2" Flanges)
19	139640	1	Muffler		160555	2	Water Tube-18" (Use with 3-7/8" Flanges)
20	020313	4	Capscrew, Hex Hd., 5/16"-18 x 3/4"		167046	2	Water Tube-18" (Use with 4-1/2" Flanges)
21	020785	5	Lockwasher, Split, 5/16"	41	020864	2	Plug, 1/8" NPT
22	139644	1	Mount, Air Motor	42	049212	2	Clamp, Water Tube
23	048740	4	Capscrew, Hex Hd., 3/8"-16 x 1-1/4"	*43	167818	4	Screw, Flat Hd., M6 x 1.0 x 16mm
24	020743	5	Washer, Flat, 3/8"	44	020313	1	Capscrew, Hex Hd., 5/16"-18 x 3/4"
25	020199	4	Locknut, Fiber, 3/8"-16	45	020233	1	Capscrew, Hex Hd., 3/8"-16 x 3-3/4"
*26	167945	1	Blade Guard Assy.-14" (Complete)	46	020199	1	Locknut, Fiber, 3/8"-16
*	167946	1	Blade Guard Assy.-18" (Complete)	47	020810	2	Elbow, 90 Degree Street, 1/2" NPT
27	139076	1	Front Blade Guard Weldment-14"	48	045642	1	Hose Fitting & Filter Washer
	139228	1	Front Blade Guard Weldment-18"	49	045640	1	Filter Washer
28	167899	1	Rear Blade Guard Weldment-14"	50	139616	1	Hose Assy.
	167926	1	Rear Blade Guard Weldment-18"	51	020742	1	Washer, Flat, 5/16"