



SERVICE/PARTS MANUAL

MODELS: CF30, CF36, CF46
3 & 4 BLADES



POWER TROWEL

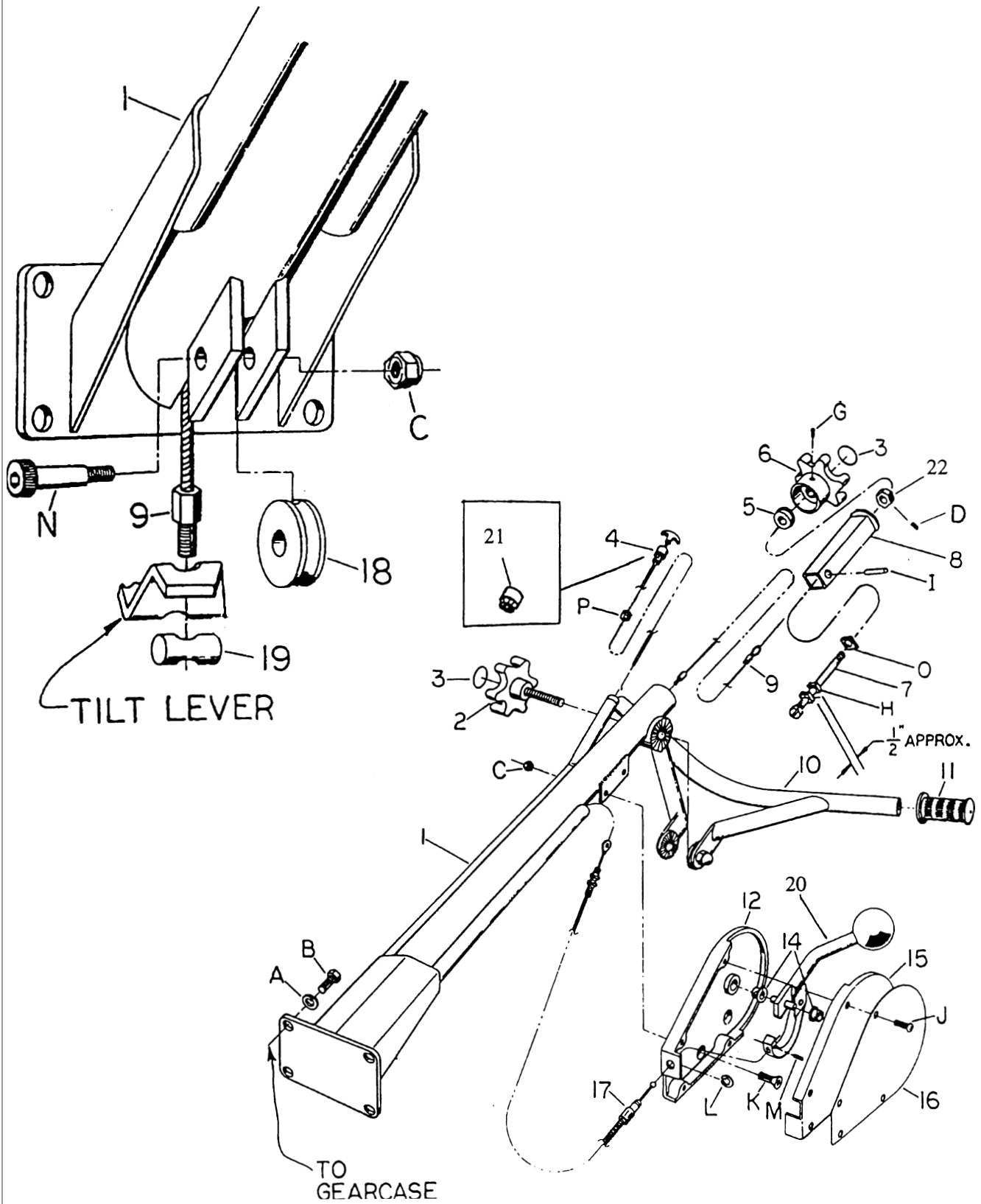
A 100% employee-owned American manufacturer

Exploded Diagrams & Parts List

Handle and Dyna-Clutch Assembly	34-37
Gearcase Assembly	38-39
Spider and Blade Assembly	40-43
Engine Assembly	44-47
Decal Identification	48-49

Part Numbers

Handle and Dyna-Clutch Assembly



Part Numbers

Handle and Dyna-Clutch Assembly

Item	Part No.	Description	Qty.
1	23095	Kit Handle Main	1
2#	21844	Assembly Adjustment Knob	1
3	55059	Decal Knob	2
4	35346	Throttle Assembly	1
5	32118	Bearing	1
6	27360	Tilt Knob	1
7	22239	Rod Tilt	1
8	22244-2	Tilt Block	1
9	34795	Tilt Cable	1
10	21843-2	Handle Adjustment	1
11	47125	Handle GRIP	2
12	27353-2	Dyna-Clutch Housing	1
14	32117	Bearing Nyliner	2
15	27355-2	Dyna-Clutch Cover	1
16	28396	Name Plate Dyna-Clutch	1
17	23365	Kit Cable Clutch	1
18	34785	Pivot Pulley	1
19	28022	Tilt Cable Pivot	1
20	21977	Dyna-Clutch Assembly	1
21	47190	Collet	1
22	42530	Tilt Lock Nut	1
*	22809	Kit Tilt Cable & Nut	1

REMARK:

*Includes items 9, 22 and D.

Part Numbers

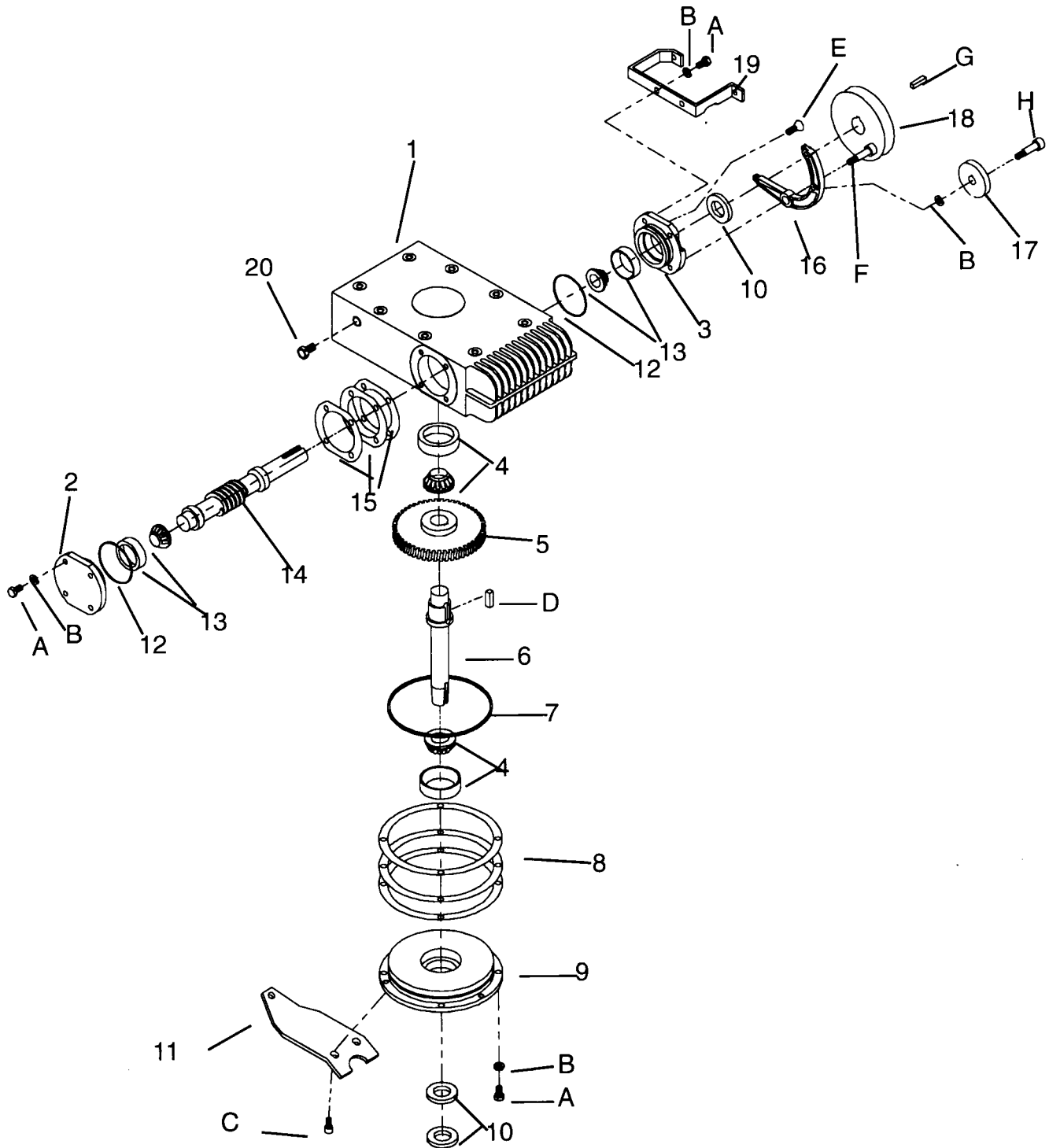
Handle and Dyna-Clutch Assembly

Item	Part No.	Description	Qty.
A	80058	WSHRL 3/8 MED SPLIT ZN	4
B	80102	HHCS 3/8 - 16 X 1 PLN	4
C	80236	NUTKP	3
D	80269	SHSS 10-32 X 5/16	1
G	80261	SHSS 3/8-16 X 3/4 CUP PT	1
H	80729	NUTSQ 1/2-13	2
I	80321	PINSP 3/8 X 1-1/4	1
J	800070	PPHMS 10-24 X 1	4
K	80272	FHSCS 1/4-20 X 5/8	2
L	80069	RING EXT 1/4	1
M	80305	PIN 1/8 X 5/16	1
N	80275	SHSHB 5/16-18 X 1	1
O	47185	WSHR URETH	1
P	35335	LKNUT	1

REMARK:

Part Numbers

Gearcase Assembly



Part Numbers

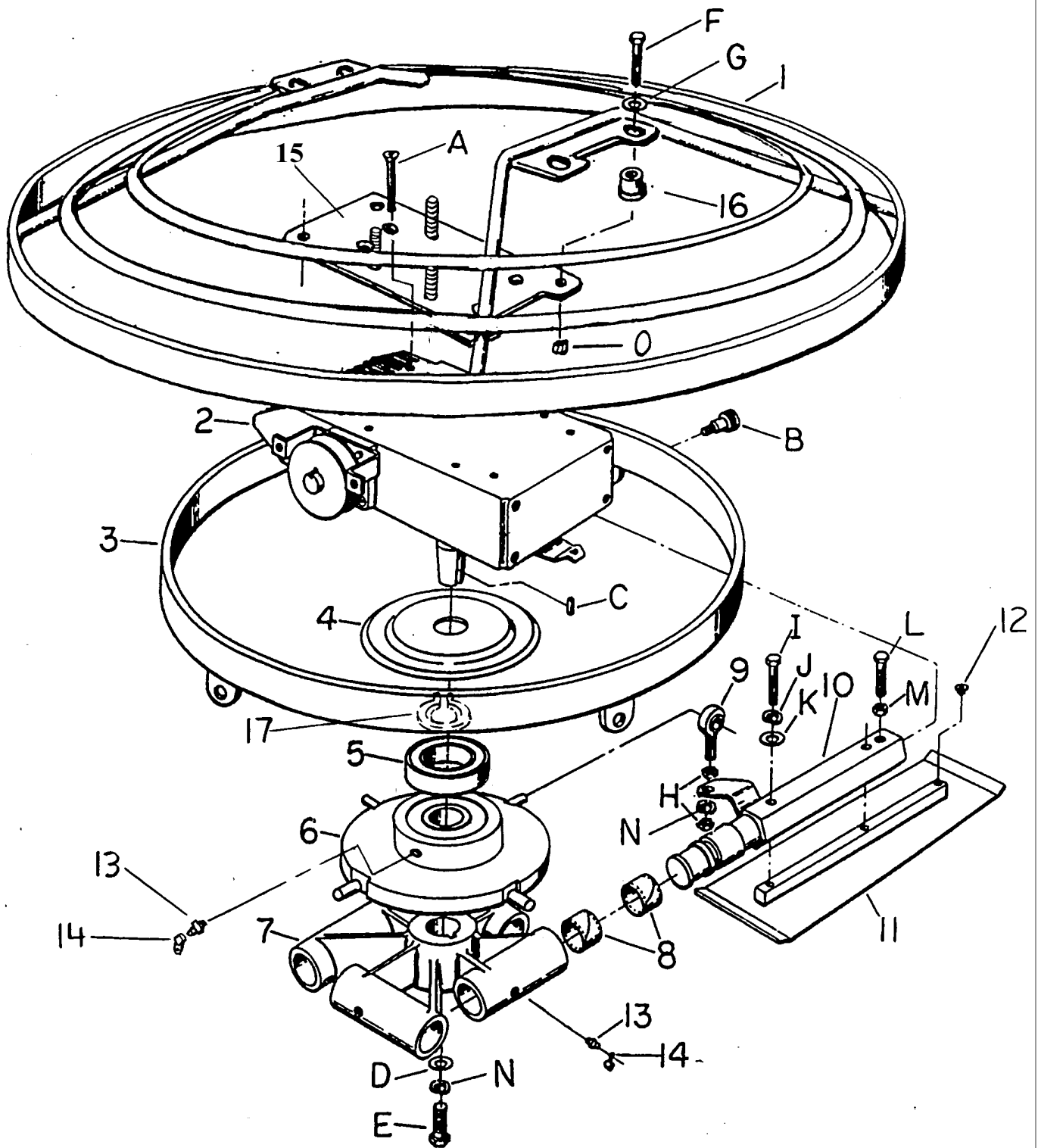
Gearcase Assembly

Item	Part No.	Description	Qty.
*	39562	Assembly Gearcase CF	1
1	39547	Gearcase Machined	1
2	42719	Side Cover	1
3	42718	Bearing Cover	1
4	32270	Bearing Output Shaft	2
5	39009	Worm Gear	1
6	42715	Output Shaft	1
7	32272	O'Ring #01-162	1
8	42799	Shim Set Large Bore	1
9	42720	Cap Bottom Bearing	1
10	39014	Shaft Seal	3
11	27368	Tilt Lever	1
12	32271	O'Ring #01-140	2
13	32233	Bearing	2
14	42712	Input Shaft	1
15	42800	Shim Set Small Bore	1
16	21667	Assembly Clutch Lever	1
17	35203	Vee Idler Pulley	1
18	34835	Sheave	1
19	42787-2	Belt Guard Mounting Bracket	1
20	34096	Oil Sight	1
A*	80161	HHCS 5/16 - 18 X 1 GR2 ZN #	10
B	80086	WSHRL 5/16 MED SPLIT ZN	11
C*	80285	SHSHB 3/8 X 1/2 BLK	2
D	80744	KEY HARD 5/16 SQ X 1	1
E*	80105	FHSCS 5/16 - 18 X 1 BLK #	1
F*	80093	SHSHB 3/8 X 3/4 BLK	1
G	80100	KEY HARD CLASS 1 1/4 SQ X 1	1
H	80124	SHSHB 3/8 X 1 BLK	1

REMARK: *When reassembling Trowel, clean these bolts and their mating holes thoroughly, and apply (1) drop of Loc-tite #242 (or equivalent thread locking compound) to the threads.

Part Numbers

Spider and Blade Assembly



(Torque 40 ft.lbs)

Part Numbers

Spider and Blade Assembly

Item	Part No.	Description	Qty.
1	22898-2	Guard Sty ISO CF30 4 Blade	1
	22899-2	Guard Sty ISO CF36 3/4 Blade	1
	22900-2	Guard Sty ISO CF46 3/4 Blade	1
2^	39562	Gearcase Assy	1
3	22170-2	Ring Retaining CF30 4 Blade	1
	22173-2	Ring Retaining CF36 3 Blade	1
	22171-2	Ring Retaining CF36 4 Blade	1
	22174-2	Ring Retaining CF46 3 Blade	1
	22172-2	Ring Retaining CF46 4 Blade	1
4	39545-2	Cover Thrust Plate	1
5	39558	Bearing Thrust	1
6	39543-2	Plate Tilt Assy 3 Blade	1
	39542-2	Plate Tilt Assy 4 Blade	1
7	28282-2	Spider 3-Arm 3 Blade	1
	28283-2	Spider 4-Arm 4 Blade	1
8	32180	Bearing Arm Nyliner 3 Blade	6
	32180	Bearing Arm Nyliner 4 Blade	8
9	32124	Rod Ends Superior 3 Blade	3
	32124	Rod Ends Superior 4 Blade	4
10	22182-2	Arm Weld CF30 4 Blade	4
	22183-2	Arm Weld CF36 3 Blade	3
	22183-2	Arm Weld CF36 4 Blade	4
	22184-2	Arm Weld CF46 3 Blade	3
	22184-2	Arm Weld CF46 4 Blade	4
11	34576	Blade Set 4 Finished CF30	1
	34577	Blade Set 3 Finished CF36	1
	34578	Blade Set 4 Finished CF36	1
	34879	Blade Set 3 Finished CF46	1
	34580	Blade Set 4 Finished CF46	1
	34581	Blade Set 4 Combination CF30	1
	34582	Blade Set3 Combination CF36	1
	34583	Blade Set 4 Combination CF36	1
	34584	Blade Set3 Combination CF46	1
	34585	Blade Set 4 Combination CF46	1
12	47183	Cap Plug W-1-Red 3 Blade	3
	47183	Cap Plug W-1-Red 4 Blade	4

REMARK:

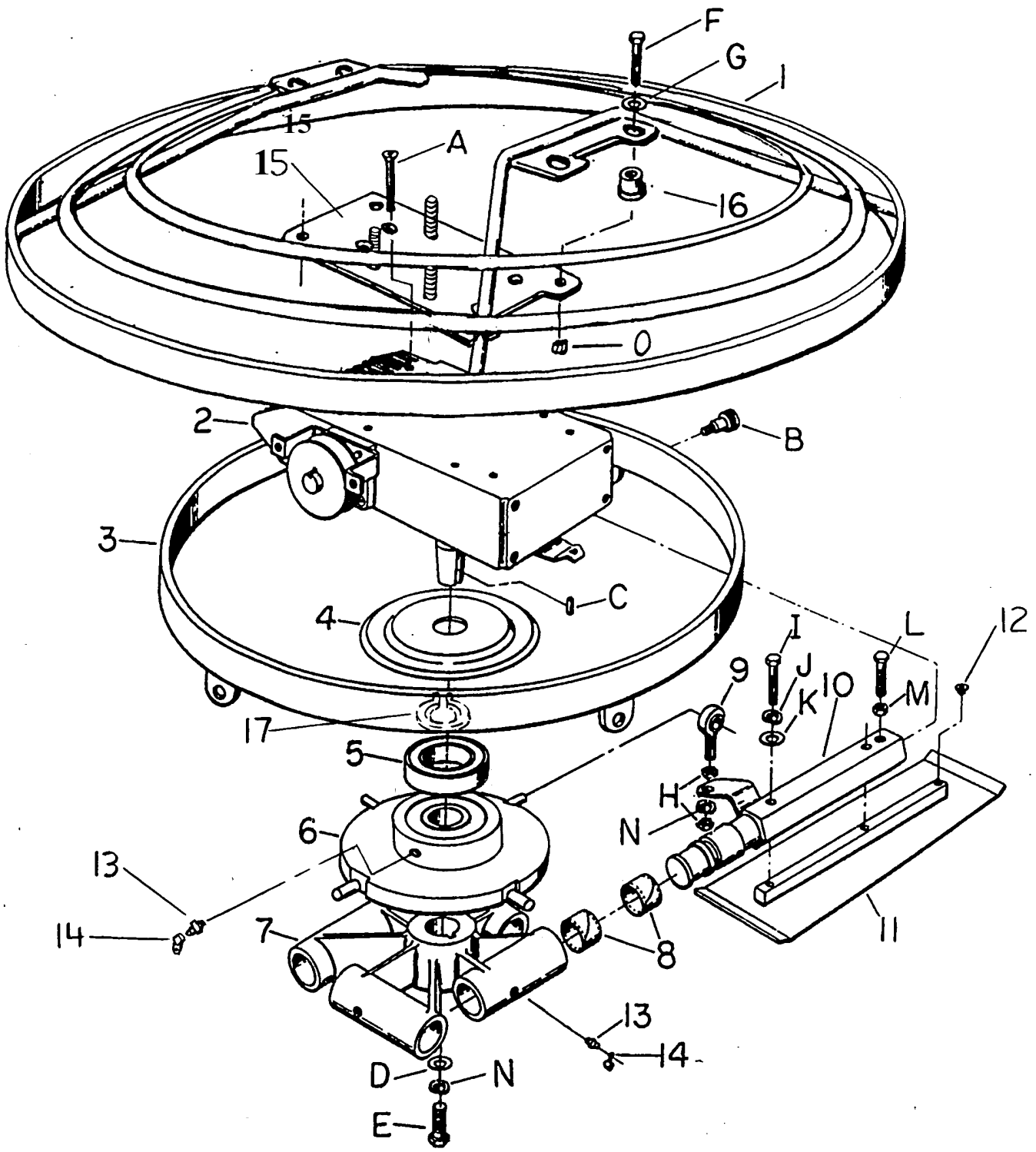
Not Shown

* Includes items 4,5,6,17

^ See Gearcase Assembly section

Part Numbers

Spider and Blade Assembly



(Torque 40 ft.lbs)

Part Numbers

Spider and Blade Assembly

Item	Part No.	Description	Qty.
13	46042	Fitting Grease 3 Blade	4
	46042	Fitting Grease 4 Blade	5
14	47001	Cap Plug GC-5 Blue 3 Blade	3
	47001	Cap Plug GC-5 Blue 4 Blade	4
15	39553-2	Base Engine Assy 3,5 B&S/5.5 Honda/4.6 Robin/5 B&S I/P	1
	39555-2	Base Engine Assy 8 B&S/8 Honda	1
	39554-2	Base Engine Assy 7.5 Robin	1
16	47355	Mount Shock	4
17	39559	Ring Extension	1
18#*	23194	Kit Tilt Plate 4 Blade	1
19#*	23195	Kit Tilt Plate 3 Blade	1
A^	80068	FHSCS 3/8 - 16 X 1 BLK	8
B*	80066	SHSHB 1/2 X 1/2 BLK 3 Blade	3
	80066	SHSHB 1/2 X 1/2 BLK 4 Blade	4
C	80394	KEY SQUARE 1/4 X 1-1/4	1
D	28435	WSHR	1
E	80174	HHCS 3/8 - 16 X 1 GR8 ZN	1
F	80176	HHCS 3/8 - 16 X 1-1/2 GR2 ZN	4
G	80043	WSHR 3/8 WROT ZN	4
H	80243	NTFXJ 3/8 - 24 ZN 3 Blade	6
	80243	NTFXJ 3/8 - 24 ZN 4 Blade	8
I	80167	HHCS 5/16 - 18 X 1-3/4 GR2 ZN 3 Blade	6
	80167	HHCS 5/16 - 18 X 1-3/4 GR2 ZN 4 Blade	8
J	80086	WSHRL 5/16 MED SPLIT ZN 3 Blade	6
	80086	WSHRL 5/16 MED SPLIT ZN4 Blade	8
K	80348	WSHR 5/16 WROT ZN 3 Blade	6
	80348	WSHR 5/16 WROT ZN 4 Blade	8
L	80166	HHTB 5/16 - 18 X 1-3/4 CR2 ZN 3 Blade	3
	80166	HHTB 5/16 - 18 X 1-3/4 CR2 ZN 4 Blade	4
M	80245	NUTFX 5/16 - 18 ZN 3 Blade	3
	80245	NUTFX 5/16 - 18 ZN 4 Blade	4
N	80058	WSHRL 3/8 MED SPLIT ZN	2
O	80056	NUTNY 3/8 - 16 ZN	4

REMARK:

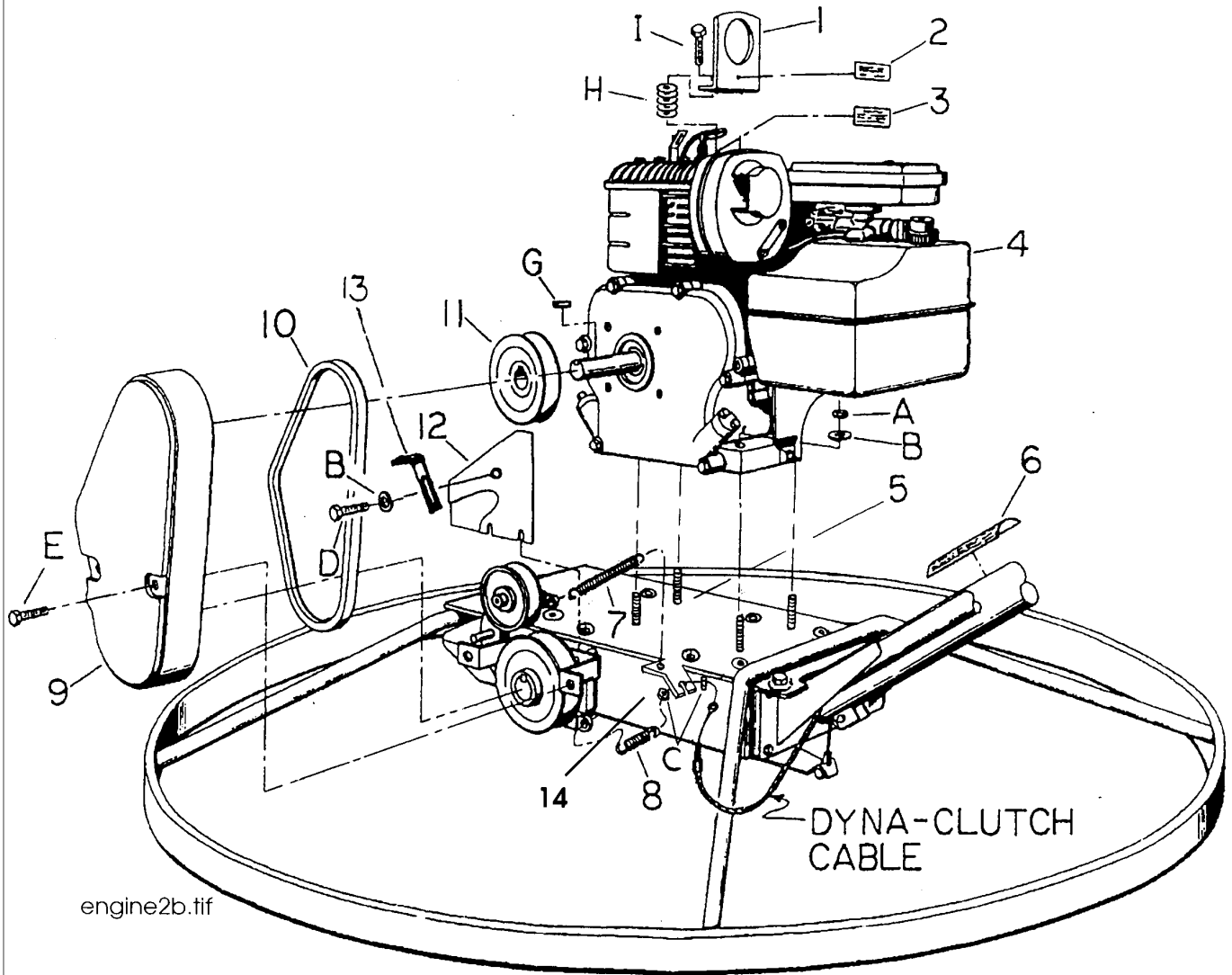
Not Shown

* Includes items 4,5,6,17

^ When reassembling, clean bolts and holes, apply one drop loctite #242 or #262 (or equivalent thread locking compound to threads)

Part Numbers

Engine Assembly



Part Numbers

Engine Assembly

Item	Part No.	Description	Qty.
1	24543-2	Lifteye 3,5,8 B&S,5 B&S I/P	1
	42451-2	Lifteye 4.6 Robin	1
	28318-2	Lifteye 5.5 Honda	1
	28683-2	Lifteye 8 Honda	1
	27533-2	Lifteye 7.5 Robin	1
2	55021	Decal Caution	1
3	55043	Decal Idle Engine	1
4	30071	Engine 3 B&S	1
	30072	Engine 5 B&S	1
	30318	Engine 5 B&S I/P	1
	30320	Engine 8 B&S I/P	1
	30159	Engine 5.5 Honda	1
	30160	Engine 8 Honda	1
	30265	Engine 4.6 Robin	1
	30248	Engine 7.5 Robin	1
5^	39553-2	Base Engine Assy 3,5 B&S/5.5 Honda/4.6 Robin/5B&S I/P	1
	39555-2	Base Engine Assy 8 B&S/8 Honda	1
	39554-2	Base Engine Assy 7.5 Robin	1
6	55049	Decal Oper & Safety	1
7	34797	Idler Return Spring	1
8	34796	Clutch Spring	1
9	47229-2	Guard Belt	1
10	35331	Belt L427	1
	35333	Belt L429	1
11	34833	Sheave AK34x3/4 3,5 B&S/5.5 Honda/4.6 Robin/5B&S I/P	1
	34834	Sheave AK34x1 7.5 Robin/8 Honda	1
12	28301-2	Belt Guard Rear	1
13	28431-2	Belt Guide Bracket	1
14#	39562	Gearcase CF Assembly	1

*For best trowel performance and longest belt life, use only raw-edged Kevlar belts.

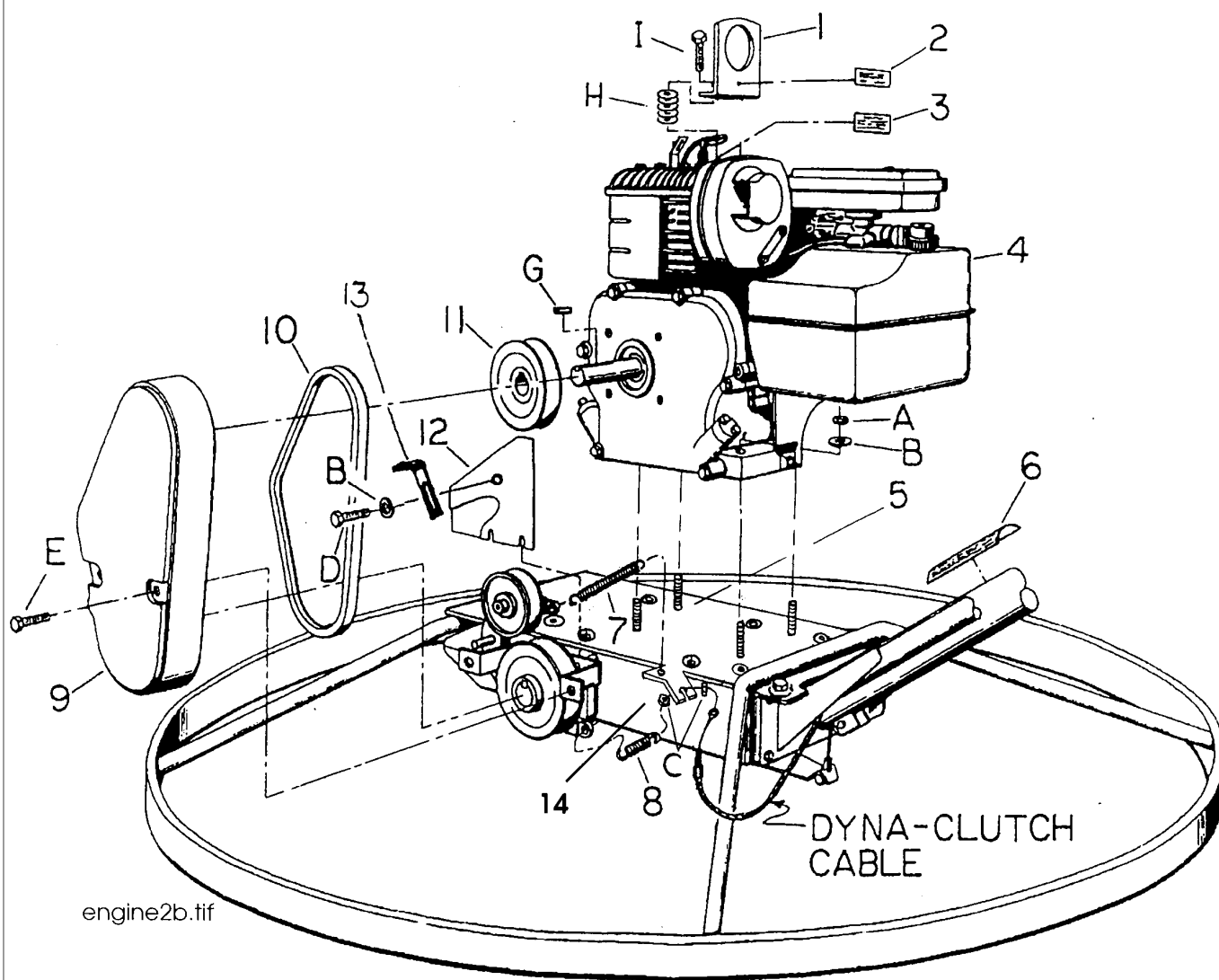
REMARK: **Inside belt guard mounts under belt guard bracket. To install inside guard, loosen (2) 5/16 bolts securing belt guard bracket to the gear case. Slide inside guard behind the bracket and retighten the (2) 5/16 bolts.

See Gearcase Assembly section

^ See Spider Blade Assembly

Part Numbers

Engine Assembly



engine2b.tif