

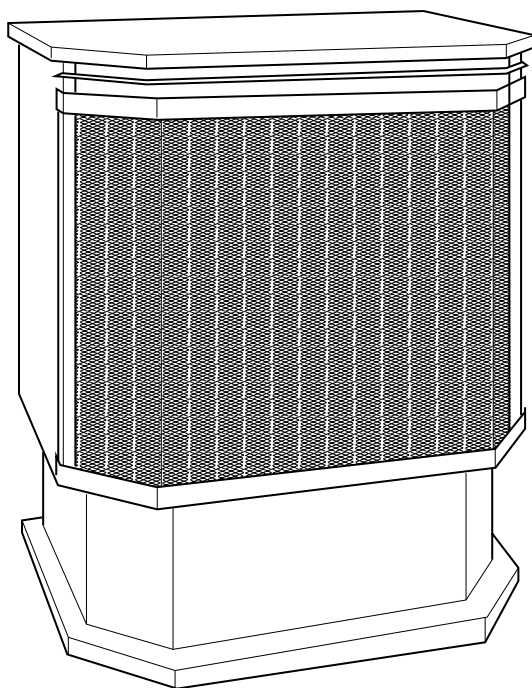
# VANGUARD®

## Unvented (Vent-Free) LogMate Stove

This stove may be installed in an aftermarket\* manufactured (mobile) home, where not prohibited by state or local codes.

\* Aftermarket: Completion of sale, not for purpose of resale, from the manufacturer (i.e. Installation of this product is permitted after the manufactured (mobile) home is sited).

### OWNER'S OPERATION AND INSTALLATION MANUAL



### SVFBC Circulating Stove

**WARNING:** If the information in this manual is not followed exactly, a fire or explosion may result causing property damage, personal injury, or loss of life.

- Do not store or use gasoline or other flammable vapors and liquids in the vicinity of this or any other appliance.
- **WHAT TO DO IF YOU SMELL GAS**
  - Do not try to light any appliance.
  - Do not touch any electrical switch; do not use any phone in your building.
  - Immediately call your gas supplier from a neighbor's phone. Follow the gas supplier's instructions.
  - If you cannot reach your gas supplier, call the fire department.
- Installation and service must be performed by a qualified installer, service agency, or the gas supplier.

**WARNING:** Improper installation, adjustment, alteration, service, or maintenance can cause injury or property damage. Refer to this manual for correct installation and operational procedures. For assistance or additional information consult a qualified installer, service agency, or the gas supplier.

**WARNING:** The SVFBC stove is to be used only with certain vent-free gas log heaters (see Table 1). Do not burn wood or other materials in this stove.

This is an unvented gas-fired heater. It uses air (oxygen) from the room in which it is installed. Provisions for adequate combustion and ventilation air must be provided. Refer to section *Air for Combustion and Ventilation*, page 6.

Save this manual for future reference.

# ILLUSTRATED PARTS BREAKDOWN

This list contains replaceable parts used in your stove. When ordering parts, follow the instructions listed under *Replacement Parts* on page 12 of this manual.

## Model SVFBC

KEY NO.	PART NUMBER	DESCRIPTION	QTY.
1	103657-01	Door (includes 5 screws) and Handle	1
2	103693-01	Button Plug	1
3	103659-01	Brass Trim Kit (upper and lower) (includes 6 screws)	2
4	103660-01	Door Latch Kit (includes 2 screws)	1
<b>PARTS AVAILABLE — NOT SHOWN</b>			
	103662-01	Touch Up Paint	1

