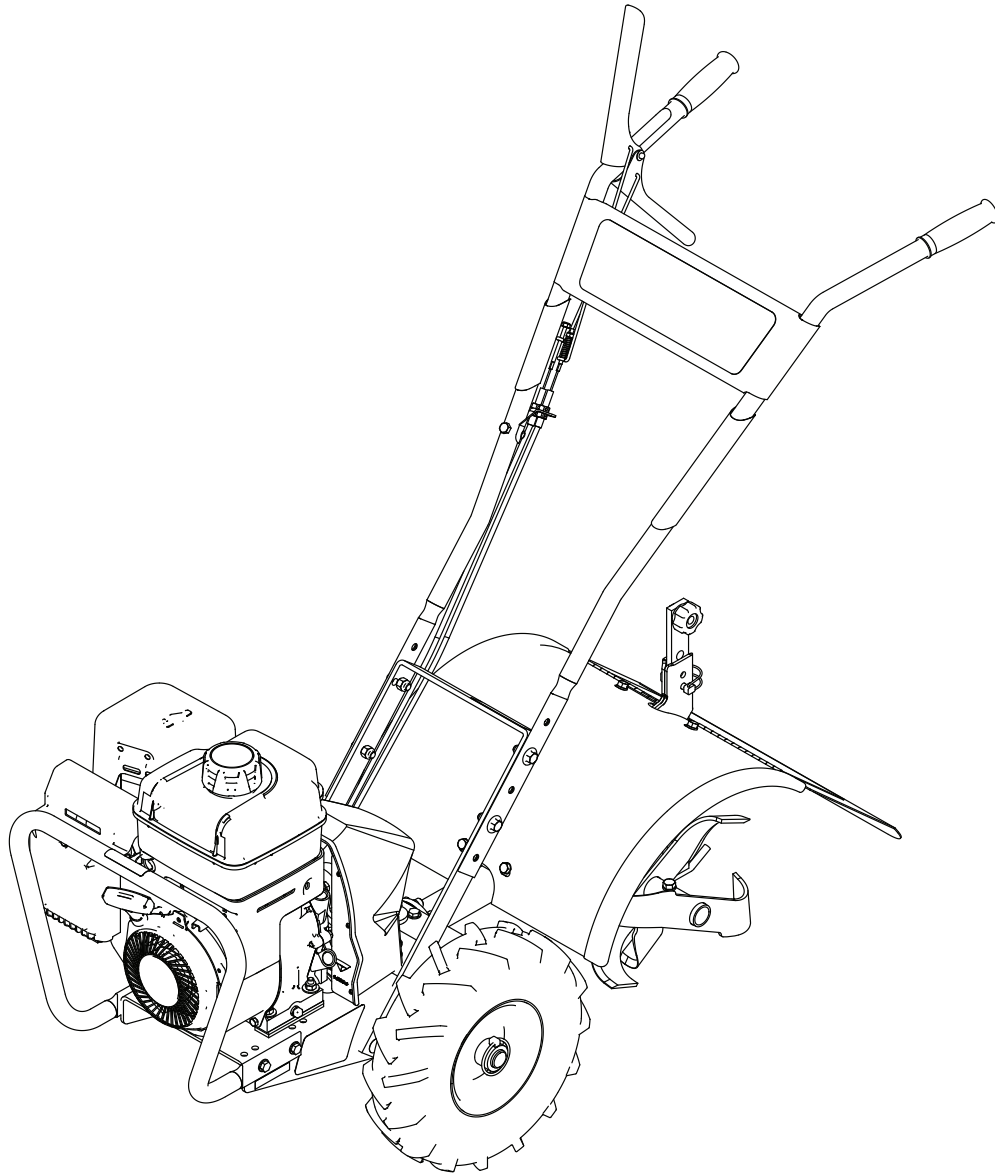

Earthquake[®]
POWERED CHORE EQUIPMENT

Operator's Manual
CRT Rototiller

SN

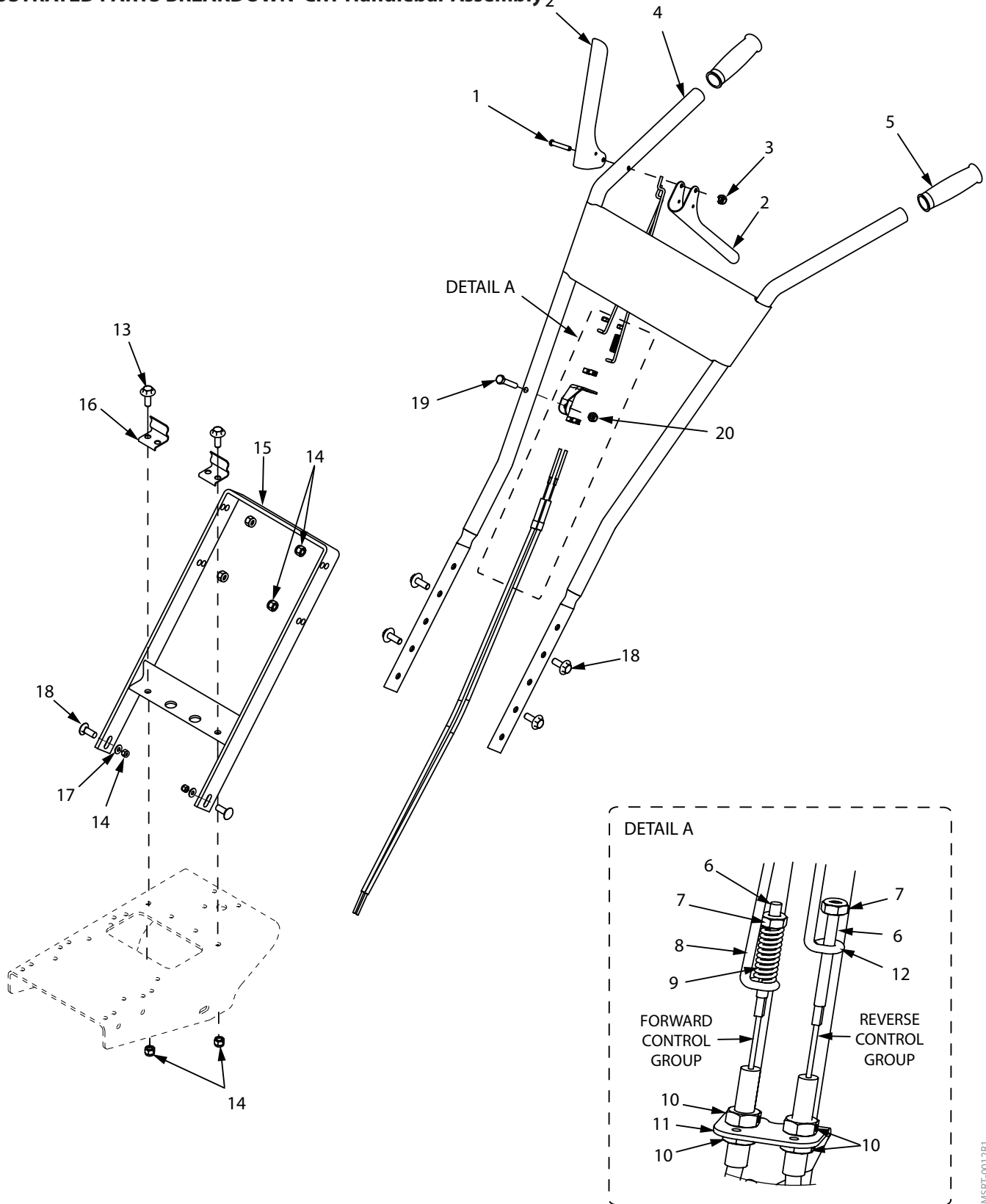


PRODUCT #: 5055C
BRIGGS & STRATTON
4-CYCLE 206CC
8.50 FT-LBS GROSS TORQUE



PN: OMCRT
ECN: 10213
REV3: 11/30/2014
© 2014 Ardisam, Inc.
All Rights Reserved

ILLUSTRATED PARTS BREAKDOWN CRT Handlebar Assembly²



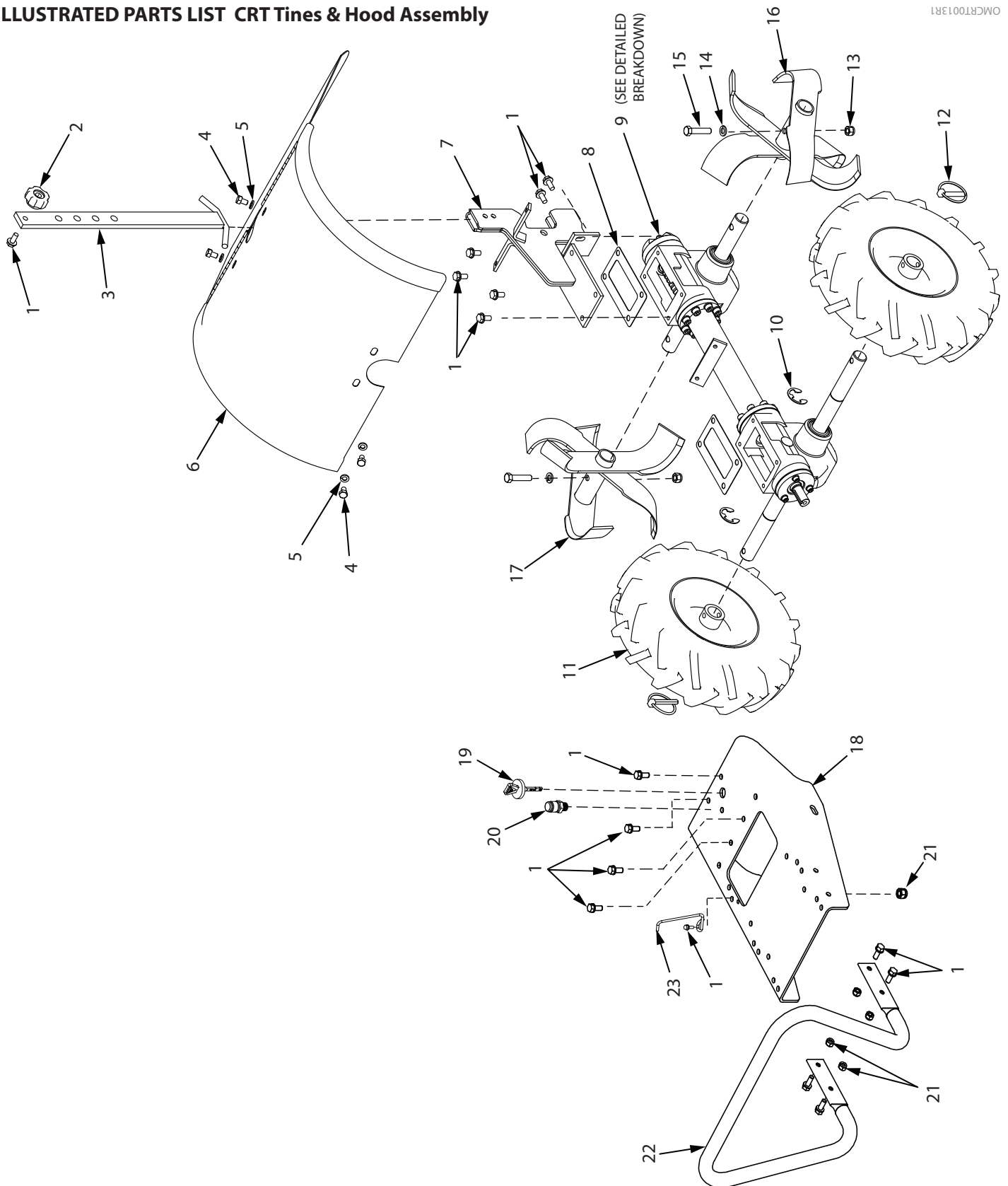
OMSRT-0012R1

ILLUSTRATED PARTS BREAKDOWN CRT Handlebar Assembly

| ITEM # | PART # | DESCRIPTION | QTY. |
|--------|--------|----------------------------------|------|
| 1 | 53614 | PIN CLEVIS 1/4 X 1-1/2" | 1 |
| 2 | 53650 | LEVER CONTROL REAR TINE | 2 |
| 3 | 53632 | NUT, PUSH 1/4 IN | 1 |
| 4 | 53679 | HANDLEBAR WELDMENT | 1 |
| 5 | 53631 | GRIP HANDLEBAR 1" ID FLANGELESS | 2 |
| 6 | 53630 | CABLE - REAR TINE 39" SHEATH | 2 |
| 7 | 53606 | NUT-NYLOC, 10-24 HNYLK GR8 ZN | 2 |
| 8 | 53612 | LINK 295 MM LONG | 1 |
| 9 | 53620 | SPRING COMPRESSION FORWARD ARM | 1 |
| 10 | 53607 | NUT-JAM, 5/16-24 | 4 |
| 11 | 53629 | CABLE MOUNT BRACKET | 1 |
| 12 | 53613 | LINK 9-1/2" LONG | 1 |
| 13 | 90139 | BOLT 3/8-16 X 1" SFHH ZN | 6 |
| 14 | 1662 | NUT 3/8-16 NYLK GR5 ZN | 8 |
| 15 | 53624 | HANDLEBAR MOUNT WELDMENT | 1 |
| 16 | 53618 | BELT GUARD CLIP | 2 |
| 17 | WF516 | WASHER, 5/16 X 7/8 X 5/64 USS ZN | 2 |
| 18 | 48762 | BOLT, 3/8 -16 X 1 CRG | 2 |
| 19 | 503 | BOLT, 5/16-18 X 1 GR5 | 1 |
| 20 | 60G5NY | NUT 5/16-18 NYLOC ZN | 1 |

ILLUSTRATED PARTS LIST CRT Tines & Hood Assembly

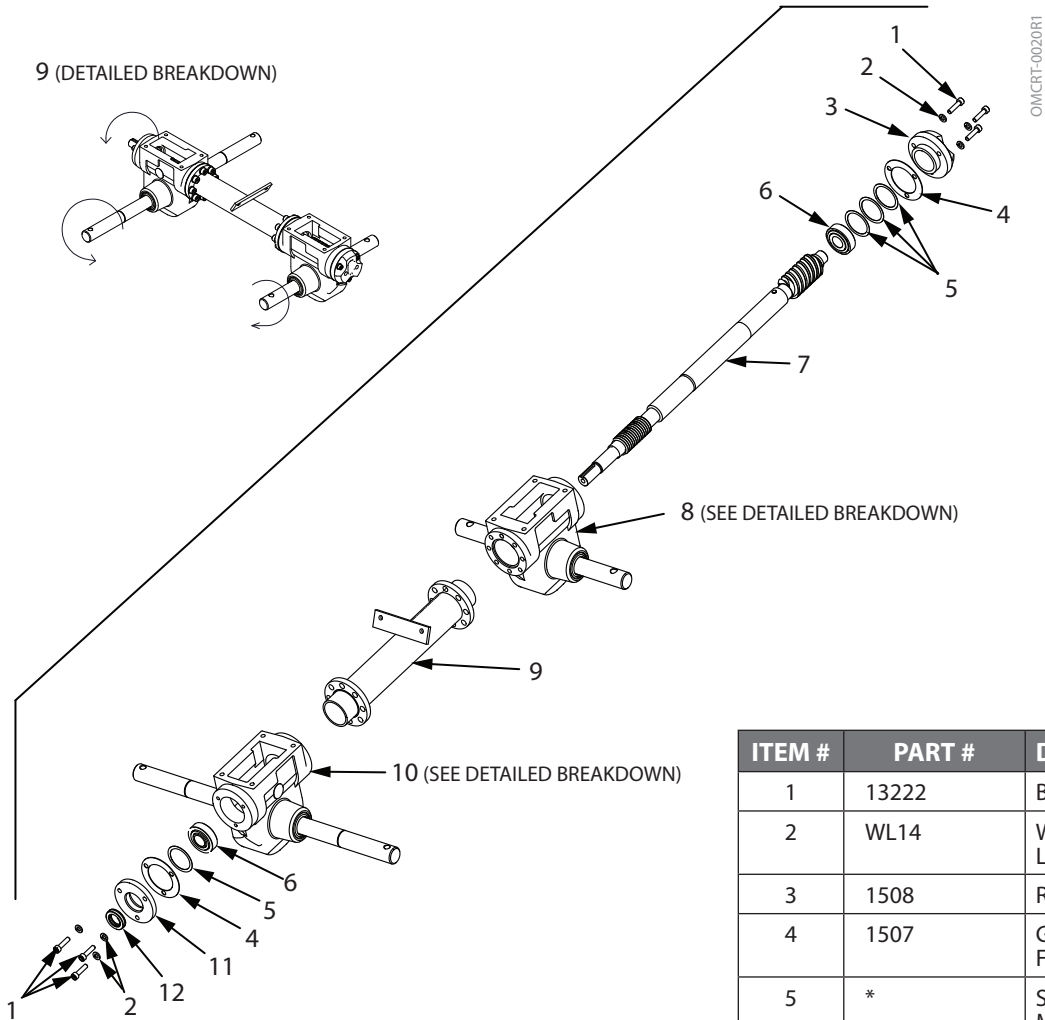
OMCRT0013R1



ILLUSTRATED PARTS LIST CRT Tines & Hood Assembly

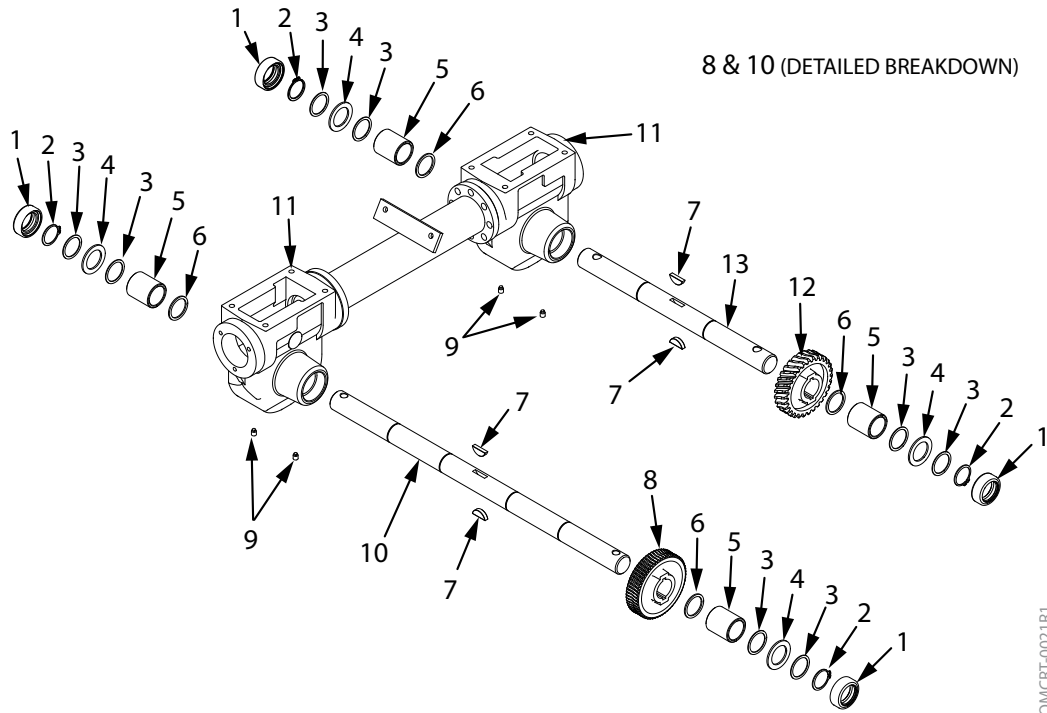
| ITEM # | PART # | DESCRIPTION | QTY |
|--------|----------|---|-----|
| 1 | 1501 | BOLT 5/16-18 X 3/4" SFHH GR5 ZN | 16 |
| 2 | 48406 | BLACK KNOB 5/16-18 | 1 |
| 3 | 53655 | DRAG STAKE | 1 |
| 4 | 417 | BOLT 5/16-18 X 1/2" HH GR5 | 4 |
| 5 | 504 | LOCK WASHER SPRING 5/16" | 4 |
| 6 | 415A | HOOD W/BEAVER TAIL LARGE RT ARD RED | 1 |
| 7 | 53660 | WELDMENT TAIL MOUNT REAR TINE | 1 |
| 8 | 1504 | GASKET TILLER TRANSMISSION COVER | 2 |
| 9 | 1500CRT5 | TRANSMISSION ASSY LOCKPIN CRT C TO C 54 (SEE NEXT FIGURE FOR DETAILED BREAKDOWN) | 1 |
| 10 | 1710 | SNAP RING EXTERNAL RET. | 2 |
| 11 | 1101A | ASSEMBLY WHEEL AND TIRE LOCKPIN | 2 |
| 12 | 1103 | LOCK PIN 5/16X1-3/4 LYNCH PIN 1010 MA | 2 |
| 13 | 1662 | NUT 3/8-16 NYLK G R5 ZN | 2 |
| 14 | 719 | WASHER 3/8 IN SPRING LOCK ZINC | 2 |
| 15 | 2001 | BOLT 3/8-16 X 1-3/4 HH GR5 ZN | 2 |
| 16 | 1900LCRT | TINE SET ASSEMBLY LS-CRT RS-CRT | 1 |
| 17 | 1900RCRT | TINE SET ASSEMBLY RS CRT LS CRT | 1 |
| 18 | 53623 | MOUNT MOTOR LARGE REAR TINE | 1 |
| 19 | 53413 | DIPSTICK REAR TINE TRANSMISSION | 1 |
| 20 | 16864 | VENT BREATHER 1/8-27 NPS SPRING LOADED | 1 |
| 21 | 60G5NY | NUT 5/16-18 NYLOC ZN | 5 |
| 22 | 53648 | GUARD BUMPER REAR TINE | 1 |
| 23 | 53634 | GUIDE, BELT WIRE FORM REAR TINE | 1 |

ILLUSTRATED PARTS BREAKDOWN CRT Transmission Detailed Breakdown



| ITEM # | PART # | DESCRIPTION | QTY |
|--|-------------|---|-----|
| 1 | 13222 | BOLT M6 X 1.0 X 25 SHCS | 6 |
| 2 | WL14 | WASHER 1/4 INCH SPRING LOCK ZINC | 6 |
| 3 | 1508 | REAR BEARING CAP | 1 |
| 4 | 1507 | GASKET BEARING CAP FRONT REAR MODEL S- | 2 |
| 5 | * | SHIM 36.2 X 44.65 X 0.20 MM | 4 |
| 6 | 1601 | BEARING TAPERED INCLUDES CONE AND RACE | 2 |
| 7 | 1500CRT506 | SHAFT DRIVE CRT LONG PINNED 504.06 MM | 1 |
| 8 | 1500CRT615T | TRANSMISSION CASE CRT TINE ASSEMBLY (SEE DETAILED BREAKDOWN) | 1 |
| 9 | * | WELDMENT PIPE LONG REAR TINE TRANNY | 1 |
| 10 | 1500ST755W | TRANSMISSION CASE SRT WHEEL ASSEMBLY (SEE DETAILED BREAKDOWN) | 1 |
| 11 | 1514 | FRONT END CAP | 1 |
| 12 | 1515 | SEAL, 0.75" SHAFT 1.25" BORE | 1 |
| * ORDER TRANSMISSION ASSEMBLY 1500CRT5 | | | |

ILLUSTRATED PARTS BREAKDOWN CRT Transmission Detailed Breakdown

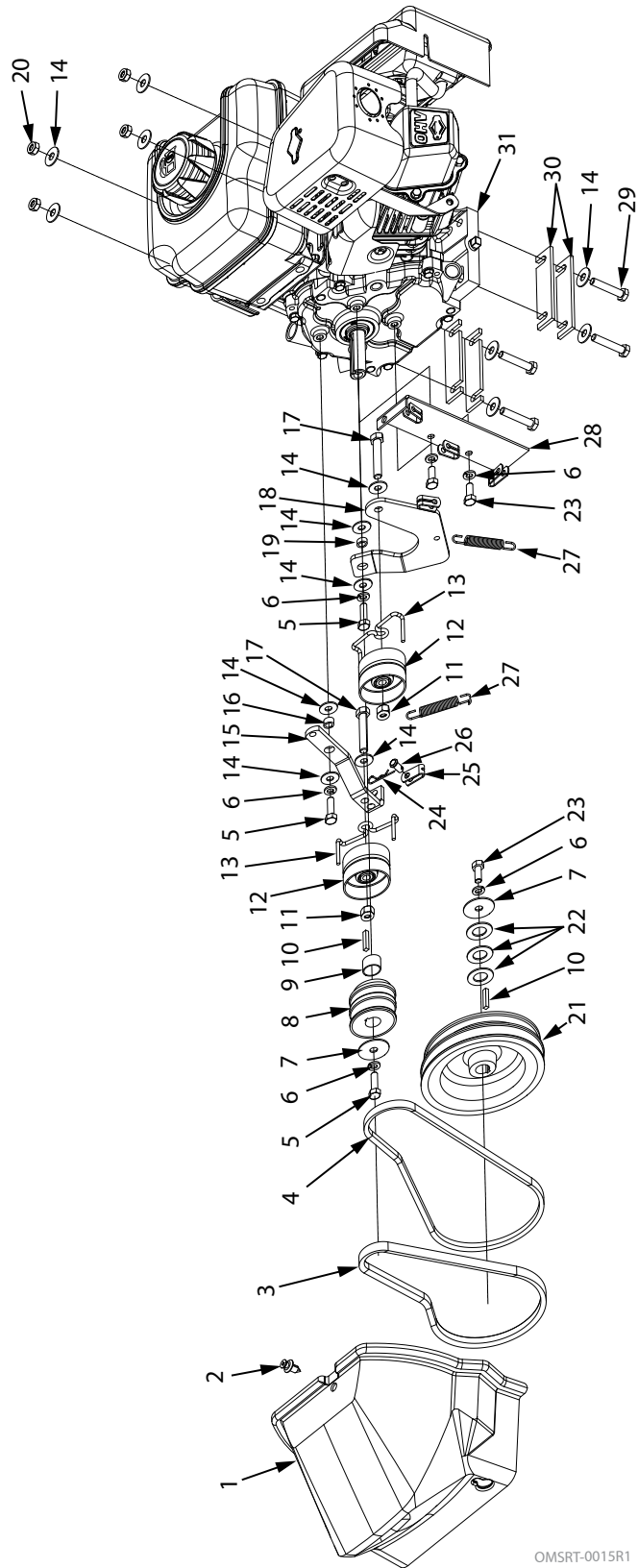


OMCART-0021RT

| ITEM # | PART # | DESCRIPTION | QTY |
|--------|------------|--|-----|
| 1 | 1506 | SEAL 1 INCH SHAFT 1.50 INCH BORE | 4 |
| 2 | 1810 | SNAP RING 1 INCH PHOSPHATE EXTERNAL | 4 |
| 3 | * | SHIM 25.6 X 31.5 X 0.8 MM | 8 |
| 4 | * | SHIM 25.6 X 38.1 X 2.0 MM | 4 |
| 5 | * | BUSHING 25.4 X 32.047 X 36.678 MM | 4 |
| 6 | * | SHIM 25.6 X 31.5 X 1.5 MM | 4 |
| 7 | 1500P113 | KEY WOODRUFF 5X9X22 | 4 |
| 8 | 1500P117 | GEAR BRONZE 1 IN ID 61T 14.5 PA TWO KEYS | 1 |
| 9 | * | SET SCREW M6 X 1.0 X 8.5 SDP GR8.8 BLK OX | 4 |
| 10 | * | SHAFT PIN STYLE LONG WHEEL DOUBLE KEY | 1 |
| 11 | * | CASTING REAR TINE TRANNY HOUSING EIGHT HOLE FLANGE | 2 |
| 12 | 1500CRT512 | GEAR BRONZE 1 IN ID 30T 14.5 PA TWO KEYS | 1 |
| 13 | * | SHAFT PIN STYLE TINES DOUBLE KEY | 1 |

* ORDER TRANSMISSION ASSEMBLY 1500CRT5

ILLUSTRATED PARTS LIST CRT Engine Belts and Pulleys Assembly



OMSRT-0015R1

ILLUSTRATED PARTS LIST CRT Engine Belts and Pulleys Assembly

| ITEM # | PART # | DESCRIPTION | QTY |
|--------|--------|---|-----|
| 1 | 15306 | BELT COVER ASSY 5055 | 1 |
| 2 | 53638 | RIVET PLASTIC PUSH IN REAR TINE | 1 |
| 3 | 727A | BELT FORWARD RT | 1 |
| 4 | 730 | BELT V REVERSE RT | 1 |
| 5 | 810 | BOLT 5/16-24 X 1 HH GR5 ZN | 3 |
| 6 | 504 | LOCKWASHER SPRING 5/16 IN | 6 |
| 7 | 803 | WASHER 5/16ID X 1-1/2OD IN FLAT 16 GA | 2 |
| 8 | 731 | PULLEY TWO GROOVE ENGINE 3/4 IN ID | 1 |
| 9 | 742 | SPACER, DRIVE PULLEY 0.055 | 1 |
| 10 | 804 | KEY SQUARE 3/16 X 1 | 2 |
| 11 | 1662 | NUT 3/8-16 NYLK GR5 ZN | 2 |
| 12 | 1408 | PULLEY IDLER FORWARD | 2 |
| 13 | 739 | BELT GUIDE REVERSE | 2 |
| 14 | WF516 | WASHER 5/16 X 7/8 X 5/64 USS ZN | 14 |
| 15 | 53617 | ARM FORWARD REAR TINE | 1 |
| 16 | 53637 | BUSHING 8.3 MM X 12.4 MM 6.7 MM THK | 1 |
| 17 | 48144 | BOLT 3/8-16 X 2 HHCS GR5 | 2 |
| 18 | 53682 | WELDMENT REVERSE ARM REAR TINE | 1 |
| 19 | 743 | REVERSE ARM BUSHING | 1 |
| 20 | 60G5NY | NUT 5/16-18 NYLOC ZN | 4 |
| 21 | 7401 | PULLEY 2 GROOVE TRANSMISSION 2009 | 1 |
| 22 | 805 | WASHER FLAT 11/16 ID X 1-1/4 OD | 3 |
| 23 | 802 | BOLT 5/16-24 X 3/4 HH GR5 ZN | 3 |
| 24 | 1418 | PIN COTTER 5/64 X 1/2 EXTENDED PRONG ZN | 1 |
| 25 | 53596B | YOKE ZINC PLATED CLEVIS | 1 |
| 26 | 1416 | PIN CLEVIS 1/4 X 5/8 IN | 1 |
| 27 | 1407 | SPRING FORWARD ARM | 2 |
| 28 | 53622 | WELDMENT CABLE PULL PLATE RT DEC 2005 | 1 |
| 29 | 1423 | BOLT 5/16-18 X 2 HHCS GR5 ZN | 4 |
| 30 | 53642 | SHIM ENGINE CRT TILLER | 4 |
| 31 | 60501 | ENGINE 6 HP BRIGGS INTEK HORZ SHAFT | 1 |