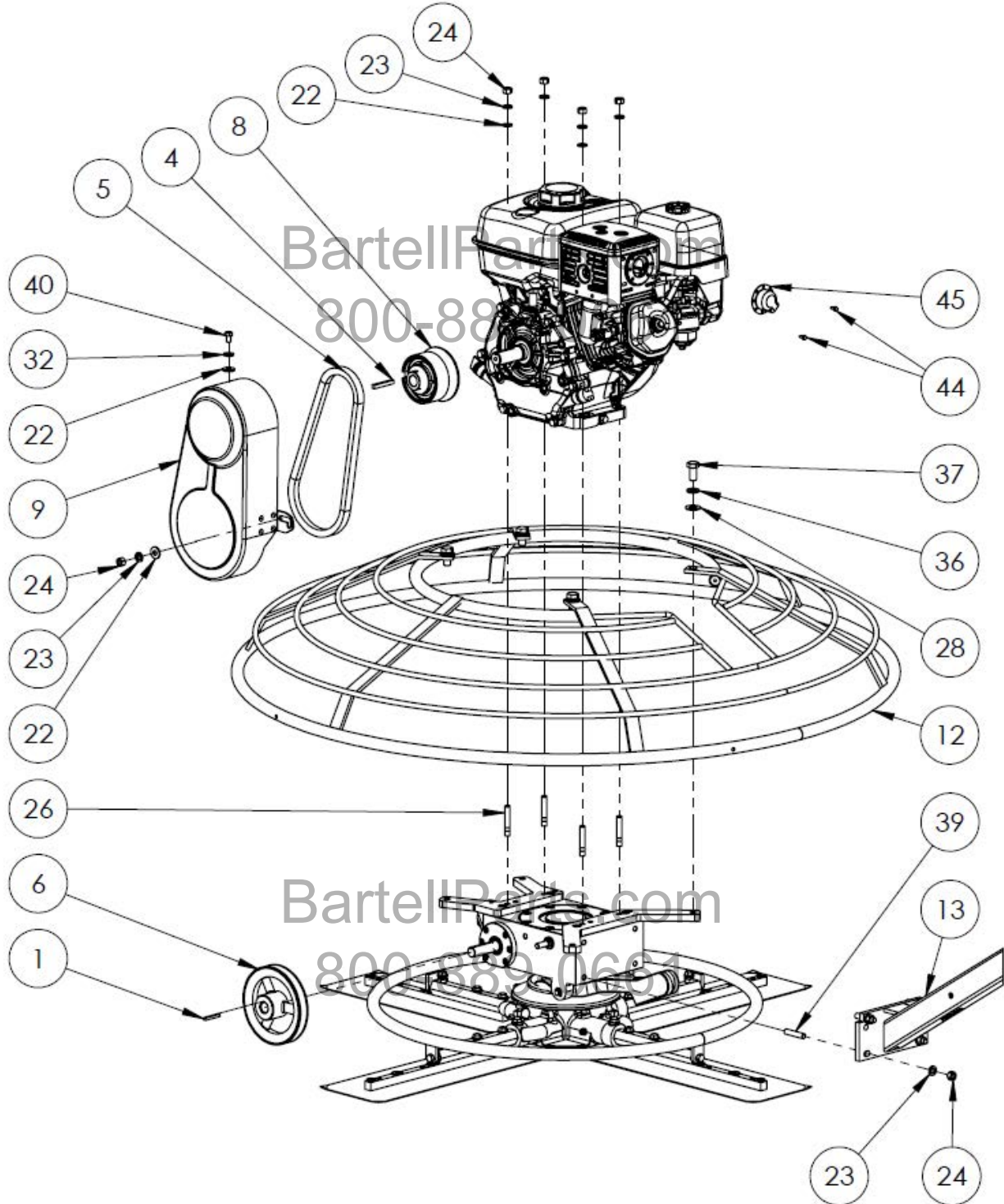


PARTS LIST 1 – WALK-BEHIND TROWELS

GENERAL ASSEMBLY DIAGRAM: BC446



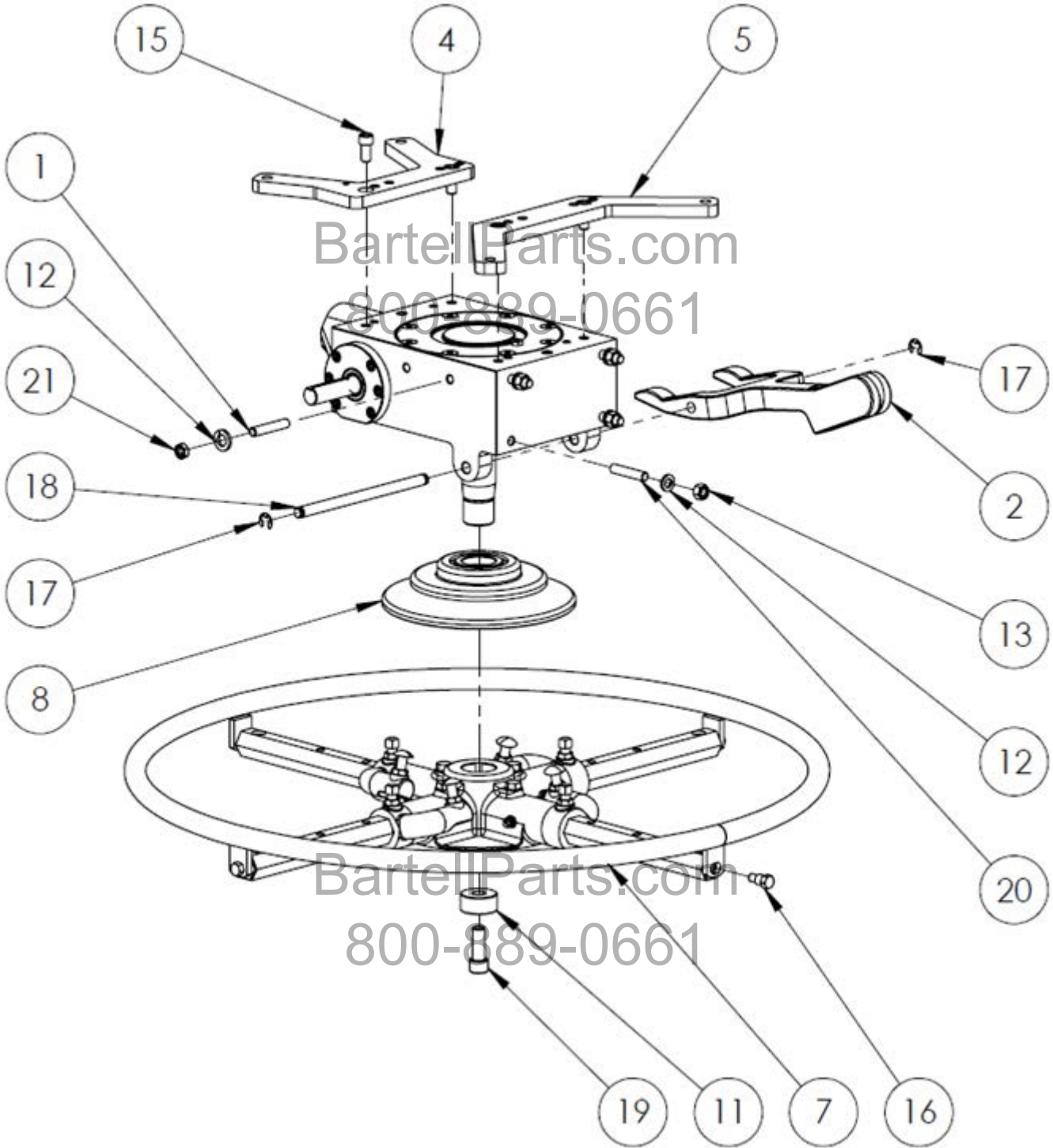
GENERAL ASSEMBLY: BC446 - PARTS LIST 1

Item #	Part #	Description	QTY	Remarks
1	10208	KEY, 3/16" SQ. X 1 1/2" LG	1	7/20/2014
4	10608	KEY, 1/4" SQ. X 1-5/32" LG	1	7/20/2014
5	11217 11178	BELT, B30 (GX270) BELT, B29 (GX340, GX390)	1	7/20/2014
6	14285	SHEAVE, MB58 X 3/4	1	7/20/2014
8	21823	CLUTCH, 1" BORE	1	7/20/2014
9	21067-1	BELT GUARD, LG	1	7/20/2014
12	21772 20448	GUARD RING, BLUE GUARD RING, CHROME	1	7/20/2014
13	20231C 20231E	HANDLE ASSEMBLY HANDLE ASSEMBLY, EUROPEAN	1	7/20/2014
22	41516	WASHER, FLAT, M10	5	7/20/2014
23	11621	WASHER, LOCK, SPLIT, M10	5	7/20/2014
24	11622	HEX NUT, M10	9	7/20/2014
26	14227	STUD, M10-1.5 X 40MM	4	7/20/2014
28	14267	WASHER, FLAT, M12	4	7/20/2014
32	11621	WASHER, LOCK, SPLIT, M10	1	7/20/2014
36	10735	WASHER, LOCK, M12	4	7/20/2014
37	11900	HHCS, M12-1.75 X 25MM LG	4	7/20/2014
39	21743	STUD, M10-1.5 X 40MM	4	7/20/2014
40	31008	HHCS, M10-1.5 X 20MM LG	1	7/20/2014
44	11112	SCREW, MUFFLER CAP	1	7/20/2014
45	11115	MUFFLER CAP	2	7/20/2014
46	20171	HOIST HOOK (OPTION) (NOT SHOWN)	1	7/20/2014
47	30041	FHSCS, 5/16"-24 X 3/4" (WITH HOIST HOOK)	4	7/20/2014

800-889-0661

PARTS LIST 2 – WALK-BEHIND TROWELS

BASE UNIT ASSEMBLY DIAGRAM: BC446





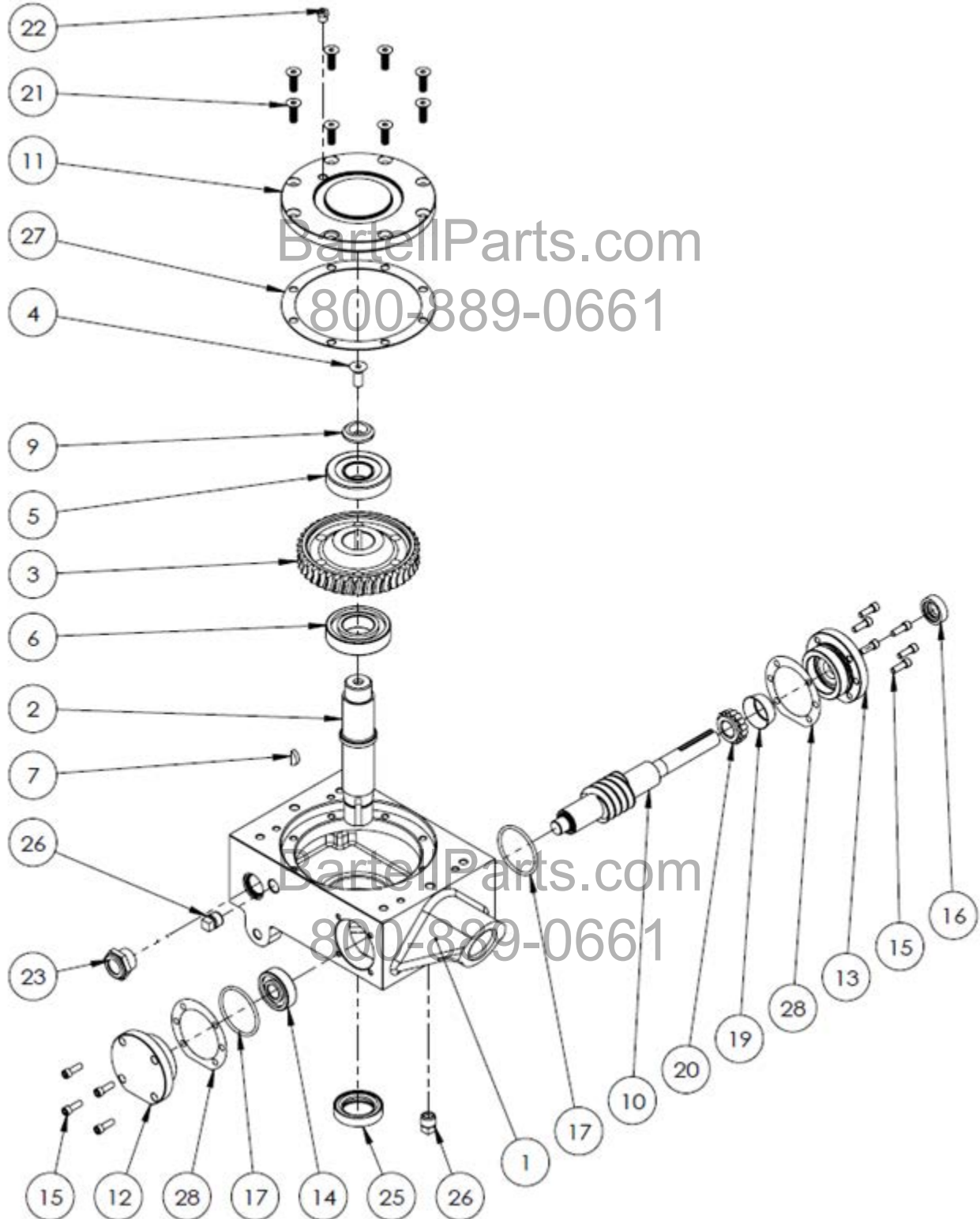
BASE UNIT ASSEMBLY: BC446 - PARTS LIST 2

Item #	Part #	Description	QTY	Remarks
1	21743	STUD, M10-1.5 X 40MM LG	1	7/20/2014
2	21836	YOKE ARM	1	7/20/2014
4	15346-1	MOUNTING RAIL, FRONT	1	7/20/2014
5	15347-1	MOUNTING RAIL, REAR	1	7/20/2014
7	21772	STABILIZER RING, BLUE	1	7/20/2014
8	-	PRESSURE PLATE ASSY (SEE PARTS LIST 5)	1	7/20/2014
11	10804	RETAINER	1	7/20/2014
12	11621	WASHER, LOCK, M10	5	7/20/2014
13	11622	HEX NUT, M10-1.5	4	7/20/2014
15	10072	SHCS, M10-1.5 X 20MM LG	4	7/20/2014
16	51010	SHCS, M8-1.25 x 12MM LG	4	7/20/2014
17	10913	RETAINING RING	2	7/20/2014
18	10914	YOKE PIN	1	7/20/2014
19	11903	SHCS, M12-1.75 X 30MM LG	1	7/20/2014
20	21743	STUD, M10-1.5 X 40MM LG	4	7/20/2014
21	11622	HEX NUT, M10-1.5	1	7/20/2014

BartellParts.com
800-889-0661

PARTS LIST 3 – WALK-BEHIND TROWELS

GEARBOX ASSEMBLY DIAGRAM: 21835



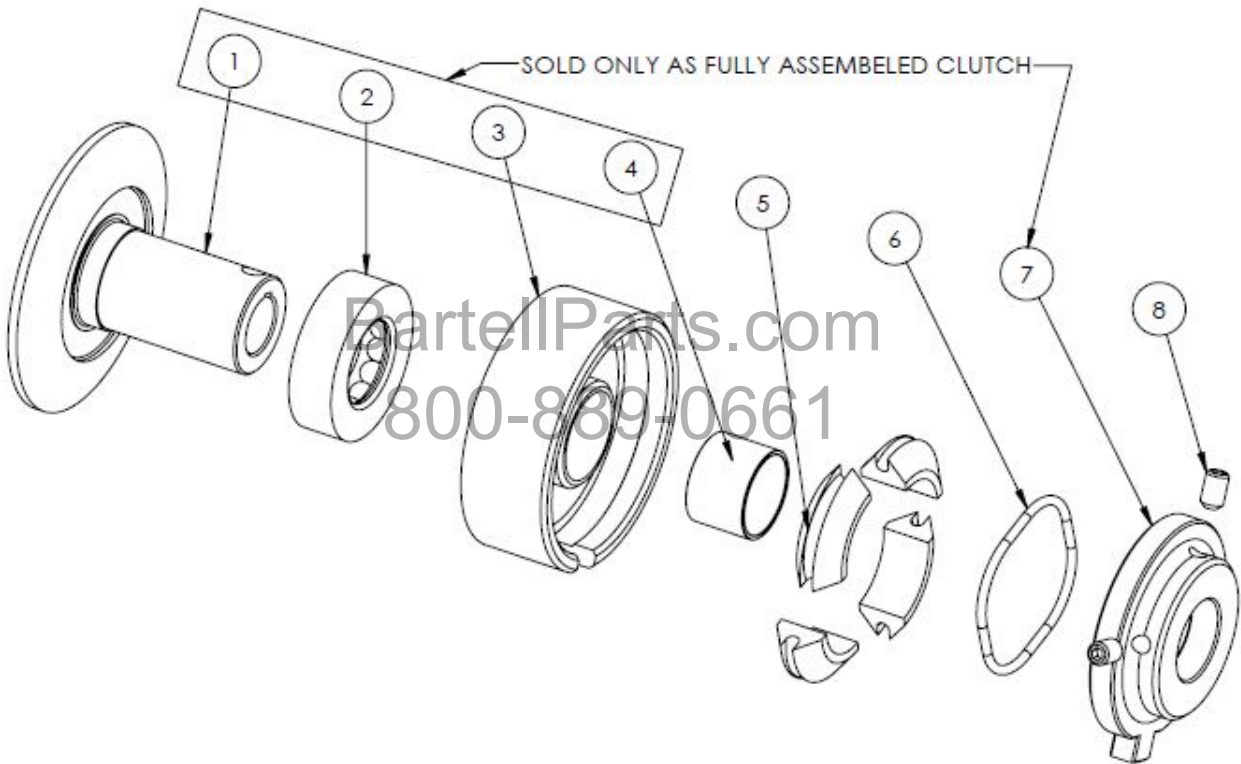
GEARBOX ASSEMBLY: 21835 - PARTS LIST 3

Item #	Part #	Description	QTY	Remarks
1	21839	GEARBOX HOUSING	1	7/20/2014
2	21738	MAIN SHAFT	1	7/20/2014
3	21737	MAIN GEAR	1	7/20/2014
4	21846	FLAT HEAD SCREW, MAINSHAFT	1	7/20/2014
5	21755	BEARING, TAPER	1	7/20/2014
6	21760	BEARING	1	7/20/2014
7	21759	WOODRUFF KEY	1	7/20/2014
9	21734	PRESSURE WASHER	1	7/20/2014
10	21740	COUNTERSHAFT	1	7/20/2014
11	21733	GEARBOX COVER	1	7/20/2014
12	21741	LARGE END CAP	1	7/20/2014
13	21739	LARGE FLANGE	1	7/20/2014
14	21753	BEARING	1	7/20/2014
15	31135	SHCS, M6-1.0 X 16MM LG	10	7/20/2014
16	21749	OIL SEAL	1	7/20/2014
17	21756	O RING	2	7/20/2014
19	21754	BEARING CUP	1	7/20/2014
20		BEARING CONE	1	7/20/2014
21	31106	SHCS, M8-1.25 X 20MM LG	8	7/20/2014
22	21736	RELIEF VALVE	1	7/20/2014
23	10930	SIGHT GLASS	1	7/20/2014
25	21757	OIL SEAL	1	7/20/2014
26	21747	DRAIN PLUG	2	7/20/2014
27	21842-1	GASKET, COVER, 0.1MM	A/R	7/20/2014
	21842-2	GASKET, COVER, 0.2MM		
28	21843-1	GASKET, FLANGE, 0.1MM	A/R	7/20/2014
	21843-2	GASKET, FLANGE, 0.2MM		

BartellParts.com
800-889-0661

PARTS LIST 4– WALK-BEHIND TROWELS

BC446 CLUTCH ASSEMBLY DIAGRAM: 21823

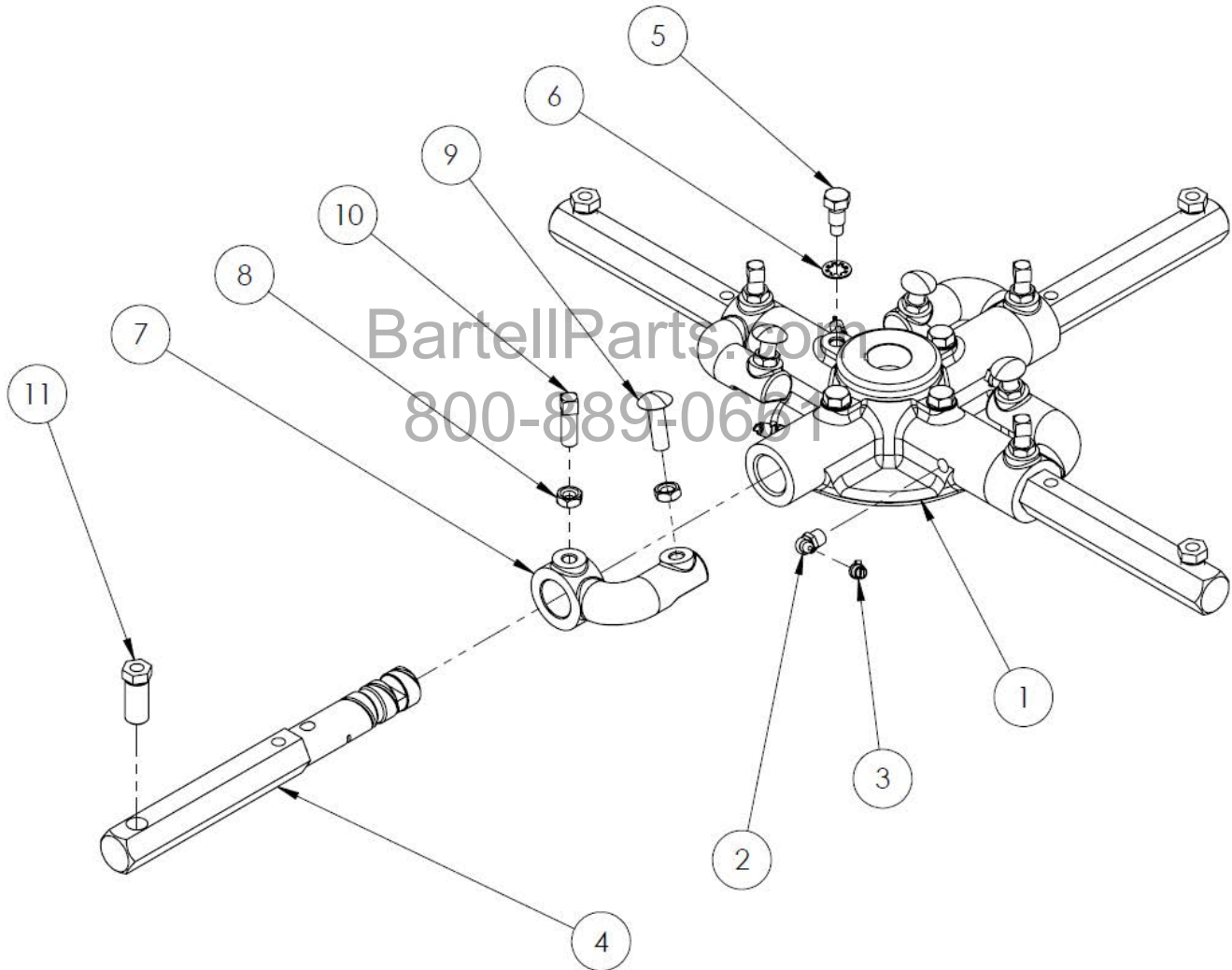


BC446 CLUTCH ASSEMBLY: 21823 (1" SHAFT) – PARTS LIST 4

Item #	Part #	Description	QTY	Remarks
1	21825	SPINDLE (PART OF ASSEMBLY 21823)	1	8/21/2007
2	21826	BEARING (PART OF ASSEMBLY 21823)	1	8/21/2007
3	21827	DRUM W/BUSHING (PART OF ASSEMBLY 21823)	1	8/21/2007
4		BUSHING (PART OF ASSEMBLY 21823)	1	8/21/2007
5	21828	WEIGHT (SHOE)	4	8/21/2007
6	21829	SPRING	1	8/21/2007
7	21830	FACE PLATE (PART OF ASSEMBLY 21823)	1	8/21/2007
8	21831	SET SCREW	2	8/21/2007

PARTS LIST 5 – WALK-BEHIND TROWELS

SPIDER PLATE ASSEMBLY DIAGRAM: 21834



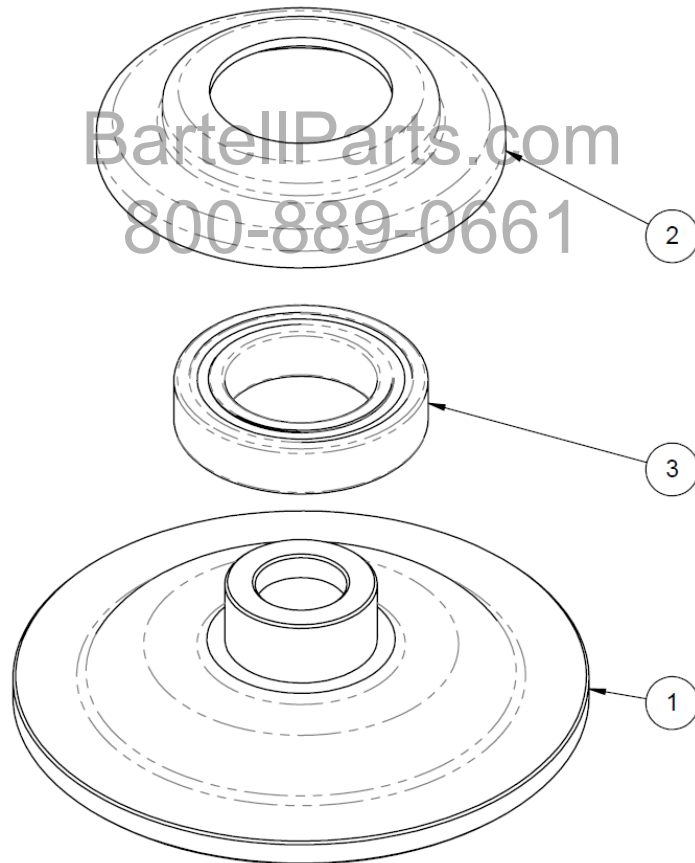
SPIDER PLATE ASSEMBLY: 21834 – PARTS LIST 5

Item #	Part #	Description	QTY	Remarks
1	21762	SPIDER PLATE	1	7/20/2014
2	21769	GREASE FITTING	4	7/20/2014
3	10822	CAP PLUG	4	7/20/2014
4	21833	TROWEL ARM	4	7/20/2014
5	21766	HHCS, M10-1.25 X 20MM LG, DOG POINT	4	7/20/2014
6	10805	LOCKWASHER, INT.	4	7/20/2014
7	21763	LIFT LEVER	4	7/20/2014
8	21764	HEX JAM NUT, M10-1.5	8	7/20/2014
9	21767	CARRIAGE BOLT, M10-1.5 X 35MM LG	4	7/20/2014
10	21765	SHSS, CONE POINT, M10-1.5 X 30MM LG.	4	7/20/2014

11	21811	ADJUSTING SCREW	4	7/20/2014
----	-------	-----------------	---	-----------

PARTS LIST 6 – WALK-BEHIND TROWELS

PRESSURE PLATE ASSEMBLY DIAGRAM:



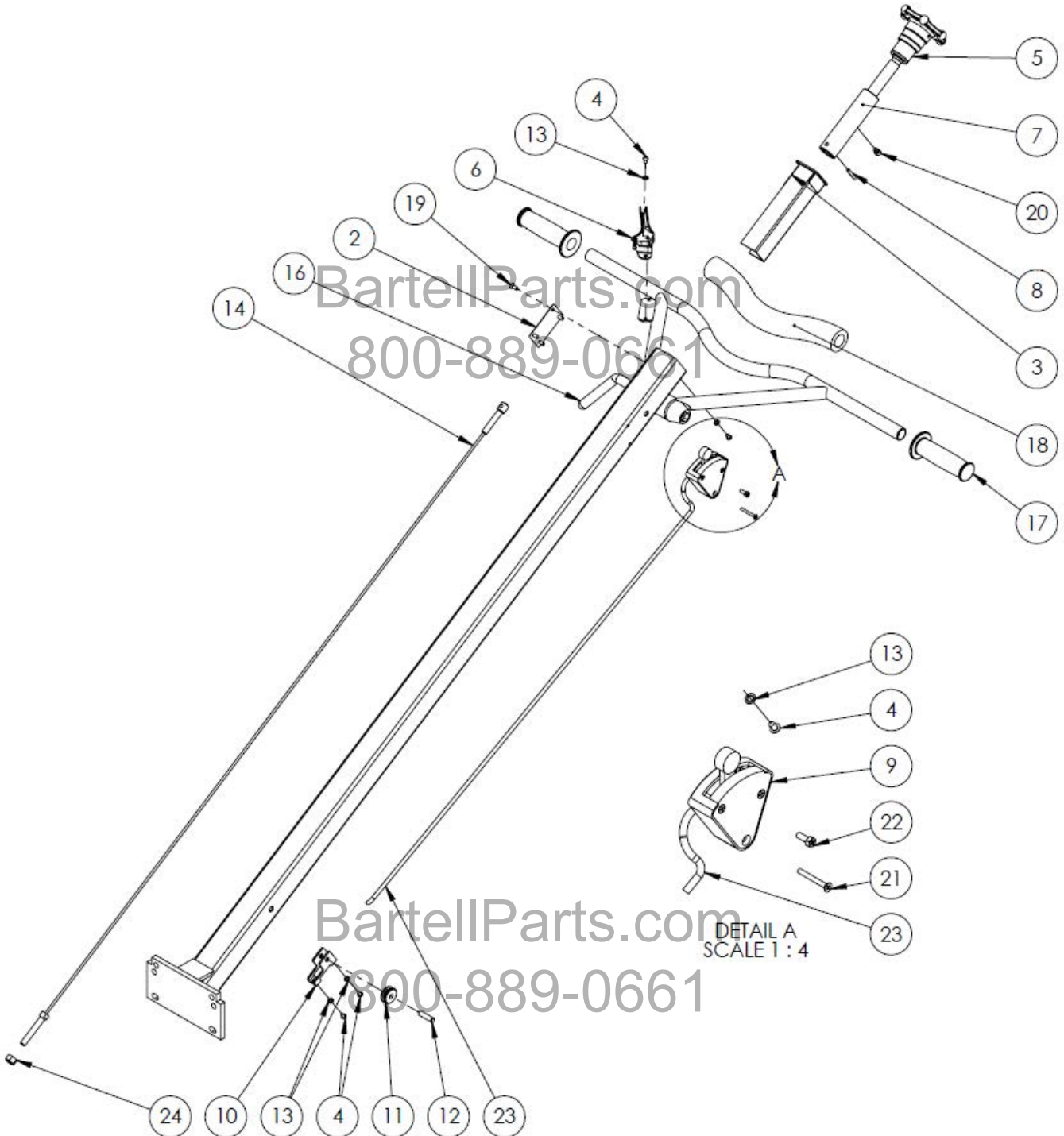
BartellParts.com
800-889-0661

PRESSURE PLATE ASSEMBLY: PARTS LIST 6

Item #	Part #	Description	QTY	Remarks
1	21771	PRESSURE PLATE	1	7/20/2014
2	21776	THRUST BEARING	1	7/20/2014
3	21770	PRESSURE PLATE CAP	1	7/20/2014

PARTS LIST 7: WALK-BEHIND TROWELS

HANDLE ASSEMBLY DIAGRAM: 20231C FINE PITCH



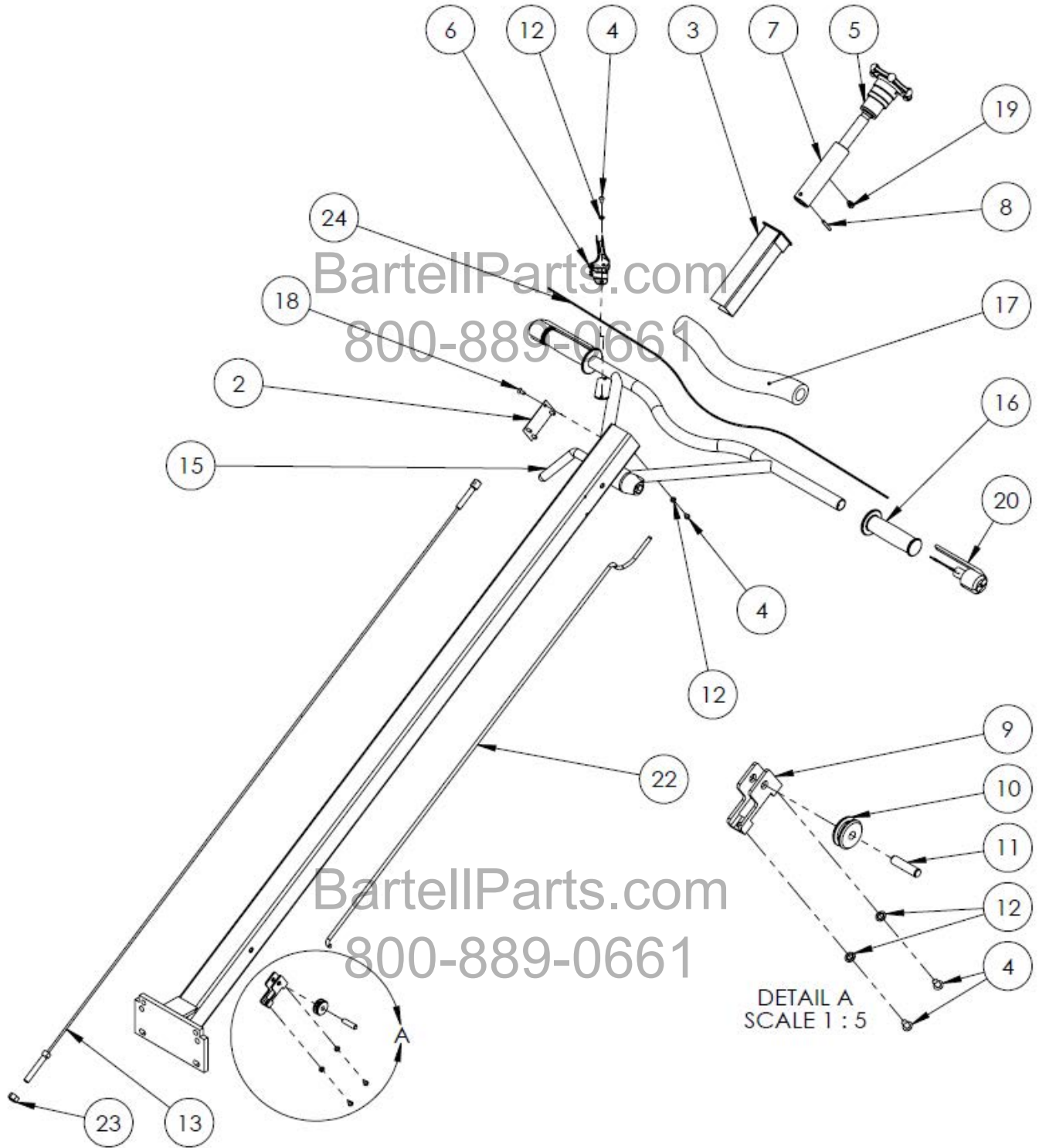
HANDLE ASSEMBLY: 20231C – PARTS LIST 7

Item #	Part #	Description	QTY	Remarks
2	20113	SIDE COVER	1	10/01/2014
3	20112	PITCH INSERT	1	10/01/2014
4	21726	PHMS, M6-1.0 X 12MM LG	3	10/01/2014
5	21714	HAND KNOB ASSEMBLY	1	10/01/2014
6	10895	THROTTLE LEVER ASSEMBLY, W/ CABLE	1	10/01/2014
7	21722	THREADED SLIDE BUSHING	1	10/01/2014
8	21724	PIN, M5 X 35MM LG	1	10/01/2014
9	21847	SAFETY SWITCH	1	10/01/2014
13	10703	LOCK WASHER, INTERNAL TOOTH	3	10/01/2014
14	20332	PITCH CONTROL CABLE, 1385MM, M10-1.5	1	10/01/2014
16	20159	HANDLE LOCKING MECHANISM	1	10/01/2014
17	21717	HANDLE GRIP	2	10/01/2014
18	21721	CROSSBAR PAD	1	10/01/2014
19	21218	FHSCS, M5-0.8 X 8MM LG	4	10/01/2014
20	21725	SHCS, M6-1.0 X 6MM LG	1	10/01/2014
21	11856	FHMS M4 X 0.7 X 35MM LG	1	10/01/2014
22	10711	HHCS M5-0.8 X 12MM LG	1	10/01/2014
23	20703	75" WIRE ASSEMBLY	1	10/01/2014
24	11802	LOCKNUT, M10-1.5	1	10/01/2014
	20288	PULLEY ASSEMBLY *INCLUDES PARTS BELOW*	1	5/16/2017
4	21726	PHMS, M6-1.0 X 12MM LG	2	10/01/2014
10	20116	PULLEY SUPPORT	1	10/01/2014
11	21705	PULLEY	1	10/01/2014
12	21706	AXLE, PULLEY	1	10/01/2014
13	10703	LOCK WASHER, INTERNAL TOOTH	2	10/01/2014

BartellParts.com
800-889-0661

PARTS LIST 8: WALK-BEHIND TROWELS

HANDLE ASSEMBLY DIAGRAM: 20231E



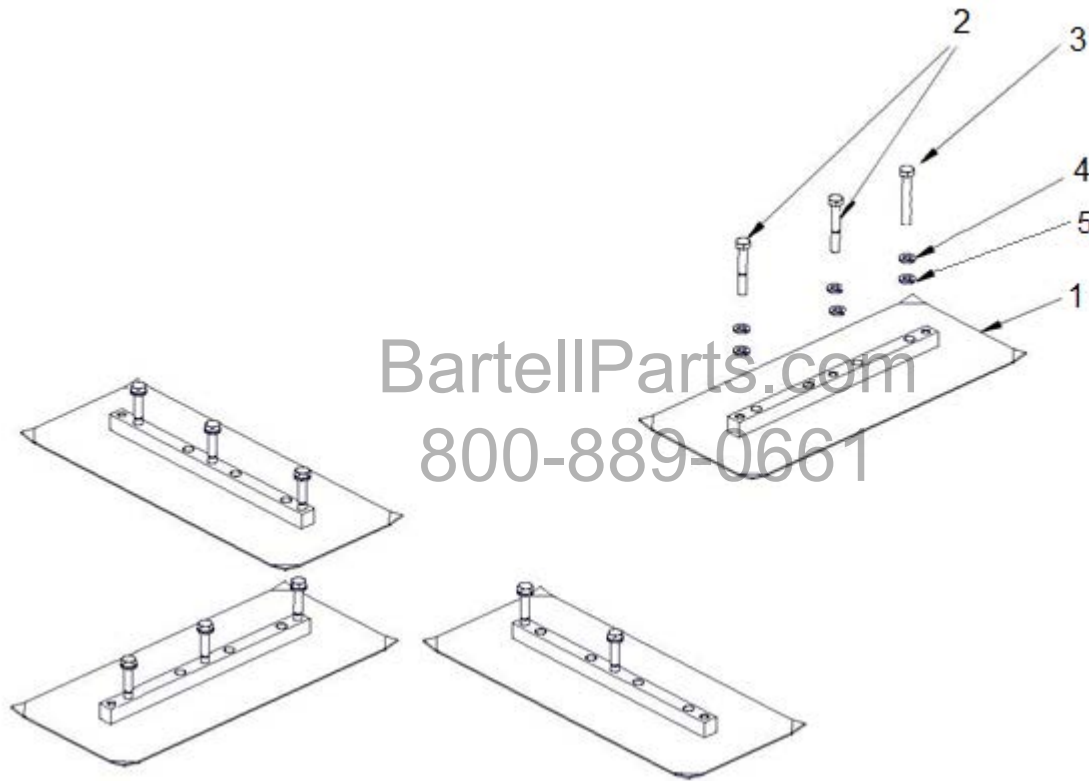
HANDLE ASSEMBLY: 20231E - PARTS LIST 8

Item #	Part #	Description	QTY	Remarks
2	20113	SIDE COVER	1	10/01/2014
3	20112	PITCH INSERT	1	10/01/2014
4	21726	PHMS, M6-1.0 X 8MM LG	3	10/01/2014
5	21714	HAND KNOB ASSEMBLY	1	10/01/2014
6	10895	THROTTLE LEVER ASSEMBLY, W/ CABLE	1	10/01/2014
7	21722	THREADED SLIDE BUSHING	1	10/01/2014
8	21724	PIN, M5 X 35MM LG	1	10/01/2014
12	10521	LOCK WASHER, M6	3	10/01/2014
13	20332	PITCH CONTROL CABLE, 1385MM, M10-1.5	1	10/01/2014
15	20159	HANDLE LOCKING MECHANISM	1	10/01/2014
16	21717	HANDLE GRIP	2	10/01/2014
17	21721	CROSSBAR PAD	1	10/01/2014
18	21218	FHSCS, M5-0.8 X 8MM LG	4	10/01/2014
19	21725	SHCS, M6-1.0 X 6MM LG	1	10/01/2014
20	11852	SAFETY LEVER	2	10/01/2014
22	20509-2	EURO WIRE ASSEMBLY	1	10/01/2014
23	11802	LOCKNUT, M10-1.5	1	10/01/2014
24	20515-1	27" WIRE ASSEMBLY	1	10/01/2014
	20288	PULLEY ASSEMBLY *INCLUDES PARTS BELOW*	1	5/16/2017
4	21726	PHMS, M6-1.0 X 8MM LG	2	10/01/2014
9	20116	PULLEY SUPPORT	1	10/01/2014
10	21705	PULLEY	1	10/01/2014
11	21706	AXLE, PULLEY	1	10/01/2014
12	10521	LOCK WASHER, M6	2	10/01/2014

BartellParts.com
800-889-0661

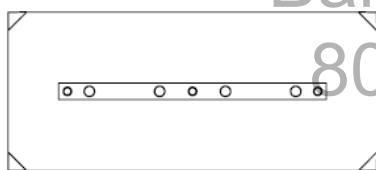
PARTS LIST 9 – WALK-BEHIND TROWELS

BLADE KIT ASSEMBLY DIAGRAM

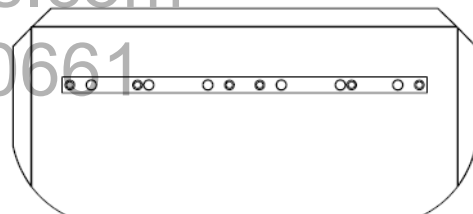


BC446 BLADES – PARTS LIST 9

Item #	Part #	Description	QTY	Remarks
1	-	TROWEL BLADE	4	10/01/2014
2	10784	HEX HD. CAP SCREW, M8-1.25 X 45MM	8	10/01/2014
3	11745	HEX HD. CAP SCREW, M8-1.25 X 55MM	4	10/01/2014
4	11614	LOCK WASHER, M8	12	10/01/2014
5	11538	2.5MM SPACER	12	10/01/2014



STANDARD FINISHING BLADE

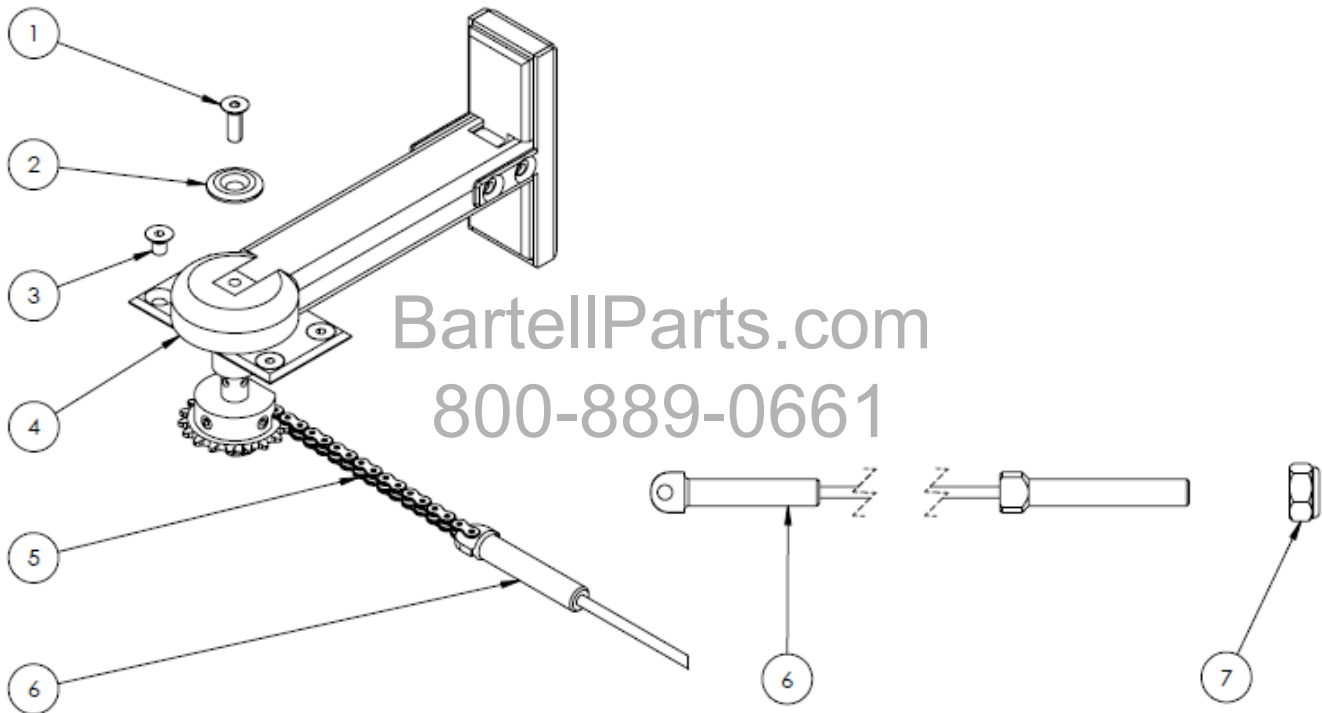


STANDARD COMBINATION BLADE

Part #	Dimensions	Part #	Dimensions
20662	6" x 18" (15.2CM x 45.7CM)	20663	8" x 18" (20.3CM x 45.7CM)

PARTS LIST 10: WALK-BEHIND TROWELS

EASY PITCH ASSEMBLY DIAGRAM: 20259



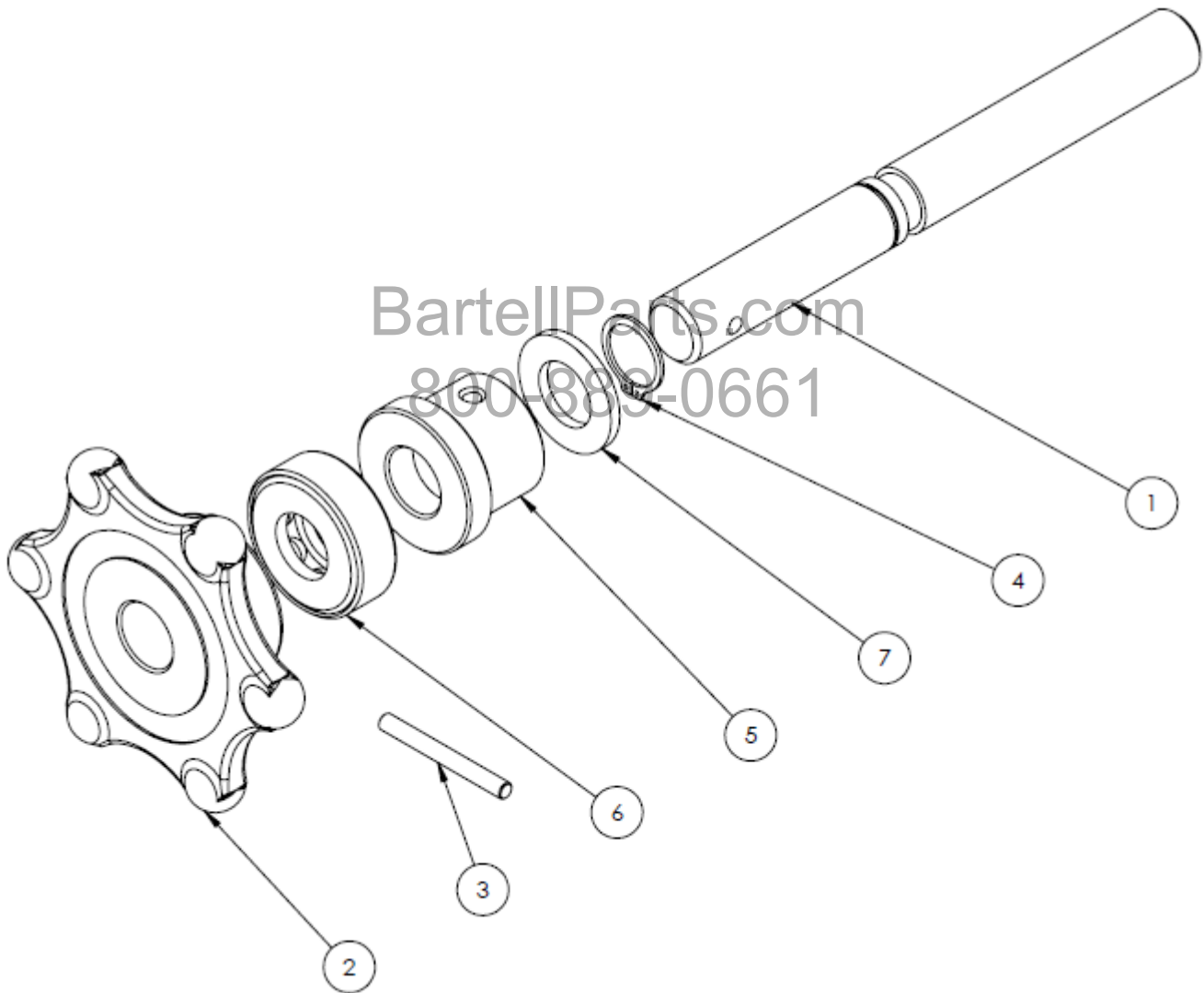
EASY PITCH: 20259 - PARTS LIST 10

Item #	Part #	Description	QTY	Remarks
1	20226	FHCS, M5-0.8 X 15MM	2	08/04/2007
2	20208	WASHER, M5, 3.5MM THICK	2	
3	20227	FHCS, M5-0.8 X 10 MM	4	08/04/2007
4	20270	HANDLE ASSEMBLY	1	08/04/2007
5	20209	CHAIN ASSEMBLY, #25	1	
6	20334	PITCH CONTROL CABLE	1	
7	11802	LOCK NUT, M10-1.5	1	

SOLD AS ASSEMBLY ONLY

PARTS LIST 11 – WALK-BEHIND TROWELS

HAND KNOB ASSEMBLY DIAGRAM: 21714



HAND KNOB ASSEMBLY: 21714 – PARTS LIST 11

Item #	Part #	Description	QTY	Remarks
1	21713	SCREW SHAFT	1	1/21/2015
2	21707	KNOB	1	1/21/2015
3	21708	PIN, M5 X 50MM LG	1	1/21/2015
4	21712	RETAINER	1	1/21/2015
5	21710	BUSHING	1	1/21/2015
6	21709	THRUST BEARING	1	1/21/2015
7	21711	WASHER	1	1/21/2015