

PARTS MANUAL



MODEL LT6KV 60 HZ LIGHT TOWER/GENERATOR (KOHLER KDW 1003 DIESEL ENGINE)

Revision #0 (07/08/16)

THIS MANUAL MUST ACCOMPANY THE EQUIPMENT AT ALL TIMES.

P/N: 44228

SUGGESTED SPARE PARTS

LT6KV LIGHT TOWER

1 to 3 units

Qty.	P/N	Description
2	MVR1000BT37	BULB, LIGHT FIXTURE
1	190ZQREF	REF 1000 LENS
1	200ZG106	GASKET, U-CHANL REFLEC
1	12009	FILTER, IN-TANK (FUEL)
1	29694	CAP, FUEL W/LANYARD
1	59006	EXICITATION CAPACITOR
1	19598	CAP. 24uF LAMP BALLAST
1	34098	CIRCUIT BREAKER, 15A
2	34097	CIRCUIT BREAKER, 20A
1	34096	CIRCUIT BREAKER, 30A
1	34093	JACK, 2000#, 10" TOP WIND
1	34101	COVER, ACCESS PANEL
1	34378	GASKET, ACCESS PANEL
1	16185	FITTING, PLUG

NOTICE

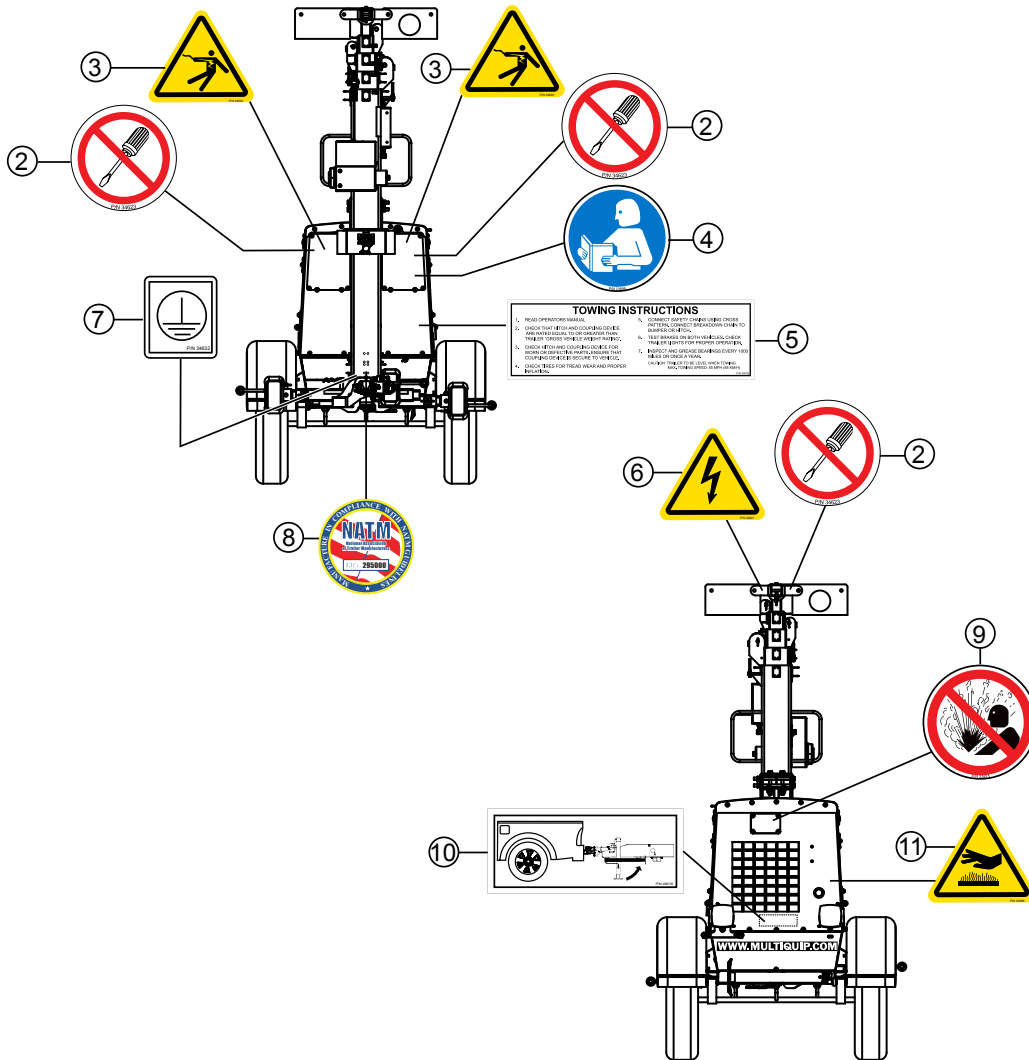
Part numbers on this Suggested Spare Parts list may supersede/replace the part numbers shown in the following parts lists.

KOHLER KDW1003 DIESEL ENGINE

1 to 3 units

Qty.	P/N	Description
3	ED0021752880S	FUEL FILTER
3	ED0021752830S	OIL FILTER
3	ED0021751640S	CARTRIDGE, AIR FILTER
1	ED0024403200S	FAN BELT
1	ED0067450560S	OIL PRESSURE SWITCH
2	ED34001S	KEY, IGNITION, DBL SIDED

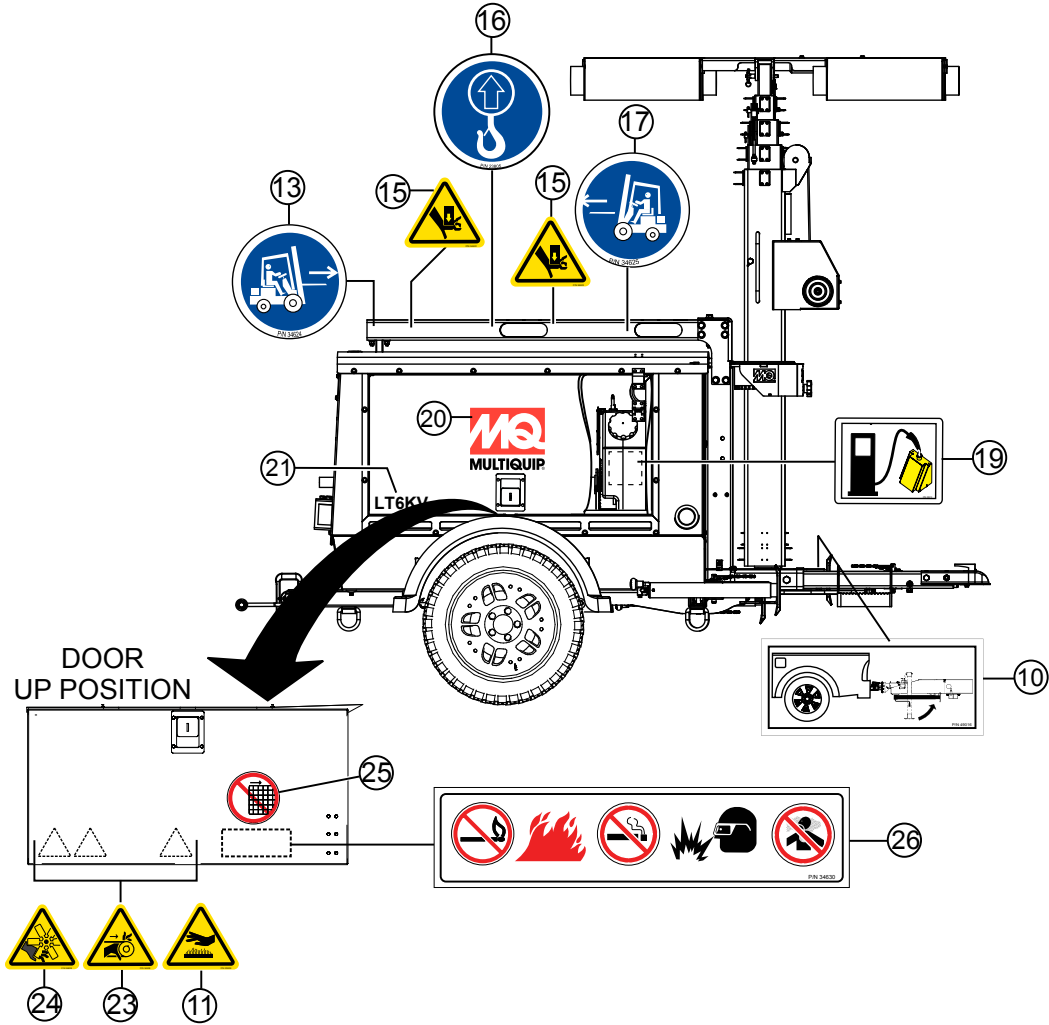
NAMEPLATE AND DECALS



NAMEPLATE AND DECALS

<u>NO.</u>	<u>PART NO.</u>	<u>PART NAME</u>	<u>QTY.</u>	<u>REMARKS</u>
2	34623	DECAL ISO: DND. HAZ., 2.00" DIA.	3	
3	34620	DECAL ISO: ELEC. HAZARD, 2.4" X 2.0"	2	
4	23699	DECAL ISO: READ MANUAL, 2.00" DIA.	1	
5	49009	DECAL: TOWING INST., 7.75" X 2.5	1	
6	34621	DECAL ISO: HI. VOL. HAZARD, 2.4" X 2.0"	1	
7	34632	DECAL ISO: GROUND 1.00" X 1.00"	1	
8	EE56342	DECAL: NATM, 2.75" DIA.	1	
9	23875	DECAL ISO: HOT CLNT HAZARD, 2.00" DIA.	1	
10	49016	DECAL: HORI. JACK STANDS 4.10" X 1.80"	3	
11	23808	DECAL ISO: HOT SUR. HAZARD 2.4" X 2.00"	2	
12	34808	DECAL: MQ WEBSITE 18.00" X 1.20"	1	

NAMEPLATE AND DECALS



NAMEPLATE AND DECALS

<u>NO.</u>	<u>PART NO.</u>	<u>PART NAME</u>	<u>QTY.</u>	<u>REMARKS</u>
10	49016	DECAL: HORI. JACK STANDS 4.10" X 1.80"	3	
11	23808	DECAL ISO: HOT SURFACE HAZARD 2.4" X 2.00"	2	
13	34624	DECAL ISO: FORKLIFT LEFT 2.00" DIA.	2	
15	34622	DECAL ISO: CRUSH HAZARD 2.4" X 2.0"	6	
16	34626	DECAL ISO: LIFTING POINT 2.00" DIA	2	
17	34625	DECAL ISO: FORKLIFT RIGHT 2.00" DIA	2	
18	34631	DECAL: MAST ROT., 2.00" X 2.45"	1	
19	23813	DECAL: FUEL, DIESEL 2.00" X 2.45"	1	
20	34806	DECAL: MQ LOGO 12.00" X 10.00"	2	
21	44227	DECAL: LT6KV LOGO 10.00" X 3.00"	2	
23	34629	DECAL ISO: ENTANG. HAZARD, 2.4" X 2.00"	2	
24	34628	DECAL ISO: BLD ROT. HAZARD, 2.4" X 2.00"	2	
25	23874	DECAL ISO: DNR GDS. HAZARD 2.00" DIA.	2	
26	34630	DECAL: FIRE, EXP., SMOKING HAZARD 6.50" X 1.40"	1	

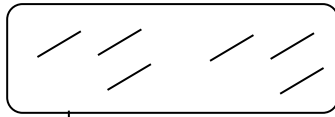
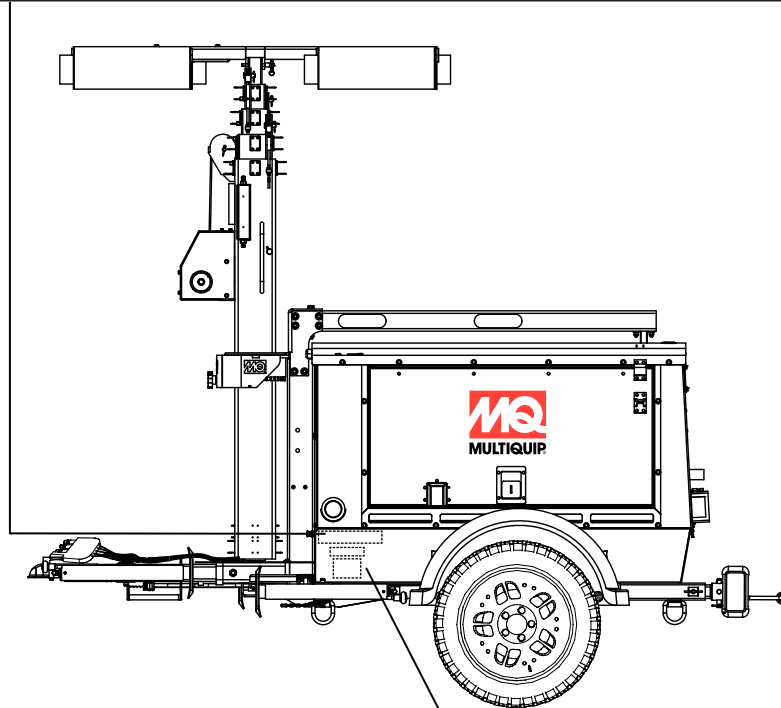
NAMEPLATE AND DECALS

<u>NO.</u>	<u>PART NO.</u>	<u>PART NAME</u>	<u>QTY.</u>	<u>REMARKS</u>
1		DECAL: SERIAL PLATE	1.....	CONTACT MQ PARTS DEPT
10	49016	DECAL: HORI. JACK STANDS 4.10" X 1.80"	3	
13	34624	DECAL ISO: FORKLIFT LEFT 2.00" DIA.	2	
14	49911	DECAL: WARNING UV RAD., 6.50" X 3.40"	1	
15	34622	DECAL ISO: CRUSH HAZARD 2.4" X 2.0"	6	
16	34626	DECAL ISO: LIFTING POINT 2.00" DIA	2	
17	34625	DECAL ISO: FORKLIFT RIGHT 2.00" DIA	2	
20	34806	DECAL: MQ LOGO 12.00" X 10.00"	2	
21	44227	DECAL: LT6KV LOGO 10.00" X 3.00"	2	
22	34956	DECAL: OPR. INSTR. 13.25" X 13.25"	1	
23	34629	DECAL ISO: ENTANG. HAZARD, 2.4" X 2.00"	2	
24	34628	DECAL ISO: BLD ROT. HAZARD, 2.4" X 2.00"	2	
25	23874	DECAL ISO: DNR GDS. HAZARD 2.00" DIA.	2	
31	44189	DECAL: MAST OPR. INST., 16.23" X 5.2"	1	
32	4014	SCREW, 2-3/16 P-K TYPE U-DRIVE	2	

NAMEPLATE AND DECALS

⚠ WARNING	⚠ WARNING	⚠ WARNING	⚠ WARNING
<p>To prevent uncoupling from the tow vehicle perform the following:</p> <ol style="list-style-type: none"> CHECK BALL and COUPLER for worn or defective parts. CHECK that BALL load rating is the same as or greater than the COUPLER load rating. CHECK that the BALL and COUPLER are the same size. Open COUPLER CLAMP and place onto BALL. Close COUPLER CLAMP. LIFT COUPLER upwards to test that it will not separate from BALL. LOCK coupler clamp with pin or lock. 	<p>ALWAYS use safety chains. Safety chains keep unit attached to tow vehicle in the event of coupler malfunction.</p> <p>Perform the following when attaching safety chains:</p> <p>TOW VEHICLE FRAME</p> <ol style="list-style-type: none"> CROSS chains underneath coupler. ALLOW for slack for trailer to turn. ATTACH safety chain hooks securely to tow vehicle frame. 	<p>Lights can prevent trailer from being hit by other vehicles. Perform the following when connecting the trailer lights:</p> <p>DISCONNECTED</p> <p>CONNECTED</p> <ol style="list-style-type: none"> CONNECT trailer and tow vehicle light plugs. CHECK all lights: tail, turn, signal and brake. Make sure all lights are working properly. DO NOT TOW if lights are not working correctly. 	<p>Tire, wheel or lug nut failure can cause loss of control. Perform the following before towing:</p> <ol style="list-style-type: none"> CHECK tire pressure and tread. CHECK tires and wheels for damage. CHECK lug nuts for tightness. For new and remounted wheels re-tighten lug nuts at first 10, 25 and 50 miles of driving. CHECK and test brakes on both vehicles. INSPECT and grease trailer bearings every 1000 miles or once a year. Trailer to be level when towing. Maximum towing speed not to exceed 55 MPH (88 KM/H). <p>TIRE AND WHEEL OK? LUG NUTS TIGHT?</p> <p>PIN 34527</p>

27



28

MANUFACTURED BY: FAIRBANKS PAR: MULTIQUIP INC. DATE:

OWNER: _____ COLD REG. WASH. PRESS

GRADE (BLACK AXLE): _____ DE. GONAL. A. FROD

TIRE / PNEU: _____ RIM / JANTE: _____ 800 PNEU LANE

THIS VEHICLE CONFORMS TO ALL APPLICABLE STANDARDS PRESCRIBED UNDER THE CANADIAN MOTOR VEHICLE SAFETY REGULATIONS IN EFFECT ON THE DATE OF MANUFACTURE. IF THE U.S. CUSTOMER NOTICES ANY DEFECTS NOT AUTHORIZED BY THE U.S. FEDERAL MOTOR VEHICLE SAFETY REGULATIONS, THE U.S. CUSTOMER SHOULD CONTACT THE MANUFACTURER.

THIS VEHICLE CONFORMS TO ALL APPLICABLE U.S. FEDERAL MOTOR VEHICLE SAFETY REGULATIONS IN EFFECT ON THE DATE OF MANUFACTURE SHOWN ABOVE.

VIN: _____ TYPE: TRAILER

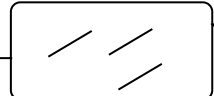
29

THE AIR-CHARGING REGULATIONS (REGULATIONS EN CHARGES D'AIR) SONT EN VIGUEUR.

The weight of your trailer may exceed the weight of the vehicle. Do not exceed the weight of the vehicle.

TYPE	MAX. GROSS WEIGHT	MAX. GROSS WEIGHT	MAX. GROSS WEIGHT
TRAILER	10000 LBS	10000 LBS	10000 LBS
TOTAL	10000 LBS	10000 LBS	10000 LBS
NET WT.	10000 LBS	10000 LBS	10000 LBS
NET WT.	10000 LBS	10000 LBS	10000 LBS
NET WT.	10000 LBS	10000 LBS	10000 LBS
NET WT.	10000 LBS	10000 LBS	10000 LBS

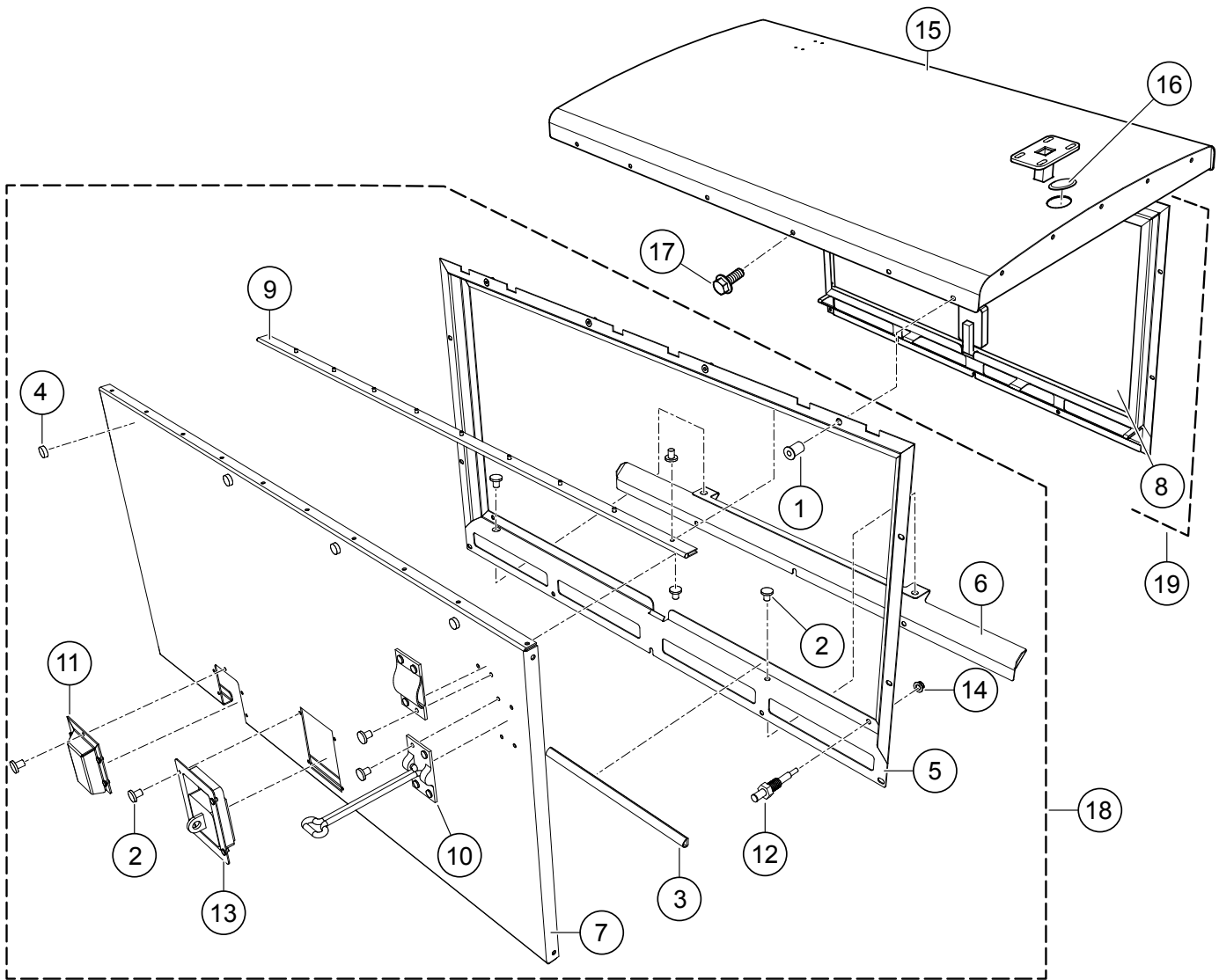
30



NAMEPLATE AND DECALS

<u>NO.</u>	<u>PART NO.</u>	<u>PART NAME</u>	<u>QTY.</u>	<u>REMARKS</u>
27	34627	DECAL: WARNING, TOWING 13.1" X 2.3"	1	
28	EE56313	OVERLAY	1	
29		DECAL: VIN AND TIRE TAG.....	1.....	CONTACT MQ PARTS DEPT.
30	EE56314	OVERLAY	1	

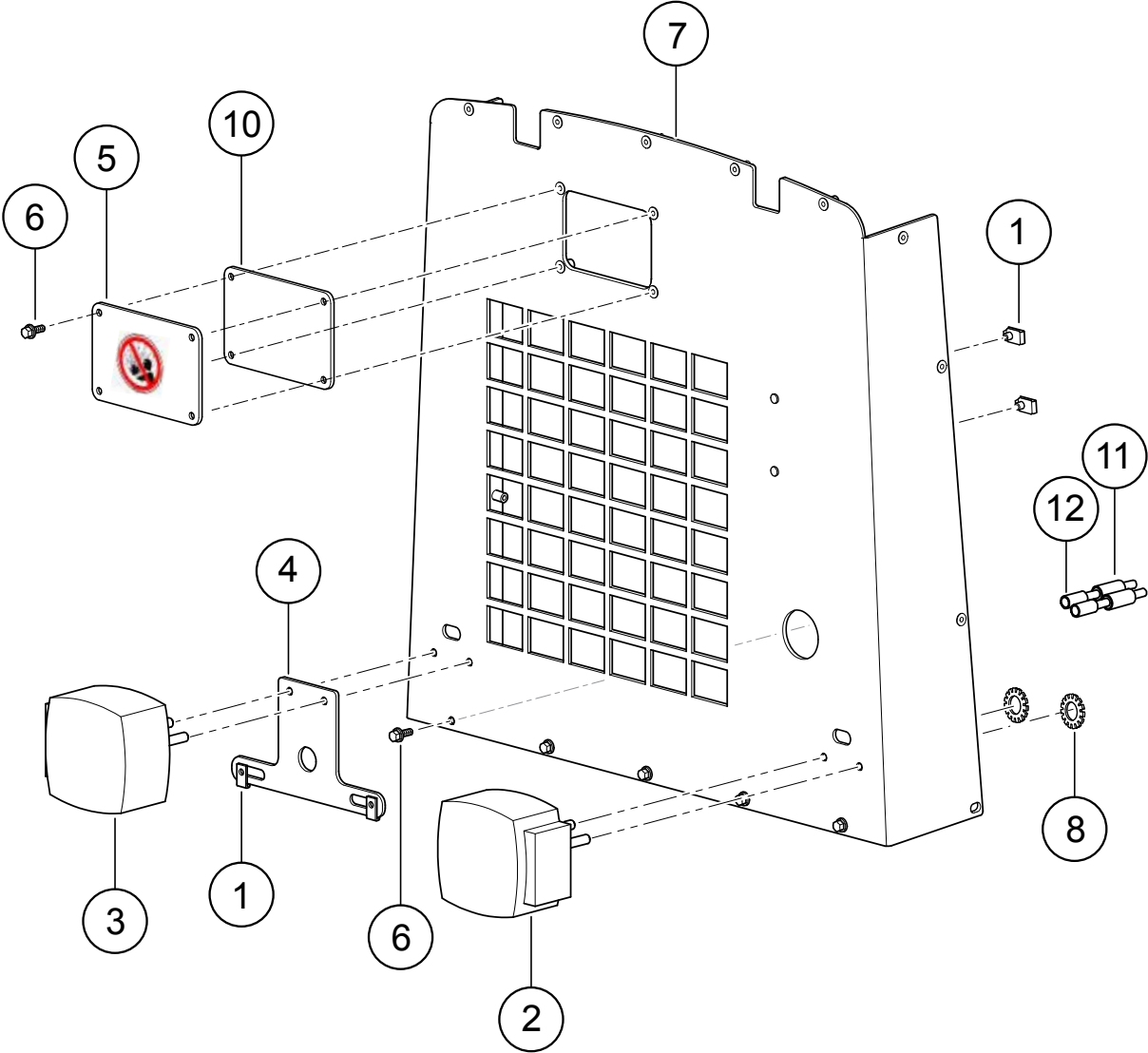
CABINET ASSY.



CABINET ASSY.

<u>NO.</u>	<u>PART NO.</u>	<u>PART NAME</u>	<u>QTY.</u>	<u>REMARKS</u>
1#@	19266	NUT, BLIND 1/4-20 X .027-.165	8	
2#@	19847	RIVET, POP, ALUM, 3/16x1/8-1/4" GRIP.....	79	LEFT AND RIGHT SIDE
3#@	29093	GASKET, 1'.....	8	1PC=1FT
4#@	29711	BUMPER, 1/2" DIA., BLACK	8	
5#@	34652	DOOR FRAME	2	
6#@	34655	BAFFLE, AIR INTAKE	2	
7#	34657	DOOR, SHEET METAL.....	1	LEFT SIDE ONLY
8@	34762	DOOR, SHEET METAL.....	1	RIGHT SIDE ONLY
9#@	34658	HINGE, DOOR	2	
10#@	34721	HOOK AND LATCH ASSY., 6"	2	
11#	34750	CORD HAT, AUX POWER ACCESS.....	1	LEFT SIDE ONLY
12#	39171	SWITCH, MOMENTARY DOOR.....	1	LEFT SIDE ONLY
13#@	49137	LATCH, DOOR	1	
14#	49071	NUT, FLANGED 5/16-18 SERRATED PLTD	1	
15	34642	LID	1	
16	20121	PLUG, SPIDER SNAP IN	1	
17	30119	SCREW, 1/4-20 X 7/8" IND HEX	39	
18	34761	DOOR, LEFT, ASSEMBLY.....	1	INCLUDES ITEMS W/#
19	34651	DOOR, RIGHT, ASSEMBLY.....	1	INCLUDES ITEMS W/@

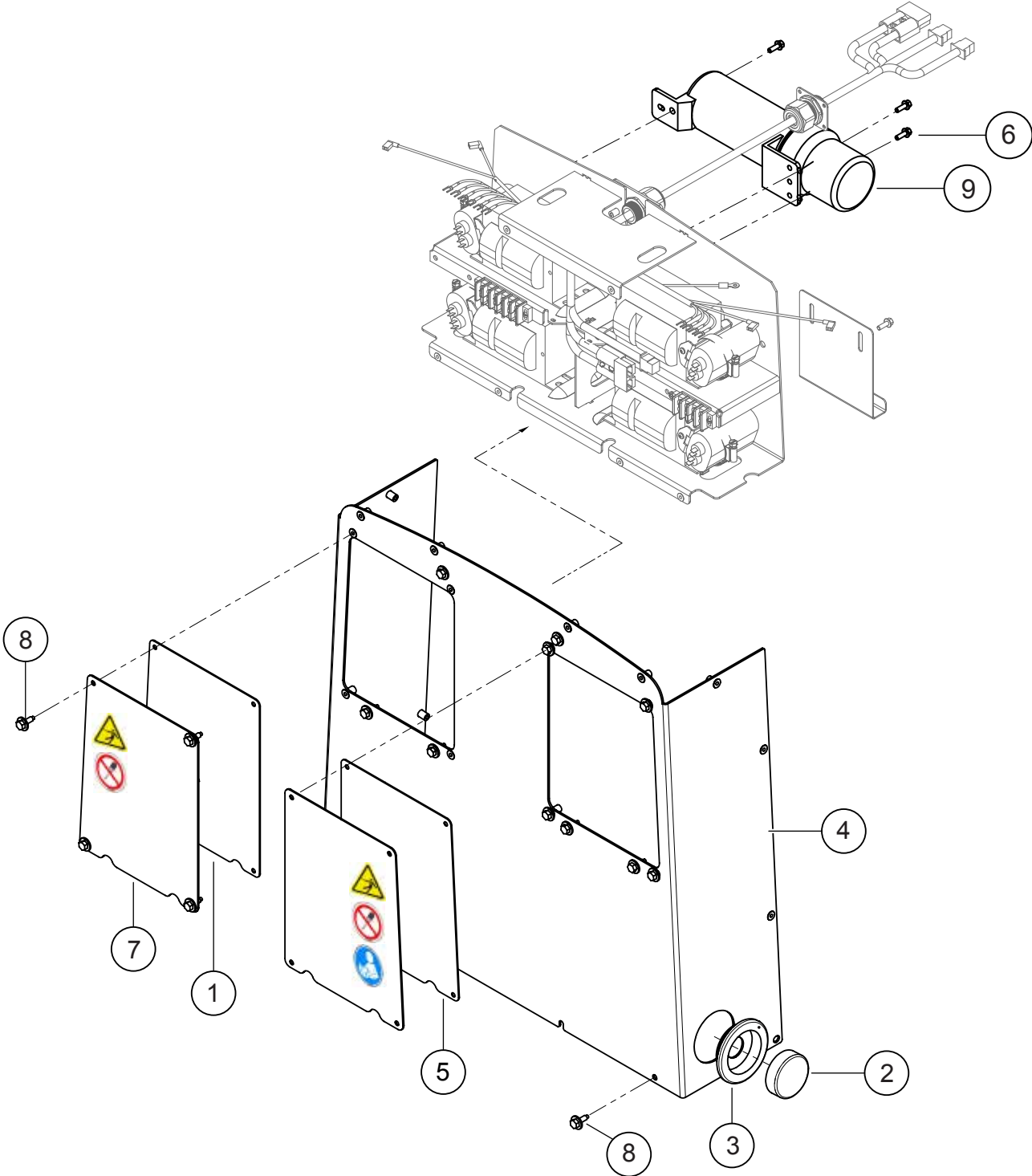
REAR PANEL ASSY.



REAR PANEL ASSY.

<u>NO.</u>	<u>PART NO.</u>	<u>PART NAME</u>	<u>QTY.</u>	<u>REMARKS</u>
1	11534	NUT, "U" TYPE, 1/4-20	4	
2	29242	LIGHT, TAIL RIGHT (CURBSIDE)	1	
3	29243	LIGHT, LEFT TAIL LIGHT (ROAD SIDE)	1	
4	34682	BRACKET, LICENSE PLATE	1	
5	34691	COVER, RADIATOR FILL ACCESS	1	
6	30119	SCREW, HHFS 1/4-20 X 7/8"	9	
7	34732	REAR PANEL ASM, W/INSERTS	1	
8	10031	WASHER, EXT. SHKP, 1/4"	4	
10	34815	GASKET, RAD FILL COVER	1.5	
11	34928	TERMINAL, .156 BULLET MALE, 22-18	4	
12	1318	TERMINAL, BULLET, FEM, 18-22	4	

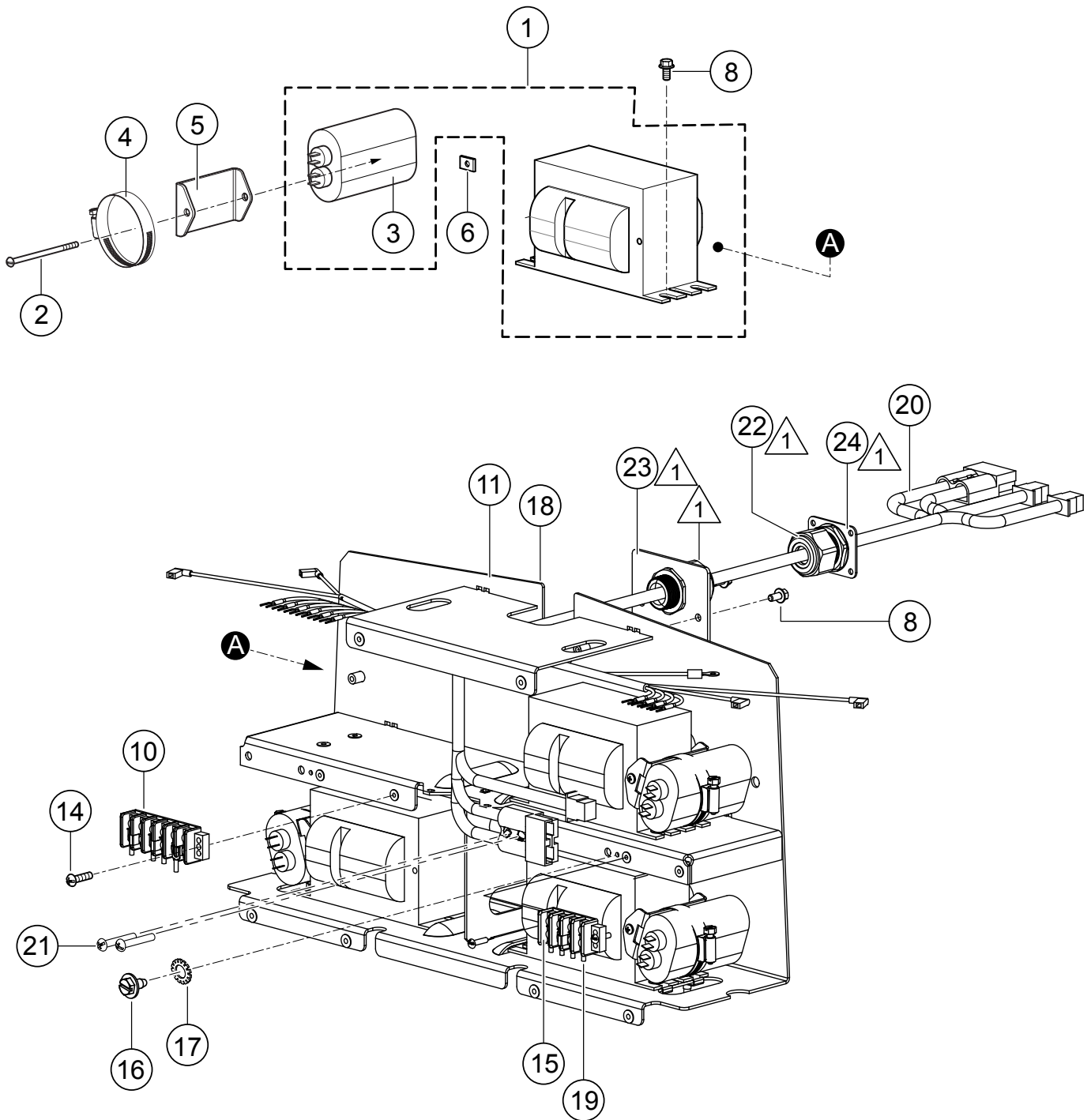
FRONT PANEL ASSY.



FRONT PANEL ASSY.

<u>NO.</u>	<u>PART NO.</u>	<u>PART NAME</u>	<u>QTY.</u>	<u>REMARKS</u>
1	34816	GASKET, BALLAST ACCESS PANEL	1	
2	29898	LIGHT, 2-1/2" SIDE MARKER, AMBER	2	
3	29900	GROMMET W/WIRE KIT, 2-1/2", 14218K	2	
4	44186	FRONT PANEL ASSEMBLY	1	
5	34818	GASKET, BALLAST COVER, LEFT	1	
6	49048	SCREW, HHFS 1/4-20 X 3/4" GR 5	3	
7	34728	PANEL, BALAST ACCESS FRONT	2	
8	30119	SCREW, 1/4-20 X 7/8"	18	
9	23297	MANUAL HOLDER	1	

BALLAST AND CAPACITOR ASSY.



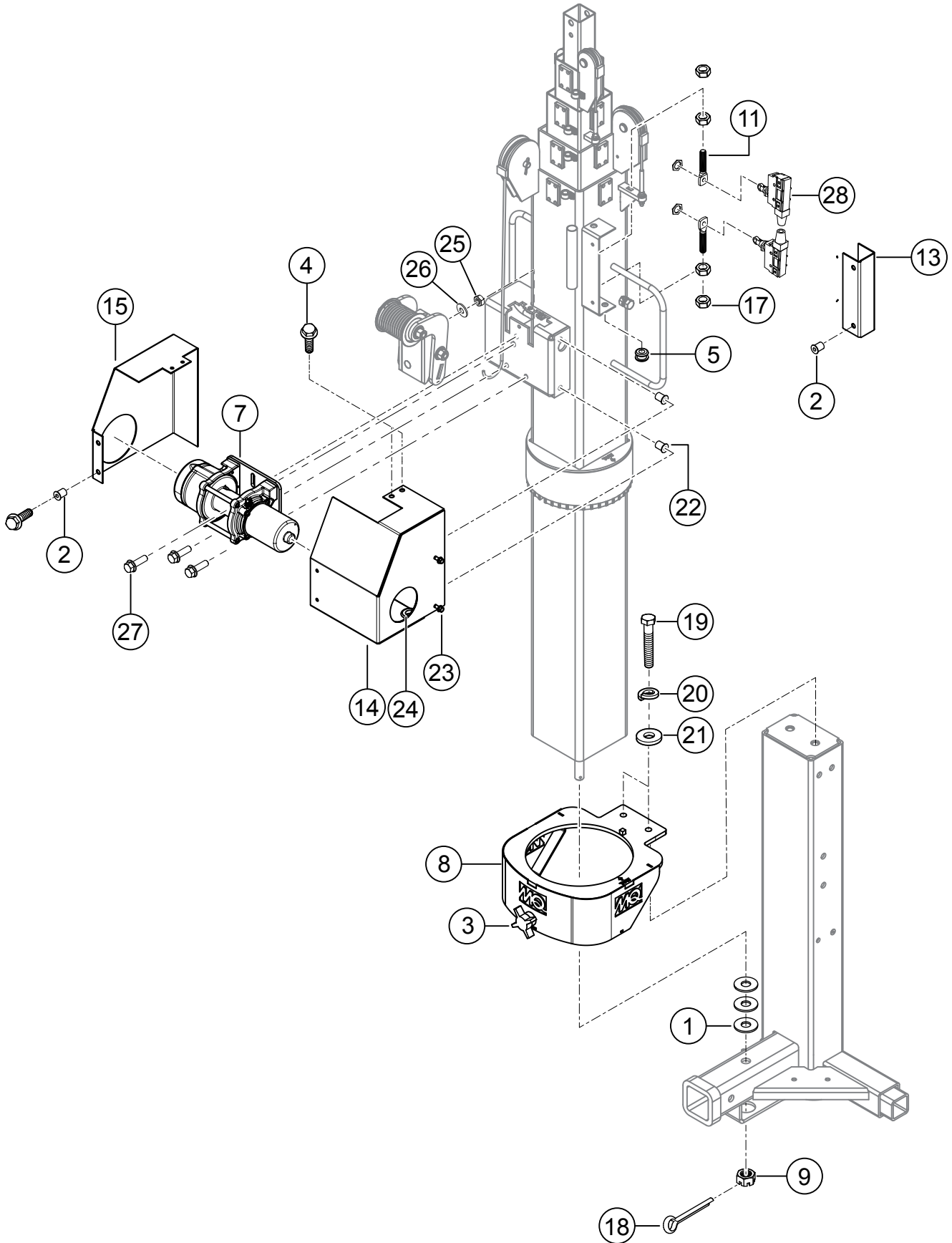
NOTES:

△ 1 INCLUDED W/ ITEM 20.

BALLAST AND CAPACITOR ASSY.

<u>NO.</u>	<u>PART NO.</u>	<u>PART NAME</u>	<u>QTY.</u>	<u>REMARKS</u>
1	19229A	TRANSFORMER ASSEMBLY, 60Hz	4.....	INCLUDES ITEM W/\$
2	34820	SCREW, PHP 10-24 X 3-1/2"	4	
3\$	19229B	CAPACITOR, 24uF	4	
4	12277	CLAMP, HOSE WORM #36	4	
5	34765	BRACKET, CAPACITOR, 60HZ	4	
6	34819	NUT, "U" TYPE, #10-24	4	
8	49048	SCREW, HHFS 1/4-20 X 3/4", GRD 5	10	
10	34915	TERMINAL BOARD, 6 GANG W/JUMPERS,	1	
11	44188	MOUNT WELDMENT	1	
14	8133	SCREW, PHP 10-32 X 3/4"	4	
15	34913	TERMINAL BOARD, 4 GANG W/JUMPER	1	
16	34305	SCREW, HHF SLOT, #10-32 X 3/8" GRN. ZN.	1	
17	10237	WASHER, EXT. SHKP, #10	1	
19	19957	TERM., FLGD SPD, 16-14 GA X #10, INSUL	8	
20	44136	HARNESS, LT6V BALLAST	1	
21	11942	SCREW, PHP, 10-32 X 1-1/4"	2	
22	44177	FITTING, STRAIN RELIEF, 1" DIA.	2	
23	44191	PLATE, BALLAST HARNESS COVER	1	
24	44194	PLATE, CONTROL BOX CORD GRIP	1	

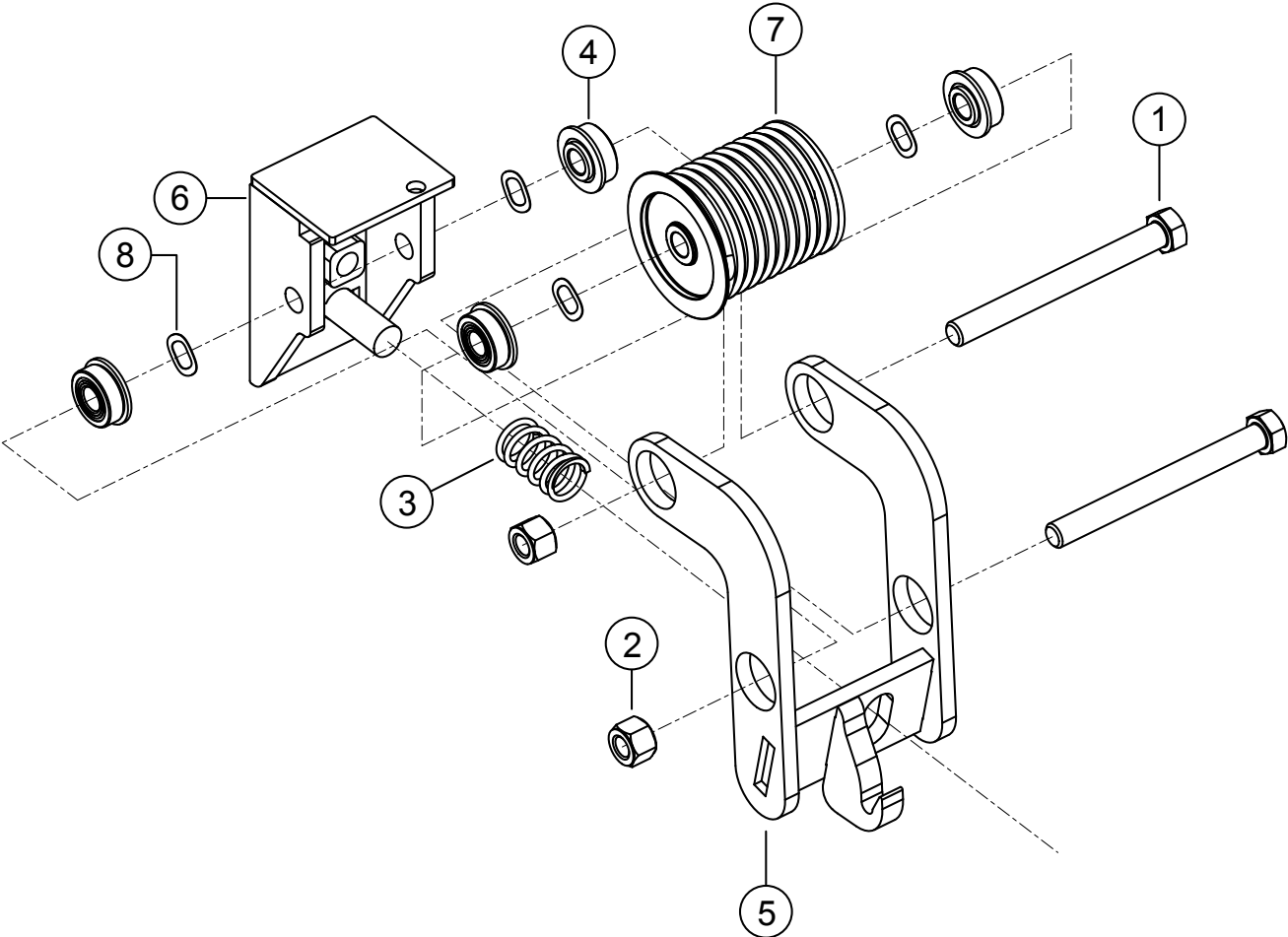
TOWER ASSY.



TOWER ASSY.

<u>NO.</u>	<u>PART NO.</u>	<u>PART NAME</u>	<u>QTY.</u>	<u>REMARKS</u>
1	5079	WASHER, FLAT 3/4 USS	3	
2	19266	NUT, BLIND 1/4-20 X .027 — .165	6	
3	44217	FOUR-ARM, 3/8-16 STUD	1	
4	34364	SCREW, HHFS 1/4-20 X 1/2", GR 5	6	
5	38664	GROMMET, 1/2 ID X 11/16" THCK 1/4" PAN.	1	
7	44025	HOIST, 800 LB. ELECTRIC	1	
8	44030	BRACKET W/A, VERTICAL SWIVEL MOUNT	1	
9	44060	NUT, 3/4-1, HEX SLOTTED	1	
11	44074	SCREW, 1/2-30 X 3.4" L HANGER	2	
13	44128	COVER, MAST LIMIT SENSOR MOUNT	1	
14	44133	GUARD, FRONT WINCH	1	
15	44134	GUARD, SIDE WINCH	1	
16	49694	NUT, BLIND 1/4-20 X .093" UP	3	
17	968011	NUT, HEX FINISH 1/2-13	4	
18	8158	PIN, COTTER 3/16 D X 1-1/2"	1	
19	3214	SCREW, HHC, 1/2-13 X 1-1/4"	2	
20	12220	WASHER, LOCK 1/2 HIGH STRENGTH	2	
21	0447	WASHER, FLAT 1/2 SAE	2	
22	29452	NUT, BLIND 1/4-20 X .165 — .260	2	
23	49048	SCREW, HHFS, 1/4-20 X 3/4" GR 5	4	
24	44232	GROMMET, 3/4" OD X 3/32	1	
25	10133	NUT, NYLOC 3/8-16	2	
26	10136	WASHER, FLAT SAE 3/8	2	
27	22106	SCREW, HHFS 3/8-16 X 1.25" ZINC	3	
28	44233	SWITCH, LIMIT, RAISE/LOWER	2	

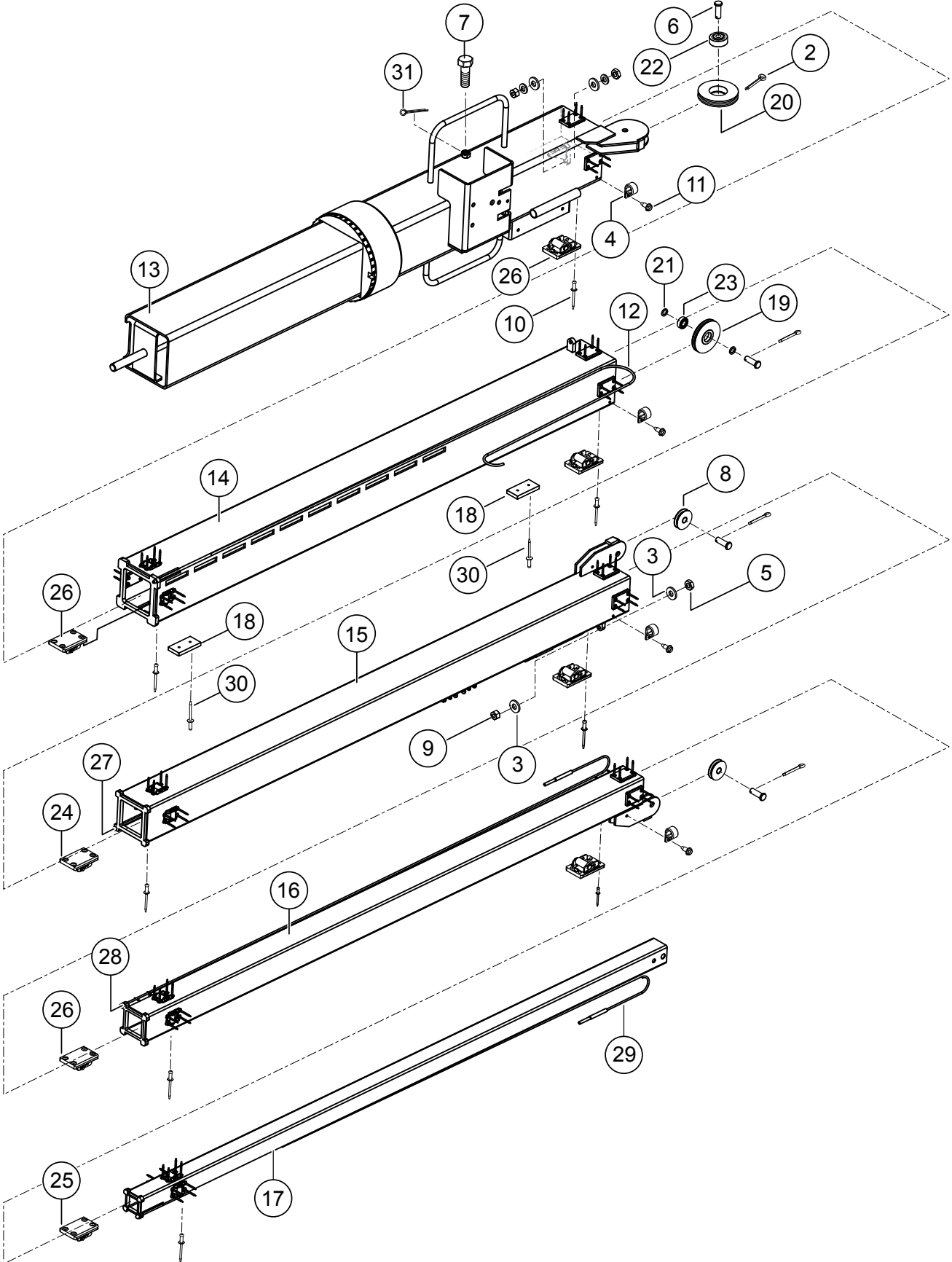
MAST CATCH ASSY.



MAST CATCH ASSY.

<u>NO.</u>	<u>PART NO.</u>	<u>PART NAME</u>	<u>QTY.</u>	<u>REMARKS</u>
1	1570	SCREW, HHC 3/8-16 X 3.75"	2	
2	10133	NUT, NYLOC 3/8-16	2	
3	44100	SPRING, MAST CATCH	1	
4	44101	BEARING, MAST CATCH FLANGE	4	
5	44102	CATCH, MAST	1	
6	44124	MAST CATCH MOUNT	1	
7	44156	PULLEY, VERT. MAST IDLER GUIDE	1	
8	44206	SPRING, IDLER PULLEY TAKE UP WAVE	4	

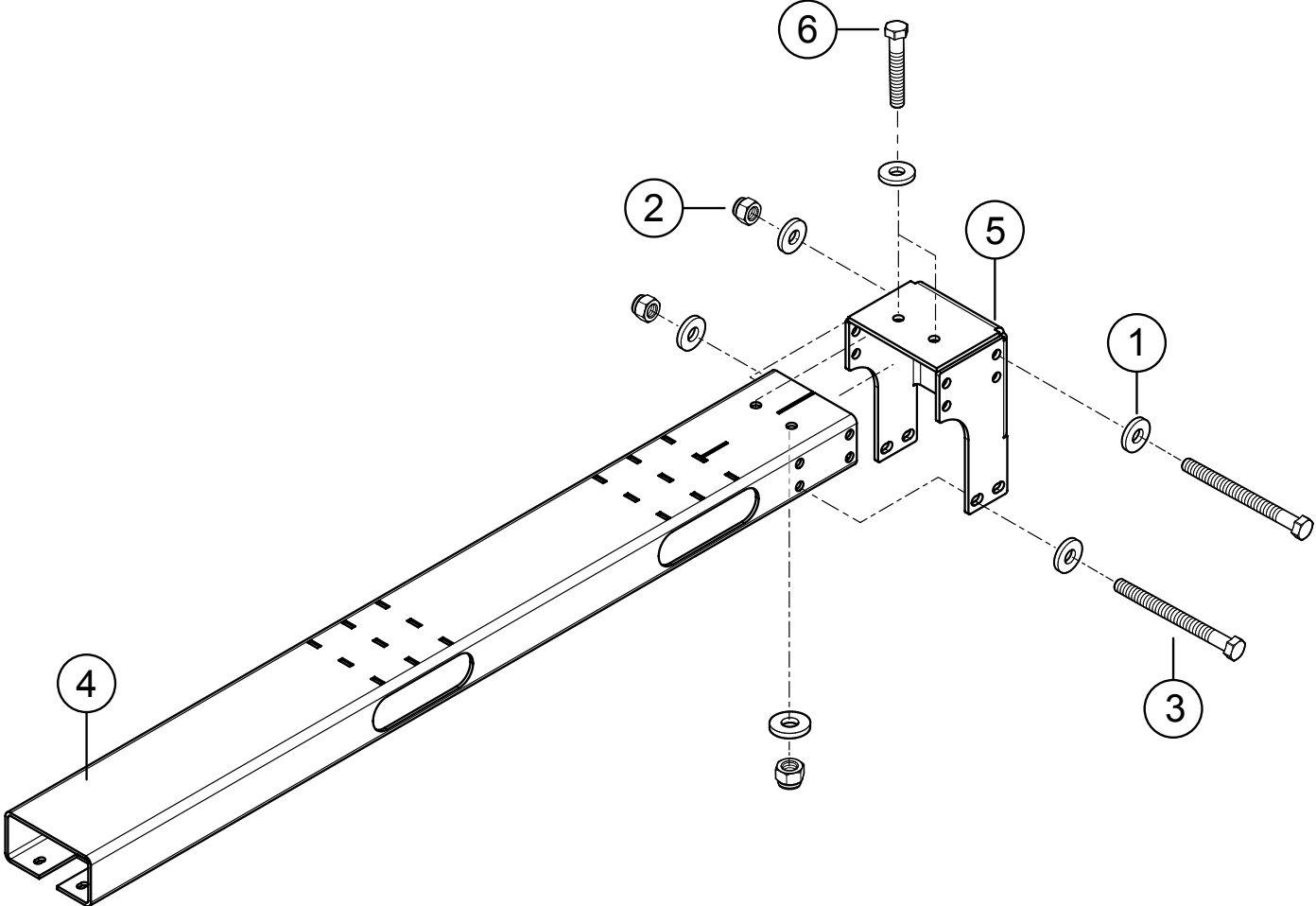
MAST ASSY.



MAST ASSY.

<u>NO.</u>	<u>PART NO.</u>	<u>PART NAME</u>	<u>QTY.</u>	<u>REMARKS</u>
2	0183	PIN, COTTER 1/8D X 1-1/4"	4	
3	0300 B	WASHER, FLAT SAE 1/4"	6	
4	11505	CLAMP, VINYL LOOP, 1/2" X .406	4	
5	0106	NUT, HEX JAM 5/16-18	3	
6	19974	PIN, CLEVIS 1/2 X 1.25"	4	
7	29075	SCREW, HHC 1/2-13 X 1"	2	
8	29155	SHEAVE, 2.00 OD X 0.500 ID	2	
9	5283	NUT, NYLOC 5/16-18	3	
10	44230	RIVET, STRUC. BLIND, 3/16 SS	64	
11	34310	SCREW, HHF, 1/4 - 20 X 3/8"	4	
12	34796	CABLE, 3/16 X 176"	1	
13	44007	MAST, VERT. BASE UNIT	1	
14	44010	MAST, OUTER MID VERTICAL	1	
15	44014	TUBE, MIDDLE VERTICAL MAST	1	
16	44017	TUBE, INNER MID VERTICAL MAST	1	
17	44021	TUBE, TOP SECTION VERTICAL MAST	1	
18	44196	GUIDE, MAGNETIC SWITCH	2	
19	44085	SHEAVE, MAST BASE	1	
20	44086	PULLEY, VERT. BASE	1	
21	44087	SHIM, 1/2 X 3/4 X .093 STEEL	2	
22	44097	BEARING, LOWER MAST PULLEY	1	
23	44098	BEARING, MID LOWER MAST PULLEY	1	
24	44143	ROLLER ASSY., VERT. MAST MAX CL.	4	
25	44146	ROLLER ASSSY., VERT MAST MID CL.	4	
26	44147	ROLLER ASM, VERT MAST MIN CL.	24	
27	44150	WIRE ROPE ASSY., VERT. MAST MID/LWR	1	
28	44150	WIRE ROPE ASSY., VERT. MAST MID/LWR	1	
29	44151	WIRE ROPE ASSY., VERT. MAST TOP	1	
30	44192	RIVET, BLIND, CSNK, 3/16 X .251-.575	68	
31	6014 B	PIN, COTTER 3/32D X 1.00"	2	

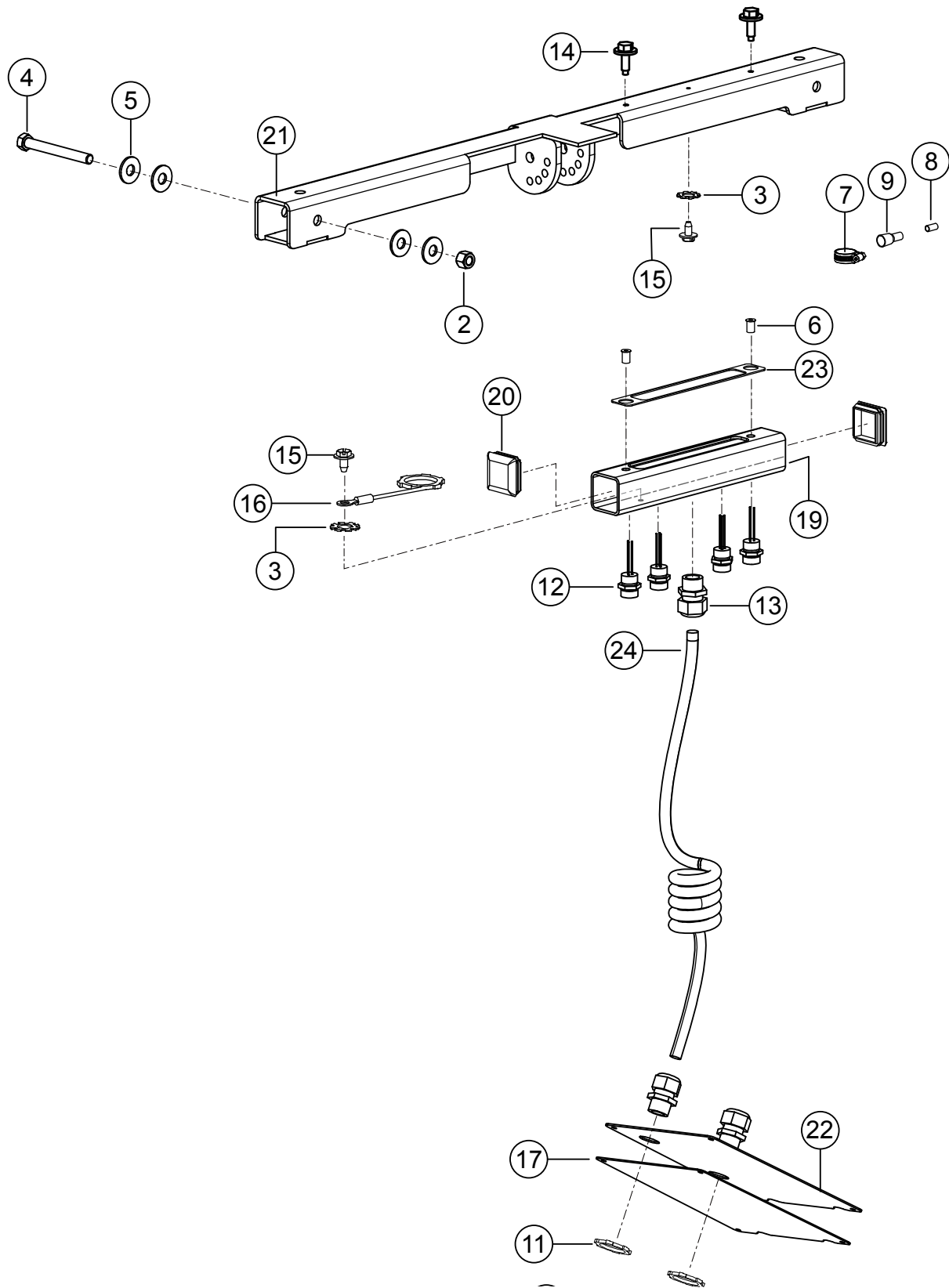
LIFTING BALE ASSY.



LIFTING BALE ASSY.

<u>NO.</u>	<u>PART NO.</u>	<u>PART NAME</u>	<u>QTY.</u>	<u>REMARKS</u>
1	0447	WASHER, FLAT 1/2 SAE	16	
2	10176	NUT, NYLOC 1/2-13	8	
3	26501	SCREW, HHC 1/2-13 X 8"	6	
4	44067	LIFTING BALE	1	
5	44105	CAP, LIFTING BALE FRONT	1	
6	915221	SCREW, HHC 1/2-13 X 4-1/2"	2	

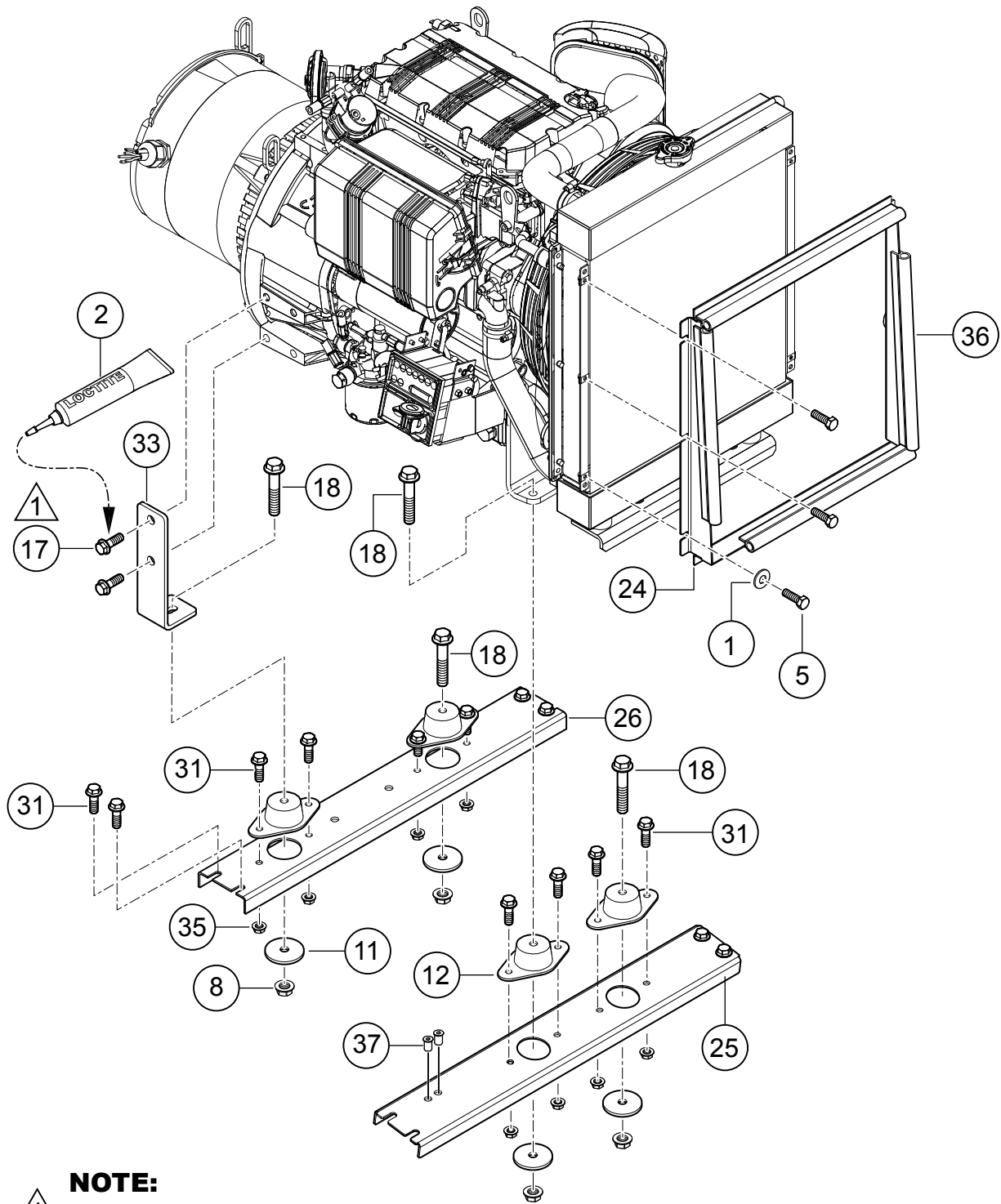
T-BAR ASSY.



T-BAR ASSY.

<u>NO.</u>	<u>PART NO.</u>	<u>PART NAME</u>	<u>QTY.</u>	<u>REMARKS</u>
2	10176	NUT, NYLOC 1/2-13	2	
3	10237	WASHER, EXT. SHKP, #10	2	
4	10306	SCREW, HHC 1/2-13 X 4-1/2"	2	
5	13211	WASHER, FLAT 1/2 USS	8	
6	19266	NUT, BLIND 1/4-20 X .027 — .165	2	
7	19473	CLAMP, HOSE WORM # 2, 1/4" TO 5/8"	2	
8	19687	CRIMP, SLEEVE	3	
9	19688	INSULATOR, SPLICE CAP	3	
11	26560	NUT, LOCKING 3/4 NPT CONDUIT	3	
12	29168	RECEPTACLE, FEMALE	4	
13	29655	CORD GRIP, LIQUID TIGHT, 3/4 NPT	3	
14	30119	SCREW, 1/4-20X7/8 IND HEX	2	
15	34305	SCREW, HHF SLOT, #10-32 X 3/8"	2	
16	34368	WIRE, GROUND JUMPER	2	
17	34818	GASKET, BALLAST COVER, LEFT	1	
19	44051	TUBE, ELECTRICAL ENCLOSURE	1	
20	44052	CAP, 2.00 SQ X 1.25 W/TUBE	2	
21	44063	T-BAR	1	
22	44193	PANEL, BALAST ACCESS FRONT	1	
23	44201	GASKET, TBAR ELEC. ACCESS COVER	1	
24	49030	COIL CORD, 600V, 7 WIRE	1	

ENGINE MOUNTING

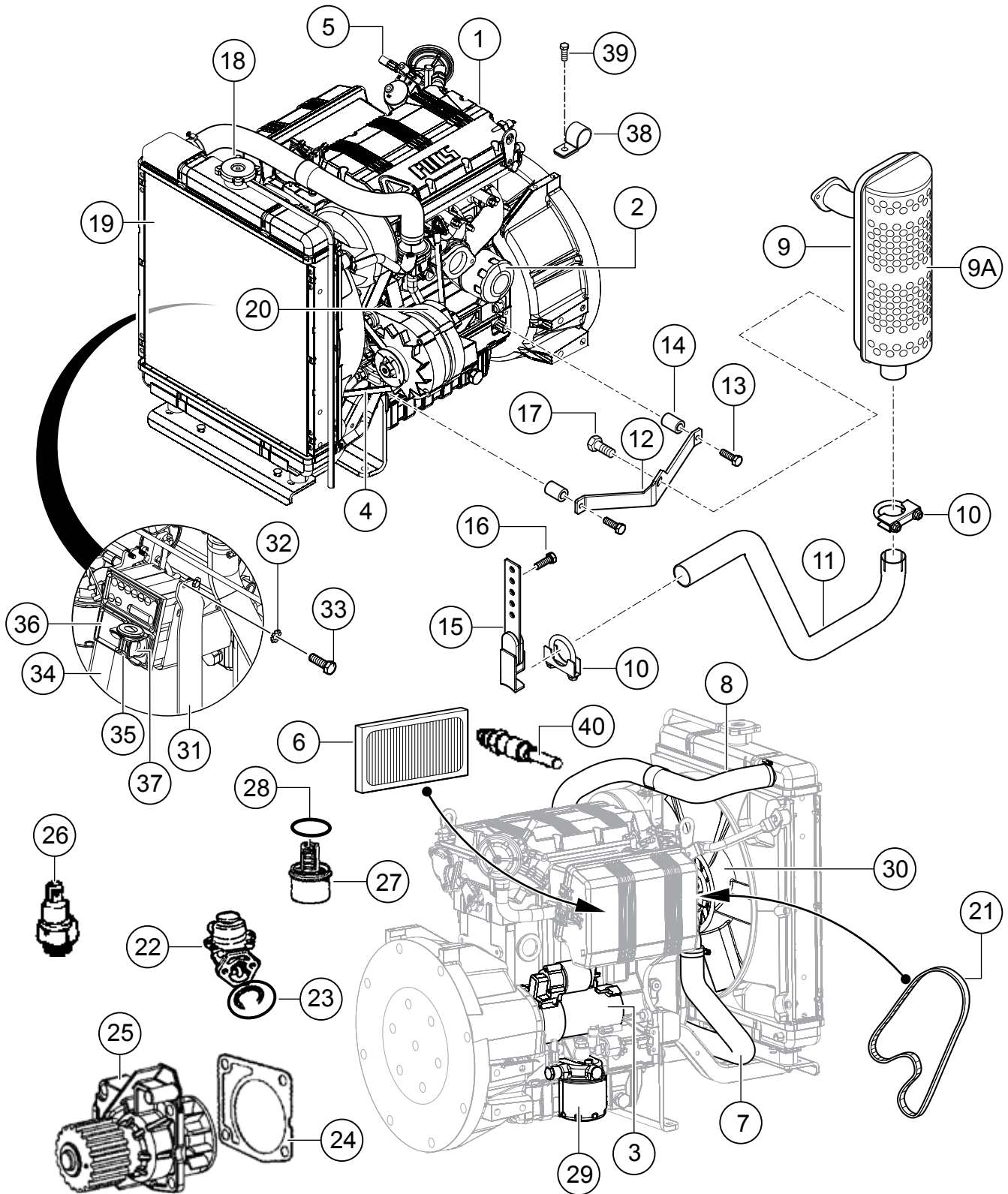


NOTE:
⚠️ APPLY LOCTITE # 271 RED

ENGINE MOUNTING

<u>NO.</u>	<u>PART NO.</u>	<u>PART NAME</u>	<u>QTY.</u>	<u>REMARKS</u>
1	0948	WASHER, FLAT SAE 1/4"	6	
2	19379-014	LOCTITE #271 RED	AR	
5	12464	SCREW, HHC M6-1.0 X 16MM	6	
8	21781	NUT, FLANGED 3/8-16 SERRATED PLTD	4	
11	29043-001	WHEEL, POINTER .41 ID X 2.00 OD	4	
12	29269	MOUNT, VIBRATORY ENGINE	4	
17	34317	SCREW, HHFS M12-1.75 X 20MM	4	
18	34318	SCREW, HHFS 3/8-16 X 2-1/4"	4	
24	34685	SHROUD, RADIATOR	1	
25	34688	CROSSMEMBER, FRONT	1	
26	34689	CROSSMEMBER, REAR	1	
31	36720	SCREW, HHFS 5/16-18 X 3/4" GRD 5	16	
33	49003	MOUNT, REAR ENGINE	2	
35	49071	NUT, FLANGED 5/16-18 SERRATED PLTD	8	
36	60124	GASKET, SPONGE BULB.....	5.....	1PC = 1FT
37	19266	NUT, BLIND 1/4-20 x .027 — .165	4	

ENGINE AND COMPONENTS



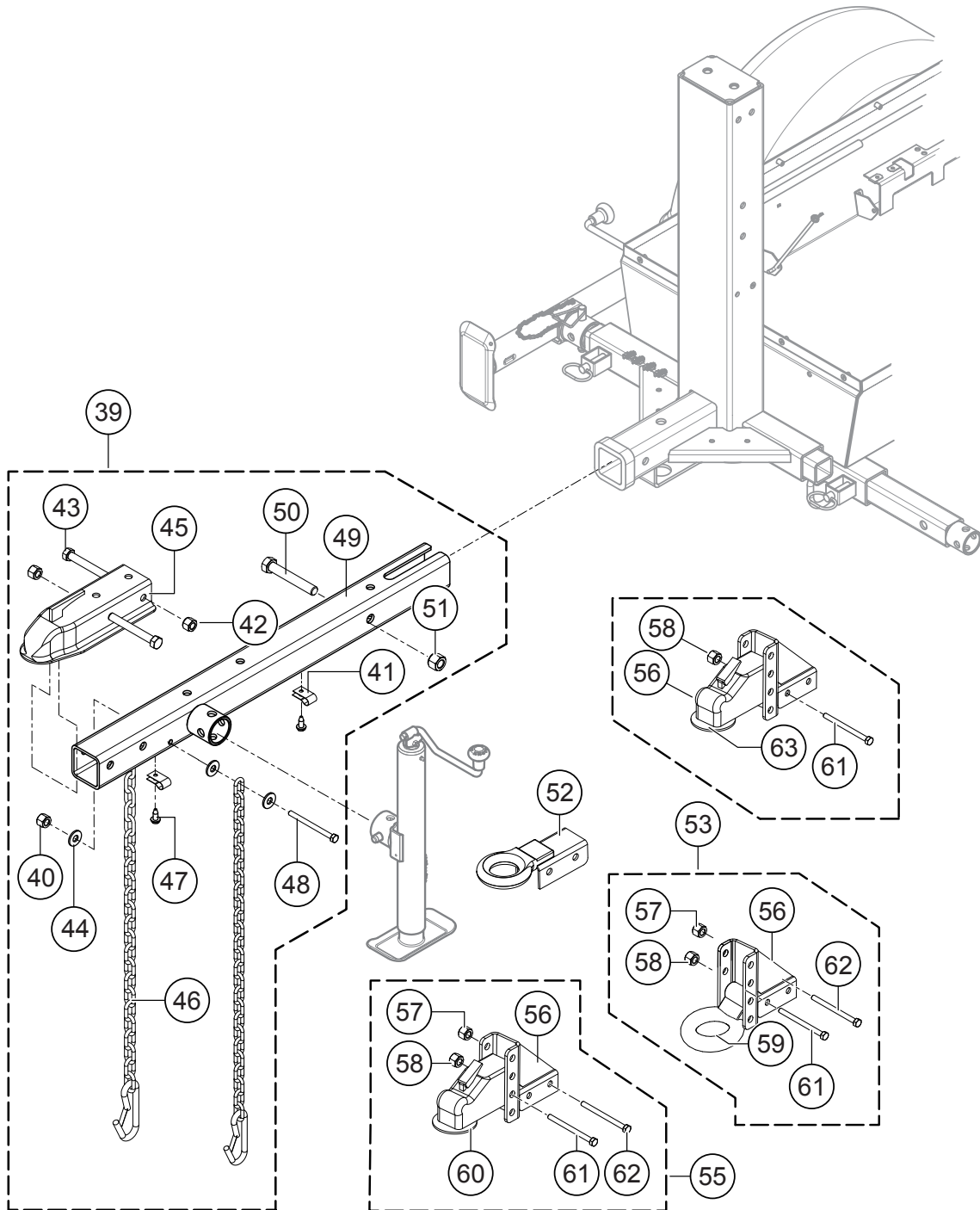
ENGINE AND COMPONENTS

<u>NO.</u>	<u>PART NO.</u>	<u>PART NAME</u>	<u>QTY.</u>	<u>REMARKS</u>
1	29644	ENGINE, KOHLER KDW1003	1	
2	ED0021752830S	OIL FILTER	1	
3	5840224	STARTER ASSEMBLY.	1	REPLACES P/N ED0058402240S
4	ED0024403200S	FAN BELT 835 MM	1	
5	19761	TERMINAL, SPLICE 16-14	1	
6	ED0021751640S	CARTRIDGE, AIR FILTER	1	
7	5401195	HOSE, RADIATOR, LOWER.....	1	REPLACES P/N ED0054011950S
8	12850649	HOSE, RADIATOR, UPPER	1	REPLACES P/N ED0054011940S
9	5460450	MUFFLER	1	
9A	6927172	GUARD, MUFFLER	1	
10	10855	CLAMP, 1-1/2" MUFFLER	2	
11	34215	TAIL PIPE EXTENSION	1	
12	29937	BRACE, LOWER MUFFLER	1	
13	23792	SCREW, HHFS M8-1.25 X 30 MM	2	
14	29938	SPACER, MUFFLER BRACKET	2	
15	34335	HANGER, EXHAUST	1	
16	49048	SCREW, HHFS 1/4-20 X 3/4" GRD 5	2	
17	2299	BOLT, M8-1.25 X 16 MM	1	
18	ED0090002390S	RADIATOR CAP	1	
19	ED0073503220S	RADIATOR	1	
20	ED0011573910S	ALTERNATOR	1	
21	ED0024403380S	TIMING BELT	1	
22	ED0065851510S	PUMP, FUEL FEED	1	
23	1200087	O-RING, FEED PUMP	1	
24	4580215	GASKET, WATER PUMP	1	
25	6584438	WATER PUMP	1	
26	6745056	OIL PRESSURE SWITCH	1	
27	9195124	THERMOSTAT	1	
28	12850153	O-RING, THERMOSTAT	1	
29	ED0021752880S	FUEL FILTER	1	
30	ED0097183240S	COOLING FAN	1	
31	34814	MOUNT, RIGHT ENG. CONTROL BOX	1	
32	10237	WASHER, EXT. SHKP, #10	4	
33	34823	SCREW, HHC M5-.8 X 12 MM, 8.8 DIN	4	
34	34813	MOUNT, LEFT ENG. CONTROL BOX	1	
35	ED34001S	KEY, IGNITION, DOUBLE SIDED	1	
36	ED0072454650S	CONTROL PANEL	1	
37	ED0050412980S	IGNITION SWITCH	1	
38	8125	CLAMP, HOSE SUPPORT 5/8"	1	
39	22021	SCREW, HEX M8-1.25 X 20 MM GRD10.9	1	
40	2100089	GLOW PLUG	3	

TUB/TRAILER ASSY.

<u>NO.</u>	<u>PART NO.</u>	<u>PART NAME</u>	<u>QTY.</u>	<u>REMARKS</u>
1	0166 A	WASHER, LOCK, 3/8 MED.	1	
2	0479	WASHER, EXT. SHKP, 3/8 PLTD	1	
3	1319	TERMINAL, RING 16-14 1/4" LOOP	1	
4	1876	NUT, HEX JAM 3/8-16	1	
5	2540	CONNECTOR, BUTT SPLICE, 16-14	1	
6	8126	CLAMP, HOSE 1/2" LOOP X .25 HOLE	1	
7	10136	WASHER, FLAT SAE 3/8	1	
9	10930	WASHER, FENDER, 1/4 X 1-1/4	4	
10	16185	FITTING, PLUG 1/4" MP SQ HD	1	
11	19045	WHEEL/TIRE ST175/80-13 L.R. C	2	
12	19266	NUT, BLIND 1/4-20 X .027-.165	2	
13	19761	TERMINAL, SPLICE 16-14	4	
14	21906	SCREW, HHFS 5/16-18 X 1-1/2" GR 5	1	
15	22106	SCREW, HHFS 3/8-16 x 1.25" ZINC	1	
16	23976	MOUNTING BASE, ADHESIVE TIE WRAP	2	
17	29248	SCREW, HHC 9/16-18 X 3", AXLE MOUNT	2	
18	29249	NUT, 9/16-18	2	
19	29452	NUT, BLIND 1/4-20 X .165-.260	4	
20	34015	AXLE, SPRING ASSEMBLY	1	
21	34093	JACK, 2000#, 10" TOP WIND, TUBE MOUNT	4	
22	34101	COVER, ACCESS PANEL	1	
23	34197	OUTRIGGER	2	
24	34213	BACKING BAR, ACCESS PANEL	1	
25	34310	SCREW, HHF, 1/4 - 20 x 3/8	1	
26	34378	GASKET, ACCESS COVER	1	
27	34604	HARNESS, 25' 4 FLAT TRAILER END	1	
28	34640	WASHER, SEALING, 5/16 X 3/4	1	
29	34720	FENDER	2	
30	34736	OUTRIGGER W/A, REAR	1	
33	35358	NUT, PANEL, U-TYPE, 5/16-18 X .05/.20	8	
34	44034	TUB/FRAME W/A	1	
36	49048	SCREW, HHFS 1/4-20 X 3/4" GRD 5	8	
37	60221	LOOM, .375 SPLIT	5.....	1PC = 1 FT
38	W29109	NUT, WING 3/8-16	1	
39	29184	NUT, LUG 1/2-20	10	

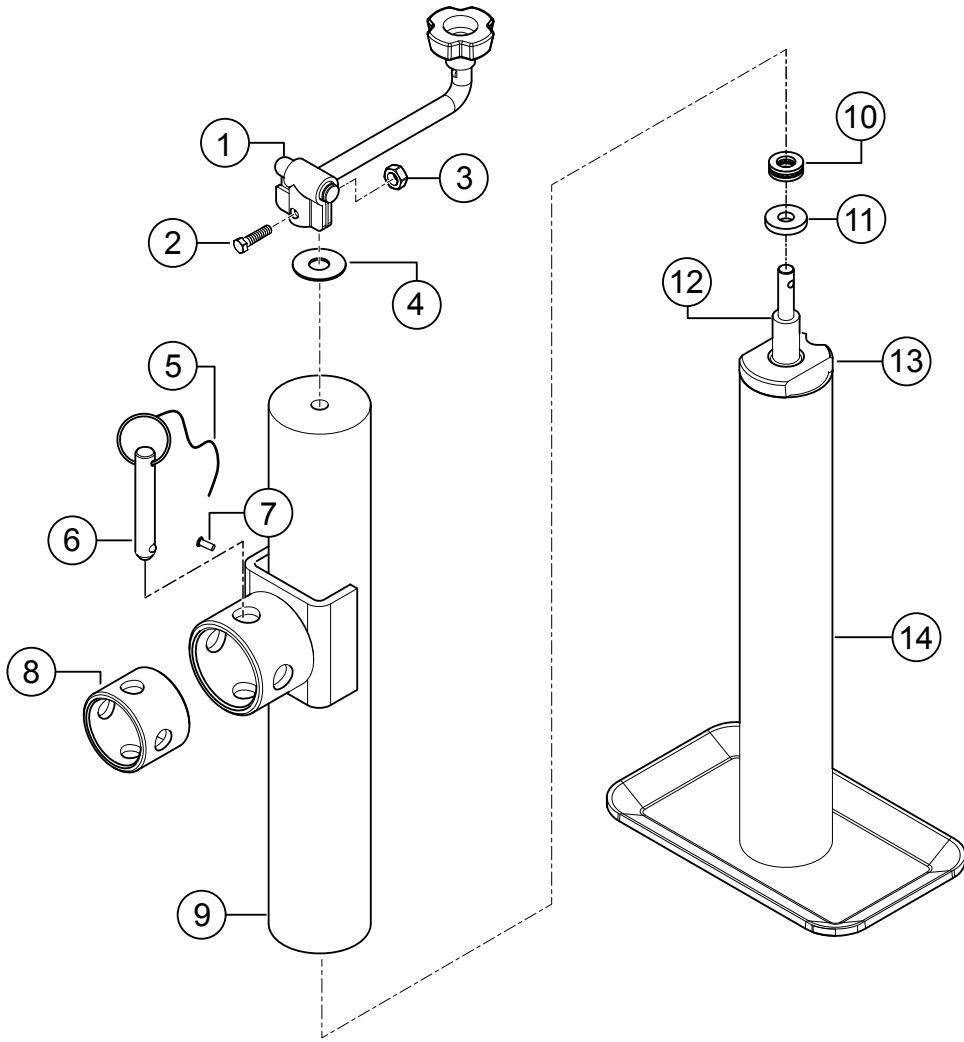
TONGUE ASSY.



TONGUE ASSY.

<u>NO.</u>	<u>PART NO.</u>	<u>PART NAME</u>	<u>QTY.</u>	<u>REMARKS</u>
39	44210	TONGUE ASSEMBLY	1.....	INCLUDES ITEMS W/\$
40\$	5283	NUT, NYLOC 5/16-18	1	
41\$	8126	CLAMP, HOSE 1/2" LOOP X .25" HOLE	2	
42\$	10176	NUT, NYLOC 1/2-13	2	
43\$	16521	SCREW, HHC 1/2-13 X 4" GRD 8	2	
44\$	19470	WASHER, FLAT 5/16" USS	4	
45\$	29546	COUPLER, 2" BALL 2.50" TUBE	1	
46\$	34005	CHAIN, SAFETY	2	
47\$	34310	SCREW, HHF, 1/4-20 X 3/8"	2	
48\$	34370	SCREW, HHC 5/16-18 X 4.0" GRD 8	1	
49\$	44211	HITCH TUBE	1	
50\$	915319	SCREW, HHC 5/8-11 X 4" GRD 8	1	
51\$	9503	NUT, NYLOC 5/8-11	1	
52	29791	HITCH, PINTLE FIXED (OPTION)	1	
53	29721	HITCH, PINTLE KIT, ADJ. HGT. (OPTION).....	1.....	INCLUDES ITEMS W/@
54	29720	HITCH BALL, 2" ADJ. HEIGHT (OPTION).....	1.....	INCLUDES ITEMS W/%
55	34812	HITCH BALL KIT, 2-5/16" ADJ. HGT (OPTION) 1.....	1.....	INCLUDES ITEMS W/#
56@#%	29718	COUPLER ADAPTER	1	
57@#	10176	NUT, NYLOC 1/2-13	2	
58@#%	9503	NUT, NYLOC 5/8-11	2	
59@	29369	PINTLE EYE, ADJUSTABLE	1	
60#	34811	COUPLER, 2-5/16" BALL, ADJUSTABLE	1	
61@#	915218	SCREW, HHC 1/2-13 X 3-3/4" GRD 8	2	
62@#%	9502	SCREW, HHC 5/8-11 X 4-1/2" GRD 8	2	
63%	29228	COUPLER, 2" BALL, ADJUSTABLE	1	

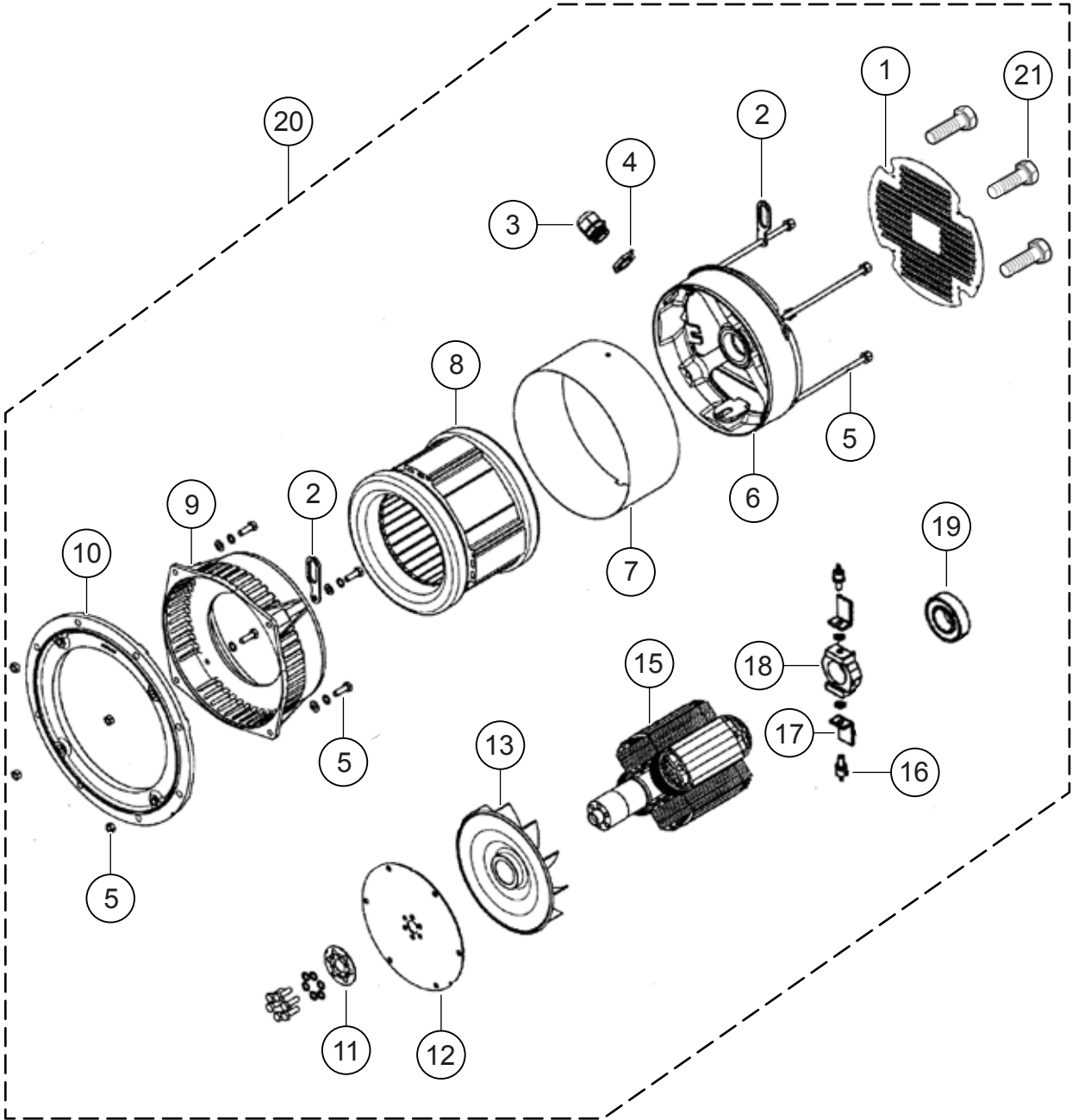
JACK STAND ASSY.



JACK STAND ASSY.

<u>NO.</u>	<u>PART NO.</u>	<u>PART NAME</u>	<u>QTY.</u>	<u>REMARKS</u>
1	345109-01	HANDLE ASSEMBLY	1	
2	345109-02	BOLT M6X28	1	
3	345109-03	LOCK NUT M6	1	
4	345109-04	WASHER	1	
5	345109-05	CHAIN	1	
6	345109-06	PIN	1	
7	345109-07	CHAIN RIVET	1	
8	345109-08	MALE MOUNT TUBE	1	
9	345109-09	OUTER TUBE ASSEMBLY	1	
10	345109-10	BEARING	1	
11	345109-11	HEATED WASHER	1	
12	345109-12	THREAD	1	
13	345109-13	MAIN NUT	1	
14	345109-14	INNER TUBE	1	

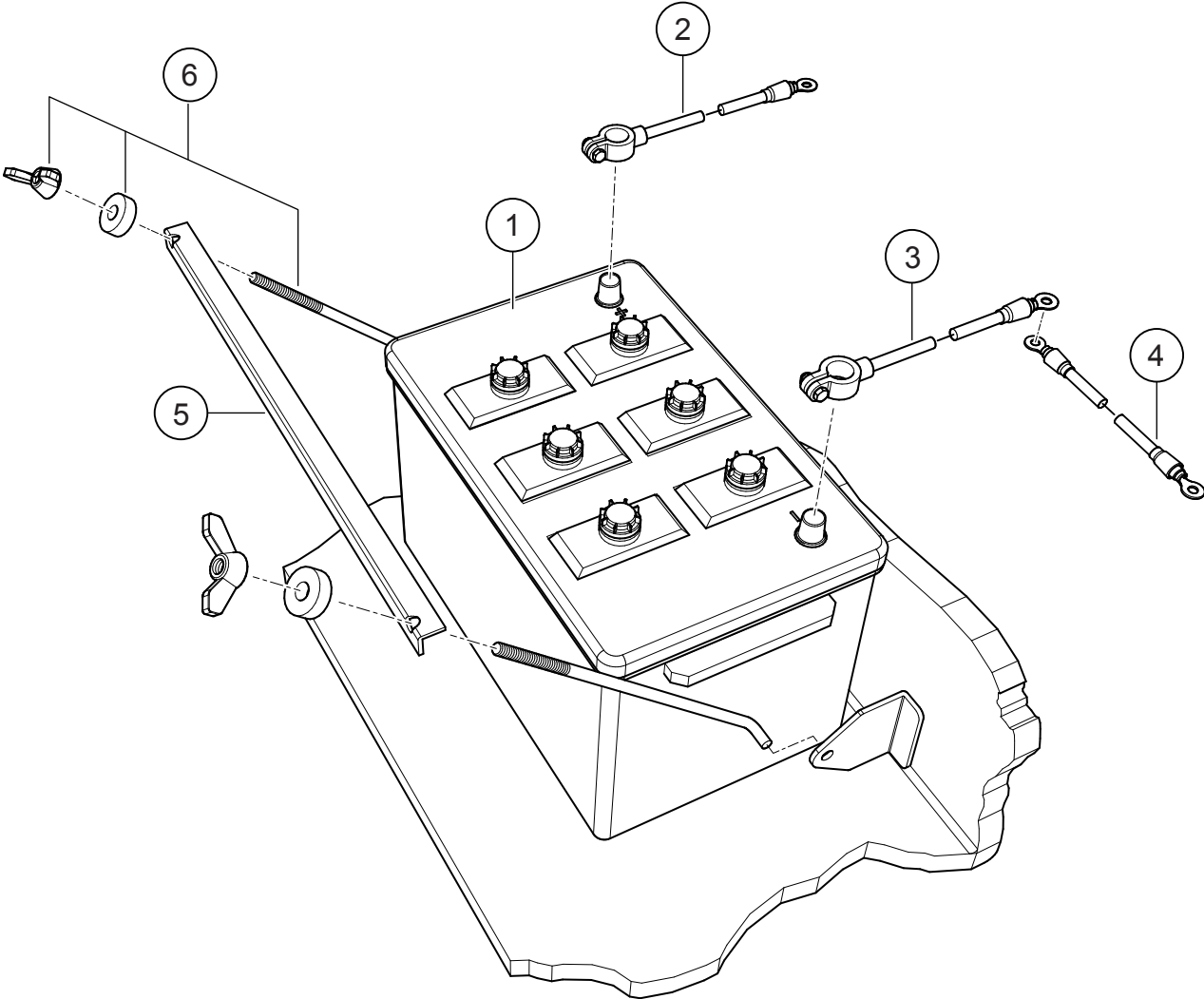
GENERATOR ASSY.



GENERATOR ASSY.

<u>NO.</u>	<u>PART NO.</u>	<u>PART NAME</u>	<u>QTY.</u>	<u>REMARKS</u>
1%	9903905068	REAR SEAL	1	
2%	9903905069	LIFTING HOOK	2	
3%	9909510155	PG21 CABLE GLAND	1	
4%	9909510195	PG21 NUT	1	
5%	GELT3100ROD	COVER STAY BOLT AND NUT	4	
6%	6102204175	NON-DRIVE END BRACKET	1	
7%	GELT3ENCBAND	ENCLOSING BAND	1	
8%	GELT3100STATOR60	WOUND STATOR AND FRAME	1	
9%	6102208192	DRIVE END BRACKET	1	
10%	6102208193	INTERCHANGEABLE FLANGE	1	
11%	6110611508	RING SPACER	1	
12%	GEECO3DISC65	FLEXIBLE DISC	1	
13%	7502223039	FAN	1	
15%	GELT3100ROTOR60	ROTOR ASSY	1	
16%	9910359005	DIODES	2	
17%	7501001015	HEAT SINK, ROTATING DIODE BRIDGE	2	
18%	9909527011	SUPPORT, ROTATING DIODE BRIDGE	1	
19%	9900905055	REAR BEARING 6205-2RS	1	
20	29895	GENERATOR	1	INCLUDES ITEMS W/%
21%	29895SCREW	COVER SCREWS, SET OF 3	1	

BATTERY ASSY.

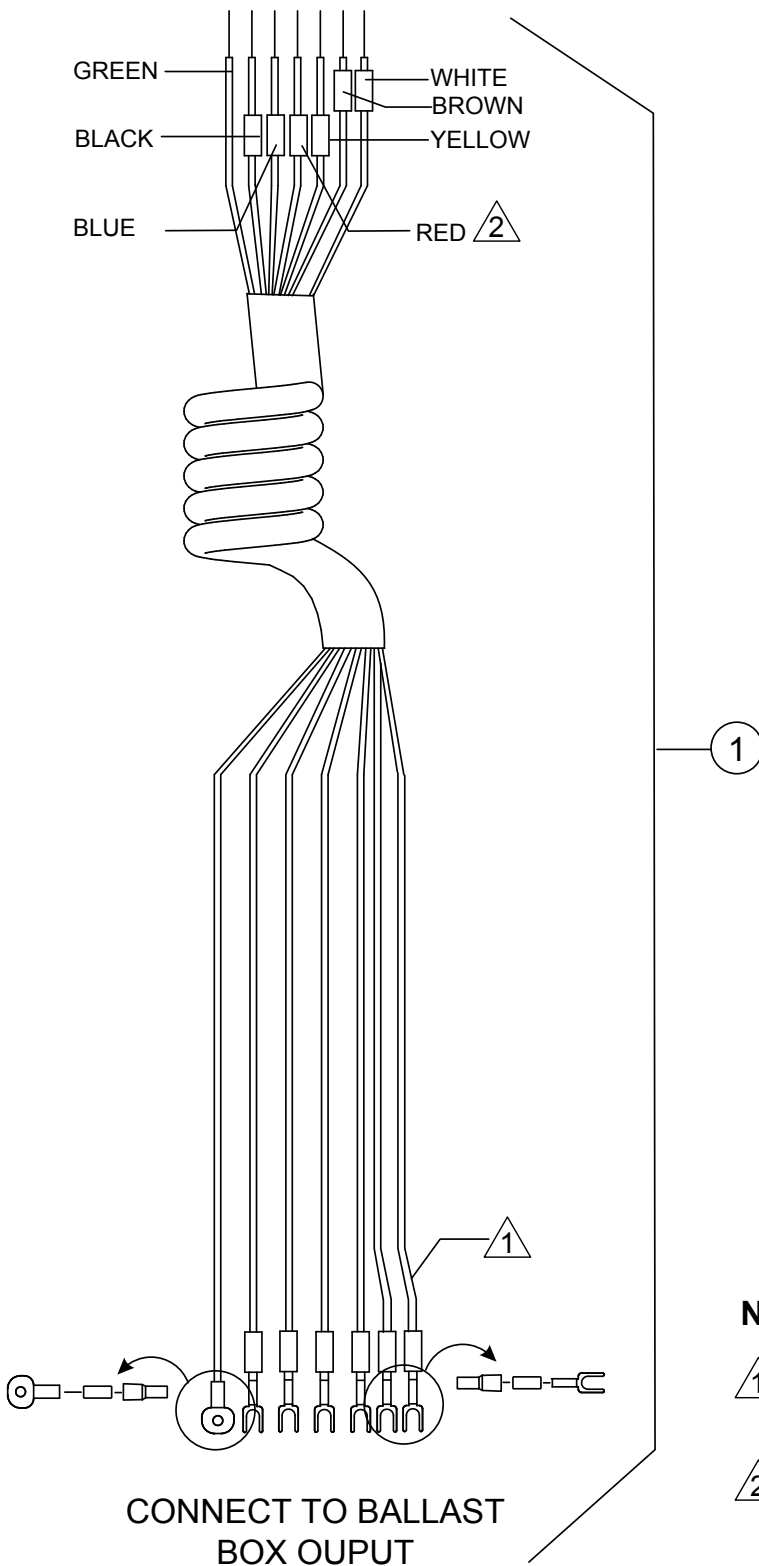


BATTERY ASSY.

<u>NO.</u>	<u>PART NO.</u>	<u>PART NAME</u>	<u>QTY.</u>	<u>REMARKS</u>
1	10315	BATTERY, 12V GROUP 24 WET	1	
2	34393	CABLE, BATTERY POS 4GA X 48" POST	1	
3	34392	CABLE, BATTERY NEG 6GA X 20" POST	1	
4	34394	CABLE, BATTERY CHASSIS GROUND	1	
5	34759	BATTERY HOLD DOWN	1	
6	34900	BOLT-J, W/HARDWARE	2	

COIL CORD ASSY.

CONNECT TO T-BAR ASSEMBLY



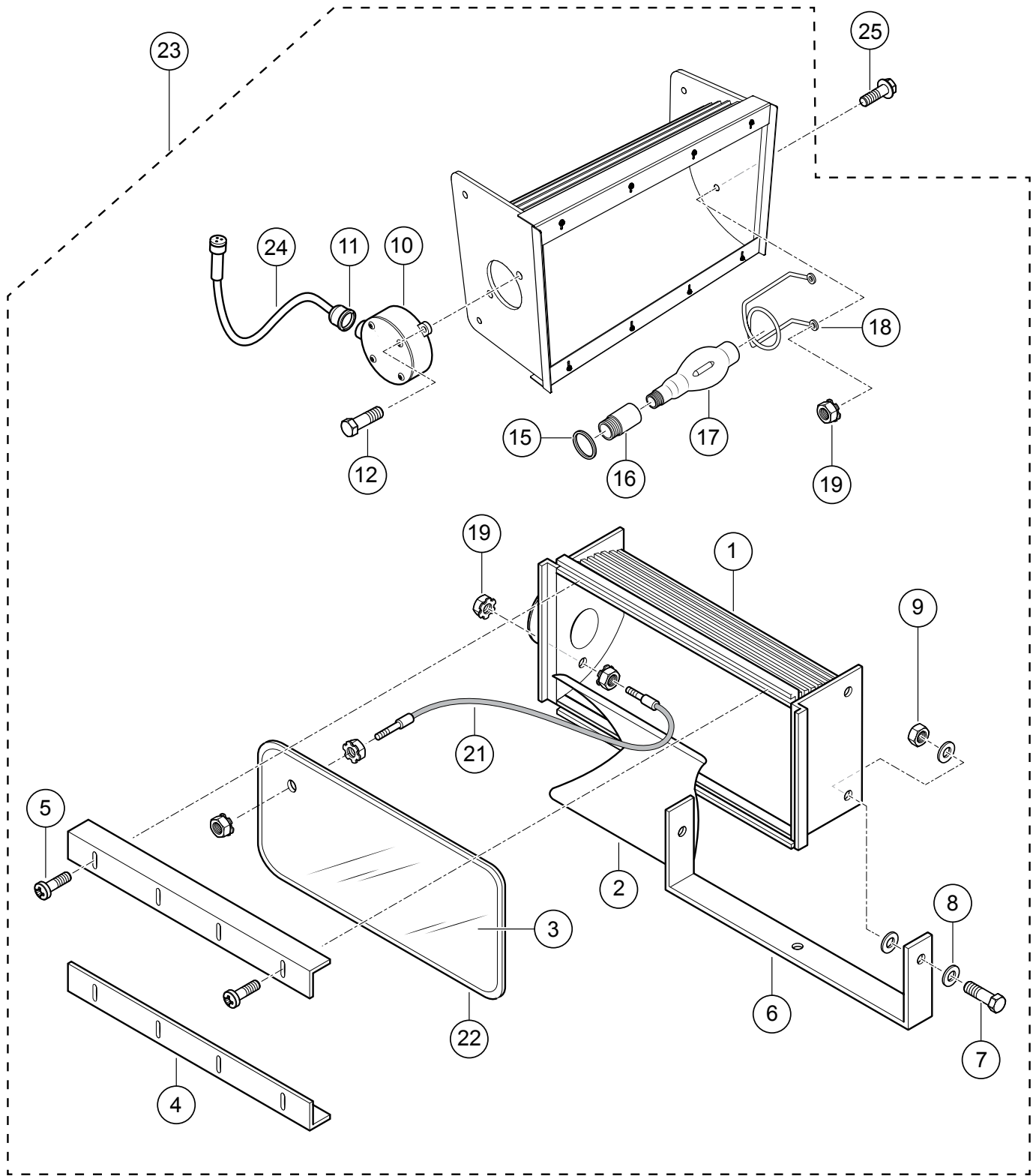
NOTES:

- ① CONNECT THIS END OF COIL CORD ASSY. TO BALLAST BOX. REFERENCE ELECTRICAL SCHEMATIC DIAGRAM IN OPERATION MANUAL.
- ② CONNECT THIS END OF COIL CORD ASSY. TO T-BAR ASSY. REFERENCE ELECTRICAL SCHEMATIC DIAGRAM IN OPERATION MANUAL.

COIL CORD ASSY.

<u>NO.</u>	<u>PART NO.</u>	<u>PART NAME</u>	<u>QTY.</u>	<u>REMARKS</u>
1	34880	COIL CORD ASSEMBLY	1.....	INCLUDES ITEMS W/#

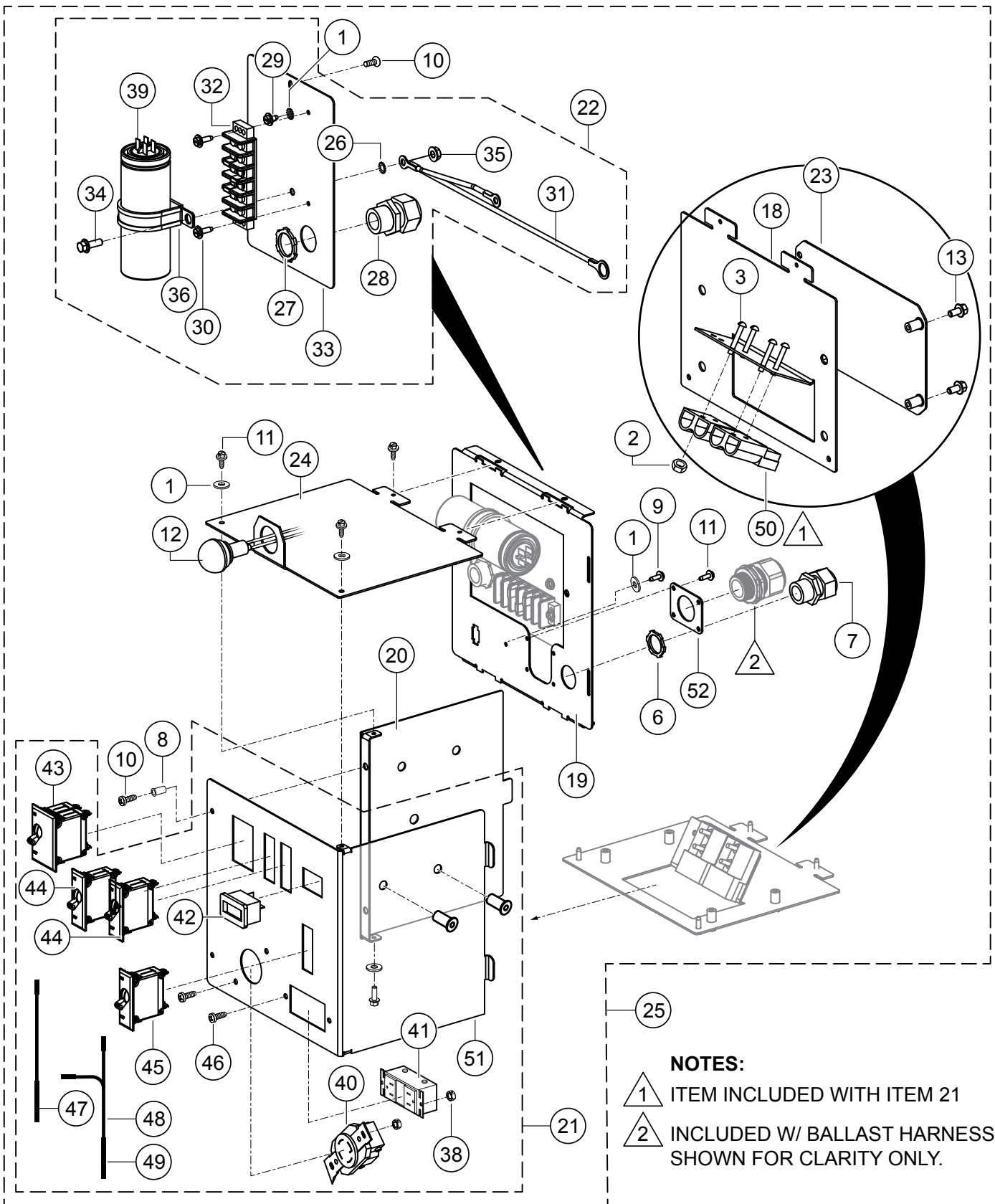
LAMP ASSY.



LAMP ASSY.

<u>NO.</u>	<u>PART NO.</u>	<u>PART NAME</u>	<u>QTY.</u>	<u>REMARKS</u>
1%	20S-REF-1	REF1000 BODY ASSEMBLY	1	
2%	30M-REF-REF	REFLECTOR, ALUMINUM	1	
3%	190ZQREF	REF 1000 LENS	1	
4%	170M-REF-5	REF LENS HOLD DOWN	2	
5%	70Z-FSCR3	SCREW 8-32 X 1/2"	8	
6%	250-REF-6	YOKE, LIGHT FIXTURE	1	
7%	260Z-FSCR9	BOLT, HEX HEAD 1/2-13 X 1-1/2"	2	
8%	280Z-FWFL2	WASHER, FLAT 1/2"	4	
9%	270Z-FNT4	NUT, HEX 1/2-13	2	
10%	Z-C-239	VAPORTITE OCTAGON BOX 1/2" W/4 THREADED PLUGS G9 SILVER	1	
11%	150Z-FSR3	STRAIN RELIEF SRW 1/2" BLACK	1	
12%	Z-FSCR9	BOLT, HEX HD,1/2-13 X 1-1/2" ZN PLT.	2	
15%	90Z-G-102	GASKET, HEX #5 OR #6	1	
16%	70Z-SK65	SOCKET, MOGUL W/GASKET	1	
17%	MVR1000BT37	BULB, LIGHT FIXTURE	1	
18%	50Z-D-REF-SUP	SUPPORT, REF1000 LAMP TIP	1	
19%	230Z-FNTL6-1	KEEPER NUT #8-32	6	
21%	210S-CBL-6	CABLE ASSEMBLY	1	
22%	200ZG106	GASKET, U-CHANNEL REFLECTOR	1	
23	29773	LIGHT FIXTURE ASSEMBLY.....	1	INCLUDES ITEMS W/%
24%	150Z-EZ67	POWER CORD, 60" W/ 3-PIN MALE PLUG	1	
25	4106781000	SCREW, 8-32 X 3/8"	2	

CONTROL PANEL ASSY.

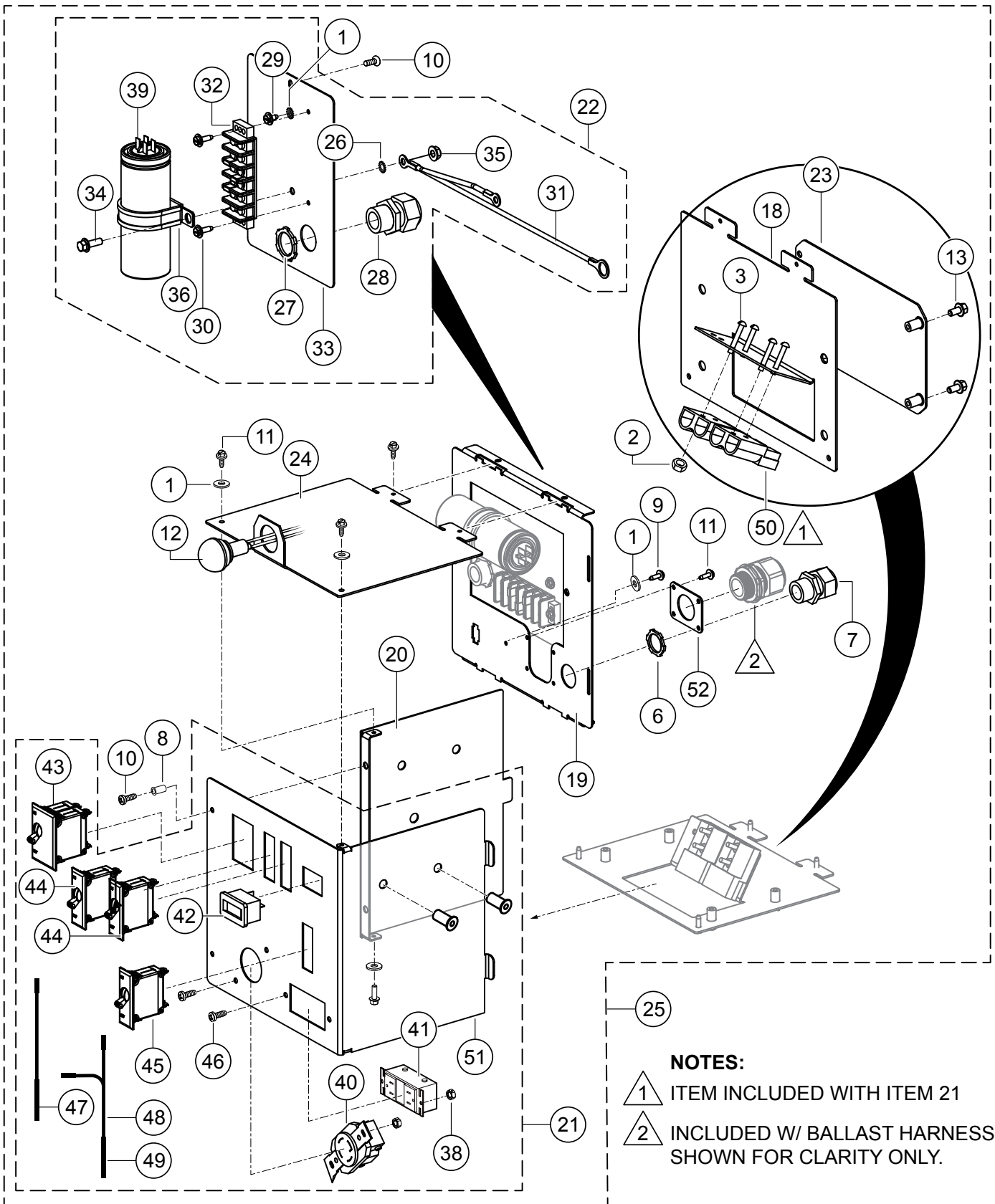


- NOTES:**
- ▲ 1 ITEM INCLUDED WITH ITEM 21
 - ▲ 2 INCLUDED W/ BALLAST HARNESS. SHOWN FOR CLARITY ONLY.

CONTROL PANEL ASSY.

<u>NO.</u>	<u>PART NO.</u>	<u>PART NAME</u>	<u>QTY.</u>	<u>REMARKS</u>
1@	10237	WASHER, EXT. SHKP, #10	9	
2@	10019	NUT, NYLOC 6-32	4	
3@	11942	SCREW, PHP 10-32 X 1-1/4"	4	
4@	19266	NUT, BLIND 1/4-20 X .027-.165	4	
5@	2574	GROMMET, 5/16" ID 7/16"OD 1/16	1	
6@	26560	NUT, LOCKING 3/4 NPT CONDUIT	1	
7@	29655	CORDGRIP, LIQUID TIGHT, 3/4 NPT	1	
8@	29797	NUT, BLIND 10-32 X .020-.130	4	
9@	34305	SCREW, HHF SLOT, #10-32 x 3/8"	1	
10@	34306	SCREW, PHP, #10-32x5/8"	4	
11@	34309	SCREW, HHF SLOT, #10-32 x 3/8	12	
12@	34347	LAMP, COMPACT COURTESY, 2 WIRE	1	
13@	34364	SCREW, HHFS 1/4-20 X 1/2, GR 5	4	
18@	44219	PANEL, CNTRL. BOX BOTTOM	1	
19@	44168	PANEL, CNTRL. BOX REAR	1	
20@	44218	PANEL, CNTRL. BOX LEFT PANEL	1	
21@	44171	CNTRL BOX MAIN PANEL ASSY.	1	INCLUDES ITEMS W/#
22@	44173	PANEL ASSY., CNTRL. BOX REAR ACCESS...	1	INCLUDES ITEMS W/\$
23@	44174	PANEL, CNTRL. BOX BTM ACCESS COVER ..	1	
24@	44200	PANEL, CONTROL BOX TOP	1	
25	44166	CNTRL BOX ASSEMBLY	1	INCLUDES ITEMS W/@
26@\$	10031	WASHER, EXT. SHKP, 1/4	1	
27@\$	26560	NUT, LOCKING 3/4 NPT CONDUIT	1	
28@\$	29655	CORDGRIP, LIQUID TIGHT, 3/4 NPT	1	
29@\$	34305	SCREW, HHF SLOT, #10-32 x 3/8"	1	
30@\$	34308	SCREW, HHF SLOT, #10-32 x 5/8	2	
31@\$	44202	WIRE, PANEL GROUND	1	
32@\$	34914	T.B. W/JUMPERS, 6 GANG, CNTRLS	1	
33@\$	44172	PANEL, CNTRL BOX REAR ACCESS	1	
34@\$	49048	SCREW, HHFS 1/4-20 x 3/4 GR 5	1	
35@\$	49070	NUT, FLANGED 1/4-20 SERRATED PLTD	1	
36@\$	59005	CLAMP, LOOP 2.0" X .53 HOLE	1	
38@#	10019	NUT, NYLOC 10-32	8	
39@\$	59006	EXCITATION CAPACITOR	1	

CONTROL PANEL ASSY. (CONTINUED)



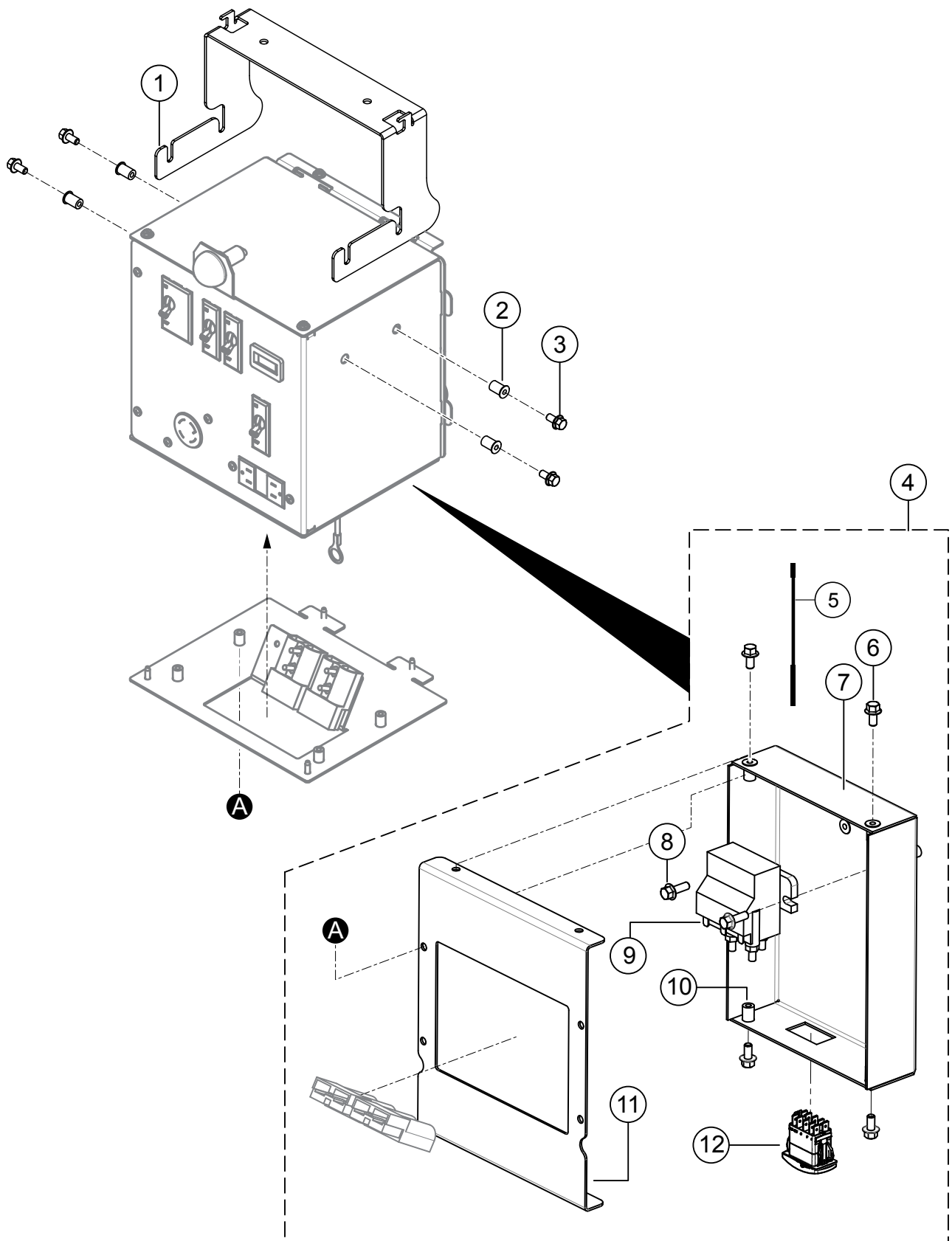
NOTES:

- △ 1 ITEM INCLUDED WITH ITEM 21
- △ 2 INCLUDED W/ BALLAST HARNESS. SHOWN FOR CLARITY ONLY.

CONTROL PANEL ASSY. (CONTINUED)

<u>NO.</u>	<u>PART NO.</u>	<u>PART NAME</u>	<u>QTY.</u>	<u>REMARKS</u>
40@#	29276	RECEPTACLE, 4PRG LOCKING, NEMA L-14-30R	1	
41@#	34963	RECEPTACLE, GFCI DUPLEX, 15A, UL/CSA	1	
42@#	29640	HOUR METER, SENDEC RECT FLUSH MOUNT	1	
43@#	34096	CIRCUIT BREAKER, 30A UL489, 2 POLE SNAP FIT	1	
44@#	34097	CIRCUIT BREAKER, 20A, UL 489 SNAP FIT	2	
45@#	34098	CIRCUIT BREAKER, 15A UL 489 SNAP FIT	1	
46@#	34306	SCREW, PHP, #10-32x5/8"	4	
47@#	34829	WIRE, LT6 GFCI LINE	1	
48@#	34929	HARNESS, 220 OUTLET "Y" 10 GA	1	
49@#	34930	HARNESS, 220 OUTLET "X" 10 GA	1	
50@#	44162	CONNECTOR, 2 POLE	2	
51@#	44170	PANEL, LT6K CONTROL BOX BOTTOM	1	
52@	44194	PLATE, CONTROL BOX XORD GRIP-MOUNT	1	

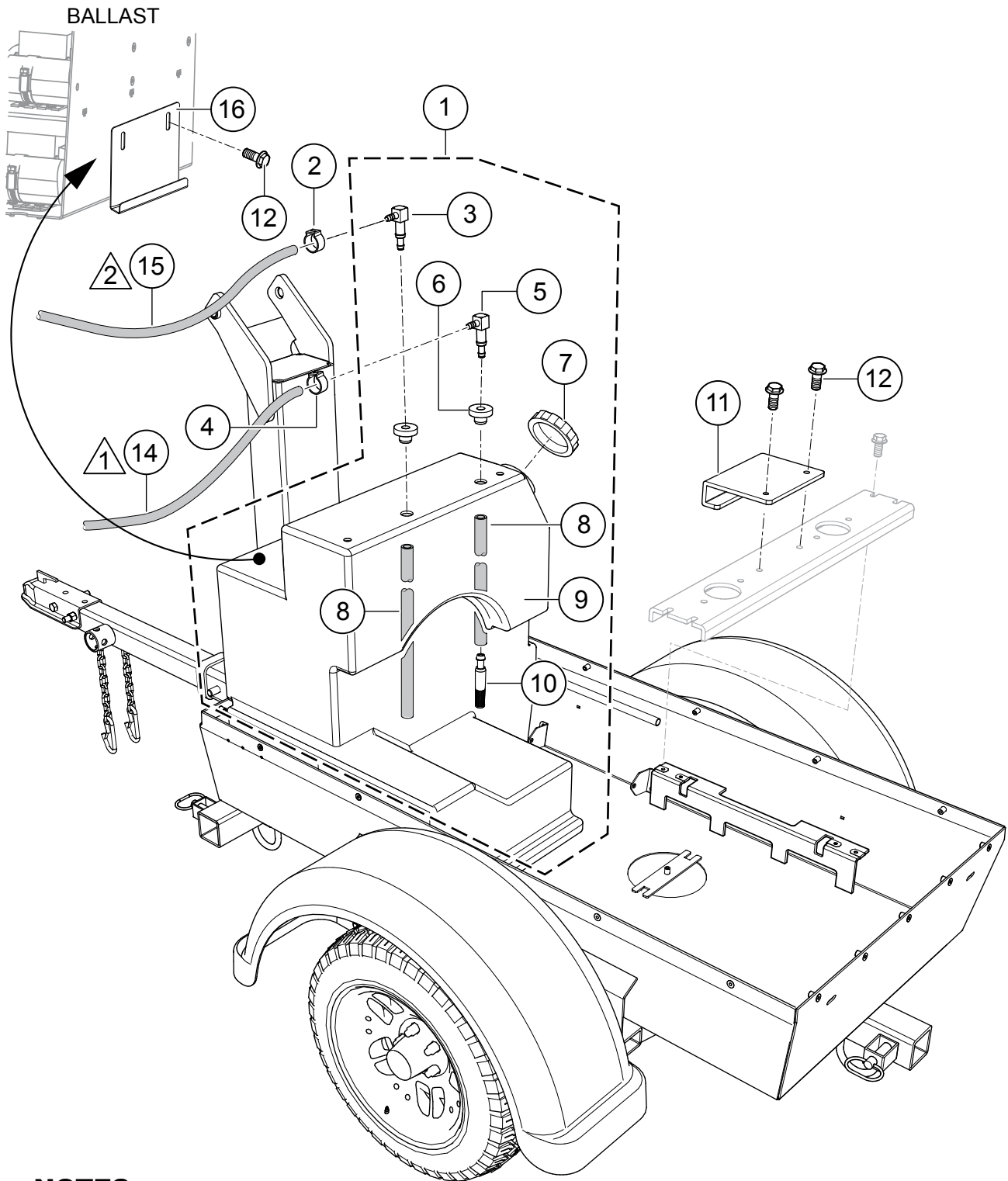
CONTROL PANEL ASSY.



CONTROL PANEL ASSY.

<u>NO.</u>	<u>PART NO.</u>	<u>PART NAME</u>	<u>QTY.</u>	<u>REMARKS</u>
1	34758	BRACKET, CONTROL BOX MOUNTING	1	
2	19266	NUT, BLIND 1/4-20 X .027-.165	4	
3	34364	SCREW, HHFS 1/4-20 X 1/2" GR 5	4	
4	44175	WINCH CONTROL BOX ASSEMBLY	1.....	INCLUDES ITEMS W/\$
5\$	44138	HARNESS	1	
6\$	34364	SCREW, HHFS 1/4-20 X 1/2" GR5	4	
7\$	44165	BOTTOM, WINCH CONTROL BOX	1	
8\$	49048	SCREW, HHFS 1/4-20 x 3/4" GR 5	2	
9\$	44031	CONTACTOR, 12V 60A WINCH	1	
10\$	19266	NUT, BLIND 1/4-20 X .027-.165	6	
11\$	44164	COVER, WINCH CONTROL BOX TOP	1	
12\$	21470	SWITCH, ROCKER	1	

FUEL TANK, HOSES AND MOUNTING ASSY.



NOTES:

- △ 1 CONNECTS TO FUEL PUMP **SUCTION SIDE**
- △ 2 CONNECTS TO **FUEL RETURN**

FUEL TANK, HOSES AND MOUNTING ASSY.

<u>NO.</u>	<u>PART NO.</u>	<u>PART NAME</u>	<u>QTY.</u>	<u>REMARKS</u>
1	34767	FUEL TANK ASSY.....	1.....	INCLUDES ITEMS W/\$
2	22066	CLAMP, STEPLESS EAR 3/16" HOSE	2	
3\$	12007	FITTING, 90° 4SBARB X 6-4SBARB	1	
4	22067	CLAMP, STEPLESS EAR 1/4" HOSE	2	
5\$	12006	FITTING, 90° 3MBARB X 6-4SBARB	1	
6\$	19633	BUSHING, RUBBER FUEL	2	
7\$	29694	CAP, FUEL W/LANYARD, KELCH 3-1/2"	1	
8\$	60058	HOSE, .25 YELLOW PVC, 30" L.....	5.....	1PC = 1FT
9\$	34738	TANK, FUEL W/ FITTINGS	1	
10\$	12009	FILTER, IN-TANK	1	
11	34716	BRACKET, FUEL TANK, LOWER	1	
12	49048	SCREW, HHFS 1/4-20 X 3/4" GRD5	4	
14	60013	HOSE, FUEL Ø.250 LOW PERM 50 PSI	3.....	1PC = 1FT
15	60004	HOSE, FUEL Ø.1875 LOW PERM 50 PSI 5.5'..	6.....	1PC = 1FT
16	34836	BRACKET, FUEL TANK, UPPER	1	