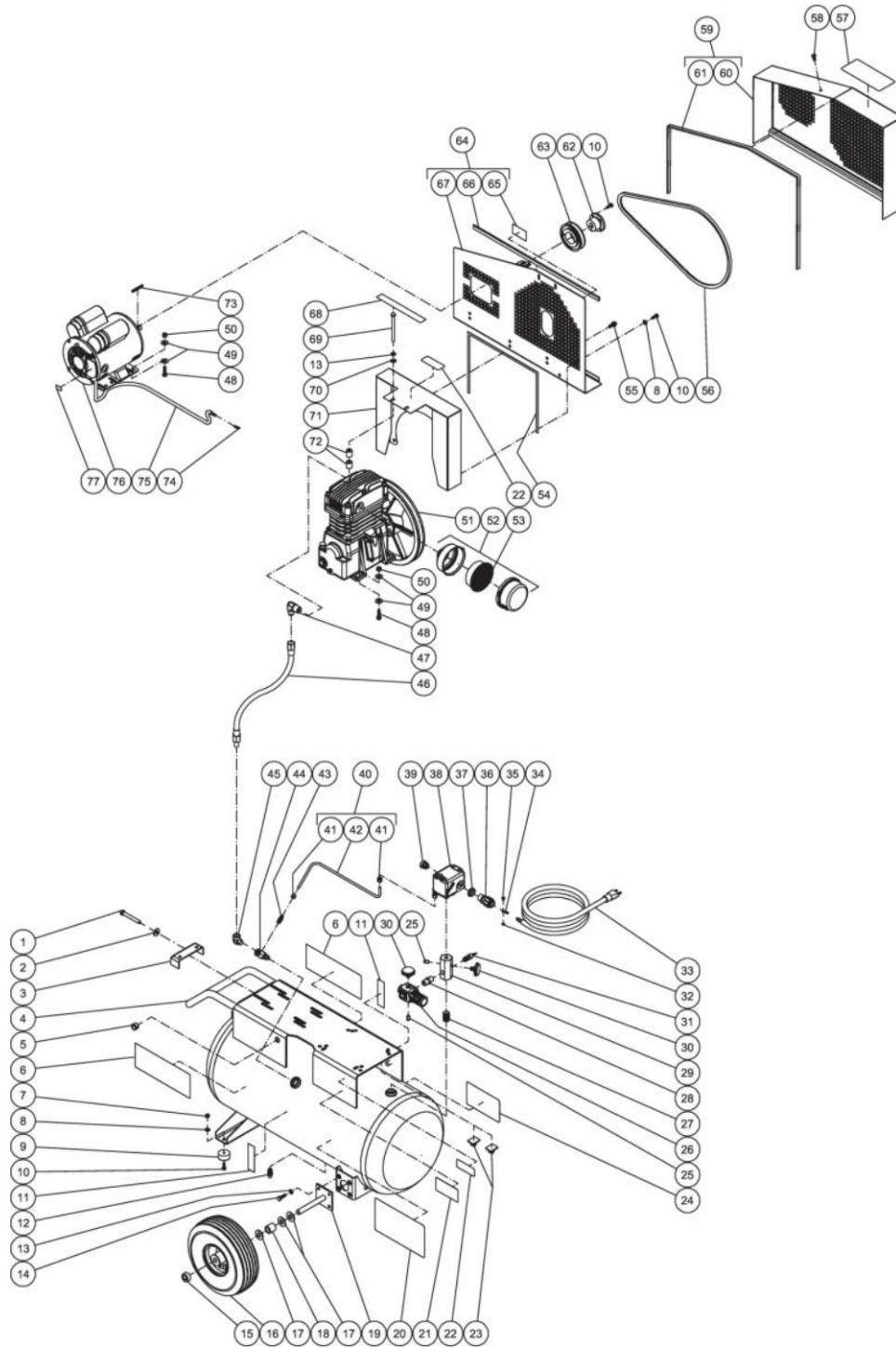




AS1-SE03-30M / AS1-SE03-30M (sn:0-99999999)

FRAME ASSEMBLY



Id	Item #	Description	Quantity	Rev	Comments
----	--------	-------------	----------	-----	----------

Id	Item #	Description	Quantity	Rev	Comments
1	27-0576	BOLT	1		
2	28-0023	WASHER	1		
3	20-0614A01	BELT TENSIONER PLATE	1		
4	N/A	AIR TANK ASSEMBLY	1		
5	32-0465	ELECTRIC BUSHING	1		
6	34-0828	DECAL- MI-T-M	2		
7	30-0155	LOCKNUT	2		
8	28-0002	WASHER	6		
9	14-0069	ISOLATOR	2		
10	27-0015	BOLT	8		
11	N/A Sep.	DECAL- DRAIN TANK (SEE 34-9016)	2		
12	23-0312	DRAIN VALVE	1		
13	29-0007	LOCKWASHER	10		
14	27-0067	BOLT	8		
15	33-0351	COLLAR	2		
16	14-0017	WHEEL	2		
17	28-0008	WASHER	6		
18	62-0188	SPACER	2		
19	20-0670A01	AXLE STUB	2		
20	N/A Sep.	DECAL- DANGER/WARNING/CAUTION (SEE 34-9016)	1		
21	N/A	DECAL- DATA PLATE	1		
22	N/A Sep.	DECAL- WARNING: HOT SURFACE (SEE 34-9016)	1		
23	33-0264	WIRE CLIPS	2		
24	N/A Sep.	DECAL- MAINTENANCE INSTRUCTIONS (SEE 34-9016)	1		
25	24-0082	PLUG	1		
26	22-0231	REGULATOR	1		
27	24-0174	CLOSE NIPPLE	1		
28	24-0010	NIPPLE	1		
29	24-0264	MANIFOLD	1		
30	22-0271	PRESSURE GAUGE	2		
31	22-0228	SAFETY RELIEF VALVE	1		
32	28-1009	LOCKWASHER	3		
33	32-0755	CORD PLUG SET	1		
34	32-0099	TERMINAL	3		
35	27-8933	SCREW	1		
36	32-0766	CORD STRAIN RELIEF	1		
37	32-0108	LOCKNUT	1		
38	22-0312	PRESSURE SWITCH	1		
39	9-0045	BUSHING	1		

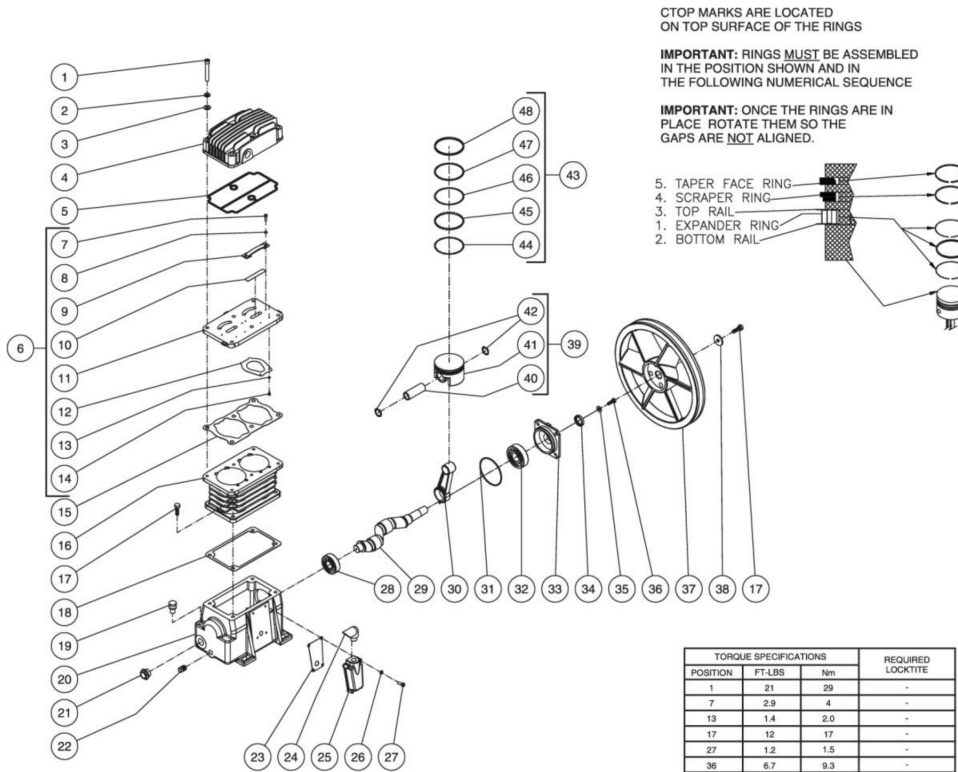
Id	Item #	Description	Quantity	Rev	Comments
40	854-0057	TUBE ASSEMBLY (INC. 41-42)	1		
41	23-0315	COMPRESSION NUT	1		
42	54-0034	TUBE *(TWO FEET REQUIRED)	1		
43	23-0328	FITTING	1		
44	22-0334	CHECK VALVE	1		
45	24-0042	ELBOW	1		
46	15-0246	HOSE	1		
47	24-0074	ELBOW	1		
48	27-0068	BOLT	8		
49	28-0022	WASHER	16		
50	30-0157	LOCKNUT	8		
51	3-0280	PUMP	1		
52	19-0240	AIR FILTER ASSEMBLY (INC. 53)	1		
53	19-0220	FILTER REPLACEMENT	1		
54	26-0240	GASKET	1		
55	27-9524	BOLT	3		
56	11-0039	DRIVE BELT	1		
57	N/A Sep.	DECAL- OPERATING INSTRUCTIONS (SEE 34-9016)	1		
58	33-0197	FASTENER	1		
59	854-0009	BELTGUARD ASSEMBLY (INC. 60-61)	1		
60	N/A Sep.	BELTGUARD COVER (SEE 854-0009)	1		
61	33-0020	EDGING *(FOUR FEET REQUIRED)	1		
62	9-0037	BUSHING	1		
63	10-0049	SHEAVE	1		
64	854-0007	BELTGUARD BACK ASSEMBLY (INC. 65-67)	1		
65	N/A Sep.	DECAL- WARN: BELTGUARD IN PLACE (SEE 34-9016)	1		
66	33-0020	EDGING *(TWO FEET REQUIRED)	1		
67	N/A Sep.	BELTGUARD BACK ASSEMBLY	1		
68	N/A Sep.	DECAL- CHECK OIL TAPE (SEE 34-9016)	1		
69	27-0079	BOLT	2		
70	28-0003	WASHER	2		
71	20-0916A01	AIR SHROUD	1		
72	33-0358	SPACER	4		
73	43-0073	KEY	1		
74	32-0003	TERMINAL	6		
75	32-0445	CORD *(THREE FEET REQUIRED)	1		
76	2-0138	MOTOR	1		
77	N/A Sep.	DECAL- 230 VOLT (SEE 34-9016)	1		
	34-9016	SAFETY DECAL KIT (INC. 11, 20, 22, 24, 57, 65, 68, 77)			

Id	Item #	Description	Quantity	Rev	Comments
		*MUST ORDER IN ONE FOOT LENGTHS			



AS1-SE03-30M / AS1-SE03-30M (sn:0-99999999)

COMPRESSOR PUMP



POSITION	TORQUE SPECIFICATIONS		REQUIRED LOCKTITE
	FT-LBS	Nm	
1	21	29	-
7	2.9	4	-
13	1.4	2.0	-
17	12	17	-
27	1.2	1.5	-
36	6.7	9.3	-

Id	Item #	Description	Quantity	Rev	Comments
1	27-0827	BOLT	6		
2	29-0007	LOCKWASHER	6		
3	28-0003	WASHER	6		
4	46-1236	CYLINDER HEAD	1		
5	N/A Sep.	GASKET (SEE 70-0453)	1		
6	70-0454	VALVE PLATE KIT (INC. 7-14)	1		
7	N/A Sep.	BOLT (SEE 70-0454)	4		
8	N/A Sep.	WASHER (SEE 70-0454)	4		
9	N/A Sep.	VALVE STOP (SEE 70-0454)	2		
10	N/A Sep.	OUTLET REED VALVE (SEE 70-0454)	2		
11	46-1235	VALVE PLATE	1		
12	N/A Sep.	INLET REED VALVE (SEE 70-0454)	2		
13	N/A Sep.	WASHER (SEE 70-0454)	4		

Id	Item #	Description	Quantity	Rev	Comments
14	N/A Sep.	VALVE SCREW (SEE 70-0454)	4		
15	N/A Sep.	GASKET (SEE 70-0453 OR 70-0454)	1		
16	46-1234	CYLINDER	1		
17	27-0067	BOLT	5		
18	N/A Sep.	CRANKCASE GASKET (SEE 70-0453)	1		
19	46-1144	OIL FILL PLUG	1		
20	46-1233	CRANKCASE	1		
21	46-1145	OIL SIGHT GLASS	1		
22	24-0009	PLUG	1		
23	26-0292	LABYRINTH COVER GASKET	1		
24	46-1241	LABYRINTH COVER ELBOW	1		
25	46-1242	LABYRINTH COVER	1		
26	28-1009	LOCKWASHER	4		
27	27-8885	BOLT	4		
28	48-0086	BALL BEARING	1		
29	46-1237	CRANKSHAFT	1		
30	46-1239	CONNECTING ROD	2		
31	N/A Sep.	O-RING (SEE 70-0453)	1		
32	48-0087	BALL BEARING	1		
33	46-1240	FLANGE	1		
34	26-0246	OIL SEAL SHAFT	1		
35	28-0002	WASHER	4		
36	27-0015	BOLT	4		
37	10-0136	SHEAVE	1		
38	N/A	WASHER	1		
39	46-1238	PISTON ASSEMBLY (INC. 40-42)	1		
40	N/A Sep.	WRIST PIN (SEE 46-1237 OR 46-1238)	2		
41	N/A Sep.	PISTON (SEE 46-1237 OR 46-1238)	2		
42	N/A Sep.	SNAP RING (SEE 46-1237 OR 46-1238)	4		
43	70-0452	RING KIT (INC. 44-48)	1		
44	N/A Sep.	BOTTOM RAIL (SEE 70-0452)	2		
45	N/A Sep.	ENPANDER RING (SEE 70-0452)	2		
46	N/A Sep.	TOP RAIL (SEE 70-0452)	2		
47	N/A Sep.	PISTON RING SCRAPER (SEE 70-0452)	2		
48	N/A Sep.	PISTON RING TAPER FACE (SEE 70-0452)	2		
KIT	70-0454	VALVE PLATE (INC. 7-14)			
KIT	70-0453	GASKET (INC. 5, 15, 18, 31)			
KIT	46-1237	PISTON ASSEMBLY (INC. 40-42)			
KIT	70-0452	PISTON RINGS (INC. 44-48)			

