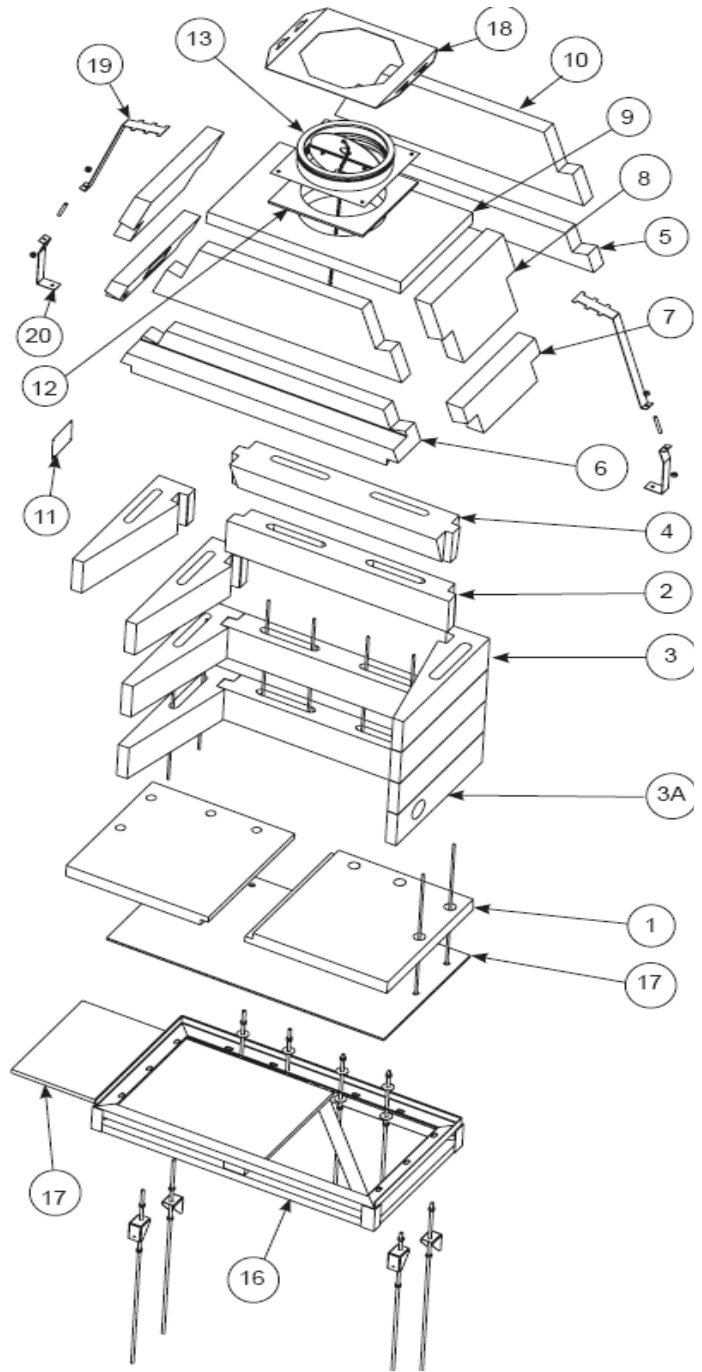


FMI Grand Meridian 39" 44" 49" Wood Burning Fireplace

MODELS: MM39, MM44, MM49

	Part Number	Description
1	MFP39-1	HEARTH (Left or Right)
	MFP44-1	HEARTH (Left or Right)
	MFP49-1	HEARTH (Left or Right)
2	MFP39-2	REAR WALL
	MFP44-2	REAR WALL
	MFP49-3	REAR WALL
3	MFP39-3	SIDE WALL
	MFP44-3	SIDE WALL
	MFP49-3	SIDE WALL
3A	MFP39-3A	SIDE WALL (Outside Air Hole)
	MFP44-3A	SIDE WALL (Outside Air Hole)
	MFP49-3A	SIDE WALL (Outside Air Hole)
4	MFP39-4	SMOKE SHELF
	MFP44-4	SMOKE SHELF
	MFP49-4	SMOKE SHELF
5	MFP39-5	DOME REAR - LOWER
	MFP44-5	DOME REAR - LOWER
	MFP49-5	DOME REAR - LOWER
6	MFP39-6	LINTEL
	MFP44-6	LINTEL
	MFP49-6	LINTEL
7	MFP39-7	DOME SIDE - LOWER
	MFP44-7	DOME SIDE - LOWER
	MFP49-7	DOME SIDE - LOWER
8	MFP39-8	DOME SIDE - UPPER
	MFP44-8	DOME SIDE - UPPER
	MFP49-8	DOME SIDE - UPPER
9	MFP39-9	DOME TOP 12"
	MFP44-9	DOME TOP 12"
	MFP49-9F	DOME TOP 12"
10	MFP39-10	DOME FRONT/REAR - MIDDLE
	MFP44-10	DOME FRONT/REAR - MIDDLE
	MFP49-10	DOME FRONT/REAR - MIDDLE
11	125086-01	RATING PLATE
12	125179-01†	INSULATION BLANKET
13	MM12AP*	12" DAMPER/ANCHOR PLATE
14	MM4AK*	4" OUTSIDE AIR KIT
16	MMB39*	6" METAL BASE
	MMB44*	6" METAL BASE
	MMB49*	6" METAL BASE
17	**	CEMENT BOARDS
18	125171-01#	12" COLLAR SEISMIC STRAP
19	125172-01#	SEISMIC STRAP, UPPER
20	125173-01#	SEISMIC STRAP, LOWER



* Sold separately. Only required for installation on combustible floor.

** Not provided. Can be purchased at local hardware store.

Included with MM115

† Included with MM12AP