

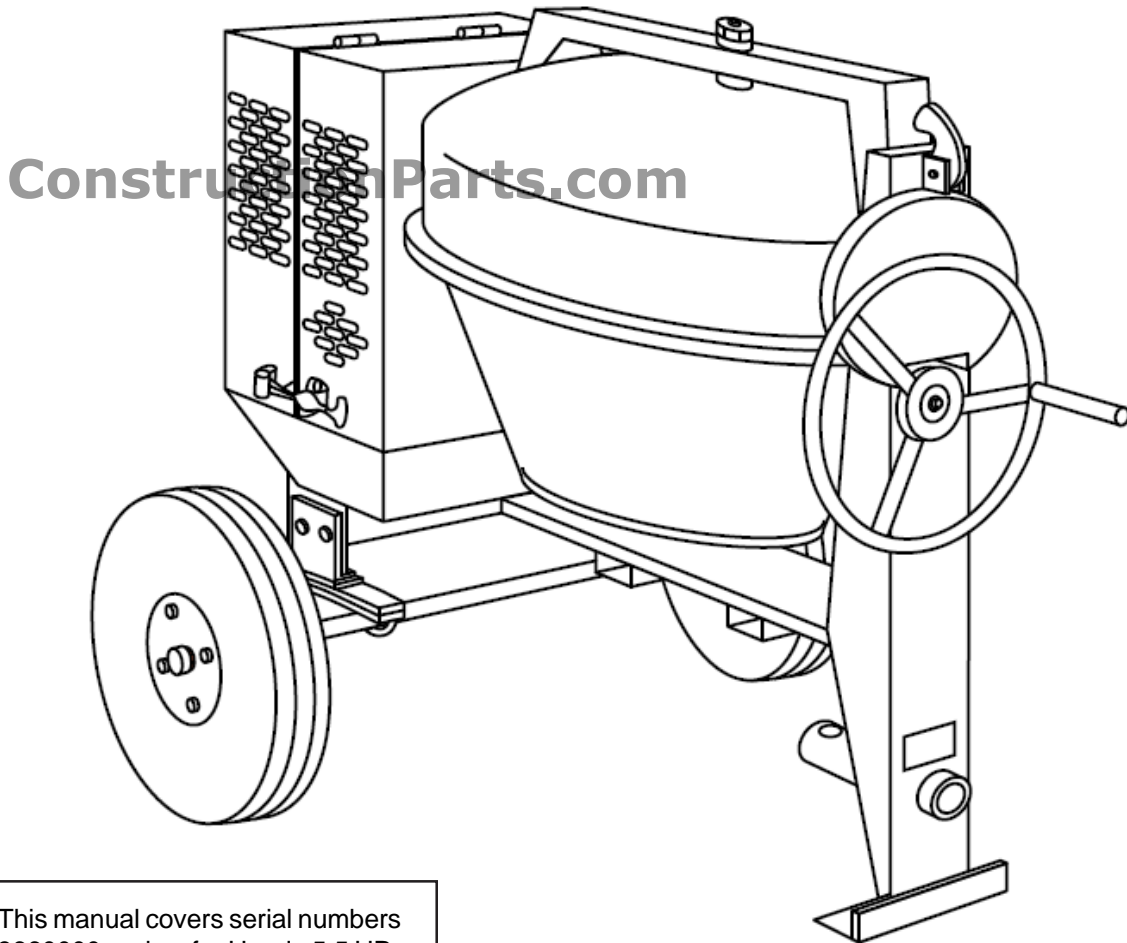
ConstructionParts.com

888-634-4289

CM6

CONCRETE MIXERS 6 CUBIC FEET

Parts and operation Manual



ConstructionParts.com

This manual covers serial numbers
3660000 and up for Honda 5.5 HP

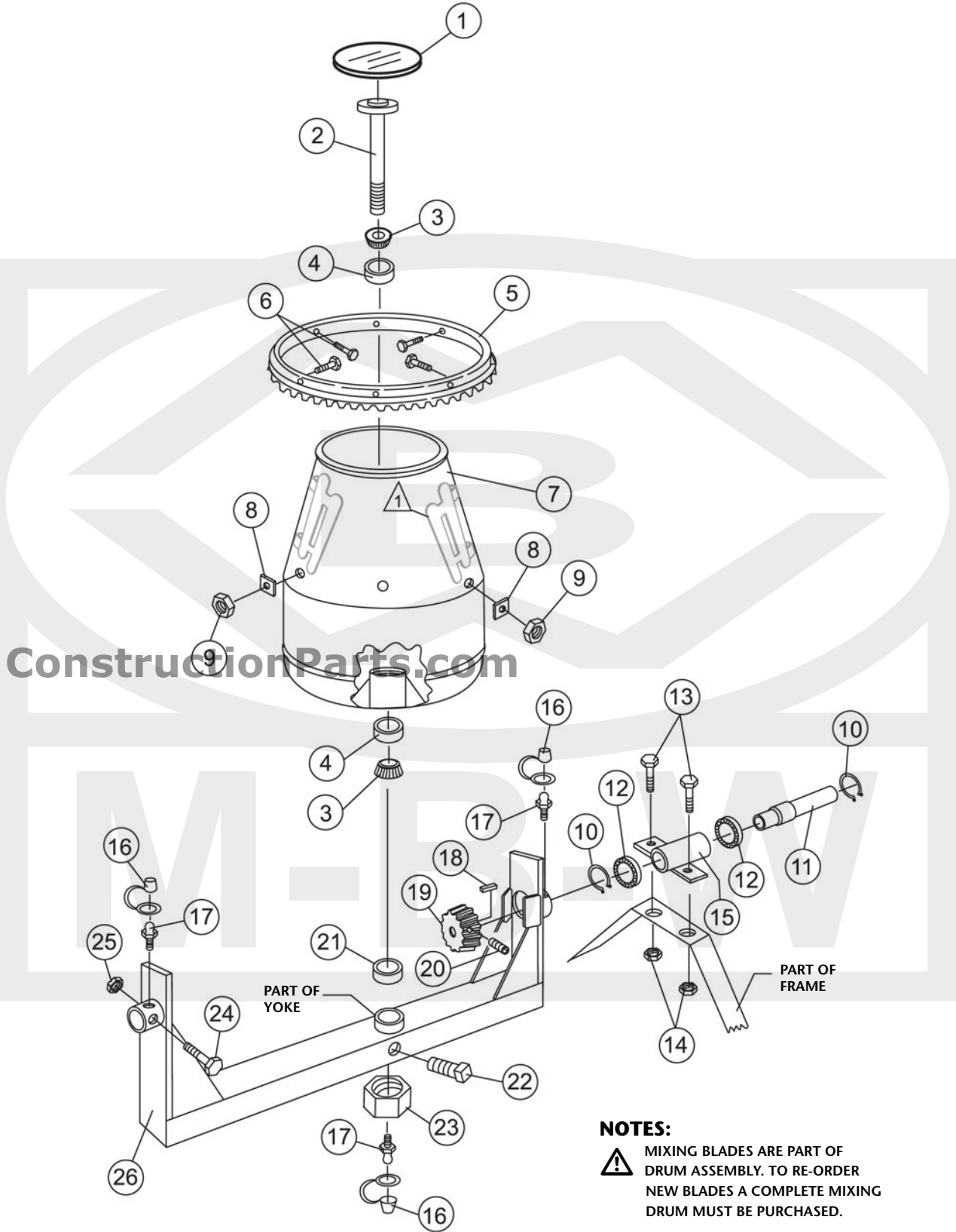
This manual covers serial numbers
3690000 and up for Honda 8 HP

P/N 514211 REV #1 (MAY/30/04)

ConstructionParts.com

888-634-4289

STEEL BARREL ASSY



NOTES:
 ⚠ MIXING BLADES ARE PART OF DRUM ASSEMBLY. TO RE-ORDER NEW BLADES A COMPLETE MIXING DRUM MUST BE PURCHASED.

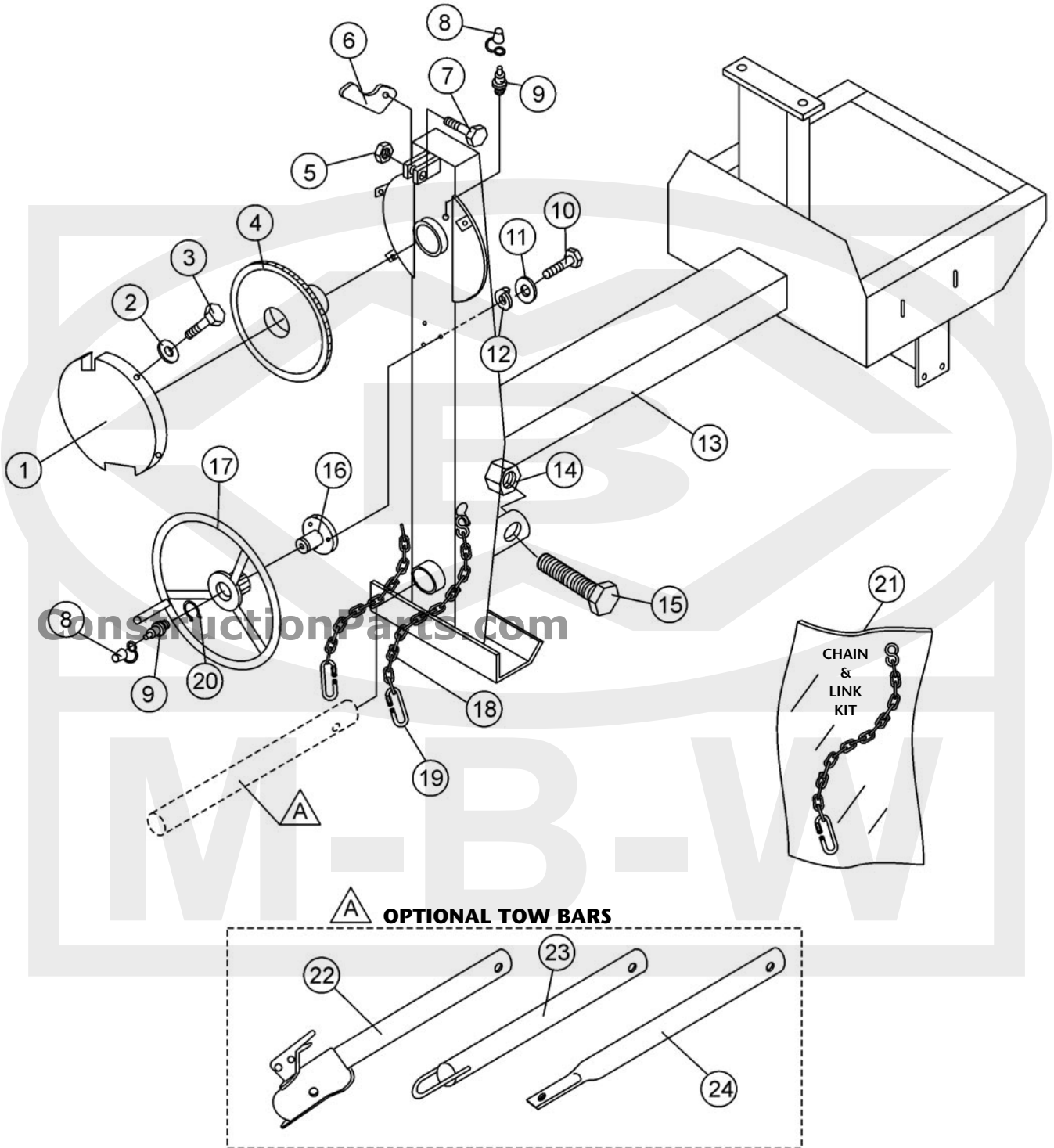
STEEL BARREL ASSY

No.	Part No.	Part Name	Qty.	UM
0001	505390	PLUG, EXPANSION	1.000	EA
0002	505469	KING PIN	1.000	EA
0003	510955	SPINDLE BEARING CONE	2.000	EA
0004	510956	SPINDLE BEARING CUP	2.000	EA
0005	514095	RING GEAR	1.000	EA
0006	963053	BOLT 3/8" NC 1-1/2" G5	6.000	EA
0007	505487	BARREL, STEEL 6 CU. FT.	1.000	EA
0008	511732	SHIM 0.25 THICK	AR	EA
0008	511729	SHIM .100 THICK	AR	EA
0008	511730	SHIM .140 THICK	AR	EA
0008	511731	SHIM .187 THICK	AR	EA
0009	EM969013	NUT, LOCK 3/8" NC	6.000	EA
0010	490962	SNAP RING	2.000	EA
0011	514515	DRIVE PINION SHAFT	1.000	EA
0012	492179	BEARING, PINION SHAFT	2.000	EA
0013	EM963692	BOLT 1/2" NC X 1-1/2" G5	2.000	EA
0014	492584	LOCKNUT, HEX 1/2" NC	2.000	EA
0015	502036	HOUSING, JACKSHAFT	1.000	EA
0016	491008	CAP, GREASE FITTING	3.000	EA
0017	EM916001	GREASE FITTING 1/8" NPT	3.000	EA
0018	500214	SQUARE KEY 1/4" X 30 MM	1.000	EA
0019	514724	DRIVE PINION	1.000	EA
0020	492467	ALLEN SCREW 5/16 NC 3/8"	1.000	EA
0021	EM505472	SPACER, BARREL	1.000	EA
0022	492491	SET SCREW 1/2" X 1" NC	1.000	EA
0023	EM968306	NUT, HEX LOWER 1-1/2" NF	1.000	EA
0024	505079	BOLT 5/8" NC X 1-1/4" NC	1.000	EA
0025	492586	LOCKNUT, HEX 5/8" NC	1.000	EA
0026	515104	YOKE	1.000	EA

ConstructionParts.com

M-B-W

MAIN FRAME ASSEMBLY



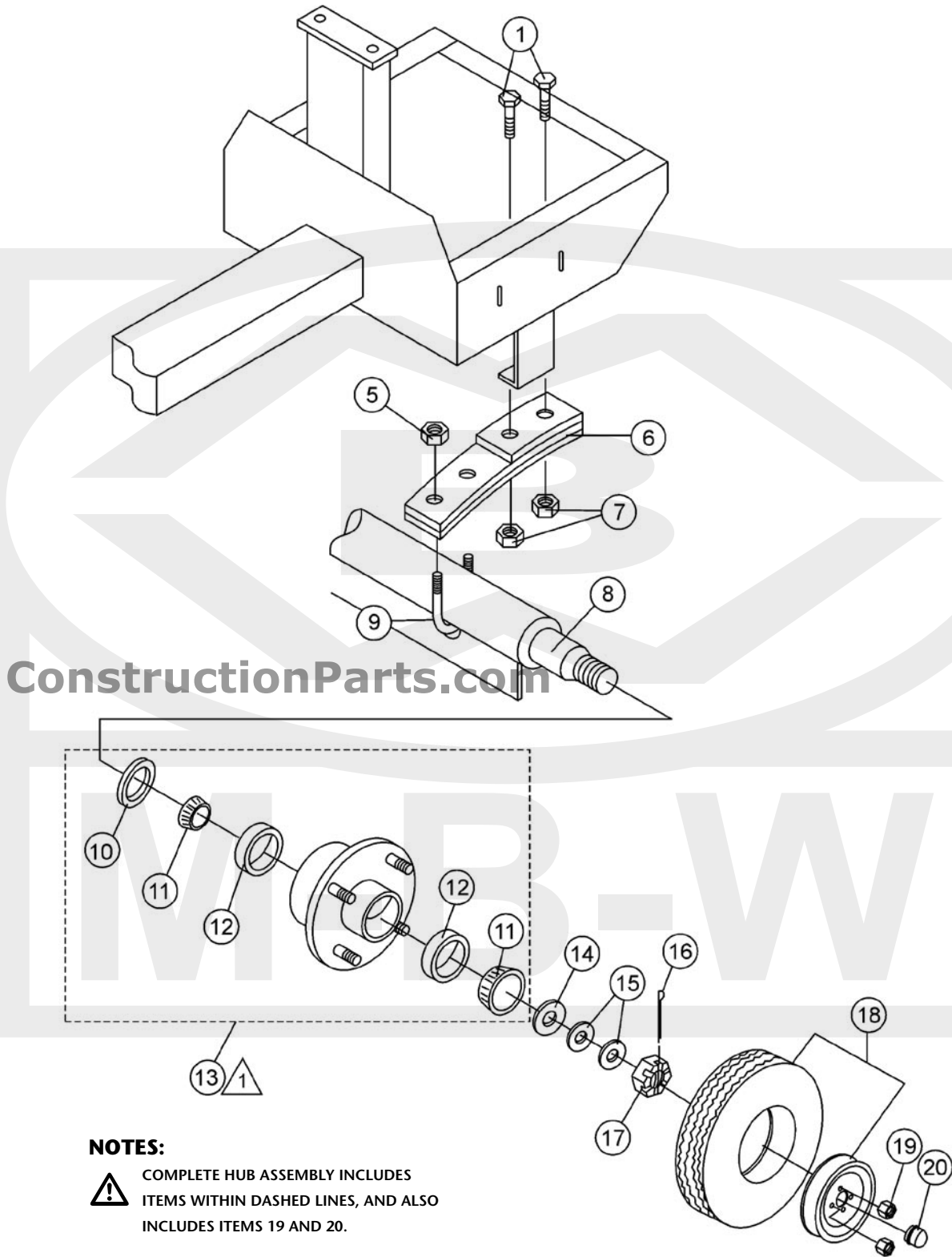
MAIN FRAME ASSEMBLY

No.	Part No.	Part Name	Qty.	UM
0001	514245	GUARD, GEAR WHEEL	1.000	EA
0002	492621	WASHER, LOCK 1/4"	4.000	EA
0003	492278	ROUND HEAD BOLT 1/4" NC 3/8 G2"	4.000	EA
0004	514692	DUMP GEAR	1.000	EA
0005	492584	NUT, LOCK 1/2" NC	1.000	EA
0006	490895	DUMP LATCH	1.000	EA
0007	492395	BOLT 1/2" NC X 1-3/4" G5	1.000	EA
0008	EM916001	GREASE FITTING 1/8" NPT	2.000	EA
0009	491008	GREASE CAP	2.000	EA
0010	EM963055	BOLT 3/8" NC X 3/4" G5	3.000	EA
0011	3109092	WASHER, FLAT 3/8"	3.000	EA
0012	0166 A	WASHER, LOCK 3/8"	3.000	EA
0013	514693	FRAME	1.000	EA
0014	10176	LOCK NUT 1/2 NC	1.000	EA
0015	EM124	BOLT 1/2"-13 X 4 G5	1.000	EA
0016	514723	HANDWHEEL SHAFT	1.000	EA
0017	514002	HANDWHEEL	1.000	EA
0018*		SAFETY CHAIN	1.000	EA
0019*	01004	CONNECTOR LINK	2.000	EA
0020	490961	SNAP RING	1.000	EA
0021	13363KIT	CHAIN AND LINK KIT	1.000	INCLUDES ITEMS W/*
0022	HBC-1	BALL HITCH 2-INCH	1.000	CONTACT UNIT SALES
0023	HLC-1	LOOP HITCH	1.000	CONTACT UNIT SALES
0024	HPC-1	PIN HITCH 1-INCH	1.000	CONTACT UNIT SALES

ConstructionParts.com

M-B-W

AXLE ASSEMBLY



NOTES:



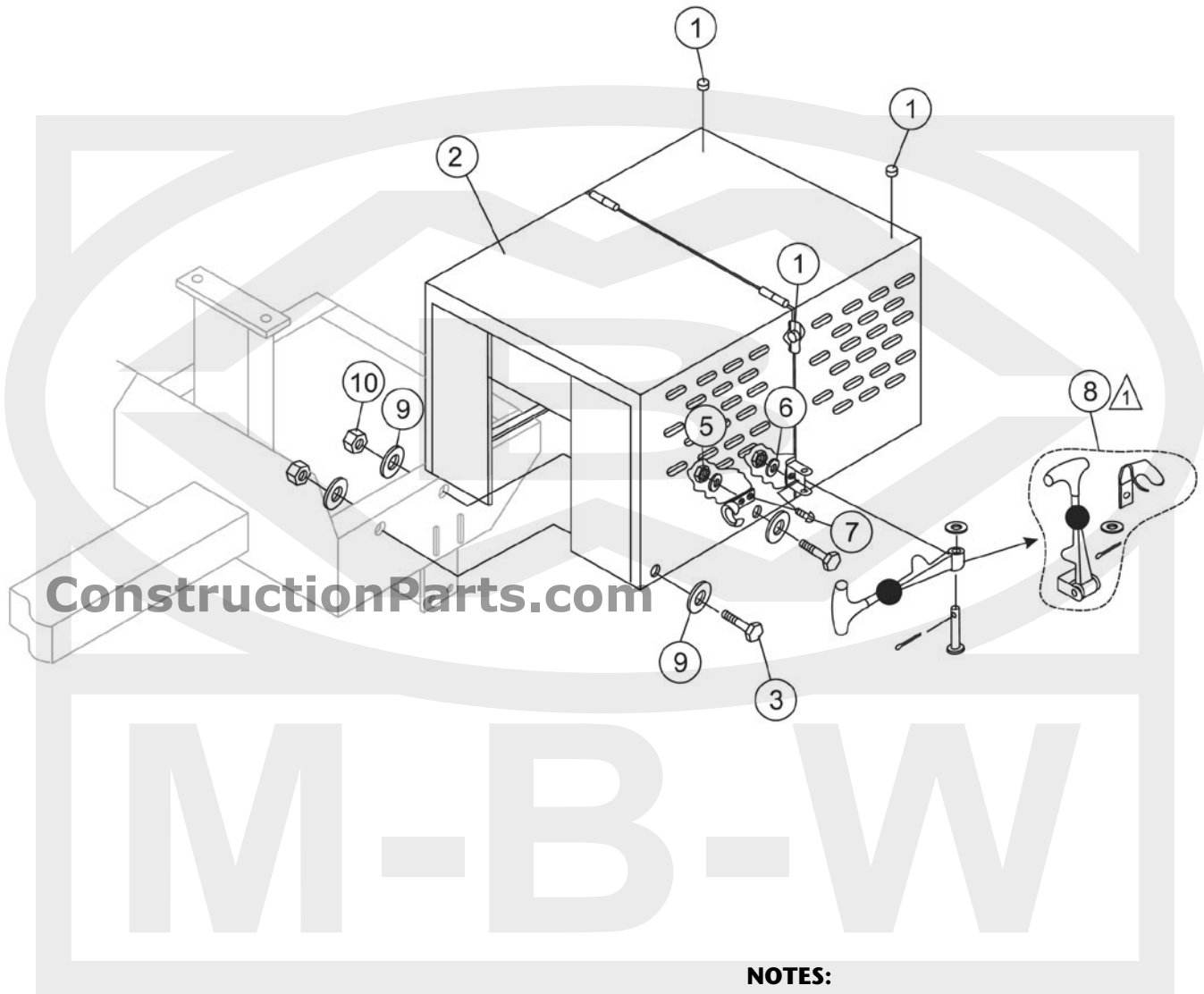
COMPLETE HUB ASSEMBLY INCLUDES ITEMS WITHIN DASHED LINES, AND ALSO INCLUDES ITEMS 19 AND 20.

AXLE ASSEMBLY

No.	Part No.	Part Name	Qty.	UM
0001	492395	BOLT 1/2" NC 1-3/4" G5	4.000	EA
0002	EM969023	LOCK NUT 5/8" NC	4.000	EA
0003	501030	SPRING SUPPORT	2.000	EA
0004	492406	BOLT 5/8" NC 1-1/2" G5	4.000	EA
0005	492589	NUT 1/2" NF	4.000	EA
0006	491928	SPRING LEAF	2.000	EA
0007	492584	NUT, HEX 1/2"	4.000	EA
0008	514545	AXLE 1-1/16 SPINDLE	1.000	EA
0009	500617	U-CLAMP	2.000	EA
0010#	EM914288	OIL SEAL	2.000	EA
0011#	EM903113	BEARING CONE, (1-1/16" SPINDLE)	4.000	EA
0012#	EM903012	BEARING CUP	4.000	EA
0013	EM941306	HUB ASSY., 4-BOLT (1-1/16" SPINDLE)	2.000	INCLUDES ITEMS W/#
0014	EM511159	WASHER, FLAT, .087" THICKNESS	2.000	EA
0015	EM501299	WASHER, FLAT, .135" THICKNESS	AR	EA
0016	491688	COTTER PIN 1/8" X 1-1/2'	2.000	EA
0017	8164	NUT, SLOTTED HEX JAM (1-1/16" SPINDLE)	2.000	EA
0018	3005	TIRE AND RIM, CARLISE	2.000	EA
0019#	8115	LUG NUTS	8.000	EA
0020#	3469	DUST CAP	2.000	EA

ConstructionParts.com

M-B-W



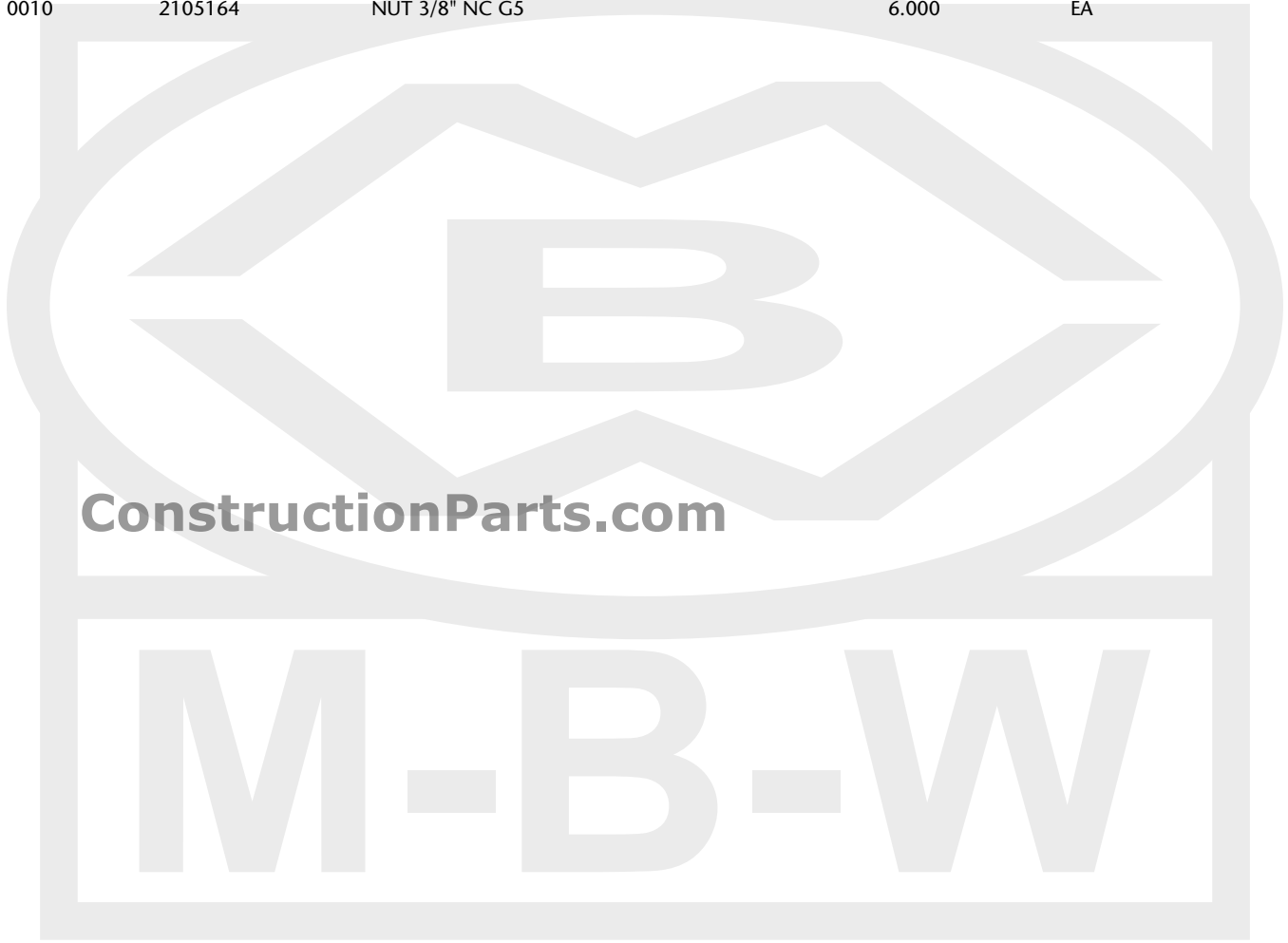
NOTES:



COMPLETE LATCH ASSEMBLY INCLUDES ITEMS WITHIN DASHED LINES. ITEMS CANNOT BE PURCHASED SEPARATELY.

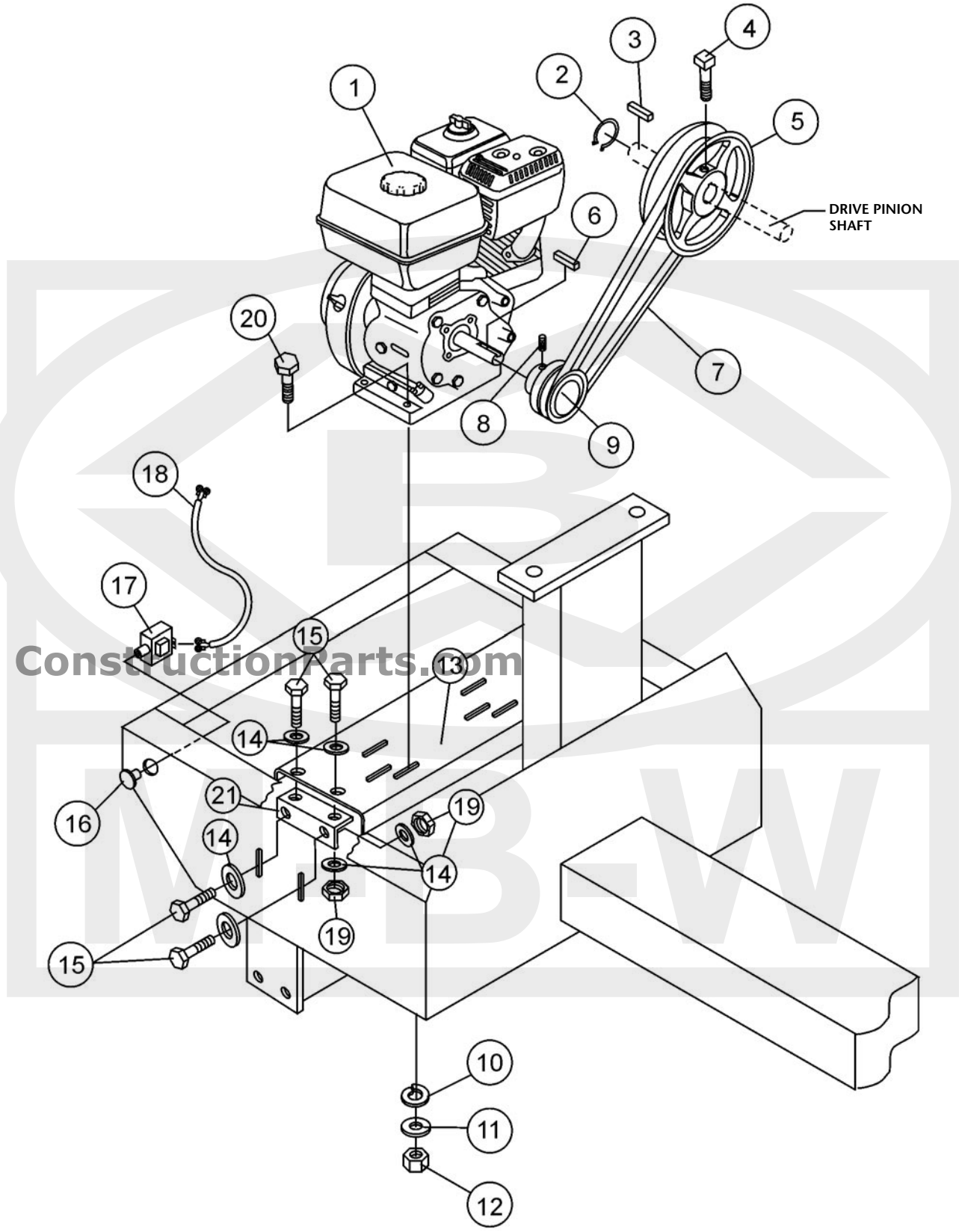
CABINET ASSEMBLY

No.	Part No.	Part Name	Qty.	UM
0001	490202	RUBBER PROTECTOR	4.000	EA
0002	514694	ENGINE HOUSING CABINET	1.000	INCLUDES DECALS
0003	492375	BOLT 3/8" NC X 1" G5	6.000	EA
0004	EM923023	WASHER, FLAT 5/16"	8.000	EA
0005	13287	LOCK NUT 8-32	4.000	REPLACEMENT PART ONLY
0006	2203	WASHER, FLAT #10	4.000	REPLACEMENT PART ONLY
0007	1307	RHMS 8-32 X 1/2"	6.000	REPLACEMENT PART ONLY
0008	491010	LATCH ASSY., COMPLETE	2.000	EA
0009	492598	WASHER, FLAT 3/8"	12.00	EA
0010	2105164	NUT 3/8" NC G5	6.000	EA



ConstructionParts.com

GAS ENGINE MOUNTING PLATE ASSY



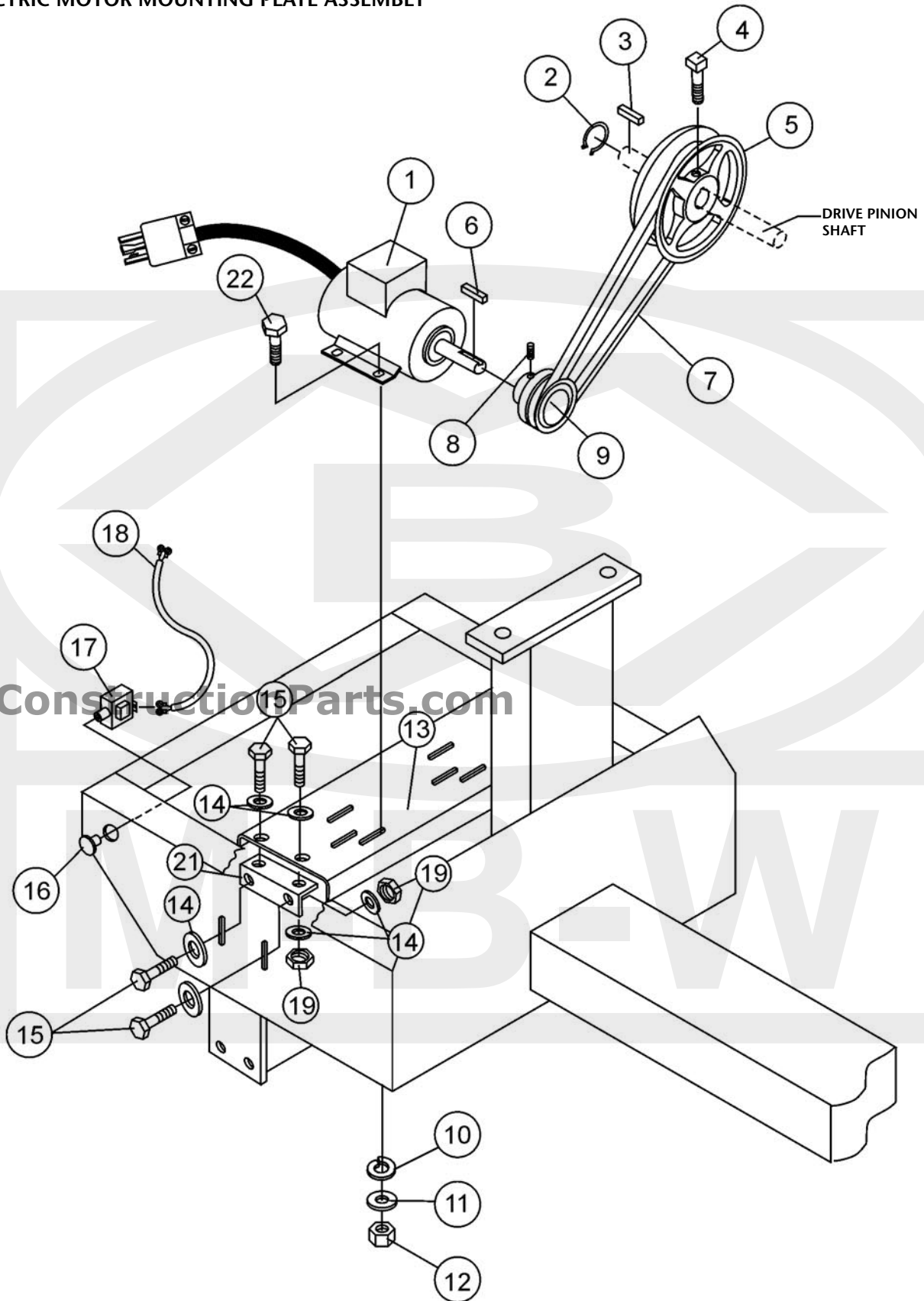
GAS ENGINE MOUNTING PLATE ASSY

No.	Part No.	Part Name	Qty.	UM
0001	GX160K1QX2	ENGINE, HONDA 5.5 HP	1	EA
0001	GX240K1QA2	ENGINE, HONDA 8.0 HP	1	EA
0002	490956	SNAP RING	1	EA
0003	500275	SQUARE KEY 1/4 X 40 MM	1	EA
0004	492468	SET SCREW 5/16" NC X 3/4"	1	EA
0005	514060	UPPER PULLEY	1	EA
0006	501019	SQUARE KEY 3/16" X 45 MM 5.5 HP	1	EA
0006	90745ZE2600	SQUARE KEY 6.3 X 6.3 X 43 MM 8.0 HP	1	EA
0007	512265	V-BELT B-59 5.5 HP	1	EA
0007	493399	V-BELT B-55 8.0 HP	1	EA
0008	492468	ALLEN SCREW 5/16" NC X 3/8"	1	EA
0009	508312	DRIVE PULLEY 5.5 HP	1	EA
0009	504075	DRIVE PULLEY 8.0 HP	1	EA
0010	EM923343	WASHER, LOCK 5/16"	4	EA
0011	EM923023	WASHER, FLAT 5/16"	4	EA
0012	2105164	NUT, HEX 5/16 X18 NC G5	4	EA
0013	514810	BASE PLATE, ENGINE	1	EA
0014	492600	WASHER, FLAT 1/2"	8	EA
0015	EM963692	BOLT, HEX 1/2" NC 1-1/2" G5	4	EA
0016	29174-001	BUTTON, STOP	1	EA
0017	29173-001	SWITCH, STOP	1	EA
0018	510573C	ENGINE CABLE HARNESS	1	EA
0019	492584	LOCKNUT 1/2"	4	EA
0020	492367	BOLT 5/16" X 1-3/4" G5	4	EA
0021	514656	SUPPORT BRACKET	1	EA

ConstructionParts.com

M-B-W

ELECTRIC MOTOR MOUNTING PLATE ASSEMBLY



ELECTRIC MOTOR MOUNTING PLATE ASSEMBLY

No.	Part No.	Part Name	Qty.	UM
0001	P145K17DB45A	MOTOR, ELECTRIC 1.5 HP	1.000	EA
0002	490960	SNAP RING	1.000	EA
0003	500275	SQUARE KEY 1/4 X 40 MM	1.000	EA
0004	492476	SET SCREW 5/16" NC X 3/4"	1.000	EA
0005	514060	UPPER PULLEY	1.000	EA
0006	500169	SQUARE KEY 3/16" x 50 MM	1.000	EA
0007	512265	V-BELT B-59	1.000	EA
0008	492468	ALLEN SCREW 5/16" NC X 1/2"	1.000	EA
0009	514923	DRIVE PULLEY	1.000	EA
0010	EM923343	WASHER, LOCK 5/16"	4.000	EA
0011	EM923023	WASHER, FLAT 5/16"	4.000	EA
0012	2105164	NUT, HEX 5/16 X18 NC G5	4.000	EA
0013	514810	BASE PLATE, ENGINE	1.000	EA
0014	492600	WASHER, FLAT 1/2"	8.000	EA
0015	EM963692	BOLT, HEX 1/2" NC 1-1/2" G5	4.000	EA
0016	29174-001	BUTTON, STOP	1.000	EA
0017	29173-001	SWITCH, STOP	1.000	EA
0018	510573C	ENGINE CABLE HARNESS	1.000	EA
0019	492584	LOCKNUT 1/2"	4.000	EA
0020	492367	BOLT 5/16" X 1-3/4" G5	4.000	EA
0021	514656	SUPPORT BRACKET	1.000	EA
0022	0202	5/16" x 1" G5	4.000	EA

ConstructionParts.com

M-B-W