

PARTS AND OPERATION MANUAL



Mikasa

Reversible Plate Compactor Model MVH-304GHB

Revision #0 (11/25/02)

TABLE OF CONTENTS

Proposition 65 Warning	2
Here's How To Get Help	3
Table Of Contents	4
Parts Ordering Procedures	5

MIKASA MVH-304GHB PLATE COMPACTOR

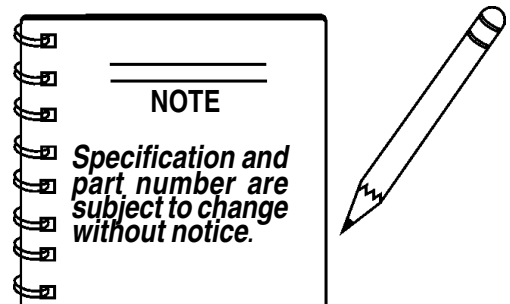
Safety Message Alert Symbols	6-7
Rules for Safe Operation	8-9
Operation and Safety Decals	10
Specifications	11
Dimensions	12
Features	13
Plate Compactor Components	14
Engine Components	15
Pre-Inspection	16
Operation	17-20
Maintenance	21-24
Troubleshooting	25-26

PARTS ILLUSTRATIONS

Explanation Of Code In Remarks Column	28
Suggested Spare Parts	29
Decal Placement	30-31
Vibrating Plate Assembly	32-33
Base and Engine Assembly	34-37
Vibrator Assembly	38-41
Hydraulic System Assembly	42-43
Control Handle Assembly	44-47

HONDA GX340KSMX2 ENGINE

Air Cleaner Assembly	48-49
Camshaft Assembly	50-51
Piston Assembly	52-53
Crankcase Cover Assembly	54-55
Crankshaft Assembly	56-57
Cylinder Barrel Assembly	58-59
Cylinder Head Assembly	60-61
Fan Cover Assembly	62-63
Flywheel Assembly	64-65
Fuel Tank Assembly	66-67
Ignition Coil Assembly	68-69
Carburetor Assembly	70-71
Muffler Assembly	72-73
Recoil Starter Assembly	74-75
Control Assembly	76-77
Labels Assembly	78-79
Terms and Conditions of Sale	80



MVH-304GHB — SAFETY MESSAGE ALERT SYMBOLS

FOR YOUR SAFETY AND THE SAFETY OF OTHERS!

Safety precautions should be followed at all times when operating this equipment. Failure to read and understand the Safety Messages and Operating Instructions could result in injury to yourself and others.

NOTE

This Owner's Manual has been developed to provide complete instructions for the safe and efficient operation of the Multiquip Model MVH-304GHB Reversible Plate Compactor. Refer to the engine manufacturer's instructions for data relative to its safe operation.

Before using this reversible plate compactor, ensure that the operating individual has read and understands all instructions in this manual.

SAFETY MESSAGE ALERT SYMBOLS

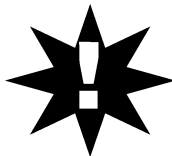
The three (3) Safety Messages shown below will inform you about potential hazards that could injure you or others. The Safety Messages specifically address the level of exposure to the operator, and are preceded by one of three words: **DANGER**, **WARNING**, or **CAUTION**.



DANGER: You **WILL** be **KILLED** or **SERIOUSLY** injured if you do not follow directions.



WARNING: You **CAN** be **KILLED** or **SERIOUSLY** injured if you do not follow directions.



CAUTION: You **CAN** be injured if you do not follow directions.

Potential hazards associated with this reversible plate compactor operation will be referenced with Hazard Symbols which appear throughout this manual, and will be referenced in conjunction with Safety Message Alert Symbols.

HAZARD SYMBOLS



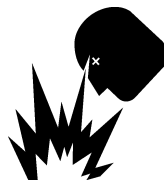
Lethal Exhaust Gases



Engine exhaust gases contain poisonous carbon monoxide. This gas is colorless and odorless, and can cause death if inhaled. **NEVER** operate this equipment in a confined area or enclosed structure that does not provide ample free flow air.



Explosive Fuel



GASOLINE is extremely flammable, and its vapors can cause an explosion if ignited. **DO NOT** start the engine near spilled fuel or combustible fluids. **DO NOT** fill the fuel tank while the engine is running or hot. **DO NOT** overfill tank, since spilled fuel could ignite if it comes into contact with hot engine parts or sparks from the ignition system. Store fuel in approved containers, in well-ventilated areas and away from sparks and flames. **NEVER** use fuel as a cleaning agent.



Burn Hazards



Engine components can generate extreme heat. To prevent burns, **DO NOT** touch these areas while the engine is running or immediately after operations. Never operate the engine with heat shields or heat guards removed.




Rotating Parts




NEVER operate equipment with covers, or guards removed. Keep fingers, hands, hair and clothing away from all moving parts to prevent injury.

MVH-304GHB — SAFETY MESSAGE ALERT SYMBOLS

Accidental Starting

 OFF **ALWAYS** place the engine ON/OFF switch in the **OFF** position, when the reversible plate compactor is not in use.

Respiratory Hazard

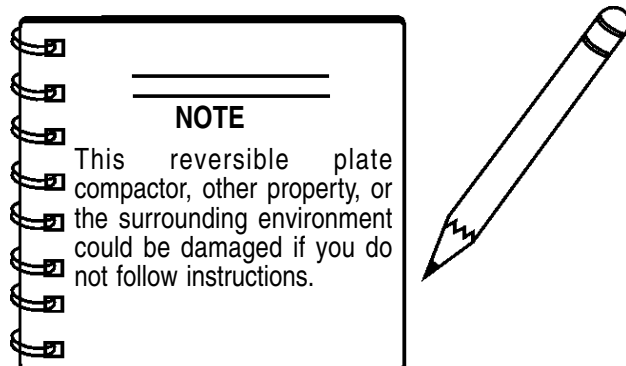
 **ALWAYS** wear approved respiratory protection.

Sight and Hearing hazard

 **ALWAYS** wear approved eye and hearing protection.

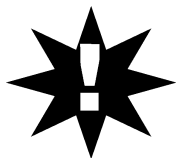
Equipment Damage Messages

Other important messages are provided throughout this manual to help prevent damage to your reversible plate compactor, other property, or the surrounding environment.



MVH-304GHB — RULES FOR SAFE OPERATION

CAUTION:



Failure to follow instructions in this manual may lead to serious injury or even death! This equipment is to be operated by trained and qualified personnel only! This equipment is for industrial use only.

The following safety guidelines should always be used when operating the MIKASA MVH-304GHB Reversible Plate Compactor:

GENERAL SAFETY

- **DO NOT** operate or service this equipment before reading this entire manual.



- This equipment should not be operated by persons under 18 years of age.



- **NEVER** operate this equipment without proper protective clothing, shatterproof glasses, steel-toed boots and other protective devices required by the job. **ALWAYS** wear slip resistant safety shoes or boots.



- **NEVER** operate this equipment when not feeling well due to fatigue, illness or taking medicine.



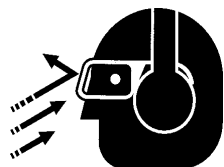
- **NEVER** operate this equipment under the influence of drugs or alcohol.

- **NEVER** use accessories or attachments, which are not recommended by Multiquip for this equipment. Damage to the equipment and/or injury to user may result.

- Manufacturer does not assume responsibility for any accident due to equipment modifications.

- Whenever necessary, replace nameplate, operation and safety decals when they become difficult read.

- **ALWAYS** wear proper respiratory (mask), hearing and eye protection equipment when operating the reversible plate compactor.

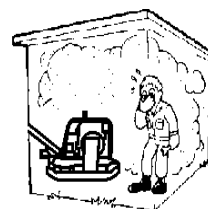


- **NEVER** touch the hot exhaust manifold, muffler or cylinder. Allow these parts to cool before servicing engine or reversible plate compactor.



- **High Temperatures** – Allow the engine to cool before adding fuel or performing service and maintenance functions. Contact with *hot* components can cause serious burns.

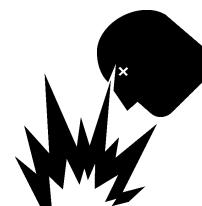
- The engine of this reversible plate compactor requires an adequate free flow of cooling air. **NEVER** operate the reversible plate compactor in any enclosed or narrow area where free flow of the air is restricted. If the air flow is restricted it will cause serious damage to the reversible plate compactor or engine and may cause injury to people and property. Remember the vibration roller's engine gives off **DEADLY** gases.



- **ALWAYS** refuel in a well-ventilated area, away from sparks and open flames.

- **ALWAYS** use extreme caution when working with **flammable** liquids. When refueling, **stop the engine** and allow it to cool. **DO NOT smoke** around or near the machine. Fire or explosion could result from fuel vapors, or if fuel is spilled on a hot engine.

- **NEVER** operate the reversible plate compactor in an explosive atmosphere or near combustible materials. An explosion or fire could result causing severe *bodily harm or even death*.



- Topping-off to filler port is dangerous, as it tends to spill fuel.

- **ALWAYS** store the reversible plate compactor in a clean, dry location out of the reach of children.

- **NEVER** run engine without air cleaner. Severe engine damage may occur.

- **NEVER** leave the reversible plate compactor unattended, turn off engine.

- **CAUTION** must always be observed while servicing this reversible plate compactor. Rotating parts can cause injury if contacted.

- **DO NOT** leave reversible plate compactor with engine running. Use chock blocks if parking reversible plate compactor on a grade.

MVH-304GHB — RULES FOR SAFE OPERATION

- **NEVER** disconnect any "*emergency or safety devices*". These devices are intended for operator safety. Disconnection of these devices can cause severe injury, bodily harm or even death! Disconnection of any of these devices will void all warranties.

Loading and Unloading (Crane)

- Before lifting, make sure that machine parts (hook and vibration insulator) are not damaged and screws are not loosened or lost.
- Always make sure crane or lifting device has been properly secured to the hook of guard frame on compactor.
- **NEVER** lift the machine while the engine is running.
- Use adequate lifting cable (wire or rope) of sufficient strength.
- Use one point suspension hook and lift straight upwards.
- **NEVER** allow any person or animal to stand underneath the machine while lifting.
- Try not to lift machine to unnecessary heights.

Transporting

- **ALWAYS** shutdown engine before transporting.
- Tighten fuel tank cap securely and close fuel cock to prevent fuel from spilling.
- Drain fuel when transporting compactor over long distances or bad roads.
- **ALWAYS** tie down the compactor during transportation by securing the compactor's guard frame with rope.

Emergencies

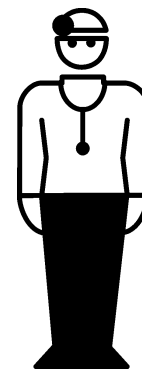
- **ALWAYS** know the location of the nearest *fire extinguisher*.



- **ALWAYS** know the location of the nearest *first aid kit*.



- In emergencies *always* know the location of the nearest phone or **keep a phone on the job site**. Also know the phone numbers of the nearest **ambulance, doctor** and **fire department**. This information will be invaluable in the case of an emergency.



Maintenance Safety

- **NEVER** lubricate components or attempt service on a running machine.
- **ALWAYS** allow the machine a proper amount of time to cool before servicing.
- Keep the machinery in proper running condition.
- Fix damage to the machine immediately and always replace broken parts.
- Dispose of hazardous waste properly. Examples of potentially hazardous waste are used motor oil, fuel and fuel filters.
- **DO NOT** use food or plastic containers to dispose of hazardous waste.
- **DO NOT** pour waste, oil or fuel directly onto the ground, down a drain or into any water source.

MVH-304GHB — OPERATION AND SAFETY DECALS

Figure 1 displays the operation and safety decals as they appear on the reversible plate compactor. Should any of these decals become damaged or unreadable, contact the Multiquip Parts Department for a replacement set.



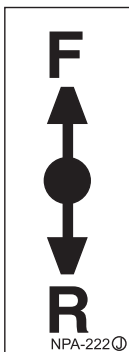
P/N: NPA-458



P/N: NPA-748

<p>OPERATIONAL CAUTION Prior to OPERATION: Check engine oil and fuel levels. If not enough, add to proper levels.</p> <p>To START engine: 1. Warm up engine at low speed for 3 to 5 minutes. 2. Operate machine at full throttle speed. (Incorrect clutch engagement cause clutch to burn.) 3. Use travel lever for forward and reverse motion. Do not push or pull travel lever strongly.</p> <p>To STOP engine: (for electric start engine) Move stop key switch to "OFF" position.</p> <p>To LIFT machine: Use lifting hook in center.</p> <p>Outdoor Storage Store until covered with plastic sheet in a moisture.</p> <p>MIKASA SANGYO CO., LTD. TOKYO JAPAN NPA-638</p>	<p>DANGER FUEL</p> <p>Fire Risk</p>	<p>DANGER FUEL</p> <p>Operate only in well-ventilated area</p>	<p>DANGER LIFTING</p> <p>Do not stand next to machine while lifting</p>	<p>DANGER LIFTING</p> <p>Do not use machine handle</p>	<p>CAUTION READ</p> <p>Use caution while operating in reverse</p>
	<p>WARNING NOISE</p> <p>Wear eye protection</p>	<p>WARNING HOT TEMP.</p> <p>Operate only in well-ventilated area</p>	<p>WARNING TRANSPORT</p> <p>Set transport wheel tightly by chain</p>	<p>CAUTION MOVING PARTS</p> <p>Do not touch moving parts in operation</p>	<p>CAUTION READ</p> <p>Read operator's manual carefully before use</p>

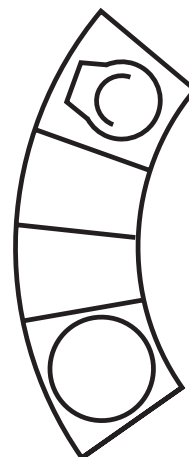
P/N: NPA-638



P/N: NPA-222



P/N: TBD



P/N: TBD

Figure 1. Operation and Safety Decals

MVH-304GHB —SPECIFICATIONS

Table 1. MVH-304DSB REVERSIBLE PLATE COMPACTOR SPECIFICATIONS

Centrifugal Force	39.2 kN (4000 kg)
Vibration Frequency	4200 vpm (70 Hz)
Traveling Speed	0 to 65.6 ft/min (0 to 20 m/min)
Plate Size (L x W)	34 x 24 in (61 x 86 cm)
Overall Length	63.8 in (1620 mm)
Overall Width	17.5 in (445 mm)
Overall Height	38.2 in (970 mm)
Operating Weight	748 lbs. (340 kg)
Lubricating Oil in Vibration Case	50.7 fl oz (1500 cc)

Table 2. ENGINE SPECIFICATIONS

Engine	Model	HONDA GX340K1SMX2
	Type	Air-cooled 4 stroke, Single Cylinder, OHV, Horizontal Shaft Gasoline Engine
	Bore X Stroke	2.90 in. X 2.30 in. (73 mm x 58 mm.)
	Displacement	23.70 cu-in (389 cm ³)
	Max Output	11.0 H.P./3600 R.P.M.
	Fuel Tank Capacity	1.72 gallons (6.5 liters)
	Fuel	Unleaded Automobile Gasoline
	Lube Oil Capacity	1.16 quarts (1.1 liters)
	Oil Alert System	Yes
	Speed Control Method	Centrifugal Fly-weight Type
	Starting Method	Recoil Start
Dimension (L x W x H)	15.0 x 17.7 X 17.4 in. (380 X 450 X 443 mm.)	
Dry Net Weight	68.4 lbs (31 Kg.)	

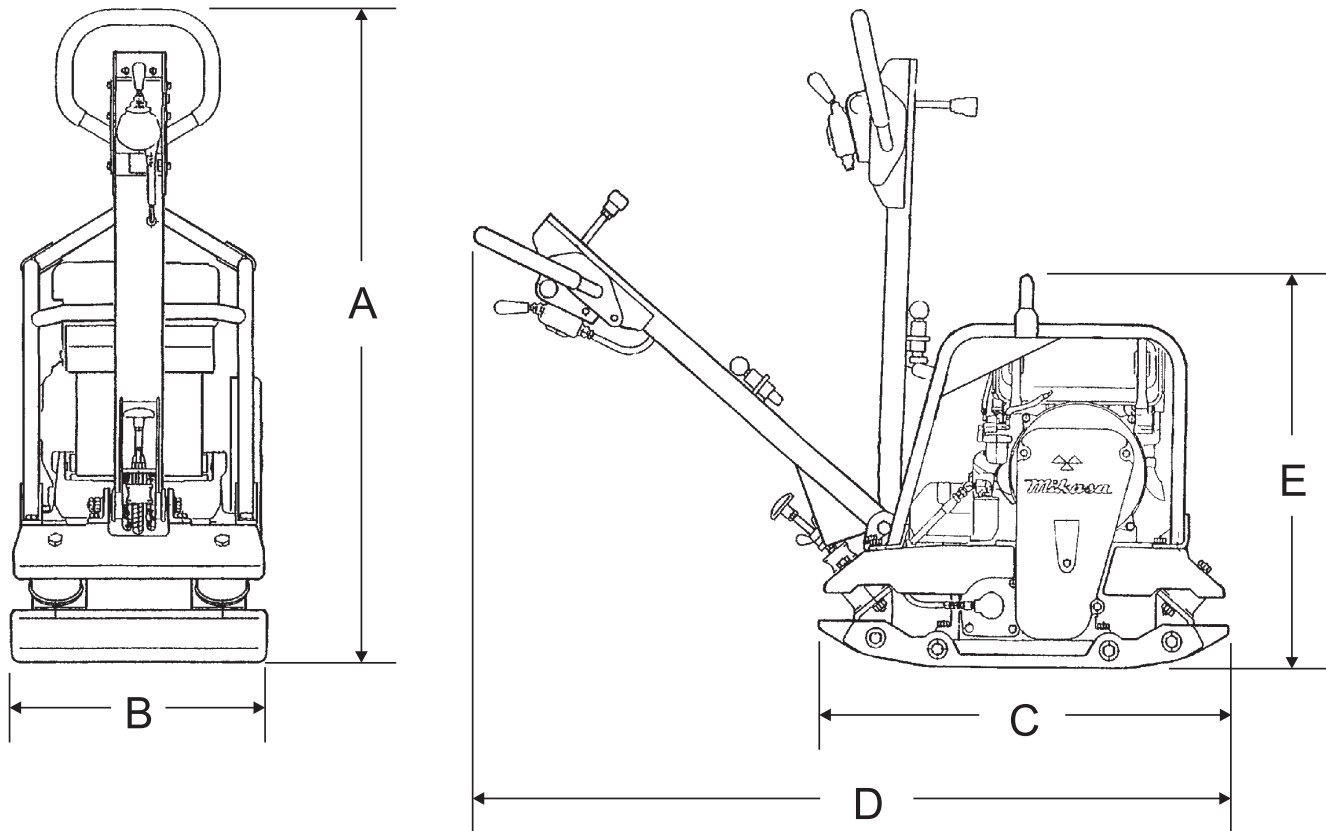


Figure 2. MVH-304GHB Reversible Plate Compactor Dimensions

TABLE 3. DIMENSIONS	
REF.	DIMENSIONS
A	53 in. (134.6 cm.)
B	24 in. (61 cm.)
C	34 in. (86 cm.)
D	63.8 in. (162 cm.)
E	38.2 in. (97 cm.)

Plate Compactor

The Mikasa MVH-304GHB is a walk behind, reversible plate compactor designed for the compaction of sand, clay and asphalt. This plate compactor is a powerful compacting tool capable of applying a tremendous force in consecutive high frequency vibrations to a soil surface. Its applications include soil compacting for road, embankments and reservoirs as well as backfilling for gas pipelines, water pipelines and cable installation work.

Vibratory Plates

The vibratory plates of the MVH-304GHB produce low amplitude high frequency vibrations, designed to compact granular soils.

The resulting vibrations cause forward motion. The engine and handle are vibration isolated from the vibrating plate. The heavier the plate, the more compaction force it generates.

Reversible Vibratory Plates

Reversible vibratory plates have two eccentric weights that allow a smooth transition for forward and reverse travel, plus increased compaction force as the result of dual weights.

Due to their weight and force, reversible plates are ideal for semi-cohesive soils.

Frequency/Speed

The compactor's vibrating plate maximum frequency is 4200 vpm (vibrations per minute). The forward and reverse travel speed of the compactor is approximately 66 ft./minute (20 meters/minute).

Engine

The Mikasa MVH-340GHB Plate Compactor is equipped with an air-cooled, 4-stroke, single-cylinder HONDA GX340K1SMX2 gasoline engine. The HONDA GX340K1SMX2 has a built-in oil alarm engine shut-down feature. In the event of **low oil** or **no oil**, the engine will automatically shut down.

Controls

Before starting the MVH-340GHB Plate Compactor, identify and understand the function of the controls and components as indicated in Figure 3.

MVH-304GHB— PLATE COMPACTOR COMPONENTS

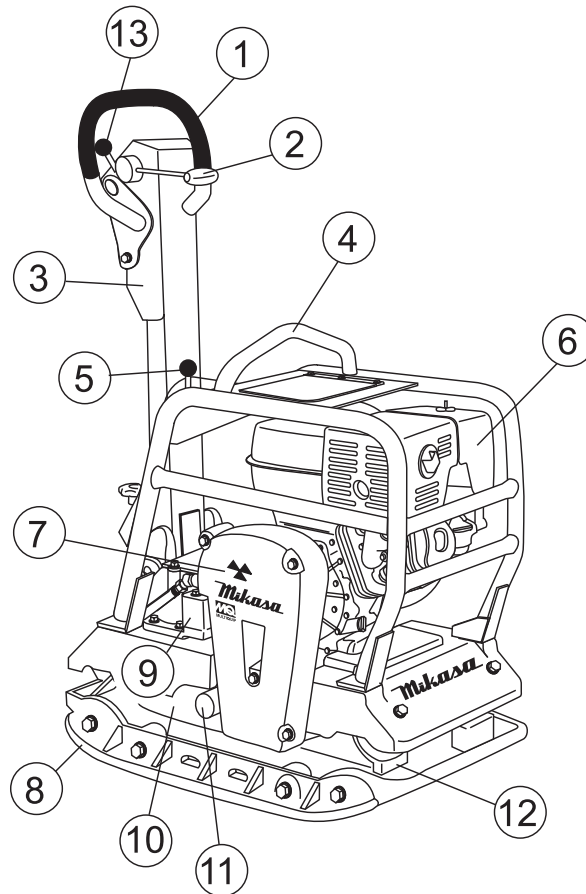


Figure 3. MVH-304GHB Reversible Plate Compactor Components

Figure 3 illustrates the location of the major components for the MVH-304GHB Reversible Plate Compactor. The function of each component is described below:

1. **Hand Grip** – When operating the compactor use this hand grip to maneuver the compactor.
2. **Forward & Reverse Lever** – *Push* the lever forward, the compactor will move in a forward direction, *pull* the lever backwards, the compactor will move in backwards direction. Placing the lever in the middle (midway) will cause the compactor not to move (neutral).
3. **Handle Bar** – When operating the compactor, this handle is to be in the downward position. When the compactor is to be *stored*, move the handle bar to the upright position.
4. **Guard Hook** - Used to lift the machine with crane or other lifting device.
5. **Stopper** - Locks the handle in place in the upward position for stowing.
6. **Engine** – This plate compactor uses a **HONDA GX340K1SMX2** engine. Refer to the owner’s manual for engine information and related topics.
7. **Belt Cover** – Remove this cover to gain access to the V-belts. **NEVER** run the compactor without the V-belt cover. If the V-belt cover is not installed, the possibility exist that your hand may get caught between the V-belt and clutch, thus causing serious injury and bodily harm.
8. **Base Plate** – Designed to compact sand, clay, and asphalt.
9. **Oil Tank** – Fill with proper grade of engine oil.
10. **Vibration Case** – Encloses the eccentric, gears and counter weights.
11. **Hydraulic Cylinder** – Activated by moving the travel lever. The cylinder controls the direction of movement by the plate compactor.
12. **Shock Absorber** – Protects plate compactor from damage by absorbing vibration during operation.
13. **Throttle Lever** – Controls the speed of the plate compactor. Place straight vertically to start, push fully counterclockwise for full throttle and fully clockwise to stop plate compactor.

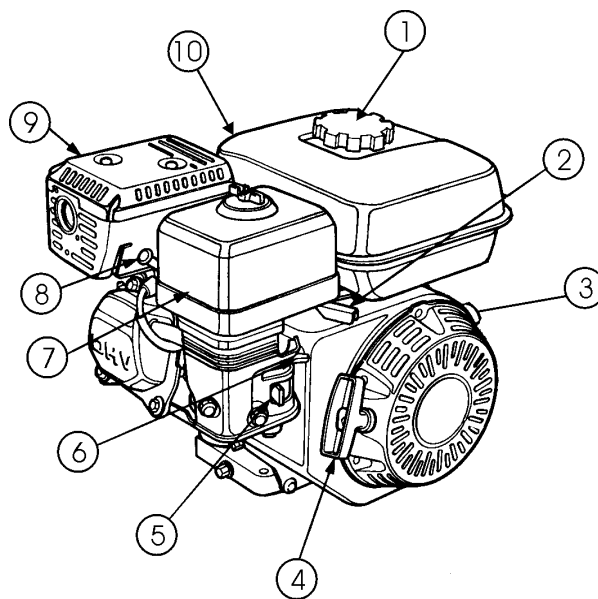


Figure 4. Engine Controls and Components

INITIAL SERVICING

The engine (Figure 4) must be checked for proper lubrication and filled with fuel prior to operation. Refer to the manufacturer's engine manual for instructions & details of operation and servicing. The engine shown above is a **HONDA** engine, operation for other types of engines may vary somewhat.

1. **Fuel Filler Cap** – Remove this cap to add unleaded gasoline to the fuel tank. Make sure cap is tightened securely. **DO NOT** over fill.

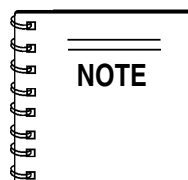


! DANGER

Adding fuel to the tank should be done only when the engine is stopped and has had an opportunity to cool down. In the event of a fuel spill, **DO NOT** attempt to start the engine until the fuel residue has been completely wiped up, and the area surrounding the engine is dry.

2. **Throttle Lever** – Used to adjust engine RPM speed (lever advanced forward **SLOW**, lever back toward operator **FAST**).
3. **Engine ON/OFF Switch** – ON position permits engine starting, OFF position stops engine operations.
4. **Recoil Starter (pull rope)** – Manual-starting method. Pull the starter grip until resistance is felt, then pull briskly and smoothly.
5. **Fuel Valve Lever** – **OPEN** to let fuel flow, **CLOSE** to stop the flow of fuel.

6. **Choke Lever** – Used in the starting of a cold engine, or in cold weather conditions. The choke enriches the fuel mixture.
7. **Air Cleaner** – Prevents dirt and other debris from entering the fuel system. Remove wing-nut on top of air filter canister to gain access to filter element.



Operating the engine without an air filter, with a damaged air filter, or a filter in need of replacement will allow dirt to enter the engine, causing rapid engine wear.

8. **Spark Plug** – Provides spark to the ignition system. Set spark plug gap to 0.6 - 0.7 mm (0.028 - 0.031 inch) Clean spark plug once a week.
9. **Muffler** – Used to reduce noise and emissions.

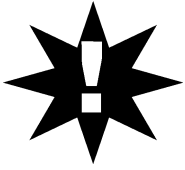


! WARNING

Engine components can generate extreme heat. To prevent burns, **DO NOT** touch these areas while the engine is running or immediately after operating. **NEVER** operate the engine with the muffler removed.

10. **Fuel Tank** – Holds unleaded gasoline. For additional information refer to engine owner's manual.

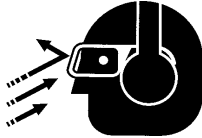
CAUTION



NEVER operate the compactor in a confined area or enclosed area structure that does not provide ample **free flow of air**.



ALWAYS wear approved eye and hearing protection before operating the compactor.



Before Starting

1. Read safety instructions at the beginning of manual.
2. Familiarize yourself with the operating and control elements of the machine and the working environment. This includes obstacles in the working area, bearing capacity of the ground and the necessary safety provisions.
3. Check the air filter for dirt and dust. If air filter is dirty, replace air filter with a new one as required.
4. Check carburetor for external dirt and dust. Clean with dry compressed air.
5. Check fastening nuts and bolts for tightness.
6. Understand the geographical features and regulations of the job site.
7. Clean the compactor, removing dirt and dust. Particularly, the bottom of the plate, engine cooling air inlet.



Engine Oil Check

1. To check the engine oil level, place the compactor on secure level ground with the engine stopped.
2. Remove the filler dipstick from the engine oil filler hole (Figure 5) and wipe clean

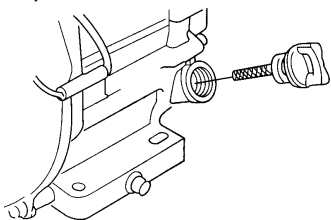


Figure 5. Engine Oil Dipstick (Removal)

3. Insert and remove the dipstick without screwing it into the filler neck. Check the oil level shown on the dipstick.
4. If the oil level is low (Figure 6), fill to the edge of the oil filler hole with the recommended oil type (Table 4). Maximum oil capacity is 1.16 quarts (1.1 liters).

Table 4. Oil Type

Season	Temperature	Oil Type
Summer	25°C or Higher	SAE 10W-30
Spring/Fall	25°C~10°C	SAE 10W-30/20
Winter	0°C or Lower	SAE 10W-10

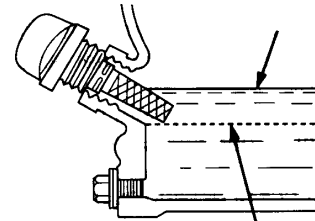


Figure 6. Engine Oil Dipstick (Oil Level)

Explosive Fuel

DANGER



Motor fuels are highly flammable and can be dangerous if mishandled. **DO NOT** smoke while refueling. **DO NOT** attempt to refuel the compactor if the engine is **hot!** or **running**.

Checking The Fuel

1. Remove the fuel cap located on top of fuel tank.
2. Visually inspect to see if fuel level is low. If fuel is low, replenish with unleaded gasoline (Figure 7).
3. When refueling, be sure to use a strainer for filtration. **DO NOT** top-off fuel. Wipe up any spilled fuel.

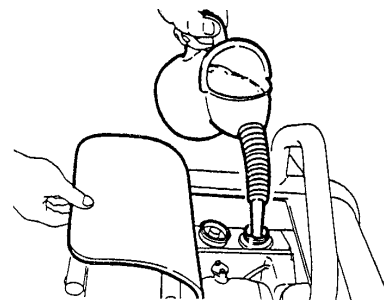
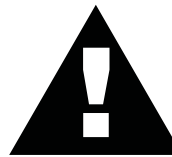


Figure 7. Refueling

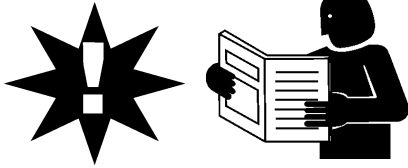
DANGER



Fuel spillage on a hot engine can cause a **fire** or **explosion**. If fuel spillage occurs, wipe up the spilled fuel completely to prevent fire hazards. **NEVER!** smoke around or near the compactor.



CAUTION :



DO NOT attempt to operate the compactor until the Safety, General Information and Inspection sections of this manual have been **read and thoroughly understood**.

This section is intended to assist the operator with the **initial start-up** of the compactor. It is extremely important that this section be read carefully before attempting to use the compactor in the field.

Refer to Figures 3 and 4 for the location of controls and components.

Adjusting Handle Height

The height of the handle is adjustable for your comfort .

1. Loosen the butterfly screw (Figure 8).
2. Turn the grip clockwise to raise the handle or counterclockwise to lower the handle.
3. When the handle is raised to the desired height, tighten the butterfly screw.

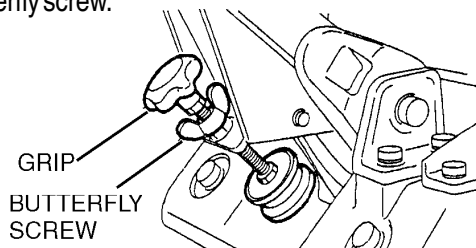


Figure 8. Handle Height Adjustment

Starting the Engine (HONDA engine)

1. Place the engine **fuel valve lever** (Figure 9) to the "ON" position.

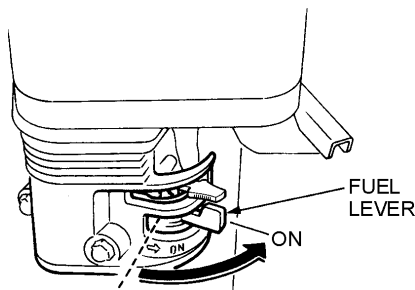


Figure 9. Engine Fuel Valve Lever (ON Position)

2. Move the throttle lever to the **START** position by opening it to about 20 degrees (Figure 10).

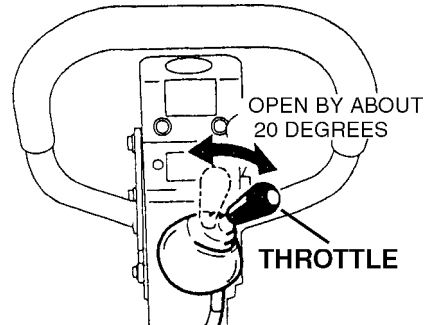


Figure 10. Throttle Lever (Start Position)

3. Place the **choke lever** (Figure 11) in the "OPEN" position if starting a **cold** engine.

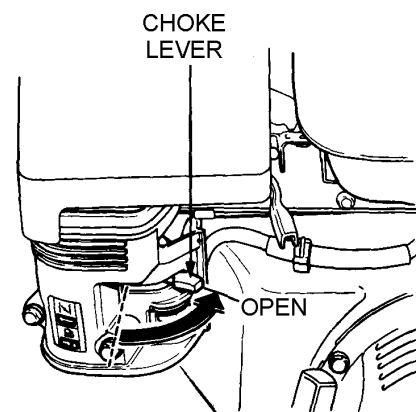


Figure 11. Engine Choke Lever (Open)

4. Place the **choke lever** (Figure 12) in the "CLOSED" position if starting a **warm engine** or the **temperature is warm**.

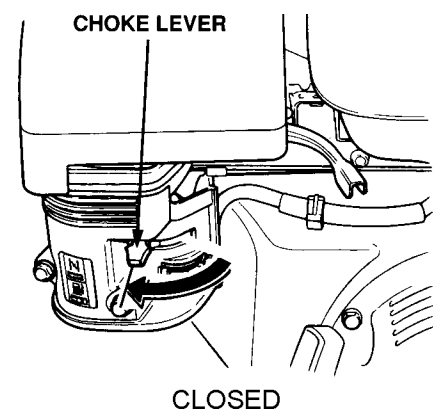


Figure 12. Engine Choke Lever (Closed)

- Place the **engine ON/OFF switch** (Figure 13) in the "**ON**" position.

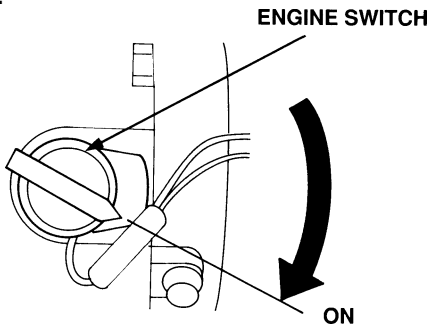


Figure 13. Engine ON/OFF Switch (ON Position)

- Grasp the starter grip (Figure 14) and slowly pull it out. The resistance becomes the hardest at a certain position, corresponding to the compression point. Pull the starter grip briskly and smoothly for starting.

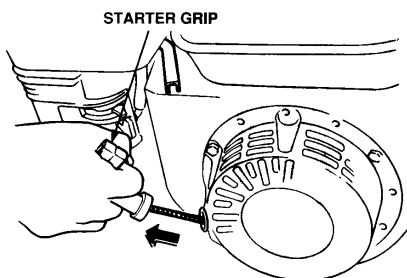


Figure 14. Starter Grip

- If the engine has started, slowly return the choke lever (Figure 15) to the **CLOSED** position. If the engine has not started repeat steps 1 through 6.

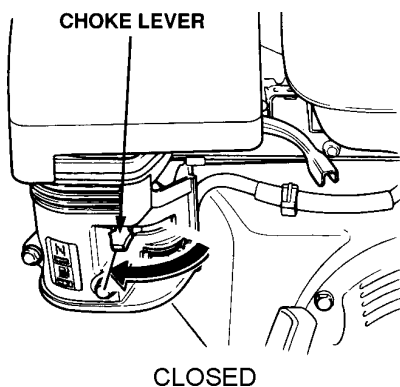
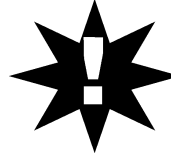


Figure 15. Choke Lever (Closed)

- Before the compactor is placed into operation, run the engine for several minutes. Check for fuel leaks, and noises that would be associated with a loose component.

TRAVELING

CAUTION :



Make sure to follow all safety rules referenced in the safety section of this manual before operating compactor. Keep work area clear of debris and other objects that could cause damage to the compactor or bodily injury.

- Grasp the compactor's hand grip (Figure 16), and move the throttle lever (Figure 16) quickly to the **fast** position.
- With the throttle lever in the fast position, the engine speed should be around 2,300 RPM, therefore engaging the centrifugal clutch

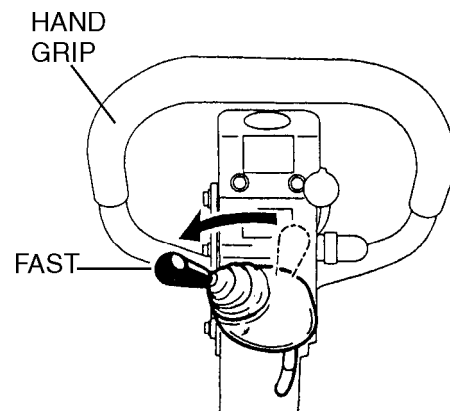
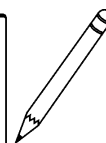
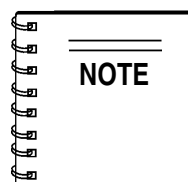


Figure 16. Throttle Lever ((Fast)



ALWAYS move the throttle lever quickly without hesitation, because increasing the engine speed slowly causes the clutch to slip.

- To make the compactor move in the forward direction push the travel lever (Figure 17) forward

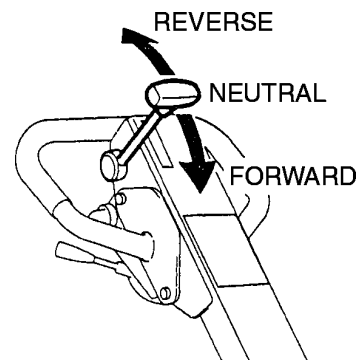


Figure 17. Travel Lever

- To make the compactor move in the reverse direction pull the travel lever (Figure 17) backwards.
- Firmly gasp the compactor's hand grip, the compactor will begin moving in the desired position when the direction lever has been placed in the desired position.
- Slowly walk behind the compactor and be on the lookout for any large objects or foreign matter that might cause damage to the compactor or bodily injury.
- If travel lever is placed in the neutral position, the machine will vibrate in place.
- To move the compactor laterally, hold the hand grip firmly and swing compactor. Do not swing compactor while gripping the travel lever.

STOPPING

- Return the throttle lever to the START position. Allow the machine to cool down for 2 to 3 minutes.
- Turn the throttle lever to the **STOP** position (Figure 18) to stop the engine.

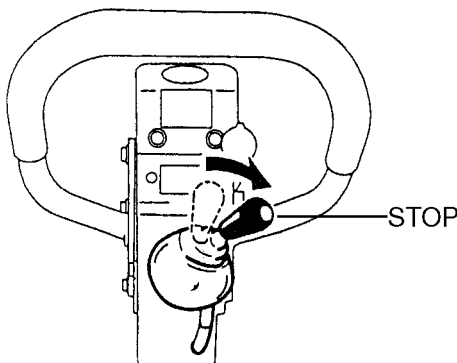


Figure 18. Throttle Lever (Stop)

- Turn the engine ON/OFF switch to the "OFF" position (Figure 19).

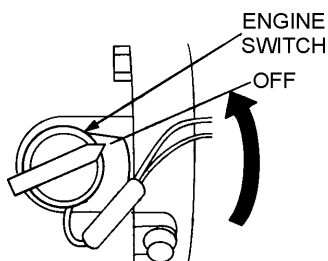


Figure 19. Engine ON/OFF Switch (OFF)

- Place the **fuel shut-off lever** (Figure 20) in the **OFF** position.

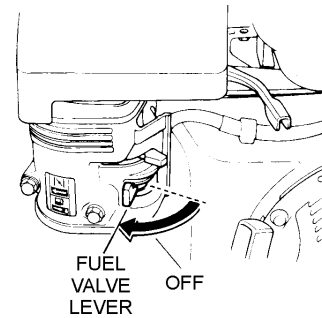


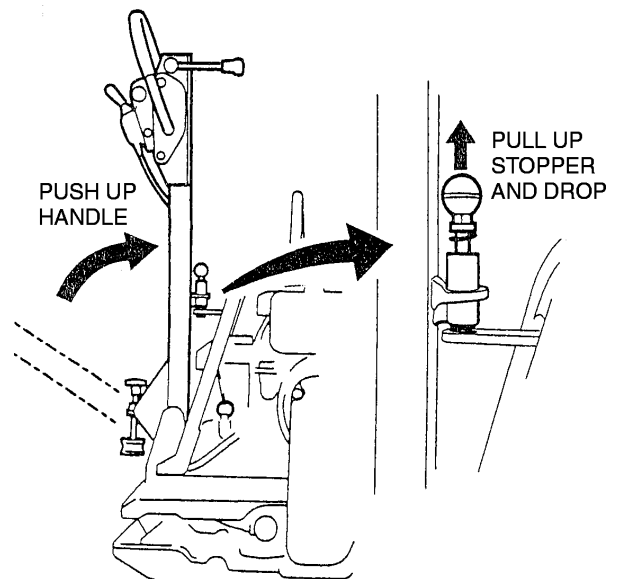
Figure 20. Fuel Valve Lever (OFF)

Emergency Shutdown

- Move the throttle lever quickly to the **STOP** position, and place the engine ON/OFF switch in the **OFF** position.

STOWING THE HANDLE

- Push up the handle (Figure 21).
- Pull the stopper grip upward into the hole of the guard frame to lock the handle.



Figure

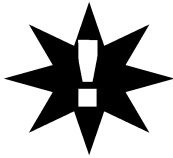
LIFTING

1. Use a crane or lift to load and unload the machine. A skilled crane operator is required to perform the job.
2. When lifting the machine, check for any damaged or loose bolts, lifting hooks, and shock mounts.
3. Check any damaged or loose bolts in the guard frame to avoid machine sliding off.
4. Make sure that the machine is shut off before machine is lifted.
5. Use reliable cable for lifting.
6. Always lift the machine vertically and keep the machine away from workers and animals.
7. Do not lift the machine higher than the required height.

TRANSPORTING

1. Always make sure that the machine is shut off while being transported.
2. Check that the fuel cap is properly closed and tightened.
3. When traveling long distances or on rugged terrain, drain the fuel of the machine before transporting.
4. Tie down the machine securely on the transportation so that it will not move or topple over.

CAUTION:



Inspection and other services should **always** be carried out on hard and level ground with the engine shutdown.

Inspection and Maintenance Service Tables.

- To make sure your plate compactor is always in good working condition before using, carry out the maintenance inspection in accordance with Tables 5 through 7.

TABLE 5. MVH-304GHB MACHINE INSPECTION

ITEM	HOURS OF OPERATION	REMARKS
Loose or Missing Screws	Every 8 hours (every day)	
Damaged Parts	Every 8 hours (every day)	
Function of Controlling System Part	Every 8 hours (every day)	
Hydraulic System Leak	Every 100 hours	
Vibrator Oil Check	Every 100 hours	See page 23
Vibrator Oil Replacement	Every 300 hours	See page 23
Hydraulic Oil Check	Every 100 hours	See page 23
Hydraulic Oil Replacement	First after 200 hours, then every 1,000 hours	See page 24
V-belt (clutch) Check	Every 200 hours	See page 23

CAUTION:



These inspection intervals are for operation under normal conditions. Adjust your inspection intervals based on the number hours plate compactor is in use, and particular working conditions. Fuel piping and connections should be replaced every 2 years.

TABLE 6. MVH-304GHB ENGINE CHECK

ITEM	HOURS OF OPERATION
Spark Plug Check	Every 40 hours (every week)
Oil or Fuel Leak	Every 8 hours (every day)
Tightness of Fastening Threads	Every 8 hours (every day)
Engine Oil Check and Replenishment	Every 8 hours (every day) (Replenish to specified maximum level)
Engine Oil Replacement	After first 25 hours then every 50 to 100 hours
Air Filter Cleaning	Every 100 hours
See separate engine manual for details on engine check.	

Daily Service

- Check for leakage of fuel or oil.
- Check for loose screws including tightness. See Table 7 below (tightening torque), for retightening:

**TABLE 7. TIGHTENING TORQUE
(in. kg/cm) Diameter**

Material	6mm	8mm	10mm	12mm	14mm	16mm	18mm	20mm
4T	70	150	300	500	750	1,100	1,400	2,000
6-8T	100	250	500	800	1,300	2,000	2,700	3,800
11T	150	400	800	1,200	2,000	2,900	4,200	5,600
*	100	300~ 350	650 ~ 700					

* (In case counter-part is of aluminum)
(Threads in use with this machine are all right handed)
Material and quality of material is marked on each bolt, and screw.

- Remove soil and clean the bottom of compaction plate.
- Check hydraulic pump, piping and hose for any leakage. A loosened hydraulic hose can be a cause for leakage. Check hydraulic hose connections with wrench applied for tightness.
- Check engine oil.

Spark Plug

1. Remove and clean the spark plug (Figure 22).
2. Adjust the spark gap to 0.028 ~0.031 inch (0.6~0.7 mm). This unit has electronic ignition, which requires no adjustments.

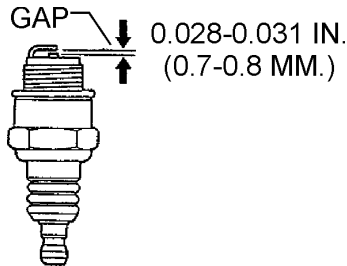


Figure 22. Spark Plug Gap

Engine Oil Replacement

1. Replace engine oil, first in 25 hours of operation and every 50 to 100 hours afterwards.
2. Drain the engine oil when the oil is **warm** as shown in Figure 23.
3. Remove the oil drain bolt and sealing washer and allow the oil to drain into a suitable container.
4. Replace engine oil with recommended type oil as listed in Table 4. Engine oil capacity is 1.16 quarts (1.1 liters). **DO NOT** overfill.
5. Install drain bolt with sealing washer and tighten securely.

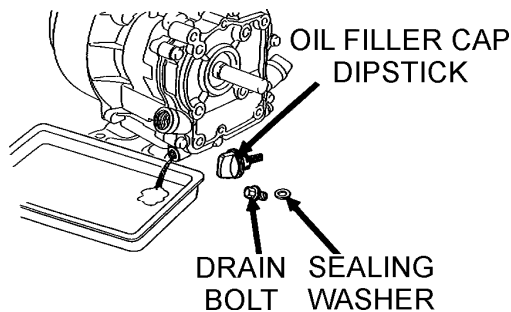


Figure 23. Engine Oil (Draining)

Air Filter

1. Remove the air cleaner cover and foam filter element as shown in Figure 24.
2. Tap the paper filter element (Figure 24) several times on a hard surface to remove dirt, or blow compressed air [not exceeding 30 psi (207 kPa, 2.1 kgf/cm²)] through the filter element from the air cleaner case side. **NEVER** brush off dirt. Brushing will force dirt into the fibers. Replace the paper filter element if it is excessively dirty.
3. Clean foam element in warm, soapy water or nonflammable solvent. Rinse and dry thoroughly. Dip the element in clean engine oil and completely squeeze out the excess oil from the element before installing.

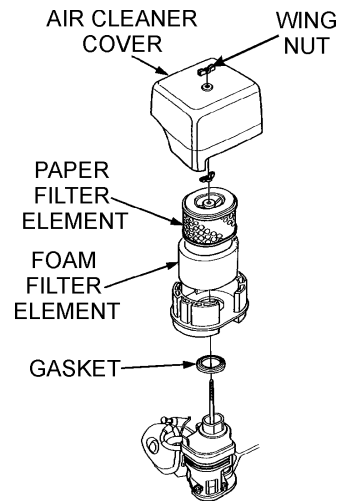
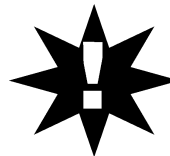


Figure 24. Engine Air Filter

CAUTION:



NEVER attempt to check the V-belt with the engine running. Severe injury can occur if your hand gets caught between the V-belt and the clutch (Figure 25). Always use safety gloves.

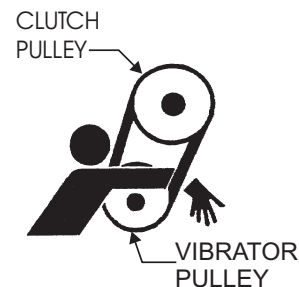


Figure 25. V-Belt Hazard

Checking and Replacing the V-Belt and Clutch

1. After 200 hours of operation, remove the belt cover to check the V-belt tension (Figure 26). Tension is proper if the belt bends about 10 mm when depressed strongly with finger between shafts. Loose or worn V-belts reduces power transmission efficiency, causing weak compaction and reduces the life of the belt itself.

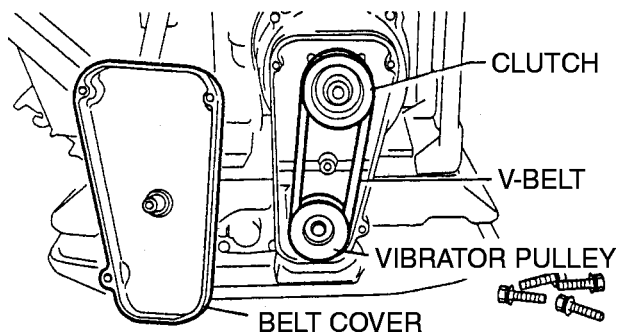


Figure 26. V-Belt Check

● Replacing the V-belt

Remove the belt cover. Engage an offset wrench (19 mm) or the like to vibrator pulley (lower) fastening bolt. Engage waste cloth or the like at midway of V-belt on the left side and while pulling it back strongly, rotate the offset wrench clockwise so that the V-belt will come off.

● Reinstalling the V-belt

Engage V-belt to lower vibrator pulley and push the V-belt to left side of upper clutch and, in the same manner as in removal, rotate offset wrench clockwise so that the V-belt goes back on.

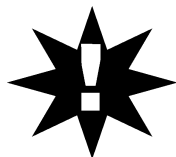
● Checking Clutch

Check the clutch simultaneously with V-belt checking. With belt cover removed, check outer drum of the clutch for seizure and "V" groove for wear or damage with your eyes. Clean the "V" groove as necessary. Wear of lining or shoe should be checked with running check. If the shoe is worn, power transmission becomes deficient and slipping will result.

● Replacing Clutch

Remove V-belt. Remove bolt at engine power output by giving a shock to an engaged wrench (tapping with hammer or the like) and rotating bolt counterclockwise. Remove clutch with a pulley extractor. To reinstall, reverse the procedure.

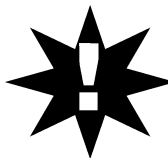
CAUTION:



Whenever the compactor's vibration becomes weak or lost during normal operation regardless of operation hours, check the V-belt and clutch immediately.

Vibrator Oil Level Check

CAUTION:



Always clean the area around the vibrator oil level check hole before removing oil check plug. This will prevent dirt and debris from entering the system.

1. In every 100 hours of operation, with the machine positioned horizontally, remove vibrator oil level check plug (Figure 27) off vibrator (19 mm wrench) and see if oil is up to filler port. Be sure to clean area around check hole to prevent dirt and dust from entering.
2. In every 300 hours of operation, replace oil (capacity 1,500 cc). For draining oil through level check hole, have the machine inclined with a sleeper or the like placed under the compaction plate on opposite side.

* Use engine oil 10W-30 for this lubrication.

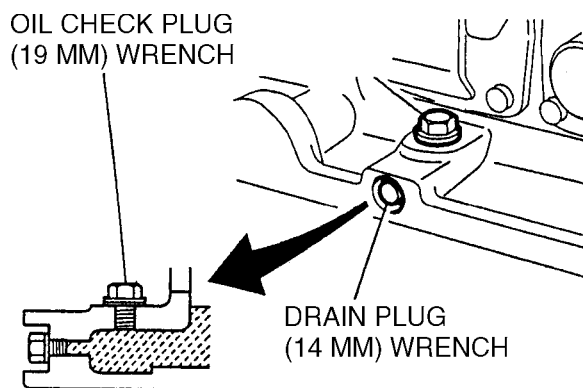


Figure 27 . Vibrator Oil Maintenance

Hydraulic Oil

1. Check hydraulic oil in every 100 hours of operation. With handle bar positioned vertically (storage position), remove bleeder plug (Figure 28) off the top of hydraulic pump and check for proper oil level.
2. Replace hydraulic oil after first 200 hours and in every 1,000 hours of operation.

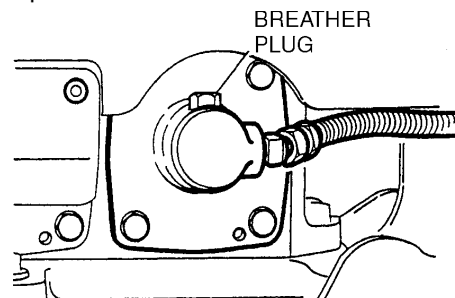
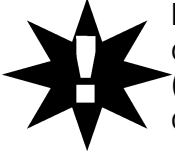


Figure 28. Bleeder Plug

CAUTION:

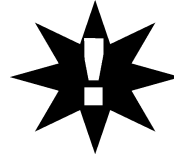


Make sure hydraulic oil is at a normal safe operating level. **DO NOT** over fill. Over filling (excessive oil) will cause excess oil to blow out of breather plug.

Replacing Hydraulic Oil

1. Remove the drain plug (Figure 29) at the bottom of the oil tank with a 6 mm hex wrench and drain the hydraulic oil.
2. Clean the filter with light oil.
3. Reinstall the drain plug to the oil tank. Apply seal tape or Roctite #575 to thread portion.
4. Fill tank with hydraulic oil. (Capacity: About 2,500 cc). Use **Shell Tellus Oil #46** or equivalent.
5. After filling tank, temporarily install cover. Loosen bleeder plug located at the top of the cylinders on side of vibrator (Figure 28). Air remaining in the circuit will be forced out of the bleeder plug.
6. Tighten the breather plug. Check oil level in the tank again.
7. Install the cover of oil tank. Coat packing with liquid packing such as Threebond #1215. Use loctite #242 for mounting screw.

CAUTION :



Wear **safety glasses** or **face mask**, **protective clothes**, and **rubber gloves** when working with battery.



Troubleshooting

See Tables 8 (engine) and 9 (plate compactor) on proceeding pages for engine and plate compactor troubleshooting guide.

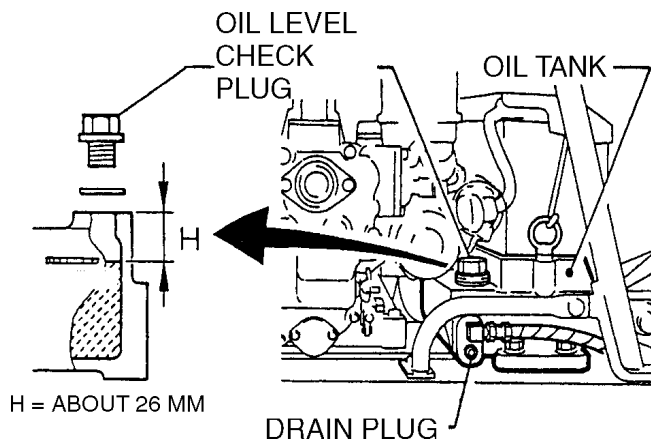


Figure 29. Hydraulic Oil Maintenance

MVH-304GHB—TROUBLESHOOTING (ENGINE)

Practically all breakdowns can be prevented by proper handling and maintenance inspections, but in the event of a breakdown, please take a remedial action following the

diagnosis based on the Engine Troubleshooting (Table 8) information shown below and on the proceeding page. If the problem cannot be remedied, please leave the unit just as it is and consult our company's business office or service plant.

TABLE 8. ENGINE TROUBLESHOOTING

SYMPTOM	POSSIBLE CAUSE	SOLUTION
Difficult to start, "fuel is available, but no SPARK at spark plug".	Spark plug bridging?	Check gap, insulation or replace spark plug.
	Carbon deposit on spark plug?	Clean or replace spark plug.
	Short circuit due to deficient spark plug insulation?	Check spark plug insulation, replace if worn.
	Improper spark plug gap?	Set to proper gap.
Difficult to start, "fuel is available, and SPARK is present at the spark plug".	ON/OFF switch is shorted?	Check switch wiring, replace switch.
	Ignition coil defective?	Replace ignition coil.
	Improper spark gap, points dirty?	Set correct spark gap and clean points.
	Condenser insulation worn or short circuiting?	Replace condenser.
	Spark plug wire broken or short circuiting?	Replace defective spark plug wiring.
Difficult to start, "fuel is available, spark is present and compression is normal"	Wrong fuel type?	Flush fuel system, and replace with correct type of fuel.
	Water or dust in fuel system?	Flush fuel system.
	Air cleaner dirty?	Clean or replace air cleaner.
Difficult to start, "fuel is available, spark is present and compression is low"	Suction/exhaust valve stuck or protruded?	Re-seat valves.
	Piston ring and/or cylinder worn?	Replace piston rings and or piston.
	Cylinder head and/or spark plug not tightened properly?	Torque cylinder head bolts and spark plug.
	Head gasket and/or spark plug gasket damaged?	Replace head and spark plug gaskets.
No fuel present at carburetor.	Fuel not available in fuel tank?	Fill with correct type of fuel.
	Fuel cock does not open properly?	Apply lubricant to loosen fuel cock lever, replace if necessary.
	Fuel filter clogged?	Replace fuel filter.
	Fuel tank cap breather hole clogged?	Clean or replace fuel tank cap.
	Air in fuel line?	Bleed fuel line.

MVH-304GHB—TROUBLESHOOTING (ENGINE)

TABLE 8. ENGINE TROUBLESHOOTING (CONTINUED)

SYMPTOM	POSSIBLE CAUSE	SOLUTION
"Weak in power" compression is proper and does not misfire.	Air cleaner not clean?	Clean or replace air cleaner
	Improper level in carburetor?	Check float adjustment, re-build carburetor.
	Defective Spark plug?	Clean or replace spark plug.
	Defective Spark plug?	
"Weak in power" compression is proper but misfires.	Water in fuel system?	Flush fuel system, and replace with correct type of fuel.
	Dirty spark plug?	Clean or replace spark plug.
	Ignition coil defective?	Replace ignition coil.
Engine overheats.	Spark plug heat value improper?	Replace with correct type of spark plug.
	Correct type of fuel?	Replace with correct type of fuel
	Cooling fins dirty?	Clean cooling fins.
Rotational speed fluctuates.	Governor adjusted correctly?	Adjust governor.
	Governor spring defective?	Replace governor spring.
	Fuel flow restricted?	Check entire fuel system for leaks or clogs.
Recoil starter malfunction.	Recoil mechanism clogged with dust and dirt?	Clean recoil assembly with soap and water.
	Spiral spring loose?	Replace spiral spring.

MVH-304GHB—TROUBLESHOOTING (PLATE COMPACTOR)

Practically all breakdowns can be prevented by proper handling and maintenance inspections, but in the event of a breakdown, please take a remedial action following the

diagnosis based on the Compactor Troubleshooting (Table 9) information shown below and on the proceeding page. If the problem cannot be remedied, please leave the unit just as it is and consult our company's business office or service plant.

TABLE 9. TROUBLESHOOTING COMPACTOR

SYMPTOM	POSSIBLE CAUSE	SOLUTION
Travel speed low and vibration weak.	Clutch slips?	Adjust or replace clutch.
	V-belt slips?	Adjust or replace V-belt.
	Excessive Oil in vibrator?	Fill to correct level..
	Trouble in vibrator internals?	Check vibrator assembly for any worn or defective parts, replace any defective parts.
	Aeration in hydraulic oil for for travel reversing syste.?	Purge air in hydraulic oil. (Bleed plug)
	Engine speed incorrect?	Set engine speed to correct RPM.
Travels forward or backward but unable to switch direction.	Travel reversing system inoperative.?	Check entire travel system.
	Reversing lever installation correct?	Clean installation of reversing lever.
	Broken or defective oil hose?	Replace oil hose.
	Aeration in hydraulic oil for for travel reversing syste.?	Purge air in hydraulic oil. (Bleed plug)
	Excessive oil in reversing system?	Fill to correct level..
	Selector valve clogged with trash?	Clean selector valve.
	Cylinder piston bearing failure?	Check piston bearing in cylinder for leakage at USH packing.
Does not travel in forward or reverse.	V-belt dis-engaged or slips?	Engage V-belt, adjust or replace.
	Clutch slips?	Adjust clutch, replace if necessary.
	Pump input shat key or adapter key-way damaged?	Replace input shatkey or adapter key-way
	Cylinder piston bearing failure?	Check piston bearing in cylinder for leakage at USH packing.
Reversing lever operating resistance great.	Excessive hydraulic oil?	Fill to correct level.

EXPLANATION OF CODE IN REMARKS COLUMN

How to read the marks and remarks used in this parts book.

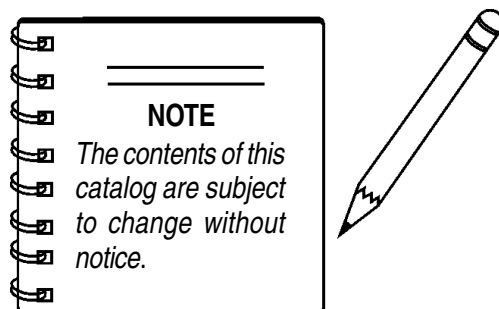
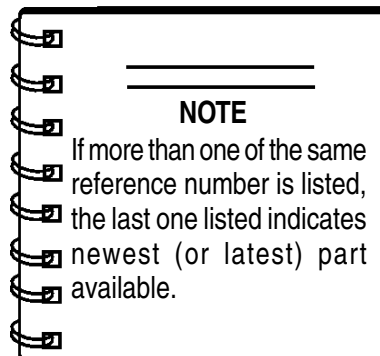
Items Found In the “Remarks” Column

Serial Numbers-Where indicated, this indicates a serial number range (inclusive) where a particular part is used.

Model Number-Where indicated, this shows that the corresponding part is utilized only with this specific model number or model number variant.

Items Found In the “Items Number” Column

MAII parts with the same symbol in the number column, *, #, +, %, or ■, belong to the same assembly or kit

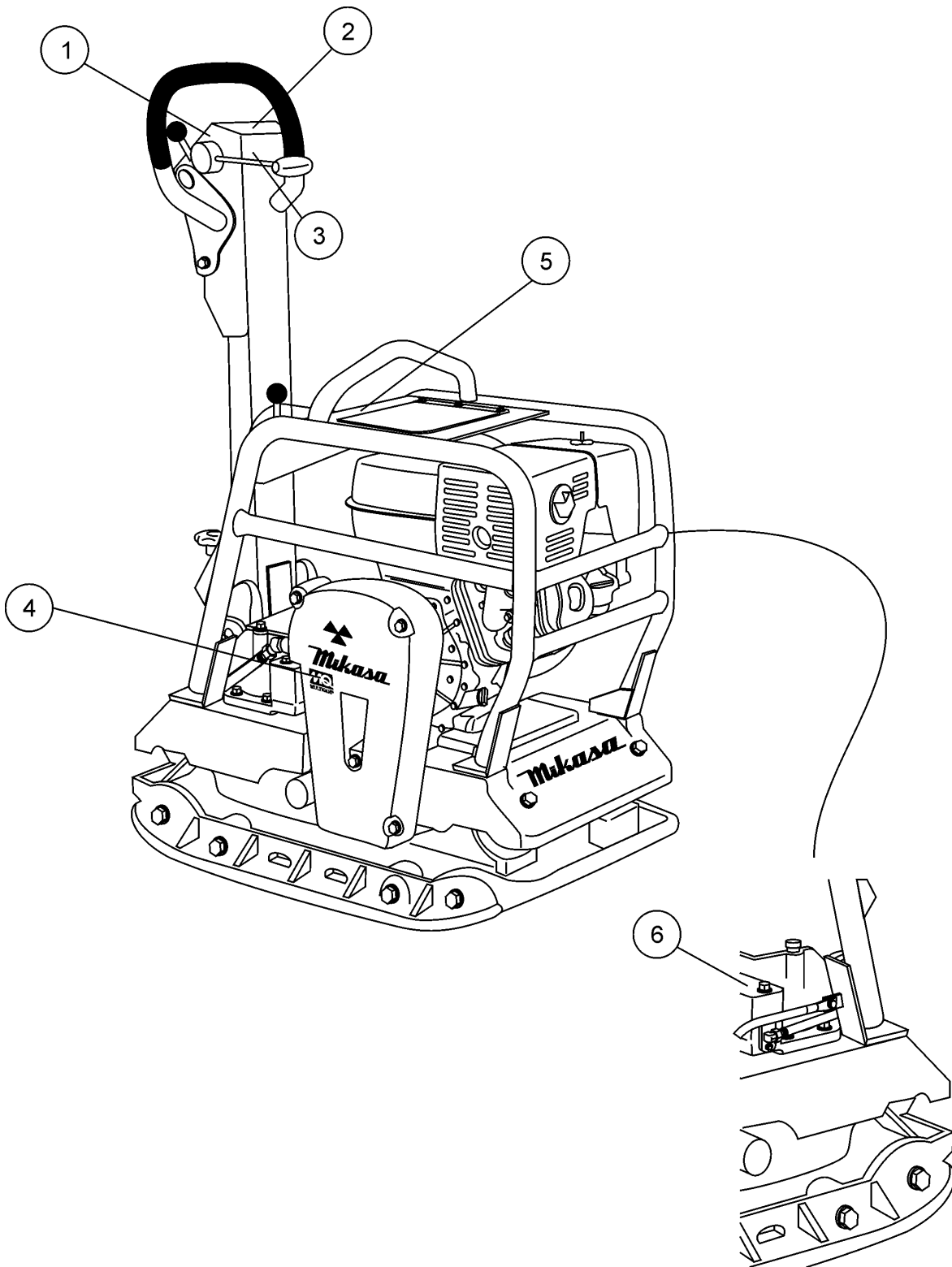


MVH-304GHB1 TO 5 UNITS WITH HONDA GX340K1SMX2 ENGINE

Qty.	P/N	Description
5	17210ZE3505	ELEMENT AIR CLEANER
5	17218ZE3505	FILTER OUTER
5	9807956846	SPARK PLUG (HONDA)
1	17620ZH7023	CAP, FUEL TANK (HONDA)
2	17672ZE2W01	FUEL, FILTER
1	070200353	V-BELT
1	456449280	FILTER, OIL TANK
1	956100030	THROTTLE WIRE

MVH-304GHB — DECAL PLACEMENT

DECAL PLACEMENT



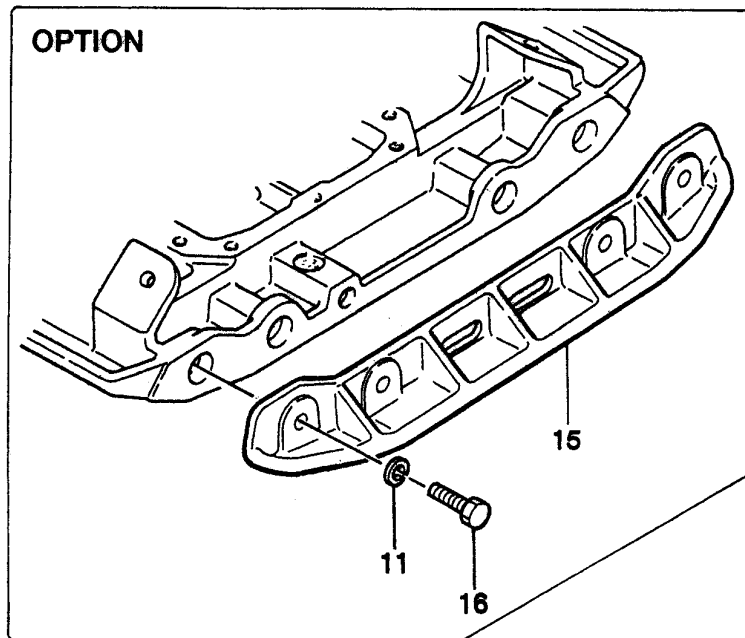
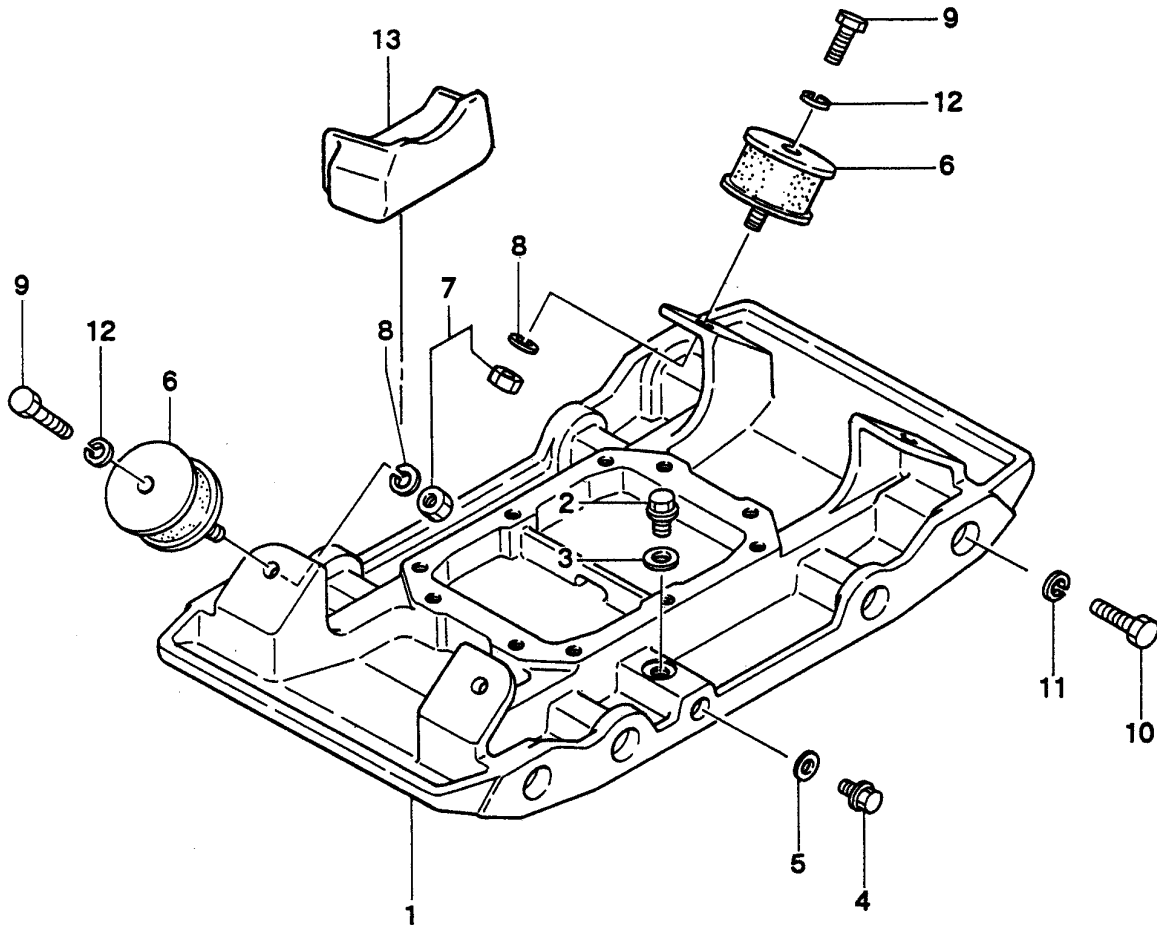
MVH-304GHB — DECAL PLACEMENT

DECAL PLACEMENT

<u>NO.</u>	<u>PART NO.</u>	<u>PART NAME</u>	<u>QTY.</u>	<u>REMARKS</u>
1	TBD	IGNITION SYSTEM DECAL	1	
2	NPA455	FULL THROTTLE DECAL	1	
3	NPA222	FORWARD/REVERSE DECAL	1	
4	TBD	MULTIQUIP LOGO DECAL	1	
5	NPA638	OPERATIONAL CAUTION DECAL	1	
6	NPA748	SHELL OIL #46DECAL	1	

MVH-304GHB — VIBRATING PLATE ASSY.

VIBRATING PLATE ASSY.



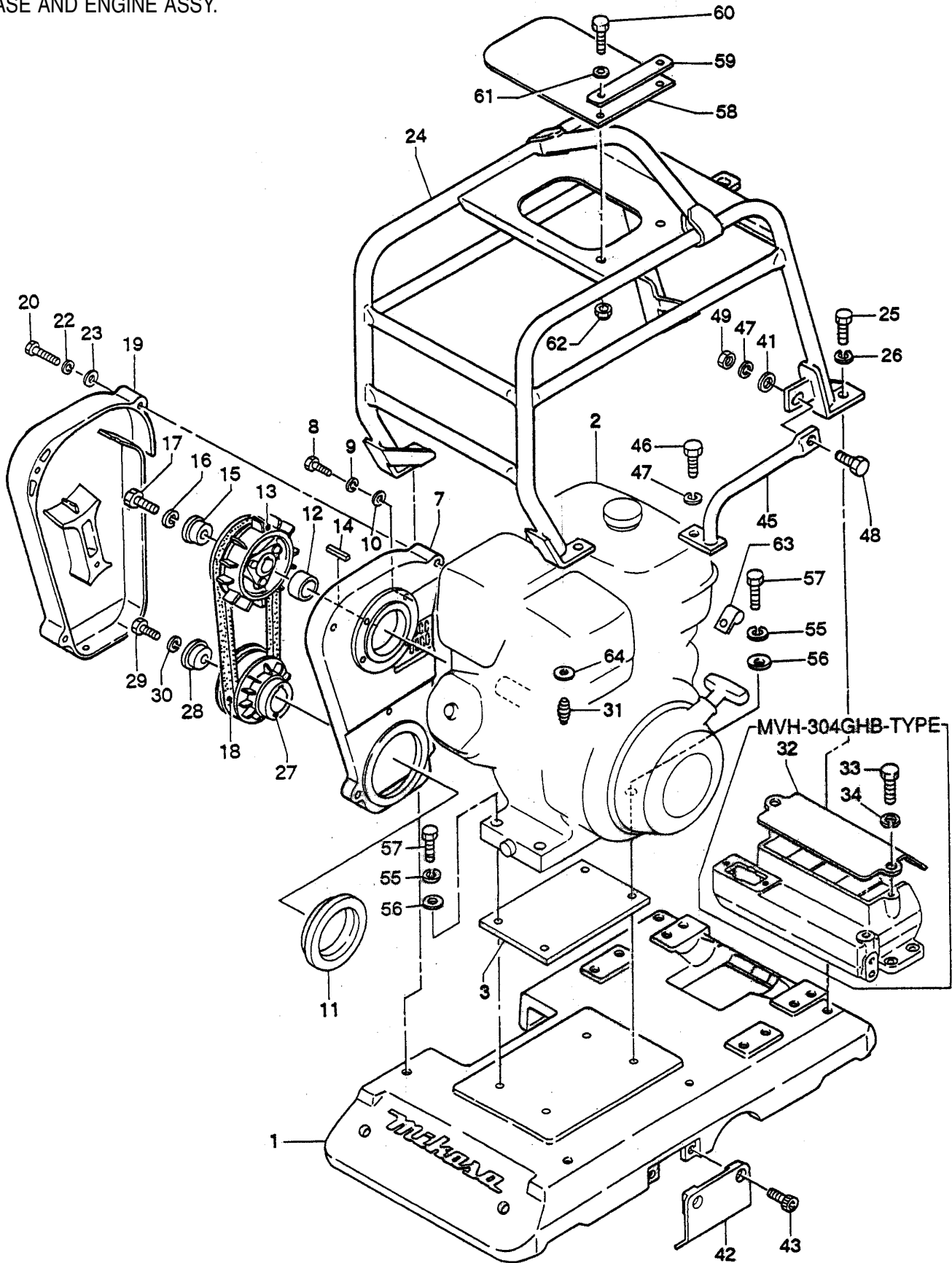
MVH-304GHB — VIBRATING PLATE ASSY.

VIBRATING PLATE ASSY.

<u>NO.</u>	<u>PART NO.</u>	<u>PART NAME</u>	<u>QTY.</u>	<u>REMARKS</u>
1	456113260	VIBRATING PLATE 445B	1	
2	953405840	DRAIN PLUG M18 (H)	1	
3	953402930	COPPER PACKING 19X30X1	1	
4	953405270	PLUG 1/4X14 13L	1	
5	953405260	PACKING 1/4 (CU)	1	
6	939010070	SHOCK ABSORBER 100	4	
7	020316130	NUT M16	4	
8	030216400	WASHER16	4	
9	001221645	BOLT 16X45 T	4	
10	001201830	BOLT 18X30	8	
11	030218460	WASHER M18	8	
12	030216400	WASHER M16	4	
13	456336550	COVER GUARD	1	
15	456210690	EXTENSION PLATE	2.....	OPTION
16	001221850	BOLT 18X50 T	8.....	OPTION

MVH-304GHB — BASE AND ENGINE ASSY.

BASE AND ENGINE ASSY.



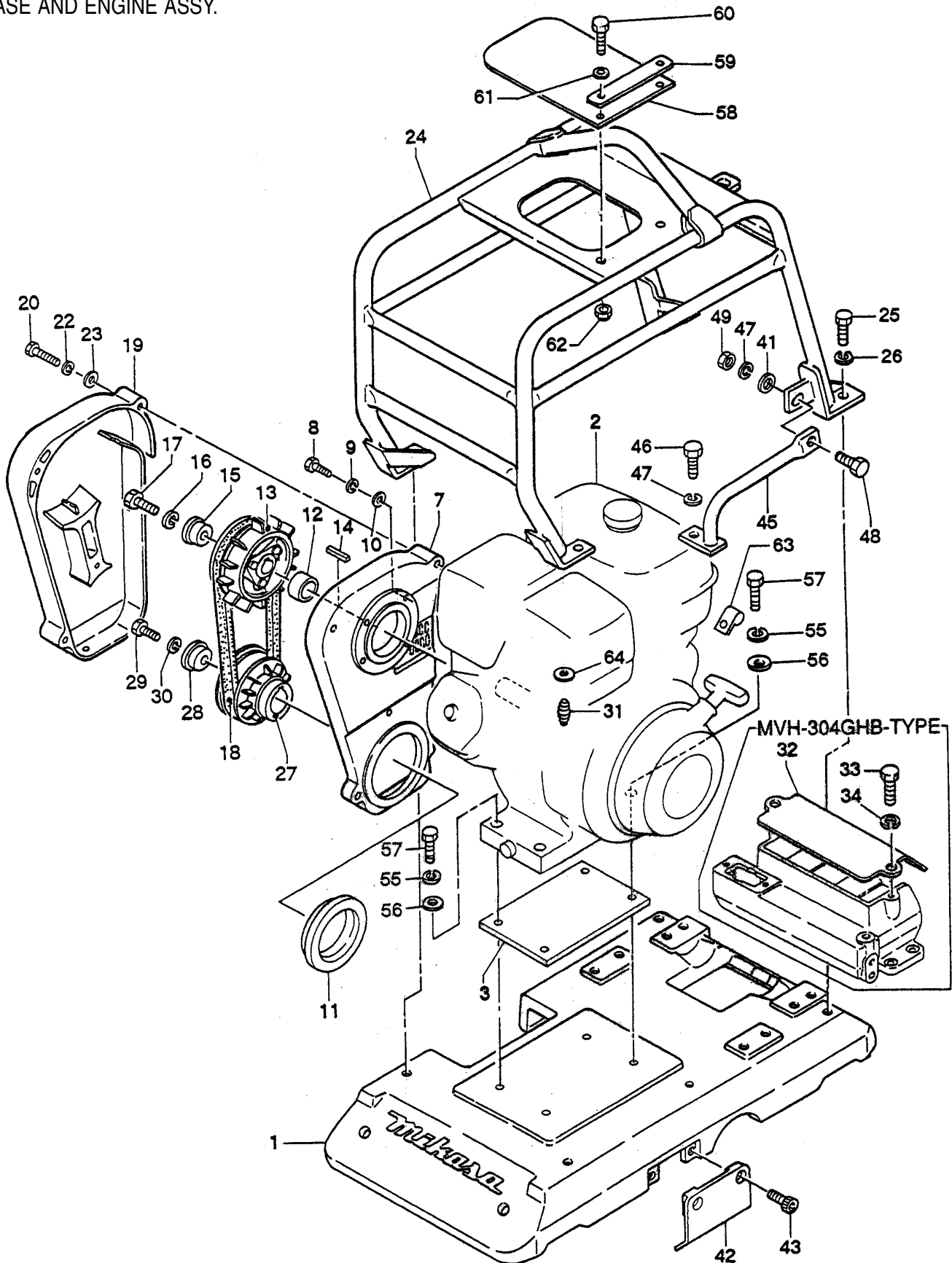
MVH-304GHB — BASE AND ENGINE ASSY.

BASE AND ENGINE ASSY.

<u>NO.</u>	<u>PART NO.</u>	<u>PART NAME</u>	<u>QTY.</u>	<u>REMARKS</u>
1	456115320	BASE (GX340 /390)	1	
2	912234002	ENGINE AY GX340	1	
3	456450200	ENGINE BASE (GX340) E2474-	1	
7	456113830	BELT COVER (IN) GX340	1	
8	001220825	BOLT 8X25 T	4	
9	030208200	WASHER M8	4	
10	031108160	WASHER M8	4	
11	456445120	COVER SEAL 125D	1	
12	456445721	SPACER 25-32-21	1	
13	456335600	CLUTCH AY W/FAN	1	
14	951400110	KEY 7X7X35	1	
15	455444350	WASHER, CLUTCH	1	
16	030208200	WASHER M8	1	
17	001220825	BOLT 8X25 T	1	
18	070200353	V-BELT B-35 GREEN	1	
19	456113790	BELT COVER (OUT)	1	
20	001221052	BOLT 10X60 T	4	
22	030210250	WASHER M10	4	
23	031110160	WASHER M10	4	
24	456114850	GUARD FRAME	1	
25	001221230	BOLT 12X30 T	4	
26	030212300	WASHER M12	4	
27	456335520	PULLEY B1-105 W/FAN /MVH	1	
28	456437920	WASHER, PULLEY	1	
29	001221235	BOLT 12X35 T	1	

MVH-304GHB — BASE AND ENGINE ASSY.

BASE AND ENGINE ASSY.



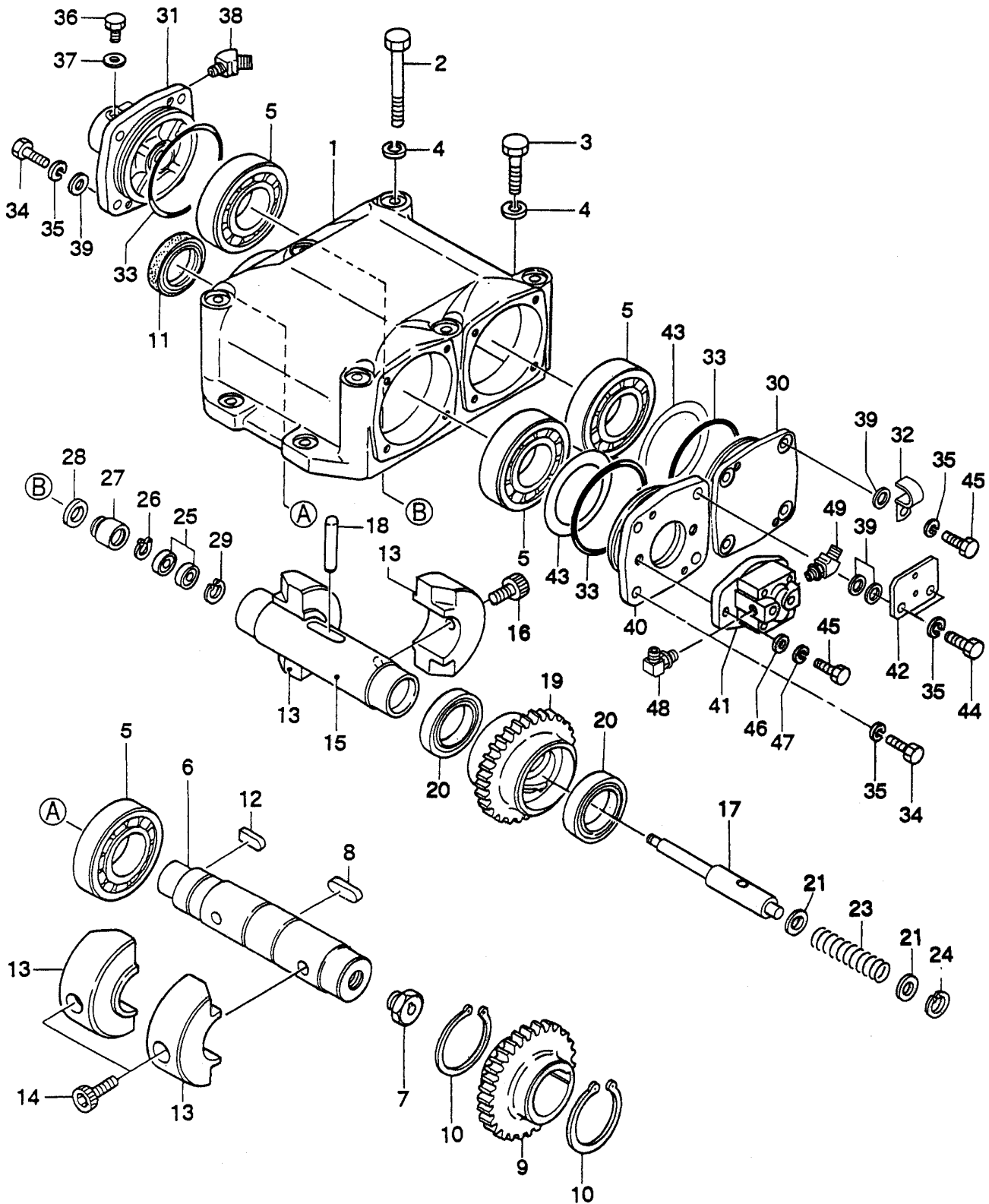
MVH-304GHB — BASE AND ENGINE ASSY.

BASE AND ENGINE ASSY.

<u>NO.</u>	<u>PART NO.</u>	<u>PART NAME</u>	<u>QTY.</u>	<u>REMARKS</u>
30	030212300	WASHER M12	1	
31	301010950	RETURN SPRING	1	
32	456334920	COVER, OIL TANK	1	
33	001221015	BOLT 10X15 T	2	
34	030210250	WASHER M10	2	
41	031110160	WASHER M10	1	
42	456334630	PUMP COVER	1	
43	001520816	SOCKET HEAD BOLT 8X16 T	2	
45	456334860	GUARD PIPE	1	
46	001221020	BOLT 10X20 T	1	
47	030210250	WASHER M10	2	
48	001221030	BOLT 10X30 T	1	
49	020310080	NUT M10	1	
55	030210250	WASHER M10	4	
56	031110160	WASHER M10	4	
57	001221045	BOLT 10X45 T	4	
58	456450820	RUBBER COVER, GX	1	
59	456450800	PLATE, COVER	1	
60	001220825	BOLT 8X25 T	2	
61	031108160	WASHER M8	2	
62	022710809	NYLON NUT M8	2	
63	954405510	CLAMP CLA-3200 (9D)	1	
64	031105080	WASHER M5	1	

MVH-304GHB — VIBRATOR ASSY.

VIBRATOR ASSY.



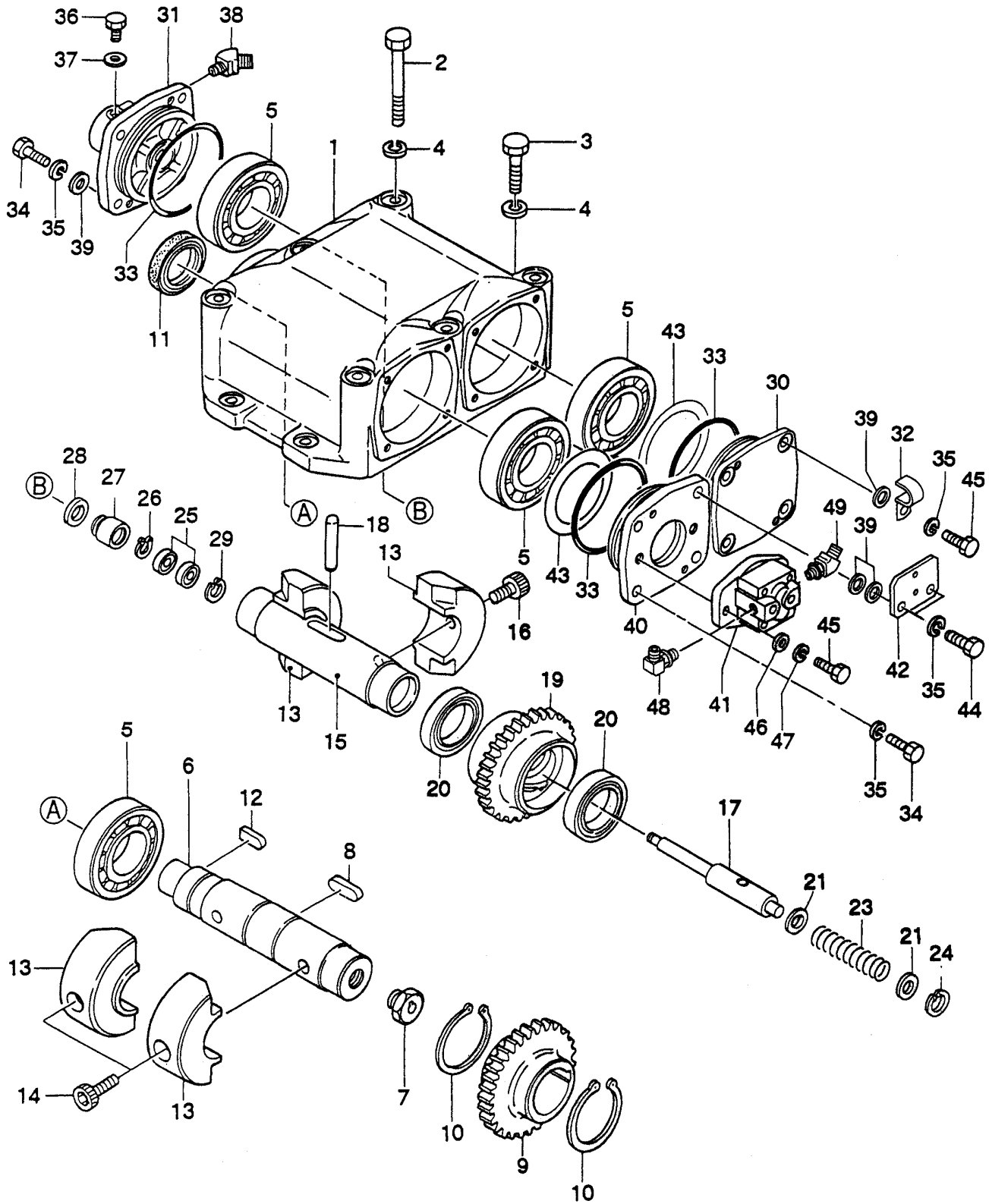
MVH-304GHB — VIBRATOR ASSY.

VIBRATOR ASSY.

<u>NO.</u>	<u>PART NO.</u>	<u>PART NAME</u>	<u>QTY.</u>	<u>REMARKS</u>
1	456110250	VIBRATING CASE	1	
2	001221470	BOLT 14X150 T	6	
3	001221450	BOLT 14X50 T	4	
4	030214350	WASHER M14	10	
5	047920060	ROLLER BEARING NJ310MC4	4	
6	457212410	ROTARY SHAFT, DRIVE	1	
7	457445830	ADAPTER, PUMP	1	
8	951405370	KEY 15X10X39 RR	1	
9	456327150	GEAR, DRIVE	1	
10	080200550	STOP RING S-55	2	
11	060105030	OIL SEAL SB-50729	1	
12	951404970	KEY 12X8X30 R	1	
13	456327170	ECCENTRIC ROTOR	4	
14	009120301	SOCKET HEAD BOLT 16X40T	2	
15	456337670	ROTARY, SHAFT DRIVEN	1	
16	009120302	SOCKET HEAD BOLT 16X30T	2	
17	456337380	PISTON ROD	1	
18	456010010	KNOCK PIN 10X70	1	
19	456327120	GEAR, DRIVEN	1	
20	040306911	BEARING 6911C3	2	
21	455435020	COLLAR 17X30X3	2	
23	456451280	SPRING 3.2-26.3-102L /304B	1	
24	080100300	STOP RING R-30	1	
25	042506000	BEARING 6000ZZSG	2	

MVH-304GHB — VIBRATOR ASSY.

VIBRATOR ASSY.



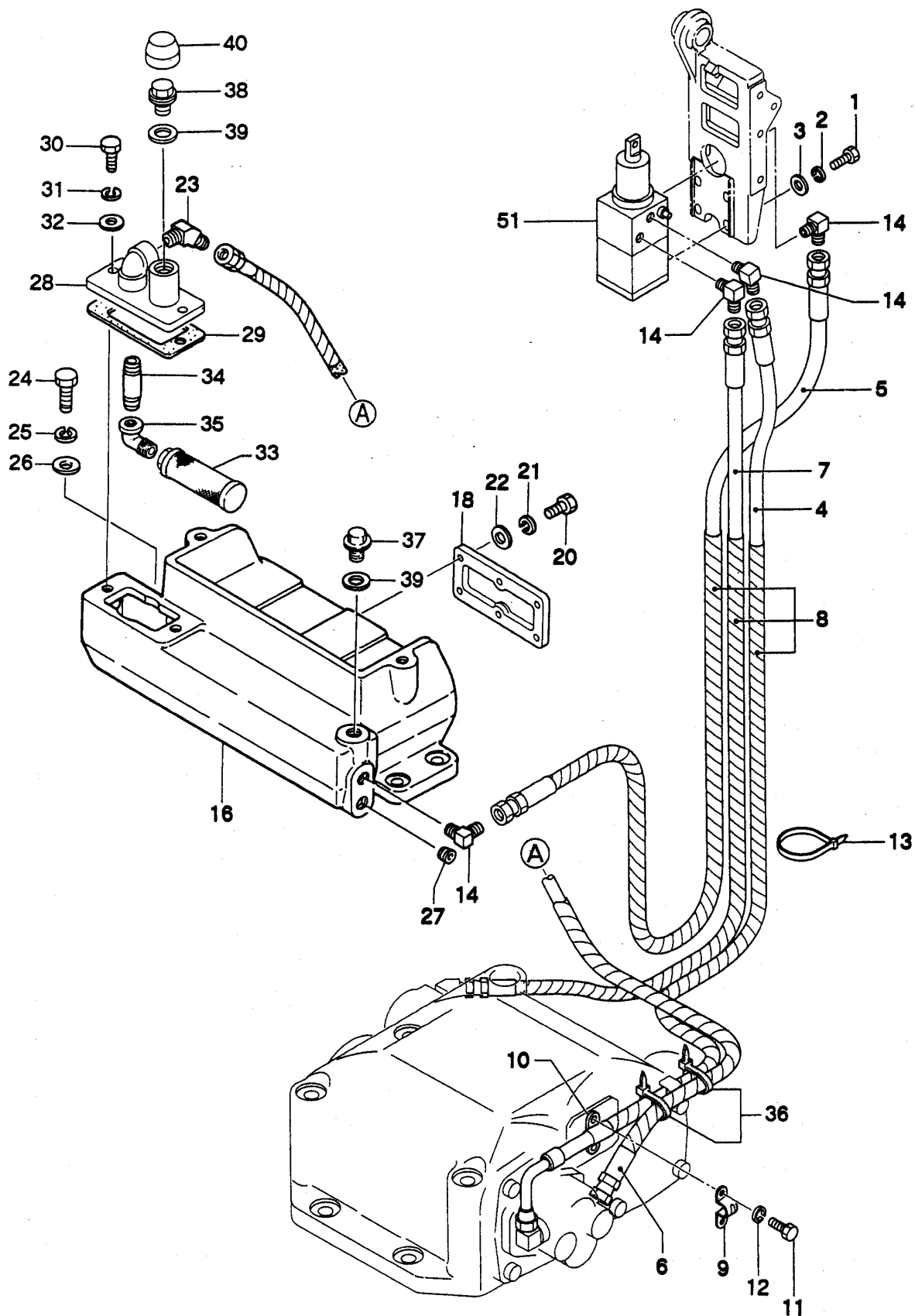
MVH-304GHB — VIBRATOR ASSY. (CONTINUED)

VIBRATOR ASSY.

<u>NO.</u>	<u>PART NO.</u>	<u>PART NAME</u>	<u>QTY.</u>	<u>REMARKS</u>
26	080200100	STOP RING S-10	1	
27	455435051	PISTON, 22.4D	1	
28	455010070	PACKING USH-22.4X30X5	1	
29	080100260	STOP RING R-26	1	
30	455327130	BEARING COVER	1	
31	456210646	CYLINDER (R)	1	
32	954405550	CLAMP 15R	1	
33	050101050	O-RING G-105	3	
34	001221025	BOLT 10X25 T	9	
35	030210250	WASHER M10	12	
36	001220812	BOLT 8X12 T	1	
37	953404600	COPPER PACKING 8X16X2	1	
38	455010020	ELBOW 45 15-0404	1	
39	031110160	WASHER M10	10	
40	457332430	FLANGE, PUMP	1	
41	457010010	PUMP FBL	1	
41-1	457010090	CRESCENT KEY 2.5X10 GEAR PUMP	1	
42	457445840	BRACKET, CLAMP	1	
43	952405470	SHIM 90X110X0.5	2	
44	001221035	BOLT 10X35 T	2	
45	001221030	BOLT 10X30 T	3	
46	952405540	WASHER 10.5-22-3	2	
47	030210250	WASHER M10	2	
48	954010140	ELBOW 90 UES90G02G02	1	
49	954001780	ELBOW 45 PF3/8-PF1/4	1	

MVH-304GHB — HYDRAULIC SYSTEM ASSY.

HYDRAULIC SYSTEM ASSY.



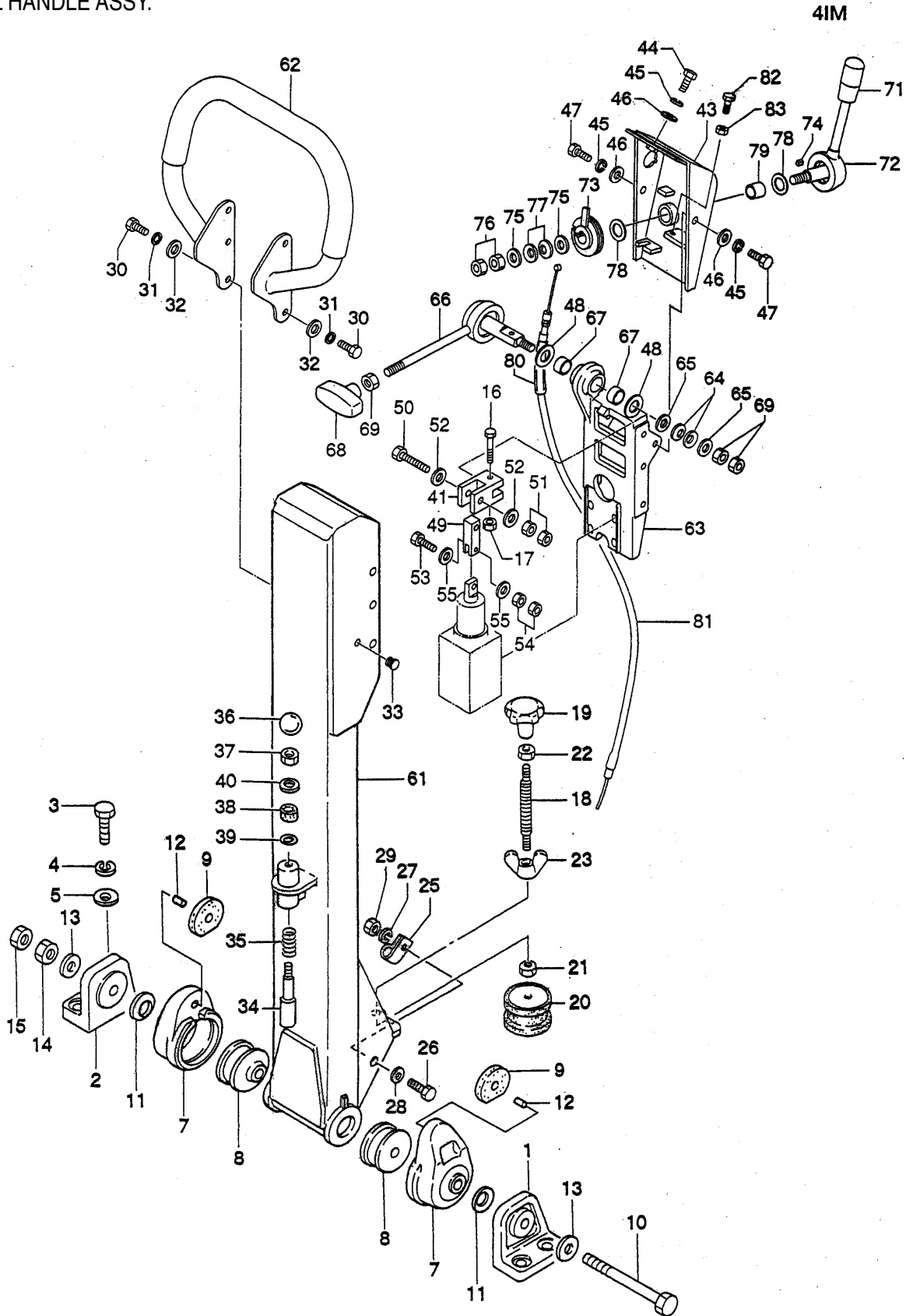
MVH-304GHB — HYDRAULIC SYSTEM ASSY.

HYDRAULIC SYSTEM ASSY.

<u>NO.</u>	<u>PART NO.</u>	<u>PART NAME</u>	<u>QTY.</u>	<u>REMARKS</u>
1	001220820	BOLT 8X20 T	4	
2	030208200	WASHER M8	4	
3	031108160	WASHER M8	4	
4	456451310	OIL HOSE 1300L	1	
5	456451340	OIL HOSE 1100L	1	
6	456451320	OIL HOSE 730L	1	
7	456451330	OIL HOSE 1050L	1	
8	955404271	SPIRAL TUBE, SR15-850L	3	
9	954403060	CLAMP HC-40	1	
10	954403070	CLAMP SPACER HC-40	1	
11	001220612	BOLT 6X12 T	2	
12	030206150	WASHER M6	2	
13	506010070	CLAMP TC-150	1	
14	954001160	ELBOW 90 PT1/4-PF1/4	4	
16	456114080	OIL TANK	1	
18	456335830	COVER (SLIDE), OIL TANK	1	
20	001220620	BOLT 6X20 T	6	
21	030206150	WASHER M6	6	
22	031106100	WASHER M6	6	
23	954001280	ELBOW 45 PT1/4XPF3/8	1	
24	001221230	BOLT 12X30 T	4	
25	030212300	WASHER M12	4	
26	031112230	WASHER M12	4	
27	505015380	PLUG PT1/4	1	
28	456337460	UPPER COVER, OIL TANK	1	
29	457445870	PACKING, OIL TANK	1	
30	001200820	BOLT 8X20	2	
31	030208200	WASHER M8	2	
32	031108160	WASHER M8	2	
33	456449280	FILTER, OIL TANK	1	
34	456447490	JOINT PIPE	1	
35	954001720	ELBOW PT1/4	1	
36	506010060	CLAMP TC-350	2	
37	953402781	DRAIN PLUG M18	1	
38	457448680	BREATHER PLUG 1	1	
39	953400020	PACKING 19302	2	
40	457448380	BREATHER CAP	1	
51	456337780	SELECTOR VALVE	1	

MVH-304GHB — CONTROL HANDLE ASSY.

CONTROL HANDLE ASSY.



MVH-304GHB — CONTROL HANDLE ASSY.

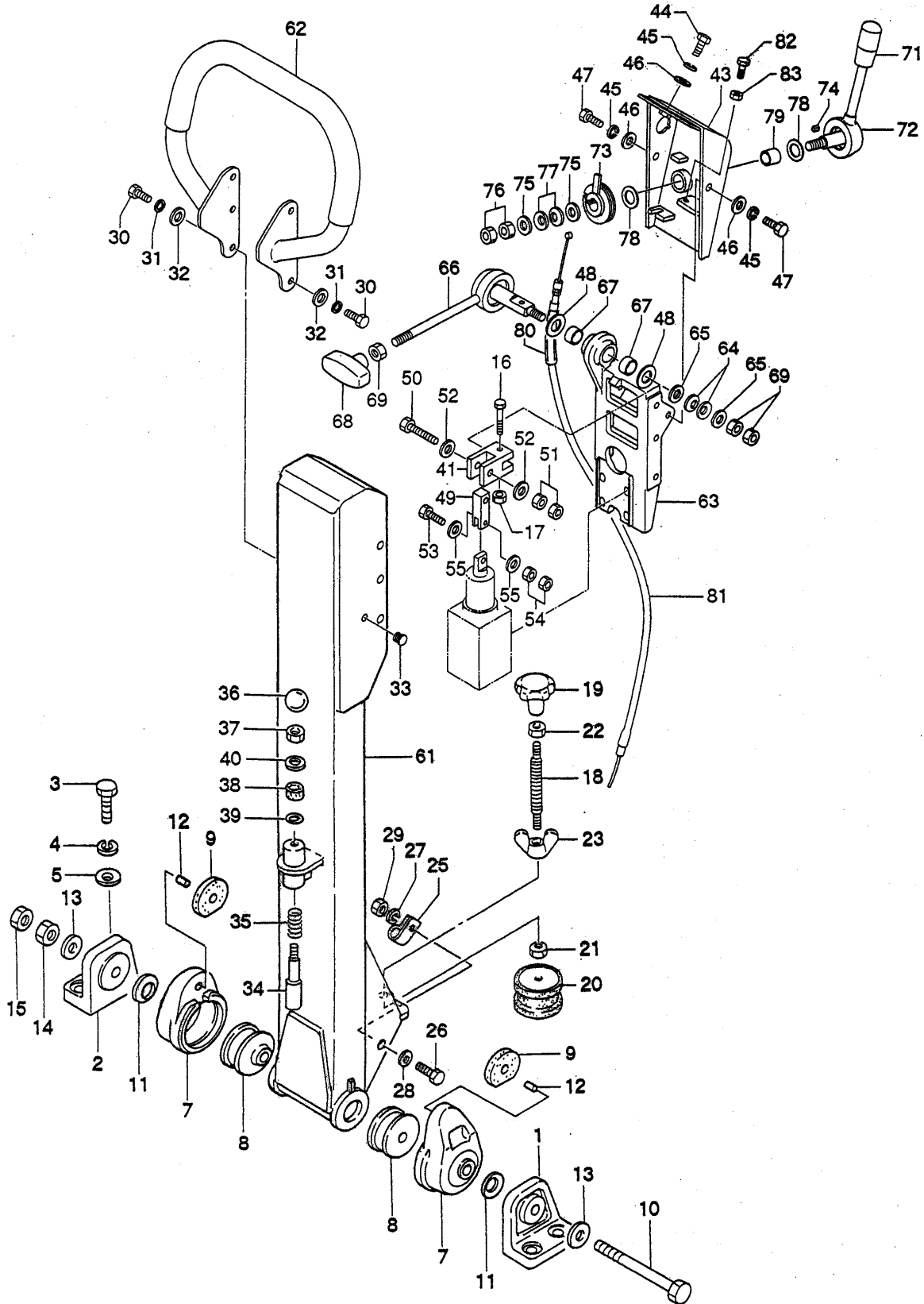
CONTROL HANDLE ASSY.

<u>NO.</u>	<u>PART NO.</u>	<u>PART NAME</u>	<u>QTY.</u>	<u>REMARKS</u>
1	456336410	HANDLE BRACKET (L)	1	
2	456336420	HANDLE BRACKET (R)	1	
3	001221235	BOLT 12X35 T	4	
4	030212300	WASHER M12	4	
5	031112230	WASHER M12	4	
7	456336400	RUBBER COUPLING	2	
8	456449940	SHOCK ABSORBER	2	
9	456449930	RUBBER PLATE	2	
10	001221681	BOLT 16X250 T	1	
11	032124400	CONICAL SPRING WASHER M24	2	
12	025406016	SPRING PIN 6X16	2	
13	031116260	WASHER M16	2	
14	020316130	NUT M16	1	
15	020416100	NUT M16, H=10	1	
16	001220640	BOLT 6X40 T	1	
17	020306050	NUT M6	1	
18	455434950	SPINDLE	1	
19	455010030	KNOB	1	
20	939010060	SHOCK ABSORBER 60	1	
21	020410060	NUT M10, H=6	1	
22	020412070	NUT M12, H=7	1	
23	022411635	WING NUT M16	1	
25	954404230	CLAMP SA120-18	1	
26	001220620	BOLT 6X20 T	1	
27	030206150	WASHER M6	1	
28	031106100	WASHER M6	1	
29	020306050	NUT M6	1	
30	001220825	BOLT 8X25 T	6	
31	030208200	WASHER M8	6	
32	031108160	WASHER M8	6	
33	953401580	PLUG	1	
34	501402870	HANDLE STOPPER	1	
35	501402880	SPRING/HANDLE (1.4X18X44)	1	
36	959403460	BALL GRIP 32D-M10	1	
37	020410060	NUT M10, H=6	1	
38	456449980	RUBBER PACKING 9D-200-5T	1	
39	954305260	PACKING 1/4 (CU)	1	
40	031110160	WASHER M10	1	
41	456450760	JOINT	1	
43	456214360	LEVER BRACKET	1	

MVH-304GHB — CONTROL HANDLE ASSY.

CONTROL HANDLE ASSY.

4IM



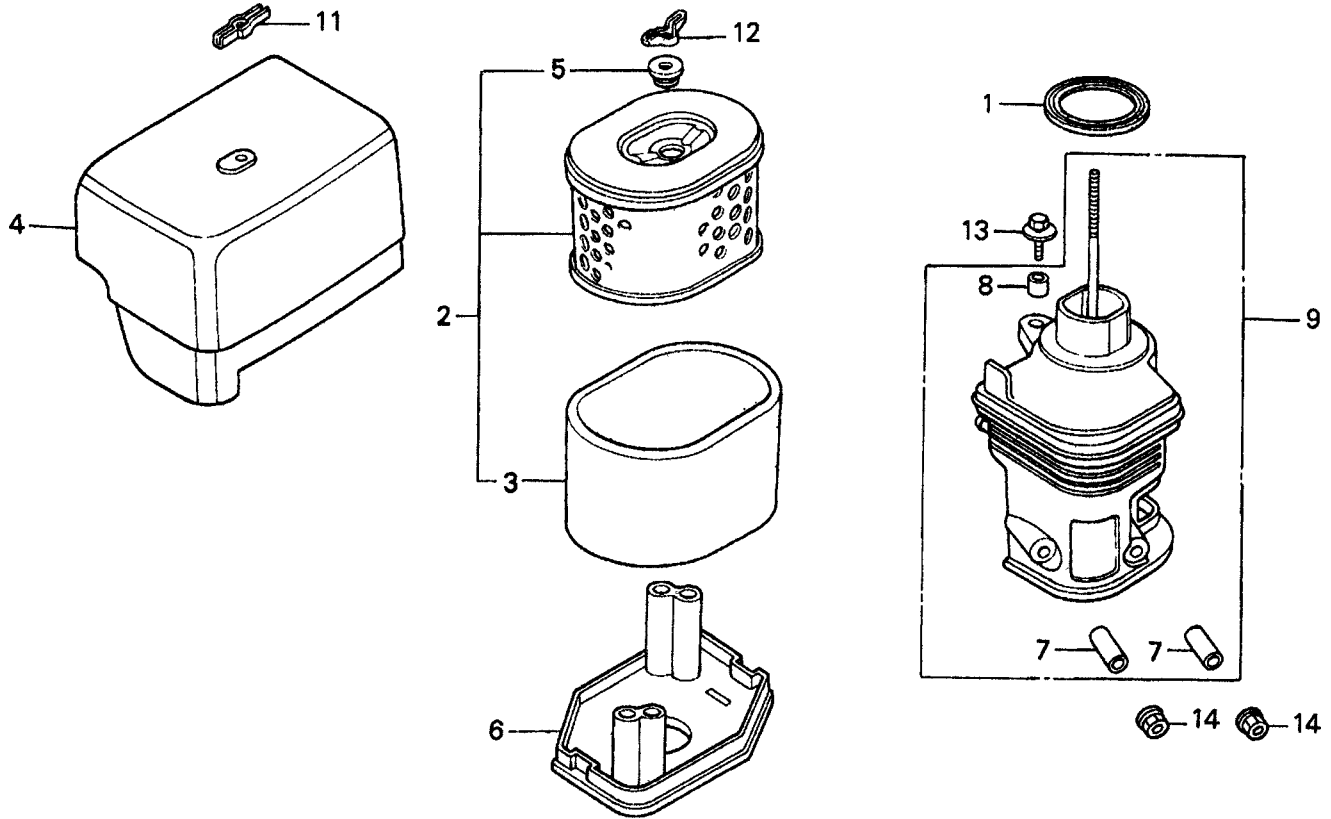
MVH-304GHB — CONTROL HANDLE ASSY. (CONTINUED)

CONTROL HANDLE ASSY.

<u>NO.</u>	<u>PART NO.</u>	<u>PART NAME</u>	<u>QTY.</u>	<u>REMARKS</u>
43	456214720	LEVER BRACKET	1	
44	001220820	BOLT 8X20 T	1	
45	030208200	WASHER M8	3	
46	031108160	PWASHERM8	3	
47	001220815	BOLT 8X15 T	2	
48	033910020	THRUST WASHER 20-36-1.5T	2	
49	457445910	CLEVIS	1	
50	001220850	BOLT 8X50 T	1	
51	020308060	NUT M8	2	
52	031108160	WASHER M8	2	
53	001220630	BOLT 6X30 T	1	
54	020306050	NUT M6	2	
55	031106100	WASHER M6	2	
61	456114840	HANDLE (FOR JPN)	1	
62	456214220	HANDLE GRIP	1	
62	456214222	HANDLE GRIP	1	
63	456214210	VALVE BRACKET	1	
64	032112220	CONICAL SPRING WASHER M12	2	
65	456451400	WASHER 12.2-27- 0.6T	2	
66	456337400	TRAVEL LEVER	1	
67	608010090	BUSHING MB2015DU	2	
68	457332480	GRIP, TRAVEL LEVER	1	
69	020412070	NUT M12, H=7	3	
71	959403840	BAR GRIP I.D. 12MM	1	
72	456337690	THROTTLE LEVER	1	
73	456451290	WIRE GUIDE	1	UP TO S/N 3897
73	456452070	WIRE GUIDE	1	S/N G3898 AND ABOVE
74	951401431	KEY 5X5X8	1	
75	031112230	WASHER M12	2	
76	020412070	NUT M12, H=7	2	
77	032112220	CONICAL SPRING WASHER M12	2	
78	953402930	COPPER PACKING 19X30X1	2	
79	509010130	BUSHING MB1825DU	1	
80	959021624	TUBE 8-13-150L	1	
81	956100030	THROTTLE WIRE 1860-2080	1	FOR GX390
82	001820830	BOLT 8X30 T WHOLE THREAD	1	S/N G3898 AND ABOVE
83	020308060	NUT M8	1	S/N G3898 AND ABOVE

HONDA GX340K1SMX2 — AIR CLEANER ASSY.

AIR CLEANER ASSY.



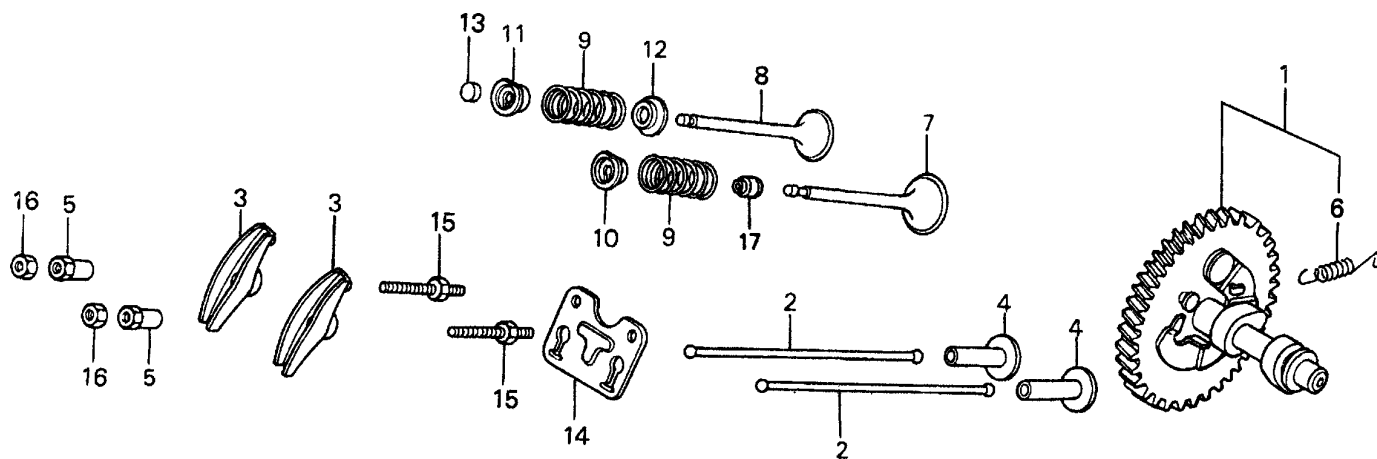
HONDA GX340K1SMX2 — AIR CLEANER ASSY.

AIR CLEANER ASSY.

<u>NO.</u>	<u>PART NO.</u>	<u>PART NAME</u>	<u>QTY.</u>	<u>REMARKS</u>
1	16271ZE2000	GASKET, ELBOW	1	
2	17210ZE3505	ELEMENT, AIR CLEANER	1	
3	17218ZE3505	FILTER, OUTER	1	
4	17231ZE3W00	COVER, AIR CLEANER	1	
5	17232891000	GROMMET, AIR CLEANER	1	
6	17235ZH9N00	NOSE, MUFFLER	1	
7 *	17238ZE2310	COLLAR, AIR CLEANER	2	
8 *	17239ZE1000	COLLAR B, AIR CLEANER	1	
9	17410ZH9N00	ELBOW, AIR CLEANER	1	INCLUDES ITEMS W/*
11	90203ZA0800	WINGNUT, 6MM	1	
12	90325044000	WINGNUT, TOOL BOX SETTING	1	
13	934040602008	BOLT- WASHER, 6X20	1	
14	9405006000	NUT, FLANGE (6MM)	2	

HONDA GX340K1SMX2 — CAMSHAFT ASSY.

CAMSHAFT ASSY.



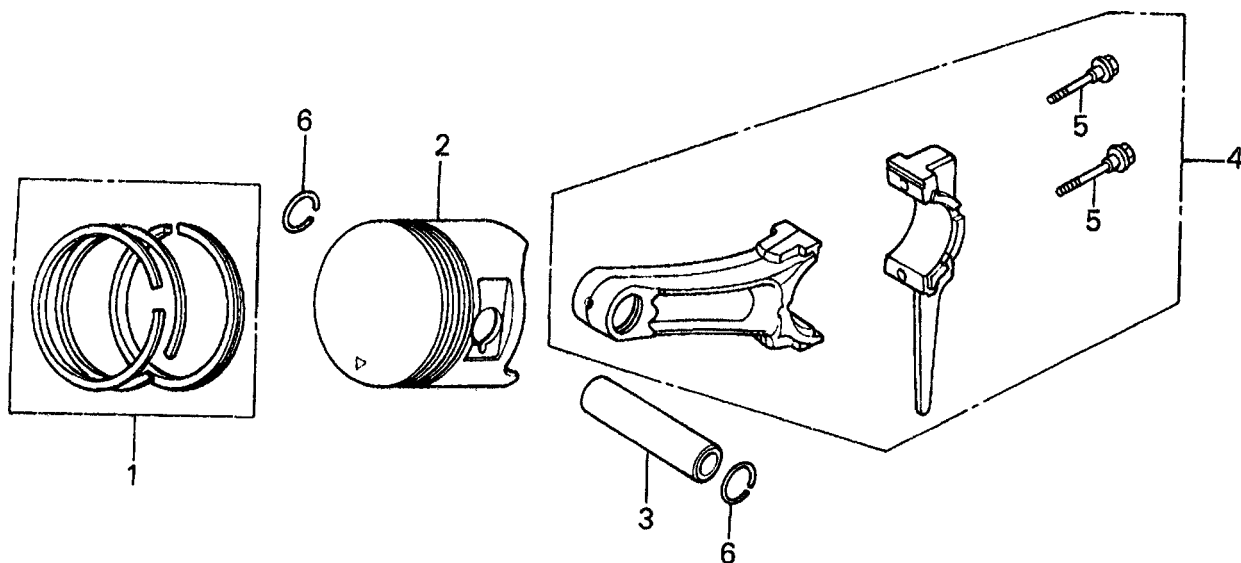
HONDA GX340K1SMX2 — CAMSHAFT ASSY.

CAMSHAFT ASSY.

<u>NO.</u>	<u>PART NO.</u>	<u>PART NAME</u>	<u>QTY.</u>	<u>REMARKS</u>
1	14100ZE3305	CAMSHAFT ASSEMBLY	1	INCLUDES ITEMS W/*
2	14410ZE3013	ROD, PUSH	2	
3	14431ZE2010	ARM, VALVE ROCKER	2	
4	14441ZE2000	LIFTER, VALVE	2	
5	14451ZE1013	PIVOT, ROCKER ARM	2	
6*	14568ZE1000	SPRING, WEIGHT RETURN	1	
7	14711ZE3000	VALVE, IN.	1	
8	14721ZE3000	VALVE, EX.	1	
9	14751ZE2003	SPRING, VALVE	2	
10	14771ZE2000	RETAINER, IN. VALVE SPRING	1	
11	14773ZE2000	RETAINER, EX. VALVE SPRING	1	
12	14775ZE2010	SEAT, VALVE SPRING	1	
13	14781ZE2000	ROTATOR, VALVE	1	
14	14791ZE2010	PLATE, PUSH ROD GUIDE	1	
15	90012ZE0010	BOLT, PIVOT (8MM)	2	
16	90206ZE1000	NUT, PIVOT ADJ.	2	
17	12209ZE8003	SEAL, VALVE STEM	1	USE FROM ENGINE S/N 3334264

HONDA GX340K1SMX2 — PISTON ASSY.

PISTON ASSY.



HONDA GX340K1SMX2 — PISTON ASSY.

PISTON ASSY.

<u>NO.</u>	<u>PART NO.</u>	<u>PART NAME</u>	<u>QTY.</u>	<u>REMARKS</u>
1	13010ZE3003	RING SET, PISTON- STANDARD	1	
1	13011ZE3003	RING SET, PISTON- OS 0.25	1	
1	13012ZE3003	RING SET, PISTON- OS 0.50	1	
1	13013ZE3003	RING SET, PPISTON- 0.75	1	
2	13101ZE3W00	PISTON- STANDARD	1	
2	13102ZE3W00	PISTON- OS 0.25	1	
2	13103ZE3W00	PISTON- OS 0.50	1	
2	13104ZE3W00	PISTON- 0.75	1	
3	13111ZF6000	PIN, PISTON	1	
4	13200ZE3010	ROD ASSEMBLY, CONNECTING (STD.)	1	INCLUDES ITEMS W/*
4	13200ZE3315	ROD ASSEMBLY, CONNECTING- US 0.25	1	INCLUDES ITEMS W/*
5*	90001ZE8000	BOLT, CONNECTING ROD	2	
6	90601ZE3000	CLIP, PISTON PIN 20MM	2	

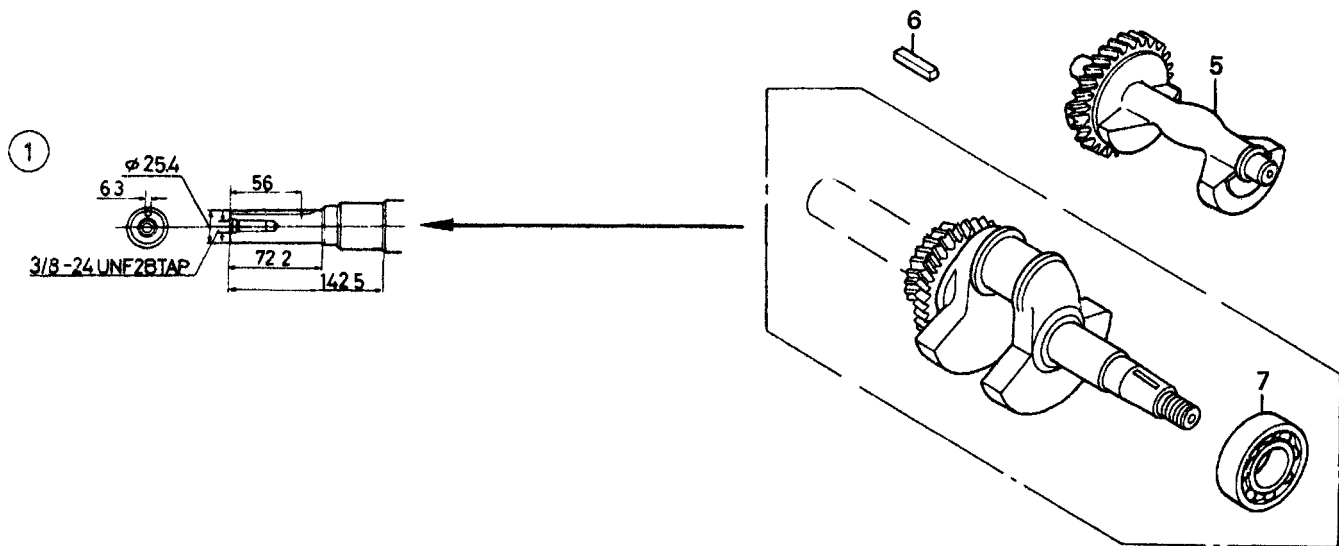
HONDA GX340K1SMX2 — CRANKCASE COVER ASSY.

CRANKCASE COVER ASSY.

<u>NO.</u>	<u>PART NO.</u>	<u>PART NAME</u>	<u>QTY.</u>	<u>REMARKS</u>
1+	06165ZE3000	GOVERNOR KIT,	1	INCLUDES ITEMS W/*
2	11300ZE3602	COVER ASSEMBLY, CRANKCASE Q- TYPE ...	1	INCLUDES ITEMS W/+
3	11381ZE3801	GASKET, CASE COVER	1	
4	15600ZG4003	CAP ASSEMBLY, OIL FILLER	1	INCLUDES ITEMS W/\$
5	15600735003	CAP ASSEMBLY, OIL FILLER	1	INCLUDES ITEMS W/■
7\$	15625ZE1003	GASKET, OIL FILLER CAP	1	
8■	15625ZE1003	GASKET, OIL FILLER CAP	1	
9+	16510ZE3000	GOVERNOR ASSEMBLY	1	INCLUDES ITEMS W/%
10*+%	16511ZE8000	WEIGHT, GOVERNOR	3	
11*+%	16512ZE3000	HOLDER, GOVERNOR WEIGHT	1	
12*+%	16513ZE2000	PIN, GOVERNOR WEIGHT	3	
13*+	16531ZE2000	SLIDER, GOVERNOR	1	
15*+	90602ZE1000	CLIP, GOVERNOR HOLDER	1	
16	90701HC4000	PIN, DOWEL 8X12	2	
17+	91201ZE3004	OIL SEAL 35X52X8	1	
18*+	9410106800	WASHER, PLAIN 6MM	1	
19	957010804000	BOLT, FLANGE 8X40	7	
20+	961006202000	BEARING, RADIAL BALL 6202	1	
21+	961006207000	BEARING, RADIAL BALL 6207	1	

HONDA GX340K1SMX2 — CRANKSHAFT ASSY.

CRANKSHAFT ASSY.



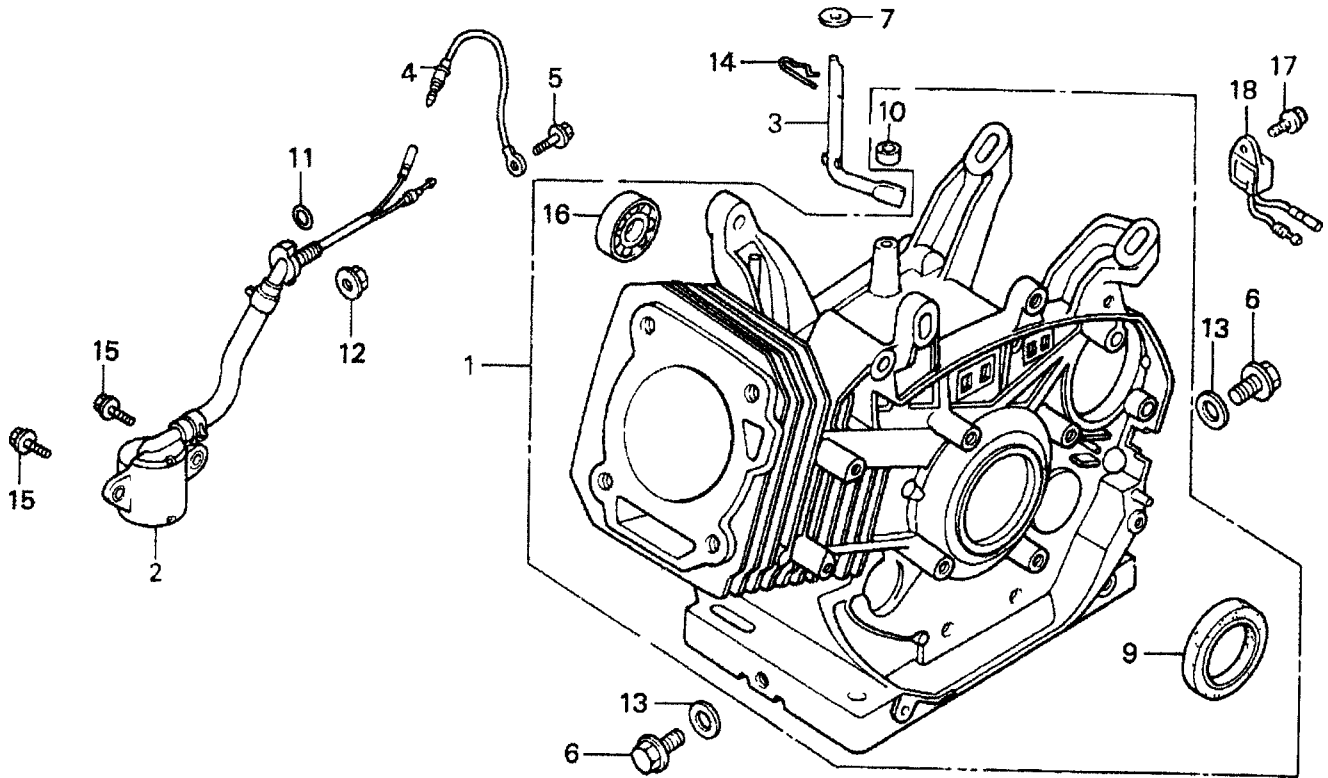
HONDA GX340K1SMX2 — CRANKSHAFT ASSY.

CRANKSHAFT ASSY.

<u>NO.</u>	<u>PART NO.</u>	<u>PART NAME</u>	<u>QTY.</u>	<u>REMARKS</u>
1	13310ZE3601	CRANKSHAFT Q- TYPE	1	INCLUDES ITEMS W/*
5	13351ZE3010	WEIGHT, BALANCER	1	
6	90756ZE2600	KEY 6.3X6.3X43	1	
7	961006207000	BEARING, RADIAL BALL 6207	1	

HONDA GX340K1SMX2 — CYLINDER BARREL ASSY.

CYLINDER BARREL ASSY.



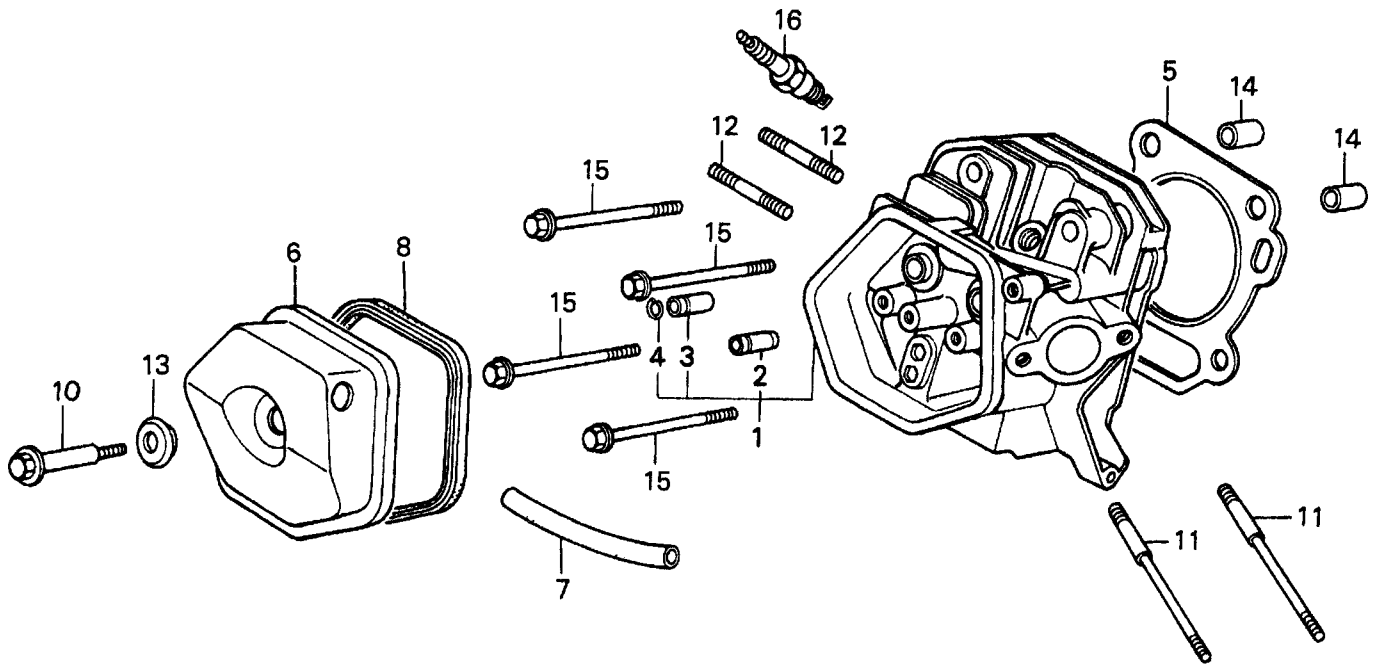
HONDA GX340K1SMX2 — CYLINDER BARREL ASSY.

CYLINDER BARREL ASSY.

<u>NO.</u>	<u>PART NO.</u>	<u>PART NAME</u>	<u>QTY.</u>	<u>REMARKS</u>
1	12000ZE3816	CYLINDER ASSEMBLY	1	INCLUDES ITEMS W/*
2	15510ZE2043	SWITCH ASSEMBLY, OIL LEVEL	1	USE FROM ENGINE SN 2639738 TO 2786139
3	16541ZE3010	SHAFT, GOVERNOR ARM	1	
4	32197ZE2003	SUB- HARNESS	1	USE UP TO ENGINE SN 2639737
5	90013883000	BOLT,FLANGE 6X12 (CT200)	1	USE UP TO ENGINE SN 2639737
6	90131896650	BOLT, DRAIN PLUG	2	
7	90446KE1000	WASHER 8.2X17X0.8	1	
9*	91201ZE3004	OIL SEAL 35X52X8	1	
10*	91201ZE9003	OIL SEAL 8X14X5	1	
11	91353671003	O- RING 13.5X1.5	1	
12	9405010000	NUT, FLANGE 10MM	1	
13	9410912000	WASHER, DRAIN PLUG 12MM	2	
14	9425110000	PIN, LOCK 10MM	1	
15	957010601200	BOLT, FLANGE 6X12	2	
16*	961006202000	BEARING, RADIAL BALL 6202	1	
17	90013883000	BOLT, FLANGE 6X12 (CT200)	1	
18	34150ZH7003	ALERT UNIT, OIL	1	

HONDA GX340K1SMX2 — CYLINDER HEAD ASSY.

CYLINDER HEAD ASSY.



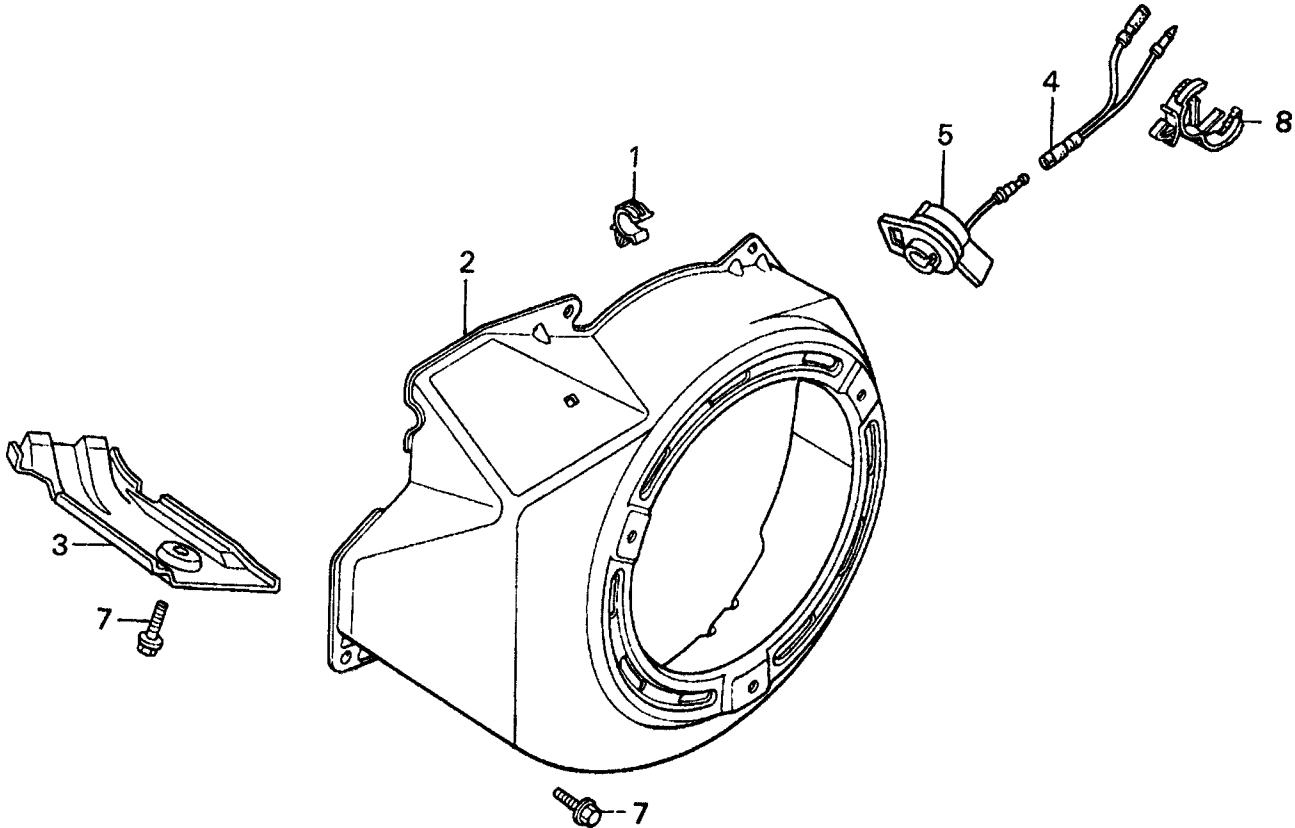
HONDA GX340K1SMX2 — CYLINDER HEAD ASSY.

CYLINDER HEAD ASSY.

<u>NO.</u>	<u>PART NO.</u>	<u>PART NAME</u>	<u>QTY.</u>	<u>REMARKS</u>
1	12200ZF6W01	CYLINDER HEAD	1	INCLUDES ITEMS W/*
2*	12204ZE2306	GUIDE, EX. VALVE OS (OPTIONAL)	1	
3*	12205ZE2305	GUIDE, EX. VALVE OS (OPTIONAL)	1	
4*	12216ZE2300	CLIP, VALVE GUIDE	1	
5	12251ZE3W00	GASKET, CYLINDER HEAD	1	
6	12310ZE3791	COVER, HEAD	1	
7	12315ZE3840	TUBE, BREATHER	1	
8	12391ZE2020	GASKET, CYLINDER HEAD COVER	1	
10	90014ZE2000	BOLT, HEAD COVER	1	
11	90042ZE8000	BOLT, STUD 8X131.5	2	
12	90047ZE2000	BOLT, STUD 8X47	2	USE UP TO ENGINE SN 3033461
12	92900080320E	BOLT 2, STUD 8X32	2	USE FROM ENGINE SN 3033462
13	90441ZE2010	WASHER, HEAD COVER	1	
14	9430112200	PIN A, DOWEL 12X20	2	
15	957011008000	BOLT, FLANGE 10X80	4	
16	9807956846	SPARK PLUG, BPR6ES (NGK)	1	

HONDA GX340K1SMX2 — FAN COVER ASSY.

FAN COVER ASSY.



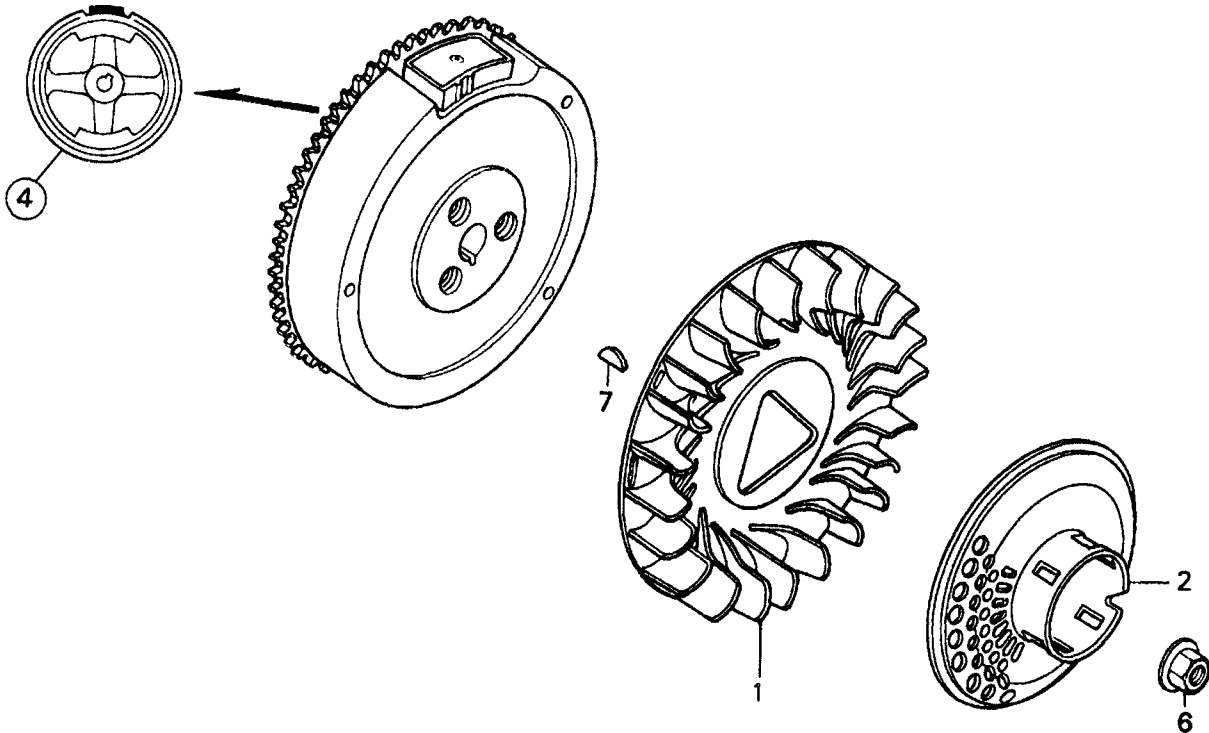
HONDA GX340K1SMX2 — FAN COVER ASSY.

FAN COVER ASSY.

<u>NO.</u>	<u>PART NO.</u>	<u>PART NAME</u>	<u>QTY.</u>	<u>REMARKS</u>
1	16731ZE2003	CLIP, TUBE	1	
2	19610ZE3010ZA	COVER, FAN *R8* (BRIGHT RED)	1	
3	19631ZE3W00	SHROUD	1	
4	32197ZH8003	SUB- HARNESS	1	USE UP TO ENGINE SN 2639737
5	36100ZE1015	SWITCH ASSEMBLY, ENGINE STOP	1	USE UP TO ENGINE SN 2639737
5	36100ZH7003	SWITCH ASSEMBLY, ENGINE STOP	1	USE FROM ENGINE SN 2639738
7	90013883000	BOLT, FLANGE 6X12 (CT200)	6	
8	90684ZA0601	CLIP, WIRE HARNESS	1	

HONDA GX340K1SMX2 — FLYWHEEL ASSY.

FLYWHEEL ASSY.



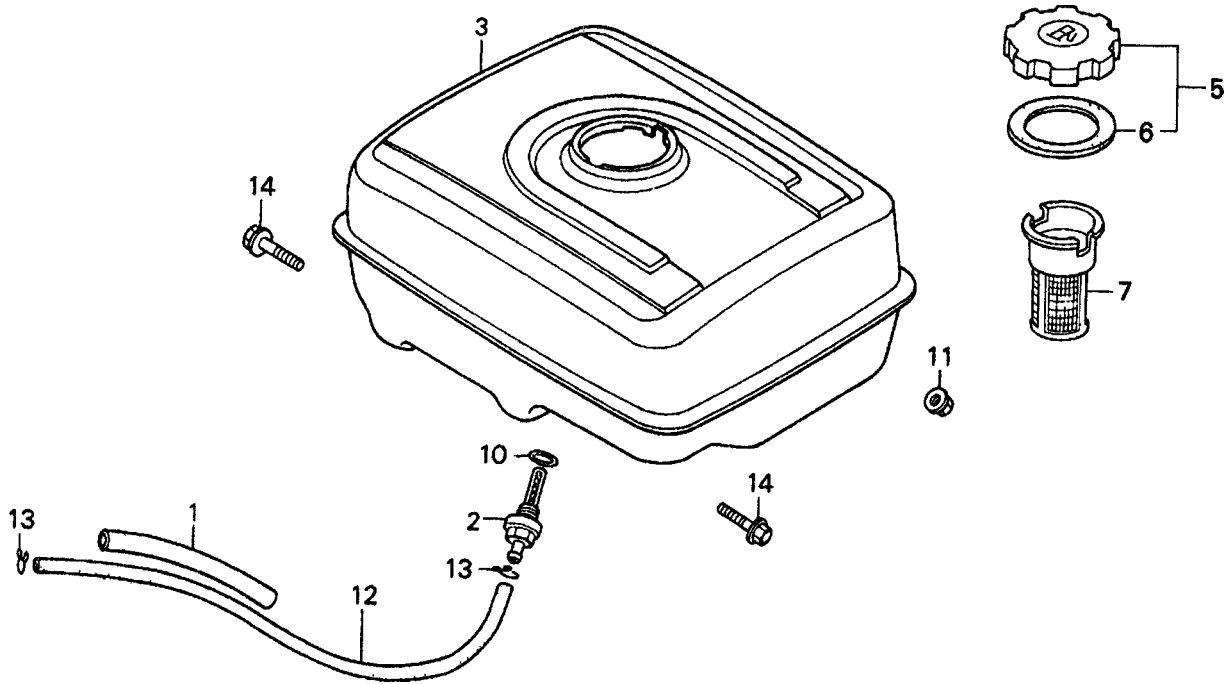
HONDA GX340K1SMX2 — FLYWHEEL ASSY.

FLYWHEEL ASSY.

<u>NO.</u>	<u>PART NO.</u>	<u>PART NAME</u>	<u>QTY.</u>	<u>REMARKS</u>
1	19511ZE3000	FAN, COOLING	1	
2	28450ZE3W11	PULLEY, STARTER (SCREEN GRID)	1	
4	31100ZE3701	FLYWHEEL	1	
6	90201ZE3V00	NUT, SPECIAL 16MM (1)	1 USE FROM ENGINE SN 2536523
6	90201ZE3790	NUT, SPECIAL 16MM	1 USE UP TO ENGINE SN 2536522
7	90741ZE2000	KEY, SPECIAL WOODRUFF 25X18	1	

HONDA GX340K1SMX2 — FUEL TANK ASSY.

FUEL TANK ASSY.



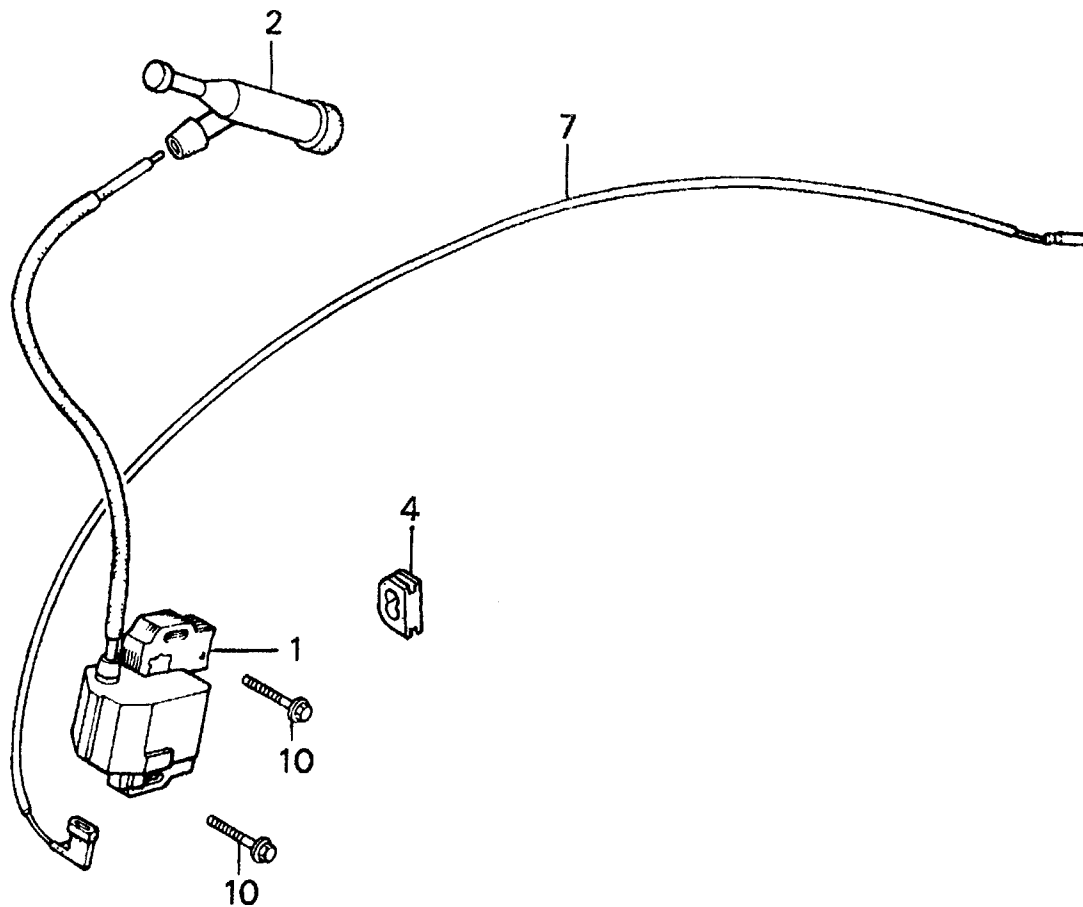
HONDA GX340K1SMX2 — FUEL TANK ASSY.

FUEL TANK ASSY.

<u>NO.</u>	<u>PART NO.</u>	<u>PART NAME</u>	<u>QTY.</u>	<u>REMARKS</u>
1	16854ZH8000	RUBBER, SUPPORTER 107MM	1	
2	16955ZE1000	JOINT, FUEL TANK	1	
3	17510ZE3010ZA	TANK, FUEL *NH31* (MCKINLEY WHITE)	1	
3	17510ZE3010ZD	TANK FUEL *T34* (SIMPSON BLUE)	1	
5	17620ZH7023	CAP, FUEL FILLER	1	INCLUDES ITEMS W/*
6*	17631ZH7003	GASKET, FUEL FILLER CAP	1	
7	17672ZE2W01	FILTER, FUEL	1	
10	91353671003	O- RING 13.5X1.5 (ARA)	1	
11	9405008000	NUT, FLANGE 8MM	2	
12	950014500360M	BULK HOSE, FUEL (4.5X3000) (4.5X235)	1	
13	9500202080	CLIP, TUBE B8	2	
14	957010802500	BOLT, FLANGE 8X25	2	

HONDA GX340K1SMX2 — IGNITION COIL ASSY.

IGNITION COIL ASSY.



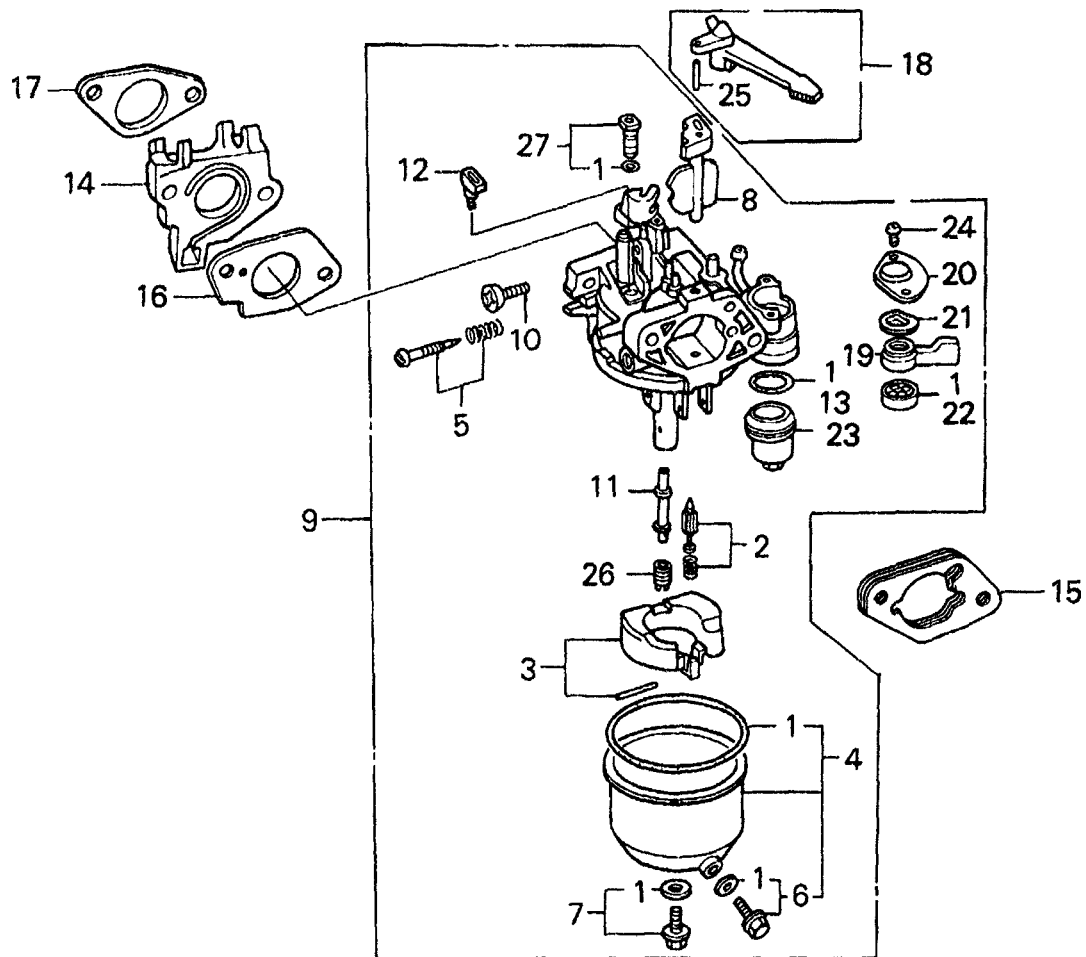
HONDA GX340K1SMX2 — IGNITION COIL ASSY.

IGNITION COIL ASSY.

<u>NO.</u>	<u>PART NO.</u>	<u>PART NAME</u>	<u>QTY.</u>	<u>REMARKS</u>
1	30500ZE2023	COIL ASSEMBLY, IGNITION	1	
2	30700ZE1013	CAP ASSEMBLY, NOISE SUPPRESSOR	1	
4	31512ZE2000	GROMMET, WIRE	1	
7	36101ZE2701	WIRE, STOP SWITCH 430MM	1	
10	90015883000	BOLT, FLANGE 6X28	2	

HONDA GX340K1SMX2 — CARBURETOR ASSY.

CARBURETOR ASSY.



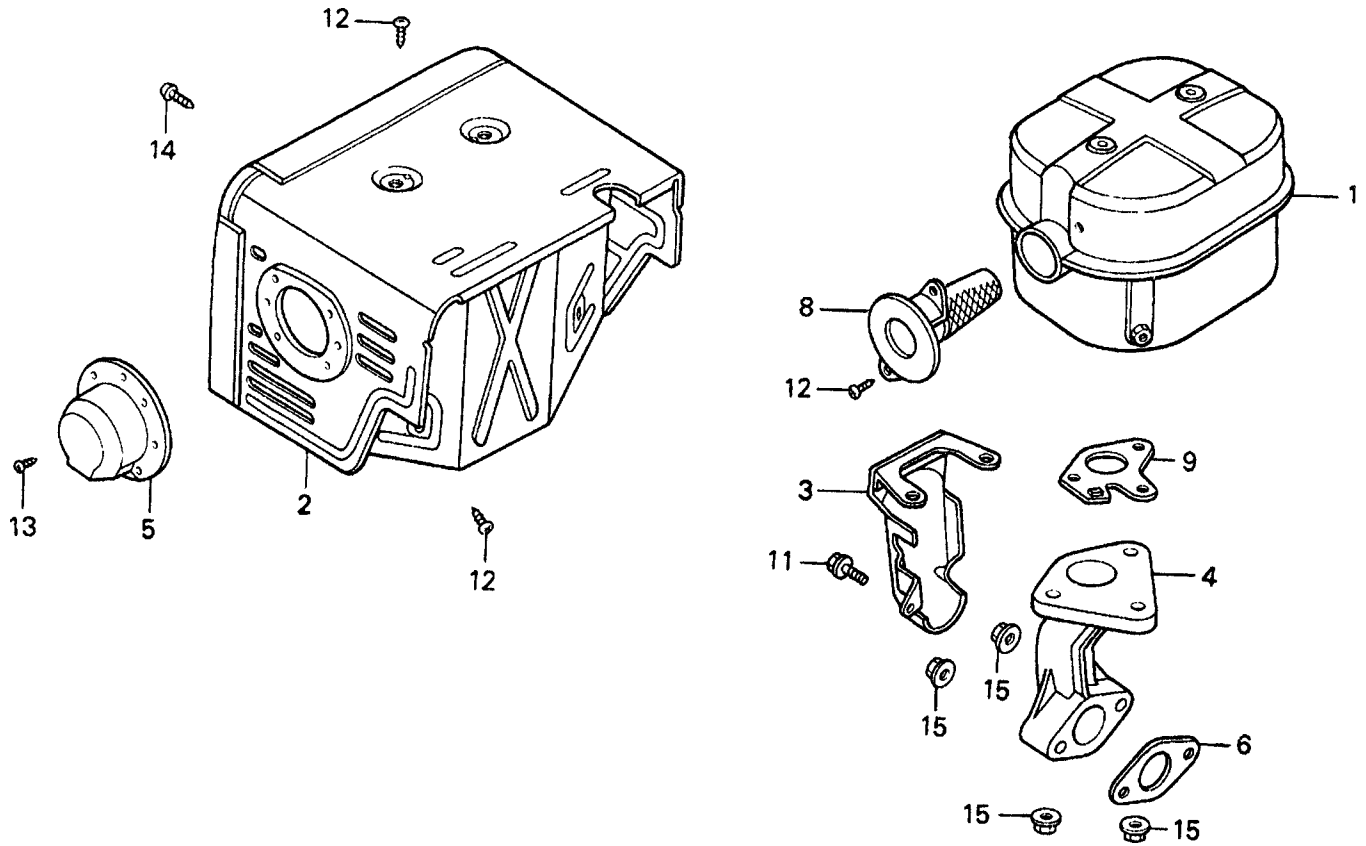
HONDA GX340K1SMX2 — CARBURETOR ASSY.

CARBURETOR ASSY.

<u>NO.</u>	<u>PART NO.</u>	<u>PART NAME</u>	<u>QTY.</u>	<u>REMARKS</u>
1*%	16010ZE2812	GASKET SET	1	
2*	16011ZA0931	VALVE SET, FLOAT	1	
3*	16013ZA0931	FLOAT SET	1	
4*	16015ZE2005	CHAMBER SET, FLOAT	1	INCLUDES ITEMS W/% USE UP TO ENGINE SN BE80B A
4*	16015ZE8005	CHAMBER SET, FLOAT	1	INCLUDES ITEMS W/% USE FROM ENGINE SN BE80B B
5*	16016ZH7W01	SCREW SET	1	
6*%	16024ZE1811	SCREW SET, DRAIN	1	
7*	16028ZE0005	SCREW SET B	1	
8*	16044ZE3811	CHOKE SET	1	
9	16100ZE3V00	CARBURETOR ASSEMBLY, BE85B A	1	INCLUDES ITEMS W/* USE UP TO ENGINE SN 2519695
9	16100ZE3V01	CARBURETOR ASSEMBLY, BE80B B	1	USE FROM ENGINE SN 2519696
9	16100ZE3V01	CARBURETOR ASSEMBLY, BE80B B	1	USE UP TO ENGINE SN 2519695
10*	16124ZE0005	SCREW, THROTTLE STOP	1	
11*	16166ZE3W50	NOZZLE, MAIN	1	
12*	16172ZE3W10	COLLAR, SET	1	
13	16173001004	GASKET, FUEL STRAINER CUP	1	
14	16211ZE3000	INSULATOR, CARBURETOR	1	
15	16220ZA0702	SPACER, CARBURETOR	1	
16	16221ZE3800	GASKET, CARBURETOR	1	
17	16223ZE3800	GASKET, INSULATOR	1	
18	16610ZE1000	LEVER, CHOKE (STANDARD)	1	INCLUDES ITEMS W/+
19	16953ZE1812	LEVER, VALVE	1	USE FROM ENGINE SN BE80B B
20	16954ZE1812	PLATE, LEVER SETTING	1	USE FROM ENGINE SN BE80B B
21*	16956ZE1811	SPRING, VALVE LEVER	1	
22*	16957ZE1812	GASKET, VALVE	1	
23*	16967ZE0811	CUP, FUEL STRAINER	1	
24*	93500030060H	SCREW, PAN (3X6)	2	USE FROM ENGINE SN BE80B B
25+	9430520122	PIN, SPRING (2X12)	1	
26	99101ZH80880	JET, MAIN #88 (OPTIONAL)	1	
26	99101ZH80900	JET, MAIN #90 (OPTIONAL)	1	
26	99101ZH80920	JET, MAIN #92 (OPTIONAL)	1	
27	99204ZE00350	JET SET, PILOT #35	1	

HONDA GX340K1SMX2 — MUFFLER ASSY.

MUFFLER ASSY.



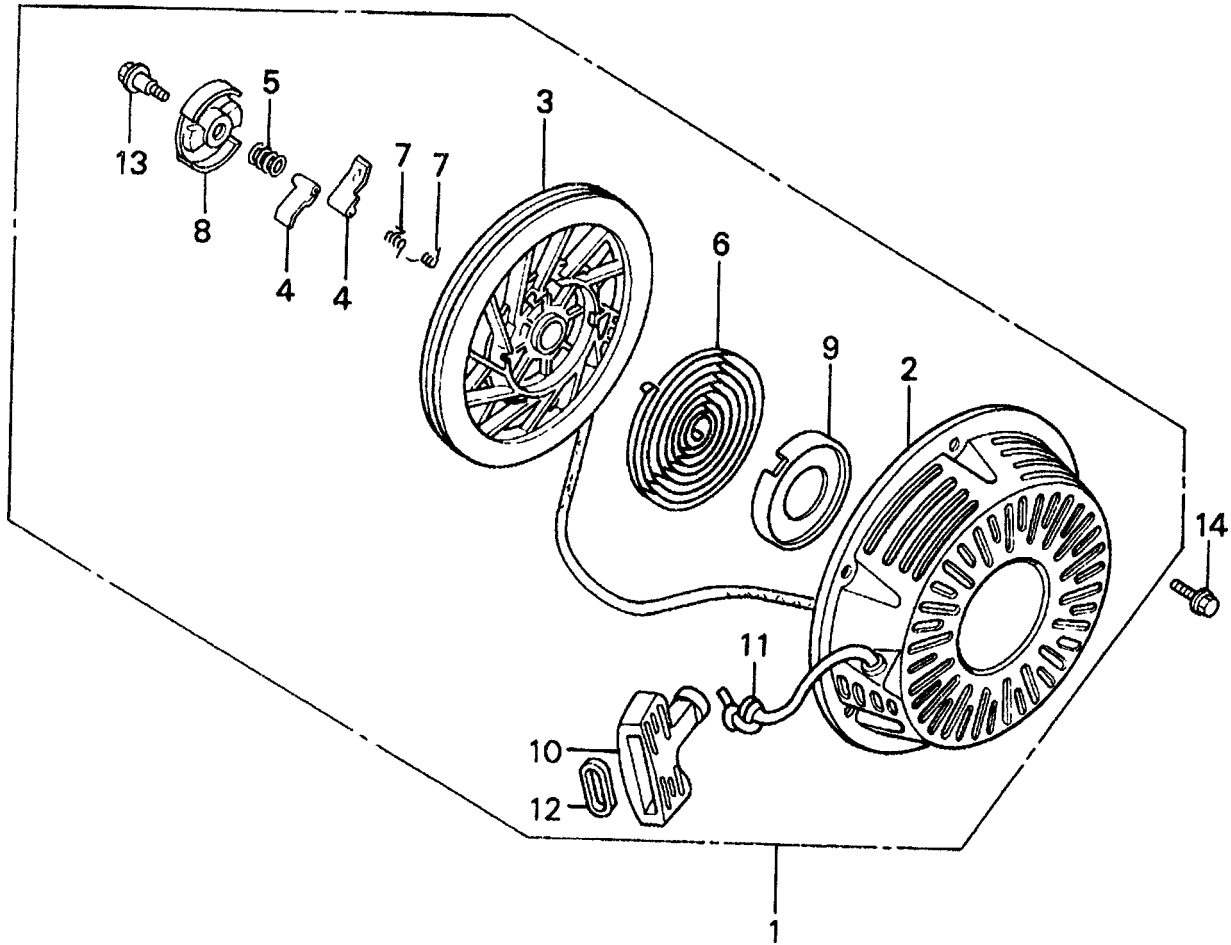
HONDA GX340K1SMX2 — MUFFLER ASSY.

MUFFLER ASSY.

<u>NO.</u>	<u>PART NO.</u>	<u>PART NAME</u>	<u>QTY.</u>	<u>REMARKS</u>
1	18310ZE3W00	MUFFLER	1	
2	18320ZE3W01	PROTECTOR, MUFFLER	1	
3	18323ZE3W40	PROTECTOR, EX. PIPE	1	
4	18330ZE2W00	PIPE, EX.	1	
5	18331ZE3810	CAP, MUFFLER	1	
6	18333ZF6W01	GASKET, EX. PIPE	1	
6	18333ZK6Y00	GASKET, EX. PIPE (WACKER)	1	
8	18355ZE3010	ARRESTER, SPARK	1	
9	18381ZE2W10	GASKET, MUFFLER (ARRESTER)	1	
11	90013883000	BOLT, FLANGE 6X12 (CT200)	1	
12	90050ZE1000	SCREW, TAPPING 5X8	6	
13	90055ZE1000	SCREW, TAPPING 4X6	3	
14	93500060060B	SCREW, PAN 6X6	1	
15	9405008000	NUT, FLANGE 8MM	5	

HONDA GX340K1SMX2 — RECOIL STARTER ASSY.

RECOIL STARTER ASSY.

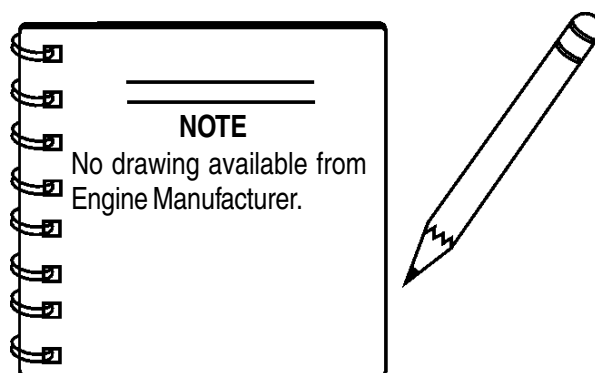


HONDA GX340K1SMX2 — RECOIL STARTER ASSY.

RECOIL STARTER ASSY.

<u>NO.</u>	<u>PART NO.</u>	<u>PART NAME</u>	<u>QTY.</u>	<u>REMARKS</u>
1	28400ZEW01ZA	STARTER ASSY., RECOIL *R8* BGHT RED	1	INCLUDES ITEMS W/*
2	28410ZE3W01ZA	CASE, RECOIL STARTER *R8* BGHT RED	1	
3	28421ZE3W01	PULLEY, RECOIL STARTER	1	
4	28422ZE2W01	RATCHET, STARTER	2	
5	28441ZE2W01	SPRING, FRICTION	1	
6	28442ZE2W01	SPRING, STARTER RETURN	1	
7	28443ZE2W01	SPRING, RATCHET	2	
8	28444ZE2W01	RETAINER, SPRING	1	
9	28445ZE2W01	HOLDER, SPRING	1	
10	28461ZE2W02	GRIP, STARTER	1	
11	28462ZE3W01	ROPE, RECOIL STARTER	1	
12	28469ZE2W01	GRIP, REINFORCEMENT	1	USE UP TO ENG. SN 2935312
13	90004ZE2W01	SCREW, CENTER	1	
14	957010600800	BOLT, FLANGE 6X8	3	

CONTROL ASSY.



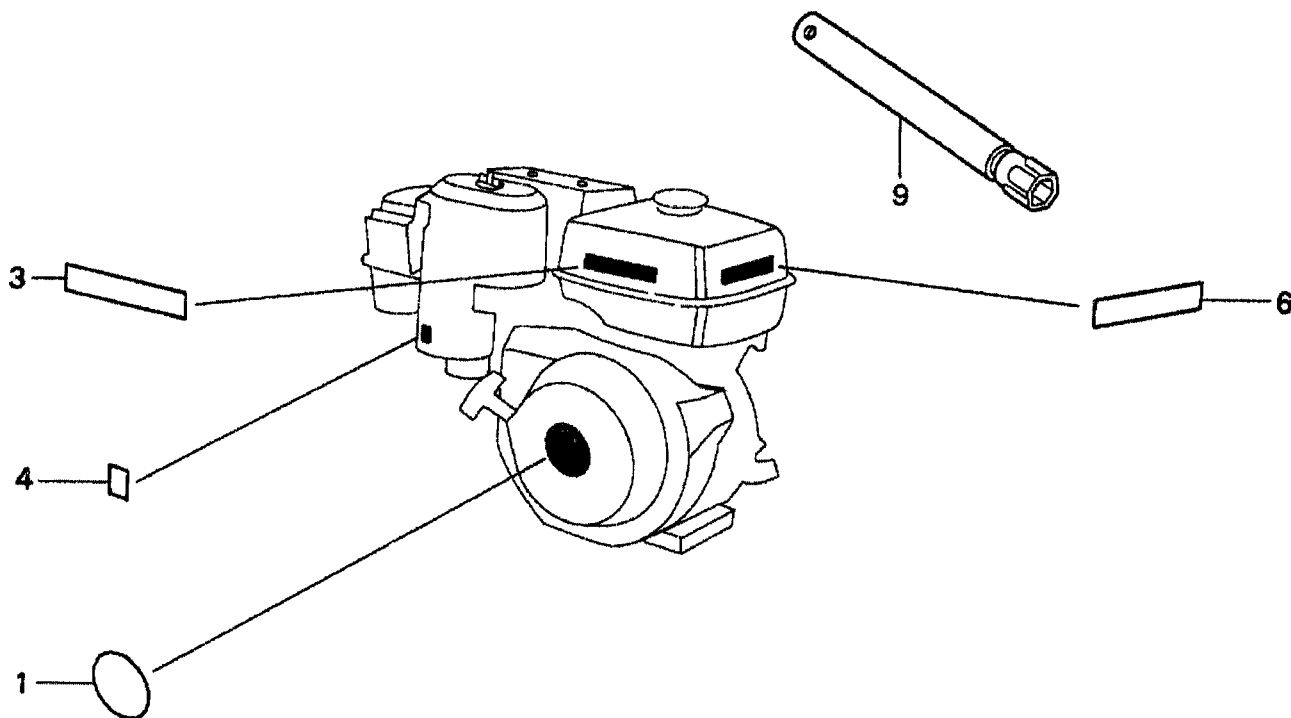
HONDA GX340K1SMX2 — CONTROL ASSY.

CONTROL ASSY.

<u>NO.</u>	<u>PART NO.</u>	<u>PART NAME</u>	<u>QTY.</u>	<u>REMARKS</u>
2	16551ZE3000	ARM, GOVERNOR	1	
3	16555ZE3000	ROD, GOVERNOR	1	
4	16561ZE3000	SPRING, GOVERNOR	1	
5	16562ZE3000	SPRING, THROTTLE RETURN	1	
7	16570ZE3W20	CONTROL ASSEMBLY, REMOTE	1	
8	16571ZE3W00	LEVER, CONTROL	1	
9	16574ZE1000	SPRING, LEVER	1	
10	16575ZE2W00	WASHER, CONTROL LEVER	1	
11	16576891000	HOLDER, CABLE	1	
12	16589ZE1000	SPACER, CONTROL LEVER	1	
14	16584883300	SPRING, CONTROL ADJUSTING	1	
15	16592883310	SPRING, CABLE RETURN	1	
17	90013883000	BOLT, FLANGE 6X12 (CT200)	2	
18	90015ZE5010	BOLT, GOVERNOR ARM	1	
19	90114SA0000	NUT, SELF- LOCK 6MM	1	
22	93500050320A	SCREW, PAN 5X32	1	
23	93500050160A	SCREW, PAN 5X16	1	
24	9405006000	NUT, FLANGE 6MM	1	

HONDA GX340K1SMX2 — LABELS ASSY.

LABELS ASSY.



HONDA GX340K1SMX2 — LABELS ASSY.

LABELS ASSY.

<u>NO.</u>	<u>PART NO.</u>	<u>PART NAME</u>	<u>QTY.</u>	<u>REMARKS</u>
1	87521ZE3W01	EMBLEM	1	
3	87522ZH9000	LABEL, CAUTION	1	
4	87528ZE2810	MARK, CHOKE (EXTERNAL)	1	
6	87532ZH8810	MARK, OIL ALERT (E)	1	
9	89218ZE1000	WRENCH, SPARK PLUG	1	