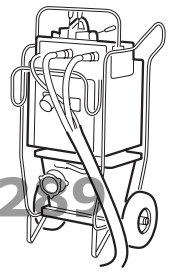


DIMAS

ConstructionParts.com 888-634-4289



IPL, DIMAS PP 345 E, 2004-44, 531 14 12-29

DIMAS PP 345 E

Reservdelar

Spare parts

Ersatzteile

Pieces de rechange

Piezas de repuesto

Ricambi

**Peças
sobresselente**

ConstructionParts.com

ConstructionParts.com

888-634-4289

From machine number: 2230

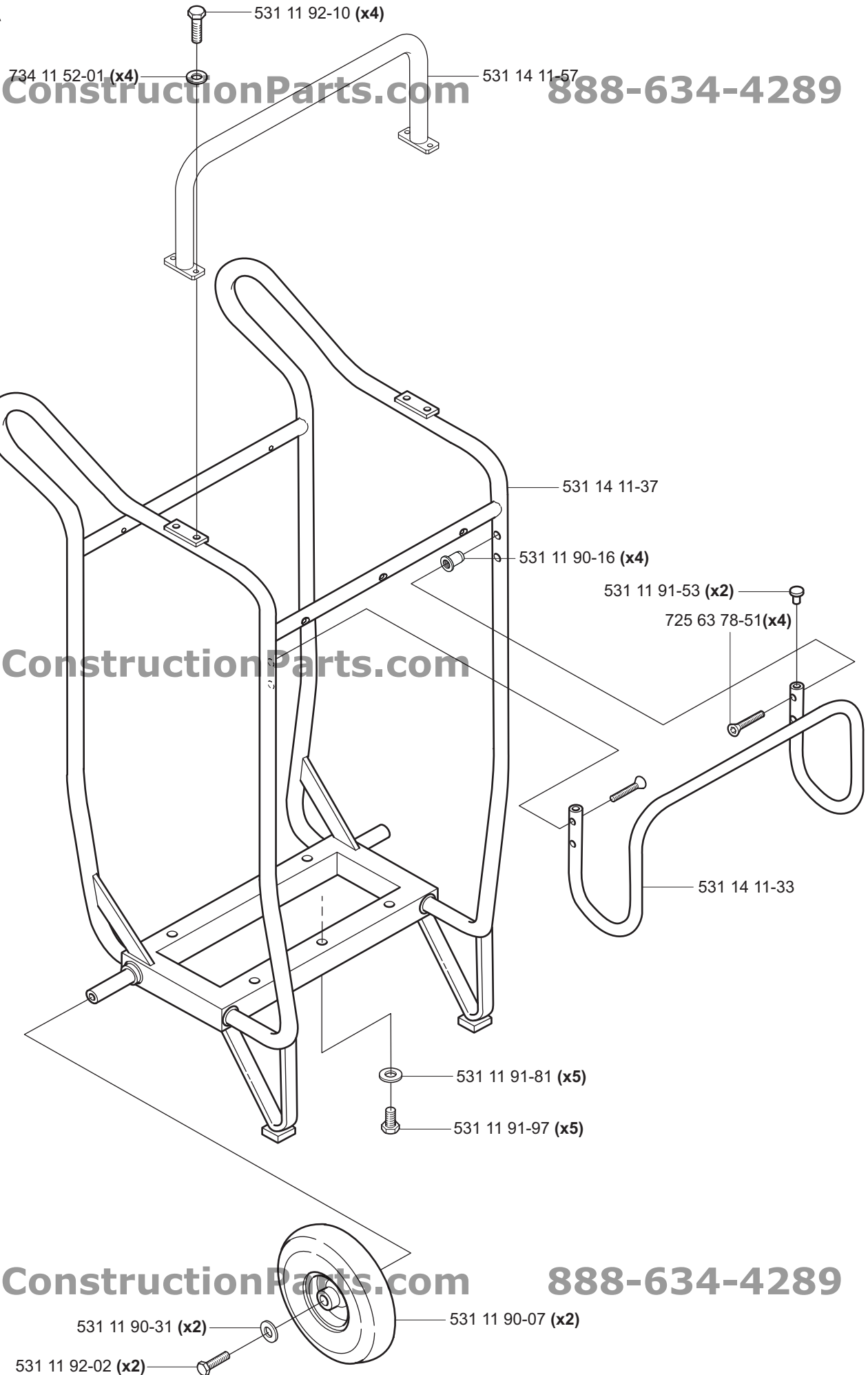
531 14 12-29

DIMAS

No.	Pos.	Description	No.	Pos.	Description
531 11 11-66	E	Valve lever	531 11 80-46	F	Coupling
531 11 50-15	E	Water valve	531 11 80-51	B	Level gauge
531 11 50-16	D	Sequence block	531 11 80-52	F	Tube coupling
531 11 50-18	B	Cooler cpl	531 11 80-53	F	Coupling
531 11 50-59	F	Feeding tube cpl	531 11 80-54	F	Coupling
531 11 50-60	F	Feeding tube cpl	531 11 80-55	F	Coupling
531 11 50-61	F	Feeding tube cpl	531 11 80-56	C	Hydraulic coupling
531 11 50-63	F	Pressure hose cpl	531 11 80-60	D	Sealing plug
531 11 50-64	F	Coupling	531 11 80-61	E	Sealing plug
531 11 50-88	F	Pressure pipe cpl	531 11 80-66	F	Coupling
531 11 50-89	F	Return pipe cpl	531 11 80-77	E	Valve cpl
531 11 51-28	E	Main valve	531 11 80-78	E	Valve
531 11 51-66	B	Filter hose compl.	531 11 80-81	E	Valve
531 11 51-68	C	Shaft coupling	531 11 80-84	C	Valve
531 11 51-84	C	Pressure pipe	531 11 80-86	D	Sequence valve
531 11 70-15	H	Indicator lamp	531 11 80-88	E	Valve cpl
531 11 70-20	H	Switch US/CAN 220V	531 11 80-89	E	Valve
531 11 70-36	H	Din connector	531 11 80-92	D	Directional valve
531 11 70-62	H	Cable grommet	531 11 81-49	B	Filter housing
531 11 70-68	H	Contactora 230-400V	531 11 81-53	F	Hose
531 11 70-73	H	Assembly socket	531 11 81-55	F	Return hose
531 11 70-74	H	Motor protector	531 11 81-56	F	Water hose
531 11 71-00	H	Terminal block	531 11 81-61	B	Coupling
531 11 71-01	H	Terminal block	531 11 81-67	B	Coupling
531 11 71-31	G	Extention socket 32A 440V	531 11 81-74	F	Manometer hose
531 11 71-38	H	Switch 400-600V	531 11 81-75	E	Spring
531 11 71-52	G	Electric inlet 32A 400-440V	531 11 81-76	B	Nut
531 11 71-53	G	Electric inlet 63A 200-230V	531 11 81-91	C	Bulkhead coupling
531 11 71-55	G	Socket	531 11 81-99	E	Knob
531 11 71-67	G	Fuse cover compl.	531 11 82-16	F	Waterhose
531 11 71-73	H	End plate	531 11 82-35	F	Quick coupling
531 11 71-74	H	End support	531 11 82-49	B	Filter
531 11 71-79	C	Electric motor 200V	531 11 82-77	C	Pump 50Hz
531 11 71-80	H	Switch JAP 200V	531 11 82-80	C	Pump 60Hz
531 11 71-82	H	Emergency stop	531 11 90-00	D	Saddle washer
531 11 71-84	H	Contactora 200V	531 11 90-02	B	Cooler
531 11 71-87	H	Lens clear	531 11 90-04	D	Ventilator
531 11 71-94	G	Extention socket 63A 200-230V	531 11 90-07	A	Wheel
531 11 71-95	G	Tubular rivet	531 11 90-08	F	Vent hose
531 11 71-96	G	Spring	531 11 90-09	D	Washer nylon
531 11 72-04	C	Electric motor 400V-440V	531 11 90-10	D	Protective film
531 11 72-05	H	Connection block	531 11 90-14	BF	Clamp
531 11 72-08	G	Personal safety guard	531 11 90-15	B	Hose clamp
531 11 72-11	C	Electric motor 230V	531 11 90-16	A	Pop nut
531 11 72-19	C	Electric motor 600V	531 11 90-17	B	O-ring
531 11 72-21	H	Contactora 600V	531 11 90-18	H	Spacer
531 11 72-22	H	Contactora 440V	531 11 90-24	H	Nut nylon
531 11 72-23	H	Connection block US/CAN	531 11 90-25	H	Rubber plug
531 11 72-27	G	Electric inlet 32A 600V	531 11 90-26	E	Wheel
531 11 72-28	G	Extention socket 32A 600V	531 11 90-30	F	Air filter
531 11 72-38	H	Fuse holder 600V	531 11 90-31	A	Washer
531 11 72-39	H	Fuse 10A 600V	531 11 90-98	E	Spring
531 11 72-71	G	Fuse cover	531 11 90-99	E	Ball
531 11 72-76	H	Switch NOR 230-400V	531 11 91-13	E	Handle
531 11 80-03	B	Coupling	531 11 91-53	A	Plastic plug
531 11 80-05	BF	Hose coupling	531 11 91-81	AC	Washer
531 11 80-06	B	Coupling	531 11 91-83	C	Washer
531 11 80-09	D	Manometer	531 11 91-85	F	Sealing ring 1/2"
531 11 80-10	D	Manometer	531 11 91-86	C	Sealing ring M22
531 11 80-27	F	Cutting edge ring	531 11 91-87	B	Sealing ring M26
531 11 80-28	B	Coupling	531 11 91-97	A	Screw m6s 10x16
531 11 80-29	F	Coupling	531 11 92-00	C	Screw m6s 10x35
531 11 80-35	F	Hydraulic coupling	531 11 92-02	A	Screw m6s 12x25
531 11 80-37	F	Coupling	531 11 92-07	C	Screw m6s 12x45
531 11 80-38	F	Coupling	531 11 92-10	A	Screw m6s 6x12
531 11 80-39	E	Flow control valve cpl	531 11 92-11	D	Screw m6s 6x16
531 11 80-40	E	Flow control valve	531 11 92-19	B	Screw m6s 8x30
531 11 80-41	F	Coupling	531 11 92-24	C	Screw m6sf 8x20
531 11 80-42	F	Coupling	531 11 92-30	E	Screw mc6s 6x100
531 11 80-45	F	Coupling	531 11 92-47	D	Screw mf6s 6x45

No.	Pos.	Description	No.	Pos.	Description
531 11 92-55	E	Screw mlc6s 6x45	734 11 52-01	ACD	Washer 6,4x12
531 11 92-74	E	O-ring 29,2x3	734 11 63-01	B	Washer 8,4x16
531 11 92-93	C	O-ring 80x1,6	740 38 08-01	CE	Sealing ring M6
531 11 92-94	B	O-ring 90x5,3	740 38 18-01	BCF	Sealing ring 1/8"
531 11 92-95	B	O-ring 98,02x3,53	740 38 34-01	BF	Sealing ring 3/8"
531 11 93-25	EF	Washer 5,3x12	740 42 02-00	D	O-ring 4,1x1,6
531 11 93-37	E	Plug	740 42 09-00	E	O-ring 11,1x1,6
531 11 93-40	BC	Plug	740 42 13-00	E	O-ring 15,1x1,6
531 11 93-51	F	Hose clamp	740 43 06-00	E	O-ring 8,3x 2,4
531 11 93-52	E	Screw	740 43 14-00	C	O-ring 16,3x2,4
531 11 93-72	G	Sealing strip			
531 14 10-59	B	Tank			
531 14 10-61	C	Tank cover			
531 14 10-68	B	Bulkhead coupling			
531 14 10-99	H	Indicator			
531 14 11-02	E	Control block			
531 14 11-03	E	Direction block			
531 14 11-06	E	Valve holder			
531 14 11-17	E	Holder			
531 14 11-18	D	Control board			
531 14 11-21	G	Fuse holder			
531 14 11-22	G	Hinge			
531 14 11-24	F	Connection panel			
531 14 11-26	E	Valve lever hub			
531 14 11-27	E	Water valve			
531 14 11-33	A	Hose holder			
531 14 11-34	G	Front cover			
531 14 11-35	D	Sequence block			
531 14 11-36	E	Sealing element			
531 14 11-37	A	Trolley frame			
531 14 11-50	G	Gasket fuse cover			
531 14 11-57	A	Handle			
531 14 11-59	C	Valve plate			
531 14 11-61	G	Thread bushing			
531 14 11-63	B	Cooler flange			
531 14 11-67	C	Nipple			
531 14 11-68	F	Ventilation nipple			
531 14 11-72	D	Restriction screw			
531 14 11-87	D	Type plate			
531 14 11-90	G	Decal			
531 14 11-94	H	Protective enclosure			
531 14 11-95	H	Protective enclosure			
531 14 12-04	DE	Labels for PP 345 E			
531 14 12-05	DG	Sign flach			
531 14 12-11	G	Label			
531 14 12-31	G	Front cover			
531 14 20-96	G	Decal			
721 42 62-00	E	Spring pin			
723 12 20-01	H	Screw mcs 3x6			
723 12 87-01	E	Screw mcs 4x8			
723 12 93-01	H	Screw mcs 4x12			
723 13 25-01	H	Screw mcs 5x10			
723 13 28-01	F	Screw mcs 5x14			
723 13 29-01	G	Screw mcs 5x16			
723 52 89-01	DG	Screw mfs 4x10			
723 52 92-01	G	Screw mfs 4x14			
725 23 80-51	C	Screw m6s 6x50			
725 53 04-01	D	Screw mc6s 4x45			
725 63 68-51	E	Screw mf6s 6x16			
725 63 78-51	A	Screw mf6s 6x40			
728 83 21-05	E	Stop screw 5x6			
728 84 85-05	E	Stop screw 10x10			
731 23 12-01	GH	Nut M4			
731 23 14-01	FGH	Nut M5			
731 23 18-01	BG	Nut M8			
731 23 20-01	BC	Nut M10			
731 23 22-01	C	Nut M12			
732 25 16-01	D	Nut M6 nylock			
734 11 35-71	G	Washer 4,3x8			
734 11 46-01	G	Washer 5,3x10x1			

A

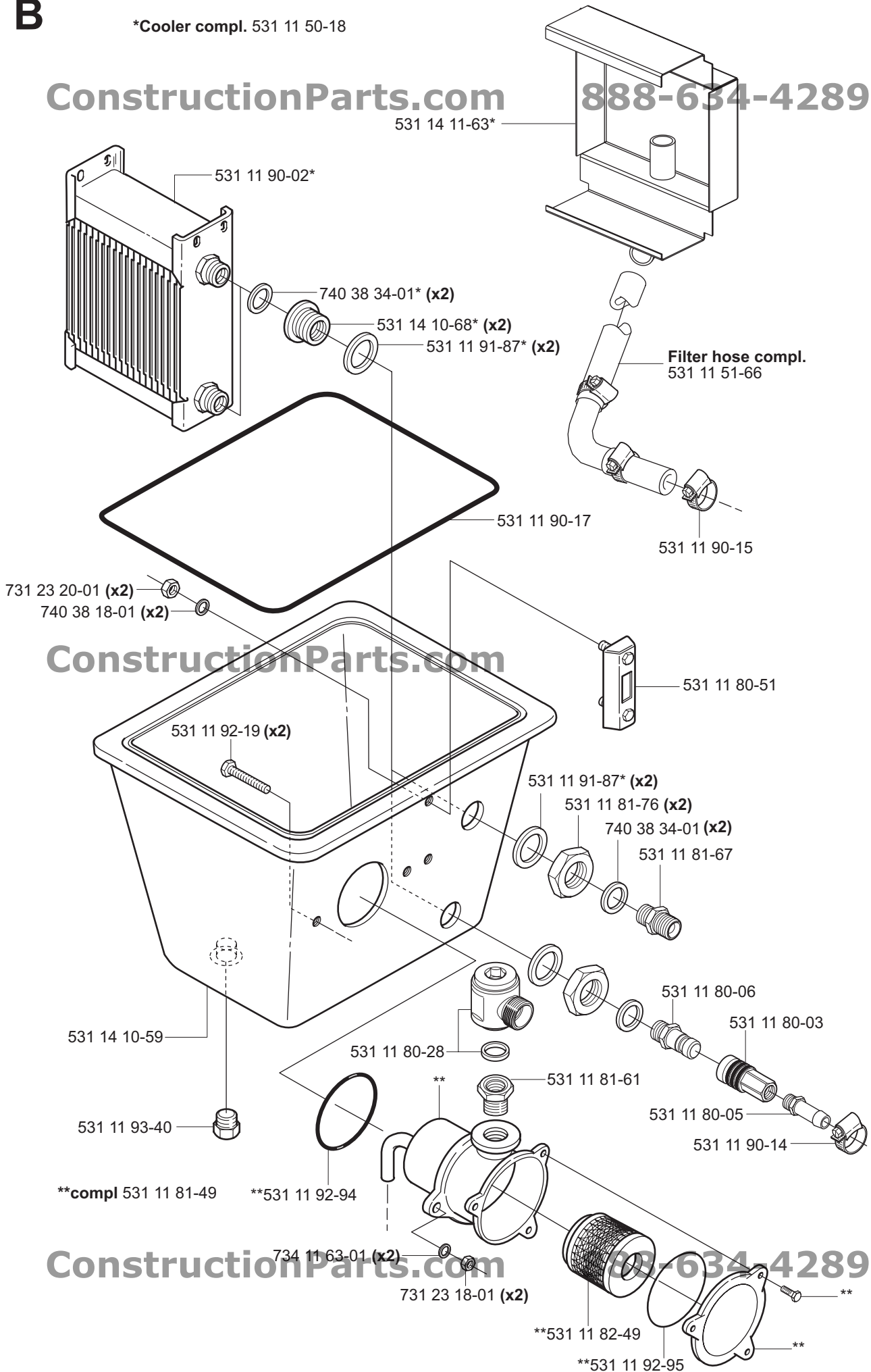


B

*Cooler compl. 531 11 50-18

ConstructionParts.com

888-634-4289



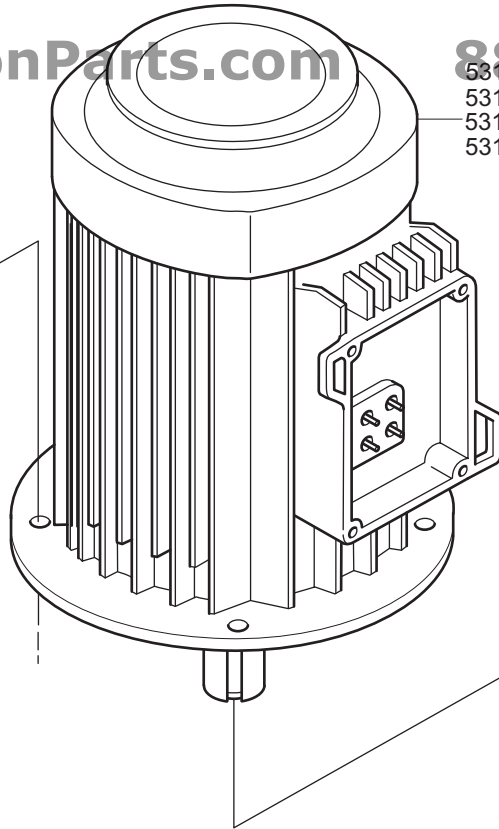
C

ConstructionParts.com

888-634-4289

- 731 23 22-01 (x4)
- 531 11 91-83 (x4)

- 531 11 71-79 (200V)
- 531 11 72-11 (230V)
- 531 11 72-04 (400-440V)
- 531 11 72-19 (600V)



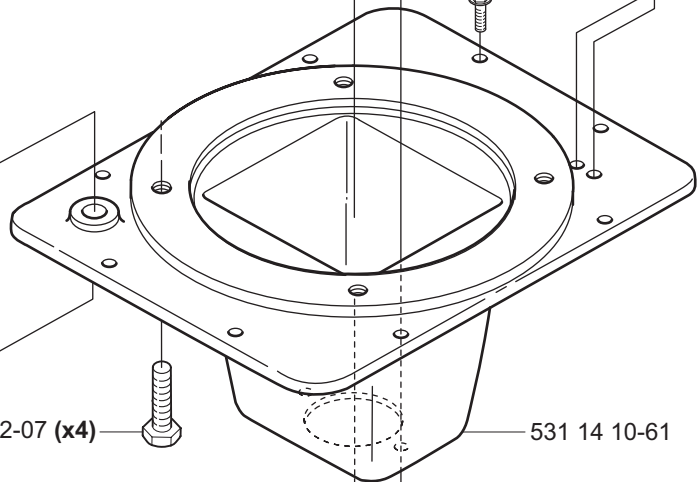
- 531 11 51-68

- 531 11 92-00 (x2)
- 740 38 18-01 (x2)

ConstructionParts.com

- 531 14 11-67 (x2)
- 740 38 08-01 (x2)
- 531 11 92-24 (x8)

- 531 11 81-91
- 531 11 91-86



- 531 14 10-61

- 531 11 92-07 (x4)

- 531 11 93-40

- 725 23 80-51 (x3)
- 734 11 52-01 (x3)

- 531 11 92-93

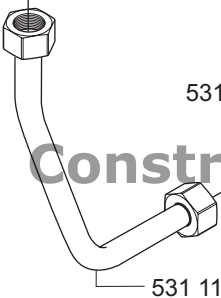
- 531 11 82-80 (60Hz)
- 531 11 82-77 (50Hz)

- 531 14 11-59

- 531 11 80-56

ConstructionParts.com

888-634-4289



- 531 11 51-84

- 531 11 80-84

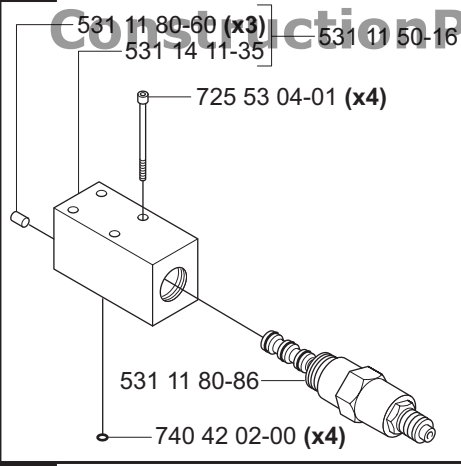
- 740 43 14-00

- 531 11 91-81 (x2)

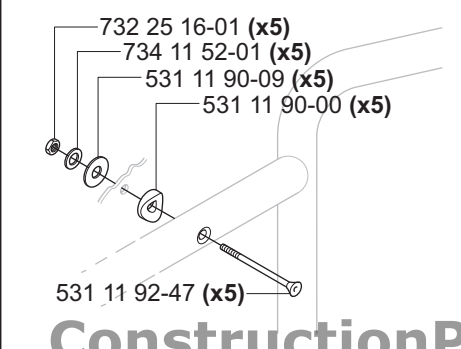
- 731 23 20-01 (x2)

D

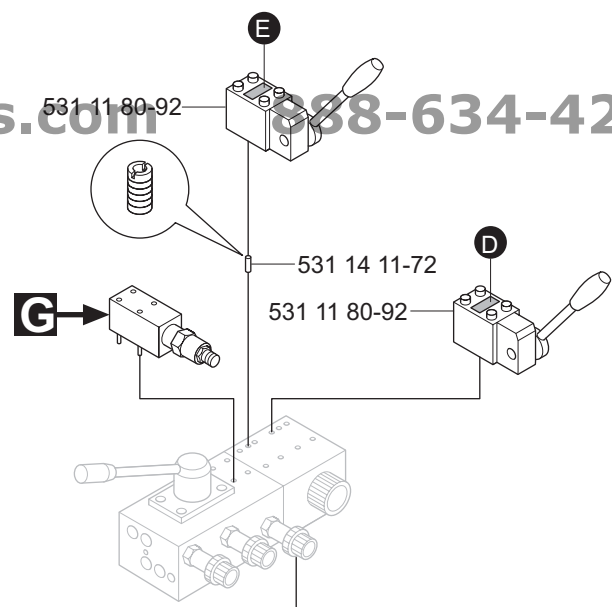
G



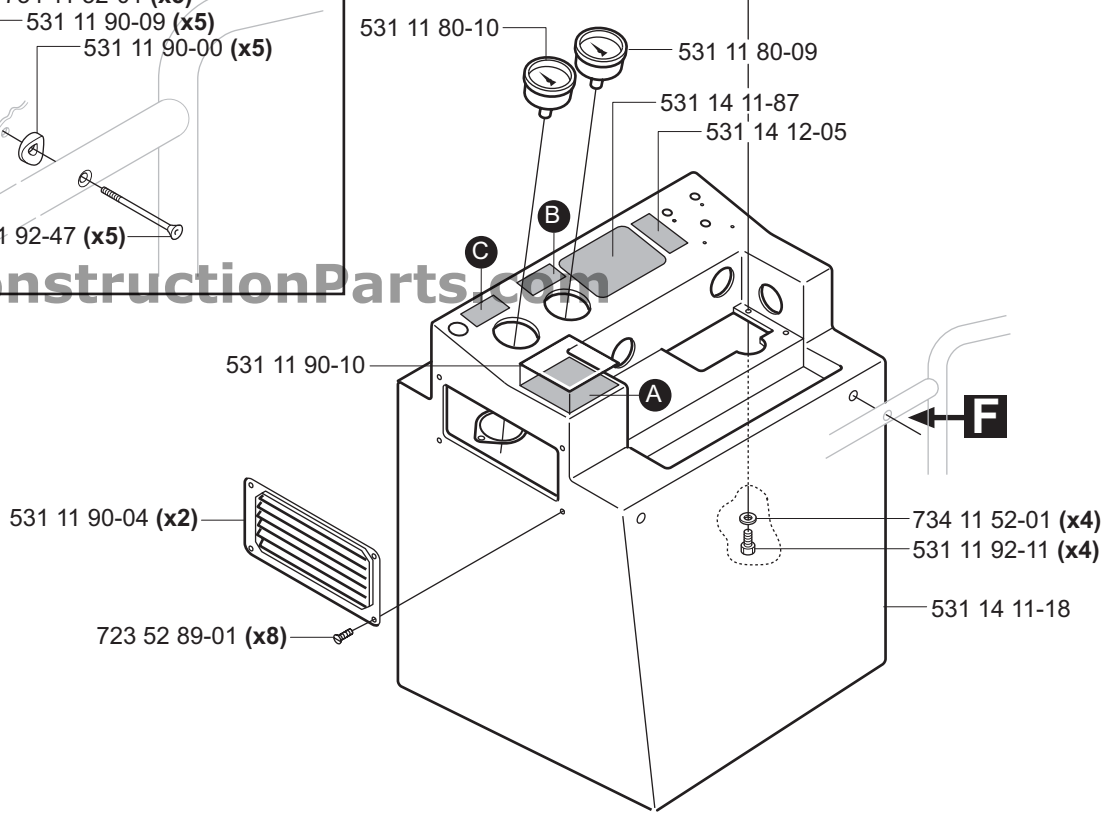
F



ConstructionParts.com 888-634-4289



ConstructionParts.com



531 14 11-87

531 14 12-05



MADE IN SWEDEN BY
DIMAS AB
SE-690 45 ASBRO

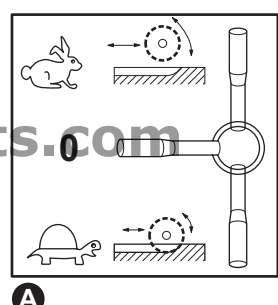
TYPE

No	MAX	L/min
CE	MAX	BAR

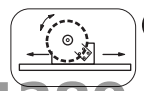
ConstructionParts.com

888-634-4289

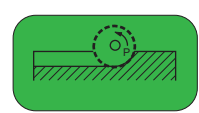
Labels for PP 345 E 531 14 12-04



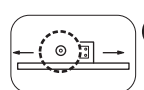
B



D



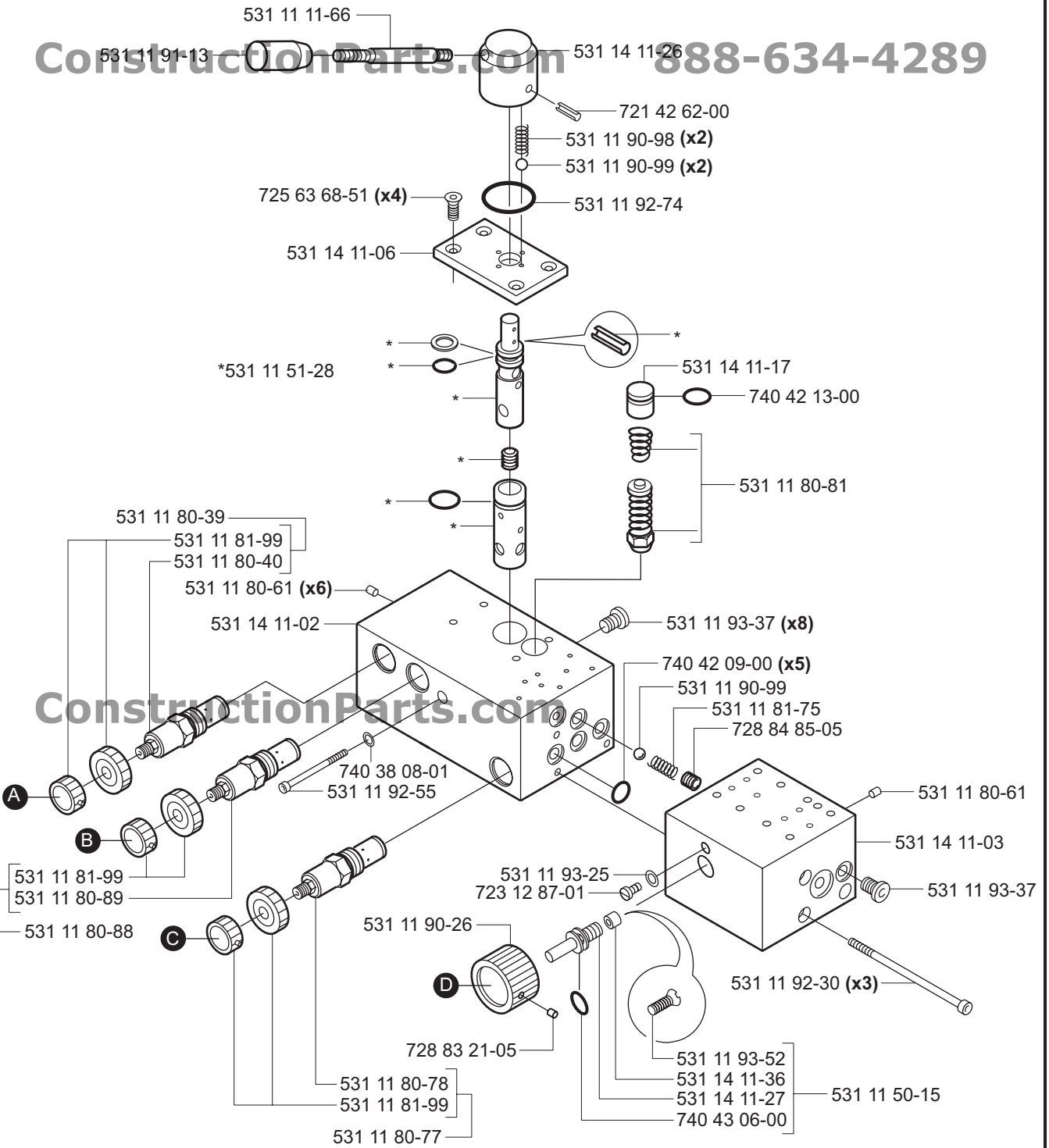
C



E

E

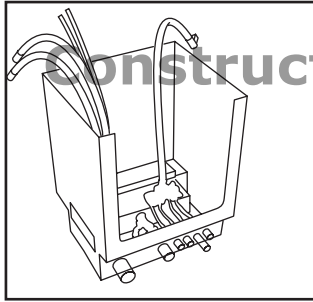
ConstructionParts.com 888-634-4289



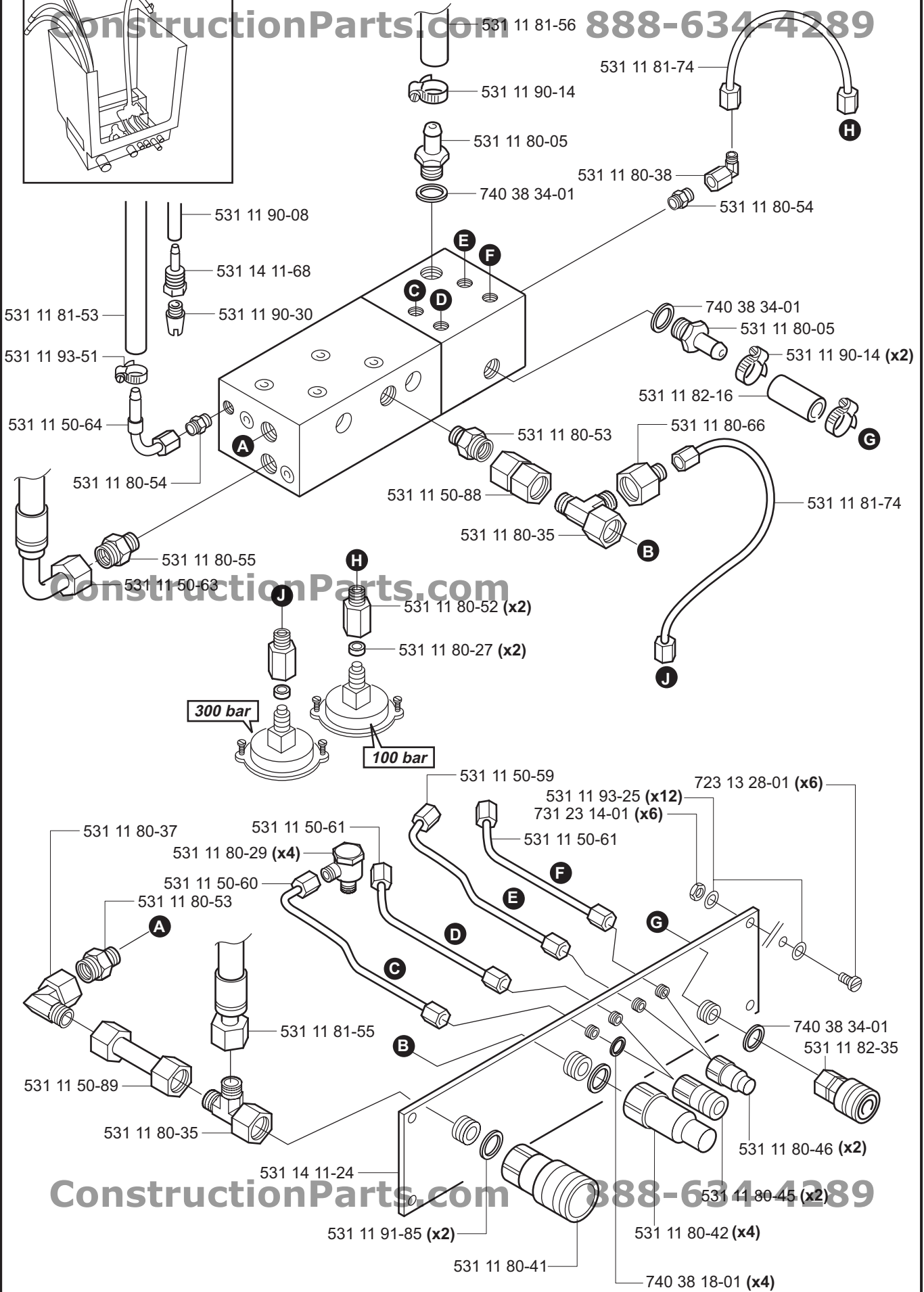
ConstructionParts.com 888-634-4289

531 14 12-04

F



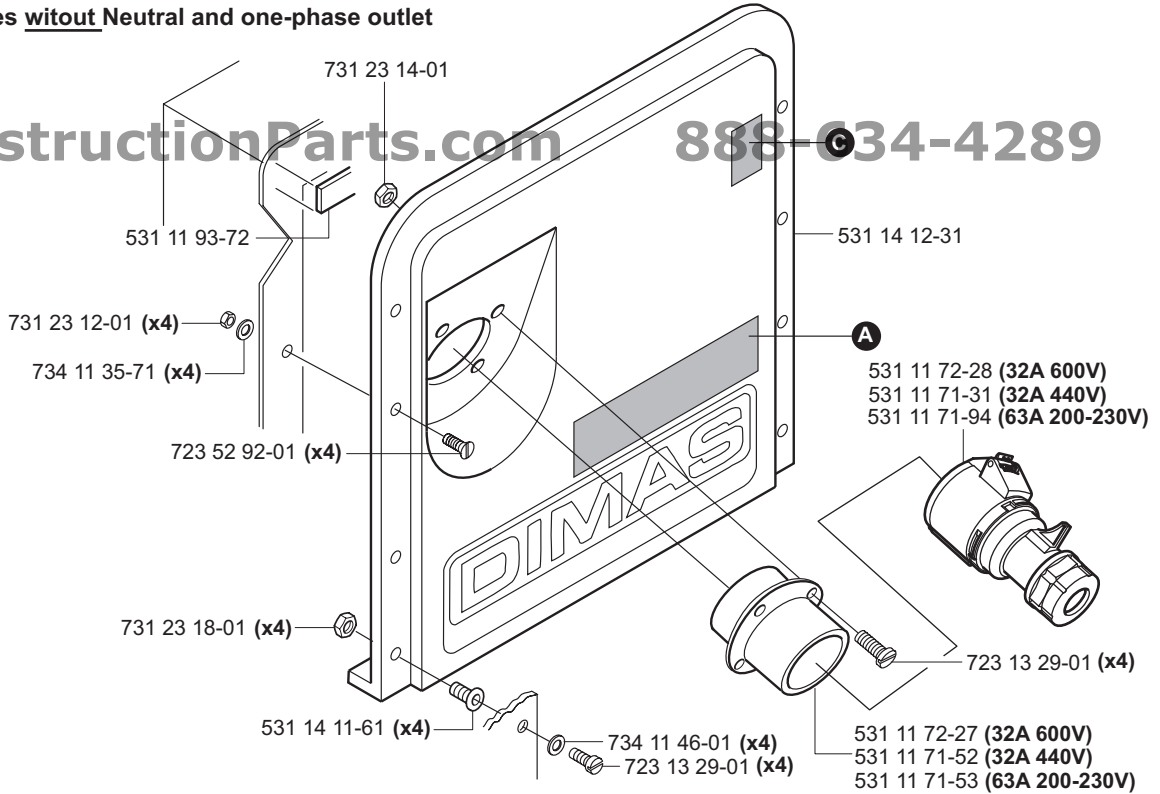
ConstructionParts.com 888-634-4289



ConstructionParts.com 888-634-4289

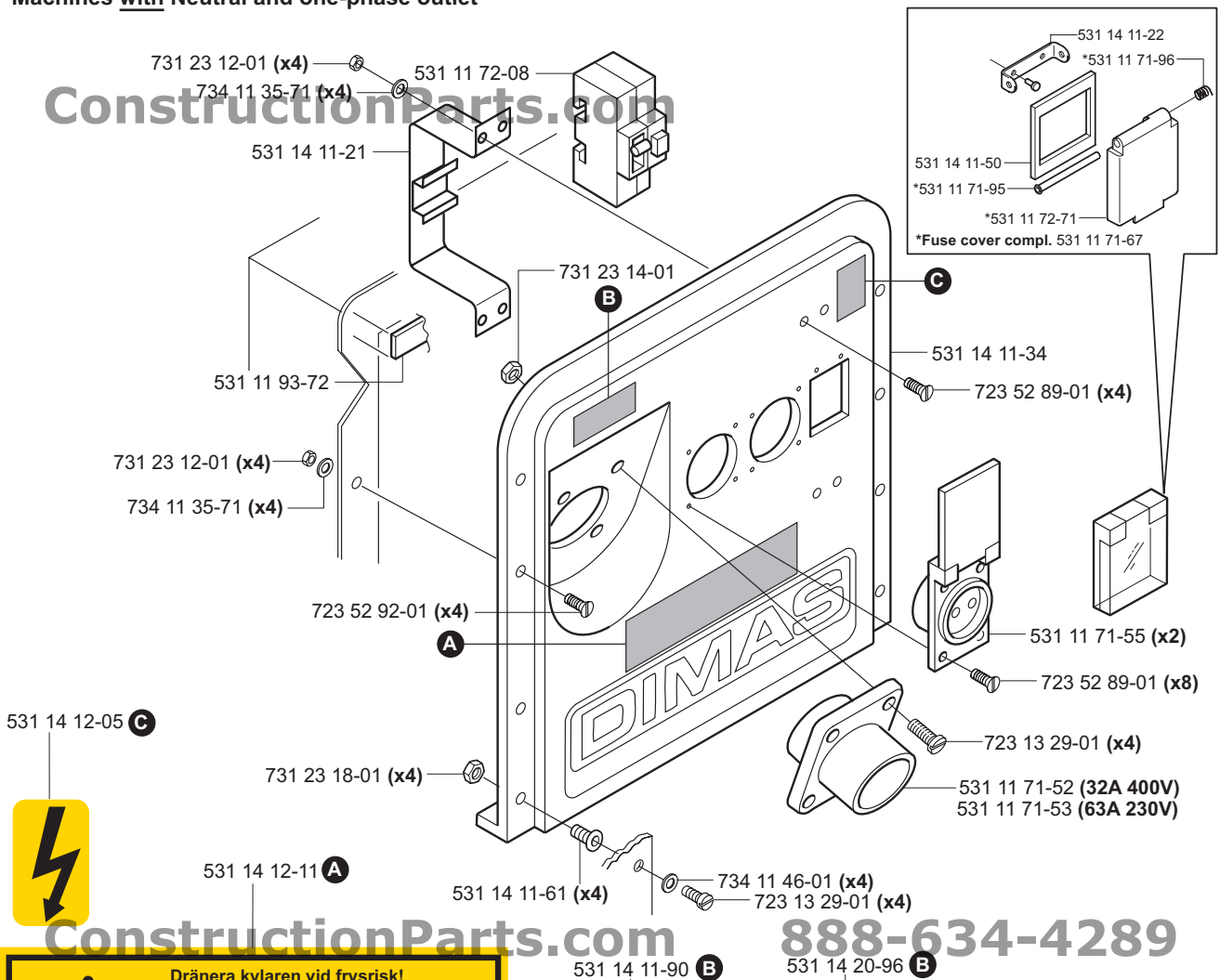
G Machines witout Neutral and one-phase outlet

ConstructionParts.com 888-634-4289



Machines with Neutral and one-phase outlet

ConstructionParts.com



ConstructionParts.com 888-634-4289

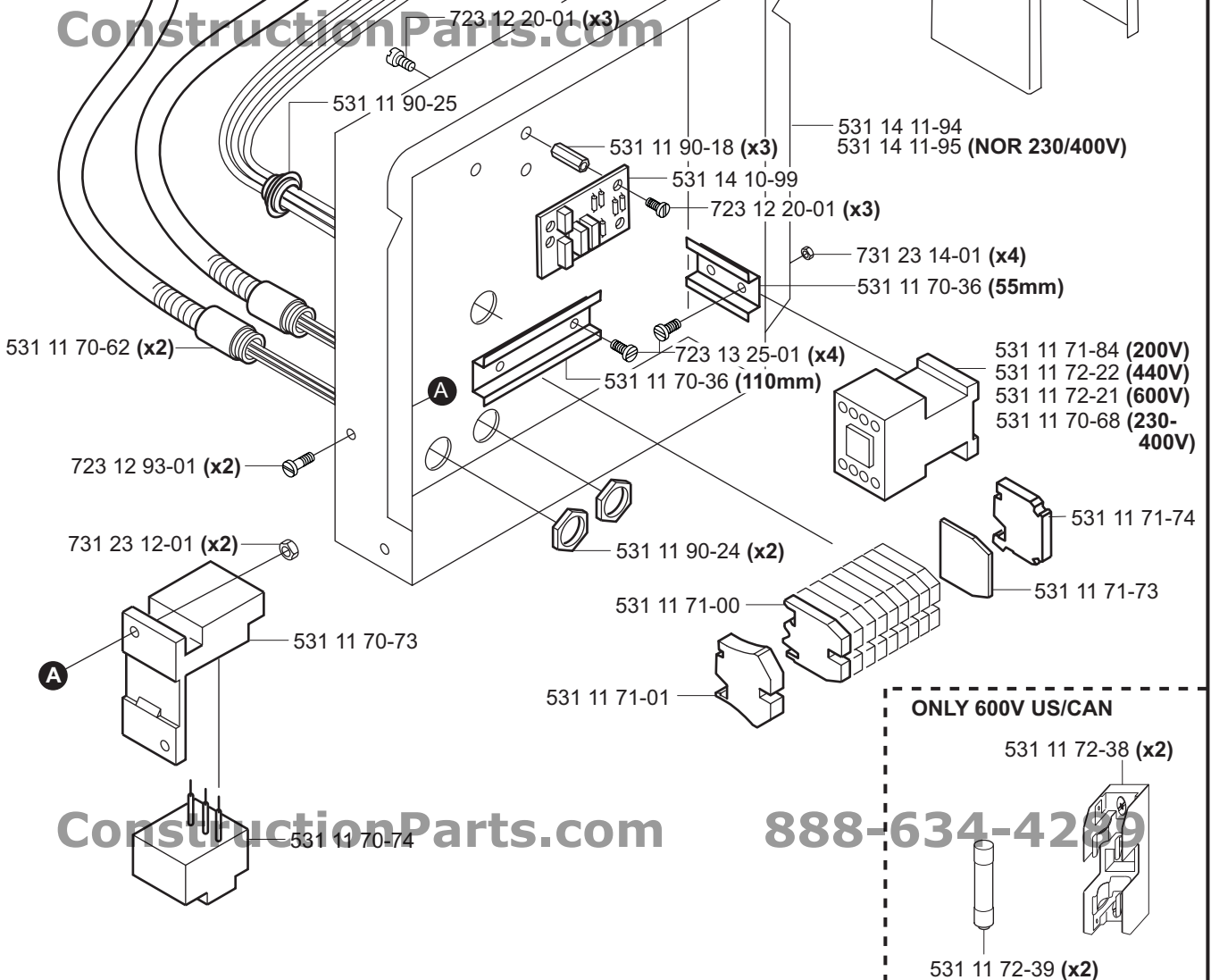
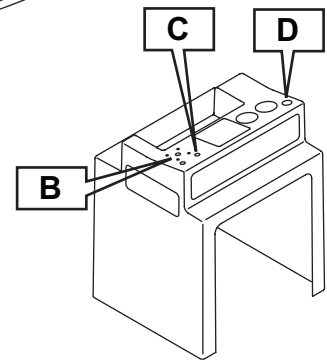
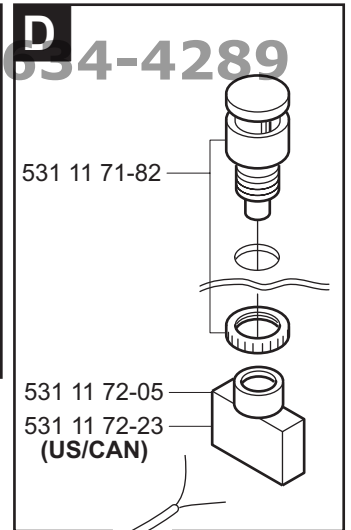
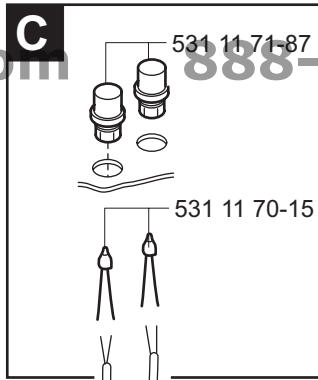
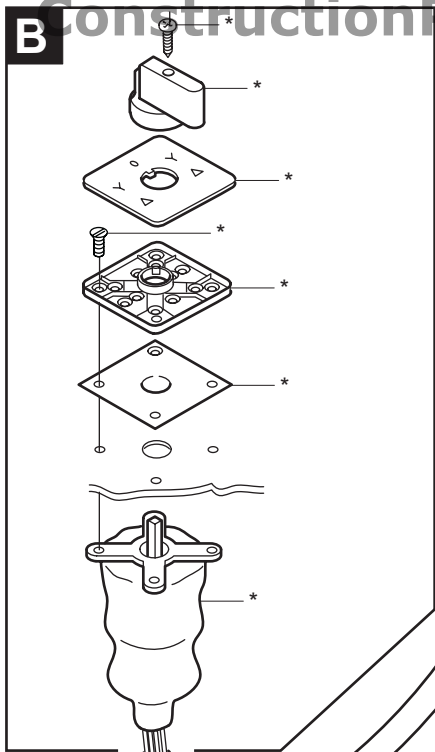


Dränera kylaren vid frysrisk!
Drain the radiator to avoid freezing!
Bei Frostgefahr unbedingt das Wasser aus dem Oelkuhler ablassen!

3 x 380-420V
32A 50Hz

3 x 400V + N 32A
3 x 230V 63A
50Hz

- H** *compl 531 11 71-38 (400-600V)
 *compl 531 11 72-76 (NOR 230/400V)
 *compl 531 11 70-20 (US/CAN 230V)
 *compl 531 11 71-80 (JAP 200V)



ConstructionParts.com

888-634-4289