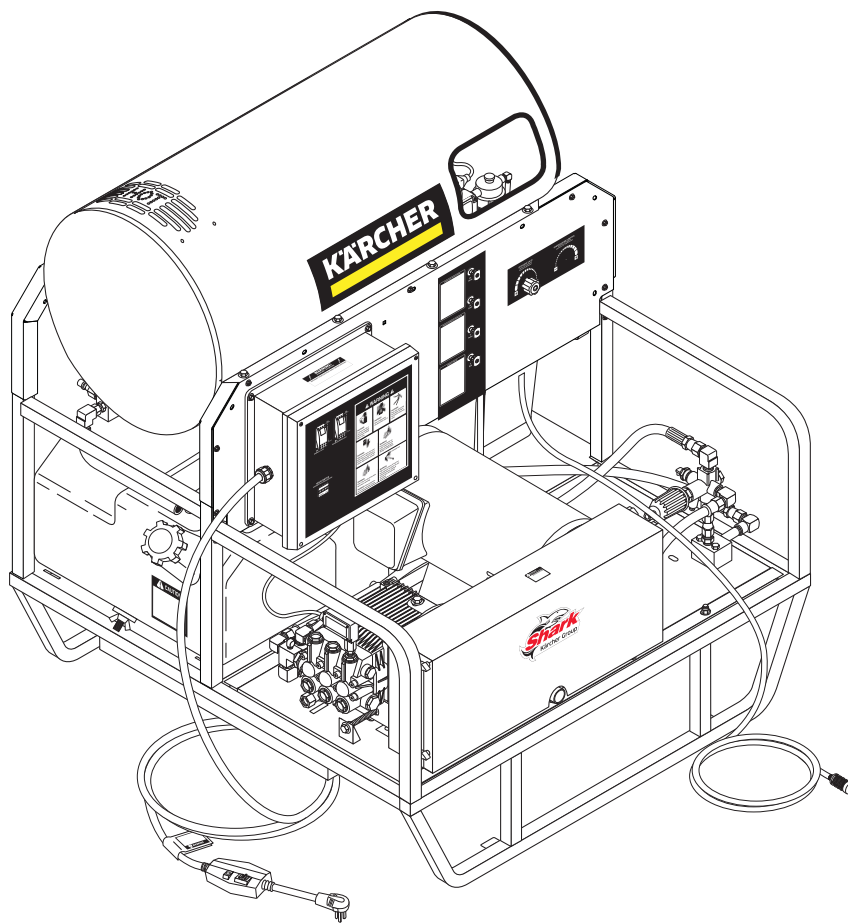


KÄRCHER

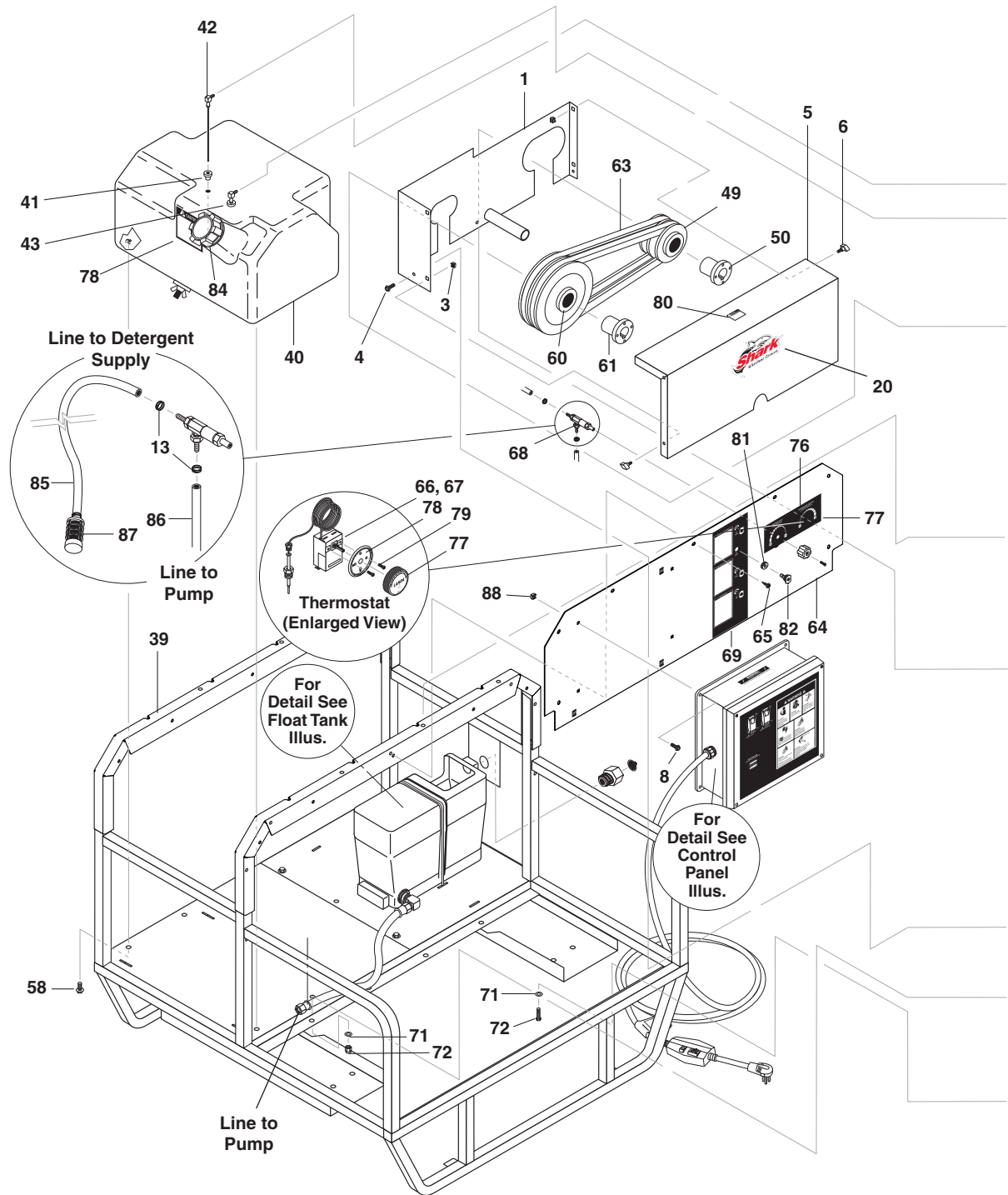


OPERATOR'S MANUAL

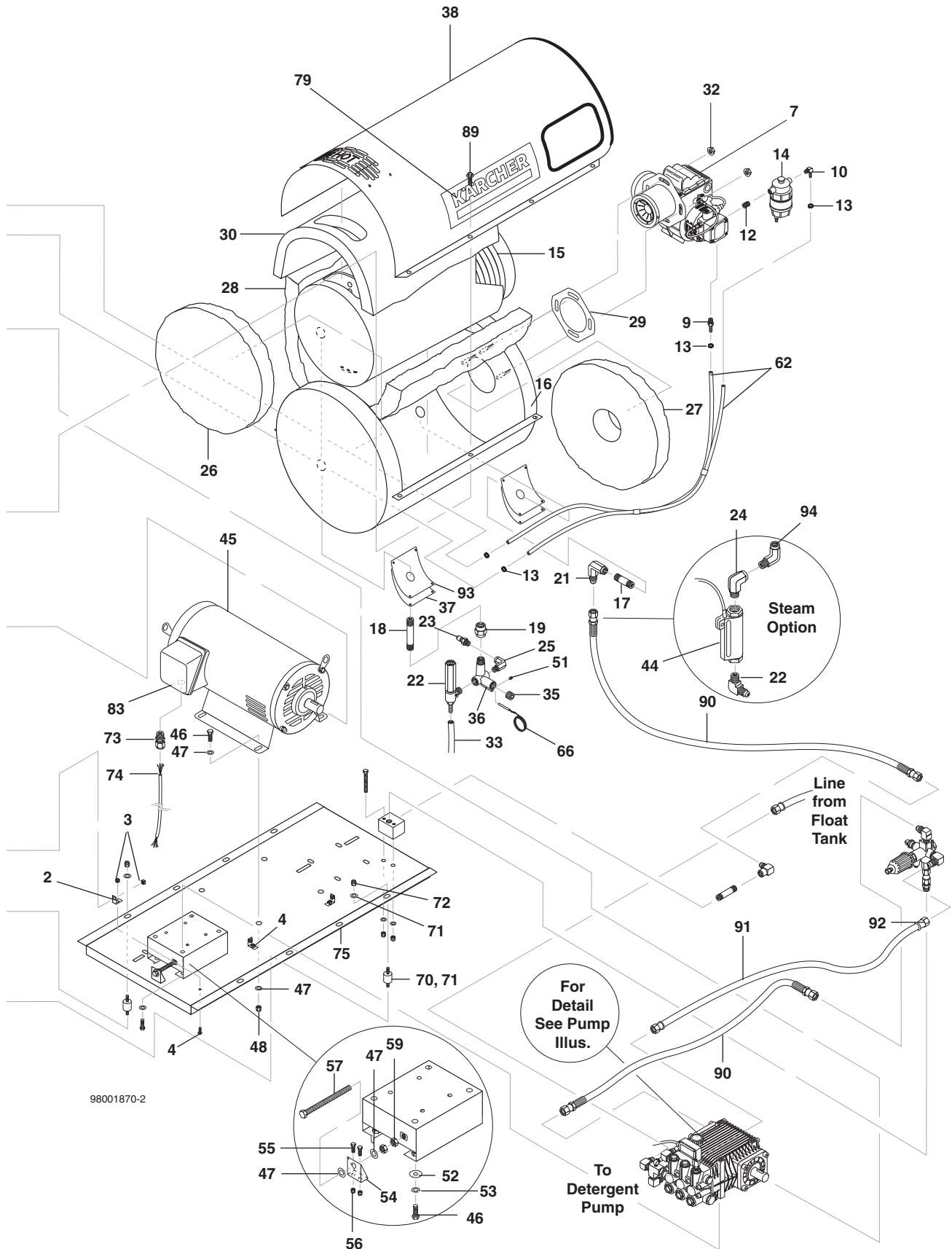


<u>MODEL #</u>	<u>ORDER #</u>
HDS 4.8/30 Ea / SSE-503007A	1.575-620.0
HDS 4.8/30 Eb / SSE-503007B	1.575-621.0
HDS 4.8/30 Ec / SSE-503007C	1.575-622.0

EXPLODED VIEW - LEFT SIDE



EXPLODED VIEW - RIGHT SIDE



EXPLODED VIEW PARTS LIST

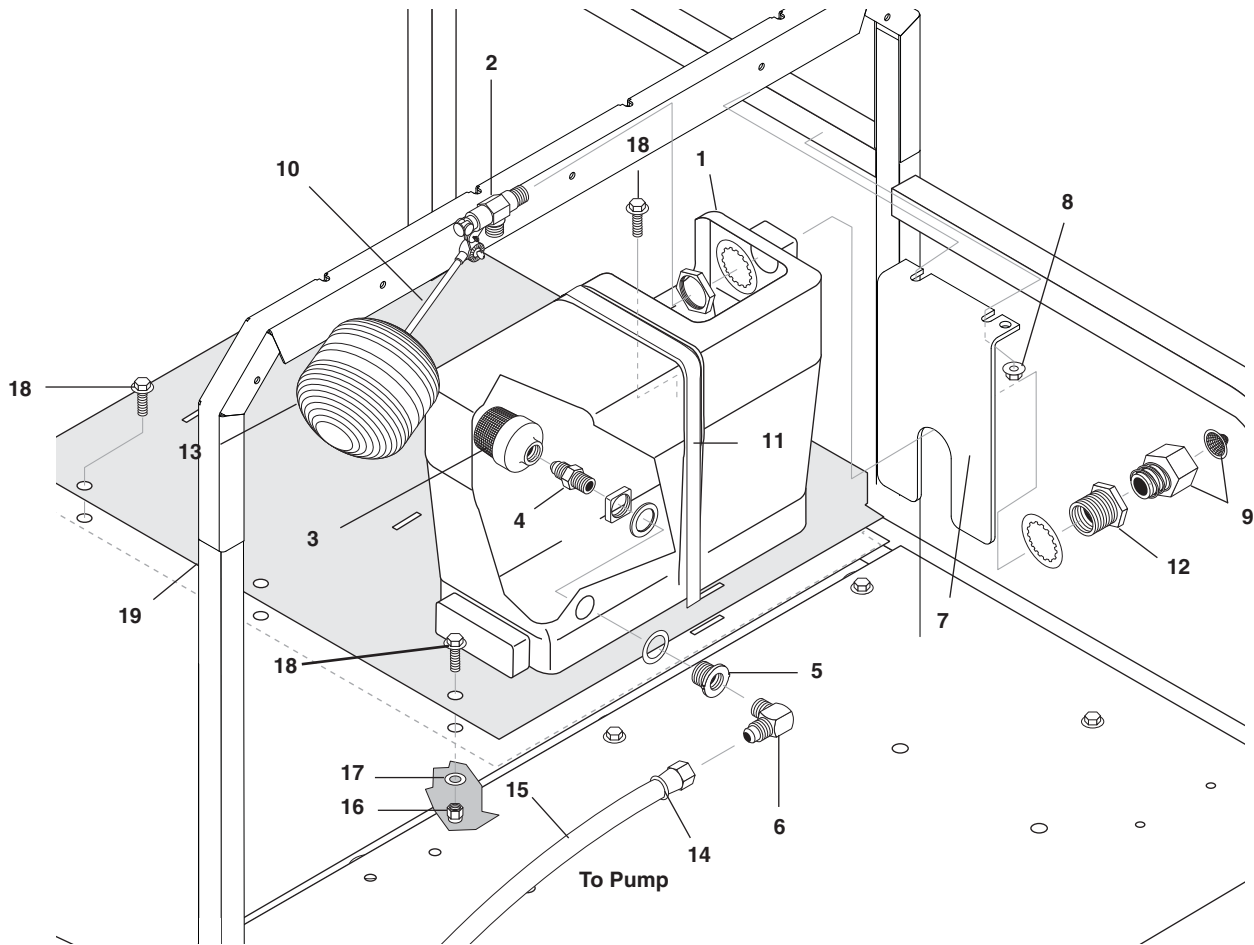
ITEM	PART NO.	DESCRIPTION	QTY	ITEM	PART NO.	DESCRIPTION	QTY
1	9.803-002.0	Face Plate, Belt Guard	1	33	8.711-785.0	Hose, 3/8" Push-On	24"
2	9.802-872.0	Tab, Belt Guard Mount	3	34	9.802-797.0	▲ Screw, SS #10 x 1/2" Hex Head Tek	8
3	9.802-794.0	Nut, Cage, 1/4" x 12 Gauge	14	35	8.706-248.0	Plug 3/8	1
4	9.802-753.0	Screw, 1/4" x 3/4" HH NC, Whiz Loc	6	36	9.149-003.0	Discharge Manifold	1
5	9.803-015.0	Belt Guard, Short, No Relief	1	37	9.803-132.0	Insulation Retainer Plate	2
6	9.802-746.0	Thumb Screw, 1/4"-20 x 1/2"	4	38	9.803-005.0	Top Wrap, SS	1
7	Burner Assembly, See Burner Specifications			39	8.928-242.0	ASSY, FRAME, SUPER SKID	1
8	9.804-0030.0	Screw, 1/4" x 3/4", BHSCS	4	40	9.802-080.0	Tank, Fuel, 8 Gallon, Black	1
9	9.802-138.0	Hose Barb, 1/4" BRB x 1/4" MNPT	1	41	9.802-053.0	Bushing, Rubber Nitrile	2
10	9.802-143.0	Hose Barb, 1/4" BRB x 1/4" MNPT, 90°	1	42	9.802-056.0	Diptube Assy, Plastic 10.75" Long	1
11	9.802-519.0	▲ Strain Relief	1	43	9.802-054.0	Elbow, Fuel Tank Zinc	1
12	9.802-108.0	Nipple, 1/4" Hex	1	44	9.802-459.0	Switch, MV60 (Steam Option)	1
13	6.390-126.0	Clamp, Hose, .46 - .54	9	45	9.804-045.0	Motor, 10 HP/1PH/230V (620.0)	1
14	8.725-306.0	Filter, Fuel, Oil H ₂ O	1		9.802-335.0	Motor, 10 HP/3PH/230V, 460V (621.0, 622.0)	1
15	9.803-014.0	Coil, Rodless	1	46	9.802-720.0	Bolt, 3/8" x 1", NC HH	7
16	9.803-006.0	Weldment, Bottom Wrap, SS, Super Skid	1	47	9.802-807.0	Washer, 3/8", SAE Flat	12
17	9.802-013.0	Nipple, 1/2" x 2-1/2", Galvanized, Sch 80	1	48	9.802-779.0	Nut, 3/8", SAE Flat	4
18	9.802-015.0	Nipple, 1/2" x 4", Galvanized, Sch 80	1	49	9.802-383.0	Pulley, Motor, 2BK36H	1
19	8.706-141.0	Coupling	1	50	9.802-401.0	Bushing, Motor, H x 1-3/8"	1
20	8.756-760.0	Label, Shark Logo Die-Cut, Medium	1	51	9.196-012.0	Screw, 10-24" x 1/4"	1
21	9.802-043.0	Elbow, 1/2" JIC, 1/2", 90°	1	52	9.802-099.0	Washer, Snubbing	3
22	9.802-039.0	Elbow, 1/2" JIC x 3/8" Male Pipe (Steam Option)	1	53	9.802-814.0	Washer, 3/8", Lock, Split Ring	3
23	9.802-171.0	Nipple, 3/8" x 3/8" NPT ST Male	1	54	9.803-009.0	Bracket, Belt Tension	1
24	8.706-207.0	Elbow, 3/8" Street (Steam Option)	1	55	9.802-710.0	Bolt, 5/16" x 1", NC HH	2
25	8.706-207.0	Elbow, 3/8" Street	1	56	9.802-776.0	Nut, 5/16", ESNA, NC	2
26	9.802-883.0	Insulation, Front Head, No Hole	1	57	9.802-733.0	Bolt, 3/8" x 3-1/2", Tap	1
27	9.802-894.0	Insulation, Burner Head, w/Hole	1	58	9.802-754.0	Bolt, 1/4-20 x 1/2" Hex	4
28	9.802-896.0	Insulation, Blanket-No Foil, 24" x 57"	1	59	9.802-789.0	Nut, 3/8" HEX, NC	2
29	9.802-653.0	Gasket, Burner Flange	2	60	9.804-060.0	Pulley, Pump, 2BK65H	1
30	9.802-902.0	Insulation/Blanket-Die Cut 28" x 24"	1	61	9.802-403.0	Bushing, Pump, HX 25mm	1
31	9.802-727.0	▲ Bolt, 3/8" x 1-3/4" Tap	2	62	9.802-254.0	Hose, 1/4", Push-On, Fuel Line, 60"	2
32	9.802-781.0	Nut, 3/8", Flange, Whiz Loc, NC	5	63	9.802-418.0	Belt, BX39	1
				64	9.804-056.0	Panel, Control	1
				65	8.750-246.0	SCREW, 1/4" x 1/2" NC, WHIZ LOC BLK CAD	7
				66	8.750-094.0	Thermostat, Adjustable, 302°F	1
				67	9.802-447.0	▲ Conduit, Corrugated Tubing, 1/4", 100 ft. Roll	40"
				68	9.804-044.0	Valve, Metering, 1/4" Hose	1
				69	9.800-185.0	Label, Operating Inst	1

EXPLODED VIEW PARTS LIST (CONT)

ITEM	PART NO.	DESCRIPTION	QTY
70	9.802-060.0	Isolator	6
71	9.802-804.0	Washer, 5/16" Flat	12
72	9.802-776.0	Nut, 5/16" ESNA	6
73	9.802-519.0	Strain Relief (622.0)	1
	9.802-521.0	Strain Relief (620.0, 621.0)	1
74	9.802-429.0	Motor Cord, 12/4 (622.0)	36"
	9.804-049.0	Motor Cord, 6-3 (620.0)	36"
	9.802-426.0	Motor Cord, 8/4 (621.0)	36"
75	9.802-999.0	Weldment, Sub-Frame, Super Skid	1
76	9.800-039.0	Label, Detergent Valve	1
77	8.750-096.0	Knob, Thermostat	1
78	8.712-190.0	Bezel, Thermostat	1
79	8.718-779.0	Screw, 4 mm x 6 mm	2
77	9.800-186.0	Label, Temperature Control	1
78	9.800-002.0	Label, Use Kerosene Only	1
79	9.800-110.0	Label, Stripe	1
80	9.800-007.0	Label, Warning, Exposed Pulleys	1
81	9.802-064.0	Grommet, Nozzle Holder	4
82	8.712-357.0	Nozzle, SAQCMEG 0055, Red	1
	8.712-358.0	Nozzle, SAQCMEG, 5055, Yellow	1
	8.712-359.0	Nozzle, SAQCMEG 25055, Green	1
	8.712-360.0	Nozzle, SAQCMEG 40055, White	1
83	9.802-522.0	▲ Strain Relief, Motor, 1.0"	1
84	9.802-089.0	Cap, Fuel Tank, Plastic H60-AV	1
85	9.802-251.0	Hose, Clear Vinyl	6 ft.
86	9.802-252.0	Hose, Braided Vinyl	4 ft.
87	9.803-672.0	Strainer, 1/4" Brass, w/Check Valve	1
88	9.802-794.0	Nut, Cage, 1/4" x 12 Gauge	4
89	9.802-781.0	NUT, 3/8" NC, WHIZ LOC FLANGE	8
90	8.918-428.0	Hose, 3/8" x 48", 2 Wire, Pressure	2
91	9.802-259.0	Hose, 1/2", Push-On	4 ft.
92	9.802-151.0	Swivel, 1/2" JIC, Push-On	2
93	9.802-899.0	Gasket, Burner Plate	2
94	9.802-024.0	Elbow, 1/2" x 3/8" Pipe (Steam Option)	1

▲ Not Shown

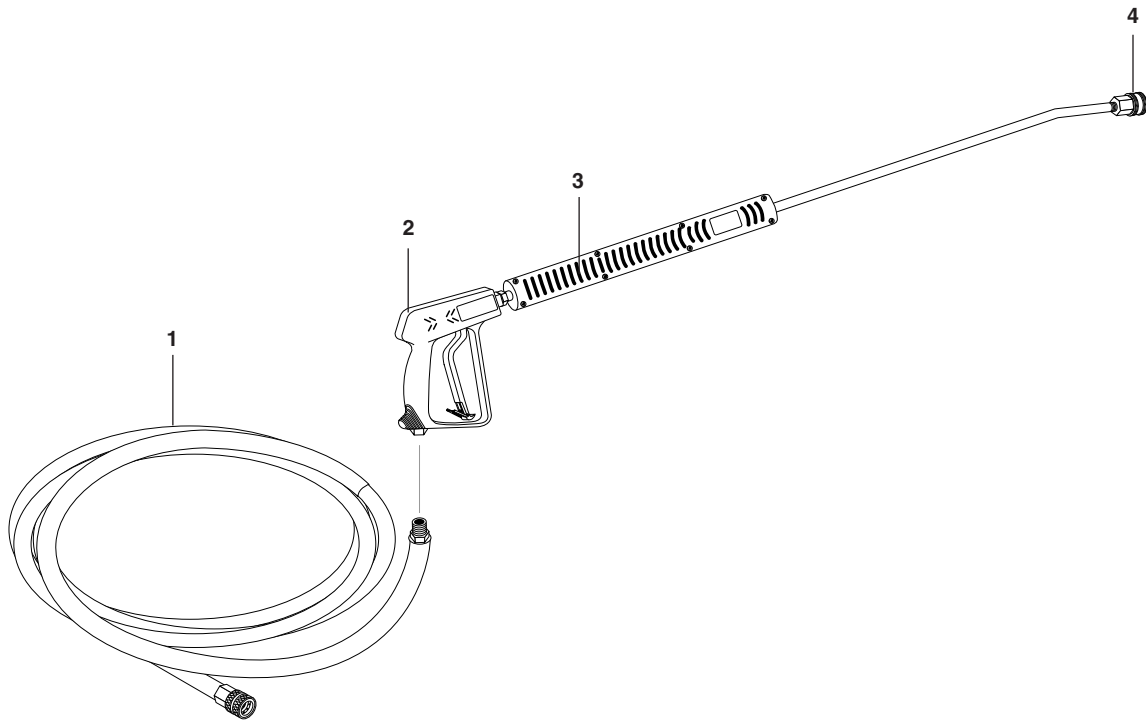
FLOAT TANK EXPLODED VIEW



FLOAT TANK EXPLODED VIEW PARTS LIST

ITEM	PART NO.	DESCRIPTION	QTY	ITEM	PART NO.	DESCRIPTION	QTY
1	9.804-042.0	Tank, Float, 2-1/2 Gal., Blank	1	13	9.802-061.0	Ball, Float, Black Plastic	1
2	8.749-328.0	Valve, Float, Plastic	1	14	9.802-152.0	Swivel, 3/4" SAE FEM	2
3	9.802-162.0	Strainer, 1/2" Basket	1	15	9.802-261.0	Hose, 3/4" Push on/FT	2
4	9.802-127.0	Nipple, 1/2" JIC x 1/2" MPT	1	16	9.802-773.0	Nut, 1/4" ESNA, NC	3
5	9.802-051.0	Bulkhead, 1/2" PVC	1	17	9.802-802.0	Washer Flat, 1/4" ZC	3
6	9.802-132.0	Elbow, 3/4" JIC x 1/2", 90°	1	18	8.718-768.0	Screw 1/4" x 3/4" HH NC	3
7	8.928-239.0	BRACKET, FLOAT TANK SUPPORT	1	19	8.930-354.0	Plate, Adaptor Gas, Float Tank	1
8	9.802-775.0	NUT, 1/4" FLANGE, ZN	2				
9	9.802-146.0	Swivel, 1/2" MP x 3/4" GHF w/Strainer	1				
10	9.803-671.0	Stem, 5" Float	1				
11	9.802-512.0	Cable, TY, 48"	1				
12	9.802-150.0	Anchor, Connector, 1/2"	1				

HOSE, SPRAY GUN, & WAND EXPLODED VIEW

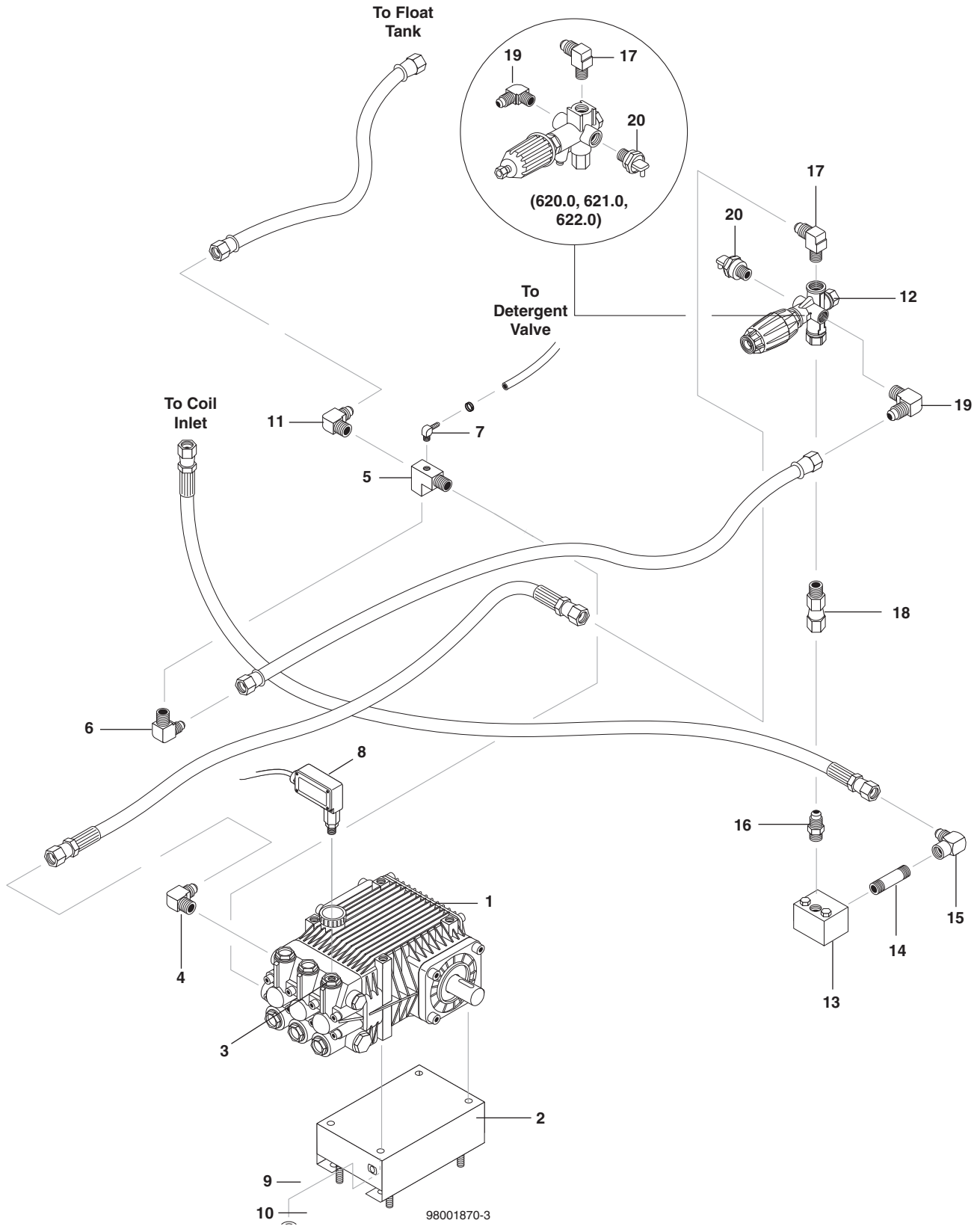


HOSE, SPRAY GUN, & WAND EXPLODED VIEW PARTS LIST

ITEM	PART NO.	DESCRIPTION	QTY
1	8.739-314.0	Hose, 3/8" x 50', 1 Wire, Tuff-Flex w/Coupler	1
2	9.802-229.0	Spray Gun, Shut-Off, AP 1000	1
3	9.803-805.0	Lance, Spray, Insulated, 35.5" SS	1
4	9.802-164.0	Coupler, 1/4" Female, Brass	1
	9.802-096.0	▲ O-Ring, Replacement Only	1
	9.804-043.0	▲ Seal, 1/4" Replacement Only	1

▲ Not Shown

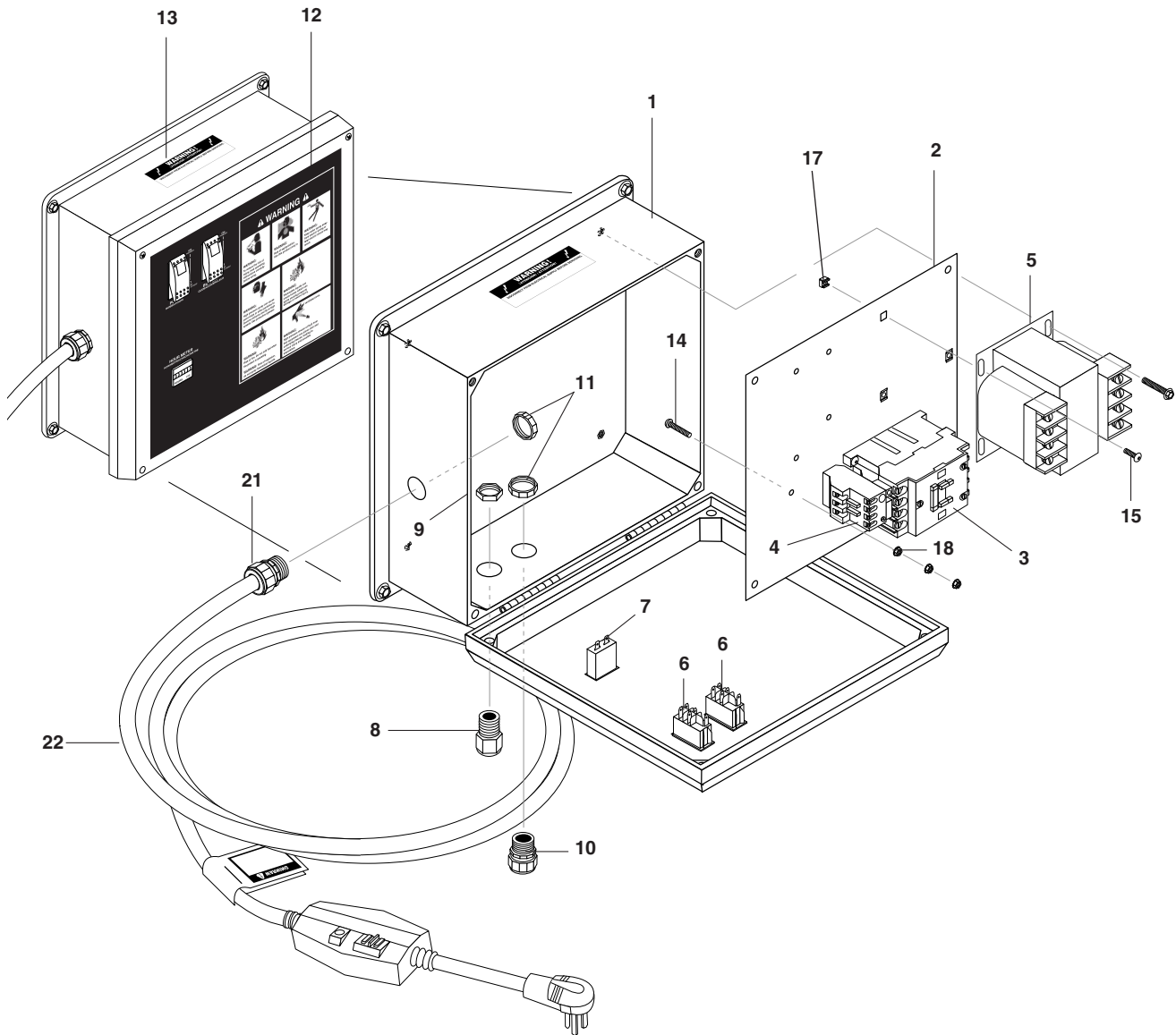
PUMP ASSEMBLY EXPLODED VIEW



PUMP ASSEMBLY EXPLODED VIEW PARTS LIST

ITEM	PART NO.	DESCRIPTION	QTY
1	9.803-413.0	Pump, Kärcher KT5030	1
2	9.803-013.0	Rail, Pump, Self Aligning	1
3	9.802-632.0	Cap, Valve w/1/4" Gauge Port	1
4	9.802-039.0	Elbow, 1/2" JIC x 3/8", 90°	1
5	9.802-123.0	Tee, 1/2" w/1/8" Hole, Street	1
6	9.802-131.0	Elbow, 1/2" JIC x 1/2", 90°	1
7	9.802-142.0	Hose Barb, 1/4" Barb x 1/8" MNPT, 90°	1
8	9.802-458.0	Switch, Pressure, N/O, 1/4" NPT SS	1
9	9.804-057.0	Lockwasher	4
10	9.804-058.0	Screw, Pump	4
11	9.802-132.0	Elbow, 3/4" JIC x 1/2" Male	1
12	8.750-299.0	Unloader, VRT 3, 8 GPM @ 4500 PSI	1
	9.804-046.0	Unloader, PA8GPM@4000 PSI, Pulsar w/Switch (Auto Start/Stop Option)	1
13	9.802-869.0	Block, Unloader, 1/2" x 1/2", Brass	1
14	9.802-013.0	Nipple, 1/2" x 2-1/2" Galvanized, Sch 80	1
15	9.802-043.0	Elbow, 1/2" FNPT x 1/2" MJIC	1
16	9.802-038.0	Nipple, 1/2" JIC x 1/2" Pipe	1
17	9.802-039.0	Elbow, 1/2" JIC x 3/8"	1
18	9.802-048.0	Swivel, 1/2" JIC x 3/8"	1
19	9.802-129.0	Elbow, 1/2" JIC x 3/8", 90°	1
20	9.802-181.0	Pump Protector, 3/8" PTP	1

CONTROL PANEL EXPLODED VIEW (1.575-620.0,-621.0)



CONTROL PANEL PARTS LIST (1.575-620.0,-621.0)

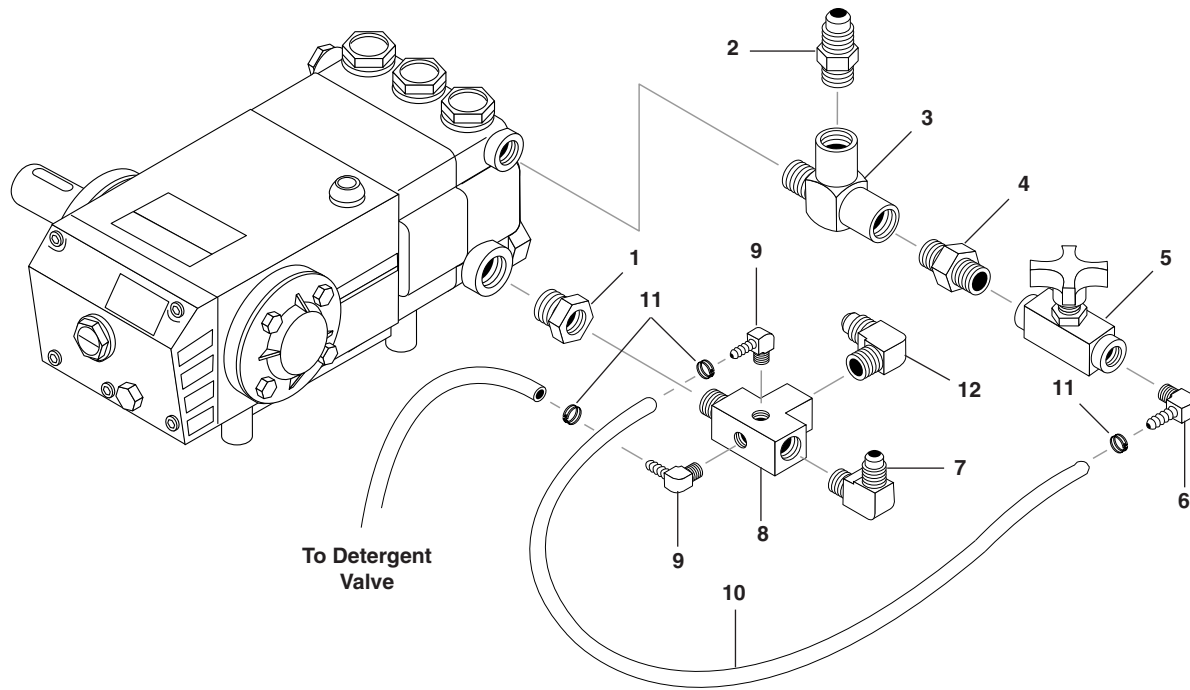
ITEM	PART NO.	DESCRIPTION	QTY
1	9.804-051.0	Box, 12" x 10" x 5-1/4"	1
2	9.804-055.0	Plate, Stand-off	1
3	8.724-281.0	Contactora (620.0)	1
	8.724-281.0	Contactora (621.0)	1
4	8.724-307.0	Overload (620.0)	1
	8.724-306.0	Overload (621.0)	1
5	9.802-551.0	Transformer, Micron 240/480V-120V, 50/60 HZ, .050KVA	1
6	9.802-451.0	Switch, Rocker, Carling w/Green Lens	2
7	9.802-283.0	Hour Meter	1
8	9.802-515.0	Strain Relief, Straight LQ Tite	1
9	9.802-524.0	Locknut, 1/2"	1
10	9.802-521.0	Strain Relief, 3/4" Galv. LQ Tite (620.0, 621.0)	1
11	9.802-526.0	Locknut, 3/4" (620.0)	1
		(621.0)	2
	9.803-280.0	Locknut, 1" Conduit	1
12	9.800-184.0	Label, Control Panel	1
13	9.800-016.0	Label, Disconnect Pwr Supply	1
14	9.802-762.0	Screw, 10-32" x 1-1/4" BSCS	1
15	9.802-759.0	Screw, 10-32" x 1/2" BHSCS	7
16	9.800-040.0	▲ Label, Ground	1
17	9.802-791.0	Nut, Cage, 10-32" x 16 Gauge	7
18	9.802-695.0	Nut, 10-32" KEPS	4
19	8.933-007.0	▲ Fuse, KTK-RI 600 V midget	2
20	9.802-463.0	▲ Fuse, Paper Buss, FNM- 1/2, 250V	1
21	9.802-521.0	Strain Relief (621.0)	1
	9.803.975.0	Strain Relief (620.0)	1
22	9.804-049.0	Cord, GFCI, 240V/1PH/50A (620.0)	1
	9.802-426.0	Cord, Service, SO 8/4 (621.0)	15 ft.

▲ Not Shown

CONTROL PANEL PARTS LIST (1.575-622.0)

ITEM	PART NO.	DESCRIPTION	QTY
1	9.804-051.0	Box, 12" x 10" x 5-1/4"	1
2	9.804-055.0	Plate, Stand-off	1
3	8.724-272.0	Contacto	1
4	8.724-304.0	Overload	1
5	9.802-550.0	Transformer, Micron 240/480V-120/240V, .500KVA	1
6	9.802-451.0	Switch, Rocker, Carling w/Green Lens	2
7	9.802-283.0	Hour Meter	1
8	9.802-515.0	Strain Relief, Straight LQ Tite	1
9	9.802-524.0	Locknut, 1/2"	1
10	9.802-518.0	Strain Relief Strt, LQ Tite	1
11	9.802-526.0	Locknut, 3/4"	2
	9.803-280.0	Locknut, 1" Conduit	1
12	9.800-184.0	Label, Control Panel	1
13	9.800-016.0	Label, Disconnect Power Supply	1
14	9.802-762.0	Screw, 10-32" x 1-1/4" BSCS	1
15	9.802-759.0	Screw, 10-32" x 1/2" BHSCS	10
16	9.800-040.0	Label, Ground	1
17	9.802-791.0	Nut, Cage, 10-32" x 16 Gauge	7
18	9.802-695.0	Nut, 10-32" KEPS	9
19	9.804-050.0	Fuse, 5 Amp, 600V	2
20	9.802-460.0	Fuse, Paper Buss, FNM-8, 250V	1
21	9.802-518.0	Strain Relief	1
22	9.802-429.0	Service, SEO 12/4	15 ft.
23	8.716-213.0	Block, Fuse, 1 Pole adder	1
24	8.718-980.0	Washer, 5/16"	4
25	9.802-457.0	Din Rail	3"
26	9.802-771.0	Screw 10/32" x 3/4" BHSCS	1

STEAM PUMP EXPLODED VIEW



STEAM PUMP EXPLODED VIEW PARTS LIST

ITEM	PART NO.	DESCRIPTION	QTY	ITEM	PART NO.	DESCRIPTION	QTY
1	9.802-136.0	Bushing, 3/4" x 1/2"	1	9	9.802-142.0	Hose Barb, 1/4" x 1/8" NPT, 90°	1
2	9.802-036.0	Nipple, 1/2" JIC x 3/8" MPT Steel	1	10	9.802-254.0	Hose, 1/4" Push-On	8"
3	9.802-033.0	Tee, 3/8" Street, Steel	1	11	6.390-126.0	Clamp, Hose, .46 -, .54	3
4	9.802-022.0	Nipple, 3/8" x 1/4", Hex, Steel	1	12	9.802-132.0	Elbow, 3/4" JIC x 1/2" Male	1
5	9.802-187.0	Valve, Flow Control w/Metering	1				
6	9.802-143.0	Hose Barb, 1/4" Barb x 1/4" Pipe, 90°	1				
7	9.802-131.0	Elbow, 1/2" JIC x 1/2" MPT	1				
8	9.803-050.0	Tee, 1/2" Street w/Two 1/8" MPT Holes	1				

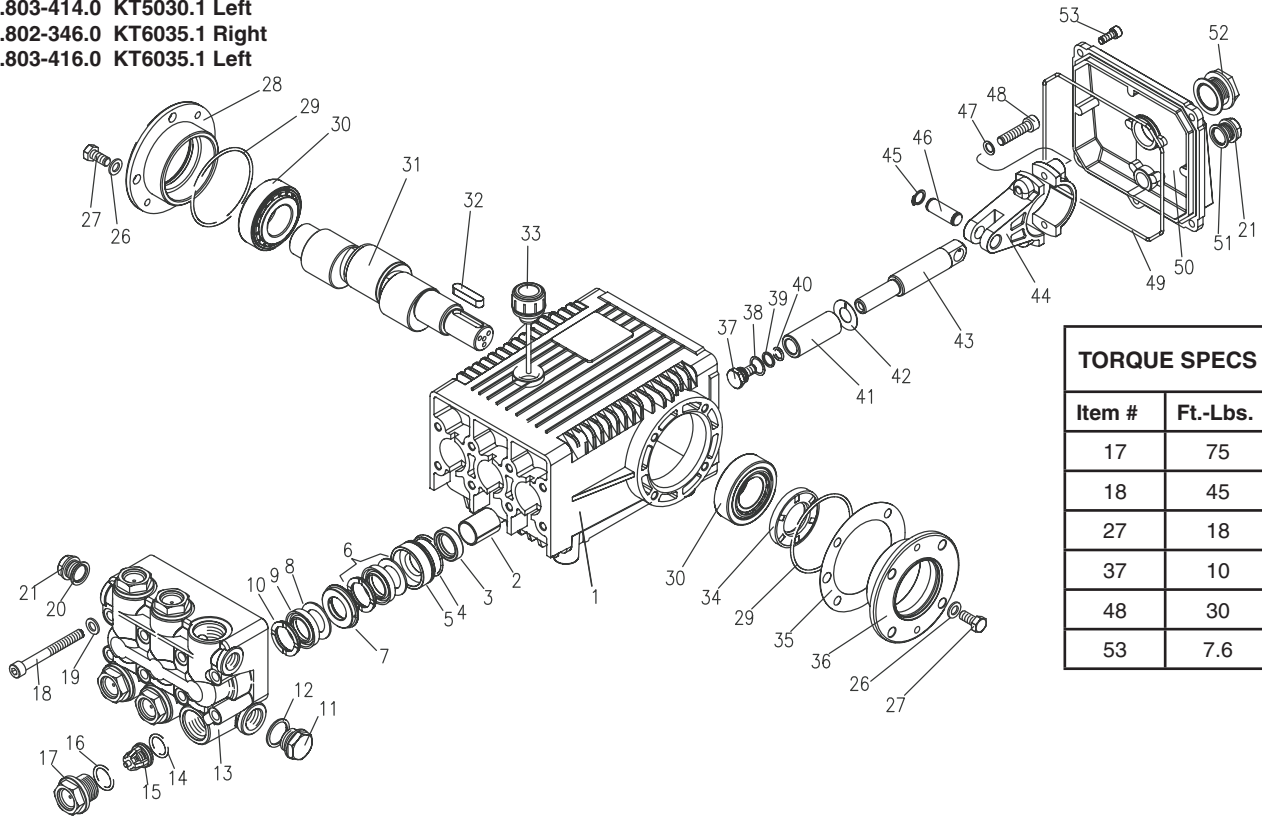
SPECIFICATIONS

BECKETT BURNER SPECIFICATIONS

Model No.	Burner Assy No.	Fuel Nozzle	Transformer	Burner Motor	Fuel/Pump Solenoid/Cord	Fuel Solenoid/Coil	Electrode
1.575-620.0	9.804-053.0	8.717-366.0	9.803-055.0	9.804-054.0	9.802-645.0	9.802-640.0	9.802-669.0
1.575-621.0	9.804-053.0	8.717-366.0	9.803-055.0	9.804-054.0	9.802-645.0	9.802-640.0	9.802-669.0
1.575-622.0	9.802-556.0	8.717-366.0	9.803-060.0	9.803-056.0	9.802-645.0	9.802-640.0	9.802-669.0

KT.1 SERIES PUMP EXPLODED VIEW

- 9.802-345.0 KT4035.1 Right
- 9.803-410.0 KT4035.1 Left
- 9.803-411.0 KT4040.1 Right
- 9.803-412.0 KT4040.1 Left
- 9.803-413.0 KT5030.1 Right
- 9.803-414.0 KT5030.1 Left
- 9.802-346.0 KT6035.1 Right
- 9.803-416.0 KT6035.1 Left



TORQUE SPECS	
Item #	Ft.-Lbs.
17	75
18	45
27	18
37	10
48	30
53	7.6

KT.1 SERIES PUMP EXPLODED VIEW & PARTS LIST

ITEM	PART NO.	DESCRIPTION	QTY	ITEM	PART NO.	DESCRIPTION	QTY
1	9.804-604.0	Crankcase	1	19	9.802-890.0	Washer	8
2	9.803-195.0	Plunger Guide	3	20	9.803-198.0	Copper Washer 3/8"	1
3*	See Kit	Plunger Oil Seal	3	21	9.802-925.0	Brass Plug 3/8"	1
4*	See Kit	O-Ring Ø1.78 x 31.47	3	26	9.802-884.0	Washer	8
5*	See Kit	Pressure Ring, Brass	3	27	9.802-944.0	Hexagonal Screw	8
6*	See Kit	"U" Seal Low Pressure	3	28	9.803-182.0	Closed Bearing Housing	1
7*	See Kit	Intermediate Ring, Brass	3	29	9.803-186.0	O-Ring Ø2.62 x 71.12	2
8*	See Kit	Support Ring, Teflon Bronze	3	30	9.803-160.0	Roller Bearing, Tapered	2
9*	See Kit	"U" Seal High Pressure	3	31	9.803-148.0	Crankshaft (GT4040.1, 5030.1, 6035.1)	1
10*	See Kit	Support Ring	3		9.803-149.0	Crankshaft (GT 4035.1)	1
11	9.802-926.0	Brass Plug, 1/2"	1	32	9.803-167.0	Crankshaft Key	1
12	9.803-199.0	Copper Washer 1/2"	1	33	9.802-923.0	Oil Dip Stick	1
13	9.802-933.0	Manifold Head	1	34	9.803-139.0	Crankshaft Seal	1
14*	See Kit	O-Ring Ø2.62 x 17.13	6	35	9.803-177.0	Shim	2
15*	See Kit	Valve Assembly	6	36	9.803-181.0	Bearing Housing	1
16	See Kit	O-Ring Ø2.62 x 20.29	6	37*	See Kit	Plunger Bolt	3
17	9.802-928.0	Valve Plug	6	38*	See Kit	Copper Spacer	3
18	9.802-943.0	Manifold Stud Bolt	8				

KT.1 SERIES PUMP EXPLODED VIEW & PARTS LIST

ITEM	PART NO.	DESCRIPTION	QTY
39*	See Kit	O-Ring Ø1.78 x10.82	3
40*	See Kit	Teflon Ring	3
41*	See Kit	Plunger	3
42*	See Kit	Copper Spacer	3
43	9.803-143.0	Plunger Rod	3
44	9.803-157.0	Connecting Rod	3
45	9.802-912.0	Snap Ring	6
46	9.802-915.0	Connecting Rod Pin	3
47	9.802-889.0	Spring Washer	6
48	9.802-937.0	Connecting Rod Screw	6
49	9.803-194.0	O-Ring Ø2.62 x 152.07	1
50	9.803-166.0	Crankcase Cover	1
51	9.803-197.0	Gasket, G3/8	1
52	9.803-202.0	Sight Glass G3/4	1
53	9.802-939.0	Cover Screw	5

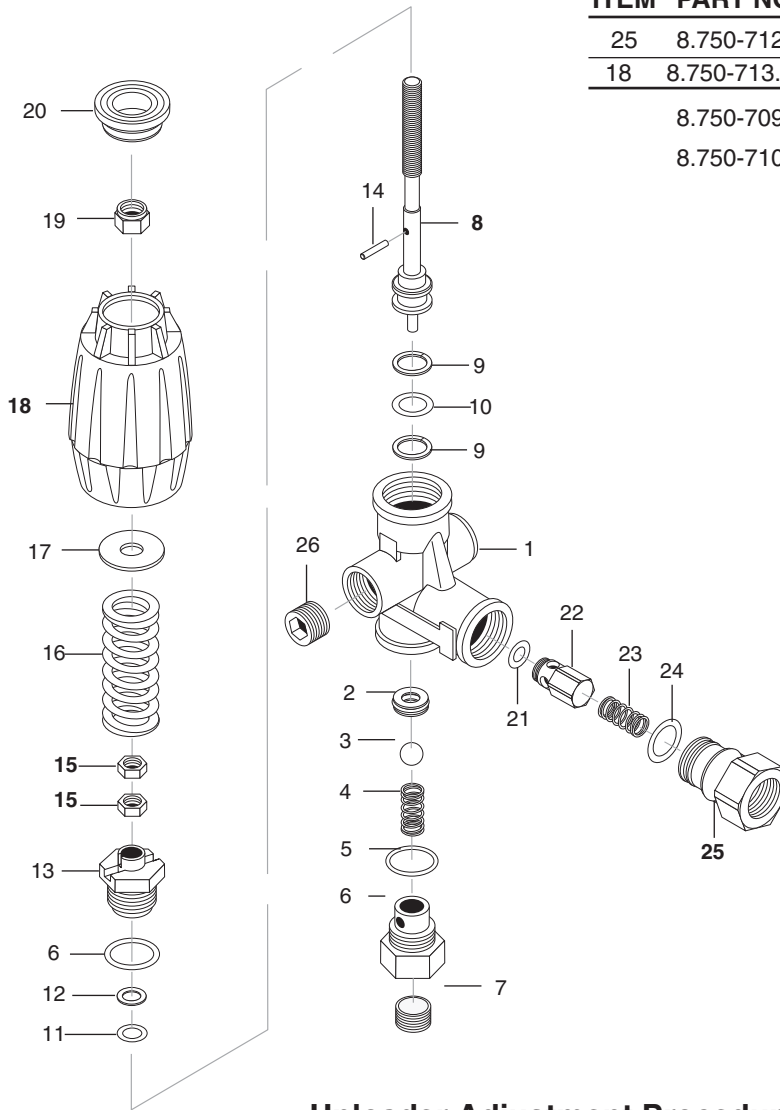
* Part available in kit (See below)

REPAIR KIT NUMBER	8.916-488.0	8.916-487.0	8.916-322.0	8.916-323.0	9.802-607.0	9.802-611.0	9.802-603.0	9.802-606.0
KIT DESCRIPTION	Plunger "U" Seal 20mm 4040.1 6035.1 4035.1	Plunger "U" Seal 22mm 5030.1	"U" Seal Packing Assy 20mm 4040.1 6035.1 4035.1	"U" Seal Packing Assy 22mm 5030.1	Plunger 20mm 4040.1 6035.1 4035.1	Plunger 22mm 5030.1	Complete Valve (all pumps)	Plunger Oil Seals (all pumps)
ITEM NO.S INCLUDED	4, 6, 8, 9, 10	4, 6, 8, 9, 10	4, 5, 6, 7, 8, 9, 10,	4, 5, 6, 7, 8, 9, 10,	37, 38, 39, 40, 41, 42	37, 38, 39, 40, 41, 42	14, 15, 16	3
NUMBER OF CYLINDERS KIT WILL SERVICE	3	3	1	1	1	1	6	3

VRT3 UNLOADER EXPLODED VIEW AND PARTS LIST

8.750-297.0, 8 GPM, 2320 PSI
 8.750-298.0, 8 GPM, 3630 PSI
 8.750-299.0, 8 GPM, 4500 PSI

ITEM	PART NO.	DESCRIPTION	QTY
25	8.750-712.0	Outlet Fitting	1
18	8.750-713.0	Knob, Unloader	1
	8.750-709.0	Repair Kit, VRT3, 2320/3630 PSI	
	8.750-710.0	Repair Kit, VRT3, 4500 PSI	
		(Kit Items: 1, 4, 8-12, 16, 21-22)	



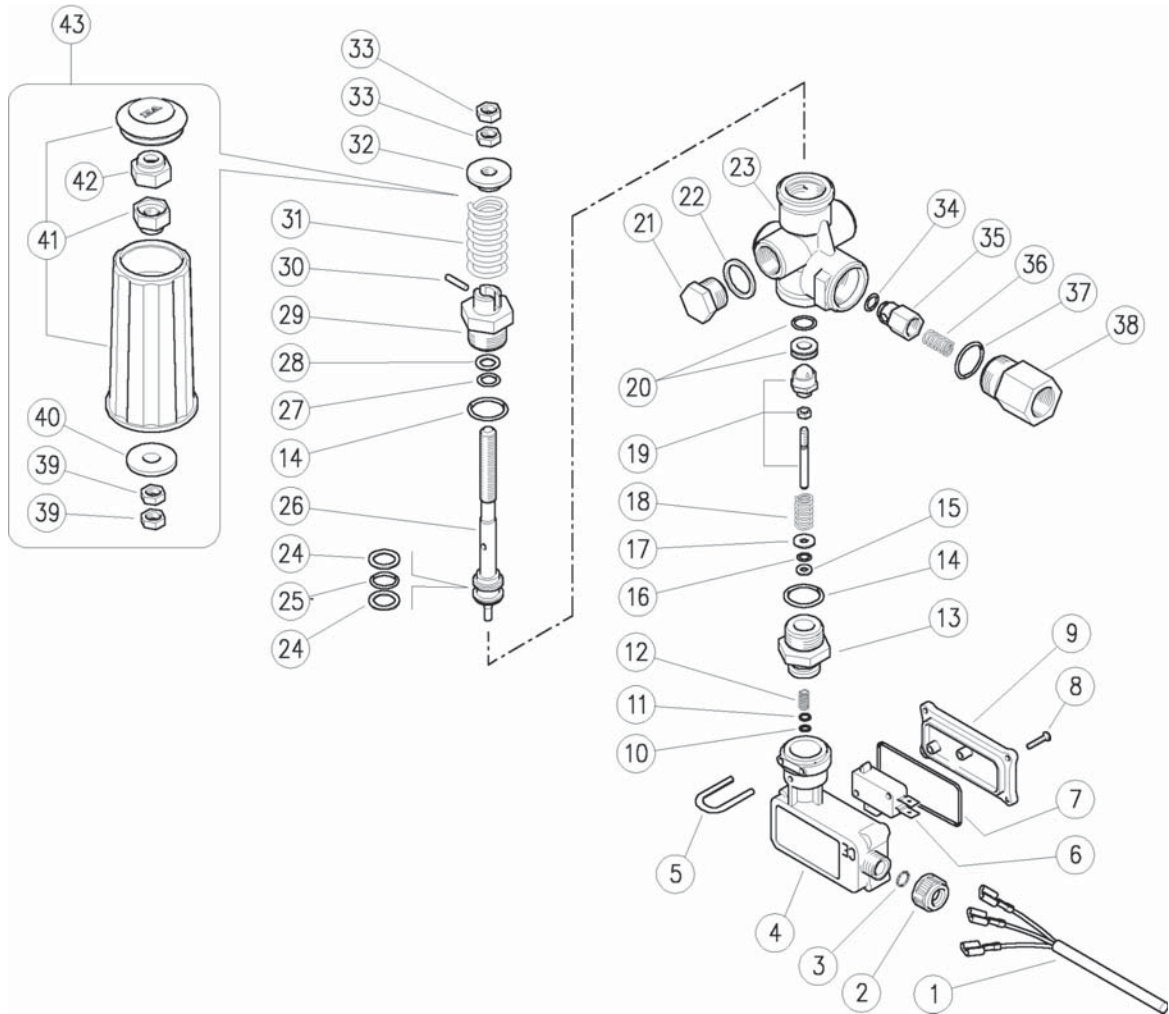
Unloader Adjustment Procedures

1. Remove lock nut (Item 19).
2. Remove adjustment knob (Item 18).
3. Loosen the two (2) nuts (Item 15), move them upward on stem (Item 8) until you see 4 or more threads below the nut.
4. Re-attach adjusting knob (Item 18).
5. Start machine. Open the trigger of the spray gun. Increase pressure by turning adjustment knob (Item 18) clockwise until pressure is at the desired operating pressure.
6. Remove the adjustment knob (Item 18), tighten the lower nut (Item 15) tightly against the upper nut (Item 15). Re-attach adjustment knob (Item 18) and screw down until contact is made with the nuts (Items 15). Screw down lock nut (Item 19) onto the stem (Item 8) until the threads cut into the nylon insert of the lock nut (Item 19).

*If adjustment knob (Item 18) **DOES NOT** make contact with upper nut (Items 15), remove adjusting knob (Item 18), re-adjust (raise) nuts (Items 15) on stem (Item 8) and re-attach adjustment knob (Item 18), then repeat step #6.

If adjustment knob (Item 18) **DOES make contact with upper nut; release the trigger of the spray gun and watch the pressure gauge for the pressure increase ("spike"). This "spike" **SHOULD NOT** exceed 500 psi above the operating pressure. If "spike" pressure exceeds the 500 psi limit, remove the adjusting knob (Item 18) and re-adjust (lower) the nuts (Items 15) on the stem (Item 8). Re-attach the adjusting knob (Item 18), then repeat step #6.

PA8 5-3026 UNLOADER EXPLODED VIEW



PA8 5-3026 UNLOADER EXPLODED VIEW & PARTS LIST

ITEM	PART NO.	DESCRIPTION	QTY	ITEM	PART NO.	DESCRIPTION	QTY
1	12.5000.00	3 x 1 El. Cable L. 1200 mm	1	17	60.0164.33	Washer	1
2	29.0082.84	Black Nut-40 bar	1	18	60.0015.51	Sst Spring	1
3*	10.3109.92	O-Ring 2.4 x 7.3 mm	1	19*	60.0134.21	Puls. 280 Piston+ Shutter	1
4	29.0041.84	Plast. Box	1	20*	60.0259.20	8.5 mm seat+O-Ring	1
5	29.0087.51	Sst Clip	1	21	60.0028.31	3/8 Bsp Plug (60.0010.70)	1
6	12.5001.00	16A -250V- Micro Switch	1	21	60.0025.31	3/8 Npt Plug (60.0010.80)	1
7*	10.3210.42	O-Ring 2.62 x 42.52 mm	1	22	14.4042.00	Washer 16 x 22 mm (60.0010.70)	1
8	16.3020.00	2.5 x 12 mm Screw	4	23	60.0075.35	Pulsar 280 Npt Body (60.0010.80)	1
9	29.0042.84	Cover	1	24*	10.4021.00	Back Ring 11.4 x 15.9 mm	2
10*	10.3038.00	O ring 1.78 x 3,68 mm	1	25*	10.3175.08	O ring 2.62 x 10,77 mm	1
11	14.3519.53	Sst Washer 4 x 8 mm	1	26	60.0061.23	Sst Piston	1
12	60.2303.51	Spring	1	27*	10.3170.08	O Ring 2.62 x 7.6 mm	1
13	60.0132.31	Pul. 280 Switch Nipple	1	28*	10.4020.00	Back Ring 8 x 12.6 mm	1
14*	10.3068.01	O-Ring 1,78 x 17.17 mm	2				
15*	10.4004.00	Back Ring 4.2 x 7,9 mm	1				
16*	10.3109.90	O Ring 2,4 x 3.66 mm	1				

PA8 5-3026 UNLOADER EXPLODED VIEW & PARTS LIST

ITEM	PART NO.	DESCRIPTION	QTY
29	60.0064.31	Piston Housing	1
30	15.1021.00	Pin 3 x 14 mm	1
31	60.0033.61	Blue Spring	1
32	60.0011.31	Spring Guide (sz.cappucc)	1
33	11.4574.00	M 8 Nut (sz.cappucc)	2
34*	10.3213.08	O Ring 3 x 6 mm	1
35	60.0052.31	Check Valve	1
36	60.0053.51	Spring	1
37*	10.3070.02	O ring 1.78 x 18.77 mm	1
38	60.0058.31	3/8 Bsp F Outlet Fitting (60.0010.70)	1
38	60.0059.31	3/8 Npt F Outlet Fitting (60.0010.80)	1
39	11.4573.31	M 8 Brass Nut	2
40	14.3720.40	Washer 8 x 24 mm	1
41	60.0004.24	Puls. 3 Valve, Knob Assy	1
42	11.4589.10	M 8 Nut	1
43	60.0014.24	Puls.3 Complete Knob **	1

** On request

KIT P/N DESCRIPTION

K1	60.0072.24	Puls.280+PR16 spare parts kit	1
----	------------	-------------------------------	---