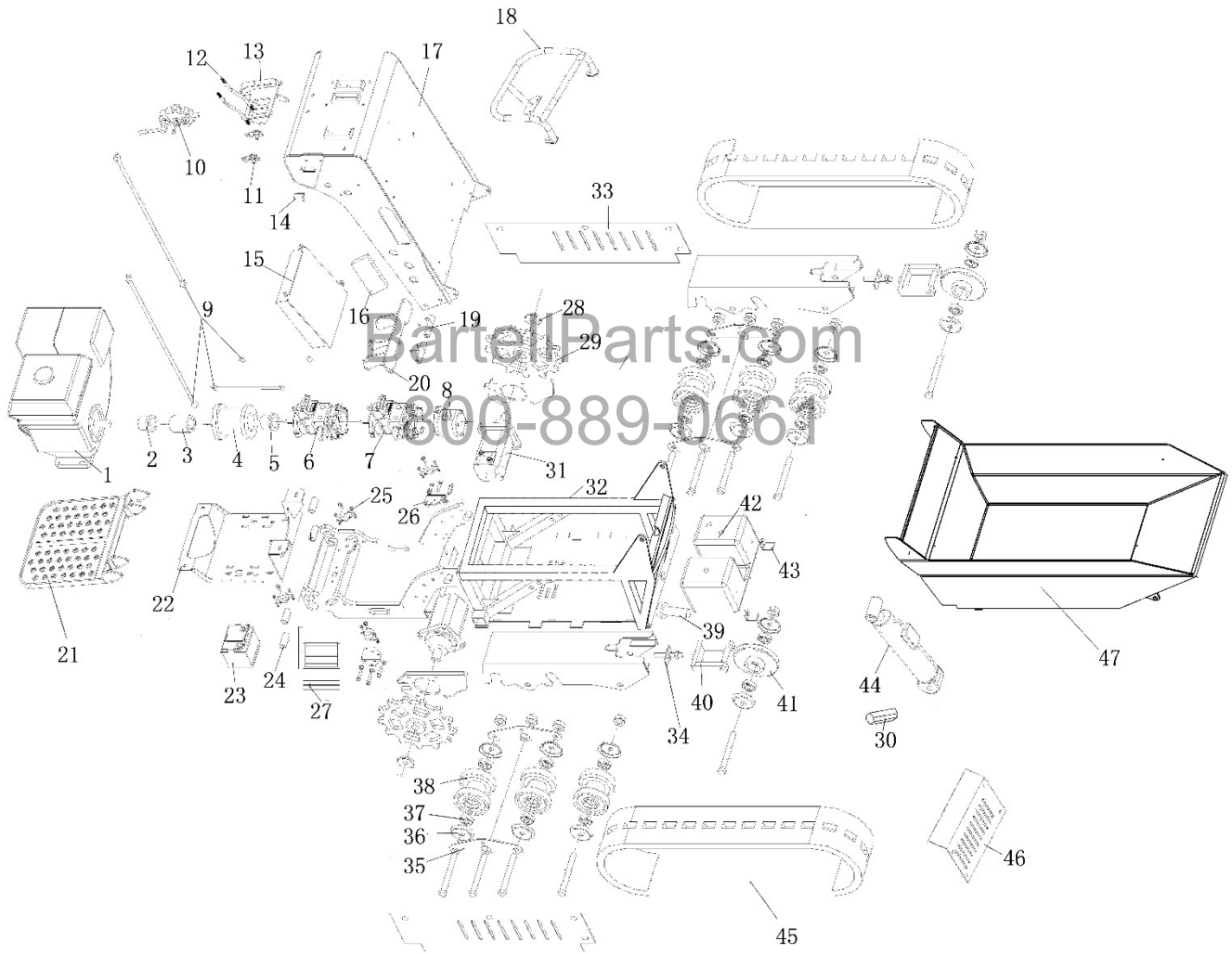


PARTS LIST 1



BartellParts.com
800-889-0661

PARTS LIST 1 – Main Assembly

Item #	Part #	Description	QTY	Remarks
1	95DT0001	Engine	1	
2	95DT0002	Spline Coupling (Engine Side)	1	
3	95DT0003	Spline Coupling (Joint)	1	
4	95DT0004	Bell Housing	1	
5	95DT0005	Spline Coupling (Pump Side)	1	
6	95DT0006	Hydrostatic Pump 1*	1	
7	95DT0007	Hydrostatic Pump 2*	1	
8	95DT0008	Gear Pump*	1	
9	95DT0009	Connecting Rods	4	
10	95DT0010	Dump Valve*	1	
11	95DT0011	Movement Handle Mount	2	
12	95DT0012	Movement Handle	2	
13	95DT0013	Movement Control Mounting Plate	1	
14	95DT0014	Hour Meter (if installed)	1	
15	95DT0015	Upper Oil Tank	1	
16	95DT0016	Oil Level Indicator	1	
17	95DT0017	Control Tower	1	
18	95DT0018	Handrail	1	
19	95DT0019	Pivot for Connecting Rods	2	
20	95DT0020	Connecting Rod Pivot Mount	1	
21	95DT0021	Operator Platform	1	
22	95DT0022	Engine Mounting Plate	1	
23	95DT0023	Battery	1	
24	95DT0024	Vibration Mount for Operator Platform	4	
25	95DT0025	Engine Vibration Mount	4	
26	95DT0026	Vibration Mount Mounting Bracket	2	
27	N/A			
28	95DT0028	Holding Washer	2	
29	95DT0029	Track Sprocket	2	
30	95DT0030	Pressure Relief Valve*	1	
31	95DT0031	Hydraulic Motor	2	
32	95DT0032	Main Frame	1	
33	95DT0033	Side Panel	2	
34	95DT0034	Track Tensioning Screw	2	
35	95DT0035	Track Wheel Mounting Plate	4	
36	95DT0036	Bowl-Shaped Gasket	16	
37	95DT0037	Bearing	16	

38	95DT0038	Track Wheel	6	
39	95DT0039	Suction Strainer	1	
40	95DT0040	Front Track Wheel Mount	2	
41	95DT0041	Front Track Wheel	2	
42	95DT0042	Lower Oil Tank	1	
43	95DT0043	Oil Tank Mounting Bracket	2	
44	95DT0044	Dump Cylinder	1	
45	95DT0045	Track	2	
46	95DT0046	Front Panel	1	
47	95DT0047	Bucket	1	

*Also on the Hydraulic Parts List

BartellParts.com
800-889-0661

BartellParts.com
800-889-0661