

ELECTRIC POWER TROWEL

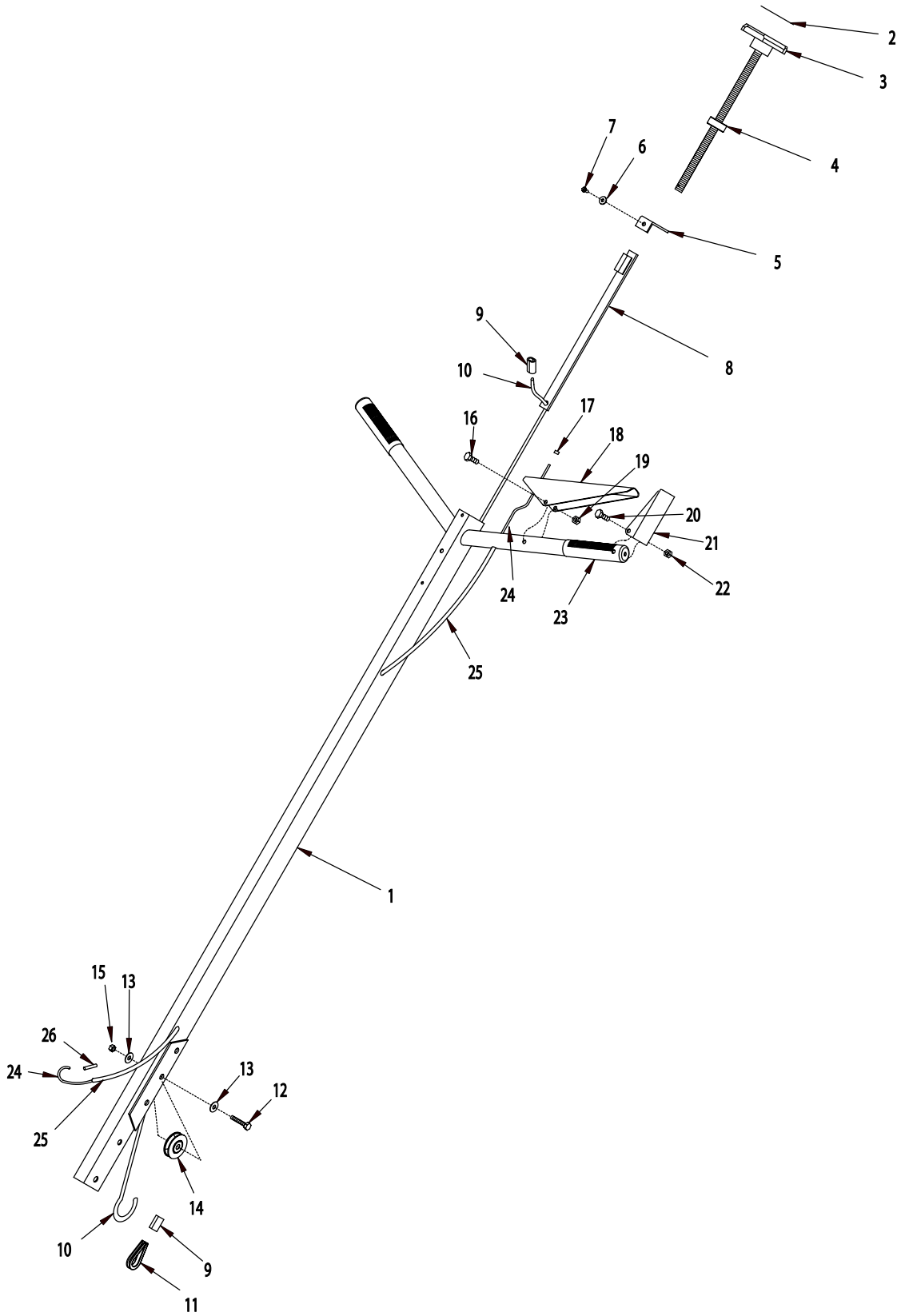
PARTS LIST MANUAL



24", 30", 36", and 46" Models

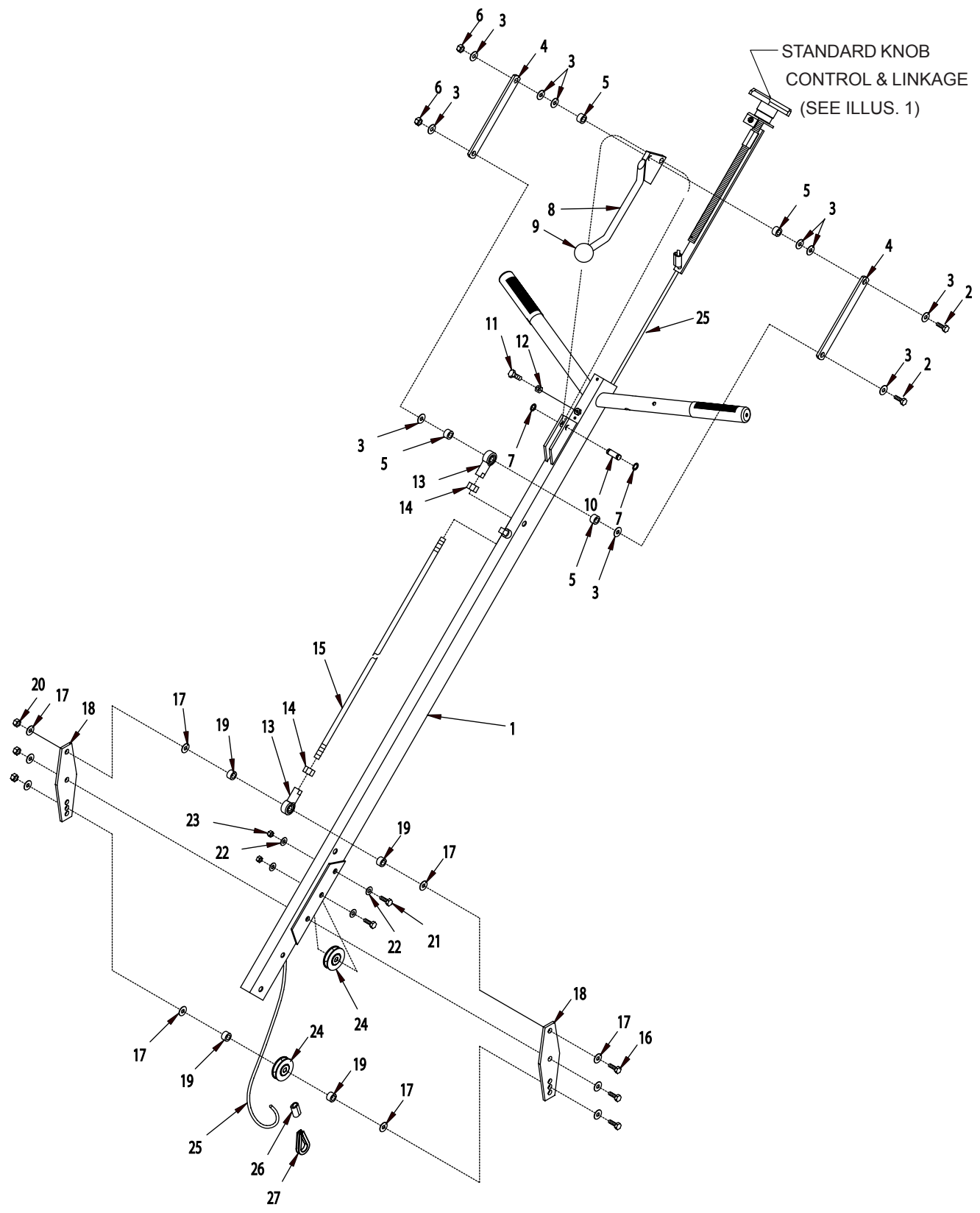
ILLUSTRATION 1 : HANDLE BAR ASSEMBLY (STANDARD)

PART # 3668E



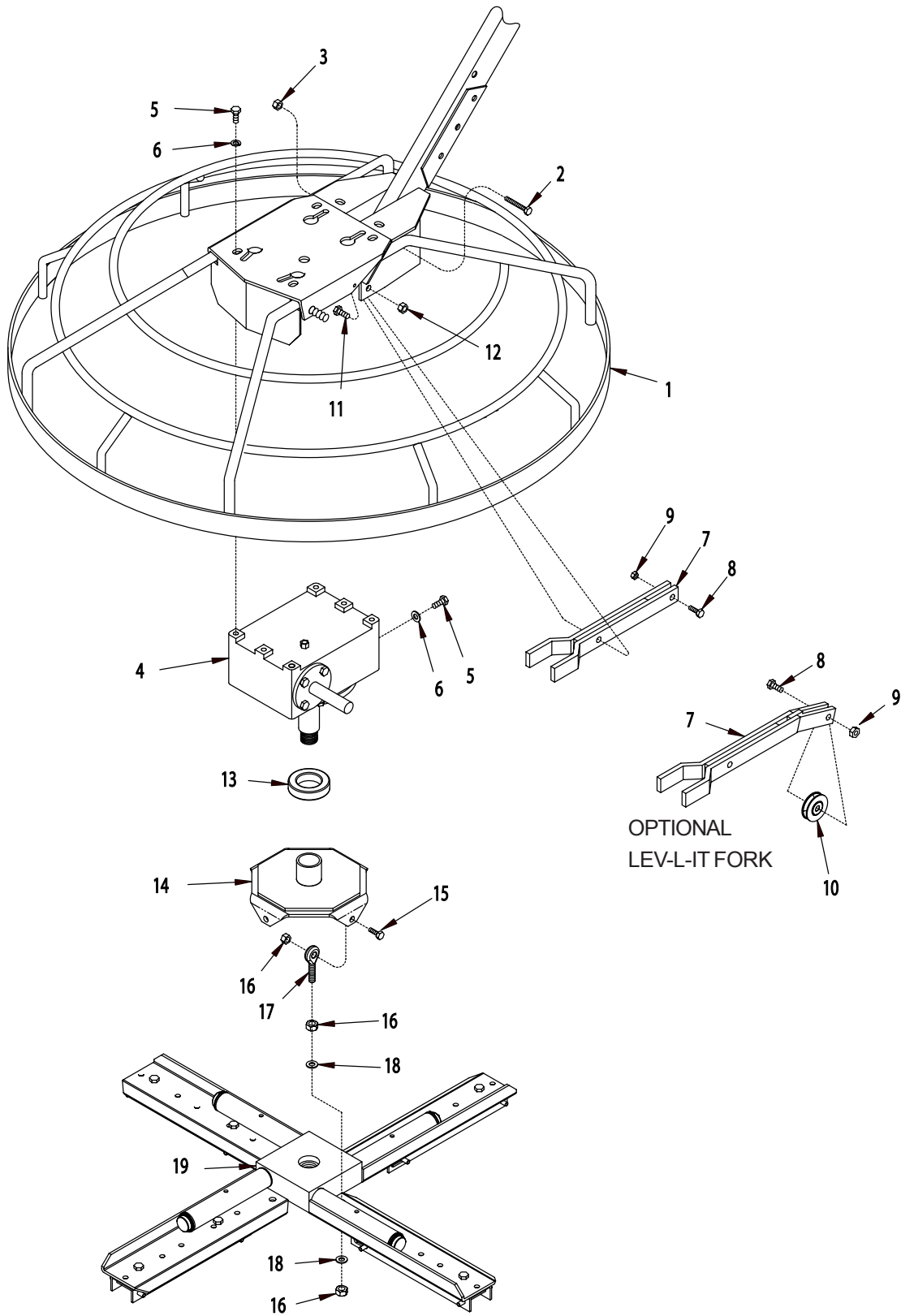
PARTS LISTING - ILLUSTRATION 1 : HANDLE BAR ASSEMBLY (STANDARD)			
ITEM#	PART#	DESCRIPTION	QTY.
1	3628	HANDLE BAR	1
2	3661	DECAL, BLADE ANGLE-FLAT/TILT	1
3	3614	KNOB CONTROL w/ 1/2-13x12" ROD	1
4	3642	BEARING, THRUST BALL 1/2"ID x 1"OD x 3/8"THK	1
5	3616	HANDLE CAP	1
6	10831	WASHER, LOCK, INT. TOOTH #10	1
7	10877	SCREW, CAP STSHW 10-24x1/2	1
8	3617	LINKAGE, ADJUSTING	1
9	3618	SLEEVE, NICROPRESS DOUBLE 3/16"	2
10	3619	CABLE, CONTROL 3/16x40-1/2"	1
11	4610	CABLE, THIMBLE 3/16"	1
12	10029	SCREW, CAP 3/8-24x1-3/4	1
13	10025	WASHER, FLAT 3/8	2
14	3621	PULLEY BEARING 1-3/4" DIA.x3/8" BORE	1
15	10004	NUT, LOCK 3/8-24	1
16	10315	SCREW, CAP 1/4-20 x1-1/2	1
17	4611	SLEEVE, NICROPRESS SINGLE 3/32"	1
18	3647	LEVER, CLUTCH, TROWEL	1
19	10015	NUT, LOCK 1/4-20	1
20	10314	SCREW, CAP 1/4-20x1-3/4	1
21	3699	LEVER LOCK, CLUTCH	1
22	10015	NUT, LOCK 1/4-20	1
23	79022	GRIP, HAND 1" MODEL RG	2
24	3648	CABLE, CLUTCH 3/32x70"L	1
25	3649	CABLE HOUSING, CLUTCH 57"POLY	1
26	4612	CABLE RETAINER TUBE, CLUTCH	1

ILLUSTRATION 2 : OPTIONAL LEV-L-IT SYSTEM GROUPING



PARTS LISTING - ILLUSTRATION 2 : OPTIONAL LEVEL-L-IT SYSTEM GROUPING			
ITEM#	PART#	DESCRIPTION	QTY.
1	C84010	HANDLE FOR LEV-L-IT SYSTEM	1
2	10336	SCREW, CAP 3/8-24 x 2-1/4	2
3	10025	WASHER, FLAT 3/8	10
4	C84014	LINKAGE, CONNECTING	2
5	10011	SPACER, STEEL 5/8"OD x 3/8"ID x 3/8"THK	4
6	10004	NUT, LOCK 3/8-24	2
7	C10618	RETAINING RING, E-CLIP 3/8"	2
8	C84012	LEVER, "LEV-L-IT" CONTROL	1
9	14023	KNOB, BALL 1-3/8 W/ 1/2-13THD, BLK.	1
10	C84013	PIN, PIVOT 3/8 x 1-1/8	1
11	10834	SCREW, CAP 1/4-20 x 1/2	1
12	10013	NUT 1/4-20	1
13	10919	ROD END, FEMALE 3/8-24 R.H. THREAD	2
14	10014	NUT 3/8-24	2
15	C84015	LINKAGE, ROD 3/8 x 32"L	1
16	10336	SCREW, CAP 3/8-24 x 2-1/4	3
17	10025	WASHER, FLAT 3/8	10
18	C84016	BRACKET, PITCH	2
19	10011	SPACER, STEEL 5/8"OD x 3/8"ID x 3/8"THK	4
20	10004	NUT, LOCK 3/8-24	3
21	10029	SCREW, CAP 3/8-24 x 1-3/4	2
22	10025	WASHER, FLAT 3/8	4
23	10004	NUT, LOCK 3/8-24	2
24	3621	PULLEY BEARING 1-3/4DIA. x 3/8BORE	2
25	C84011	CABLE, CONTROL 3/16 x 51"	1
26	3618	SLEEVE, NICROPRESS DOUBLE 3/16"	1
27	4610	CABLE, THIMBLE 3/16"	1

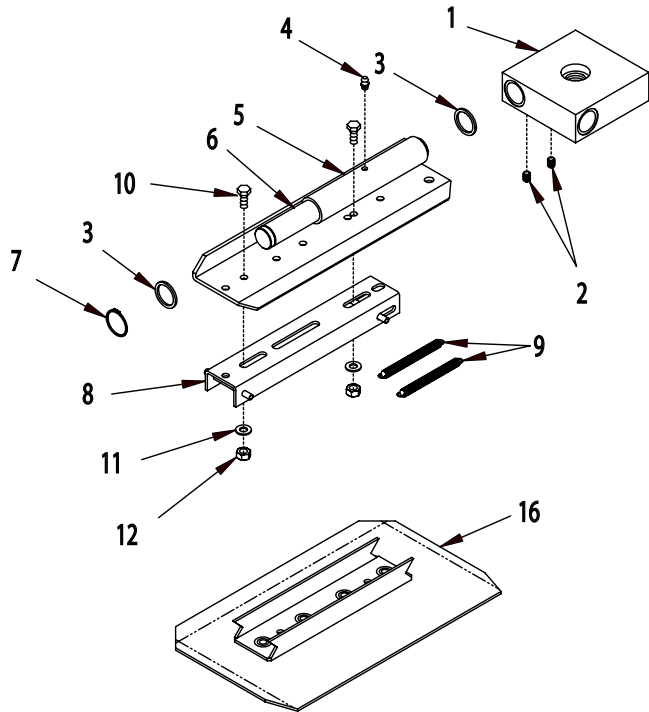
**ILLUSTRATION 3 : FRAME DECK w/ GUARD RING
& SPIDER SUBASSEMBLY GROUPING**



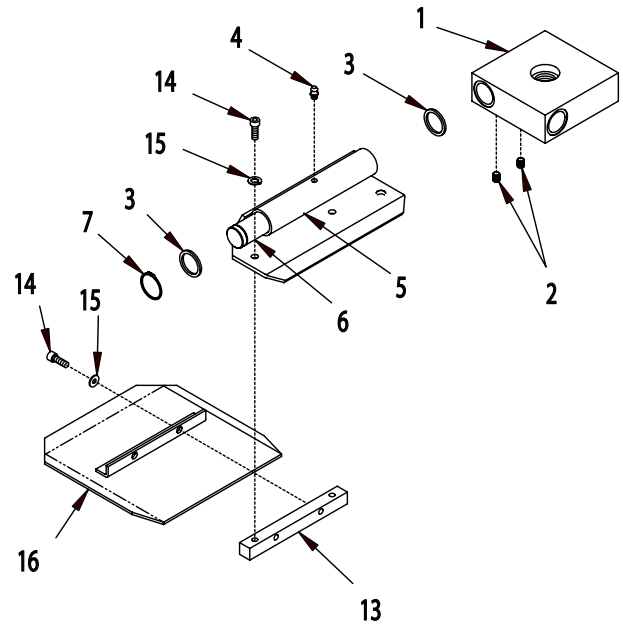
PARTS LISTING - ILLUSTRATION 3 : FRAME DECK w/ GUARD RING & SPIDER SUBASSEMBLY GROUPING			
ITEM#	PART#	DESCRIPTION	QTY.
1		FRAME & GUARD RING	1
	2401	24" TROWEL	
	3662	30" TROWEL	
	3644	36" TROWEL	
	4601	46" TROWEL	
2	10029	SCREW, CAP 3/8-24x1-3/4	2
3	10004	NUT, LOCK 3/8-24	2
4		TRANSMISSION, TROWEL	1
	3664	20:1 RATIO, STD. SPEED (SEE ILLUS. 8 FOR BREAKDOWN)	
	3664-RS	40:1 RATIO, REDUCED SPEED (SEE ILLUS. 9 FOR BREAKDOWN)	
5	10907	SCREW, CAP 3/8-16x3/4	6
6	10811	WASHER, LOCK 3/8	6
7		FORK, ADJUSTING	1
	3625	STANDARD	
	C84017	OPTIONAL FOR LEV-L-IT SYSTEM ONLY	
8	10816	SCREW, CAP 3/8-24x1-1/2	1
9	10004	NUT, LOCK 3/8-24	1
10	3621	PULLEY BEARING 1-3/4DIA.x3/8BORE	1
11	10029	SCREW, CAP 3/8-24x1-3/4	1
12	10004	NUT, LOCK 3/8-24	1
13	3609	BEARING, THRUST BALL 1-1/2"ID x 2-9/16"OD x 5/8"THK	1
14		PLATE, PITCHADJUSTMENT	1
	3626	24, 30, & 36" TROWELS	
	4603	46" TROWELS	
15		SCREW, CAP	4
	10021	3/8-24x1	
	10322	1/2-20x2 (46" TROWELS ONLY)	
16		NUT, LOCK	12
	10004	3/8-24	
	10205	1/2-20 (46" TROWELS ONLY)	
17		ROD END, MALE	4
	3605	3/8-24	
	4805	1/2-20 (46" TROWELS ONLY)	
18		WASHER, FLAT	8
	10025	3/8	
	10312	1/2 (46" TROWELS ONLY)	
19		SPIDER SUBASSEMBLY (SEE ILLUS. 4 FOR BREAKDOWN)	1
	2410	24" TROWEL	
	3620	30" TROWEL	
	36006	36" TROWEL	
	3680	46" TROWEL	

ILLUSTRATION 4 : SPIDER SUBASSEMBLY & BLADE GROUPING

30"- 46" POWER TROWELS



24" POWER TROWEL

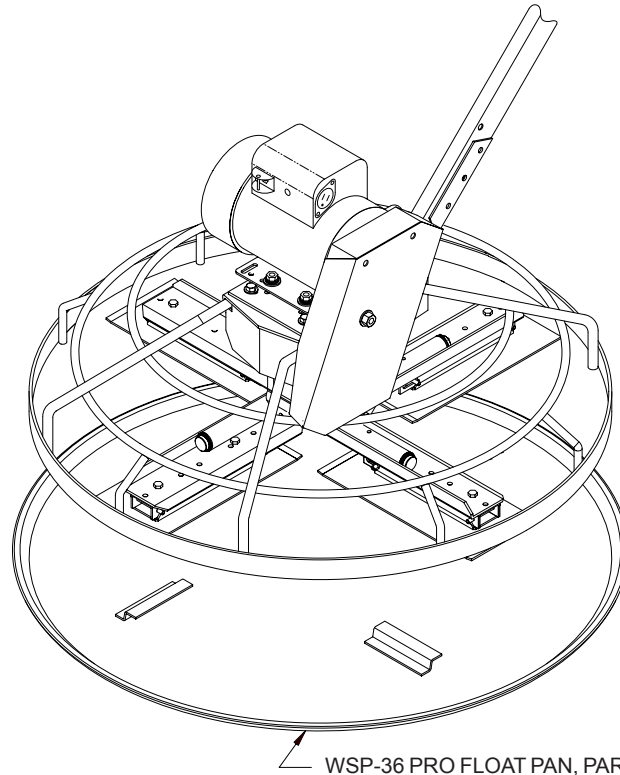


SELECT HERE FOR PARTS BREAKDOWN FOR BOLT-ON STYLE TROWEL BLADES & ADAPTERS

ITEM#	PART#	DESCRIPTION	QTY.	ITEM#	PART#	DESCRIPTION	QTY.
1	3637	HUB, 4-BLADE	1	9		SPRING, EXT. (REPLACEMENT ONLY) 2 PER ADAPTER	
2	10052	SCREW, SET 5/16-18x3/8	8	3636		6"L ("A" ADAPTER)	
3	3629	SPACER, COPPER THRUST 1-1/4"ODx1-1/64"IDx3/32"THK.	8	4605		11-1/2"L ("B" ADAPTER)	
4	10808	FITTING, GREASE 1/4-28 STRAIGHT	4	10	10053	SCREW, CAP 5/16-18x3/4	8
5		ARM, BLADE	4	11	10213	WASHER, FLAT 5/16	8
	2402	24" TROWEL		12	10807	NUT, LOCK 5/16-18	8
	3666	30" TROWEL		13	2406	BAR, BLADE MOUNTING	4
	36007	36" TROWEL		14	11639	SCREW, SKT. HD. CAP 5/16-18x5/8	16
	4606	46" TROWEL		15	10801	WASHER, LOCK 5/16	16
6		SHAFT, BLADE ARM	4	*16		COMBINATION TROWEL BLADE (SET OF 4)	1
	3635	24, 30, 36" TROWEL (9-11/16"L)			40470	C-4, 24" TROWEL	SET
	4604	46" TROWEL (13-15/16"L)			40270	C-2, 30" TROWEL	
7	10906	RETAINING RING, EXT. 1"	4		40040	C-1, 36" TROWEL	
8		ADAPTER	4		40070	C-3, 46" TROWEL	
	40197	"A", 30 & 36" TROWEL		*NOTE: COMBINATION BLADES ARE NOT INCLUDED WITH A NEW TROWEL. SEE BLADE CHART FOR A LIST OF ALL BLADES			
	40237	"B", 46" TROWEL					

POWER TROWEL BLADE CHART				
ITEM	PART#	DESCRIPTION	SIZE	TYPE
COMBINATION BLADE				
C-4	40470	24" TROWEL	8"x8"	BOLT-ON
C-2	40270	30" TROWEL	8"x11"	QUICK CHANGE
C-1	40040	36" TROWEL	8"x14"	QUICK CHANGE
C-3	40070	46" TROWEL	8"x18"	QUICK CHANGE
FLOAT BLADE				
M-4	40490	24" TROWEL	9"x8"	BOLT-ON
M-2	40290	30" TROWEL	9"x11"	QUICK CHANGE
M-1	40060	36" TROWEL	9"x14"	QUICK CHANGE
M-3	40090	46" TROWEL	9"x18"	QUICK CHANGE
FINISH BLADE				
-----		N/A FOR 24" TROWEL		
F-2	40280	30" TROWEL	6"x11"	QUICK CHANGE
F-1	40050	36" TROWEL	6"x14"	QUICK CHANGE
F-3	40080	46" TROWEL	6"x18"	QUICK CHANGE

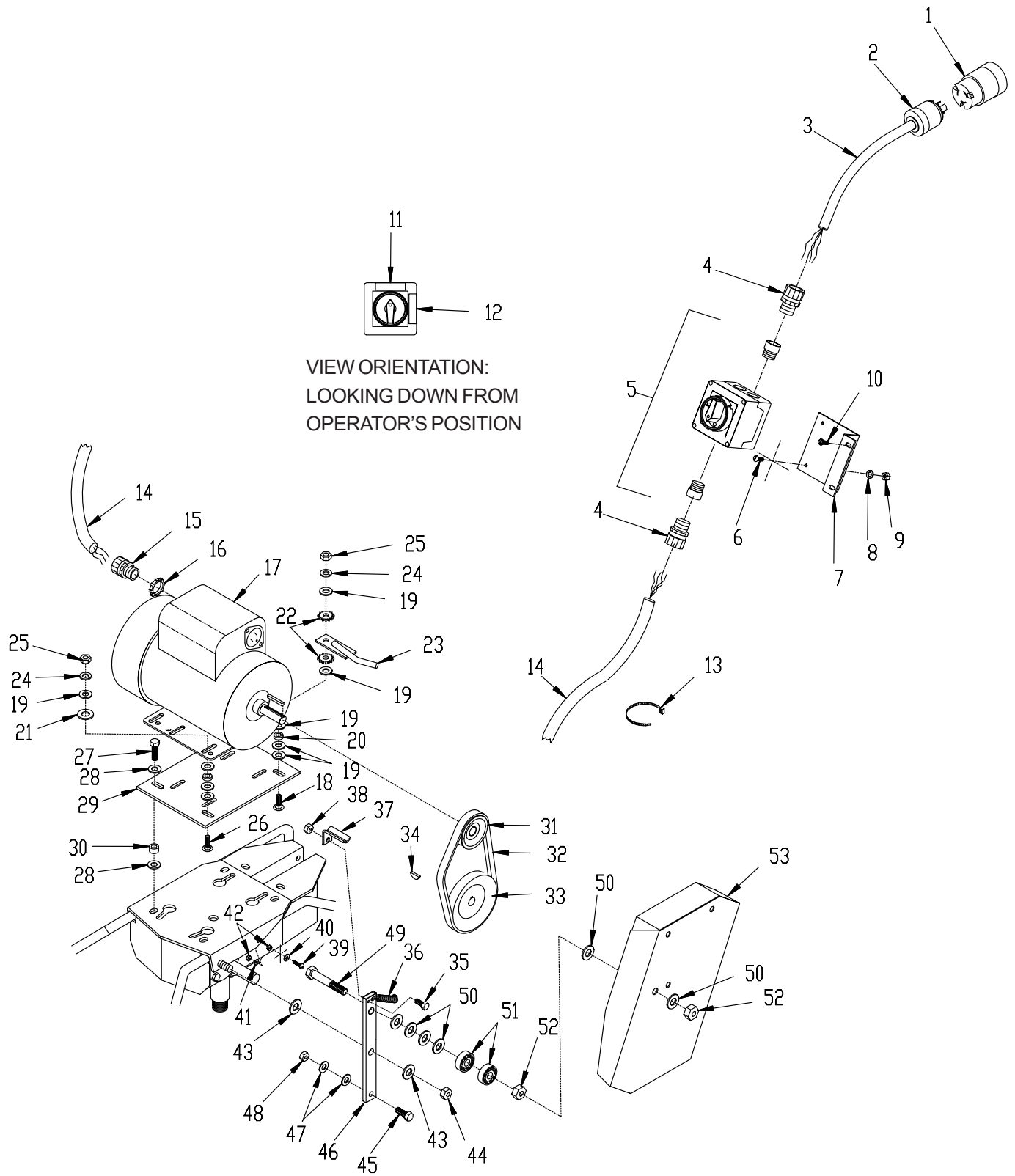
ILLUSTRATION 5 : OPTIONAL 36" FLOAT PAN



NOTE:
 FLOAT PAN MUST BE
 USED WITH F-1 FINISH
 BLADES, PART NO. 40050

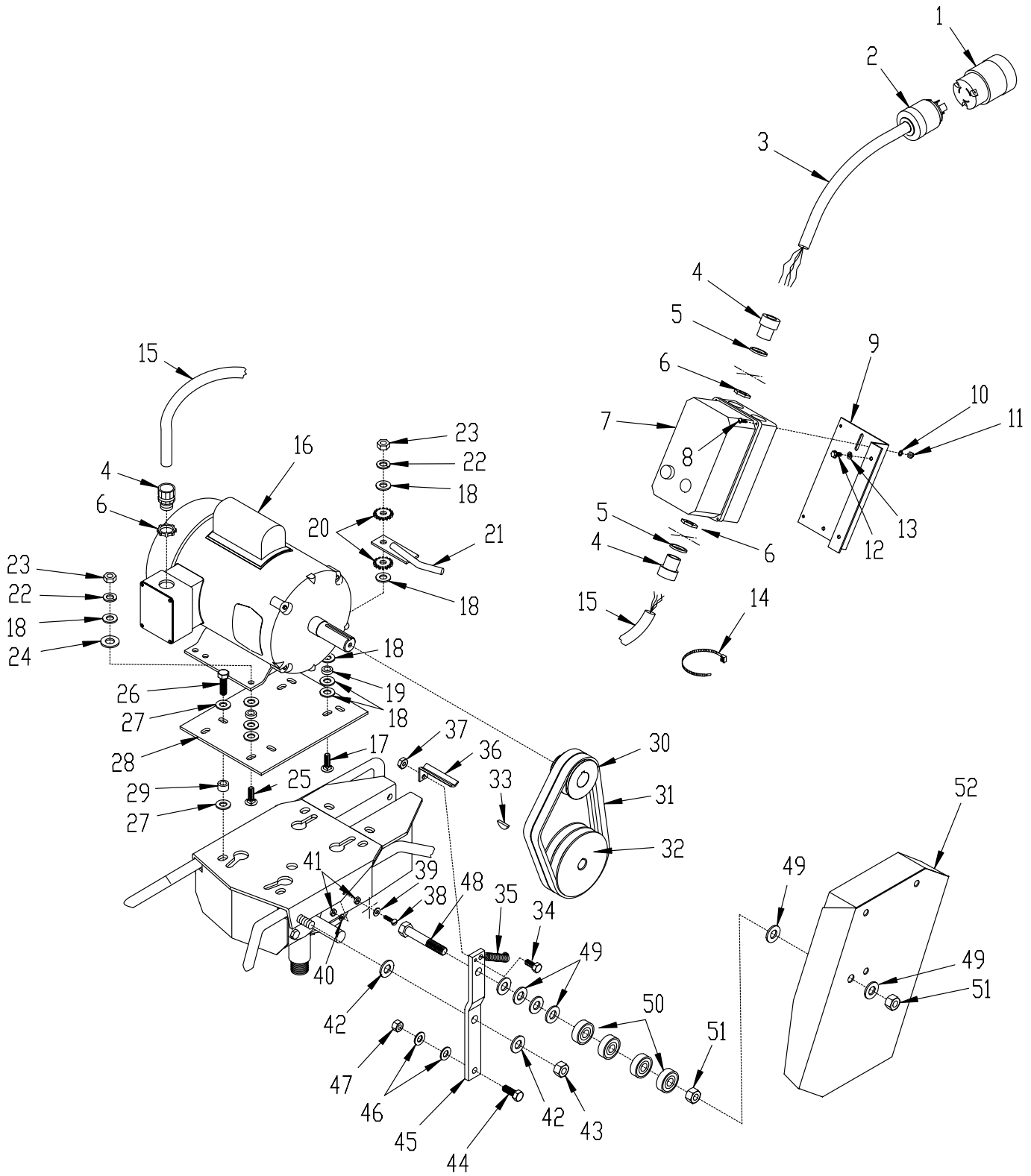
WSP-36 PRO FLOAT PAN, PART NO. 40710

ILLUSTRATION 6 : 1.5&2 HP ELECTRIC MOTOR GROUPING



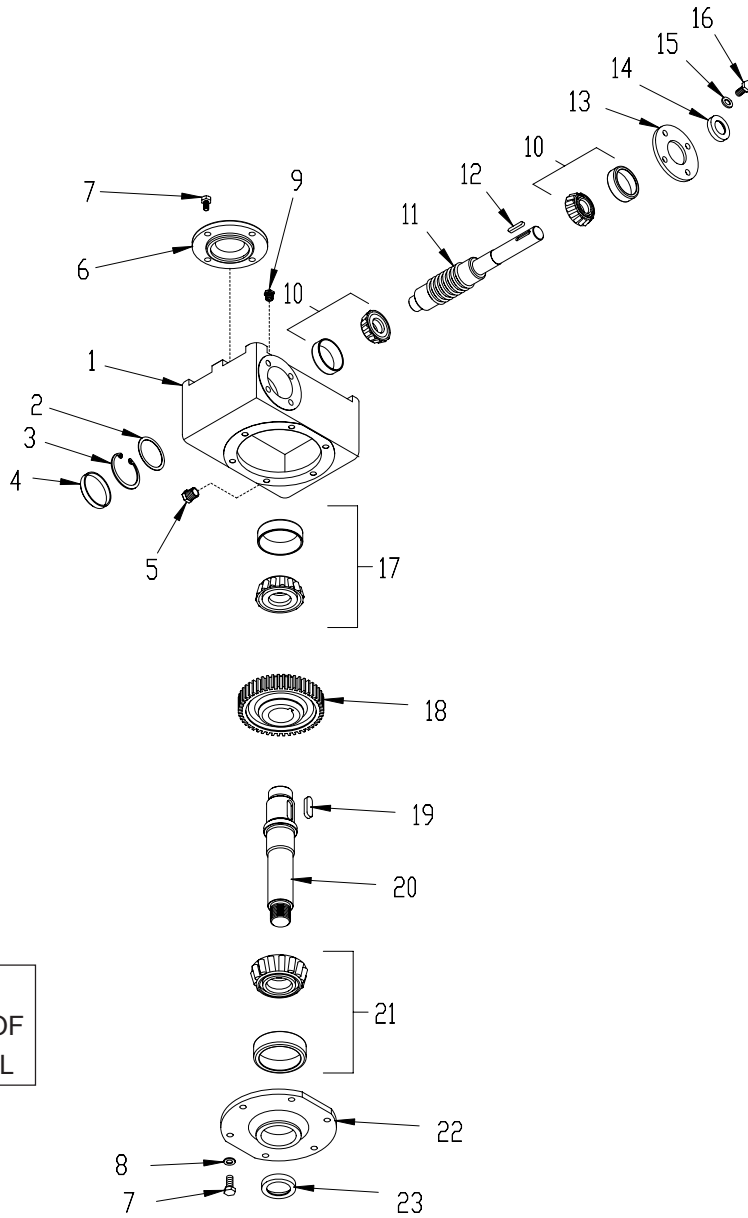
PARTS LISTING : ILLUSTRATION 6 : 1.5&2 HP ELECTRIC MOTOR GROUPING							
ITEM#	PART#	DESCRIPTION	QTY.	ITEM#	PART#	DESCRIPTION	QTY.
1	40041	CONNECTOR, LOCKING 20A/125V	1	26	10820	BOLT, CARRIAGE 5/16-18x1-1/4 F.T.	3
2	40042	PLUG, LOCKING 20A/125V	1	27	10333	SCREW, CAP 3/8-16 x 1-1/4	4
3	C84018	WIRE HARNESS 12/3x24"	1	28	10025	WASHER, FLAT 3/8 SAE	8
4	41130	STRAIN RELIEF 1/2NPT x .550-.650"	2	29	36017	MOUNT, ELECTRIC MOTOR	1
5	77043	SWITCH, ROTARY CAM ON/OFF (INCLUDES (2) 1/2" NPT ADAPTERS)	1	30	10011	SPACER, STEEL 5/8OD x 3/8ID x 3/8T	4
6	11663	SCREW, MACHINE 8-32 x 1/2	4	31	3653	SHEAVE 3"OD x 1GR.B x 3/4"BORE	1
7	77042	BRACKET, SWITCH BOX	1	32	10051	BELT 5L-270	1
8	10461	WASHER, LOCK, INT. TOOTH #8	4	33	3654	SHEAVE 5"OD x 1GR.B x 3/4"BORE	1
9	10462	NUT 8-32	4	34	3685	KEY, WOODRUFF 3/16x 1 (#608)	1
10	10846	SCREW, CAP STSHW 1/4-20x1/2	2	35	10053	SCREW, CAP 5/16-18x3/4	1
11	91173	DECAL, OFF (HORZ.)	1	36	3658	SPRING, IDLER RETURN	1
12	91174	DECAL, ON (VERT.)	1	37	3656	BRACKET, BELT STOP 1-3/4"	1
13	10982	TIE, CABLE, BLACK NYLON 11-1/4"	1	38	10807	NUT, LOCK 5/16-18	1
14	C84030	WIRE HARNESS 12/3x65"	1	39	10833	SCREW, MACHINE 10-32x3/4	1
15	10959	STRAIN RELIEF 3/4 NPT X .550-.650"	1	40	10850	WASHER, FLAT #10 SAE	1
16	10740	CONDUIT LOCK NUT 3/4 NP	1	41	10831	WASHER, LOCK, INT. TOOTH #10	1
17		MOTOR	1	42	10832	NUT 10-32	2
	14004	BALDOR 1.5HP-1PH 60HZ 3450RPM		43	10312	WASHER, FLAT 1/2 SAE	2
	16007	LEESON 2HP-1PH-60HZ-3450RPM		44	10205	NUT, LOCK 1/2-20	1
18	10817	BOLT, CARRIAGE 5/16-18x1-1/2 F.T.	1	45	3646	SCREW, CABLE ANCHOR 3/8-24x1	1
19	10213	WASHER, FLAT 5/16 SAE	17	46	3645	ARM, CLUTCH, 9" STRAIGHT	1
20	10113	SPACER, STEEL 9/16ODx3/8IDx7/32	4	47	10025	WASHER, FLAT 3/8 SAE	2
21	10025	WASHER, FLAT 3/8 SAE	3	48	10004	NUT, LOCK 3/8-24	1
22	10436	WASHER, LOCK, EXT. TOOTH 5/16"	2	49	10202	SCREW, CAP 1/2-20x3	1
23	3624	BRACKET, BELT STOP	1	50	10312	WASHER, FLAT 1/2 SAE	6
24	10801	WASHER, LOCK 5/16	4	51	3659	BEARING, RADIAL BALL 1/2x1-3/8x7/16	2
25	10054	NUT 5/16-18	4	52	10205	NUT, LOCK 1/2-20	2
				53	3651	COVER, BELT	1

ILLUSTRATION 7 : 3 HP ELECTRIC MOTOR GROUPING



PARTS LISTING : ILLUSTRATION 7 : 3 HP ELECTRIC MOTOR GROUPING							
ITEM#	PART#	DESCRIPTION	QTY.	ITEM#	PART#	DESCRIPTION	QTY.
1	40041	CONNECTOR, LOCKING 20A/125V	1	27	10025	WASHER, FLAT 3/8 SAE	8
2	40042	PLUG, LOCKING 20A/125V	1	28	36058	MOUNT PLATE, 3 HP MOTOR	1
3	C84018	WIRE HARNESS 12/3x24"	1	29	10011	SPACER, STEEL 5/8OD x 3/8ID x 3/8T	4
4	10605	STRAIN RELIEF 3/4NPT x .650-.750"	2	30	79023	SHEAVE 3"OD x 2GR.B x 1-1/8"BORE	1
5	77081	WASHER, FLAT 1-9/16 x 1-1/16 x .06	2	31	10234	BELT 5L-290	2
6	10740	CONDUIT LOCK NUT 3/4 NP	2	32	77058	SHEAVE 5"OD x 2GR.B x 3/4"BORE	1
7	16405	STARTER 11-M1-BRF-P23-23-23060	1	33	3685	KEY, WOODRUFF 3/16x1 (#608)	1
8	10362	SCREW, MACHINE 8-32 x 3/4	4	34	10053	SCREW, CAP 5/16-18x3/4	1
9	86027	MOUNTING BRKT., LOVATO STARTER	1	35	3658	SPRING, IDLER RETURN	1
10	10461	WASHER, LOCK, INT. TOOTH #8	4	36	3652	BRACKET, BELT STOP 3"	1
11	10462	NUT 8-32	4	37	10807	NUT, LOCK 5/16-18	1
12	10846	SCREW, CAP STSHW 1/4-20 x 1/2	2	38	10833	SCREW, MACHINE 10-32x3/4	1
13	10038	WASHER, LOCK 1/4	2	39	10850	WASHER, FLAT #10 SAE	1
14	10982	TIE, CABLE, BLACK NYLON 11-1/4"	1	40	10831	WASHER, LOCK, INT. TOOTH #10	1
15	C84030	WIRE HARNESS 12/3x65"	1	41	10832	NUT 10-32	2
16	81014	MOTOR, BALDOR 3HP-1PH-60HZ-3450RPM	1	42	10312	WASHER, FLAT 1/2 SAE	2
17	10817	BOLT, CARRIAGE 5/16-18 x 1-1/2 F.T.	1	43	10205	NUT, LOCK 1/2-20	1
18	10213	WASHER, FLAT 5/16 SAE	17	44	3646	SCREW, CABLE ANCHOR 3/8-24x1	1
19	10113	SPACER, STEEL 9/16OD x 3/8ID x 7/32	4	45	3645B	ARM, CLUTCH, 9" BENT	1
20	10436	WASHER, LOCK, EXT. TOOTH 5/16"	2	46	10025	WASHER, FLAT 3/8 SAE	2
21	3624	BRACKET, BELT STOP	1	47	10004	NUT, LOCK 3/8-24	1
22	10801	WASHER, LOCK 5/16	4	48	10202	SCREW, CAP 1/2-20x3	1
23	10054	NUT 5/16-18	4	49	10312	WASHER, FLAT 1/2 SAE	6
24	10025	WASHER, FLAT 3/8	3	50	3659	BEARING, RADIAL BALL 1/2x1-3/8x7/16	4
25	10820	BOLT, CARRIAGE 5/16-18x1-1/4 F.T.	3	51	10205	NUT, LOCK 1/2-20	2
26	10333	SCREW, CAP 3/8-16x1-1/4	4	52	4651	COVER, BELT	1

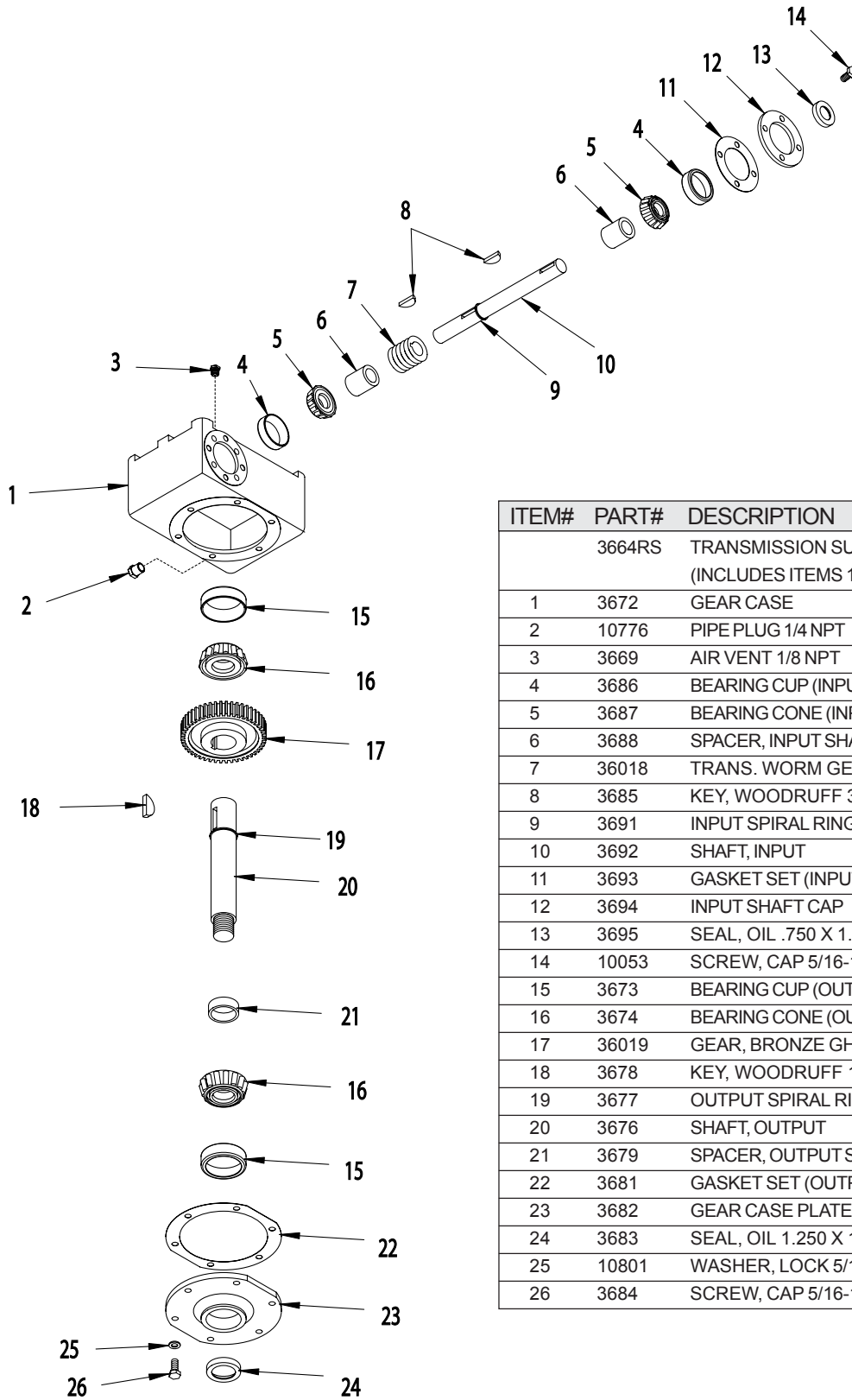
**ILLUSTRATION 8 : 20:1 RATIO TRANSMISSION ASSEMBLY
FOR STANDARD SPEED TROWELS, PART# 3664**



NOTE:
USES 16 OUNCES OF
MOBIL 634 GEAR OIL

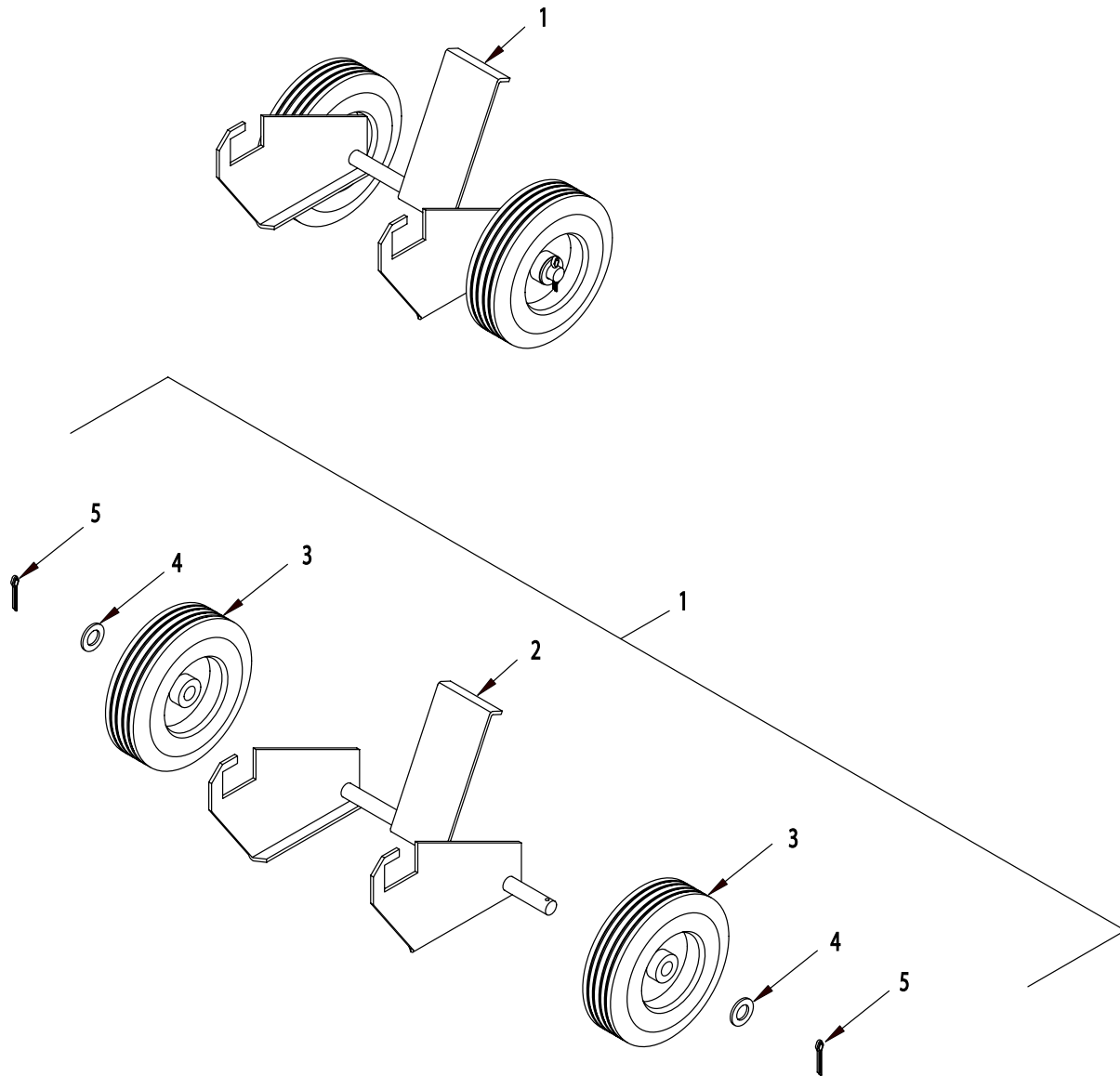
ITEM#	PART#	DESCRIPTION	QTY.	ITEM#	PART#	DESCRIPTION	QTY.
1	36101	TRANS. GEAR CASE	1	12	36108	TRANS. INPUT KEY 3/16SQ x 1	1
2	36111	TRANS. PLASTIC SHIM (USE AS REQ'D.)	-	13	36104	TRANS. INPUT FLANGE	1
3	36112	RETAINING RING, INT. 47MM	1	14	36110	TRANS. OIL SEAL, INPUT 20 x 35 x 7	1
4	36113	TRANS. BLANKING CAP	1	15	10801	WASHER, LOCK 5/16	4
5	36105	TRANS. PIPE PLUG 1/4NPT	1	16	10053	SCREW, CAP 5/16-18x3/4	4
6	36102	TRANS. GEAR CASE TOP COVER	1	17	36114	BEARING, TAPERED ROLLER 30206A	1
7	10806	SCREW, CAP 5/16-18 x1	10	18	36115	TRANS. BRONZE WORM WHEEL 20:1	1
8	10801	WASHER, LOCK 5/16	6	19	36116	TRANS. WHEEL KEY 10MM x 30MM	1
9	36106	TRANS. AIR VENT 1/4NPT	1	20	36117	TRANS. OUTPUT SHAFT	1
10	36109	BEARING, TAPERED ROLLER 30204A	2	21	36118	BEARING, TAPERED ROLLER 30207A	1
11	36107	TRANS. WORM SHAFT 20:1	1	22	36103	TRANS. OUTPUT FLANGE	1
				23	36119	TRANS. OIL SEAL, OUTPUT 35 x 55 x 11	1

**ILLUSTRATION 9 : 40:1 RATIO TRANSMISSION ASSEMBLY
FOR REDUCED SPEED TROWELS, PART# 3664-RS**

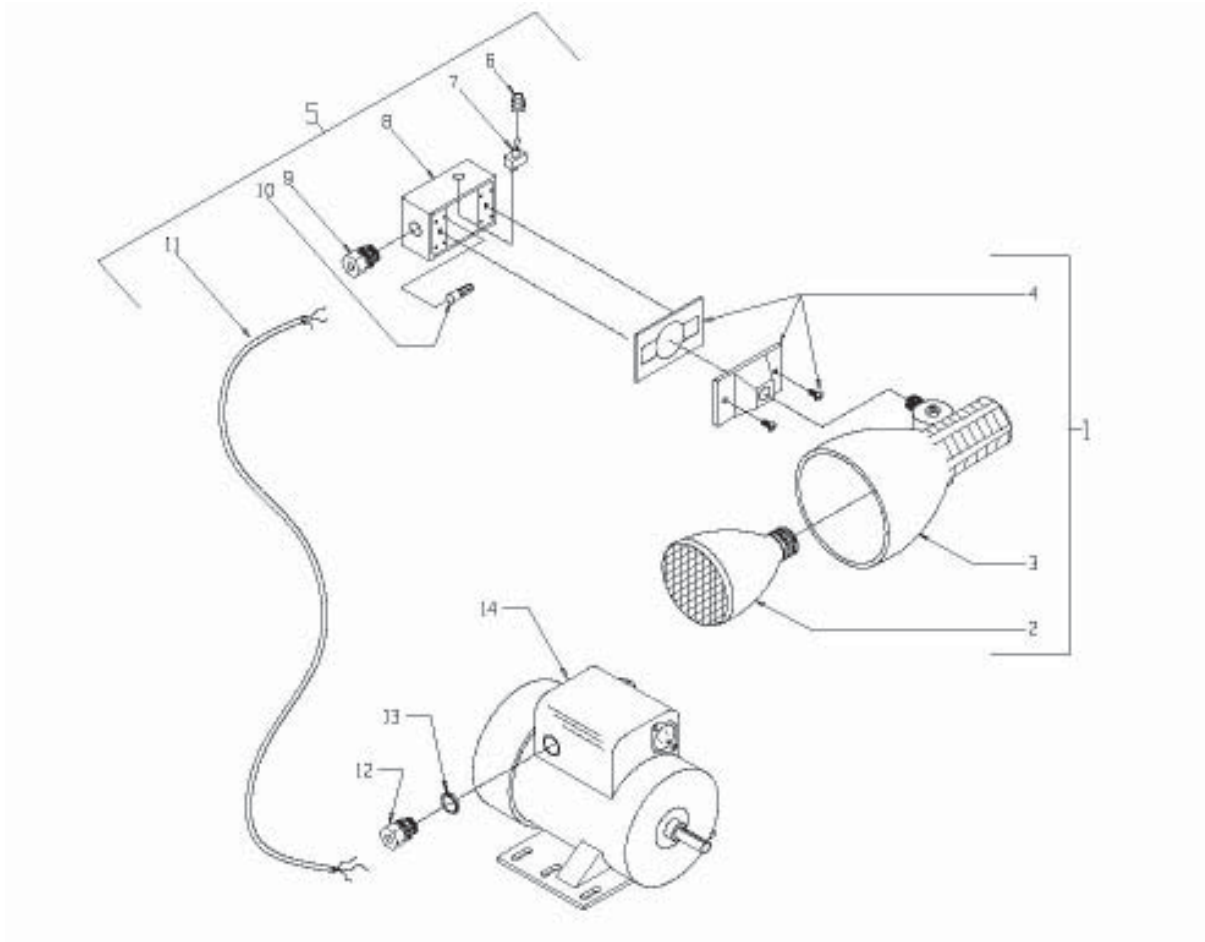


ITEM#	PART#	DESCRIPTION	QTY.
	3664RS	TRANSMISSION SUBASSY. (INCLUDES ITEMS 1-26)	1
1	3672	GEAR CASE	1
2	10776	PIPE PLUG 1/4 NPT	1
3	3669	AIR VENT 1/8 NPT	1
4	3686	BEARING CUP (INPUT)	2
5	3687	BEARING CONE (INPUT)	2
6	3688	SPACER, INPUT SHAFT	2
7	36018	TRANS. WORM GEAR W10A-1G X 3/4	1
8	3685	KEY, WOODRUFF 3/16x1 (#608)	2
9	3691	INPUT SPIRAL RING 3/4"	1
10	3692	SHAFT, INPUT	1
11	3693	GASKET SET (INPUT)	1
12	3694	INPUT SHAFT CAP	1
13	3695	SEAL, OIL .750 X 1.375 X .250 (INPUT)	1
14	10053	SCREW, CAP 5/16-18x3/4	4
15	3673	BEARING CUP (OUTPUT)	2
16	3674	BEARING CONE (OUTPUT)	2
17	36019	GEAR, BRONZE GHU-40:1	1
18	3678	KEY, WOODRUFF 1/4x1-1/4 (#810)	1
19	3677	OUTPUT SPIRAL RING 1-1/4"	1
20	3676	SHAFT, OUTPUT	1
21	3679	SPACER, OUTPUT SHAFT	1
22	3681	GASKET SET (OUTPUT)	1
23	3682	GEAR CASE PLATE	1
24	3683	SEAL, OIL 1.250 X 1.686 X .375 (OUTPUT)	1
25	10801	WASHER, LOCK 5/16	6
26	3684	SCREW, CAP 5/16-18x7/8	6

ILLUSTRATION 10 : OPTIONAL "TOTE-A-TROWEL"



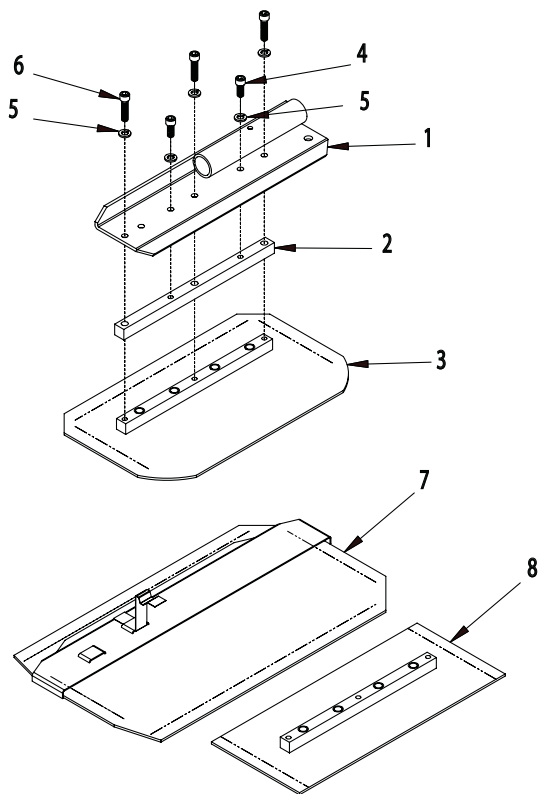
ITEM#	PART#	DESCRIPTION	QTY.
1	81400	TAT II "TOTE-A-TROWEL" TRANSPORTER (INCLUDES ITEMS 2-5)	1
2	81401	MAIN FRAME, TAT II	1
3	79013	WHEEL 8 x 2-1/2 x 3/4"BRG	2
4	10009	WASHER, FLAT 3/4	2
5	10306	PIN, COTTER 3/16x1-1/4	2

ILLUSTRATION 11 : OPTIONAL 110 VOLT LAMP KIT**PART # C84001**

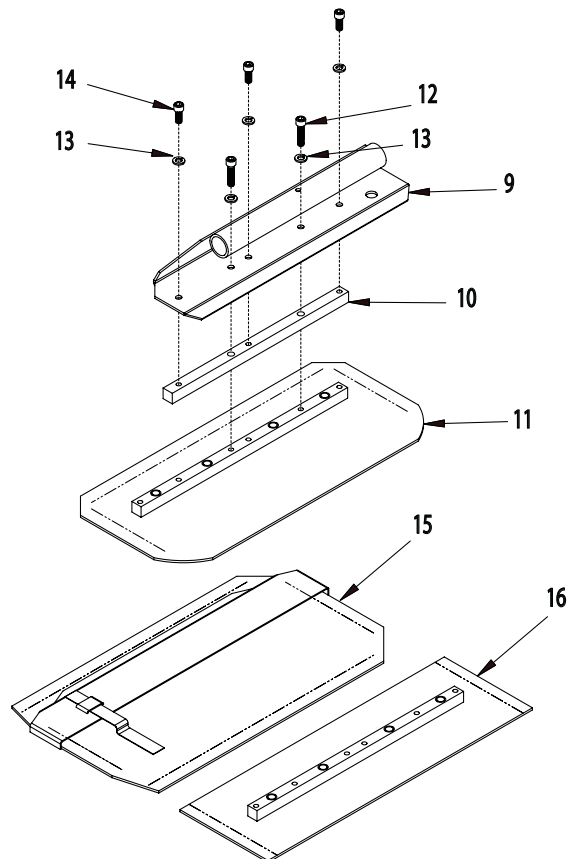
ITEM#	PART#	DESCRIPTION	QTY.
1	C84007A	LAMP SUB-ASSEMBLY(INCLUDES ITEMS 2 – 4)	1
2	C84006	LIGHT BULB, FLOOD 75W	1
3	C84007	LAMP HOLDER	1
4	C84008	LAMP HOLDER BOX COVERW/ GASKET & SCREWS	1
5	C84009A	SWITCH BOX SUB-ASSEMBLY(INCLUDES ITEMS 6 – 11)	1
6	10674	BOOT, TOGGLE SWITCH	1
7	10633	SWITCH, TOGGLE SPST	1
8	C84009	BOX, SINGLE GANG WEATHERPROOF	1
9	40066	CONNECTOR, STRAIN RELIEF ½ NPT x .35 -.45 RANGE	1
10	10965	CONNECTOR, WIRE NUT (RED)	1
11	C84029	WIRE HARNESS 16/3 x 66"	1
12	10959	CONNECTOR, STRAIN RELIEF 3/4 NPT x .550-.650"	1
13	10740	CONDUIT LOCK NUT ¾ NP	1
14	-----	MOTOR, ELECTRIC	1

BOLT-ON STYLE TROWEL BLADE GROUPING -OPTIONAL-

36" TROWELS



46" TROWELS



ITEM#	PART#	DESCRIPTION	QTY.**
1	36007	ARM, BLADE 13" (STANDARD ARM ALSO USED FOR ADAPTERS)	1
2	36016	ADAPTER BAR, CONV. BLADE 5/8" SQ. x 10-1/4" (FITS CURRENT EDCO TROWELS WITH 13" ARM)	1
3	40040-C	C-1C COMB. TROWEL BLADE, CONV. BOLT-ON	1
4	11639	SCREW, SKT. HD. CAP 5/16-18 X 5/8	2
5	10801	WASHER, LOCK 5/16	5
6	C10577	SCREW, SKT HD CAP 5/16-18 X 1-1/4	3
7*	40060-CE	M-1CE FLOAT TROWEL BLADE, CONV. SLIP-ON (FITS CURRENT EDCO TROWELS ONLY WITH 13" ARM)	1
	40060-C	M-1C FLOAT TROWEL BLADE, CONV. SLIP-ON (FITS OLD EDCO TROWELS WITH 11" ARM)	1
8	40050-C	F-1C FINISH TROWEL BLADE, CONV. BOLT-ON	1
9	4618	ARM, BLADE 15-1/4" (CONV. BOLT-ON ONLY)	1
10	4619	ADAPTER BAR, CONV. BLADE 5/8" SQ. x 12"	1
11	40070-C	C-3C COMB. TROWEL BLADE, CONV. BOLT-ON	1
12	C10577	SCREW, SKT. HD. CAP 5/16-18 X 1-1/4	2
13	10801	WASHER, LOCK 5/16	5
14	11639	SCREW, SKT HD CAP 5/16-18 X 5/8	3
15*	40090-C	M-3C FLOAT TROWEL BLADE, CONV. SLIP-ON	1
16	40080-C	F-3C FINISH TROWEL BLADE, CONV. BOLT-ON	1
* SLIP-ON FLOAT BLADES REQUIRE BOLT-ON FINISH BLADES			
** QUANTITIES ARE BASED ON SINGLE BLADE ARM (MULTIPLY BY # OF BLADES PER TROWEL)			