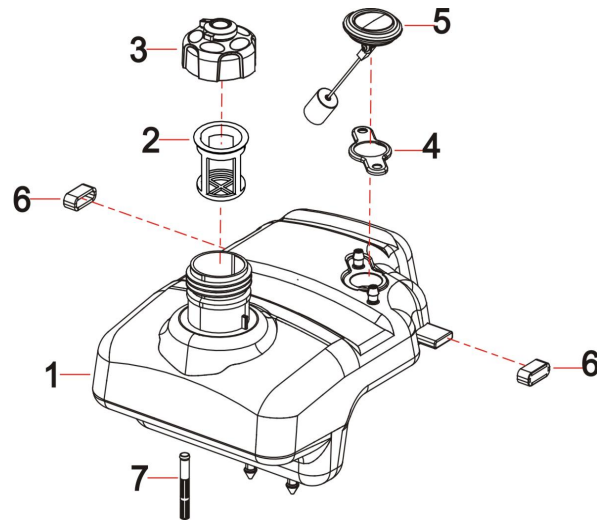




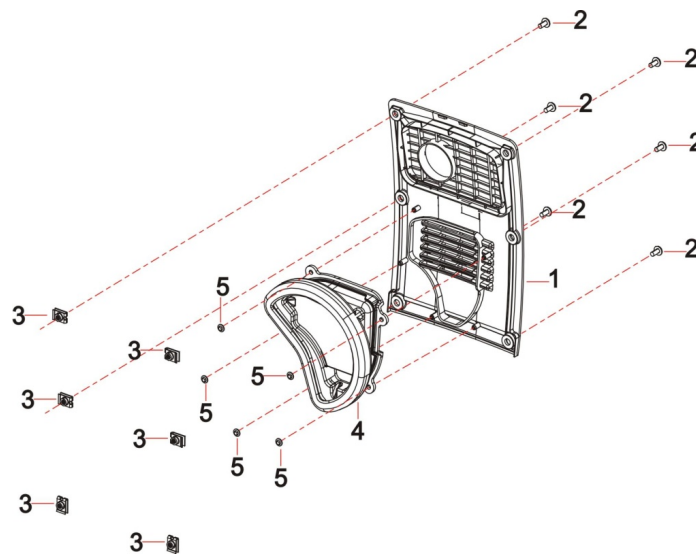
INVERTER GENERATOR I2000L

CYLINDER HEAD



REF NO.	DESCRIPTION	QTY	PART NO.
1	TANK, FUEL	1	85.571.513
2	FUEL FILTER	1	85.571.514
3	COVER, FUEL TANK	1	
4	CLAMP OIL SEAL	1	85.571.515
5	FUEL GAUGE	1	
6	BUSH	2	85.571.516
7	ELEMENT, STRAINER	1	85.571.517

EXHAUST COVER

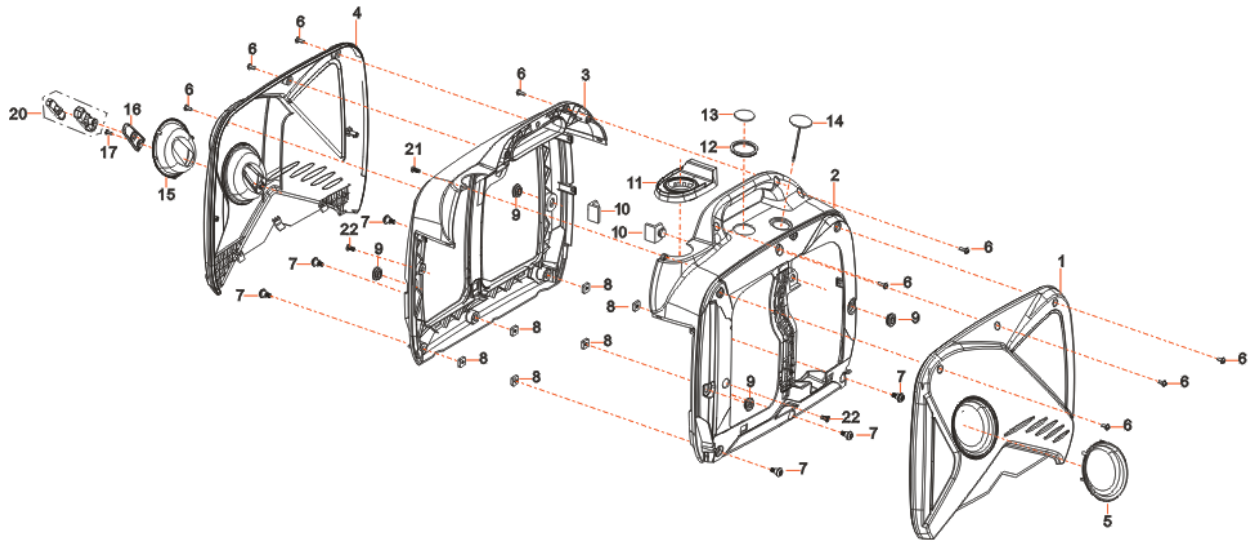


REF NO.	DESCRIPTION	QTY	PART NO.
1	COVER, MUFFLER SIDE	1	85.571.501



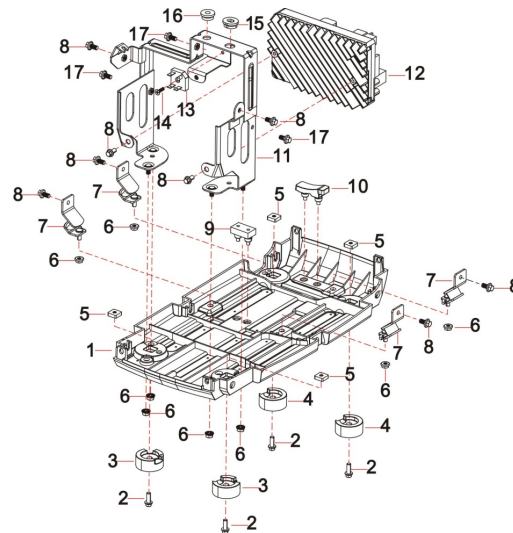
INVERTER GENERATOR I2000L

PLASTIC HOUSING



REF NO.	DESCRIPTION	QTY	PART NO.
1	RIGHT PLATE - DARK GRAY	1	85.571.518
4	LEFT PLATE - DARK GRAY	1	85.571.511
12	JACKET, RUBBER	1	85.571.525
13	OPENING, OIL LEVEL VIEW	1	
16	GUIDE, STARTING ROPE	1	85.571.502
17	BOLT	1	
20	HANDLE, RECOIL STRATER CABLE	1	

BASE PLATE/FEET

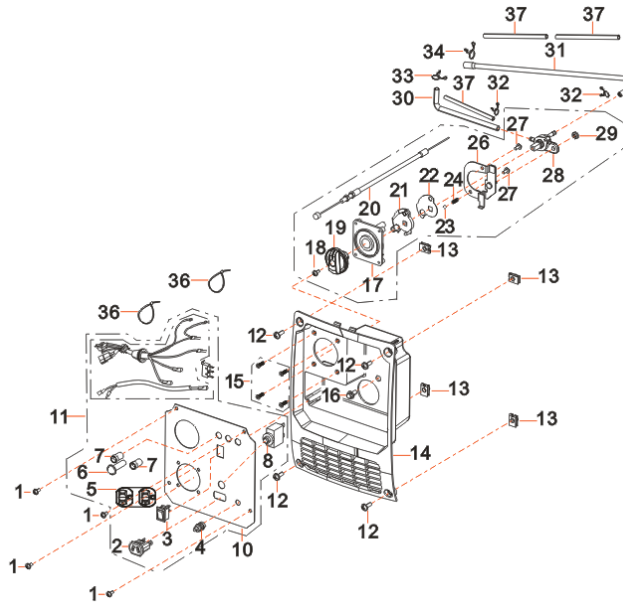


REF NO.	DESCRIPTION	QTY	PART NO.
3	SEAT,FRAME	2	85.571.503
4	SEAT,FRAME	2	
12	INVERTOR	1	85.571.504
13	RECTIFIER BRIDGE	1	85.571.049



INVERTER GENERATOR I2000L

CONTROL PANEL ASSY

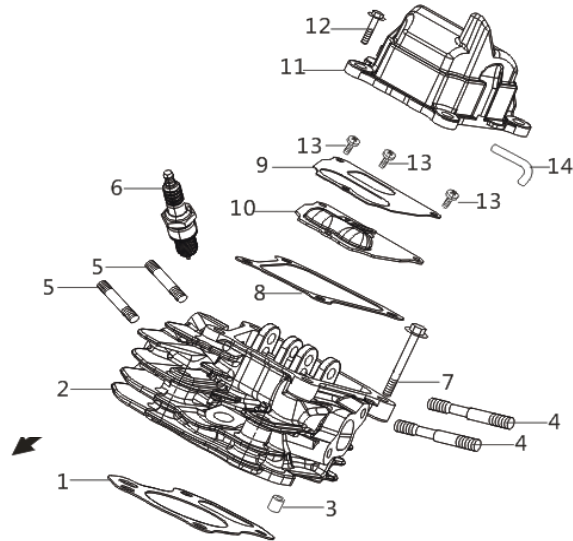


REF NO.	DESCRIPTION	QTY	PART NO.	
2	SOCKET SUBASSEMBLY, D.C	1	85.571.505	
5	120 VOLT DUPLEX RECEPTACLE	1		
3	IDLE SPEED ADJUSTING	1	85.571.520	
6	HEADLIGHT	1	85.571.521	
7	HEADLIGHT	2		
8	CIRCUIT BREAKER 20 AMP 1 POLE	1	85.571.506	
11	PANEL, CONTROL, ASSY.	1	85.571.526	
14	SEAT, PANEL	1	85.571.512	
18	BOLT	1		
19	KNOB	1		
20	HANDLE SUBASSEMBLY, CHOKE	1		
21	GUIDE	1		
22	BLOCK CHOKE CABLE STOPPER	1		
23	BALL, STEEL	1		
24	SPRING, STOPPER ADJUSTING	1		
26	BRACKET, FUEL COCK	1		
27	BOLT	2		
28	COCK ASSY, FUEL	1		
29	NUT	1		
30	TUBE, FUEL	1		85.571.508
31	TUBE, FUEL	1		
32	COLLAR	2		
33	COLLAR	1		
34	COLLAR	1		
37	JACKET, RUBBER	3		



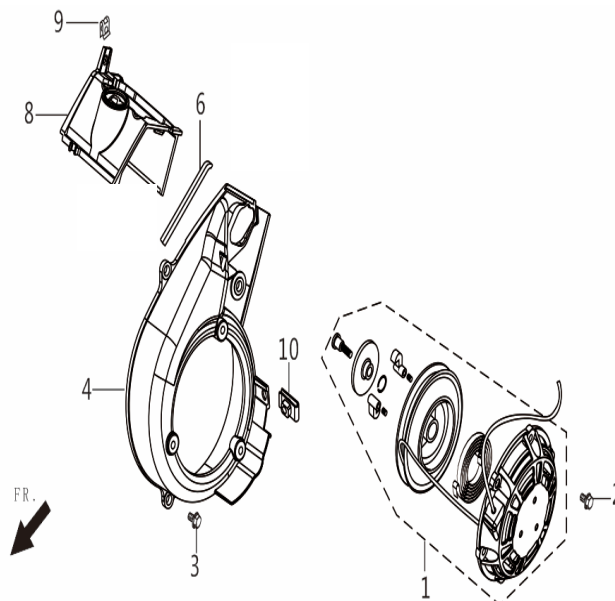
INVERTER GENERATOR 12000L

HEAD SUBASSEMBLY, CYLINDER, SPARK PLUG



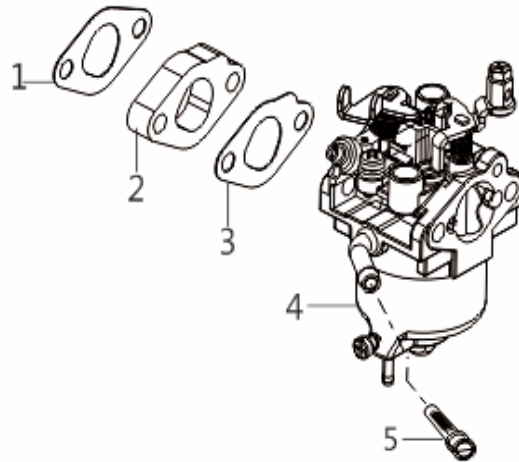
REF NO.	DESCRIPTION	QTY	PART NO.
1	GASKET, CYLINDER HEAD	1	85.571.527
8	GASKET, CYLINDER HEAD COVER	1	
6	SPARK PLUG	1	85.571.522

RECOIL STARTER



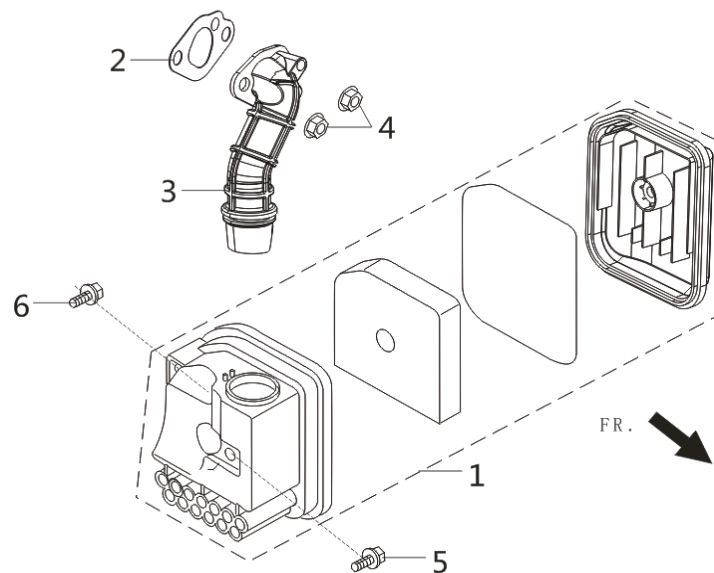
REF NO.	DESCRIPTION	QTY	PART NO.
1	STARTER ASSY, RECOIL	1	85.571.509

CARBURETOR



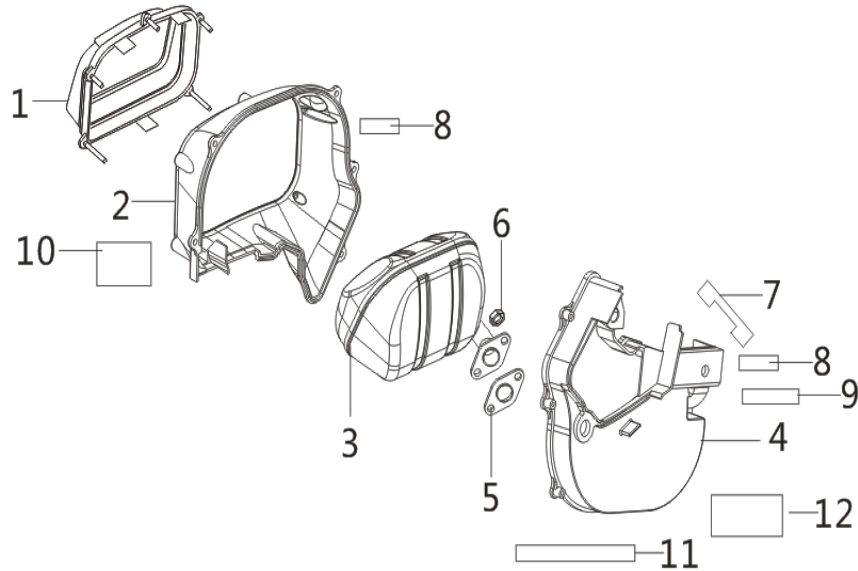
REF NO.	DESCRIPTION	QTY	PART NO.
1	GASKET, CARBURETOR	1	85.571.523
2	PLATE, CARBURETOR INSULATOR	1	
3	GASKET, CARBURETOR INSULATOR	1	
4	CARBURETOR ASSY.	1	
5	FUEL STRAINER	1	

AIR FILTER



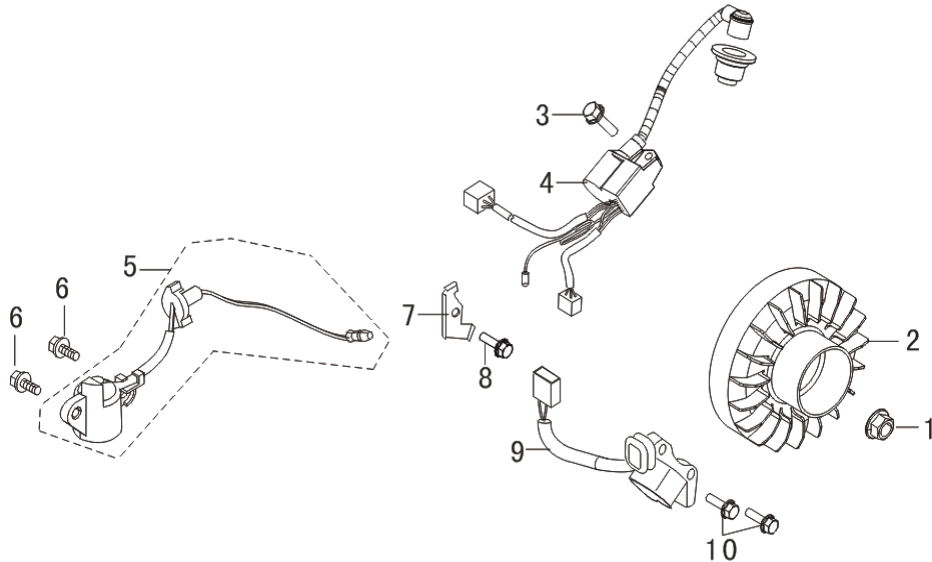
REF NO.	DESCRIPTION	QTY	PART NO.
1	AIR FILTER	1	85.571.528
2	GASKET, AIR CLEANER	1	
3	DUCT, AIR CLEANER INTAKE	1	
4	NUT	2	
5	BOLT	1	
6	BOLT	1	

AIR FILTER



REF NO.	DESCRIPTION	QTY	PART NO.
3	MUFFLER BODY	1	85.571.524
5	GASKET, EXHAUST OUTLET	1	
6	NUT	2	

FLYWHEEL / IMPELLER / IGNITION COIL



REF NO.	DESCRIPTION	QTY	PART NO.
4	IGNITOR	1	85.571.529
9	COIL, IGNITION	1	85.571.510