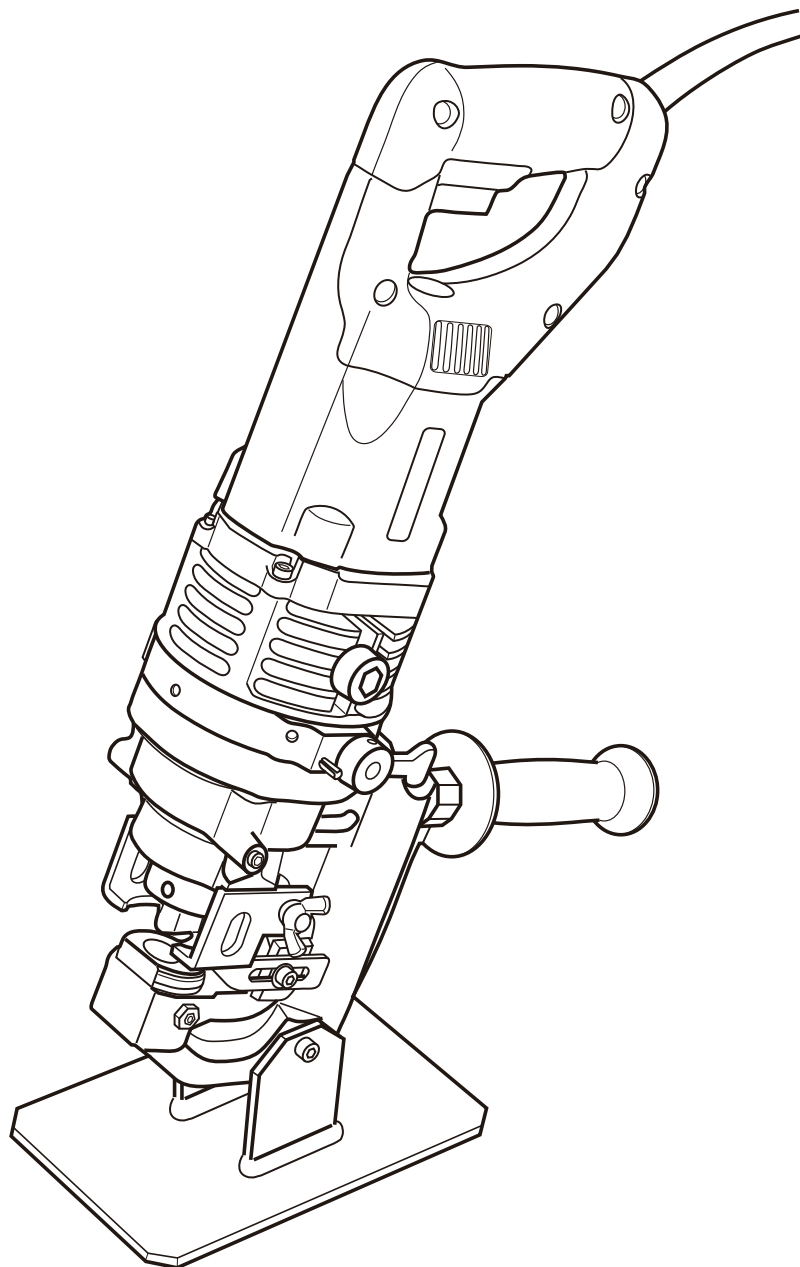


Hougen[®]-Ogura[™]

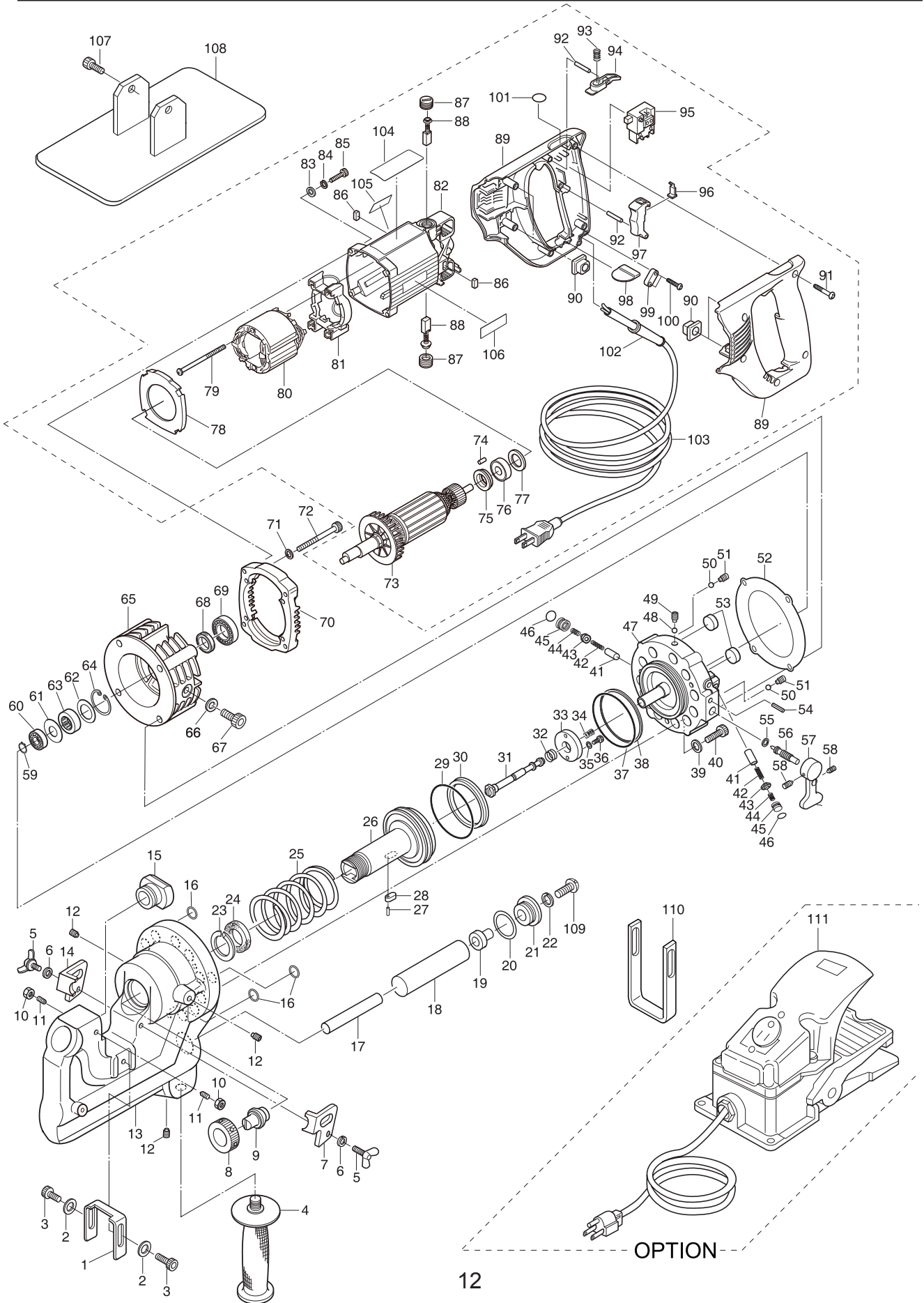
75004PR PUNCH PRO[™] ELECTRO-HYDRAULIC HOLE PUNCHER

OPERATOR'S MANUAL

COVERS HOLE PUNCHER PART NUMBERS 0754102 & 0754202



PARTS BREAKDOWN



MODEL 75004PR PARTS LIST

Det #	Part #	Description	Qty
1	76460	Slide Stopper	1
2	75157	Washer WM5	2
3	76402	Bolt HB5 x 12	2
4	75063	Grip Handle	1
5	75175	Bolt 6 x 15	2
6	75162	Washer SW6	2
7	76461	Stripper R	1
8	76404	Punch Retaining Nut	1
9	SEE LIST	Punch	1
10	75091	Nut NM6	2
11	75120	Bolt HS6 x 15	2
12	76405	Bolt GDL 1/16	3
13	76462	C-frame	1
14	76463	Stripper L	1
15	SEE LIST	Die	1
16	75909	O Ring P8	3
17	----	Urethane Form	1
18	75137	Oil Leveler Sack	1 set
19	76408	Bushing	1
20	76409	O Ring	1
21	76410	Bushing Holder	1
22	75155	Washer SW8	1
23	76411	Back Up Ring	1
24	76412	SKY Packing	1
25	76464	Punch Return Spring	1
26	76465	Punch Rod	1
27	75099	Spring Pin	1
28	75135	Punch Rod Key	1
29	76414	O Ring	1
30	76415	Packing	1
31	76416	Spool Release Valve	1
32	75202	Valve Return Spring	1
33	75203	Stopper Plate	1
34	76417	Release Valve Spring	1
35	75101	Washer HW4	2
36	75205	Bolt HB4 x 6	2
37	76418	O Ring	1
38	76419	Back Up Ring	1
39	75159	Washer	12
40	76420	Bolt HB8 x 22	12
41	76421	Piston	2
42	75053	Piston Return Spring	2
43	75050	Check Valve	2
44	75052	Check Valve Spring	2
45	75325	Packing	2
46	75326	O Ring	2
47	76466	Cylinder with Piston	1 set
48	75208	Steel Ball D4	5
49	75207	Bolt HS5 x 5	5
50	76423	Steel Ball D3	2
51	76424	Bolt HS4 x 4	2
52	76425	Liner B	1
53	75054	Magnet	2
54	75209	Spring Pin	1
55	75085	O Ring	1
56	75046	Return Valve	1
57	75047	Return Lever	1
58	75160	Bolt HS6 x 8	2
59	75256	Stop Ring	1
60	76467	Ball Bearing	1
61	76426	Needle Holder B	1

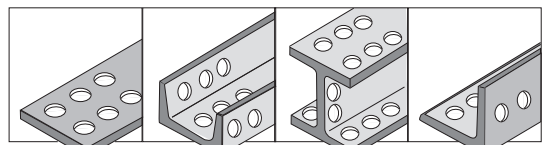
Det #	Part #	Description	Qty
62	76427	Needle Holder A	1
63	76428	Needle Bearing	1
64	76429	Stop Ring	1
65	76430	Pump Case	1
66	75090	Seal Washer	1
67	75107	Bolt HB10 x 15	1
68	75259	Oil Seal	1
69	75327	Ball Bearing	1
70	76468	Motor Flange	1
71	75835	Washer	4
72	76433	Bolt	4
73	75821	Armature Set (110V)	1 set
	76469	Armature Set (220V)	1 set
74	75825	Rubber Pin	1
75	75822	Insulator Washer	1
76	75823	Ball Bearing	1
77	75824	Thrust Washer	1
78	75827	Fun Guide	1
79	75828	Screw 5 x 65	2
80	75829	Field (110-115V)	1
	76470	Field (220-240V)	1
81	75830	Field Support Set	1
82	75838	Motor Housing Set	1
83	75835	Washer MW5	4
84	75836	Washer SW5	4
85	75837	Bolt HB5 x 25	4
86	75834	Anti Vibration Rubber B	2
87	75831	Brush Cap	2
88	75832	Carbon Brush (Pair)	1 set
89	75839	Handle Set (Pair)	1 set
90	75850	Anti Vibration Rubber A	4
91	75851	Screw 4 x 25	5
92	75841	Pin 3	2
93	75842	Compression Spring	1
94	75843	Lever	1
95	75844	Trigger Switch	1
96	75845	Spacer	1
97	75846	Switch Lever	1
98	75847	Rubber Plate	1
99	75848	Cord Clamp (110-115V)	1
	76446	Cord Clamp (220-240V)	1
100	75849	Screw	2
101	75840	Label	1
102	75852	Strain Relief (115V)	1
	76449	Strain Relief (230V)	1
103	75870	Electric Supply (115V)	1
	76451	Electric Supply (230V)	1
	76477	Electric Supply (230V, Type I)	1
104	76471	Name Label (115V)	1
	76478	Name Label (220V)	1
105	75865	Caution Label	1
106	75864	Ogural Logo Label	1
107	75156	Bolt HB6 x 15	2
108	76456	Work Stand	1
109	76472	Retaining Screw	1
110	76458	Slide Stopper	1
111	75110	Foot Switch (115V)	1
	76479	Foot Switch (230V)	1
	76480	Foot Switch (230V, Type I)	1
112	76459	Condenser	1

PUNCHES AND DIES FOR 75004PR

ROUND PUNCH				MATERIAL		DIE	
Nominal	Size		Part No.	Thickness	Style	Size	Part No.
	Actual	Metric					
15/64"	.234	6mm	76334	5/64 (.078) to 1/8 (.125) 14 to 11 GA.	F, A, H	Die 15/64 SA	76308
				5/64 (.078) to 1/4 (.250) 14 to 3 GA.	F, A, H	Die 15/64 SB	76309
1/4"	.256	6.5mm	76335	5/64 (.078) to 1/8 (.125) 14 to 11 GA.	F, A, H	Die 1/4 SA	76310
				5/64 (.078) to 1/4 (.250) 14 to 3 GA.	F, A, H	Die 1/4 SB	76311
5/16"	.315	8mm	76336	5/64 (.078) to 1/8 (.125) 14 to 11 GA.	F, A, H	Die 5/16 SA	76312
				5/64 (.078) to 1/4 (.250) 14 to 3 GA.	F, A, H	Die 5/16 SB	76313
11/32"	.335	8.5mm	76337	5/64 (.078) to 1/8 (.125) 14 to 11 GA.	F, A, H	Die 11/32 SA	76314
				5/64 (.078) to 1/4 (.250) 14 to 3 GA.	F, A, H	Die 11/32 SB	76315
3/8"	.394	10mm	76338	5/64 (.078) to 1/8 (.125) 14 to 11 GA.	F, A, H	Die 3/8 SA	76316
				5/64 (.078) to 1/4 (.250) 14 to 3 GA.	F, A, H	Die 3/8 SB	76317
				5/16" (.312) max.	C	Die 3/8 C	75450
7/16"	.433	11mm	76339	5/64 (.078) to 1/8 (.125) 14 to 11 GA.	F, A, H	Die 7/16 SA	76318
				5/64 (.078) to 3/8 (.375) 14 to 3 GA.	F, A, H	Die 7/16 SB	76319
				5/16" (.312) max.	C	Die 7/16 C	75451
15/32"	.472	12mm	75910	5/64 (.078) to 1/8 (.125) 14 to 11 GA.	F, A, H	Die 15/32 SA	75912
				5/64 (.078) to 1/4 (.250) 14 to 3 GA.	F, A, H	Die 15/32 SB	75913
1/2"	.512	13mm	76340	5/64 (.078) to 1/8 (.125) 14 to 11 GA.	F, A, H	Die 1/2 SA	76320
				5/64 (.078) to 3/8 (.375) 14 to 3 GA.	F, A, H	Die 1/2 SB	76321
				5/16" (.312) max.	C	Die 1/2 C	75452
9/16"	.551	14mm	76341	5/64 (.078) to 1/8 (.125) 14 to 11 GA.	F, A, H	Die 9/16 SA	76322
				5/64 (.078) to 3/8 (.375) 14 to 3 GA.	F, A, H	Die 9/16 SB	76323
				5/16" (.312) max.	C	Die 9/16 C	75453
19/32"	.591	15mm	76342	5/64 (.078) to 1/8 (.125) 14 to 11 GA.	F, A, H	Die 19/32 SA	76324
				5/64 (.078) to 3/8 (.375) 14 to 3 GA.	F, A, H	Die 19/32 SB	76325
5/8"	.625	15.9mm	76343	5/64 (.078) to 1/8 (.125) 14 to 11 GA.	F, A, H	Die 5/8 SA	76326
				5/64 (.078) to 3/8 (.375) 14 to 3 GA.	F, A, H	Die 5/8 SB	76327
				5/16" (.312) max.	C	Die 5/8 C	75959
11/16"	.688	17.5mm	76344	5/64 (.078) to 1/8 (.125) 14 to 11 GA.	F, A, H	Die 11/16 SA	76328
				5/64 (.078) to 3/8 (.375) 14 to 3 GA.	F, A, H	Die 11/16 SB	76329
				5/16" (.312) max.	C	Die 11/16 C	75960
23/32"	.709	18mm	75911	5/64 (.078) to 1/8 (.125) 14 to 11 GA.	F, A, H	Die 23/32 SA	75915
				5/64 (.078) to 3/8 (.375) 14 to 3 GA.	F, A, H	Die 23/32 SB	75916
3/4"	.750	19mm	76345	5/64 (.078) to 1/8 (.125) 14 to 11 GA.	F, A, H	Die 3/4 SA	76330
				5/64 (.078) to 3/8 (.375) 14 to 3 GA.	F, A, H	Die 3/4 SB	76331
				5/16" (.312) max.	C	Die 3/4 C	75961
25/32"	.787	20mm	76346	5/64 (.078) to 1/8 (.125) 14 to 11 GA.	F, A, H	Die 25/32 SA	76332
				5/64 (.078) to 3/8 (.375) 14 to 3 GA.	F, A, H	Die 25/32 SB	76333
				5/16" (.312) max.	C	Die 25/32 C	75962

OBLONG PUNCH				MATERIAL		DIE	
Nominal	Size		Part No.	Thickness	Style	Size	Part No.
	Actual	Metric					
1/4"	.256	6.5mm	76347	5/64 (.078) to 1/8 (.125) 14 to 11 GA.	F, A, H	Die 1/4 x 3/8 A	76300
x	x	x		5/64 (.078) to 1/4 (.250) 14 to 3 GA.	F, A, H	Die 1/4 x 3/8 B	76301
3/8"	.394	10mm					
1/4"	.256	6.5mm	76348	5/64 (.078) to 1/8 (.125) 14 to 11 GA.	F, A, H	Die 1/4 x 1/2 A	75643
x	x	x		5/64 (.078) to 1/4 (.250) 14 to 3 GA.	F, A, H	Die 1/4 x 1/2 B	75644
1/2"	.512	13mm					
11/32"	.335	8.5mm	76349	5/64 (.078) to 1/8 (.125) 14 to 11 GA.	F, A, H	Die 11/32 x 1/2 A	75645
x	x	x		5/64 (.078) to 1/4 (.250) 14 to 3 GA.	F, A, H	Die 11/32 x 1/2 B	75646
1/2"	.512	13mm					
11/32"	.335	8.5mm	76350	5/64 (.078) to 1/8 (.125) 14 to 11 GA.	F, A, H	Die 11/32 x 43/64 A	76302
x	x	x		5/64 (.078) to 1/4 (.250) 14 to 3 GA.	F, A, H	Die 11/32 x 43/64 B	76303
43/64"	.669	17mm					
23/64"	.354	9mm	76351	5/64 (.078) to 1/8 (.125) 14 to 11 GA.	F, A, H	Die 23/64 x 17/32 A	76304
x	x	x		5/64 (.078) to 1/4 (.250) 14 to 3 GA.	F, A, H	Die 23/64 x 17/32 B	76305
17/32"	.531	13.5mm					
3/8"	.394	10mm	76352	5/64 (.078) to 1/8 (.125) 14 to 11 GA.	F, A, H	Die 3/8 x 19/32 A	76306
x	x	x		5/64 (.078) to 1/4 (.250) 14 to 3 GA.	F, A, H	Die 3/8 x 19/32 B	76307
19/32"	.591	15mm					
7/16"	.433	11mm	76353	5/64 (.078) to 1/8 (.125) 14 to 11 GA.	F, A, H	Die 7/16 x 5/8 A	75647
x	x	x		5/64 (.078) to 3/8 (.375) 14 to 3 GA.	F, A, H	Die 7/16 x 5/8 B	75648
5/8"	.625	15.9mm					
				5/16" (.312) max.	C	Die 7/16 x 5/8 C	75655
1/2"	.512	13mm	76354	5/64 (.078) to 1/8 (.125) 14 to 11 GA.	F, A, H	Die 1/2 x 3/4 A	75649
x	x	x		5/64 (.078) to 3/8 (.375) 14 to 3 GA.	F, A, H	Die 1/2 x 3/4 B	75650
3/4"	.750	19mm					
				5/16" (.312) max.	C	Die 1/2 x 3/4 C	75963
9/16"	.551	14mm	76355	5/64 (.078) to 1/8 (.125) 14 to 11 GA.	F, A, H	Die 9/16 x 13/16 A	75651
x	x	x		5/64 (.078) to 3/8 (.375) 14 to 3 GA.	F, A, H	Die 9/16 x 13/16 B	75652
13/16"	.827	21mm					
				5/16" (.312) max.	C	Die 9/16 x 13/16 C	75964

• Punching capacity data is based on mild steel of 65,000 psi tensile strength



Flat Bar Channel H-Steel Angle