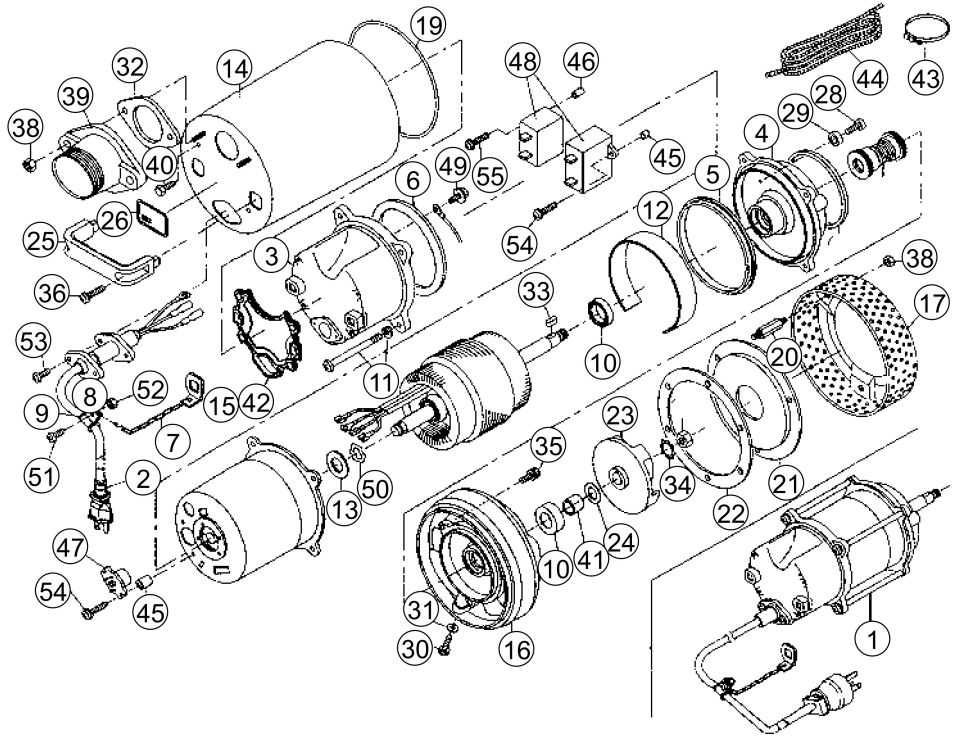


**PB7-65011-BAB**

**2" SUBMERSIBLE  
TOP DISCHARGE  
1 HP 110V**



REF NO.	PART NO.	DESCRIPTION	QTY.
1	0438048	MOTOR ASSEMBLY	1
2	0430232	POWER CORD	1
3	0430012	HEAD COVER	1
4	0430220	FRONT BRACKET	1
5	0430004	FRAME GASKET	1
6	0430003	HEAD GASKET	1
7	0390027	CHAIN ASSEMBLY	1
8	0260018	CORD BAND	1
9	0390031	CORD SUPPORTER	1
10	893555043	OIL SEAL	2
11	0430043	SCREW M6 x 14	4
12	0430231	SUPPORTER	1
13	0430082	WASHER	1
14	0430008	OUTER COVER	1
15	0430013	OUTER GASKET	1
16	0430223	CASING	1
17	0430225	STRAINER	1
18	889955100	O-RING	1
19	890155150	O-RING	1
20	0430253	STUD BOLT	3
21	0430226	SUCTION COVER	1
22	0430227	SUCTION COVER GASKET	1
23	0430234	IMPELLER	1
24	0390025	ADJUSTING WASHER	2
25	0430078	HANDLE	1
26		LABEL	1
27	0390003	MECHANICAL SEAL	1

REF NO.	PART NO.	DESCRIPTION	QTY.
28	0340153	SCREW M6 x 8	1
29	0340142	SEAL RING	1
30	0390037	HEX SOCKET BOLT M10 x 12	1
31	854255010	SEAL WASHER	1
32	0390092	DELIVERY GASKET	1
33	884205023	KEY	1
34	845205010	TOOTHED WASHER	1
35	0430044	HEX SOCKET BOLT M6 x 20	3
36	707605057	SCREW M6 x 20	2
37	827405010	HEX NUT M10	1
38	827405008	HEX NUT M8	5
39	0430143	DELIVERY FLANGE	1
40	747805028	HEX BOLT M6 x 12	4
41	0430074	SLEEVE	1
43	940019060	HOSE BAND	1
44	0390101	ROPE	1
45	0430294	SPACER	3
46	0430295	SPACER	1
47	0430293	THERMAL PROTECTOR	1
48	0430296	CONDENSER	2
49	707819036	SCREW M4 x 8	3
50	0430082	WAVE WASHER	1
51	703305100	SCREW M5 x 10	1
52	827305005	HEX NUT M5	1
53	703305102	SCREW M5 x 14	2
54	708119039	SCREW M4 x 14	3
55	708119041	SCREW M4 x 20	1