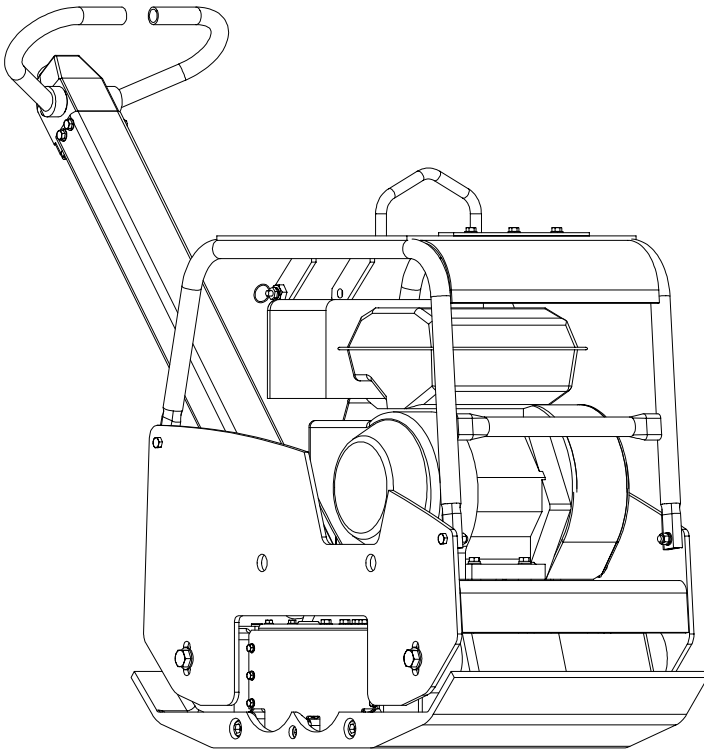


Operator's Safety and Service Manual GPR78D (DIESEL) GPR78H (GASOLINE)



It is the OWNER'S RESPONSIBILITY to communicate information on the SAFE USE and OPERATION of this machine to the operators!

MBW INC.

**250 HARTFORD ROAD • P.O. BOX 440
SLINGER, WI 53086-0440
PHONE: (262) 644-5234
FAX (262) 644-5169**

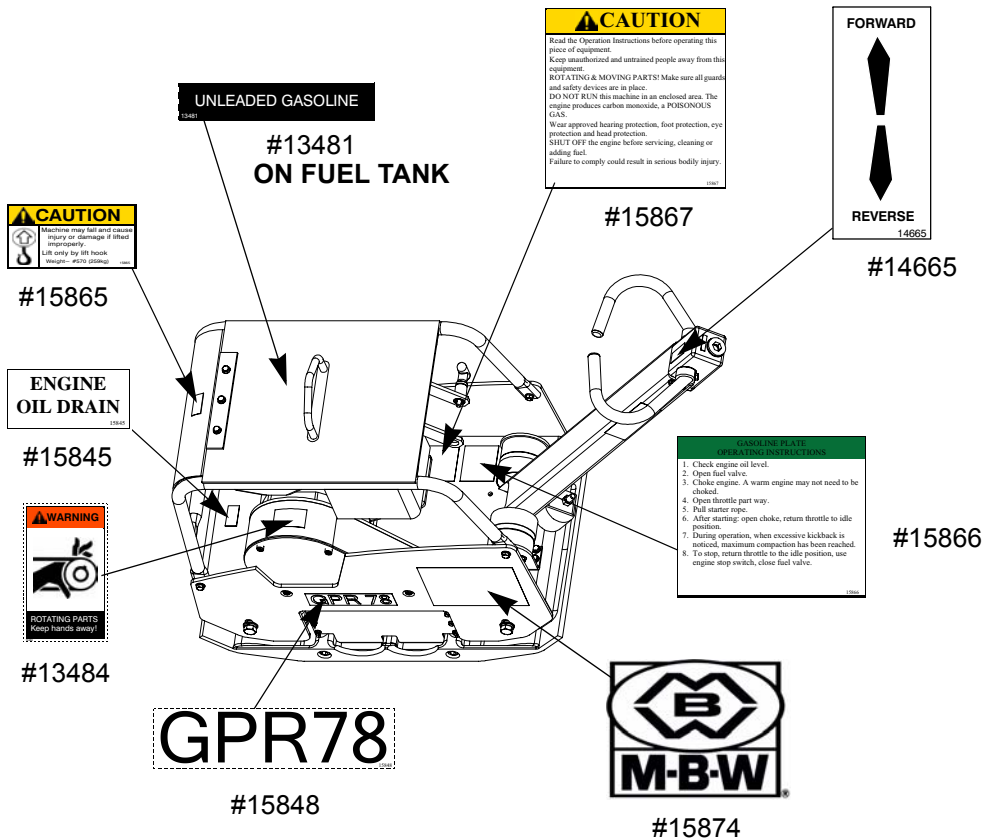
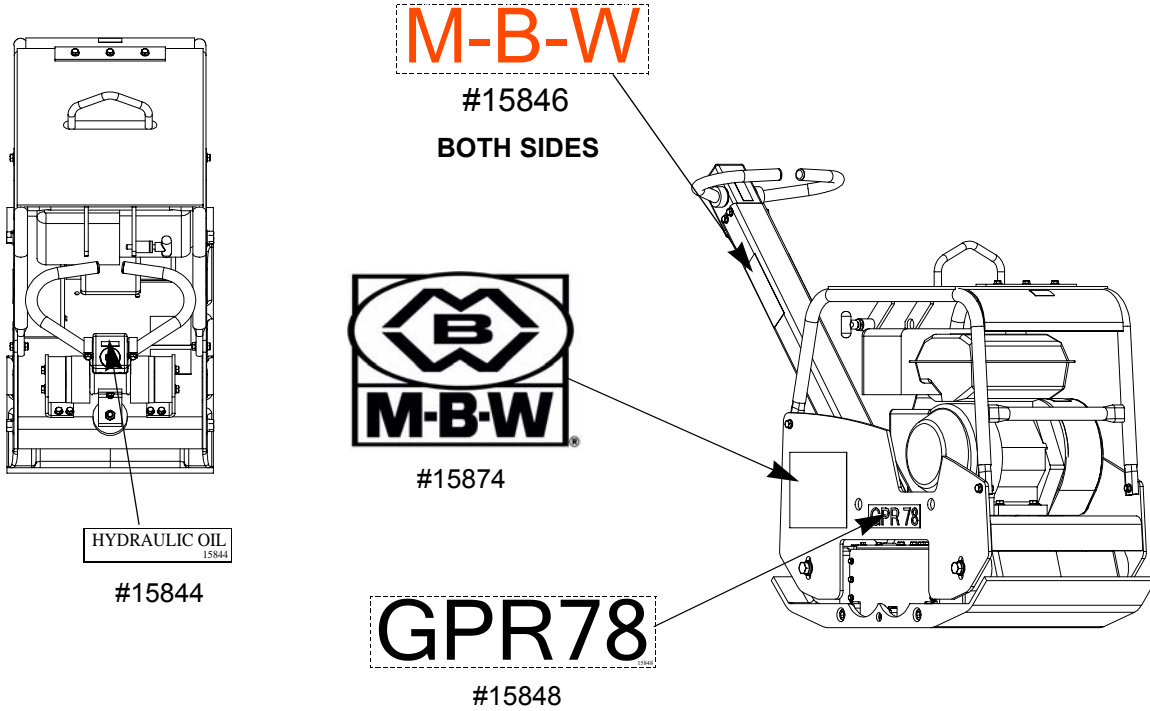
E-MAIL: mbw@mbw.com
WEB SITE: www.mbw.com

MBW (UK) LIMITED
Units 2 & 3 Cochrane Street
Bolton BL3 6BN, England
Phone: 01204 387784
Fax: 01204 387797

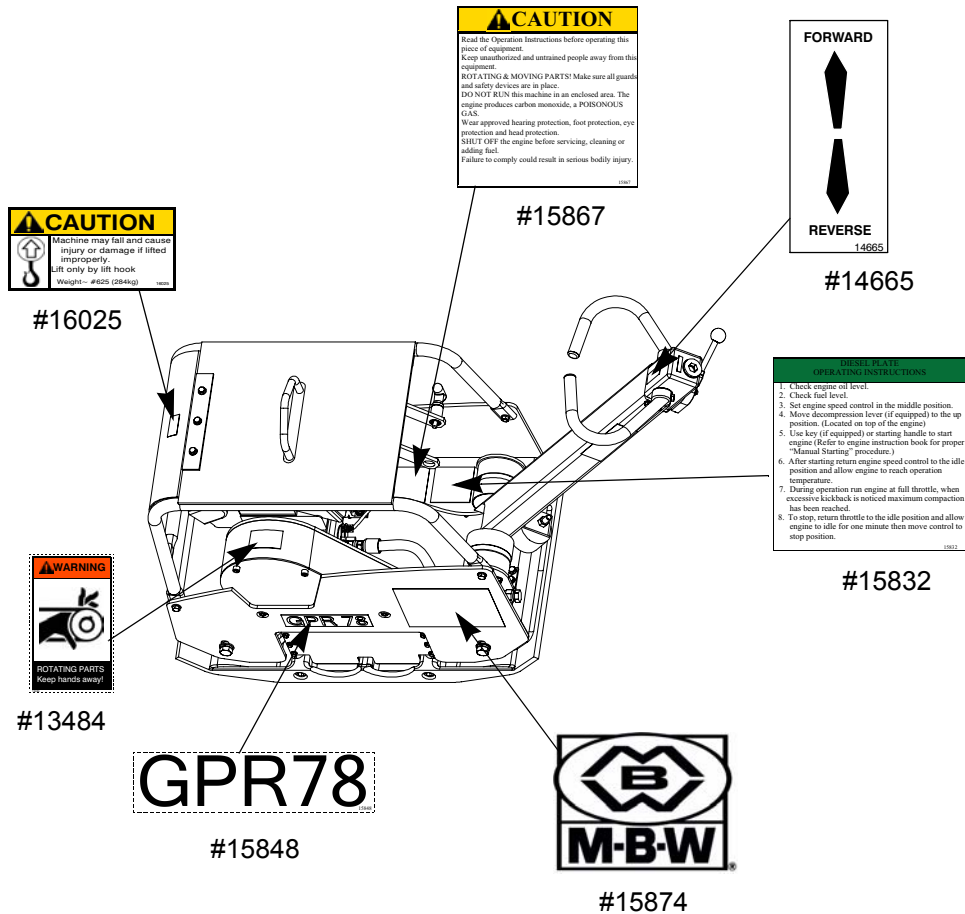
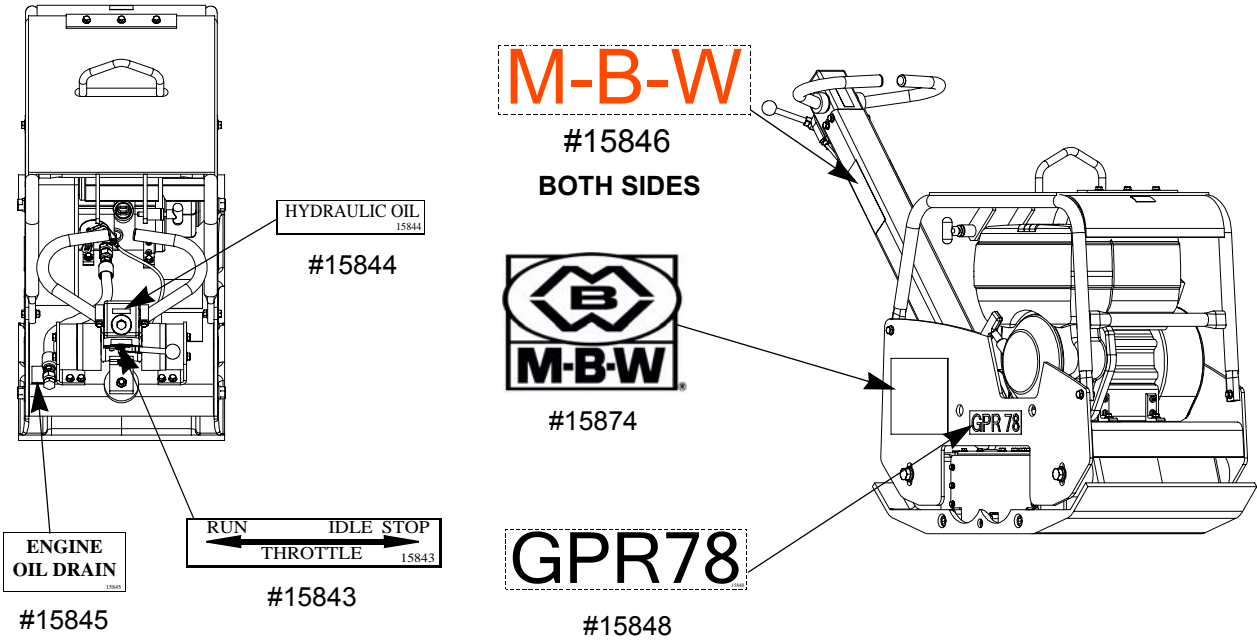


L16677/10.06 G
MBW Inc. 2004
Printed in U.S.A

DECAL LOCATIONS GPR78H



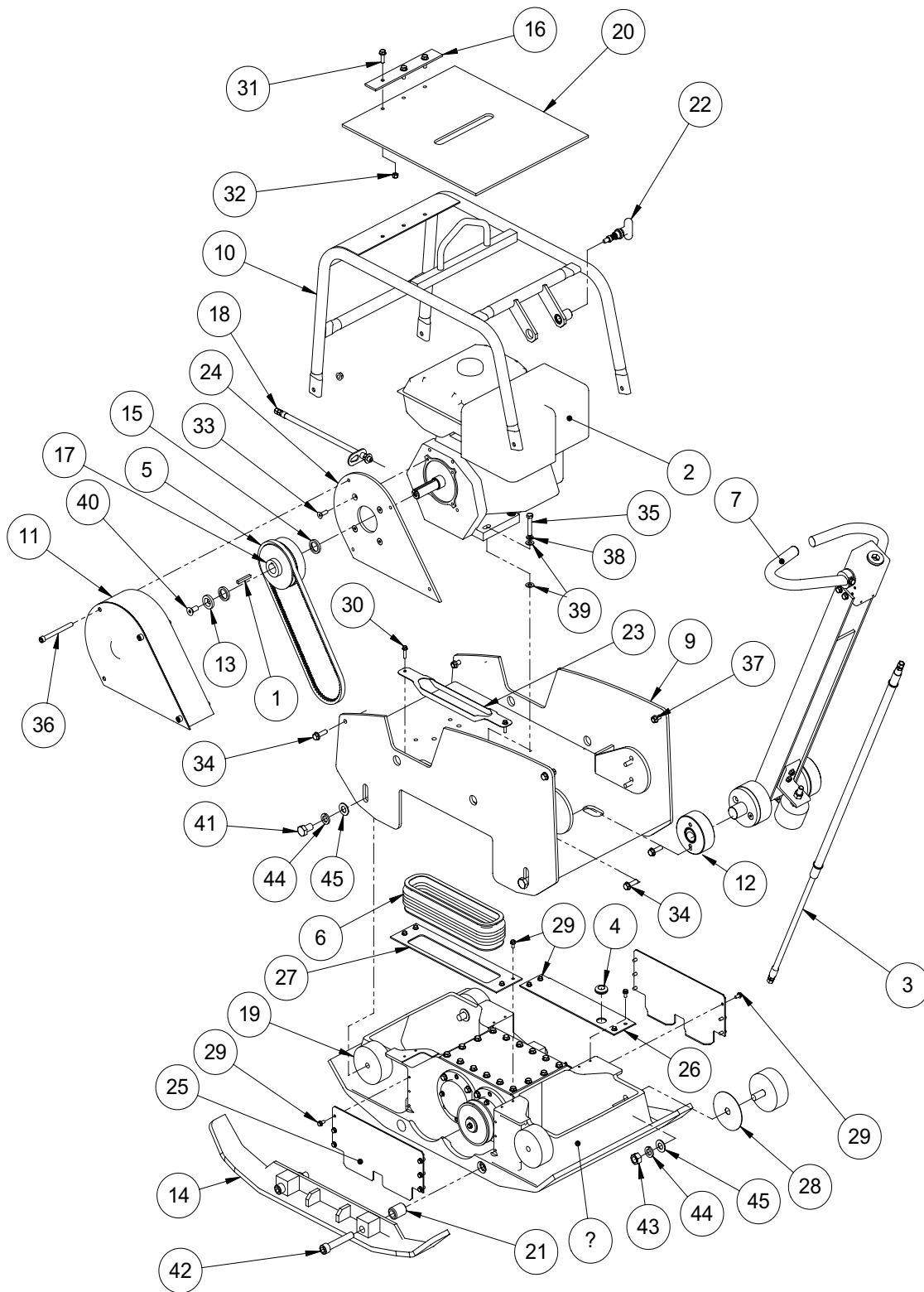
DECAL LOCATIONS GPR78D



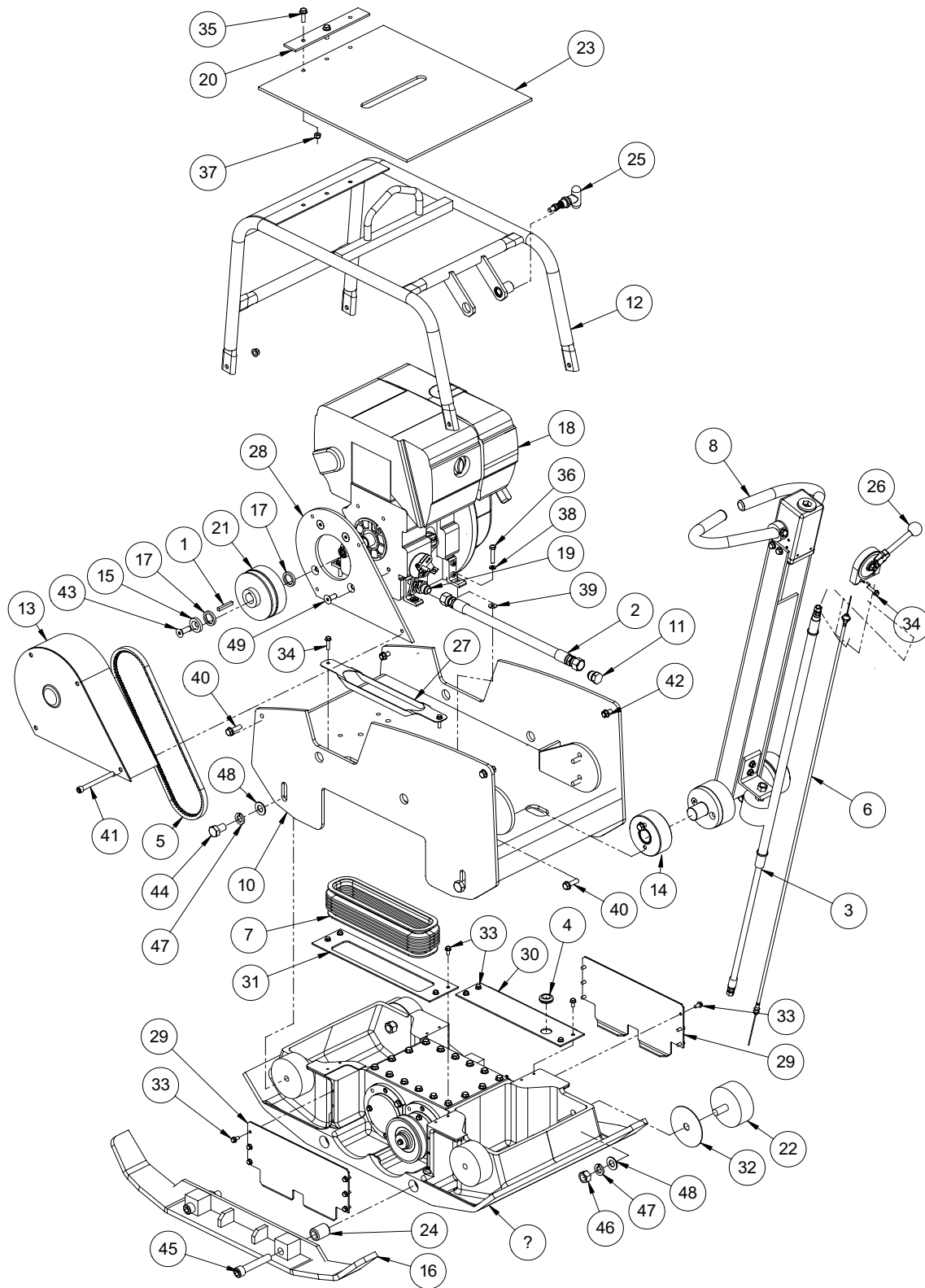
SPECIFICATIONS

Specifications	GPR78H	GPR78D
Machine Data:		
Operating Weight (With Extension Plates)	580 lb (263 kg)	625 lb (284 kg)
Drive System	Mechanical w/V-belt	Mechanical w/V-belt
Starter System	Recoil	Recoil
Fuel Capacity	1.6 gal (6 liters)	1.32 gal (5 liters)
Base Plate Width	17.7 in (450 mm)	17.7 in (450 mm)
Base Plate Length (Overall)	32.3 in (820 mm)	32.3 (820 mm)
Extensions	2 x 3 in (2 x 75 mm)	2 x 3 in (2 x 75 mm)
Extension Plate Set Weight (With Hardware)	40 lb (18 kg)	40 lb (18 kg)
Performance:		
Centrifugal Force	7875 lbf (35 kN/blow)	7875 lbf (35 kN/blow)
Exciter Speed	4080 vpm	4080 vpm
Travel Speed	82 ft/min (25m/min)	82 ft/min (25 m/min)
Engine Data:		
Engine Speed	3600 rpm	3600 rpm
Make	Honda	Hatz
Model	GX240	1B30
Fuel	Gas	Diesel
Power	8.0 HP	6.8 HP

Data in parenthesis () are Metric Measurements
Specifications are subject to change without notice.



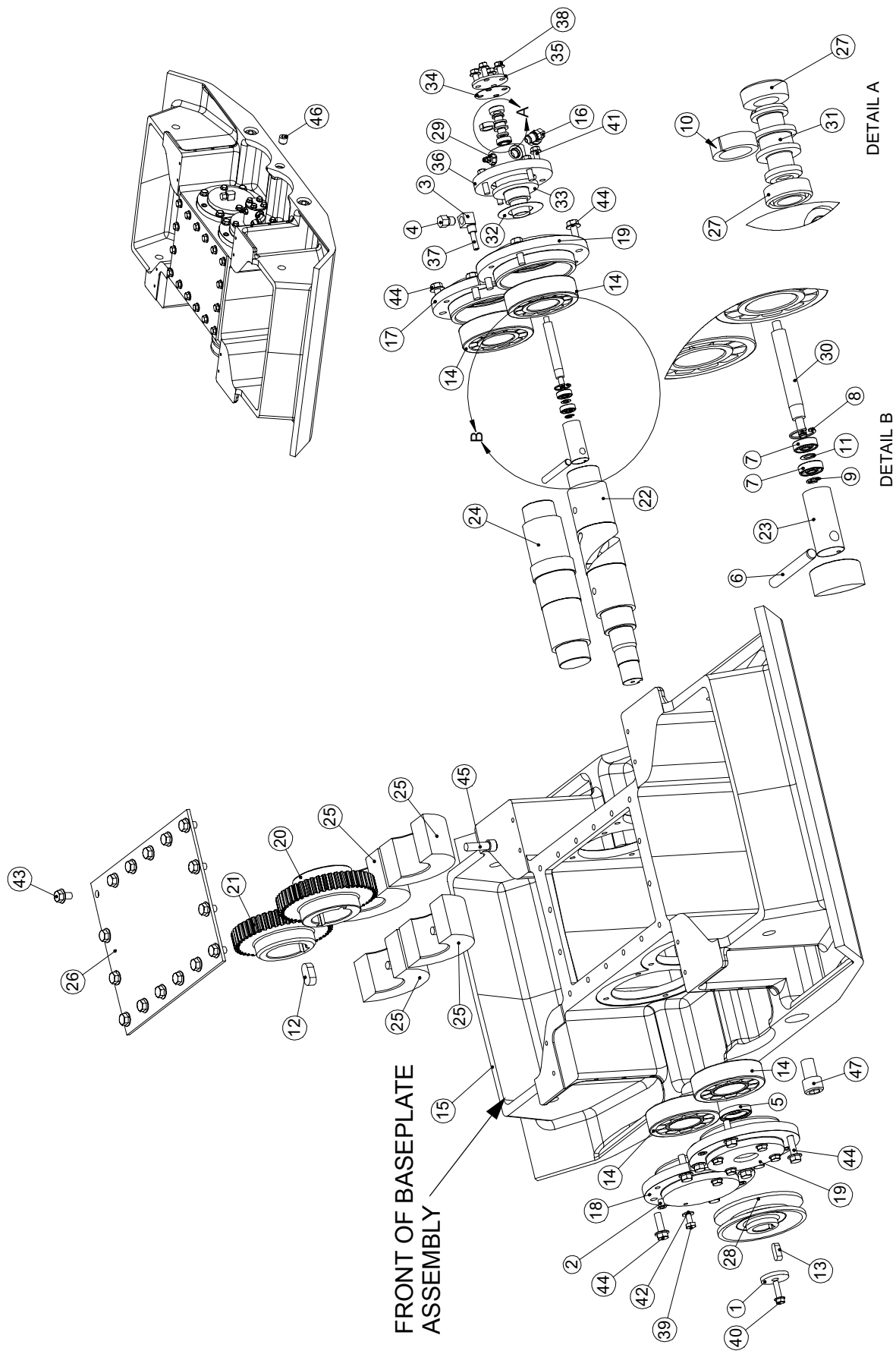
MAIN ASSEMBLY GPR78H (GASOLINE)



MAIN ASSEMBLY GPR78D (DIESEL)

MAIN ASSEMBLY GPR78D (DIESEL)

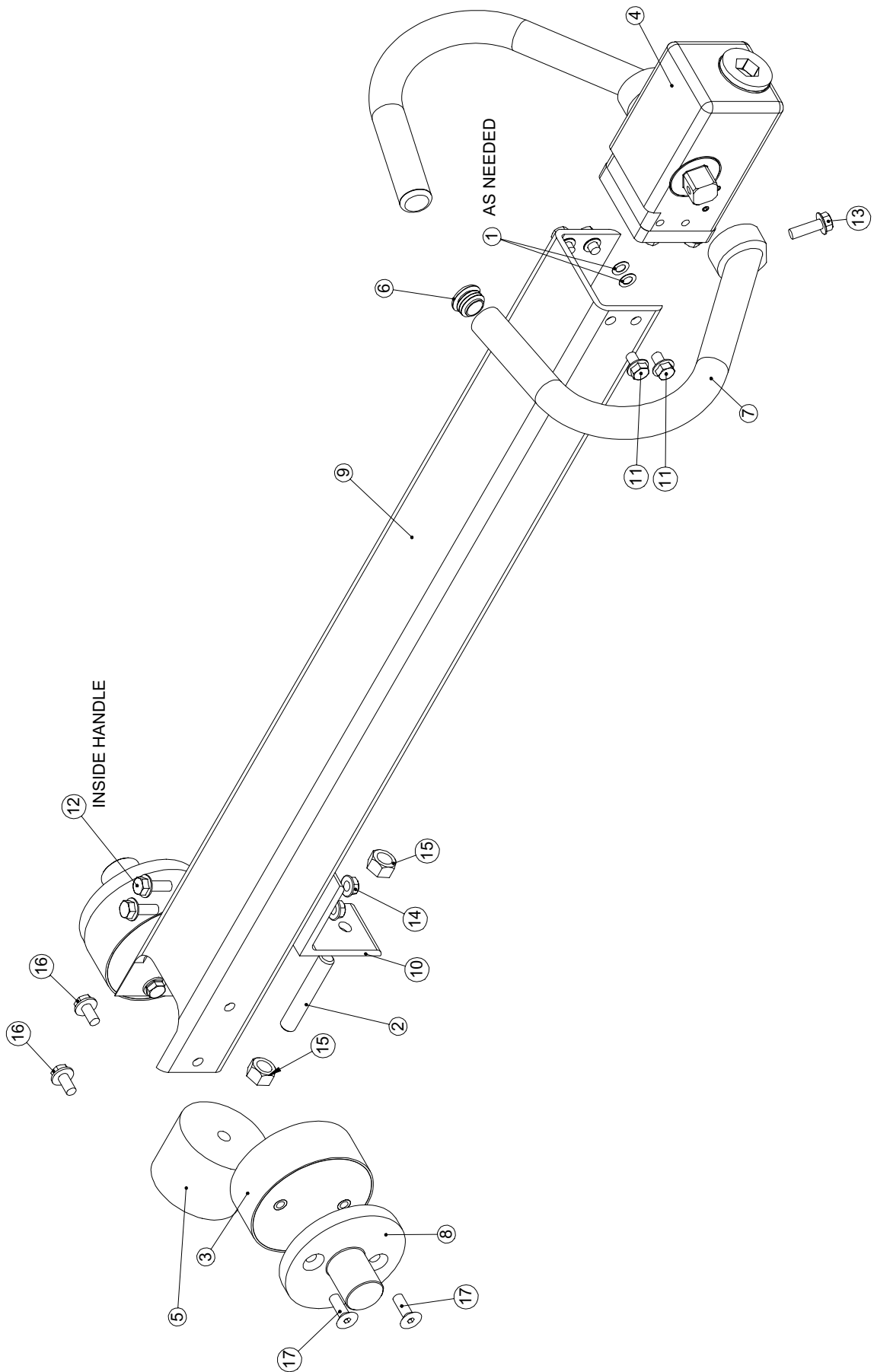
ITEM #	PART #	DESCRIPTION	QTY
1.	00808	KEY,1/4 SQ X 1-3/4	1
2.	09596	HOSE, HYDRAULIC 1/2 x 17.50	1
3.	09900	HOSE, HYDRAULIC 1/4 X 47.00	1
4.	10088	GROMMET,11/16 ID	1
5.	16250	V-BELT	1
6.	16434	ASSY, CABLE, THROTTLE	1
7.	16442	BELLOWS	1
8.	16461	HANDLE	1
9.	16496	BASEPLATE, GPR78	1
10.	16511	DECK, ENGINE, GPR78	1
11.	16523	FITTING, PLUG, HYDRAULIC	1
12.	16525	ROLLCAGE, COMPLETE, GPR78	1
13.	16528	BELT GUARD	1
14.	16543	MOUNT, HANDLE	2
15.	16544	WASHER, COUNTERSUNK	1
16.	16552	PLATE, EXT. GPR78 (3in.)	2
17.	16559	SPACER, 1.375 X 1.0 X .219	2
18.	16563	ENGINE, HATZ DIESEL 1B30	1
19.	16578	FITTING, ADAPTER, HYDRAULIC	1
20.	16654	PLATE, MOUNT	1
21.	16879	CLUTCH	1
22.	16991	SHOCKMOUNT	4
23.	17021	MAT, RUBBER, 16 X 19 X .25	1
24.	17225	BUSHING, WING MOUNT	4
25.	17340	POP-PIN	1
26.	17403	LEVER, THROTTLE, 1.0" THROW	1
27.	17462	RETAINER, BELLOWS	1
28.	17466	MOUNT, BELTGUARD, 78D	1
29.	17506	GUARD, SIDE, HYDRAULIC	2
30.	17507	GUARD, TOP, HYDRAULIC	1
31.	17508	MOUNT, BELLOWS	1
32.	17997	SHIM, SHOCKMOUNT, GRP99/135	2
33.	F042004FWS	FWLS, 1/4-20 X 1/2 ZP	20
34.	F042008FWS	FWLS, 1/4-20 X 1 ZP	4
35.	F051808FWS	FWLS, 5/16-18 X 1ZP	3
36.	F051812HCS	HHCS, 5/16-18 X 1-1/2 GR5 ZP	4
37.	F0518ELN	LOCKNUT, 5/16-18 NYLOC ZP	3
38.	F05LW	LOCKWASHER, 5/16 ZP	4
39.	F05SW	WASHER, 5/16 X 3/4 X 15GA ZP	4
40.	F061610FWS	FWLS, 3/8-16 X 1-1/4 ZP	8
41.	F061632SCS	SCS, 3/8-16 X 4"	4
42.	F0616FN	FLANGE WHIZ-LOCK NUT, 3/8-16	4
43.	F072010FSS	FSS, 7/16-20 X 1-1/4"	1
44.	F101108HCS	HHCS, 5/8-11 X 1 GR5 ZP	4
45.	F101128SCS	SCS, 5/8-11 X 3-1/2"	4
46.	F1011HN	NUT, HEX 5/8-11ZP	4
47.	F10LW	LOCKWASHER, 5/8 ZP	8
48.	F10PW	WASHER, 5/8 X 1-1/4 X 12GA ZP	8
49.	M10C025FSS	FSS, M10 X 25mm	4
50.			
51.			
52.			
	17346	KIT, EXT, PLATES, GPR78 (2X3")(2X70mm) (CONTAINS ITEMS 21, 29 AND 47)	



BASEPLATE ASSEMBLY GPR78

BASEPLATE ASSEMBLY GPR78

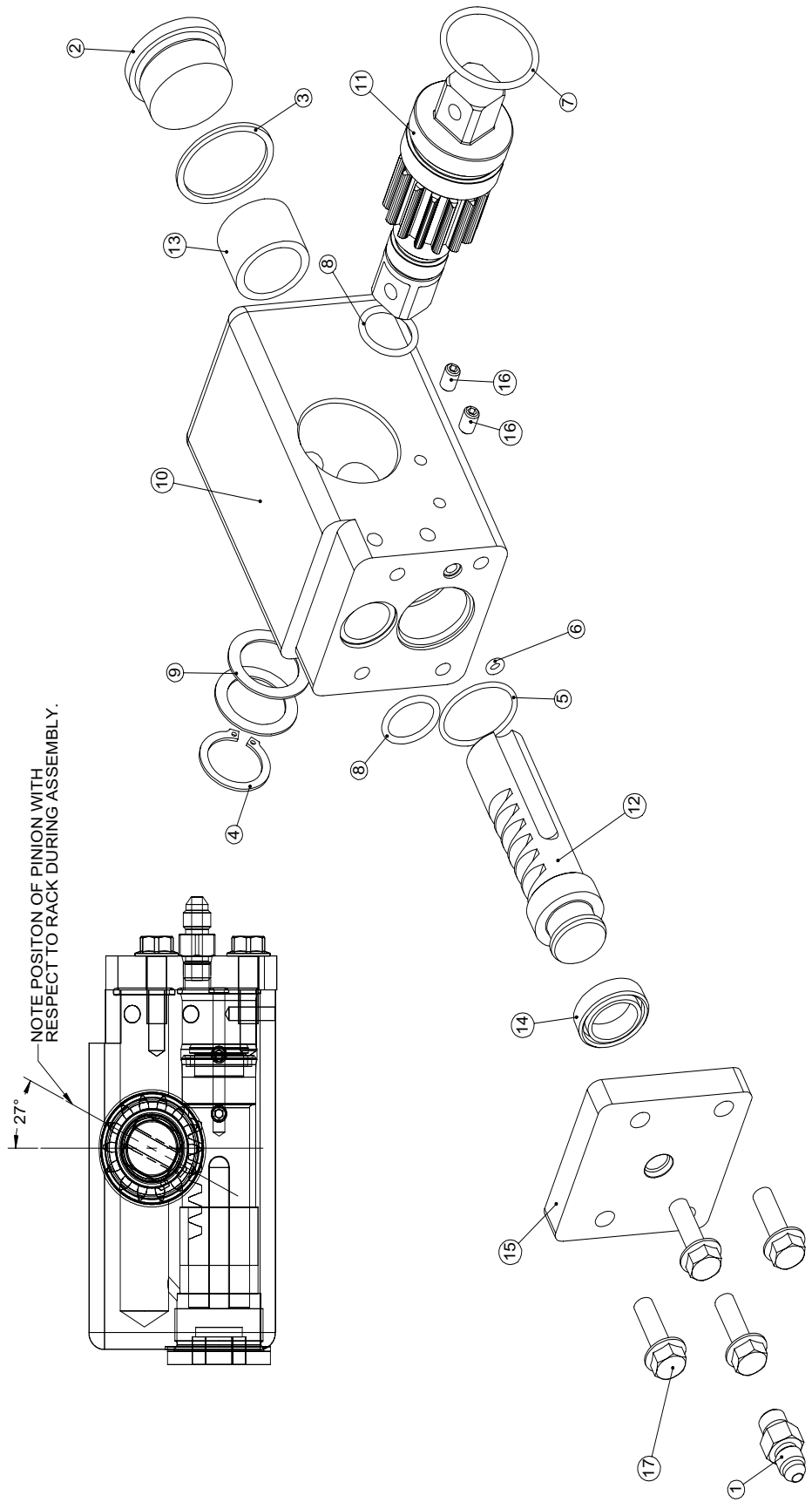
ITEM #	PART #	DESCRIPTION	QTY
1.	01099	WASHER	1
2.	05559	PLUG	8
3.	09748	FITTING, PIPE 90 deg ST x 1/8	1
4.	09749	PLUG, BREATHER	1
5.	16382	SEAL, SHAFT	1
6.	16386	PIN, DOWEL A8m6X65	1
7.	16387	BEARING, BALL - 626	2
8.	16388	RET, RING, INTERNAL, METRIC	1
9.	16389	RET, RING, E, METRIC	1
10.	16390	GUIDERING, SEAL	1
11.	16391	WASHER, MET 6.5 X 12 X .5	1
12.	16392	KEY, MET 14 X 9 X 28 RD ENDS	1
13.	16393	KEY, MET 8 X 7 X 22 RD ENDS	1
14.	16395	BEARING, ROLLER 90X40	4
15.	16444	MACHINED, BASEPLATE GPR78	1
16.	16446	FITTING, 90 PARKER	1
17.	16448	COVER	1
18.	16453	COVER	1
19.	16459	COVER	2
20.	16497	GEAR, INPUT	1
21.	16498	GEAR, IDLER	1
22.	16499	SHAFT, EXCITER INPUT	1
23.	16500	CARRIER, HELIX PIN	1
24.	16502	SHAFT, EXCITER IDLER	1
25.	16503	WEIGHT, EXCITER, GPR78	4
26.	16505	COVER, BASEPLATE	1
27.	16545	SEAL, HYDRAULIC	2
28.	16610	PULLEY, EXCITER	1
29.	17023	BLEEDER SCREW KIT	1
30.	17228	SHAFT, SHIFT	1
31.	17229	SPOOL, SHIFT	1
32.	17234	GASKET, MOUNT	1
33.	17235	HOUSING, HYDRAULIC	1
34.	17236	GASKET, CYLINDER	1
35.	17237	COVER, CYLINDER	1
36.	17238	PLATE, MOUNT, CYLINDER	1
37.	F0410SP	PIN, SPIROL 1/4 X 1-1/4 RD	1
38.	F042004FWS	FWLS, 1/4-20 X 1/2 ZP	4
39.	F042004HCS	HHCS, 1/4-20 x 1/2 GR5 ZP	8
40.	M06C016FWS	FWLS, M6 X 1.00 X 16MM (S/N 3030249 AND BELOW)	1
	F042007FWS	FWLS, 1/4-20 X 7/8 (S/N 7800001 AND ABOVE)	1
41.	F042008FWS	FWLS, 1/4-20 X 1 ZP	4
42.	F04SW	WASHER,TYPE A 1/4x9/16x.054	8
43.	F051804FWS	FWLS,5/16-18 x 1/2 ZP	16
44.	F051808FWS	FWLS,5/16-18x1 ZP	16
45.	M10C030SCS	SHCS,M10 X 1.5 THREAD X 30MM (S/N 7800034 AND BELOW)	4
	F061610SCS	SHCS,3/8-16 X 1-1/4 (S/N 7800035 AND ABOVE)	4
46.	F0618SPP	PLUG, PIPE 3/8-18(SEE DWG)	1
47.	F101108SCS	SHCS, 5/8-11 X 1 GR8 ZP	4
	17347	LOWER HYDRAULIC KIT (CONTAINS ITEMS #10,#27,#31,#32 & #34)	
	16496	BASEPLATE, GPR78 (CONTAINS ALL ABOVE ITEMS)	



HANDLE ASSEMBLY GPR78

HANDLE ASSEMBLY GPR78

ITEM #	PART #	DESCRIPTION	QTY
1.	16239	WASHER, SHIM (AS NEEDED)	8
2.	16410	THREADED ROD, 1/2-13 X 3.000	1
3.	16460	SHOCKMOUNT	2
4.	16465	CONTROL HEAD (COMPLETE)	1
5.	16493	SHOCKMOUNT, BUMPER, HANDLE	1
6.	17058	CAP, TUBE	2
7.	17377	HANDLE, CONTROL	2
8.	17402	MOUNT, SPINDLE	2
9.	17409	TUBE, HANDLE	1
10.	17410	PLATE, MOUNT	1
11.	F051804FWS	FWLS,5/16-18 x 1/2 ZP	4
12.	F051807FWS	FWLS,5/16-18 x 7/8 ZP	2
13.	M08C025FWS	FWLS,8MM X 1.25 X 25MM ZP (S/N 3030249 AND BELOW)	2
	F051808FWS	FWLS,5/16-18 X 1.00 (S/N 7800001 AND ABOVE)	2
14.	F0518FN	NUT, FLANGE WHIZ-LOCK 5/16-18ZP	2
15.	F0813HN	NUT,HEX 1/2-13 ZP	2
16.	M08C016FWS	FWS, M8 X 16	4
17.	M08C025FSS	FSS, M8 X 1.25 X 25 ZP	4
	16461	HANDLE, COMPLETE (CONTAINS ALL ABOVE ITEMS)	



CONTROL HEAD GPR78

CONTROL HEAD GPR78

ITEM #	PART #	DESCRIPTION	QTY
1.	08355	FITTING, ST PARKER 4F50X	1
2.	16358	PIPE PLUG, METRIC, SPECIAL	1
3.	16359	WASHER, METRIC, SPECIAL	1
4.	16394	RET, RING, EXTERNAL, METRIC	1
5.	16404	O'RING, METRIC 30 ID X 2	1
6.	16405	O'RING, METRIC 4 ID X 2	1
7.	16406	O'RING, METRIC 36.5 ID X 2.65	1
8.	16407	O'RING, METRIC 20 ID X 2.65	2
9.	16408	WASHER, MET 25 X 35 X 1	2
10.	16458	HSG, CONTROL HEAD	1
11.	17501	GEAR, PINION	1
12.	16467	GEAR, RACK	1
13.	16468	BUSHING, SLIDE	1
14.	16519	SEAL, HYDRAULIC	1
15.	17408	COVER, CONTROL HEAD	1
16.	F042003SSS	SHSS, 1/4-20 X 3/8 SER CUP PT	2
17.	F051806FWS	FWLS, 5/16-18 x 3/4 ZP	4
	16465	CONTROL HEAD (CONTAINS ALL ABOVE ITEMS)	
	17348	KIT, REBUILD, HYD, UPPER (ITEMS #5, #6, #7, #8 AND #14)	