

JX PRECISION CAST SERIES

	Pump Model	JX400SS	JX750SS	JX1500SS	JX1500HSS	JX08SS	JX15SS	JX15HSS	JX22SS	JX22HSS	JX37SS	JX37HSS	JX55CSS	JX55CHSS	JX75CSS	JX75CHSS
Pos. No.	Part Description	Item #	Item #	Item #	Item #	Item #	Item #	Item #	Item #	Item #	Item #	Item #	Item #	Item #	Item #	Item #
01	Strainer with Bottom Plate	201965	201971	201971	201971	201971	201971	201971	201974	201974	201974	201974	201977	201977	201977	201977
02	Suction Cover	-	202027	202028	202027	202027	202028	202027	202010	202012	202010	202012	202034	202033	202034	202033
03	Impeller Nut	-	-	-	-	202894	202894	202894	202894	202894	202894	202894	202895	202895	202895	202895
04	Lock washer	-	-	-	-	202907	202907	202907	202907	202907	202907	202907	202904	202904	202904	202904
05	Impeller	202056	202060	202063	202065	202066	202068	202070	202071	202073	202075	202077	202081	202080	202085	202084
06	Impeller Key	-	-	-	-	202140	202140	202140	202140	202140	202140	202140	202141	202141	202141	202141
07	Pump Housing	202994	202164	202166	202164	202164	202166	202164	202168	202168	202168	202168	202171	202171	202171	202171
07 -1	O-Ring (Kit Only)	Kit	Kit	Kit	Kit	Kit	Kit	Kit	Kit	Kit	Kit	Kit	Kit	Kit	Kit	Kit
08	Oil Chamber Cover	202208	202214	202214	202214	202214	202214	202214	202219	202219	202219	202219	202216	202216	202216	202216
08 -1	O-Ring (Kit Only)	Kit	Kit	Kit	Kit	Kit	Kit	Kit	Kit	Kit	Kit	Kit	Kit	Kit	Kit	Kit
09	Lip Seal FKM	202230	202232	202232	202232	202232	202232	202232	202235	202235	202235	202235	203058	203058	203058	203058
09	Lip Seal Buna-N (Optional)	202229	203051	203051	203051	203051	203051	203051	202234	202234	202234	202234	203055	203055	203055	203055
09	Lip Seal EPDM (Optional)	203050	-	-	-	-	-	-	-	-	-	-	203056	203056	203056	203056
09A	Double Lip Seal FKM	-	-	-	-	-	-	-	-	-	-	-	202240	202240	202240	202240
09A	Double Lip Seal Buna-N (Optional)	-	-	-	-	-	-	-	-	-	-	-	202249	202249	202249	202249
09A	Double Lip Seal EPDM (Optional)	-	-	-	-	-	-	-	-	-	-	-	203060	203060	203060	203060
10	Shaft Sleeve	202258	-	-	-	-	-	-	-	-	-	-	202257	202257	202257	202257
12	Lip Seal for Lower Bearing	-	-	-	-	-	-	-	-	-	-	-	202236	202236	202236	202236
13	Mechanical Seal FKM**	202260	204240	204240	204240	204240	204240	204240	204243	204243	204243	204243	200304	200304	200304	200304
13	Mechanical Seal Buna-N	202259	200501	200501	200501	200501	200501	200501	200302	200302	200302	200302	200305	200305	200305	200305
14	Lower Ball Bearing	200493	200958	200958	200958	200958	200958	200958	200959	200959	200959	200959	200960	200960	200961	200961
14-1	Lower Ball Bearing	-	-	-	-	-	-	-	-	-	-	-	200960	200960	200961	200961
14-2	Lower Bearing Retainer Clip	-	202279	202279	202279	202279	202279	202279	202279	202279	202279	202279	202279	202279	202279	202279
15	Impeller Shim Kit (Required)	-	200481	200480	200480	200480	200480	200480	200480	200480	200480	200480	200479	200479	200479	200479
17	Rotor w/ Shaft 115/230V, 1PH	202303	203089	203093	203093	-	-	-	-	-	-	-	-	-	-	-
17	Rotor w/ Shaft, 3 PH	-	-	-	-	202308	202312	202312	202316	202316	202320	202320	202344	202344	202346	202346
18	Stator w/Casing, 115V, 1HP	200510	200513	-	-	-	-	-	-	-	-	-	-	-	-	-
18	Stator w/Casing, 230V, 1PH	200522	200571	200516	200516	-	-	-	-	-	-	-	-	-	-	-
18	Stator w/Casing, 208V, 3PH	-	-	-	-	200526	200530	200530	200534	200534	200538	200538	200667	200667	-	-
18	Stator w/Casing, 230V/460V,3PH	-	-	-	-	200548	200552	200552	200556	200556	200560	200560	200564	200564	-	-
18	Stator w/Casing, 460V, 3PH	-	-	-	-	-	-	-	-	-	-	-	-	-	200568	200568
18	Stator w/Casing, 575V, 3PH	-	-	-	-	200590	200594	200594	200598	200598	200602	200602	200607	200607	200611	200611
19	Governor Switch w/Switch Plate	202359	202360	202360	202360	-	-	-	-	-	-	-	-	-	-	-
20	Upper Ball Bearing	200957	200967	200967	200967	200967	200967	200967	200958	200958	200958	200958	200959	200959	200959	200959
20-1	O-Ring (Kit Only)	-	-	-	-	-	-	-	-	-	-	-	Kit	Kit	Kit	Kit
21A	Oil Chamber	200497	202197	202197	202197	202197	202197	202197	202198	202198	202198	202198	202179	202179	202170	202170
21A-1	O-Ring (Kit Only)	Kit	Kit	Kit	Kit	Kit	Kit	Kit	Kit	Kit	Kit	Kit	Kit	Kit	Kit	Kit
21B	Motor Cover	202365	202368	202368	202368	-	-	-	-	-	-	-	-	-	-	-
22	Cover Plate Upper	202380	-	-	-	-	-	-	-	-	-	-	-	-	-	-
23	Overload 115V, 1PH	-	202383	-	-	-	-	-	-	-	-	-	-	-	-	-
23	Overload 230V, 1PH	-	202395	202383	202383	-	-	-	-	-	-	-	-	-	-	-
23	Overload 208V, 3PH	-	-	-	-	202385	202388	202388	202390	202390	202392	202392	202394	202394	-	-
23	Overload 230V,3PH	-	-	-	-	202385	202388	202388	202390	202390	202392	202392	202394	202394	-	-

**All 1 HP and up BJM Pumps® mechanical seal elastomer material is FKM

JX PRECISION CAST SERIES

	Pump Model	JX400SS	JX750SS	JX1500SS	JX1500HSS	JX08SS	JX15SS	JX15HSS	JX22SS	JX22HSS	JX37SS	JX37HSS	JX55CSS	JX55CHSS	JX75CSS	JX75CHSS
Pos. No.	Part Description	Item #	Item #	Item #	Item #	Item #	Item #	Item #	Item #	Item #	Item #	Item #	Item #	Item #	Item #	Item #
23	Overload 460V,3PH	-	-	-	-	202387	202386	202386	202389	202389	202391	202391	202393	202393	202394	202394
23	Overload 575V, 3PH	-	-	-	-	202399	202387	202387	202386	202386	202389	202389	202391	202391	202393	202393
24	Capacitor 115V	202415	202417	-	-	202818	-	-	-	-	-	-	-	-	-	-
24	Capacitor 230V	202416	202418	202420	202420	-	-	-	-	-	-	-	-	-	-	-
26	Pump Top Cover	203121	202434	202434	202434	202436	202436	202436	202438	202438	202438	202438	202440	202440	202440	202440
26-1	O-Ring (Kit Only)	Kit	Kit	Kit	Kit	Kit	Kit	Kit	Kit	Kit	Kit	Kit	Kit	Kit	Kit	Kit
27	Power Cable w/ Gland-115V, 1PH	204261	204262	-	-	-	-	-	-	-	-	-	-	-	-	-
27	Power Cable w/ Gland-230V, 1PH, No Plug	201685	201695	201691	201691	-	-	-	-	-	-	-	-	-	-	-
27	Power Cable w/ Gland- 3PH	-	-	-	-	201702	201702	201702	203443	203443	203445	203445	203447	203447	203447	203447
27-1	O-Ring (Kit Only)	Kit	Kit	Kit	Kit	Kit	Kit	Kit	Kit	Kit	Kit	Kit	Kit	Kit	Kit	Kit
27-2	Seal Minder® Cable	-	201713	201716	201716	201713	201713	201713	201713	201713	201713	201713	201713	201713	201713	201713
27-2-1	O-Ring (Kit Only)	-	Kit	Kit	Kit	Kit	Kit	Kit	Kit	Kit	Kit	Kit	Kit	Kit	Kit	Kit
27-3	Oil Sensor Cap	-	201718	201718	201718	201718	201718	201718	201718	201718	201718	201718	201718	201718	201718	201718
31D	Seal Minder® Probe	-	202408	202408	202408	202408	202408	202408	202410	202410	202410	202410	204000	204000	204000	204000
31E	Ground Wire w/Ring Term.	203145	203145	203145	203145	203145	203145	203145	203145	203145	203145	203145	203145	203145	203145	203145
32	Power Cord Line Clip / Strain Relief	203161	203166	203166	203166	203161	203161	203161	202504	202504	202499	202499	202499	202499	202499	202499
33	Seal Minder® Cable Line Clip	-	203163	203163	203163	203163	203163	203163	203163	203163	203163	203163	203163	203163	203163	203163
34	Handle	202517	202517	202517	202517	202517	202517	202517	202517	202517	202517	202517	203171	203171	203171	203171
35	Holding Rods	202665	202682	202683	202683	202684	202685	202685	202686	202686	202687	202687	202673	202673	202674	202674
38	Discharge Nipple	202532	202532	202535	202532	202532	202535	202532	202535	202532	202535	202532	-	-	-	-
38E	Discharge Elbow	-	-	-	-	-	-	-	-	-	-	-	202561	202561	202561	202561
38E-1	Gasket Discharge Elbow FKM	-	-	-	-	-	-	-	-	-	-	-	203211	203211	203211	203211
38E-1	Gasket Discharge Elbow Buna-N (Optional)	-	-	-	-	-	-	-	-	-	-	-	203210	203210	203210	203210
38F	Discharge Flange	202563	202563	202546	202563	202563	202546	202563	202546	202544	202546	202544	202540	202539	202540	202540
38F	Discharge Connection 4" NPT-F	-	-	-	-	-	-	-	202553	-	202553	-	-	-	-	-
38F-1	O-Ring - Discharge Flange FKM	202723	202723	202724	202723	202723	202724	202723	202724	202724	202724	202724	203211	203211	203211	203211
38F-1	O-Ring - Discharge 4" NPT-F FKM	-	-	-	-	-	-	-	203328	-	203328	-	203210	203210	203210	203210
50-01	Screw	202694	203215	203215	203215	203215	203215	203215	203297	203297	203297	203297	203241	203241	203241	203241
50-02	Screw	-	203216	203216	203216	203216	203216	203216	203220	203220	203220	203220	203229	203229	203229	203229
50-07	Screw	203216	203296	203296	203296	203296	203296	203296	203296	203296	203296	203296	203229	203229	203229	203229
50-08	Screw	203215	203219	203219	203219	203219	203219	203219	203219	203219	203219	203219	203246	203246	203246	203246
50-11	Screw	203218	203218	203218	203218	203218	203218	203218	203218	203218	203218	203218	203218	203218	203218	203218
50-11-1	O-Ring (Kit Only)	Kit	Kit	Kit	Kit	Kit	Kit	Kit	Kit	Kit	Kit	Kit	Kit	Kit	Kit	Kit
50-12	Screw	203218	203218	203218	203218	203218	203218	203218	203218	203218	203218	203218	203218	203218	203218	203218
50-12-1	O-Ring (Kit Only)	Kit	Kit	Kit	Kit	Kit	Kit	Kit	Kit	Kit	Kit	Kit	Kit	Kit	Kit	Kit
50-14-2	Screw	-	203219	203219	203219	203219	203219	203219	203219	203219	203219	203219	203219	203219	203219	203219
50-19A	Screw	203215	-	-	-	-	-	-	-	-	-	-	-	-	-	-
50-19	Screw	202693	202693	202693	202693	-	-	-	-	-	-	-	-	-	-	-
50-22	Screw	202692	-	-	-	-	-	-	-	-	-	-	-	-	-	-
50-23	Screw	202693	202700	202700	202700	202700	202700	202700	202700	202700	202700	202700	202700	202700	202700	202700
50-27	Screw	202692	203295	203295	203295	203295	203295	203295	203246	203246	203246	203246	203246	203246	203246	203246
50-27-2	Screw for Seal Minder® Cable	203216	203295	203295	203295	203295	203295	203295	203295	203295	203295	203295	203216	203216	203216	203216
50-31E	Screw	202692	202692	202692	202692	202692	202692	202692	202692	202692	202692	202692	202692	202692	202692	202692
50-32	Screw	203214	203214	203214	203214	203214	203214	203214	-	-	-	-	-	-	-	-
50-33	Screw	-	203214	203214	203214	203214	203214	203214	203214	203214	203214	203214	-	-	-	-
50-34	Screw	203219	203219	203219	203219	203219	203219	203219	203296	203296	203296	203296	-	-	-	-
50-34-1	Screw for Handle w/ Cable Chain	-	-	-	-	-	-	-	-	-	-	-	203228	203228	203228	203228
50-34-2	Screw for Handle	-	-	-	-	-	-	-	-	-	-	-	203288	203288	203288	203288
50-34-3	Lock Washer	-	-	-	-	-	-	-	-	-	-	-	202902	202902	202902	202902
50-38E	Bolt - Discharge Elbow	-	-	-	-	-	-	-	-	-	-	-	203287	203287	203287	203287
50-38F	Bolt - Discharge Flange	203230	-	-	-	-	-	-	203253	203253	203253	203253	203287	203287	203287	203287
	O-Ring Kit-FKM	202626	202630	202630	202630	202647	202647	202647	202642	202642	202642	202642	202645	202645	202645	202645
	O-Ring Kit-Buna (Optional)	202625	-	-	-	-	-	-	-	-	-	-	202639	202639	202639	202639

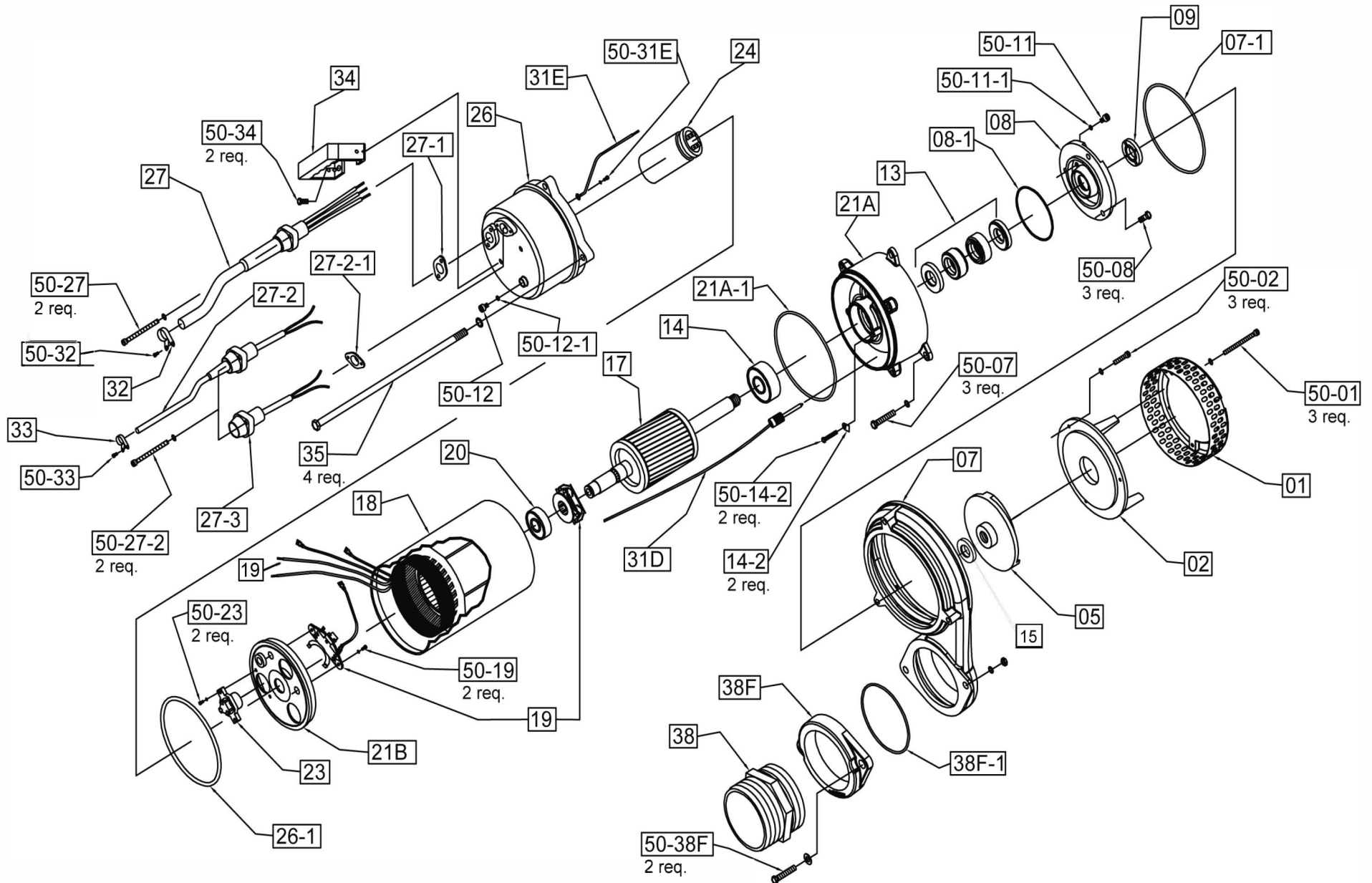
**All 1 HP and up BJM Pumps® mechanical seal elastomer material is FKM

JX150CSS-220CSS SERIES SPARE PARTS

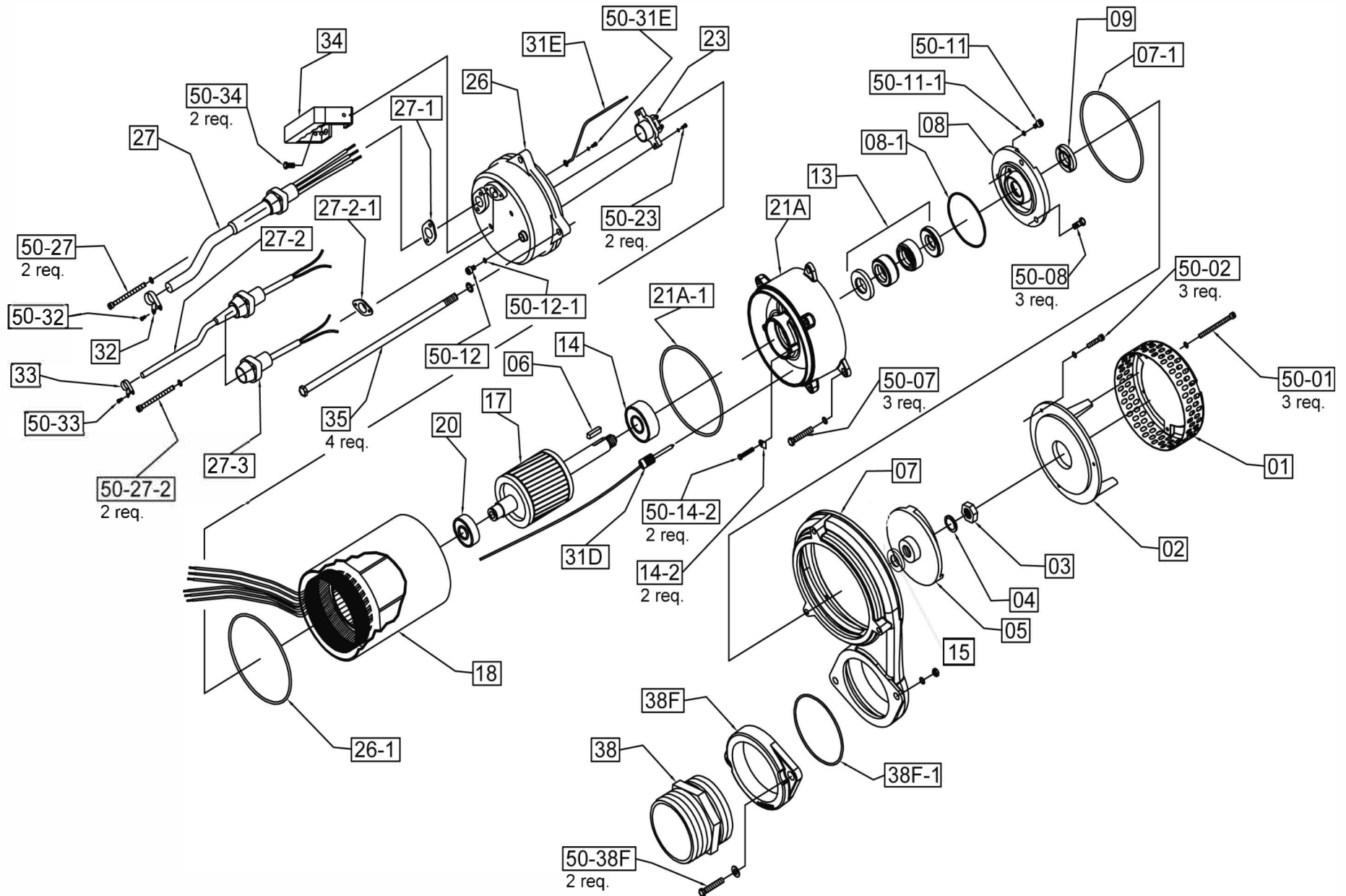
	Pump Model	JX150CSS	JX220CSS
Item No.	Part Description	Item #	Item #
01	SUCTION STRAINER	205191	205191
02	SUCTION COVER	205192	205192
03	IMPELLER NUT	202897	202897
04	LOCK WASHER	205203	205203
05	IMPELLER, CLOSED	205211	205218
06	IMPELLER KEY	202142	202142
07	PUMP HOUSING	205193	205193
08	SEAL CHAMBER COVER	205194	205194
08-1	O-RING(KIT ONLY)	KIT	KIT
09	LIP SEAL	205201	205201
09-2	LIP SEAL	205201	205201
10	SHAFT SLEEVE	205189	205189
13	MECHANICAL SEAL, FKM	200419	200419
14	LOWER BEARING (TOP)	200962	200962
14	LOWER BEARING (BOTTOM)	200495	200495
14-2	BEARING COVER	205196	205196
17	ROTOR, SHAFT ASSY, 3 PH, 2 POLE	205212	205219
18	STATOR W/ CASING, 460/3/60, 2 POLE	205213	205220
18	STATOR W/ CASING, 575/3/60, 2 POLE	205214	205221
20	UPPER BEARING	200968	200968
20-2	WASHER, WAVE	202361	202361
21A	SEAL CHAMBER HOUSING	205198	205198
21A-1	O-RING(KIT ONLY)	KIT	KIT
26	TOP COVER	205199	205199
26-1	O-RING(KIT ONLY)	KIT	KIT
27	POWER CABLE ASSY.	205225	205226
27-1	O-RING(KIT ONLY)	KIT	KIT
27-2	SENSOR CABLE ASSY.	205228	205228
27-3	O-RING(KIT ONLY)	KIT	KIT
31D	PROBE, SEAL MINDER®	204001	204001
31E	GROUND WIRE	203145	203145
32	CABLE STRAIN RELIEF	205190	205190
33	SENSOR CABLE STRAIN RELIEF	202495	202495
34	EYEBOLT, M12	205202	205202
38E	ELBOW, 6" ANSI DISCHARGE	202574	202574
38E-1	GASKET, 6"	203211	203211
38F	DISCHARGE FLANGE, 6" ANSI SLIP WELD	202549	202549
38F-1	GASKET, 6" DISCHARGE FLANGE, FKM	202664	202664
50-01	CAP SCREW, M8-1.25	202711	202711
50-01-1	FLAT WASHER M8	202903	202903
50-01-2	SPLIT WASHER M8	202902	202902
50-02	CAP SCREW, M8-1.25	203294	203294
50-02-1	SPLIT WASHER M8	202902	202902
50-08	CAP SCREW, M12-1.75	203260	203260
50-08-1	SPLIT WASHER M12	202905	202905
50-11	OIL PLUG	203268	203268
50-11-1	O-RING(KIT ONLY)	KIT	KIT
50-12	Pan Head Screw, M6-1	203218	203218
50-12-1	O-RING(KIT ONLY)	KIT	KIT
50-14	CAP SCREW, M6-1	201219	201219
50-14-1	SPLIT WASHER M6	202900	202900

**All 1 HP and up BJM Pumps® mechanical seal elastomer material is FKM

NOTE: Seal Minder (Pos#27-2, 33, 50-33) is an optional component. JX-Series pumps come with Seal Minder Cap only (Pos#27-3)

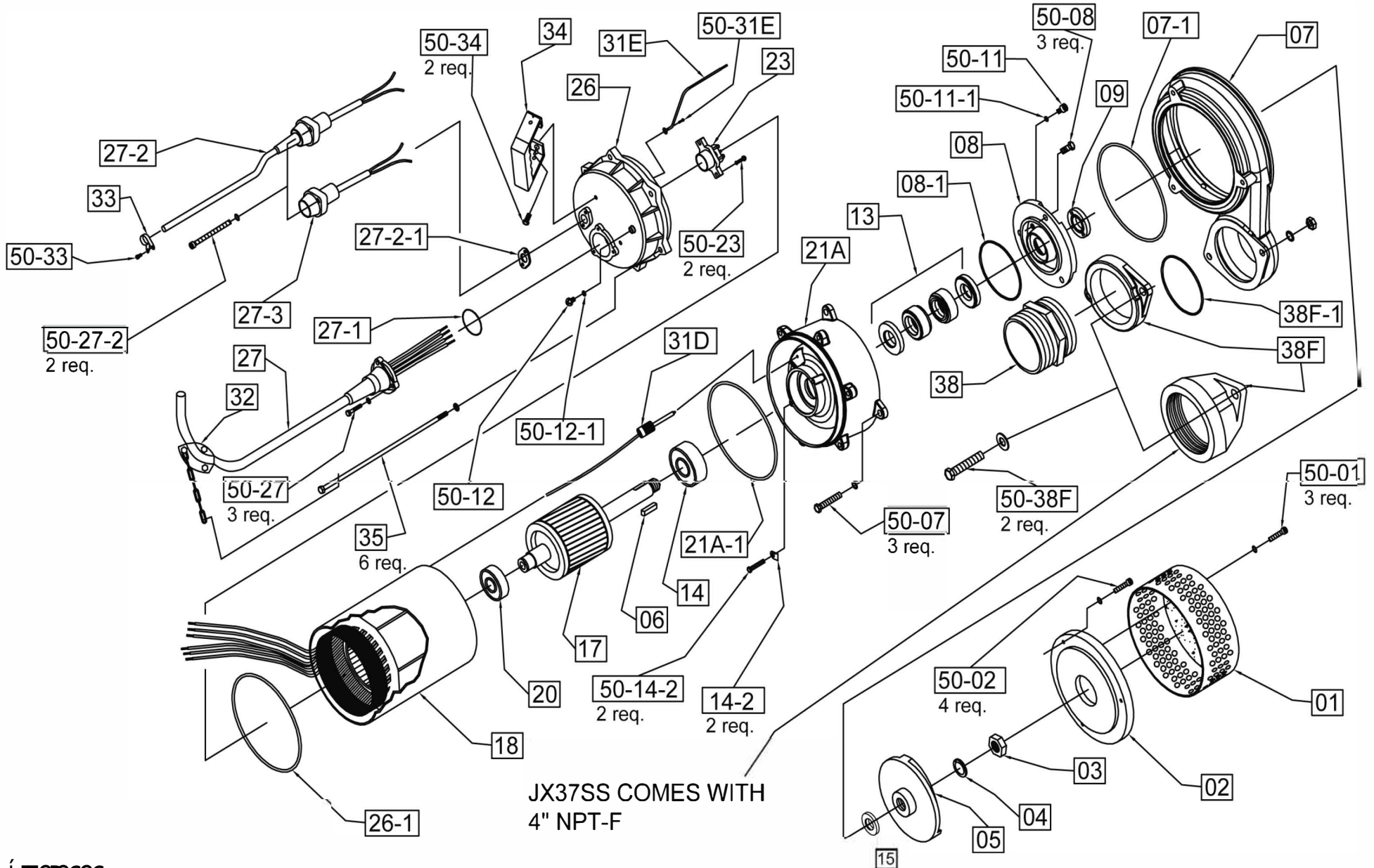


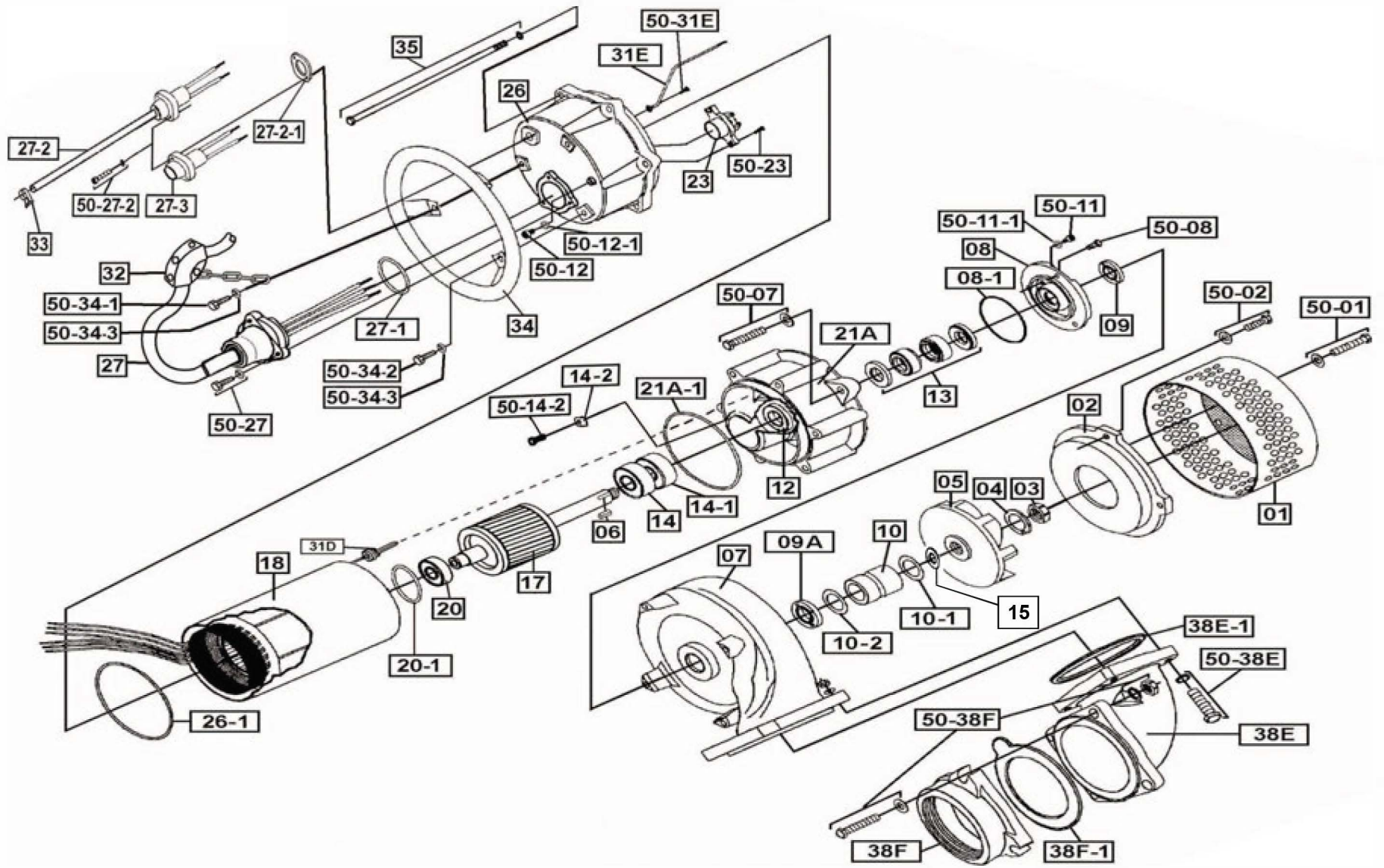
NOTE: Seal Minder (Pos#27-2, 33, 50-33) is an optional component. JX-Series pumps come with Seal Minder Cap only (Pos#27-3)



(PRECISION CAST MODELS)

NOTE: Seal Minder (Pos#27-2, 33, 50-33) is an optional component. JX-Series pumps come with Seal Minder Cap only (Pos#27-3)





**NOTE: Seal Minder (Pos# 27-2, 33, 50-33) is an optional component.
JX Series pumps come with Seal Minder cap only (Pos# 27-3)..**

