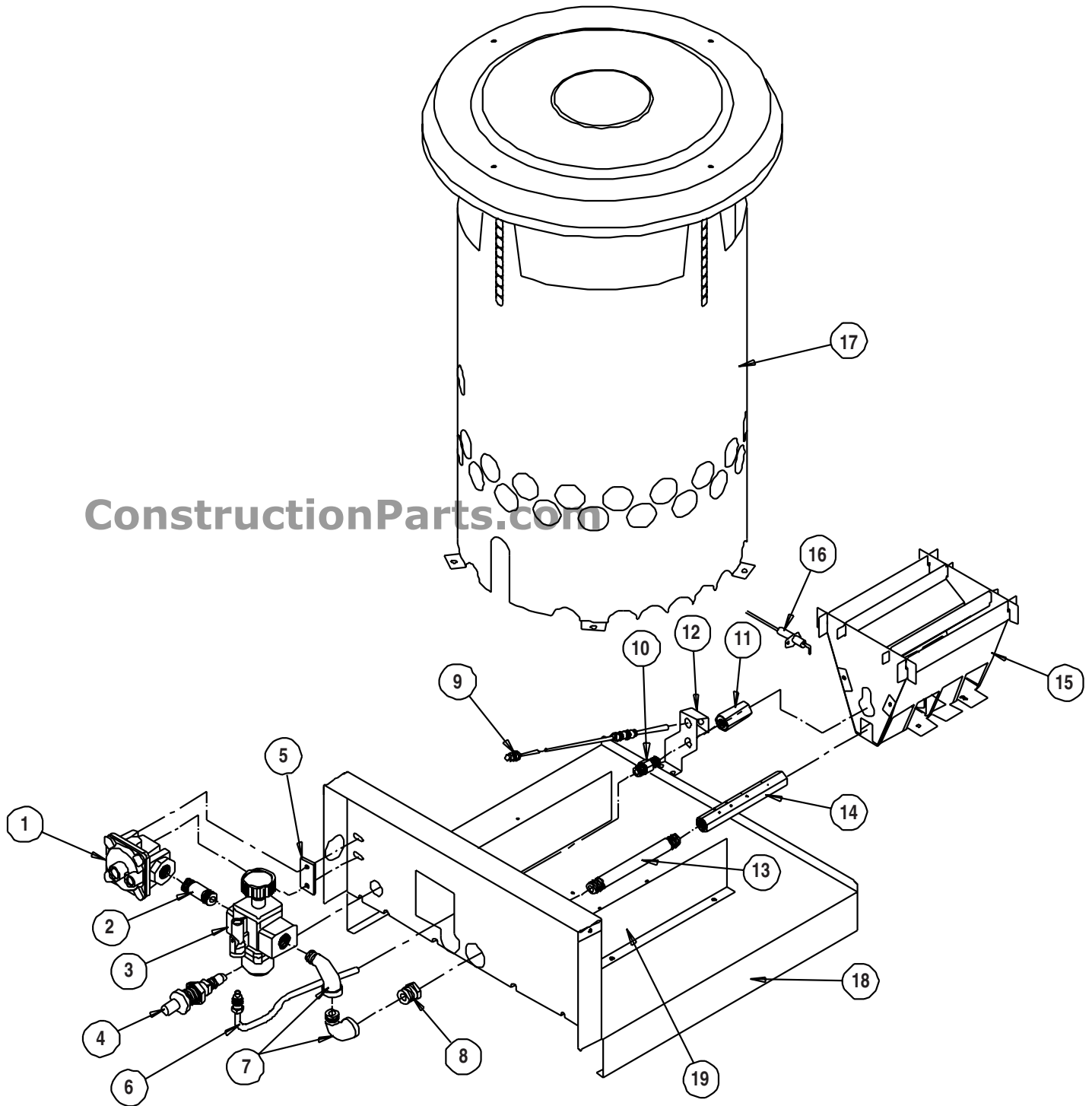


Parts Identification

Workman 100N Plus US
Model CV100B

888-634-4289

PARTS SCHEMATIC



ConstructionParts.com

888-634-4289

Parts Identification

ConstructionParts.com

888-634-4289
Workman 100N Plus US
Model CV100B

PARTS LIST

Item	Description	Part Number
1	Regulator, Natural Gas	25031
2	Nipple 3/8 in. x 1 1/2 in.	02421
3	Valve, Pilot Safety Control	22250
4	Igniter w/Nut	20280
5	Spacer	22298
6	Tube, Pilot w/Nuts and Sleeves	22330
7	Ell, 3/8 in.	01175
8	Bushing	01544
9	Thermocouple	03555
10	Orifice, Pilot	22260
11	Head, Pilot	22258
12	Bracket	22257
13	Nipple, 5 in.	80854
14	Orifice, Burner	22252
15	Burner, Assembly w/Electrode	22244
16	Electrode	20184
17.	Barrel, Case, w/ Top	22253
18	Base, Case, w/ Labels	23673
19	Shield	22297

ConstructionParts.com

ConstructionParts.com

888-634-4289