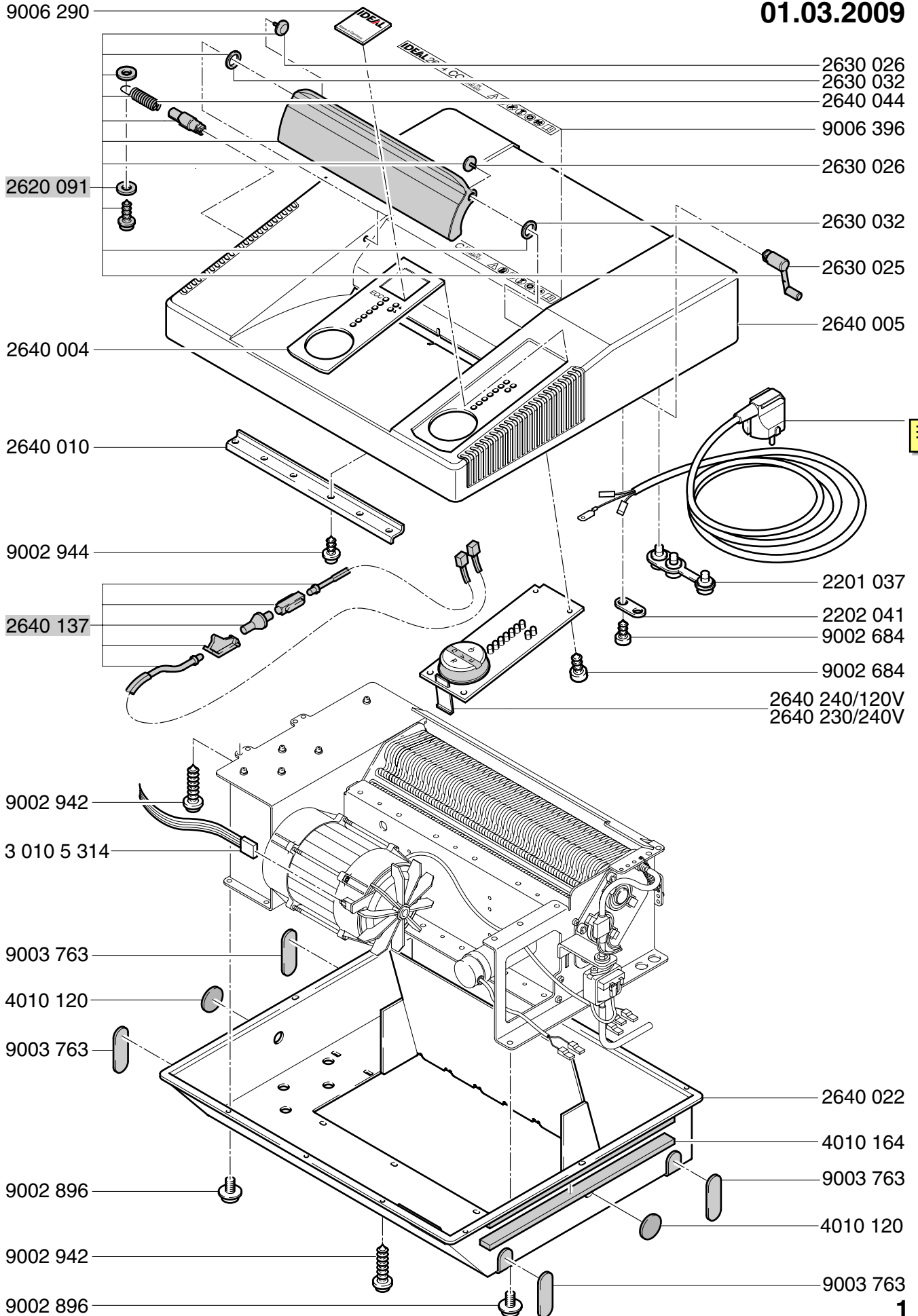


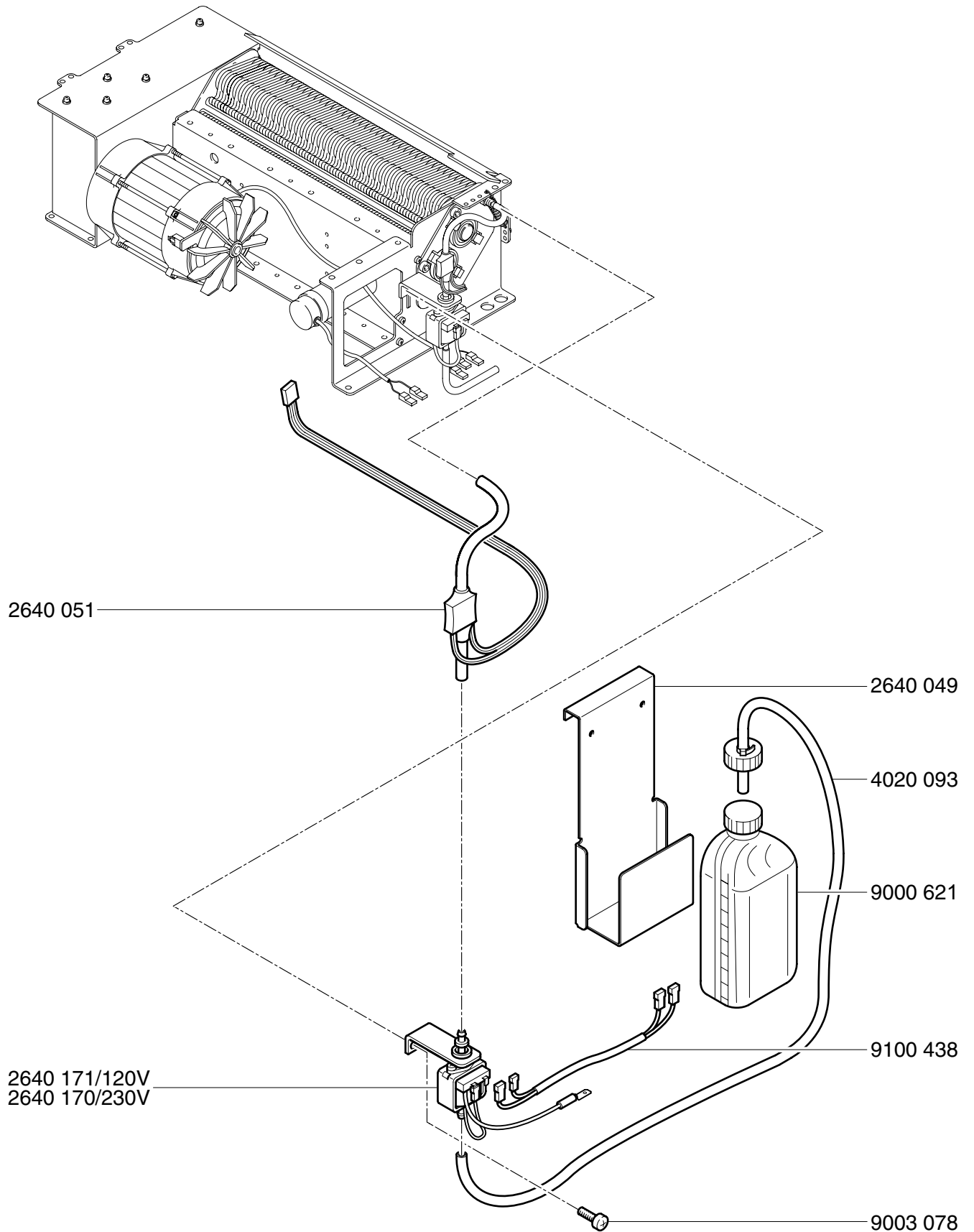
Mod.2604 Oil A

01.03.2009

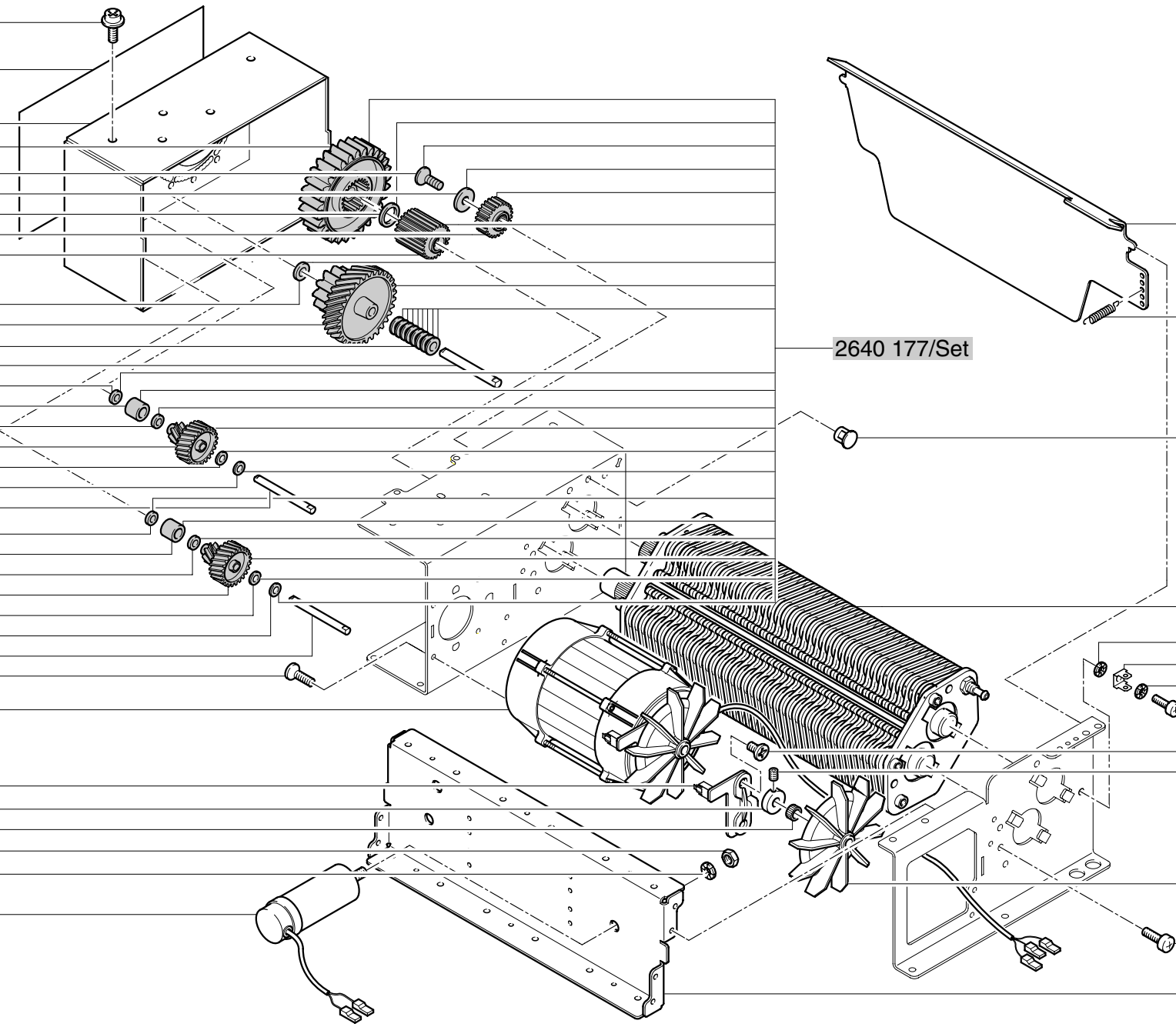


Mod.2604 Oil A

01.03.2009



- 9002 896
- 4010 084
- 4010 007
- 2640 026
- 9002 513
- 2205 513
- 9003 965
- 2640 009
- 2640 008
- 9004 550
- 4010 028
- 9004 550
- 2640 207
- 9004 549
- 4010 044
- 9004 549
- 2610 011
- 9004 549
- 9004 557
- 2640 208
- 9004 549
- 4010 044
- 9004 549
- 2610 011
- 9004 549
- 9004 557
- 2640 208
- 9005 909
- 9005 884/120V
- 9005 869/230V
- 2640 061
- 2640 014
- 9005 932
- 9001 506
- 9005 792
- 9100 442/230V
- 9100 441/120V



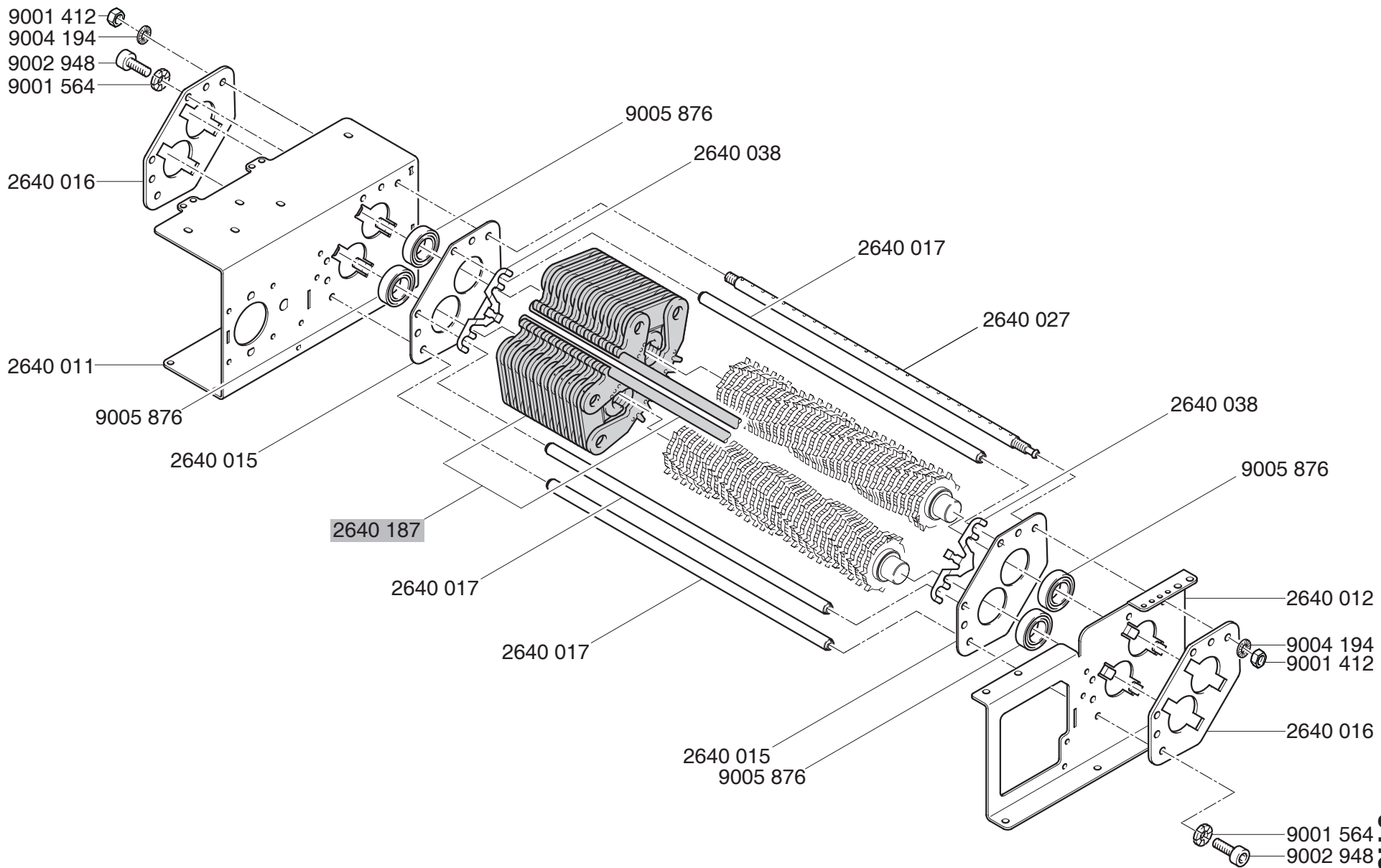
2640 177/Set

- 2640 025
- 9002 808
- 9005 920
- 2640 196
- 9001 563
- 9005 567
- 9001 563
- 9003 084
- 9002 300
- 9004 412
- 9005 933
- 9003 078
- 2640 013

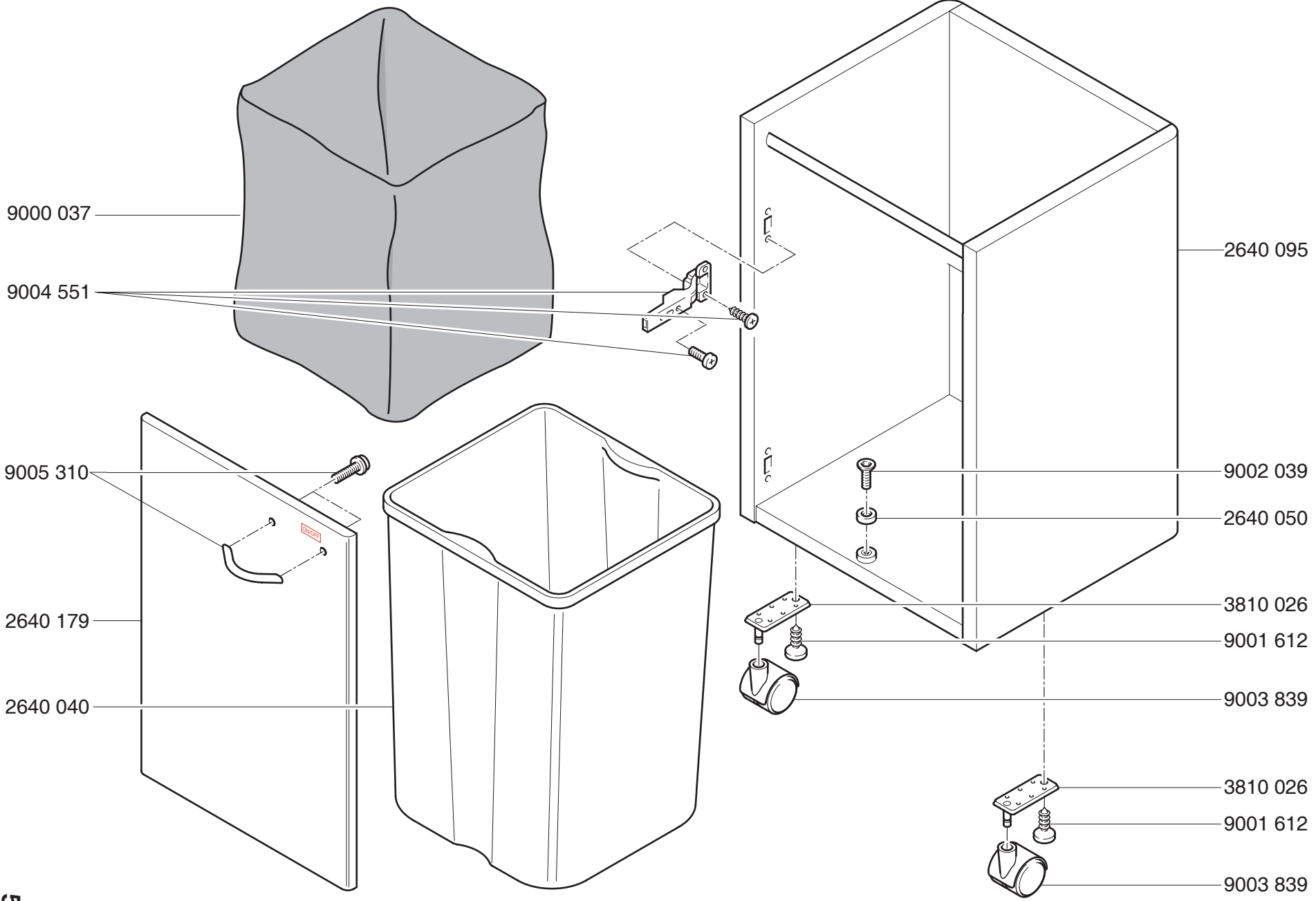
Mod. 2604 Oil A

CROSS / CUT 2x15mm

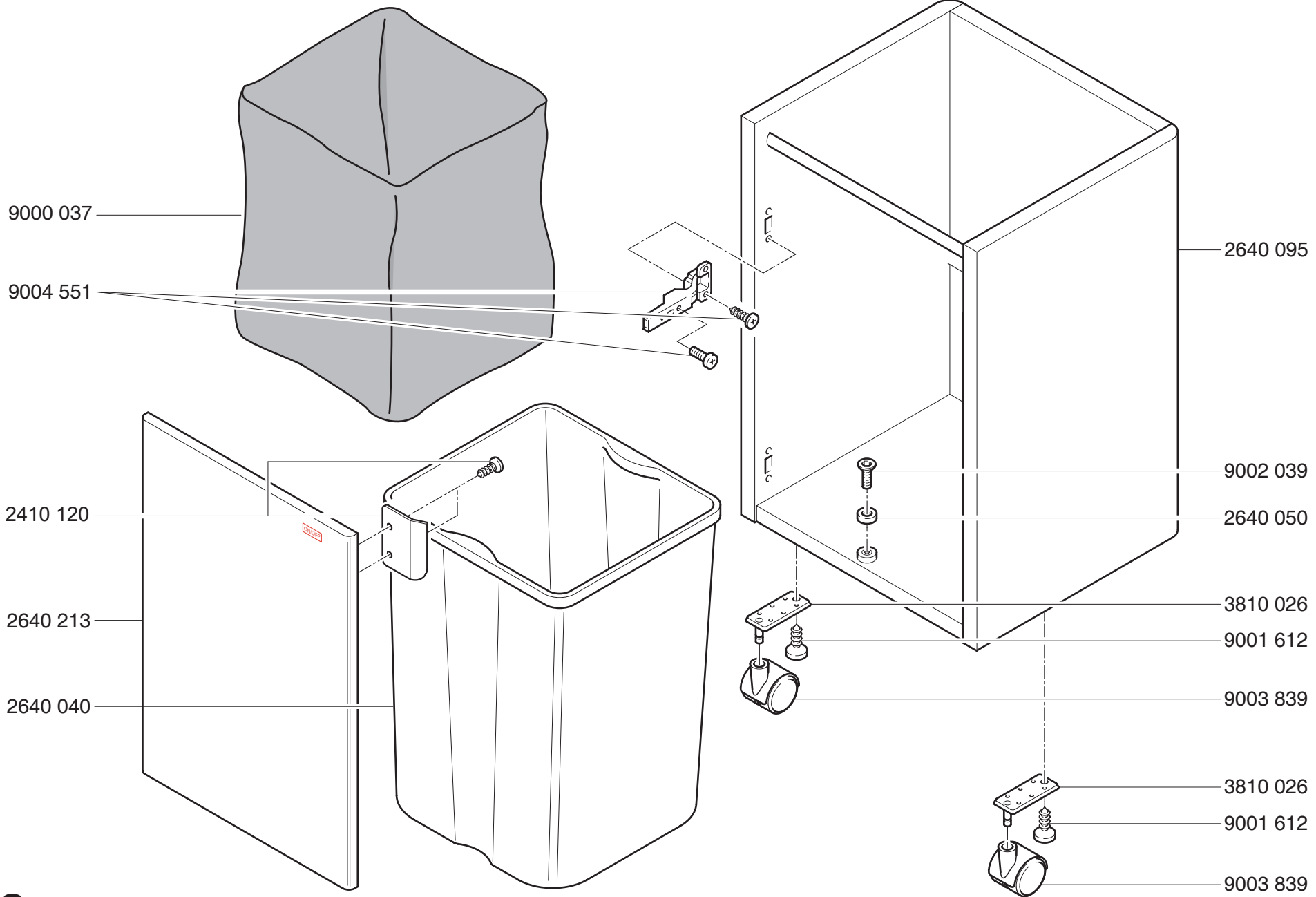
01.03.2009



Mod. 2604 Oil A
CROSS / CUT
 2x15mm
 01.03.2009



Mod. 2604 Oil A
 CROSS / CUT
 2x15mm
 01.03.2009



Mod. 2604 Oil A

CROSS / CUT

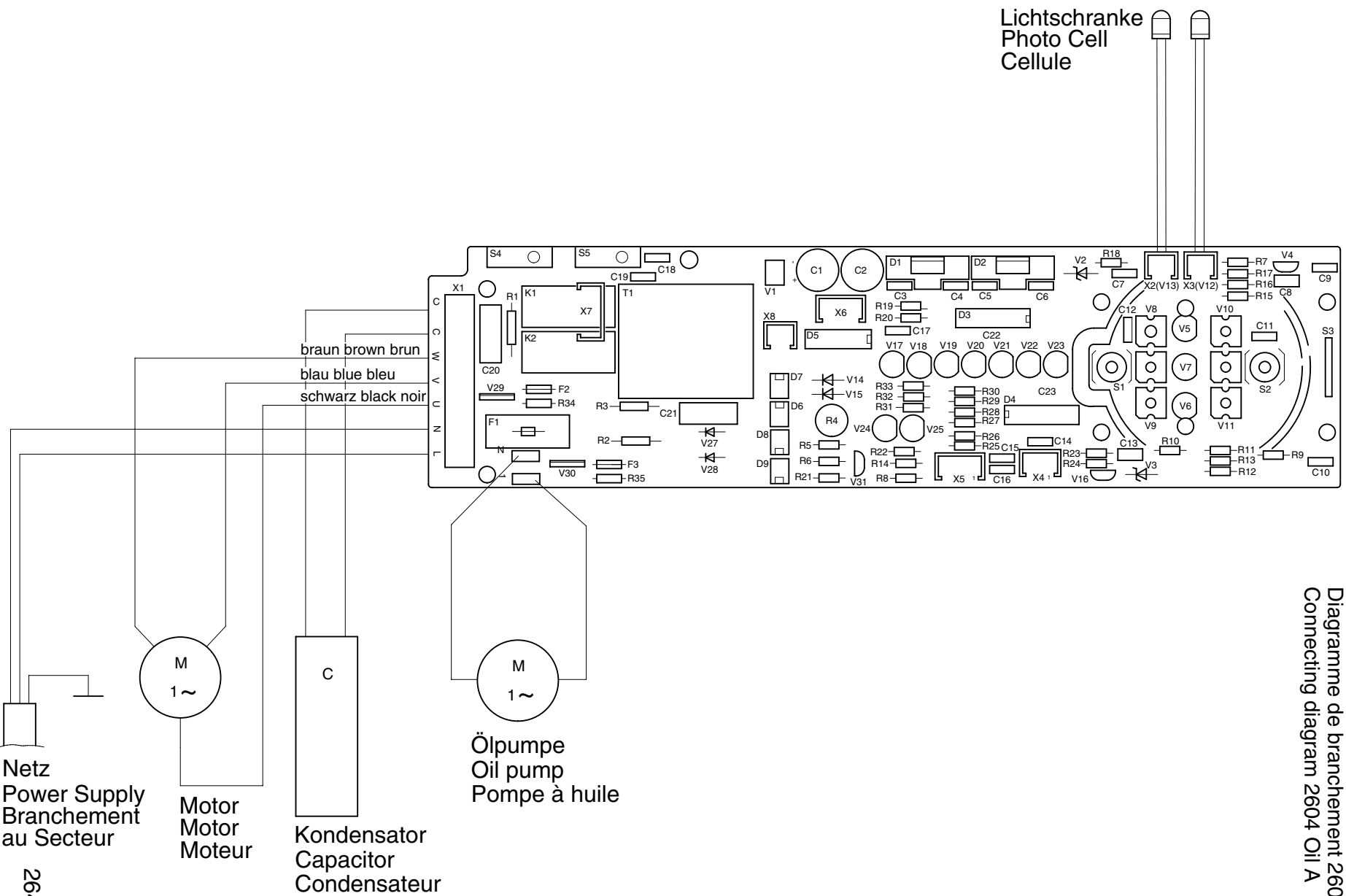
2x15mm

01.02.2013

CROSS / CUT 2x15mm Mod. 2604 Oil A

01.03.2009

Anschlußplan 2604 Oil A
Diagramme de branchement 2604 Oil A
Connecting diagram 2604 Oil A



2640 182

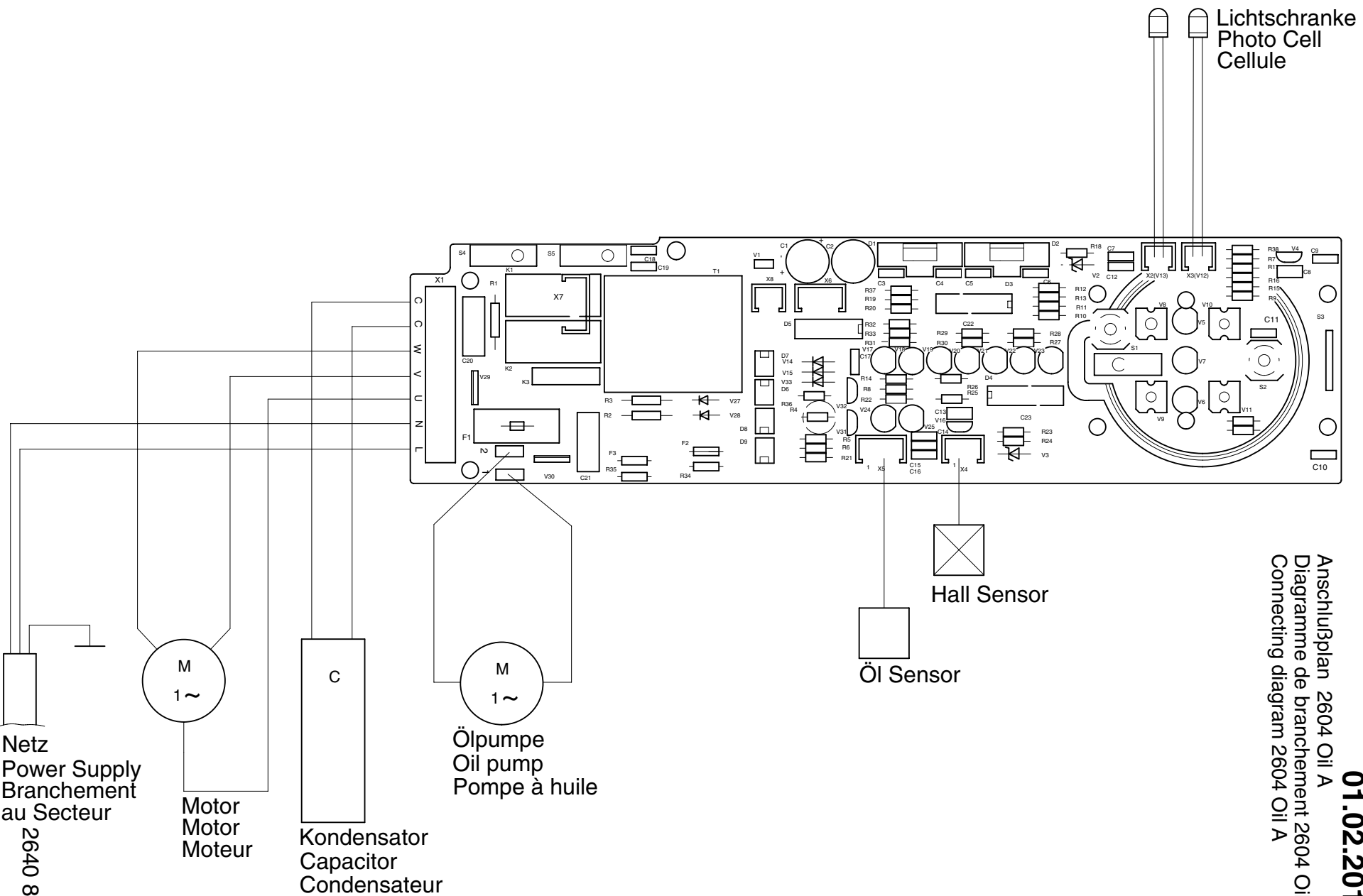
Mod. 2604 Oil A

CROSS / CUT

2x15mm

01.02.2012

Anschlußplan 2604 Oil A
 Diagramme de branchement 2604 Oil A
 Connecting diagram 2604 Oil A



Netz
 Power Supply
 Branchement
 au Secteur

2640 862

8

Motor
 Moteur

Kondensator
 Capacitor
 Condensateur

Ölpumpe
 Oil pump
 Pompe à huile

Hall Sensor

Öl Sensor

Lichtschranke
 Photo Cell
 Cellule