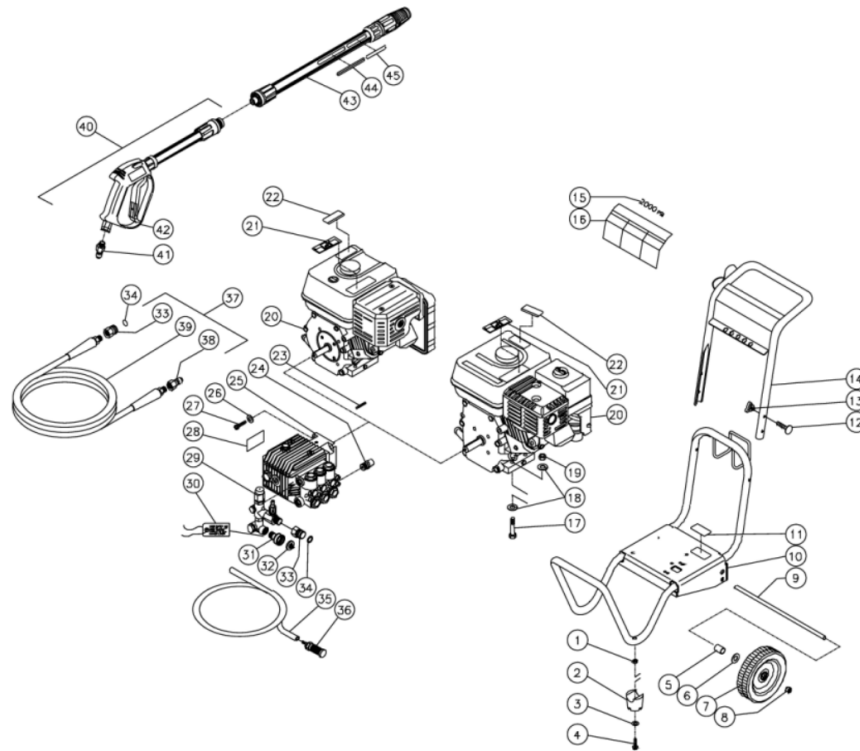




CD-2003-1MHC

FRAME ASSEMBLY



| Id | Item # | Description | Quantity | Rev | Comments |
|----|---------|-------------|----------|-----|----------|
| 1 | 30-0155 | LOCKNUT | 2 | | |
| 2 | 14-0066 | ISOLATOR | 2 | | |
| 3 | 28-0021 | WASHER | 2 | | |
| 4 | 27-0019 | BOLT | 2 | | |

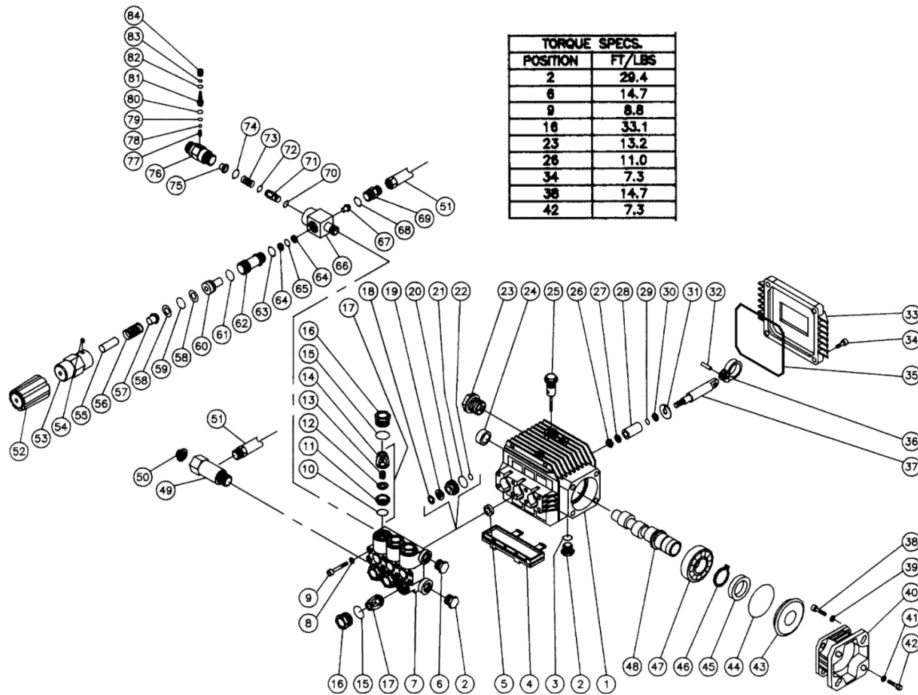
| Id | Item # | Description | Quantity | Rev | Comments |
|----|------------|--|----------|-----|----------|
| 5 | 20-0406A01 | AXLE SPACER | 2 | | |
| 6 | 28-0006 | WASHER | 5 | | |
| 7 | 14-0052 | WHEEL | 2 | | |
| 8 | 33-0055 | HUB CAP | 2 | | |
| 9 | 20-0517 | AXLE | 1 | | |
| 10 | 5-0148A01 | FRAME ASSEMBLY | 1 | | |
| 11 | N/A | DECAL- DATA PLATE | 1 | | |
| 12 | 31-0051 | CARRIAGE BOLT | 2 | | |
| 13 | 7-0107 | KNOB | 2 | | |
| 14 | 7-0158A01 | HANDLE ASSEMBLY | 1 | | |
| 15 | 34-0771 | DECAL- DIE CUT 2000 PSI | 1 | | |
| 16 | N/A Sep. | DECAL- WARNING/CAUTION/OPERATION (SEE 34-9014) | 1 | | |
| 17 | 27-0070 | BOLT | 4 | | |
| 18 | 28-0003 | WASHER | 8 | | |
| 19 | 30-0157 | LOCKNUT | 4 | | |
| 20 | 1-0013 | ENGINE- 5.5 H.P. HONDA (CD-2003-1MHC) | 1 | | |
| 20 | 1-0069 | ENGINE- 6.0 H.P. BRIGGS & STRATTON VANGUARD (CD-2003-1MVC) | 1 | | |
| 21 | N/A Sep. | DECAL- WARNING: MUFFLER HOT (SEE 34-9014) | 1 | | |
| 22 | N/A Sep. | DECAL- CAUTION: ALLOW TO COOL (SEE 34-9014) | 1 | | |
| 24 | 22-0114 | HEAT DUMP VALVE | 1 | | |
| 25 | 3-0090 | PUMP | 1 | | |
| 26 | 29-0155 | LOCKWASHER | 4 | | |
| 27 | 27-0846 | BOLT W/PUMP | 4 | | |
| 28 | N/A Sep. | DECAL- IMPORTANT: PUMP INSTRUCTIONS (SEE 34-9014) | 1 | | |
| 29 | 8-0494 | UNLOADER | 1 | | |
| 30 | 34-0097 | TAG- WATER SUPPLY INLET | 1 | | |
| 31 | 23-0096 | GARDEN HOSE SWIVEL | 1 | | |
| 32 | 19-0001 | FILTER | 1 | | |
| 33 | 17-0004 | QUICK CONNECT SOCKET | 2 | | |
| 34 | 25-0123 | O-RINGS | 2 | | |
| 35 | 15-0021 | DETERGENT HOSE *(FOUR FEET REQUIRED) | 1 | | |
| 36 | 19-0050 | DETERGENT STRAINER | 1 | | |
| 37 | 851-0007 | PRESSURE HOSE ASSEMBLY (INCLUDES 33, 38-39) | 1 | | |
| 38 | 17-0006 | QUICK CONNECT PLUG | 1 | | |
| 39 | 15-0003 | PRESSURE HOSE | 1 | | |
| 40 | 851-0199 | GUN/WAND ASSEMBLY (INCLUDES 41, 42) | 1 | | |
| 41 | 17-0005 | QUICK CONNECT PLUG | 1 | | |
| 42 | 16-0167 | GUN ASSEMBLY | 1 | | |
| 43 | 16-0172 | VARIBALE NOZZLE | 1 | | |

| Id | Item # | Description | Quantity | Rev | Comments |
|-----------|---------------|---|-----------------|------------|-----------------|
| 44 | N/A Sep. | DECAL- WARNING: RISK OF INJECTION (SEE 34-9014) | 1 | | |
| 45 | N/A Sep. | DECAL- ADJUSTABLE NOZZLE HI/SOAP (SEE 34-9014) | 1 | | |
| | 34-9014 | SAFETY DECAL KIT (INC. 16, 21-22, 28, 44-45) | | | |
| | | *MUST ORDER IN ONE FOOT LENGTHS | | | |



CD-2003-1MHC

OLD PUMP ASSEMBLY



| Id | Item # | Description | Quantity | Rev | Comments |
|----|-------------|---------------------------|----------|-----|----------|
| 1 | 46-0221 | CRANKCASE | 1 | | |
| 2 | 39-0018 | HEX PLUG | 1 | | |
| 3 | 25-0052 | O-RING | 1 | | |
| 4 | 46-0229 | DRIP PAN | 1 | | |
| 5 | 26-0111 | OIL SEAL | 3 | | |
| 6 | 39-0017 | HEX PLUG | 1 | | |
| 7 | 46-0163 | MANIFOLD- BRASS | 1 | | |
| 8 | 29-0153 | LOCKWASHER | 8 | | |
| 9 | 27-8406 | BOLT | 8 | | |
| 10 | N/A Sep. | O-RING (SEE 70-0009) | 6 | | |
| 11 | N/A SEP. | VALVE SEAT (SEE 70-0009) | 6 | | |
| 12 | N/A SEP. | VALVE PLATE (SEE 70-0009) | 6 | | |

| Id | Item # | Description | Quantity | Rev | Comments |
|----|-------------|------------------------------|----------|-----|----------|
| 13 | N/A Sep. | VALVE SPRING (SEE 70-0009) | 6 | | |
| 14 | N/A SEP. | VALVE CAGE (SEE 70-0009) | 6 | | |
| 15 | 25-0012 | O-RING | 6 | | |
| 16 | 39-0035 | VALVE PLUG | 6 | | |
| 17 | N/A SEP. | VALVE ASSEMBLY (SEE 70-0009) | 6 | | |
| 18 | N/A Sep. | HEAD RING (SEE 70-0009) | 6 | | |
| 19 | N/A Sep. | V-PACKING (SEE 70-0009) | 6 | | |
| 20 | 46-0158 | V-PACKING RETAINER | 3 | | |
| 21 | 25-0141 | O-RING | 3 | | |
| 22 | 25-0128 | O-RING | 1 | | |
| 23 | 46-0114 | OIL LEVEL INDICATOR | 1 | | |
| 24 | 48-0019 | NEEDLE BEARING | 1 | | |
| 25 | 46-0143 | OIL DIPSTICK | 1 | | |
| 26 | 46-0168 | NUT | 3 | | |
| 27 | 46-0166 | WASHER | 3 | | |
| 28 | 46-0148 | PLUNGER | 3 | | |
| 29 | 25-0045 | O-RING | 3 | | |
| 30 | 25-0143 | BACK-UP RING | 3 | | |
| 31 | 46-0167 | WASHER | 3 | | |
| 32 | 43-0044 | PISTON CONNECTING ROD PIN | 3 | | |
| 33 | 46-0151 | CRANKCASE COVER | 1 | | |
| 34 | 27-8409 | BOLT | 4 | | |
| 35 | 25-0332 | O-RING | 1 | | |
| 36 | 46-0152 | CONNECTING ROD | 3 | | |
| 37 | 46-0149 | PISTON GUIDE | 3 | | |
| 38 | 27-0846 | BOLT | 4 | | |
| 39 | 29-0154 | LOCKWASHER | 4 | | |
| 40 | 38-0021 | FLANGE | 1 | | |
| 41 | 29-0153 | LOCKWASHER | 4 | | |
| 42 | 27-8409 | BOLT | 4 | | |
| 43 | 46-0087 | SPACER | 1 | | |
| 44 | 25-0060 | O-RING | 1 | | |
| 45 | 26-0126 | OIL SEAL | 1 | | |
| 46 | 46-0245 | SNAP RING | 1 | | |
| 47 | 48-0024 | BEARING | 1 | | |
| 48 | 46-0329 | CRANKSHAFT (CD-1504) | 1 | | |

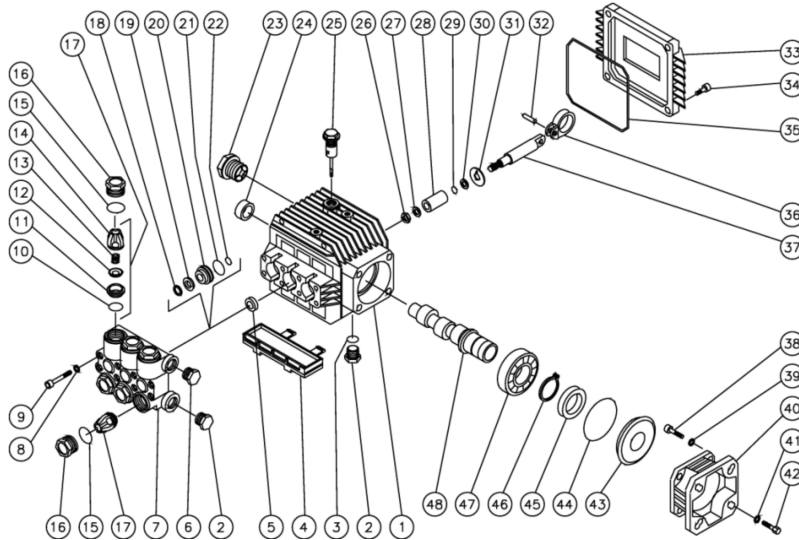
| Id | Item # | Description | Quantity | Rev | Comments |
|----|-------------|---|----------|-----|----------|
| 48 | 46-0233 | CRANKSHAFT (CD-2003) | 1 | | |
| 49 | 23-0148 | INLET FITTING | 1 | | |
| 50 | 19-0001 | FILTER | 1 | | |
| 51 | 15-0094 | BY-PASS HOSE | 1 | | |
| 52 | 7-0096 | PLASTIC ADJUSTABLE KNOB | 1 | | |
| 53 | 7-0081 | ADJUSTABLE KNOB (CD-1504) | 1 | | |
| 53 | 7-0109 | ADJUSTABLE KNOB (CD-2003) | 1 | | |
| 54 | N/A Sep. | STOP ADJUSTING KNOB (SEE 70-0109 OR 70-011) | 1 | | |
| 55 | 8-0386 | SPRING GUIDE | 1 | | |
| 56 | 49-0068 | SPRING (CD-1504) | 1 | | |
| 56 | 49-0106 | SPRING (CD-2003) | 1 | | |
| 57 | 8-0309 | SPRING SEAT | 1 | | |
| 58 | N/A Sep. | BACK-UP RING (SEE 70-0109 OR 70-0114) | 2 | | |
| 59 | N/A Sep. | O-RING (SEE 70-0109 OR 70-0114) | 1 | | |
| 60 | 8-0315 | PISTON | 1 | | |
| 61 | N/A Sep. | O-RING (SEE 70-0109 OR 70-0114) | 1 | | |
| 62 | 23-0147 | BARREL STEM RETAINER | 1 | | |
| 63 | 25-0211 | O-RING | 1 | | |
| 64 | N/A Sep. | BACK-UP RING (SEE 70-0109 OR 70-0114) | 2 | | |
| 65 | N/A Sep. | O-RING (SEE 70-0109 OR 70-0114) | 1 | | |
| 66 | 8-0296 | UNLOADER BODY | 1 | | |
| 67 | N/A Sep. | BALL PISTON (SEE 70-0109 OR 70-0114) | 1 | | |
| 68 | N/A Sep. | O-RING (SEE 70-0109 OR 70-0114) | 1 | | |
| 69 | N/A Sep. | BY-PASS SEAT (SEE 70-0109 OR 70-0114) | 1 | | |
| 70 | N/A Sep. | O-RING (SEE 852-0087) | 1 | | |
| 71 | 8-0300 | BACKFLOW CHECK | 1 | | |
| 72 | N/A Sep. | O-RING (SEE 852-0087) | 1 | | |
| 73 | N/A Sep. | CHECK SPRING (SEE 852-0087) | 1 | | |
| 74 | 25-0216 | O-RING | 1 | | |
| 75 | 50-0069 | INJECTOR ORIFICE | 1 | | |
| 76 | 50-0071 | INJECTOR | 1 | | |

| Id | Item # | Description | Quantity | Rev | Comments |
|-----|-------------|--|----------|-----|----------|
| 77 | N/A Sep. | SPRING (SEE 852-0086) | 1 | | |
| 78 | N/A Sep. | BALL (SEE 852-0086) | 1 | | |
| 79 | N/A Sep. | O-RING (SEE 852-0086) | 1 | | |
| 80 | N/A Sep. | O-RING (SEE 852-0086) | 1 | | |
| 81 | 50-0070 | HOSE BARB | 1 | | |
| 82 | 25-0329 | O-RING | 1 | | |
| 83 | 25-0328 | O-RING | 1 | | |
| 84 | 8-0384 | ADJUSTMENT KNOB | 1 | | |
| KIT | 70-0009 | VALVE KIT (INC. 6 EACH 10-14) | | | |
| KIT | 70-0024 | V-PACKING KIT (INC. 3 EACH 18, 19, 21, 22) | | | |
| KIT | 852-0087 | UNLOADER CHECK VALVE KIT (INC. 70, 72, 73) | | | |
| KIT | 70-0109 | UNLOADER REPAIR KIT FOR 1500PSI (INC. 54, 56, 58, 59, 61, 64, 65, 67-69) | | | |
| KIT | 70-0114 | UNLOADER REPAIR KIT FOR 2000PSI (INC. 54, 56, 58, 59, 61, 64, 65, 67-69) | | | |
| KIT | 50-0067 | COMPLETE INJECTOR- 1500PSI | | | |
| KIT | 50-0066 | COMPLETE INJECTOR- 2000PSI | | | |
| KIT | 852-0086 | INJECTOR REPAIR KIT (INC. 77-80) | | | |
| KIT | 70-0015 | SEAL KIT (INC. 3 EACH 5) | | | |
| KIT | 8-0314 | COMPLETE UNLOADER- 1500PSI | | | |
| KIT | 8-0385 | COMPLETE UNLOADER- 2000PSI | | | |



CD-2003-1MHC

NEW PUMP ASSEMBLY



| TORQUE SPECS. | |
|---------------|--------|
| POSITION | FT-LBS |
| 2 | 29.4 |
| 6 | 14.7 |
| 9 | 8.8 |
| 16 | 33.1 |
| 23 | 13.2 |
| 26 | 11.0 |
| 34 | 7.3 |
| 38 | 14.7 |
| 42 | 7.3 |

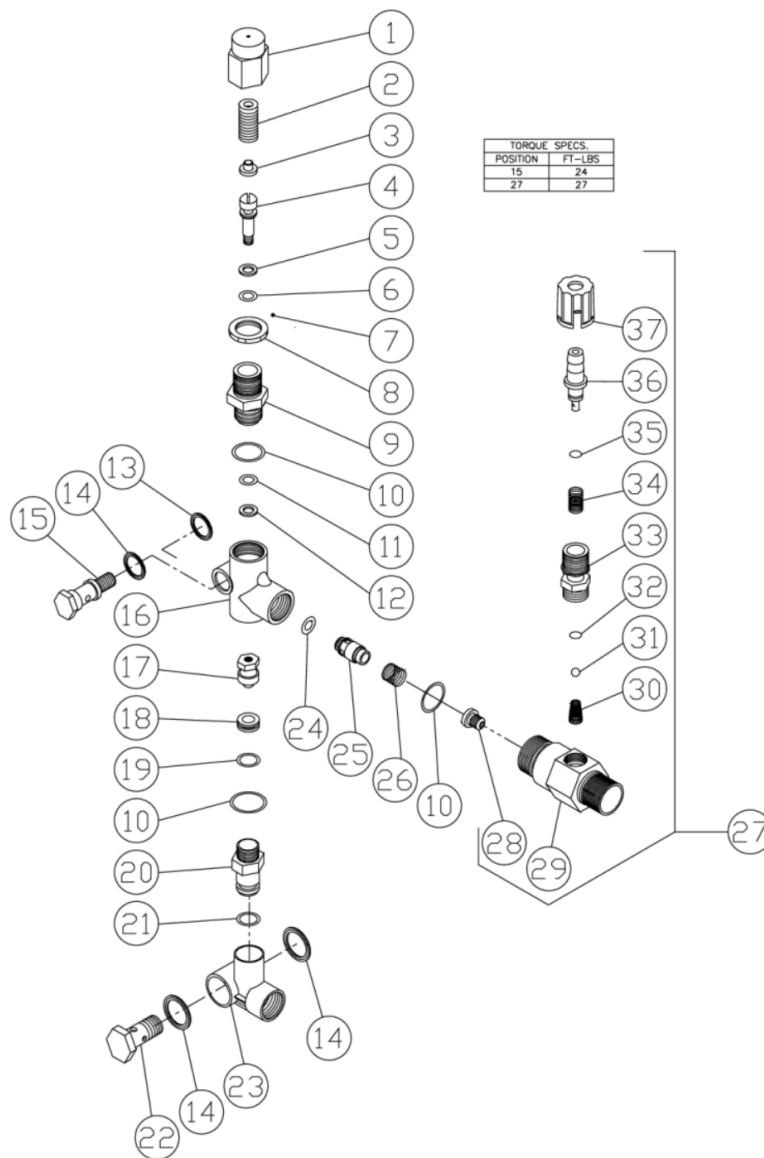
| Id | Item # | Description | Quantity | Rev | Comments |
|----|----------|---|----------|-----|----------|
| 1 | 46-0221 | CRANKCASE | 1 | | |
| 2 | 39-0018 | PLUG | 2 | | |
| 3 | 25-0052 | O-RING | 1 | | |
| 4 | 46-0229 | DRIP PAN | 1 | | |
| 5 | 26-0111 | OIL SEAL | 3 | | |
| 6 | 39-0017 | PLUG | 1 | | |
| 7 | 46-0163 | MANIFOLD | 1 | | |
| 8 | 29-0153 | LOCKWASHER | 12 | | |
| 9 | 27-8406 | HEAD BOLT | 8 | | |
| 10 | N/A Sep. | O-RING (SEE 70-0009) | 6 | | |
| 11 | N/A SEP. | VALVE SEAT (SEE 70-0009) | 6 | | |
| 12 | N/A SEP. | VALVE PLATE (SEE 70-0009) | 6 | | |
| 13 | N/A Sep. | VALVE SPRING (SEE 70-0009) | 6 | | |
| 14 | N/A SEP. | VALVE CAGE (SEE 70-0009) | 6 | | |
| 15 | 25-0012 | O-RING | 6 | | |
| 16 | 39-0035 | VALVE CAP | 6 | | |
| 17 | N/A Sep. | VALVE ASSEMBLY (INCLUDES 10-14) (SEE 70-0009) | 6 | | |
| 18 | N/A Sep. | HEAD RING (SEE 70-0024) | 3 | | |

| Id | Item # | Description | Quantity | Rev | Comments |
|-----|----------|---------------------------------------|----------|-----|----------|
| 19 | N/A Sep. | V-PACKING (SEE 70-0024) | 3 | | |
| 20 | 46-0158 | V-PACKING RETAINER | 3 | | |
| 21 | 25-0141 | O-RING | 3 | | |
| 22 | 25-0128 | O-RING | 3 | | |
| 23 | 46-0114 | OIL LEVEL INDICATOR | 1 | | |
| 24 | 48-0019 | BEARING | 1 | | |
| 25 | 46-0143 | OIL DIP STICK | 1 | | |
| 26 | 46-0168 | NUT | 3 | | |
| 27 | 46-0166 | WASHER | 3 | | |
| 28 | 46-0148 | PLUNGER | 3 | | |
| 29 | 25-0045 | O-RING | 3 | | |
| 30 | 25-0143 | BACK-UP RING | 3 | | |
| 31 | 46-0167 | WASHER | 3 | | |
| 32 | 43-0044 | CONNECTING ROD | 3 | | |
| 33 | 46-0151 | CRANKCASE COVER | 1 | | |
| 34 | 27-8409 | BOLT | 4 | | |
| 35 | 25-0332 | O-RING COVER | 1 | | |
| 36 | 46-0152 | CONNECTING ROD | 3 | | |
| 37 | 46-0149 | PISTON GUIDE | 3 | | |
| 38 | 27-0846 | BOLT | 4 | | |
| 39 | 29-0154 | LOCKWASHER | 4 | | |
| 40 | 38-0021 | FLANGE | 1 | | |
| 41 | 29-0153 | LOCKWASHER | 4 | | |
| 42 | 27-8409 | BOLT | 4 | | |
| 43 | 46-0087 | SPACER | 1 | | |
| 44 | 25-0060 | O-RING | 1 | | |
| 45 | 26-0126 | OIL SEAL | 1 | | |
| 46 | 46-0245 | SNAP RING | 1 | | |
| 47 | 48-0024 | BEARING | 1 | | |
| 48 | 46-0233 | CRANKSHAFT | 1 | | |
| KIT | 70-0009 | VALVE KIT (INCLUDES 10-14, 17) | | | |
| KIT | 70-0024 | V-PACKING KIT (INCLUDES 18-19, 21-22) | | | |
| KIT | 70-0023 | V-PACKING ASSEMBLY (18-22) | | | |



CD-2003-1MHC

UNLOADER ASSEMBLY



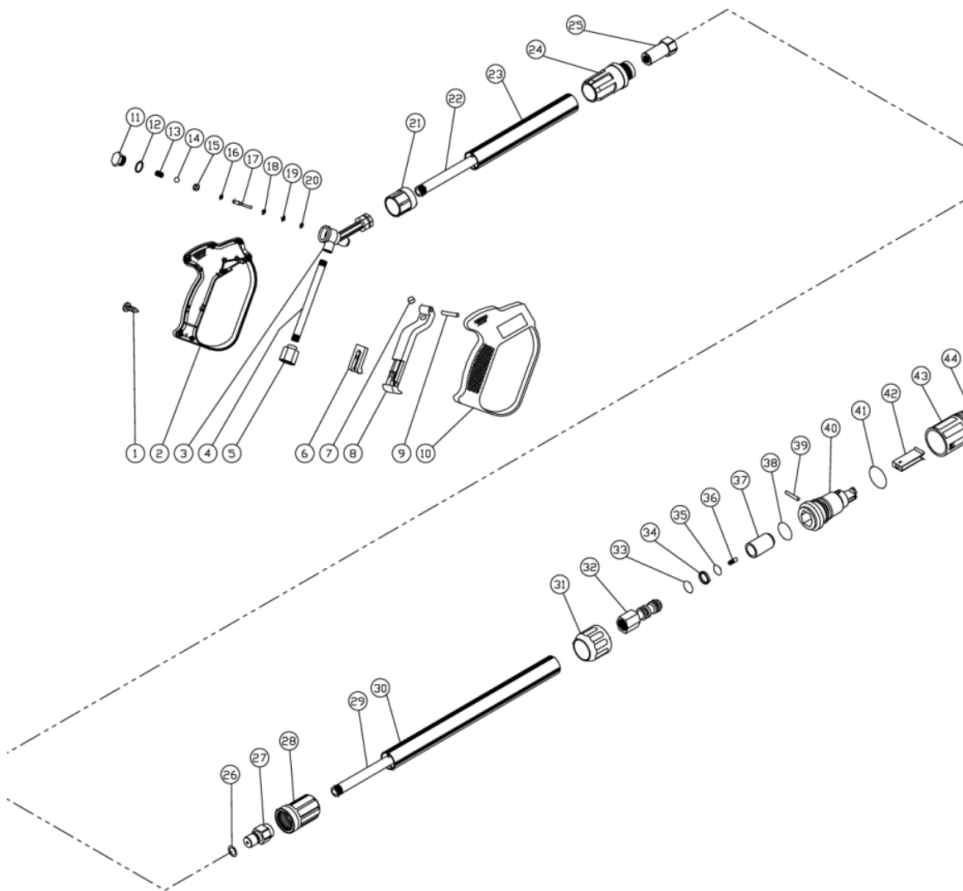
| Id | Item # | Description | Quantity | Rev | Comments |
|----|----------|-----------------|----------|-----|----------|
| 1 | 39-00092 | ADJUSTING CAP | 1 | | |
| 2 | 49-0120 | SPRING | 1 | | |
| 3 | 8-0421 | SPRING RETAINER | 1 | | |
| 4 | 46-0324 | PISTON STEM | 1 | | |

| Id | Item # | Description | Quantity | Rev | Comments |
|-----|----------|---|----------|-----|----------|
| 5 | 25-0206 | BACK-UP RING | 1 | | |
| 6 | N/A Sep. | O-RING (SEE 70-0168) | 1 | | |
| 7 | 8-0479 | SET SCRW | 1 | | |
| 8 | 46-0651 | LOCKNUT | 1 | | |
| 9 | 8-0424 | PISTORN RETAINER | 1 | | |
| 10 | N/A Sep. | O-RING (SEE 70-0168) | 3 | | |
| 11 | N/A Sep. | O-RING (SEE 70-0168) | 1 | | |
| 12 | 25-0203 | BACK-UP RING | 1 | | |
| 13 | 8-0433 | WASHER | 1 | | |
| 14 | 8-0427 | WASHER | 3 | | |
| 15 | 23-0286 | CONNECTOR | 1 | | |
| 16 | N/A SEP. | BODY | 1 | | |
| 17 | 46-0320 | VALVE AND BALL ASSEMBLY | 1 | | |
| 18 | 8-0430 | BYPASS SEAT | 1 | | |
| 19 | 25-0202 | O-RING | 1 | | |
| 20 | N/A SEP. | BYPASS FILTER | 1 | | |
| 21 | 25-0376 | O-RING | 1 | | |
| 22 | 23-0285 | CONNECTOR | 1 | | |
| 23 | N/A SEP. | BYPASS FITTING | 1 | | |
| 24 | 25-0375 | O-RING | 1 | | |
| 25 | 8-0426 | FLOW BALANCER | 1 | | |
| 26 | 49-0121 | SPRING | 1 | | |
| 27 | 46-0590 | DETERGENT INJECTOR (INC. 28-37) | 1 | | |
| 28 | 50-0132 | ORFICE 2.1 MM | 1 | | |
| 29 | N/A SEP. | INJECTOR BODY (SEE 46-0752) | 1 | | |
| 30 | N/A SEP. | SPRING | 1 | | |
| 31 | N/A Sep. | BALL (SEE 852-0056) | 1 | | |
| 32 | N/A Sep. | O-RING (SEE 852-0056) | 1 | | |
| 33 | N/A SEP. | PISTON RETAINER (SEE 852-0056) | 1 | | |
| 34 | 49-0056 | SPRING | 1 | | |
| 35 | N/A Sep. | O-RING (SEE 852-0056) | 1 | | |
| 36 | 50-0157 | SHUTTER BARB | 1 | | |
| 37 | 50-0158 | ADJUSTING KNOB | 1 | | |
| KIT | 70-0168 | UNLOADER REPAIR KIT (INC 4-6, 10-12, 17-19, 21) | | | |
| KIT | 852-0056 | REPAIR KIT (INC. 30-32, 35) | | | |



CD-2003-1MHC

GUN AND LANCE ASSEMBLY



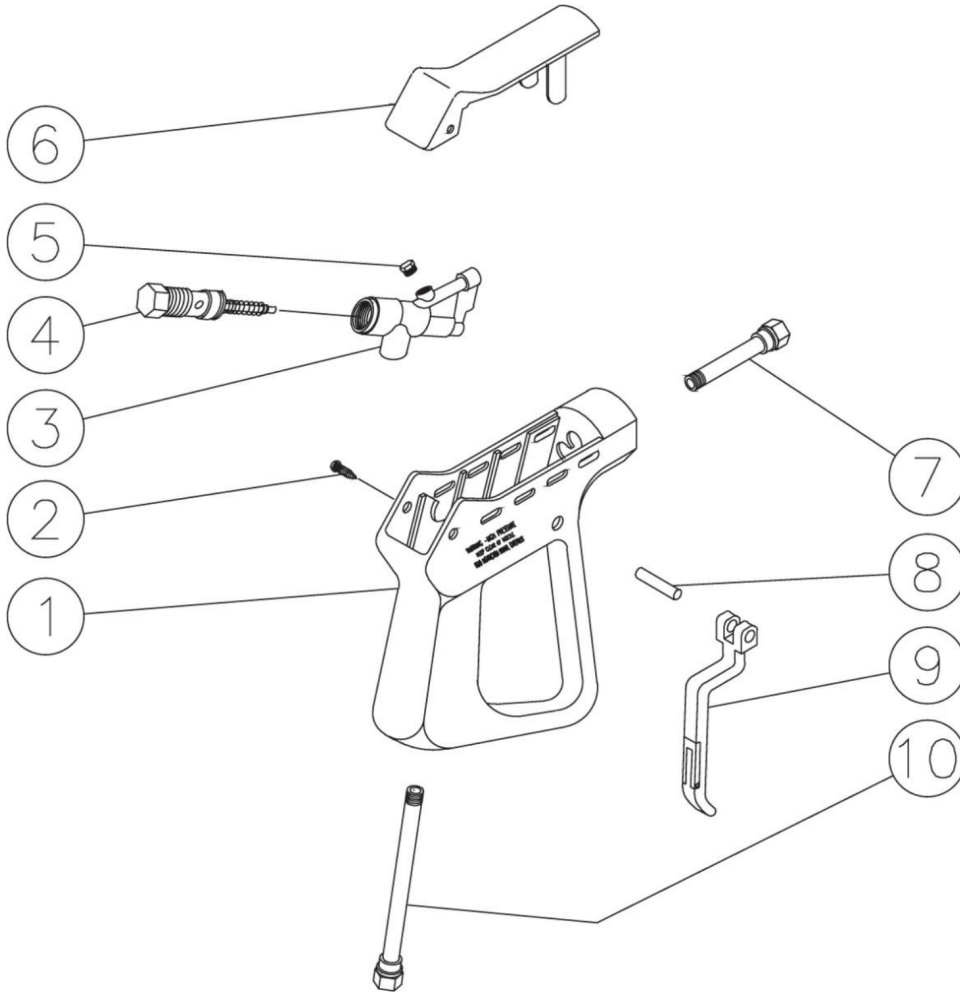
| Id | Item # | Description | Quantity | Rev | Comments |
|----|---------|-----------------------------|----------|-----|----------|
| 1 | 27-8382 | SCREW | 7 | | |
| 2 | 16-0189 | PLASTIC HOUSING (LEFT SIDE) | 1 | | |
| 3 | 23-0183 | HOUSING-BRASS | 1 | | |
| 4 | 21-0095 | PIPE | 1 | | |

| Id | Item # | Description | Quantity | Rev | Comments |
|-----|----------|---|----------|-----|----------|
| 5 | 23-0174 | COUPLER | 1 | | |
| 6 | 16-0188 | TRIGGER SAFETY LOCK | 1 | | |
| 7 | 16-0186 | TRIGGER REST | 1 | | |
| 8 | 16-0187 | TRIGGER | 1 | | |
| 9 | 43-0069 | TRIGGER PIN | 1 | | |
| 10 | 16-0185 | PLASTIC HOUSING WITH WARNING (RIGHT SIDE) | 1 | | |
| 11 | N/A Sep. | PLUG (SEE KIT 70-0057) | 1 | | |
| 12 | N/A Sep. | O-RING (SEE KIT 70-0057) | 1 | | |
| 13 | N/A Sep. | SPRING (SEE KIT 70-0057) | 1 | | |
| 14 | N/A Sep. | BALL (SEE KIT 70-0057) | 1 | | |
| 15 | N/A Sep. | SEAT (SEE KIT 70-0057) | 1 | | |
| 16 | N/A Sep. | O-RING (SEE KIT 70-0057) | 1 | | |
| 17 | N/A Sep. | PIN (SEE KIT 70-0057) | 1 | | |
| 18 | N/A Sep. | WASHER (SEE KIT 70-0057) | 1 | | |
| 19 | N/A Sep. | O-RING (SEE KIT 70-0057) | 1 | | |
| 20 | N/A Sep. | BACK-UP RING (SEE KIT 70-0057) | 1 | | |
| 21 | 16-0182 | GUN/WAND CONNECTOR | 1 | | |
| 22 | 21-0089 | PIPE | 1 | | |
| 23 | 62-0063 | WAND PROTECTOR | 1 | | |
| 24 | 16-0181 | PLASTIC SCREW CONNECTOR-MALE | 1 | | |
| 25 | 17-0031 | QUICK CONNECT-FEMALE | 1 | | |
| 26 | 25-0259 | O-RING | 1 | | |
| 27 | 17-0032 | QUICK CONNECT-MALE | 1 | | |
| 28 | 16-0183 | PLASTIC SCREW CONNECTOR-FEMALE | 1 | | |
| 29 | 16-0322 | PIPE | 1 | | |
| 30 | 16-0323 | WAND PROTECTOR | 1 | | |
| 31 | N/A | BODY | 1 | | |
| 32 | 25-0354 | O-RING | 1 | | |
| 33 | N/A | NOZZLE COVER | 1 | | |
| 34 | 25-0355 | O-RING | 1 | | |
| 35 | N/A | NOZZLE HOLDER | 1 | | |
| KIT | 16-0167 | GUN W/SCREW LANCE (INCLUDES ITEMS 1-25) | | | |
| KIT | 70-0057 | GUN REPAIR KIT (INCLUDES ITEMS 11-20) | | | |
| KIT | 16-0310 | LANCE ASSEMBLY COMPLETE (INC. 26-30) | | | |
| KIT | 16-0305 | HIGH/LOW ADJ. NOZZLE (INCLUDES 31-35) | | | |
| KIT | 851-0267 | LANCE/NOZZLE ASSEMBLY (INCLUDES 26-35) | | | |



CD-2003-1MHC

GUN ASSEMBLY



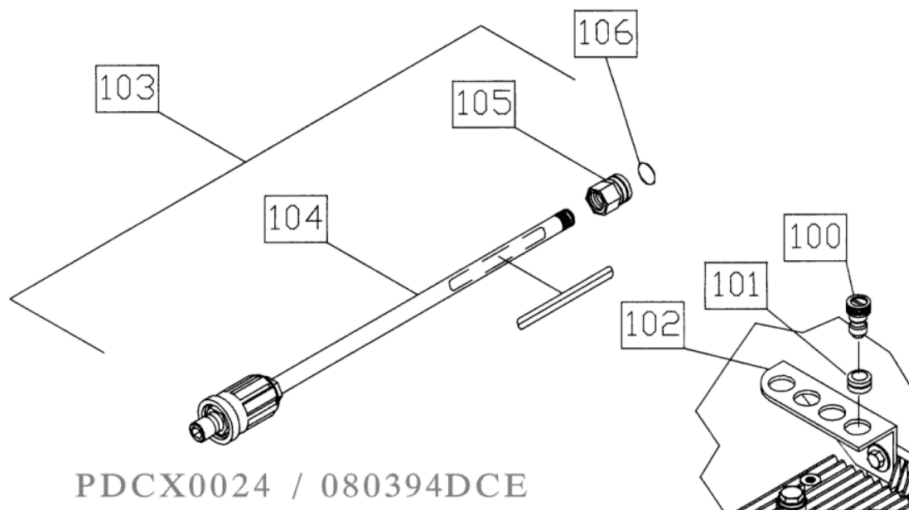
| Id | Item # | Description | Quantity | Rev | Comments |
|----|---------|-------------------------|----------|-----|----------|
| 1 | 16-0008 | PLASTIC HOUSING | 1 | | |
| 2 | 27-3230 | SCREW | 2 | | |
| 3 | 16-0012 | BRASS HOUSING | 1 | | |
| 4 | 70-0055 | GUN REPAIR KIT | 1 | | |
| 5 | 39-0024 | BRASS PLUG | 1 | | |
| 6 | 16-0009 | PLASTIC COVER | 1 | | |
| 7 | 16-0013 | PIPE ASSEMBLY | 1 | | |
| 8 | 16-0063 | TRIGGER PIN | 1 | | |
| 9 | 16-0010 | TRIGGER/SAFETY LOCK-OFF | 1 | | |

| Id | Item # | Description | Quantity | Rev | Comments |
|-----------|---------------|-----------------------|-----------------|------------|-----------------|
| 10 | 16-0016 | PIPE ASSEMBLY- INLET | 1 | | |
| | 16-0001 | COMPLETE GUN ASSEMBLY | 1 | | |



CD-2003-1MHC

CX-0024



| Id | Item # | Description | Quantity | Rev | Comments |
|-----|---------|--------------------|----------|-----|----------|
| 100 | 18-0035 | SPRAY NOZZLE-00055 | 1 | | |
| 100 | 18-0041 | SPRAY NOZZLE-15055 | 1 | | |
| 100 | 18-0062 | SPRAY NOZZLE-25055 | 1 | | |
| 100 | 18-0148 | SPRAY NOZZLE-6540 | 1 | | |

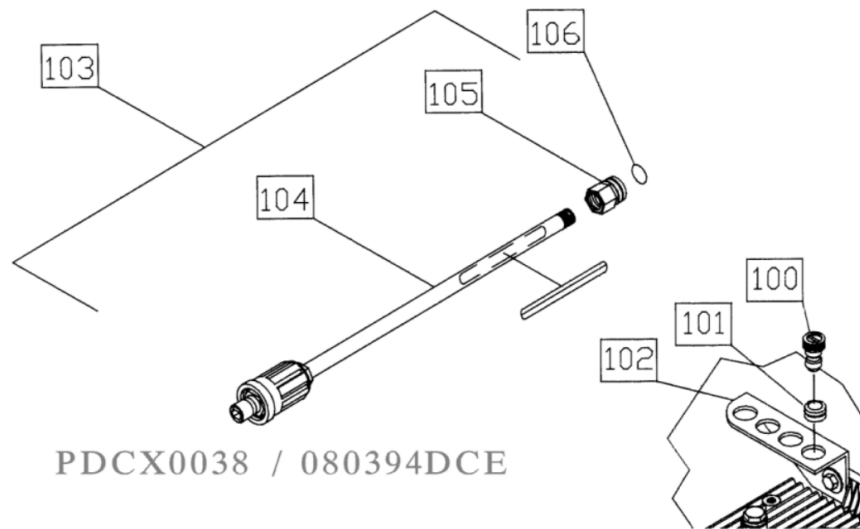
| Id | Item # | Description | Quantity | Rev | Comments |
|-----|----------|---------------------------|----------|-----|----------|
| 101 | 33-0001 | GROMMET | 4 | | |
| 102 | 13-0096 | NOZZLE HOLDER BRACKET | 1 | | |
| 103 | 851-0202 | LANCE ASSEMBLY | 1 | | |
| 104 | 16-0176 | EXTENTION WAND | 1 | | |
| 105 | 17-0001 | QUICK CONNECT SOCKET-1/4" | 1 | | |
| 106 | 25-0122 | O-RING | 2 | | |

*THESE PARTS AVAILABLE SEPARATELY OR AS PART OF 851-0202



CD-2003-1MHC

CX-0038



| Id | Item # | Description | Quantity | Rev | Comments |
|-----|---------|--------------------|----------|-----|----------|
| 100 | 18-0257 | SPRAY NOZZLE-00035 | 1 | | |
| 100 | 18-0258 | SPRAY NOZZLE-15035 | 1 | | |
| 100 | 18-0259 | SPRAY NOZZLE-25035 | 1 | | |
| 100 | 18-0148 | SPRAY NOZZLE-6540 | 1 | | |

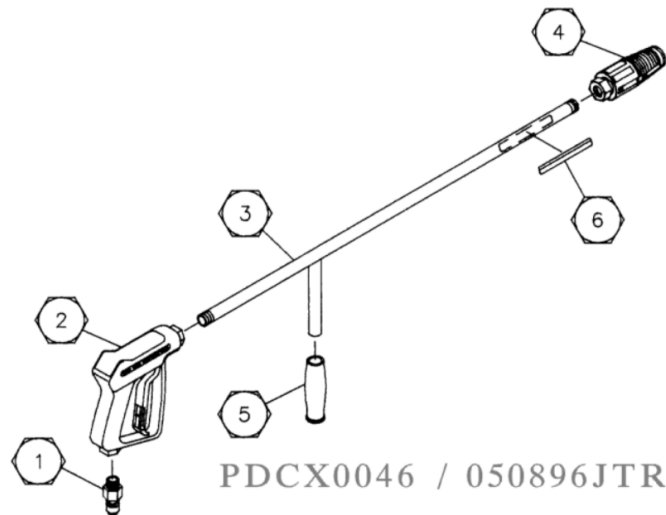
| Id | Item # | Description | Quantity | Rev | Comments |
|-----------|---------------|---------------------------|-----------------|------------|-----------------|
| 101 | 33-0001 | GROMMET | 4 | | |
| 102 | 13-0096 | NOZZLE HOLDER BRACKET | 1 | | |
| 103 | 851-0202 | LANCE ASSEMBLY | 1 | | |
| 104 | 16-0176 | EXTENTION WAND | 1 | | |
| 105 | 17-0001 | QUICK CONNECT SOCKET-1/4" | 1 | | |
| 106 | 25-0122 | O-RING | 2 | | |

*THESE PARTS AVAILABLE SEPARATELY OR AS PART OF 851-0202



CD-2003-1MHC

CX-0046 & CX-0047



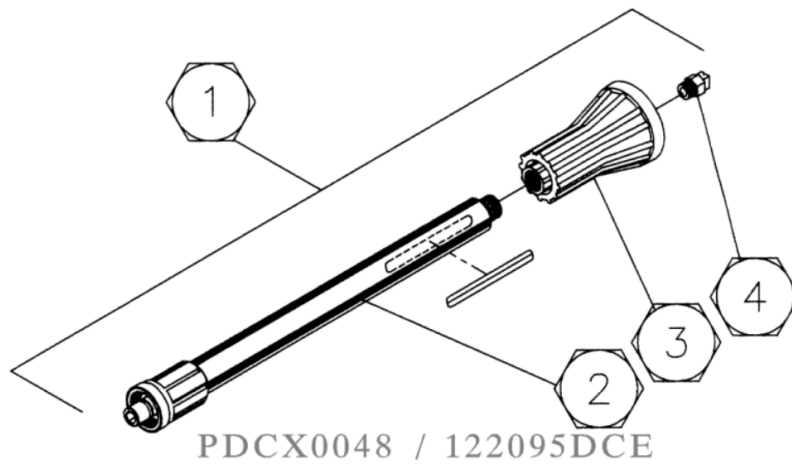
| Id | Item # | Description | Quantity | Rev | Comments |
|----|---------|---|----------|-----|----------|
| 1 | 17-0005 | QUICK CONNECT PLUG-3/8" | 1 | | |
| 2 | 16-0001 | GUN ASSEMBLY | 1 | | |
| 3 | 16-0120 | WAND WITH 36" HANDLE | 1 | | |
| 4 | 18-0280 | VARIABLE NOZZLE-1.65MM (CD-1504)(CX-46) | 1 | | |

| Id | Item # | Description | Quantity | Rev | Comments |
|-----------|---------------|---|-----------------|------------|-----------------|
| 4 | 18-0276 | VARIABLE NOZZLE-1.30MM (CD-2003)(CX-47) | 1 | | |
| 5 | 7-0002 | GRIP HANDLE | 1 | | |
| 6 | 34-0572 | DECAL-WARNING: RISK OF INJECTION | 1 | | |



CD-2003-1MHC

CX-0048 & CX-0049



| Id | Item # | Description | Quantity | Rev | Comments |
|----|----------|-------------------------------------|----------|-----|----------|
| 1 | 851-0267 | ASSEMBLY LANCE | 1 | | |
| 2 | 16-0310 | LANCE | 1 | | |
| 3 | 16-0305 | ADJUSTING NOZZLE CONE | 1 | | |
| 4 | 18-0011 | SPRAY NOZZLE-15055 (CD-1504)(CX-48) | 1 | | |

| Id | Item # | Description | Quantity | Rev | Comments |
|----|---------|-------------------------------------|----------|-----|----------|
| 4 | 18-0254 | SPRAY NOZZLE-15035 (CD-2003)(CX-49) | 1 | | |