



PARTS LIST FOR  
AIR COMPRESSOR

***ADS-23110-120HM***

***ADS-20310-120HM***

***ADS-23310-120HM***

***ADS-46310-120HM***

(AFTER SERIAL #20107354)

MAXIMUM PRESSURE:	175 PSI
COMPRESSOR OIL GRADE:	SAE30W NON-DETERGENT
COMPRESSOR OIL CAPACITY:	48 oz.

This Parts Listing has been compiled for your benefit. You can be assured your Mi-T-M Gasoline Air Compressor was constructed and designed with quality and performance in mind. Each component has been rigorously tested to insure the highest level of acceptance.

The contents of this Parts Listing are based on the latest product information available at the time of publication. Mi-T-M reserves the right to make changes in price, color, materials, equipment, specifications or models at any time without notice.

### WARNING

THIS IS A PROFESSIONAL ELECTRIC AIR COMPRESSOR. CAUTION SHOULD BE OBSERVED WHEN USING OR REPAIRING THIS UNIT! READ AND FOLLOW THE SAFETY WARNINGS LISTED BELOW BEFORE ATTEMPTING ANY REPAIRS ON THIS AIR COMPRESSOR!

### SAFETY WARNINGS

1. NEVER alter or modify the equipment. Be sure any accessory items and system components being used will withstand the pressure developed. Use only genuine Mi-T-M parts for repair of your air compressor. Failure to do so can cause hazardous operating conditions and will VOID warranty.
2. Know how to stop and bleed pressures quickly. Be thoroughly familiar with controls.
3. Before servicing the unit, turn unit off, relieve the pressure and allow the unit to cool down. Do not make repairs while the unit is running. Service in a clean, dry, flat area. Block the wheels to prevent the unit from moving. Be especially careful to properly dispose of any flammable materials.
4. After testing the machine, DO NOT leave the pressurized unit unattended. Shut off the unit and release trapped pressure before leaving.

## Table of Contents

NOTES .....	4
SPECIFICATIONS .....	5
FLOW CHART .....	6
GENERAL THEORY OF OPERATION .....	7
ADS 120 GAL HORIZONTAL M SERIES .....	8
COMPRESSOR PUMP (3-0313) .....	10
AFTERCOOLER (IX-0003) .....	12
ELECTRIC TANK DRAIN (IX-0006) .....	13
DUAL CONTROL OPTION (IX-0011) .....	14
TANK DRAIN OPTION (IX-0032) .....	16
LOW OIL SHUTDOWN (IX-0036) .....	17
STARTER INDUSTRIAL COMPRESSOR (IX-0013 THRU IX-0027) .....	18
DUAL OPTION CONTROL (IX-0030) .....	20
WIRING SCHEMATIC (230V SINGLE PHASE) M SERIES (AFTER SERIAL #20107354) .....	22
WIRING DIAGRAM (230V SINGLE PHASE) M SERIES (AFTER SERIAL #20107354) .....	23
WIRING SCHEMATIC DUAL CONTROL AND STARTER (230V SINGLE PHASE) (AFTER SERIAL #20107354) .....	24
WIRING DIAGRAM DUAL CONTROL AND STARTER (230V SINGLE PHASE) (AFTER SERIAL #20107354) .....	25
WIRING SCHEMATIC LOW OIL SHUTDOWN AND STARTER (230V SINGLE PHASE) .....	26
WIRING DIAGRAM LOW OIL SHUTDOWN AND STARTER (230V SINGLE PHASE) .....	27
WIRING SCHEMATIC STARTER (230V SINGLE PHASE) .....	28
WIRING DIAGRAM STARTER (230V SINGLE PHASE) .....	29
WIRING SCHEMATIC (200-230V THREE PHASE) M SERIES (AFTER SERIAL #20107354) .....	30
WIRING DIAGRAM (200-230V THREE PHASE) M SERIES (AFTER SERIAL #20107354) .....	31
WIRING SCHEMATIC DUAL CONTROL AND STARTER (200-230V THREE PHASE) (AFTER SERIAL #20107354) .....	32
WIRING DIAGRAM DUAL CONTROL AND STARTER (200-230V SINGLE PHASE) (AFTER SERIAL #20107354) .....	33
WIRING SCHEMATIC LOW OIL SHUTDOWN AND STARTER (200-230V THREE PHASE) .....	34
WIRING DIAGRAM LOW OIL SHUTDOWN AND STARTER (200-230V THREE PHASE) .....	35
WIRING SCHEMATIC STARTER (200-230V THREE PHASE) .....	36
WIRING DIAGRAM STARTER (200-230V THREE PHASE) .....	37
WIRING SCHEMATIC (460V THREE PHASE) M SERIES (AFTER SERIAL #20107354) .....	38
WIRING DIAGRAM (460V THREE PHASE) M SERIES (AFTER SERIAL #20107354) .....	39
WIRING SCHEMATIC DUAL CONTROL AND STARTER (460V THREE PHASE) (AFTER SERIAL #20107354) .....	40
WIRING DIAGRAM DUAL CONTROL AND STARTER (460V THREE PHASE) (AFTER SERIAL #20107354) .....	41
WIRING SCHEMATIC LOW OIL SHUTDOWN AND STARTER (460V THREE PHASE) .....	42
WIRING DIAGRAM LOW OIL SHUTDOWN AND STARTER (460V THREE PHASE) .....	43
WIRING SCHEMATIC STARTER (460V THREE PHASE) .....	44
WIRING DIAGRAM STARTER (460V THREE PHASE) .....	45

---

**NOTES**

---

SERIAL NUMBER BREAK

DATE

REASON

#20107354

10/05/2009

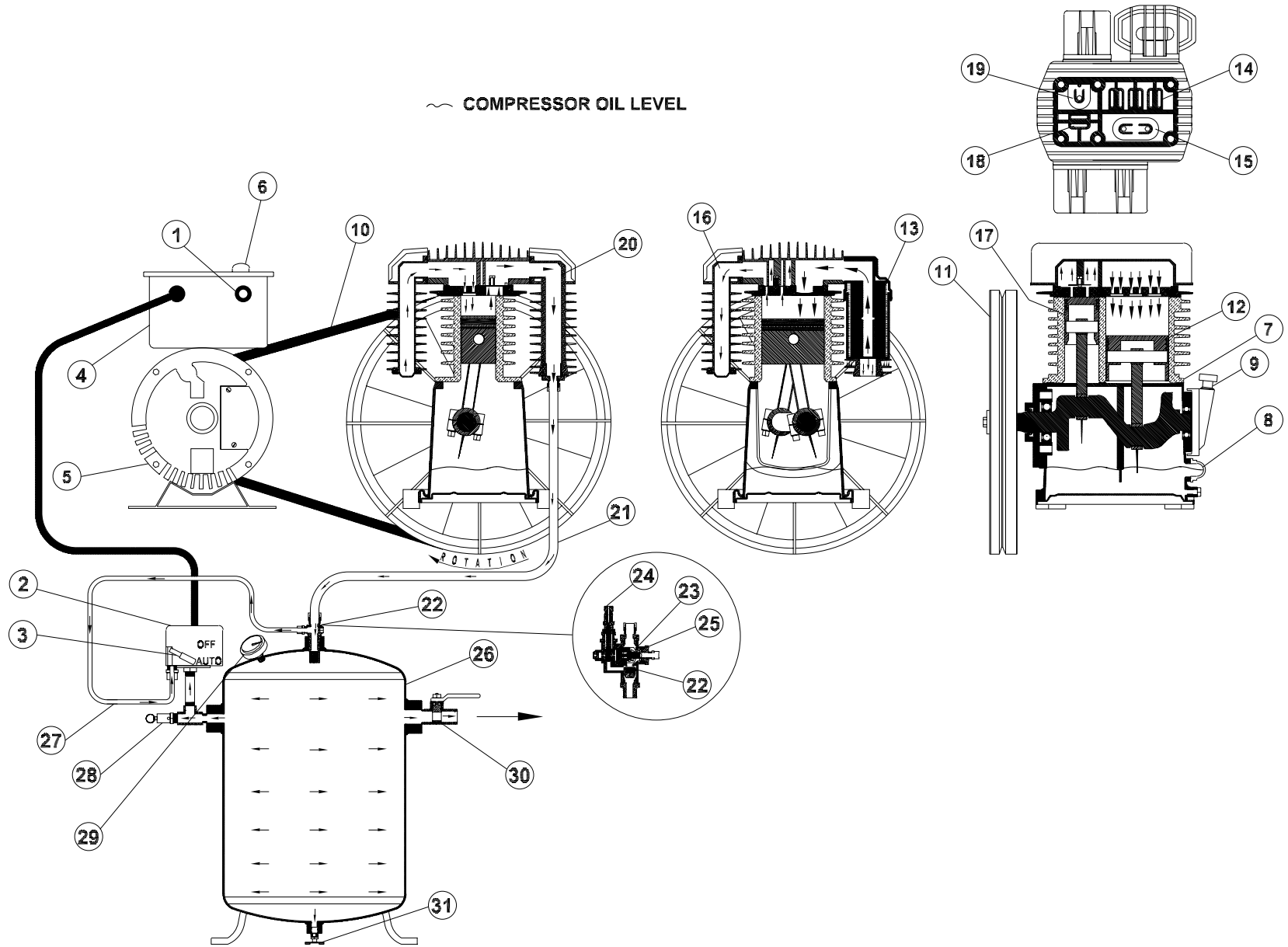
WIRING CHANGE DUE TO SWITCH

## SPECIFICATIONS

MODEL NUMBER	ADS-23110-120HM	ADS-20310-120HM	ADS-23310-120HM	ADS-46310-120HM
<b>MOTOR:</b>				
Horsepower	10HP	10HP	10HP	10HP
Voltage	230V	200V	230V	460V
Amperage	39.0A	30.8A	26.8A	13.4A
HZ	60	60	60	60
Phase	1	3	3	3
RPM	1750			
<b>Compressor Pump:</b>				
Number of Cylinders	2			
Compression Stages	2			
First Stage Bore	3.15			
Second Stage Bore	3.93			
Stroke	2.76			
RPM	1050			
Flywheel	16.5"			
Lubrication	Splash			
Oil Capacity	80 oz.			
Oil Type	30 W Non Detergent			
Crankcase	Cast Iron			
Bearings	Ball			
Cylinder	Cast Iron			
Valves	Reed			
Head	Cast Iron			
Filter	Canister			
<b>AIR TANK:</b>				
Capacity	120 gallons			
<b>PERFORMANCE:</b>				
CFM Air Displacement	38.7			
CFM @ 40 PSI	37.1			
CFM @ 100 PSI	35.7			
CFM @ 175 PSI	34.2			
Maximum Pressure	175 PSI			
Pump-up Time: 0-175 PSI	6 minutes and 17 seconds			
Recovery Time: 145-175 PSI	63 seconds			
<b>WEIGHT:</b>				
Net	825 lbs			
Shipping	885 lbs			
<b>DIMENSIONS:</b>				
Basic L x W x H	74" x 26.5" x 58"			
Shipping L x W x H	80.5" x 37.5" x 58"			

# FLOW CHART

~ COMPRESSOR OIL LEVEL

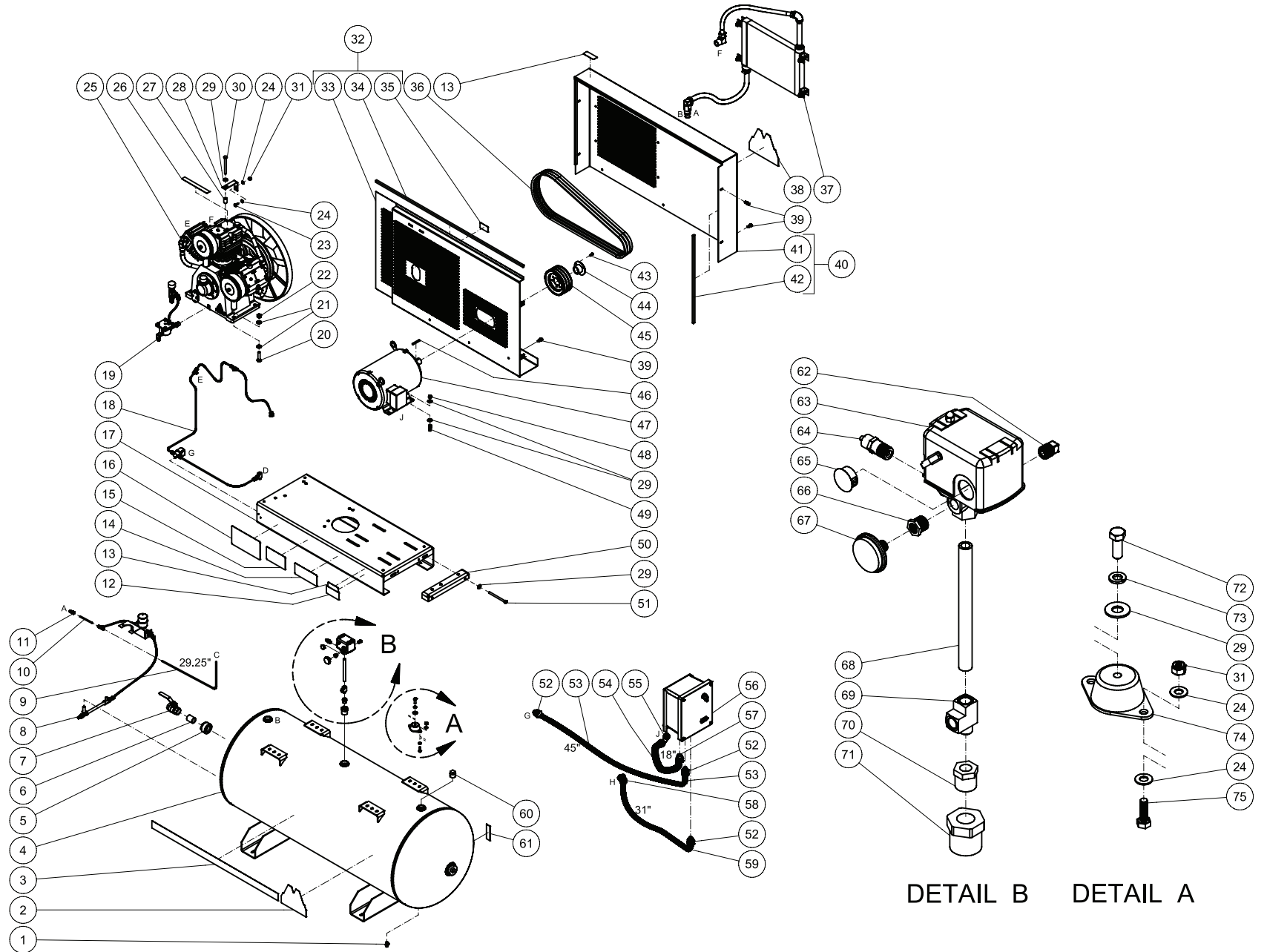


OMAC0061A-051399-RD

## GENERAL THEORY OF OPERATION

1. The POWER SUPPLY (1) sends the electrical supply to the PRESSURE SWITCH (2). When the PRESSURE SWITCH LEVER (3) is in the "AUTO" position, power is supplied to the CONTACTOR (4) which starts the ELECTRIC MOTOR (5) which is protected from electrical overloads by the MANUAL RESET BUTTON (6).
2. The COMPRESSOR PUMP (7) is lubricated by oil. The oil level should be checked before each use by viewing the COMPRESSOR PUMP OIL SIGHTGLASS (8). If the oil level is low, add SAE-30W non-detergent oil to the COMPRESSOR PUMP OIL FILL PORT (9).
3. When the unit is operating, the V-BELT (10) turns the COMPRESSOR PUMP FLYWHEEL (11) which rotates the crankshaft and moves the pistons.
4. As the FIRST STAGE PISTON (12) moves down, air is drawn in through the INLET AIR FILTER (13). Then through the FIRST STAGE INLET REED VALVE (14) and into the first stage piston chamber. At the same time, the FIRST STAGE OUTLET REED VALVE (15) is closed. This allows air to fill the first stage piston chamber.
5. As the FIRST STAGE PISTON (12) moves upward, the FIRST STAGE INLET REED VALVE (14) closes. The FIRST STAGE OUTLET REED VALVE (15) opens allowing the compressed air to flow into the INTERCOOLER (16) and into the second stage.
6. As the SECOND STAGE PISTON (17) moves down, the first stage compressed air is drawn in through the SECOND STAGE INLET REED VALVES (18) and into the second stage piston chamber. At the same time, the SECOND STAGE OUTLET REED VALVES (19) is closed.
7. As the SECOND STAGE PISTON (17) moves upward, the SECOND STAGE INLET REED VALVES (18) closes. The SECOND STAGE OUTLET REED VALVES (19) opens allowing the compressed air to flow into the AFTERCOOLER (20) and DISCHARGE LINE (21).
- 8a. STANDARD START/STOP FEATURE:
  1. The compressed air opens the CHECK VALVE (22) and moves into the AIR TANK (26). When the pressure in the AIR TANK (26) reaches the maximum pressure setting of the PRESSURE SWITCH (2), the ELECTRIC MOTOR (5) stops and the CHECK VALVE (22) will close.
  2. The pressurized air remaining in the PUMP DISCHARGE LINE (21) exits through the PRESSURE SWITCH BLEND-OFF LINE (27) so the ELECTRIC MOTOR (5) can restart under a no-load condition.
- 8b. OPTIONAL DUAL CONTROL FEATURE:
  1. This feature consists of a PILOT CONTROL VALVE (23) which has an ADJUSTING KNOB (24) with two positions.
    - a. Start/Stop Position: Turn the ADJUSTING KNOB (24) completely clockwise to the closed position. Air compressor will operate as described in the Start/Stop Feature as explained above.
    - b. Constant Run Position: Turn the ADJUSTING KNOB (24) completely counterclockwise to the open position. The compressed air opens the CHECK VALVE (22) and moves into the AIR TANK (26). When the pressure in the AIR TANK (26) reaches the maximum pressure setting of the PILOT CONTROL VALVE (23), the excess air exits the PILOT VALVE MUFFLER (25) and the CHECK VALVE (22) will close. Since the relief setting on the PILOT CONTROL VALVE (23) is lower than the maximum pressure setting on the PRESSURE SWITCH (2) the ELECTRIC MOTOR (5) will continue running. This feature is very useful under low voltage conditions, when motor starting can trip the circuit breaker (fuse).
9. The SAFETY RELIEF VALVE (28) protects the system from any overpressure conditions.
10. The TANK PRESSURE GAUGE (29) indicates tank pressure. The air exits through the OUTLET FITTING (30).
11. The PRESSURE SWITCH LEVER (3) stops the ELECTRIC MOTOR (5) when moved to the "OFF" position.
12. When the PRESSURE SWITCH LEVER (3) is in the "OFF" position, compressed air should be released from the AIR TANK (26) by opening the attached air tool or by pulling on the SAFETY RELIEF VALVE (28). When the TANK PRESSURE GAUGE (29) registers less than 10 PSI, drain the condensation from the AIR TANK (26) by opening the TANK DRAIN (31).

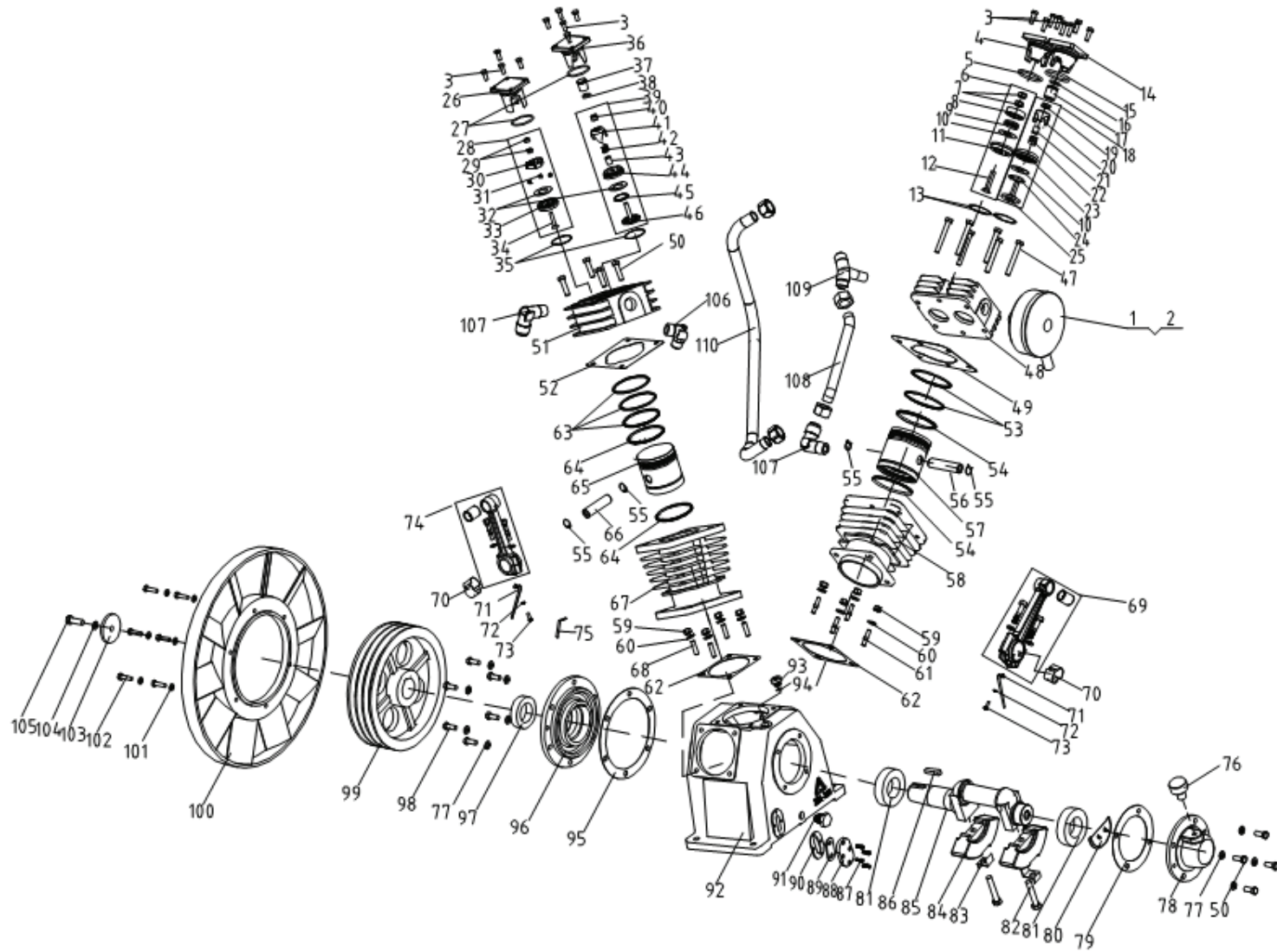
# ADS 120 GAL HORIZONTAL M SERIES



ADS 120 HORIZONTAL M SERIES 062810 P/JH

ADS 120 HORIZONTAL M SERIES							
ITEM	DESCRIPTION	PART #	QTY	ITEM	DESCRIPTION	PART #	QTY
1	PETCOCK	23-0312	1	41	BELTGUARD FRONT (SEE 854-0099)	6-0132A01	1
2	DECAL - Mi-T-M	34-2170	1	42	EDGING *(TWO FEET REQUIRED)	33-0020	2
3	DECAL Mi-T-M STRIPE	34-2282	1	43	BOLT	27-0015	3
4	TANK ASSEMBLY	12-0201A01	1	44	BUSHING	9-0090	1
5	REDUCER	24-0233	1	45	SHEAVE	10-0146	1
6	NIPPLE	T24-0200	1	46	KEY	43-0078	1
7	BALL VALVE	22-0344	1	47	MOTOR (ADS-23110-120HM)	2-0174	1
8	TANK DRAIN OPTION	IX-0032	1	-	MOTOR (ADS-20310-120HM)	2-0165	1
9	COPPER TUBING *(THREE FEET REQUIRED)	54-0034	1	-	MOTOR (ADS-23310-120HM, ADS-46310-120HM)	2-0176	1
10	COPPER TUBE *(ONE FOOT REQUIRED)	54-0034	1	48	LOCKNUT	30-0159	4
11	ADAPTER	23-0328	1	49	BOLT	27-0118	4
12	DECAL- SILVER STICKER	N/A	1	50	BELT TENSIONER PLATE	20-1030A01	1
13	DECAL - RISK OF BURNS (SEE 34-9048)	N/A	2	51	BOLT	27-0133	2
14	DECAL - OPERATING INSTRUCTIONS (SEE 34-9048)	N/A	1	52	CONDUIT FITTING	32-0255	3
15	DECAL - MAINTENANCE INSTRUCTIONS (SEE 34-9048)	N/A	1	53	CONDUIT *(FOUR FEET REQUIRED)	32-0253	1
16	DECAL - CAUTION/WARNING/DANGER (SEE 34-9048)	N/A	1	54	CONDUIT *(TWO FEET REQUIRED)	32-0486	1
17	BASEPLATE	5-0282A01	1	55	CONDUIT ELBOW	32-0487	1
18	DUAL CONTROL OPTION (ADS-23110-120HM, ADS-20310-120HM, ADS-23310-120HM)	IX-0011	1	56	STARTER - INDUSTRIAL COMPRESSOR (ADS-23110-120HM)	IX-0021	1
-	DUAL CONTROL OPTION (ADS-46310-120HM)	IX-0030		-	STARTER - INDUSTRIAL COMPRESSOR (ADS-20310-120HM)	IX-0022	1
19	LOW OIL SHUTDOWN OPTION	IX-0036	1	-	STARTER - INDUSTRIAL COMPRESSOR (ADS-23310-120HM)	IX-0023	1
20	BOLT	27-0220	4	-	STARTER - INDUSTRIAL COMPRESSOR (ADS-46310-120HM)	IX-0024	1
21	WASHER	28-0006	8	57	CONDUIT STRAIGHT	32-0488	1
22	NUT	30-0163	4	58	CONDUIT ELBOW	32-0254	1
23	BOLT	27-0066	2	59	CONDUIT *(THREE FEET REQUIRED)	32-0253	1
24	WASHER	28-0003	20	60	PLUG	24-0219	1
25	PUMP	3-0313	1	61	DECAL - TANK DRAIN (SEE 34-9048)	N/A	2
26	DECAL - CHECK OIL (SEE 34-9048)	N/A	1	62	PLUG	24-0009	1
27	SPACER	33-0425	2	63	PRESSURE SWITCH	22-0416	1
28	BELTGUARD STABILIZER	20-1032A01	2	64	PRESSURE RELIEF VALVE	22-0267	1
29	WASHER	28-0023	16	65	PLUG	39-0014	1
30	BOLT	27-8071	2	66	REDUCER	23-0111	1
31	LOCKNUT	30-0157	10	67	PRESSURE GAUGE	22-0271	1
32	BELTGUARD BACK ASSEMBLY (INC.33-35)	854-0100	1	68	NIPPLE	24-0315	1
33	BELTGUARD BACK	6-0131A01	1	69	TEE	23-0127	1
34	EDGING *(FOUR FEET REQUIRED)	33-0020	1	70	REDUCER	23-0056	1
35	DECAL - BELTGUARD IN PLACE (SEE 34-9048)	N/A	1	71	REDUCER	23-0226	1
36	BELT	11-0079	3	72	BOLT	27-0117	4
37	AFTERCOOLER OPTION	IX-0003	1	73	LOCKWASHER	29-0008	4
38	DECAL - #5M	34-2171	1	74	ISOLATOR	14-0109	4
39	BOLT	27-9524	10	75	BOLT	27-0067	8
40	BELTGUARD FRONT ASSEMBLY (INC. 41-42)	854-0101	1	76	DECAL SET	34-9048	1

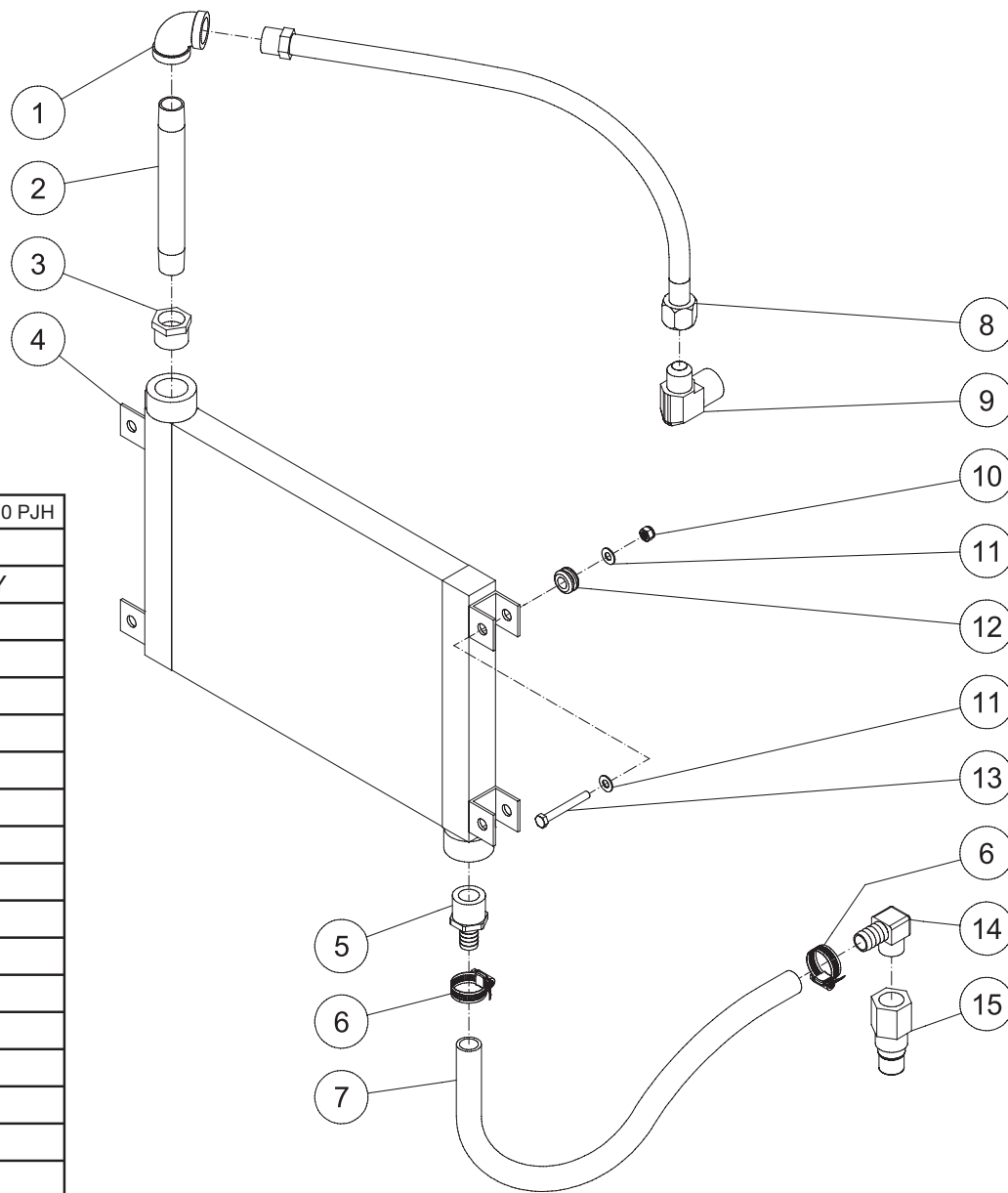
# COMPRESSOR PUMP (3-0313)



3-0313 122713-JDK

PUMP ASSEMBLY							
ITEM	DESCRIPTION	Mi-T-M #	QTY	ITEM	DESCRIPTION	Mi-T-M #	QTY
1	AIR STRAINER ASSEMBLY	19-0259	2	57	PISTON (1ST)	N/A	2
2	AIR STRAINER ELEMENT (NOT SHOWN)	19-0260	2	58	CYLINDER (1ST)	N/A	2
3	BOLT	N/A	16	59	NUT (1ST)	N/A	12
4	PUSH COVER (1ST)	N/A	2	60	WASHER (1ST)	N/A	12
5	O-RING (OUTLET VALVE-1ST)	25-0608	2	61	BOLT (1ST)	N/A	8
6	OUTLET VALVE ASSEMBLY (1ST)	8-0599	2	62	GASKET (SEE KIT 70-0531)	26-0337	3
7	NUT (OUTLET VALVE-1ST)	N/A	4	63	COMPRESSION RING (2ND)	N/A	3
8	RECEIVER (1ST)	N/A	2	64	OIL CONTROL RING (2ND)	N/A	2
9	SPRING (1ST)	N/A	2	65	PISTON (2ND)	N/A	1
10	PLATE (1ST)	N/A	4	66	PIN (2ND)	N/A	1
11	SEAT (1ST)	N/A	2	67	CYLINDER (2ND)	N/A	1
12	BOLT (1ST)	N/A	2	68	BOLT (1ST)	N/A	4
13	GASKET (1ST) (SEE KIT 70-0531)	26-0333	4	69	CONNECTING ROD ASSEMBLY (1ST)	N/A	2
14	PUSH COVER (1ST)	N/A	2	70	PIN (1ST)	N/A	6
15	O-RING (INLET VALVE-1ST)	25-0609	2	71	OIL SPLASH DIPPER	N/A	2
16	O-RING (UNLOADER-1ST)	25-0610	2	72	WASHER	N/A	3
17	PISTON (1ST)	46-1346	2	73	BOLT	N/A	3
18	INLET VALVE ASSEMBLY-1ST	8-0598	2	74	CONNECTING ROD ASSEMBLY (2ND)	N/A	1
19	LOCKNUT (INLET VALVE-1ST)	N/A	2	75	OIL SPLASH DIPPER	N/A	1
20	UNLOADER FORK (1ST)	N/A	2	76	BREATHER ASSEMBLY	46-1345	1
21	UNLOADER FORK GUIDE (1ST)	N/A	2	77	WASHER	N/A	10
22	SPRING (1ST)	N/A	2	78	COVER	N/A	1
23	SEAT (1ST)	N/A	2	79	GASKET (SEE KIT 70-0531)	26-0338	1
24	SPRING (1ST)	N/A	2	80	OIL BAFFLE	N/A	1
25	RECEIVER (1ST)	N/A	2	81	BEARING	N/A	2
26	PUSH COVER (2ND)	N/A	1	82	BOLT	N/A	2
27	O-RING (OUTLET VALVE-2ND)	25-0612	2	83	LOCKWASHER	N/A	2
28	OUTLET VALVE ASSEMBLY (2ND)	8-0601	1	84	COUNTERWEIGHT	N/A	2
29	NUT (OUTLET VALVE-2ND) (SEE KIT 8-0601)	SEE KIT	2	85	CRANKSHAFT	N/A	1
30	RECEIVER (2ND) (SEE KIT 8-0601)	SEE KIT	1	86	PIN	N/A	1
31	SPRING (2ND) (SEE KIT 8-0601)	SEE KIT	1	87	BOLT	27-8873	4
32	PLATE (2ND) (SEE KIT 8-0601)	SEE KIT	2	88	PUSH COVER	46-1562	1
33	SEAT (2ND) (SEE KIT 8-0601)	SEE KIT	1	89	SIGHT GLASS ASSEMBLY	46-1563	1
34	BOLT (2ND) (SEE KIT 8-0601)	SEE KIT	1	90	GASKET	26-0394	1
35	GASKET (2ND) (SEE KIT 70-0531)	26-0334	2	91	OIL PLUG	N/A	1
36	PUSH COVER (2ND)	N/A	1	92	CRANKCASE	N/A	1
37	PISTON (2ND)	46-1347	1	93	CAP	N/A	1
38	O-RING (UNLOADER-2ND)	25-0613	1	94	O-RING	N/A	1
39	INLET VALVE ASSEMBLY (2ND)	8-0600	1	95	GASKET (SEE KIT 70-0531)	26-0339	1
40	LOCKNUT (INLET VALVE-2ND) (SEE KIT 8-0600)	SEE KIT	1	96	COVER	N/A	1
41	UNLOADER FORK (2ND) (SEE KIT 8-0600)	SEE KIT	1	97	OIL SEAL	N/A	1
42	SPRING (2ND) (SEE KIT 8-0600)	SEE KIT	1	98	BOLT (1ST)	N/A	6
43	UNLOADER FORK GUIDE (2ND) (SEE KIT 8-0600)	SEE KIT	1	99	PULLEY	N/A	1
44	SEAT (2ND) (SEE KIT 8-0600)	SEE KIT	1	100	FAN	N/A	1
45	SPRING (2ND) (SEE KIT 8-0600)	SEE KIT	1	101	WASHER	N/A	6
46	RECEIVER (2ND) (SEE KIT 8-0600)	SEE KIT	1	102	BOLT	N/A	6
47	BOLT (1ST)	N/A	12	103	WASHER	N/A	1
48	CYLINDER HEAD (1ST)	N/A	2	104	WASHER	N/A	1
49	GASKET (1ST) (SEE KIT 70-0531)	26-0335	2	105	BOLT	N/A	1
50	BOLT (1ST)	N/A	8	106	JOINT	N/A	1
51	CYLINDER HEAD (2ND)	N/A	1	107	JOINT	N/A	2
52	GASKET (2ND) (SEE KIT 70-0531)	26-0336	1	108	PIPING ASSEMBLY	46-1348	1
53	COMPRESSION RING (1ST)	N/A	4	109	JOINT	N/A	1
54	OIL CONTROL RING (1ST)	N/A	4	110	PIPING ASSEMBLY - LONG	46-1349	1
55	SNAP RING (1ST)	N/A	6	-	GASKET KIT (INCLUDES #'S 13, 35, 49, 52, 62, 79, 95)	70-0531	1
56	PIN (1ST)	N/A	2				

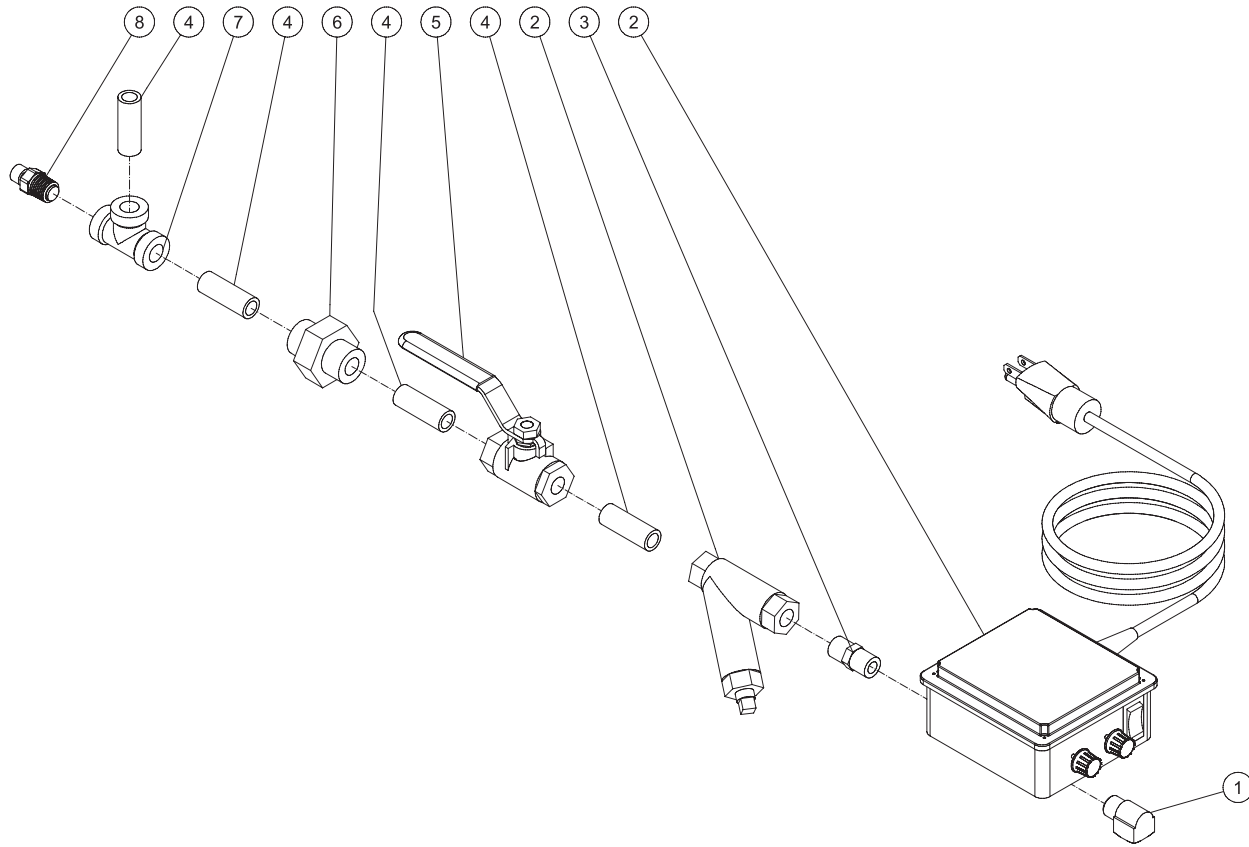
## AFTERCOOLER (IX-0003)



IX-0003 062910 PJH			
AFTERCOOLER			
ITEM	DESCRIPTION	Mi-T-M #	QTY
1	ELBOW	24-0102	1
2	NIPPLE	24-0207	1
3	REDUCER	23-0473	1
4	AFTERCOOLER	33-0488	1
5	BARB	23-0484	1
6	HOSE CLAMP	42-0018	2
7	HOSE *(TWO FEET REQUIRED)	15-0289	1
8	HOSE	15-0259	1
9	ELBOW	23-0472	1
10	LOCKNUT	30-0157	4
11	WASHER	28-0003	8
12	GROMMET	33-0001	4
13	BOLT	27-0073	4
14	BARB	23-0482	1
15	CHECK VALVE	22-0447	1
*MUST ORDER IN ONE FOOT LENGTHS			

IX-0003 062910 PJH

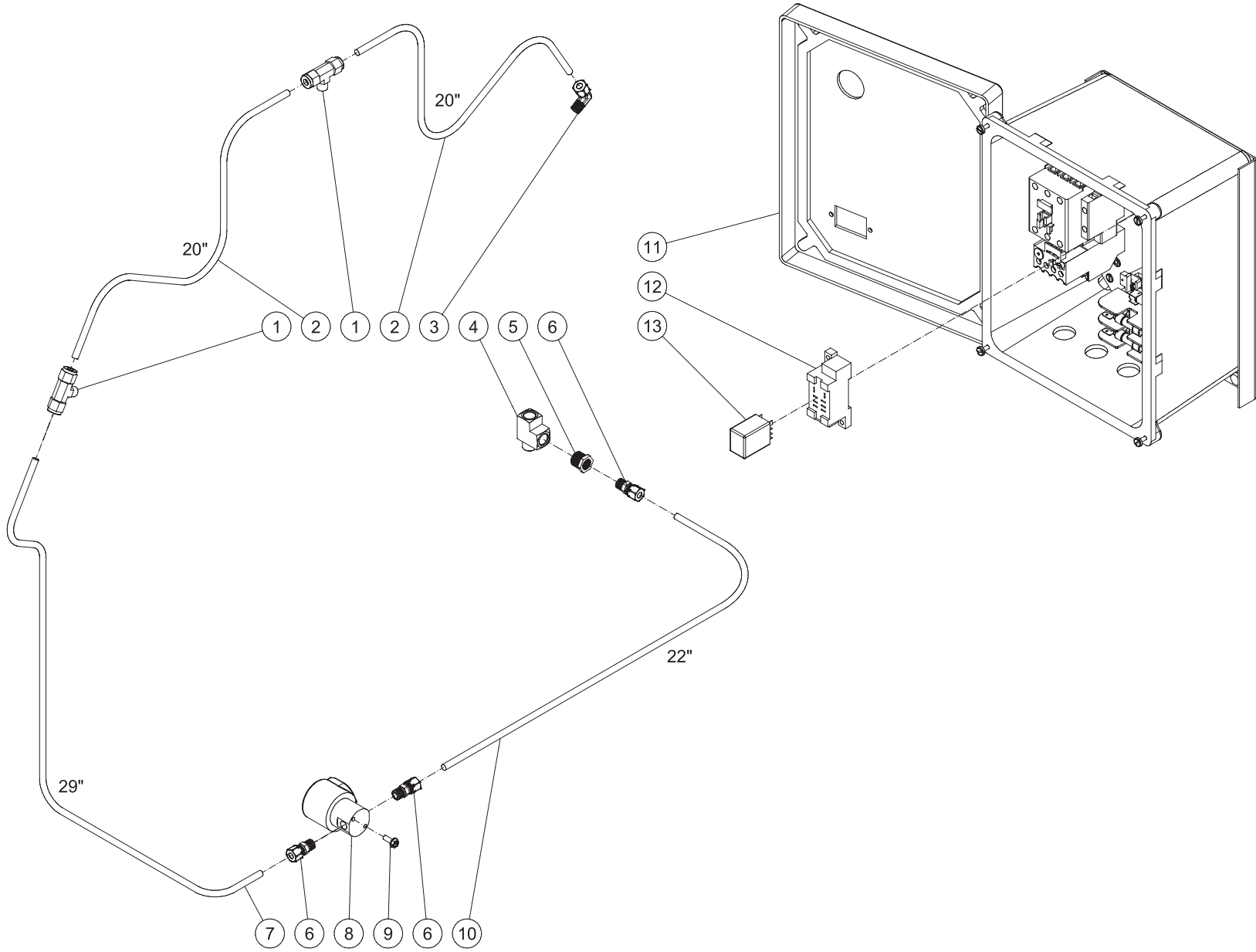
## ELECTRIC TANK DRAIN (IX-0006)



IX-0006 102708-PJH			
ELECTRIC TANK DRAIN			
REF #	DESCRIPTION	PART #	QTY
1	ELBOW	23-0014	1
2	ELECTRIC DRAIN	AT-4012-J	1
3	NIPPLE	23-0103	1
4	NIPPLE	24-0313	4
5	BALL VALVE	22-0002	1
6	UNION	24-0317	1
7	TEE	23-0067	1
8	PETCOCK	23-0312	1

IX-0006 102708 PJH

### DUAL CONTROL OPTION (IX-0011)

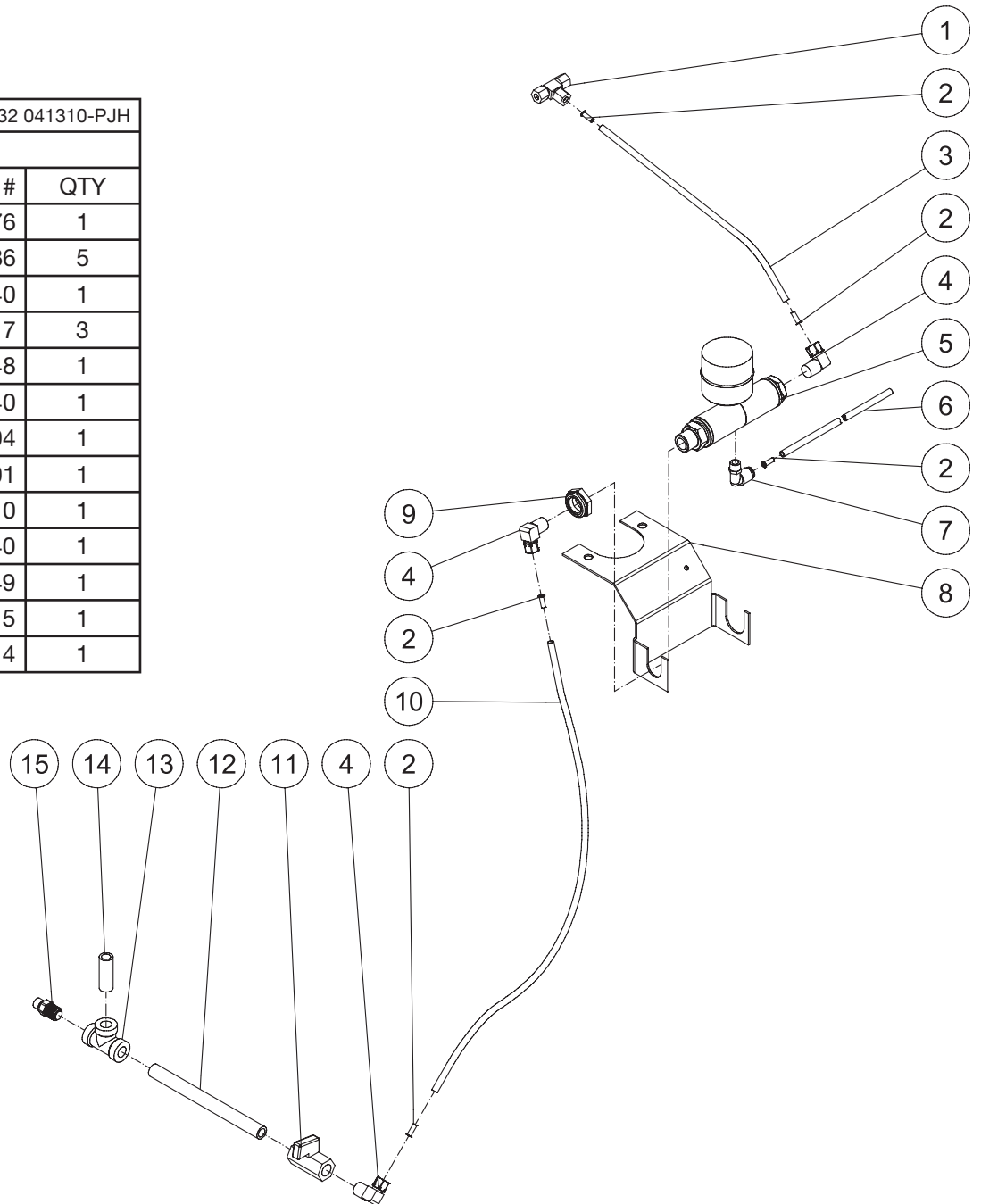


IX-0011 091109 PJH

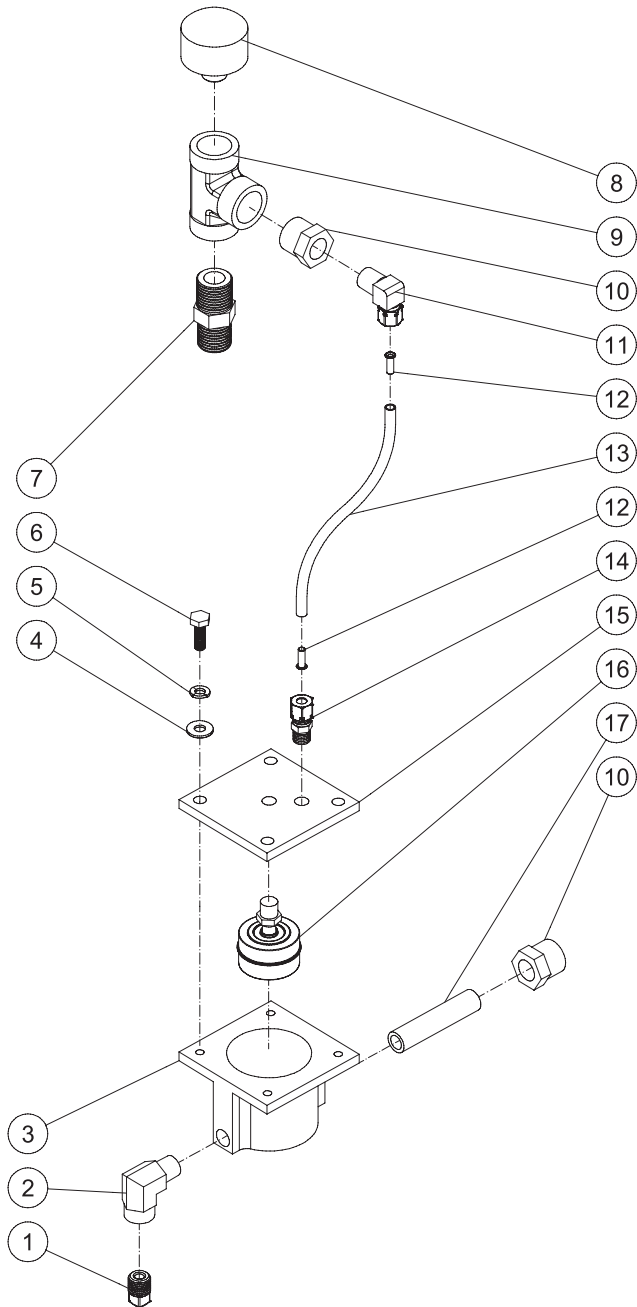
IX-0011 091109 PJH			
DUAL CONTROL OPTION			
ITEM	DESCRIPTION	Mi-T-M #	QTY
1	TEE	23-0475	2
2	COPPER TUBING *(TWO FEET REQUIRED)	54-0034	2
3	ELBOW	23-0316	1
5	REDUCER	23-0111	1
4	TEE	23-0127	1
7	COPPER TUBING *(THREE FEET REQUIRED)	54-0034	1
6	ADAPTER	23-0328	3
8	SOLENOID	22-0439	1
9	BOLT	27-8389	2
10	COPPER TUBING *(TWO FEET REQUIRED)	54-0034	1
11	STARTER OPTION	N/A	1
12	SOCKET	32-0321	1
13	RELAY	32-1005	1
*MUST ORDER IN ONE FOOT LENGTHS			

## TANK DRAIN OPTION (IX-0032)

IX-0032 041310-PJH			
TANK DRAIN OPTION			
ITEM	DESCRIPTION	Mi-T-M #	QTY
1	TEE	23-0476	1
2	TUBE SUPPORT	23-0486	5
3	HOSE *(ONE FOOT REQUIRED)	15-0240	1
4	ADAPTER	23-0417	3
5	PNEUMATIC DRAIN	22-0448	1
6	HOSE *(THREE FEET REQUIRED)	15-0240	1
7	ELBOW	55-0104	1
8	BRACKET	13-0197A01	1
9	NUT	30-0210	1
10	HOSE *(TWO FEET REQUIRED)	15-0240	1
11	BALL VALVE	22-0449	1
12	NIPPLE	24-0315	1
13	ELBOW	23-0014	1



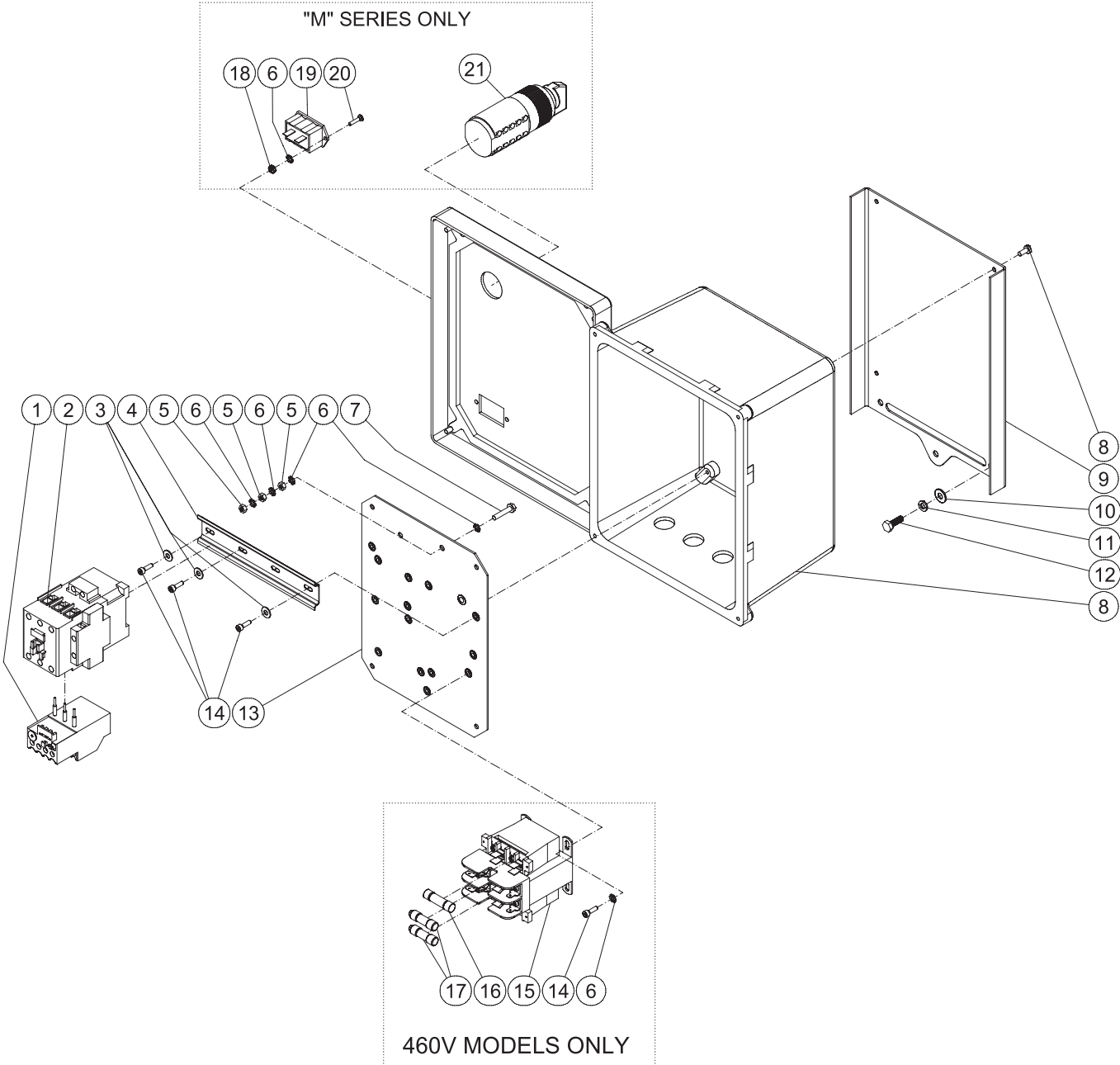
## LOW OIL SHUTDOWN (IX-0036)



IX-0036 012610-PJH			
LOW OIL SHUTDOWN			
ITEM	DESCRIPTION	Mi-T-M #	QTY
1	PLUG	24-0009	1
2	ELBOW	24-0021	1
3	OIL CANISTER	56-0062	1
4	WASHER	28-0002	4
5	LOCKWASHER	29-0006	4
6	BOLT	27-0015	4
7	NIPPLE	24-0031	1
8	BREATHER (W/ PUMP)	N/A	1
9	TEE	24-0055	1
10	REDUCER	24-0053	2
11	ADAPTER	23-0417	1
12	TUBE SUPPORT	23-0486	2
13	HOSE *(ONE FOOT REQUIRED)	15-0240	1
14	ADAPTER	23-0328	1
15	LID	56-0063	1
16	FLOAT	32-0998	1
17	NIPPLE	24-0314	1

IX-0036 012610 PJH

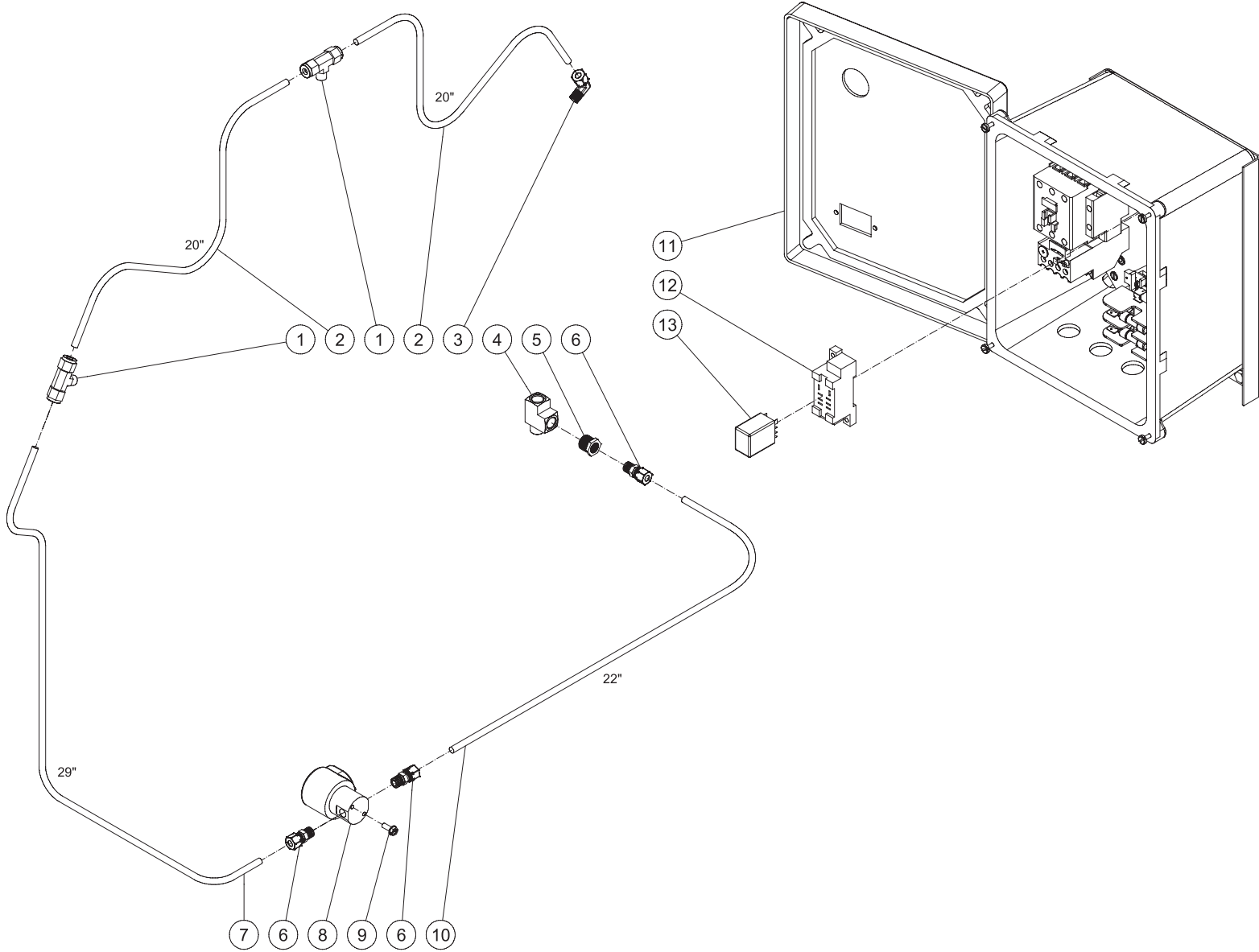
# STARTER INDUSTRIAL COMPRESSOR (IX-0013 THRU IX-0027)



IX-0013 THRU IX-0027 071610 P.JH

IX-0013 THRU IX-0027 071610-PJH			
STARTER INDUSTRIAL COMPRESSOR			
ITEM	DESCRIPTION	Mi-T-M #	QTY
1	OVERLOAD RELAY (IX-0013, IX-0018)	32-1076	1
-	OVERLOAD RELAY (IX-0014, IX-0019, IX-0027)	32-1075	1
-	OVERLOAD RELAY (IX-0015, IX-0024)	32-0482	1
-	OVERLOAD RELAY (IX-0016, IX-0020)	32-0481	1
-	OVERLOAD RELAY (IX-0017, IX-0022, IX-0026)	32-0485	1
-	OVERLOAD RELAY (IX-0021, IX-0025)	32-0490	1
-	OVERLOAD RELAY (IX-0023)	32-1074	1
2	CONTACTOR - 30AMP (IX-0013, IX-0018, IX-0023)	32-0945	1
-	CONTACTOR - 30AMP (IX-0014, IX-0019)	32-0235	1
-	CONTACTOR - 30AMP (IX-0015)	32-0237	1
-	CONTACTOR - 30AMP (IX-0016, IX-0020, IX-0024)	32-0327	1
-	CONTACTOR - 30AMP (IX-0017, IX-0022, IX-0026)	32-0232	1
-	CONTACTOR - 30AMP (IX-0021, IX-0025)	32-0700	1
-	CONTACTOR - 30AMP (IX-0027)	32-0329	1
3	WASHER	28-0001	3
4	DIN RAIL *(ONE FOOT REQUIRED)	32-0316	1
5	NUT	30-6001	3
6	STAR WASHER	28-1009	8
7	BOLT	27-8807	1
8	ELECTRIC BOX	32-079901	1
9	MOUNTING PLATE	20-1037A01	1
10	WASHER	28-0002	3
11	LOCKWASHER	29-0006	3
12	BOLT	27-0015	3
13	CONTROL PANEL	20-0723A06	1
14	SCREW	27-8835	5
15	TRANSFORMER	32-0313	1
16	FUSE	32-0323	1
17	FUSE	32-0467	2
18	NUT	30-0052	2
19	HOUR METER	32-0668	1
20	SCREW	27-8881	2
21	CAM SWITCH	32-1021	1
* MUST ORDER IN ONE FOOT LENGTHS			

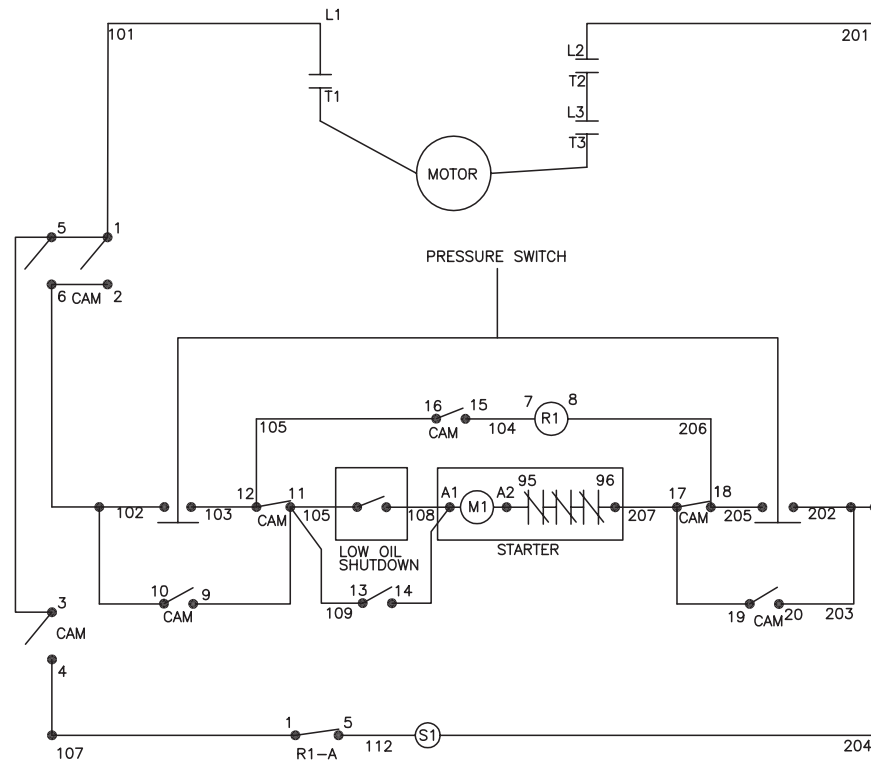
# DUAL OPTION CONTROL (IX-0030)



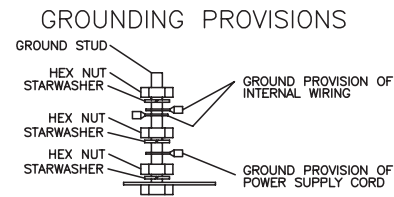
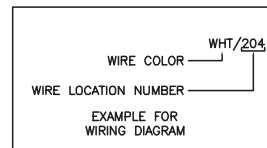
IX-0030 041310 P.JH

IX-0030 041310 PJH			
DUAL OPTION CONTROL			
ITEM	DESCRIPTION	Mi-T-M #	QTY
1	TEE	23-0475	2
2	COPPER TUBING *(TWO FEET REQUIRED)	54-0034	2
3	ELBOW	23-0316	1
4	TEE	23-0127	1
5	REDUCER	23-0111	1
6	ADAPTER	23-0328	3
7	COPPER TUBING *(THREE FEET REQUIRED)	54-0034	1
8	SOLENOID	22-0438	1
9	BOLT	27-8389	2
10	COPPER TUBING *(TWO FEET REQUIRED)	54-0034	1
11	STARTER OPTION	N/A	1
12	SOCKET	32-0321	1
13	RELAY	32-0320	1
*MUST ORDER IN ONE FOOT LENGTHS			

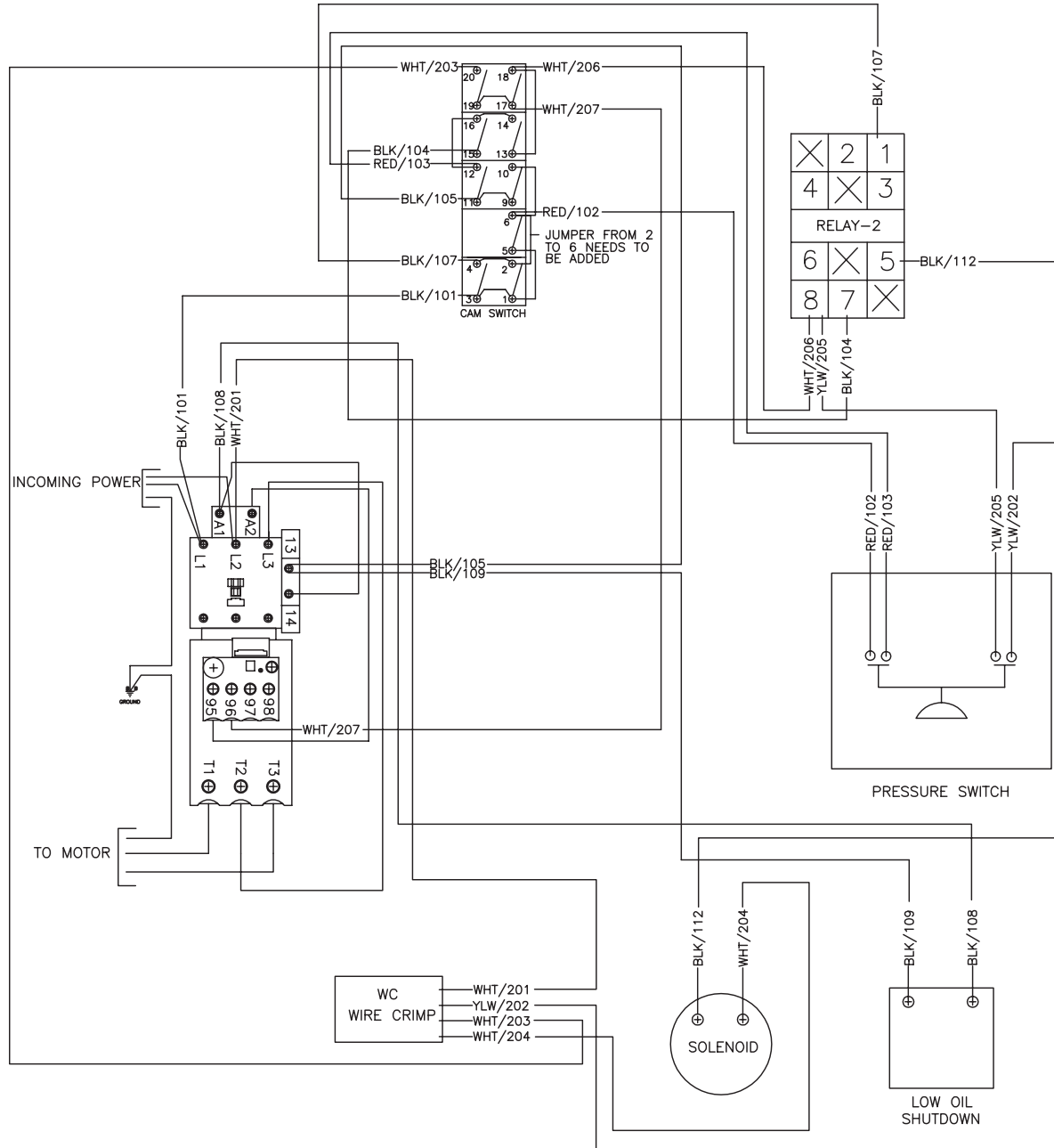
# WIRING SCHEMATIC (230V SINGLE PHASE) M SERIES (AFTER SERIAL #20107354)



NOTES:  
 1) ALL WIRES ARE 16GA UNLESS OTHERWISE SPECIFIED

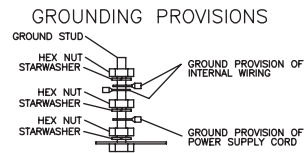
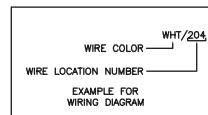
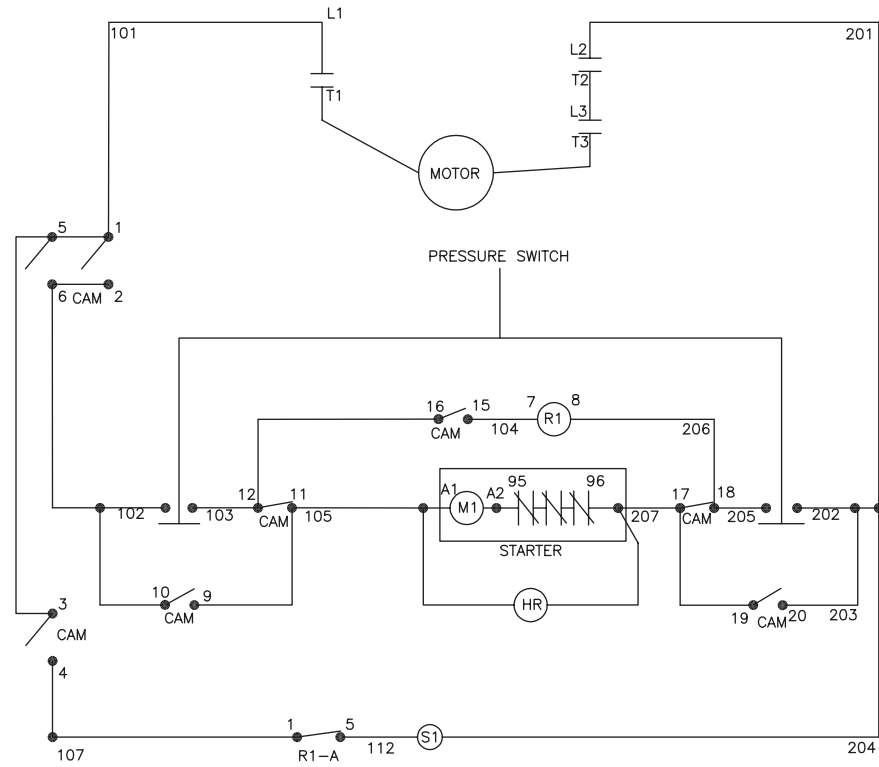


# WIRING DIAGRAM (230V SINGLE PHASE) M SERIES (AFTER SERIAL #20107354)



WIRING DIAGRAM 200-230V Single Phase 100509

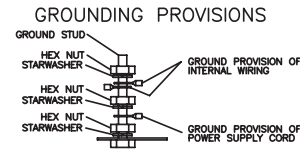
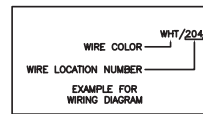
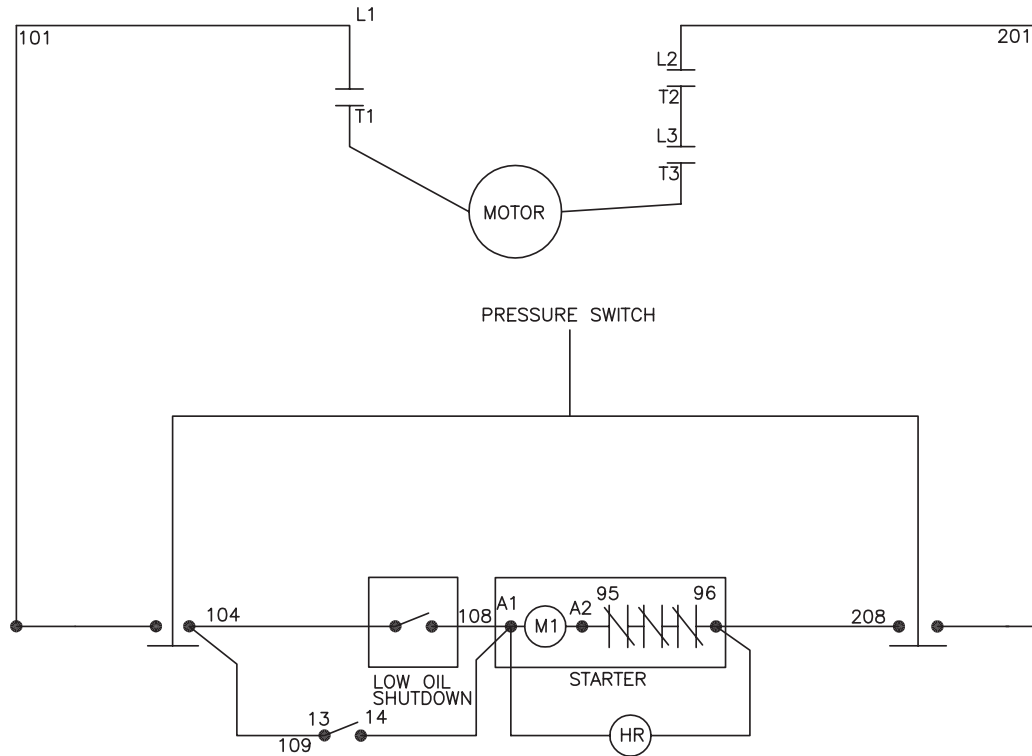
# WIRING SCHEMATIC DUAL CONTROL AND STARTER (230V SINGLE PHASE) (AFTER SERIAL #20107354)



WIRING SCHEMATIC DUAL CONTROL AND STARTER 230V SINGLE PHASE 050411

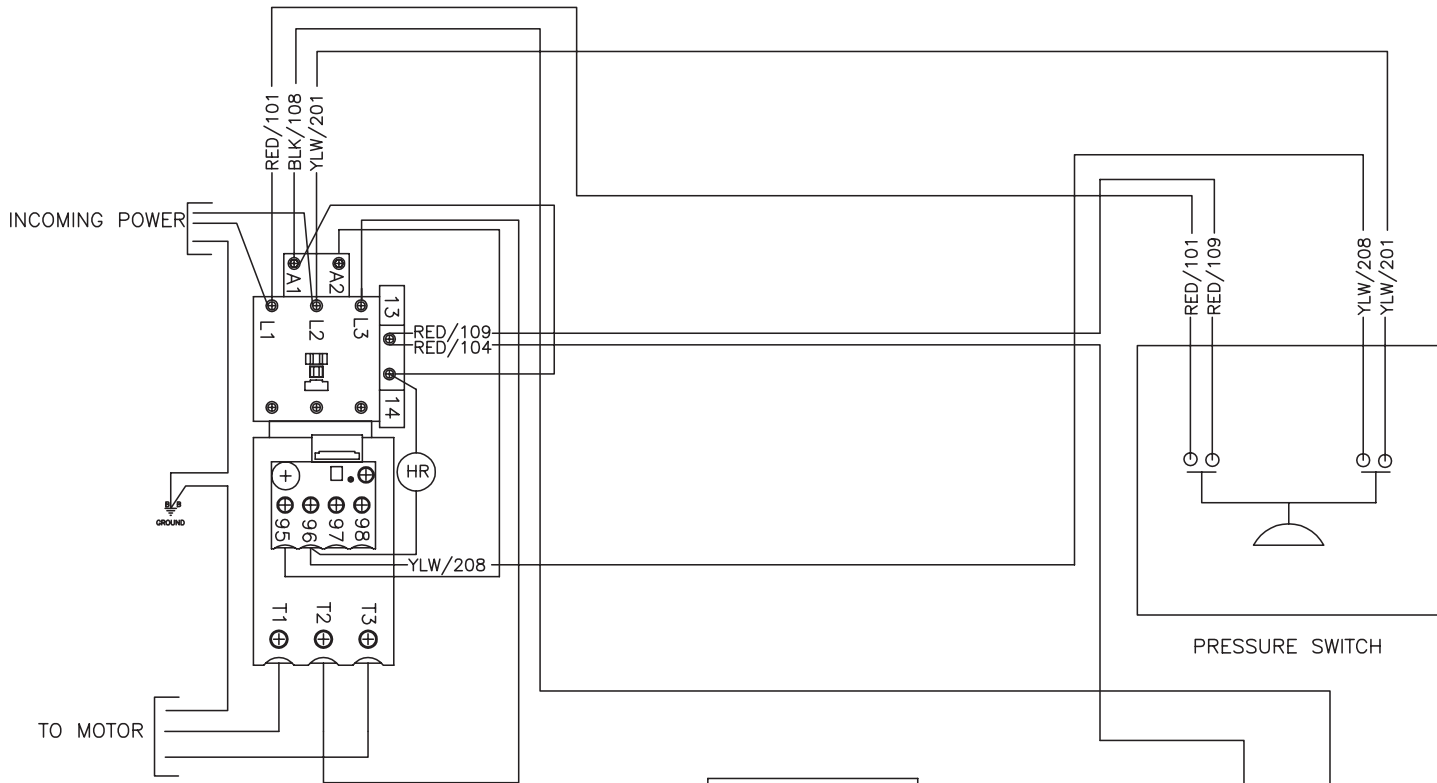


# WIRING SCHEMATIC LOW OIL SHUTDOWN AND STARTER (230V SINGLE PHASE)



WIRING SCHEMATIC LOW OIL SHUTDOWN AND STARTER 230V SINGLE PHASE 050411

# WIRING DIAGRAM LOW OIL SHUTDOWN AND STARTER (230V SINGLE PHASE)

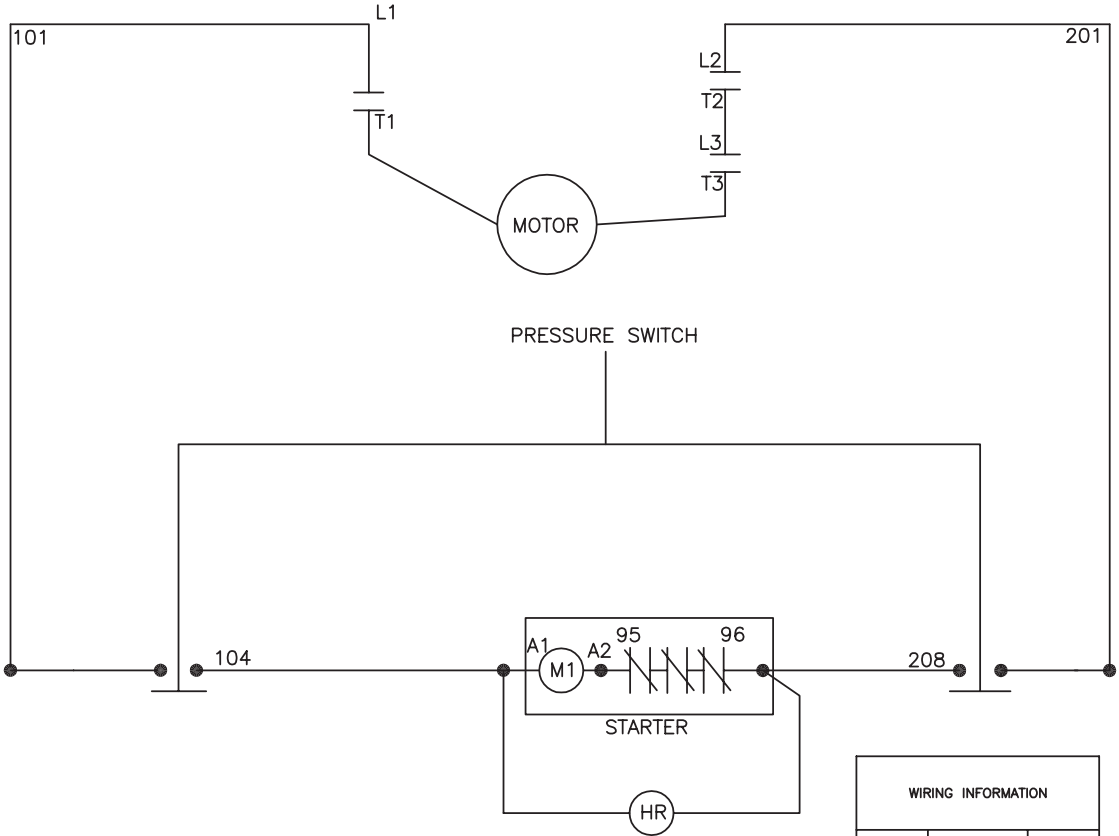


NOTES:  
 1) ALL WIRES ARE 16GA UNLESS OTHERWISE SPECIFIED

WIRING INFORMATION		
HP	VOLTAGE	WIRE SIZE
5	230	10
7.5	230	8
10	230	8

WIRING DIAGRAM LOW OIL SHUTDOWN AND STARTER 230V SINGLE PHASE 050411

# WIRING SCHEMATIC STARTER (230V SINGLE PHASE)

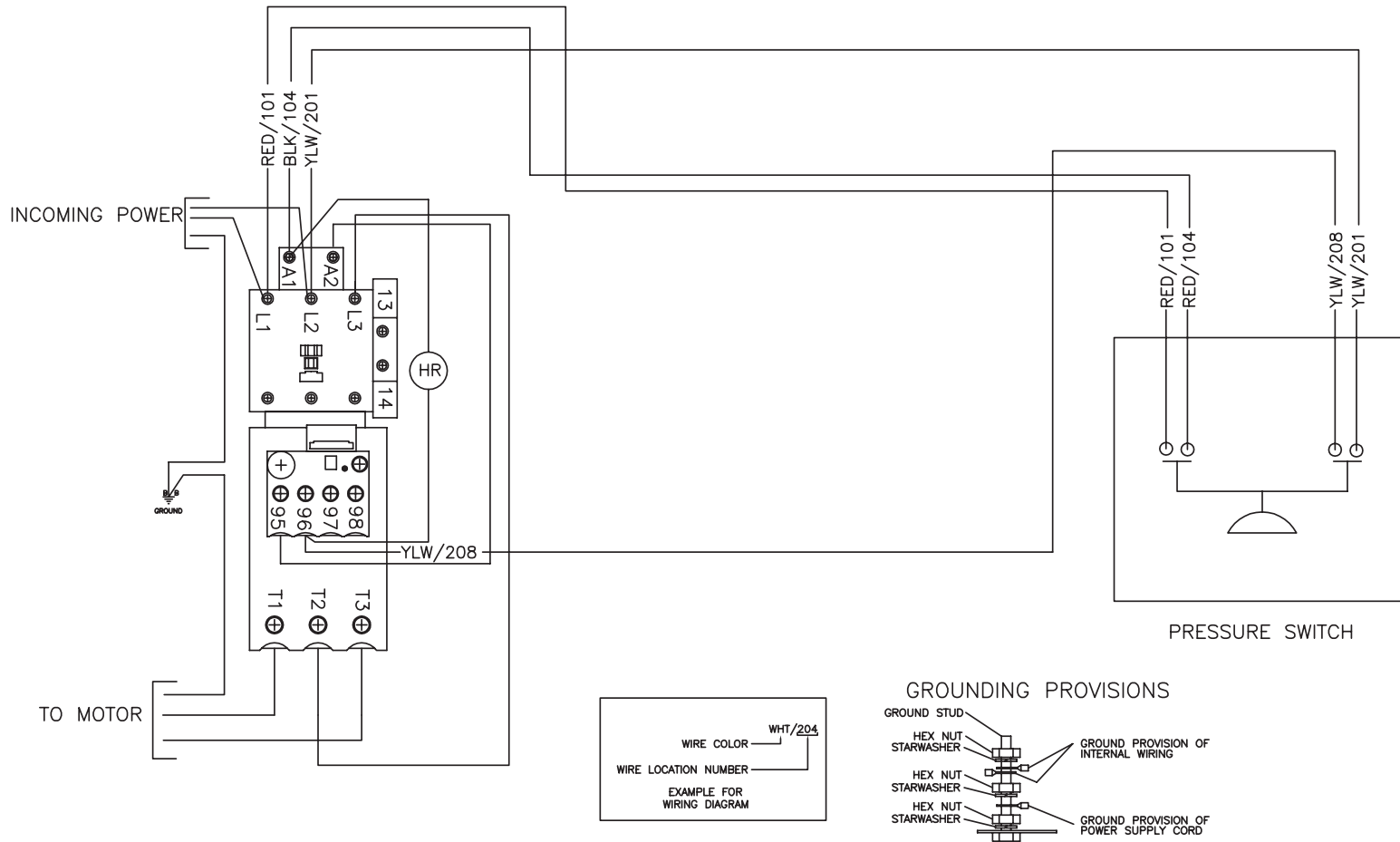


NOTES:  
 1) ALL WIRES ARE 16GA UNLESS OTHERWISE SPECIFIED

WIRING INFORMATION		
HP	VOLTAGE	WIRE SIZE
5	230	10
7.5	230	8
10	230	8

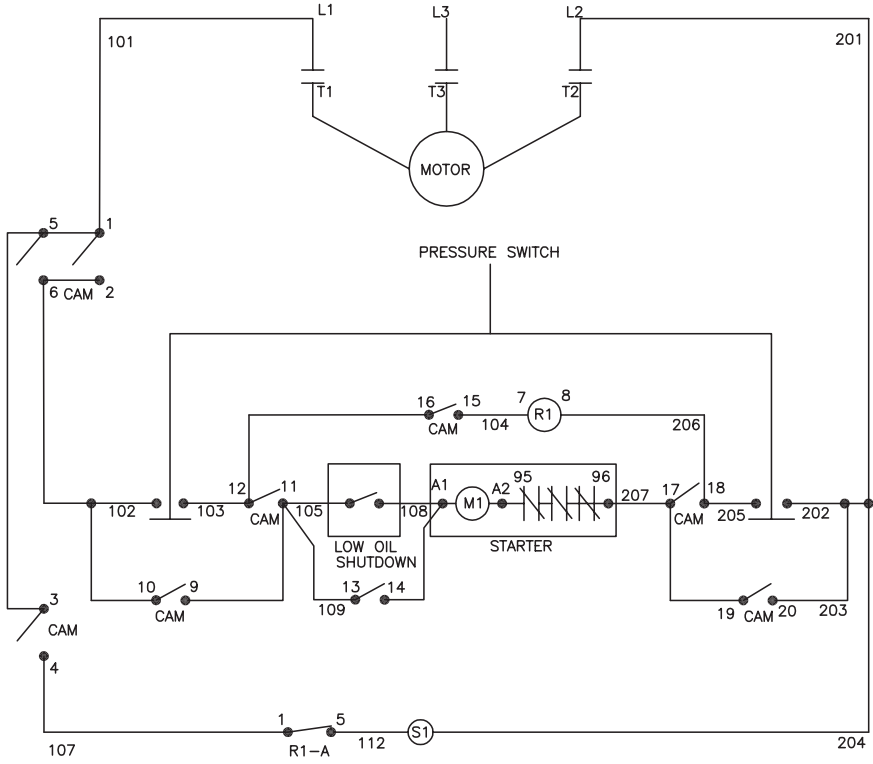
WIRING SCHEMATIC STARTER 230V SINGLE PHASE 050411

# WIRING DIAGRAM STARTER (230V SINGLE PHASE)

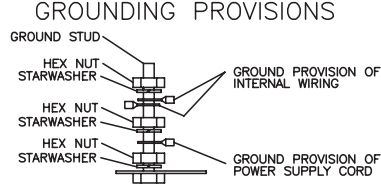
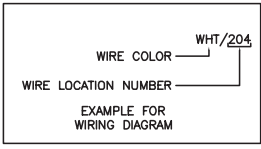


WIRING DIAGRAM STARTER 230V SINGLE PHASE 050411

# WIRING SCHEMATIC (200-230V THREE PHASE) M SERIES (AFTER SERIAL #20107354)

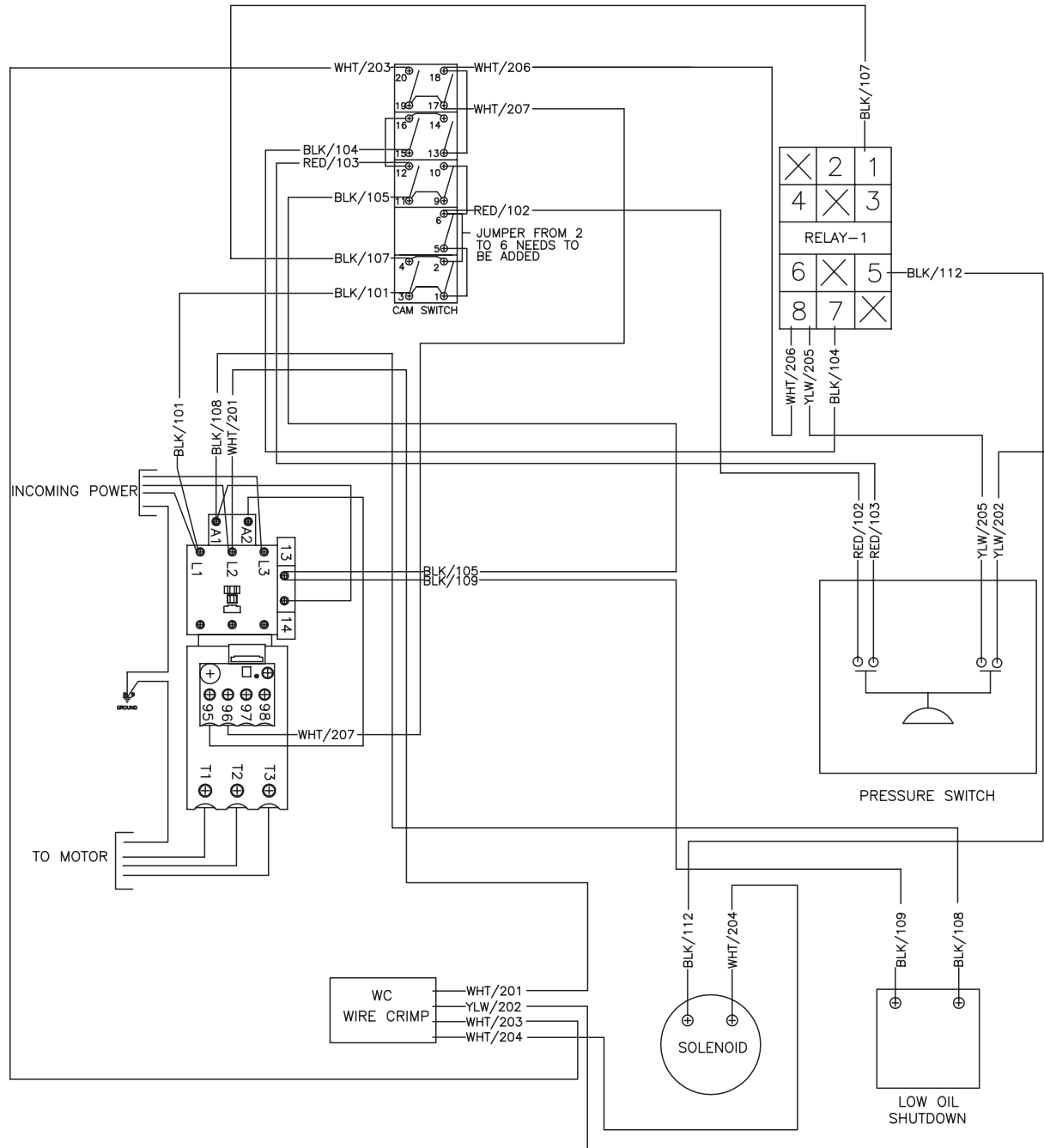


NOTES:  
 1) ALL WIRES ARE 16GA UNLESS OTHERWISE SPECIFIED



WIRING SCHEMATIC INDUSTRIAL M SERIES 200-230V THREE PHASE 100509

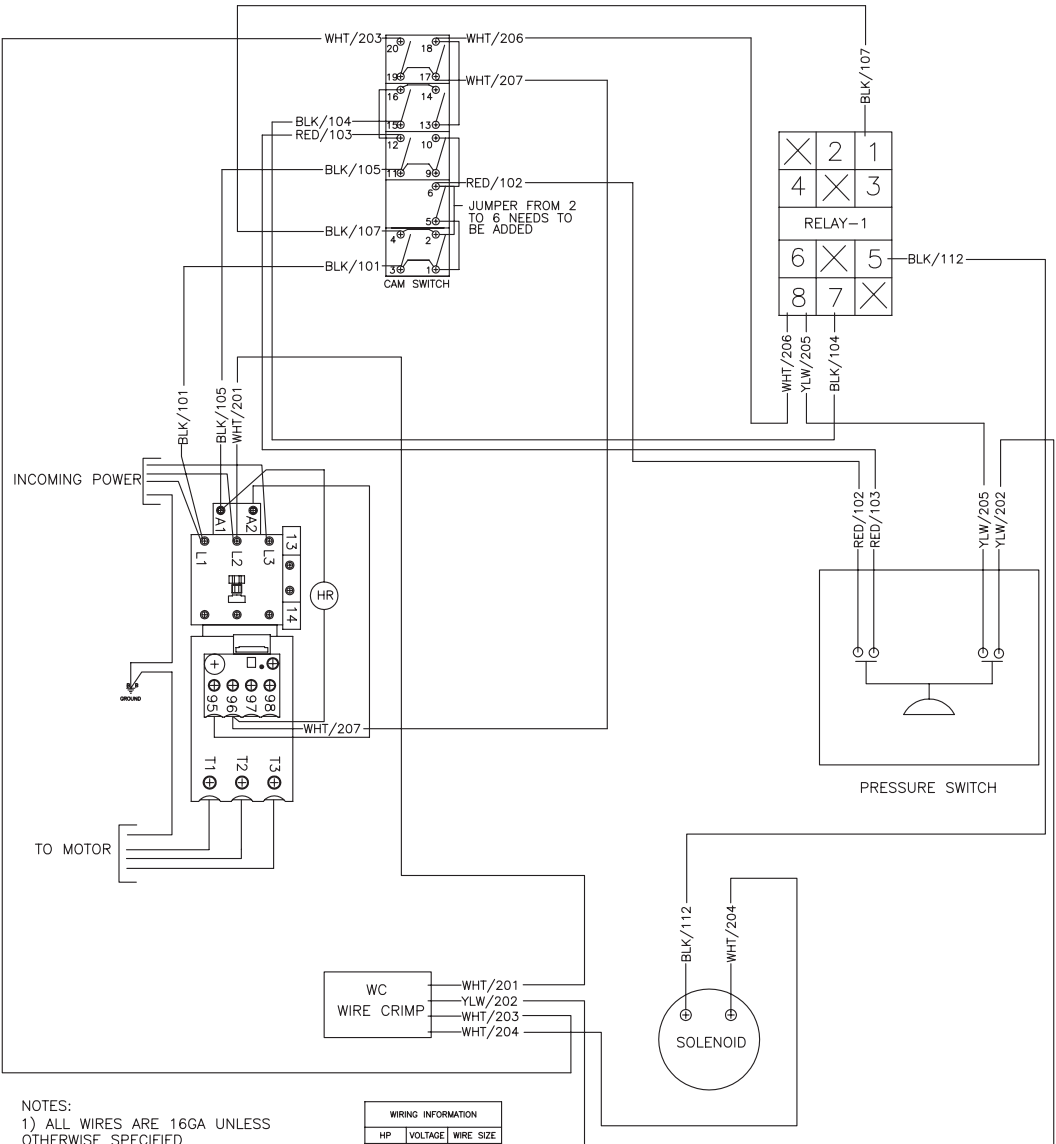
# WIRING DIAGRAM (200-230V THREE PHASE) M SERIES (AFTER SERIAL #20107354)



WIRING DIAGRAM INDUSTRIAL M SERIES 200-230V THREE PHASE 100509



# WIRING DIAGRAM DUAL CONTROL AND STARTER (200-230V SINGLE PHASE) (AFTER SERIAL #20107354)

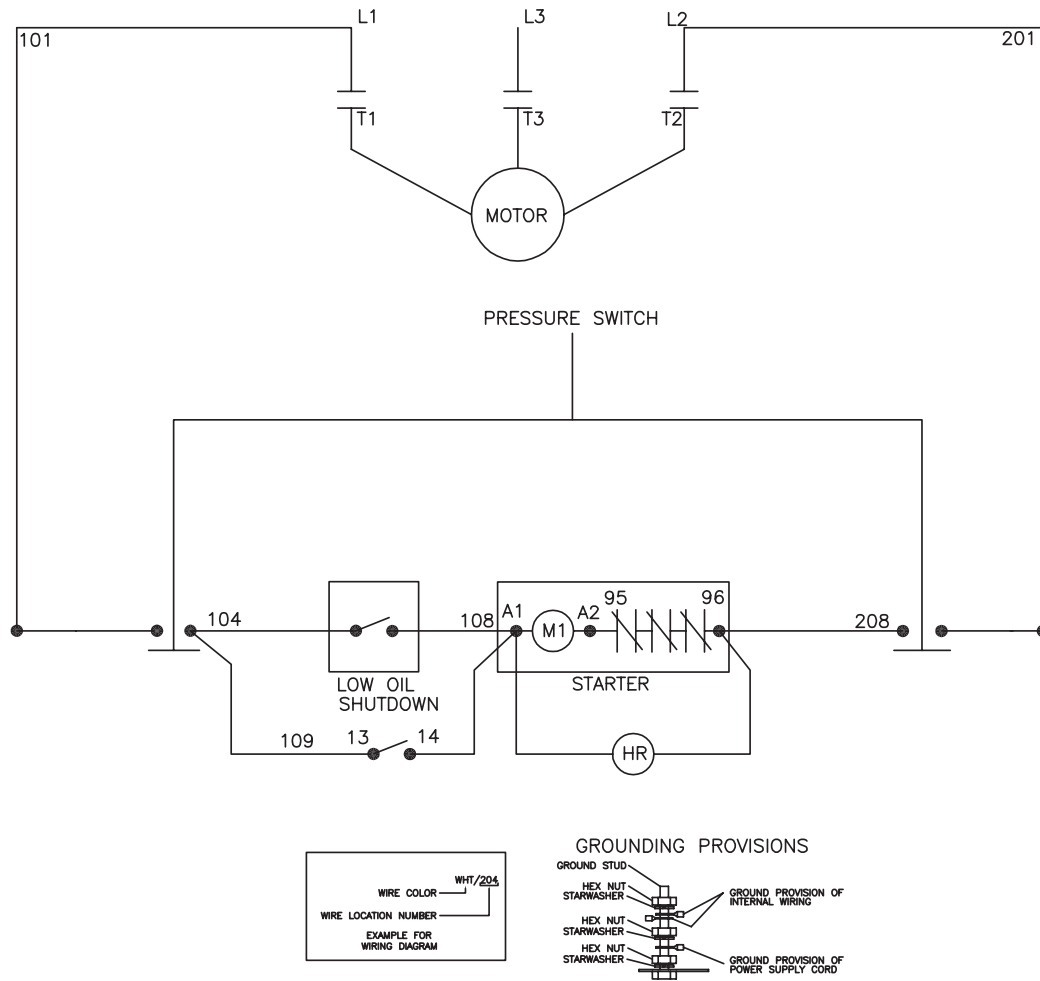


NOTES:  
 1) ALL WIRES ARE 16GA UNLESS OTHERWISE SPECIFIED

WIRING INFORMATION		
HP	VOLTAGE	WIRE SIZE
5	200	12
	230	14
7.5	200	10
	230	12
10	200	8
	230	10
15	200	8
	230	8
20	200	6
	230	6
25	200	4
	230	6
30	200	4
	230	4

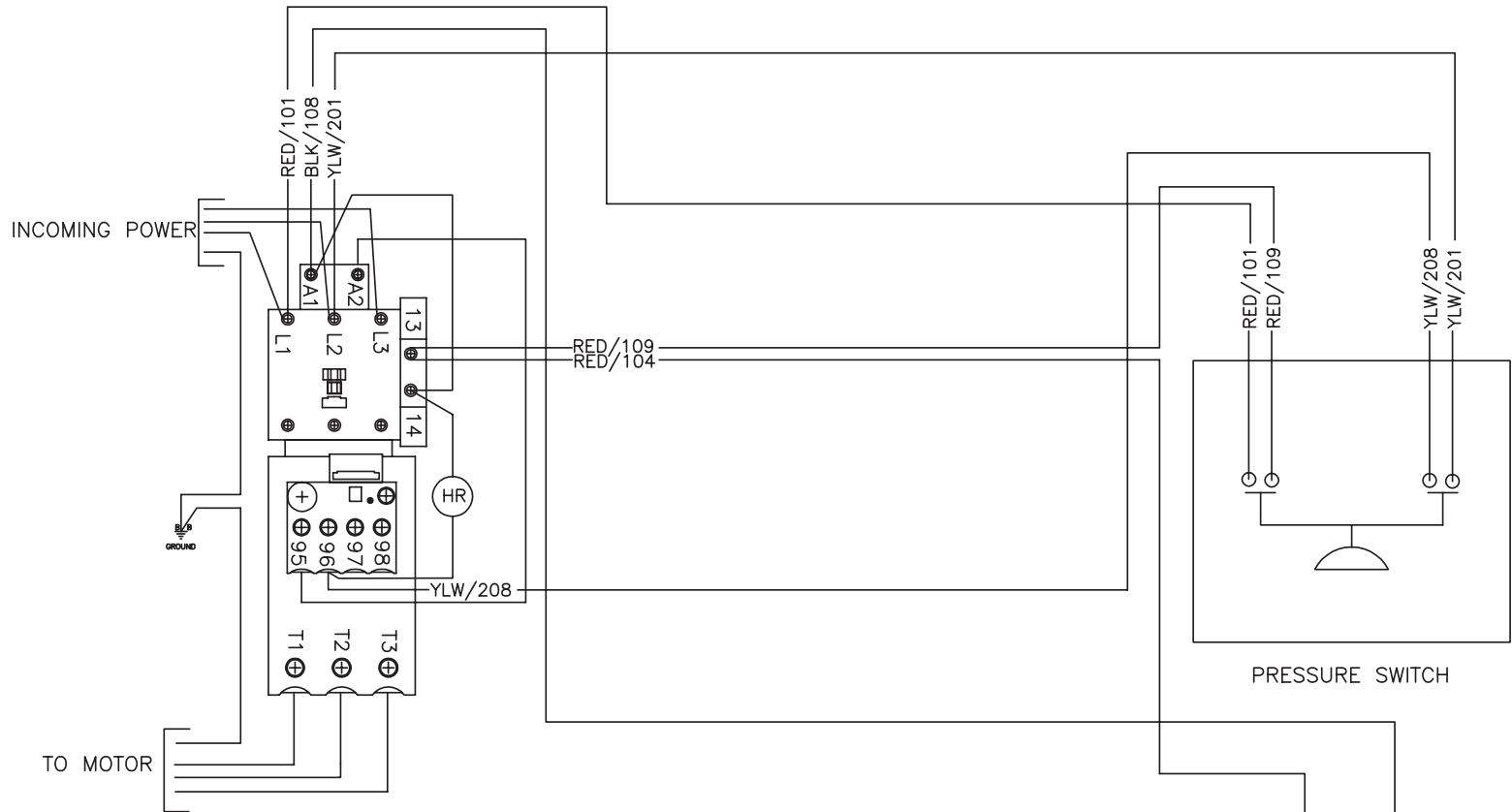
WIRING DIAGRAM DUAL CONTROL AND STARTER 200-230V THREE PHASE 050411

# WIRING SCHEMATIC LOW OIL SHUTDOWN AND STARTER (200-230V THREE PHASE)



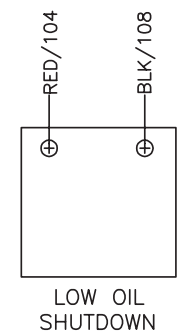
WIRING SCHEMATIC LOW OIL SHUTDOWN AND STARTER 200-230V THREE PHASE 050411

# WIRING DIAGRAM LOW OIL SHUTDOWN AND STARTER (200-230V THREE PHASE)



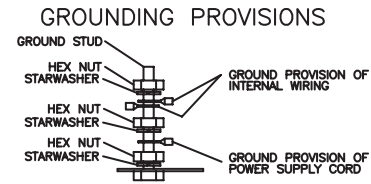
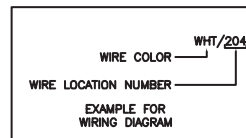
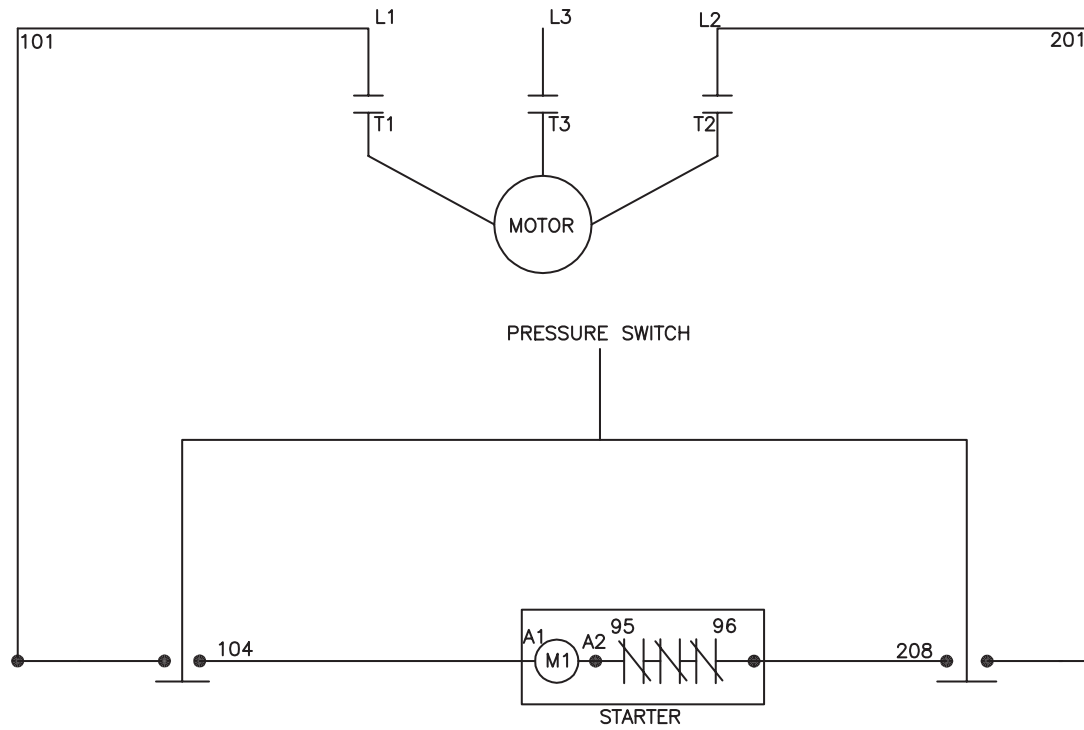
NOTES:  
 1) ALL WIRES ARE 16GA UNLESS OTHERWISE SPECIFIED

WIRING INFORMATION		
HP	VOLTAGE	WIRE SIZE
5	200	12
	230	14
7.5	200	10
	230	12
10	200	8
	230	10
15	200	8
	230	8
20	200	6
	230	6
25	200	4
	230	6
30	200	4
	230	4



WIRING DIAGRAM LOW OIL SHUTDOWN AND STARTER 200-230V THREE PHASE 050411

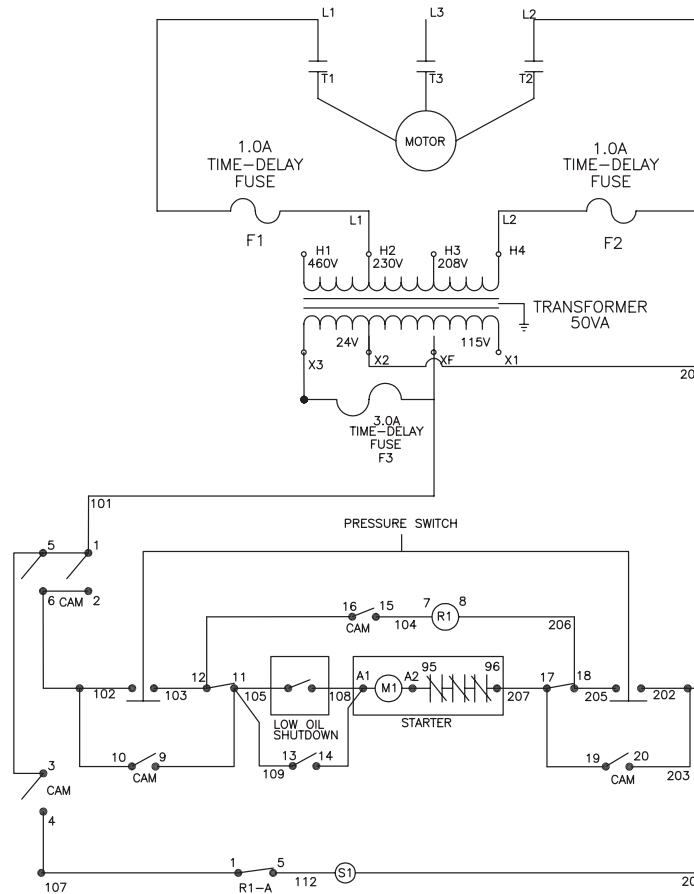
## WIRING SCHEMATIC STARTER (200-230V THREE PHASE)



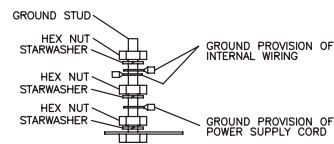
WIRING SCHEMATIC STARTER 200-230V THREE PHASE 050411



# WIRING SCHEMATIC (460V THREE PHASE) M SERIES (AFTER SERIAL #20107354)

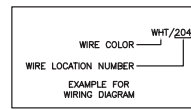


### GROUNDING PROVISIONS



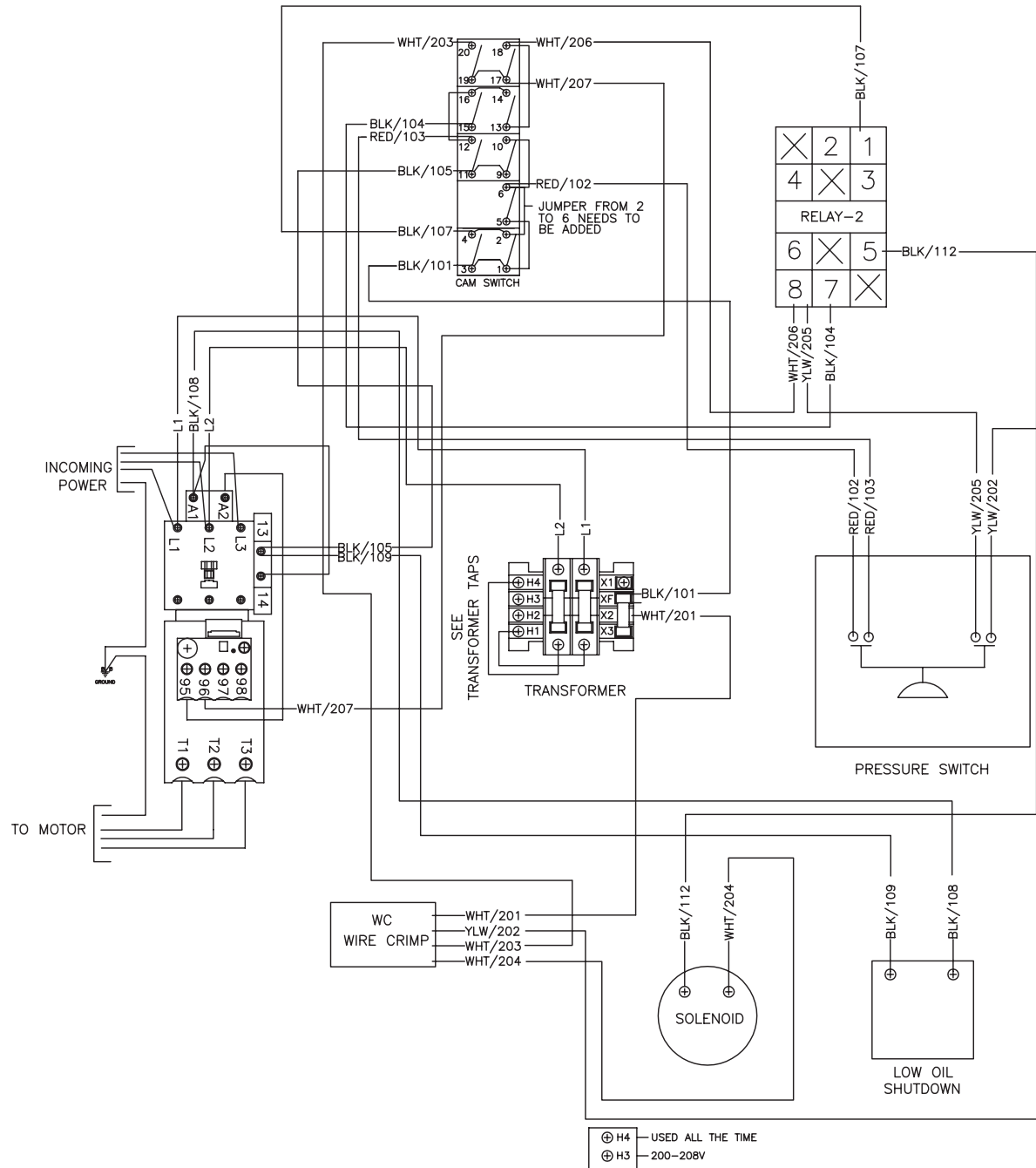
### NOTES

1) ALL WIRES ARE 16GA UNLESS OTHERWISE SPECIFIED



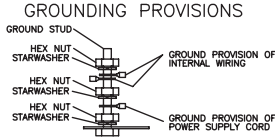
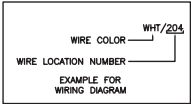
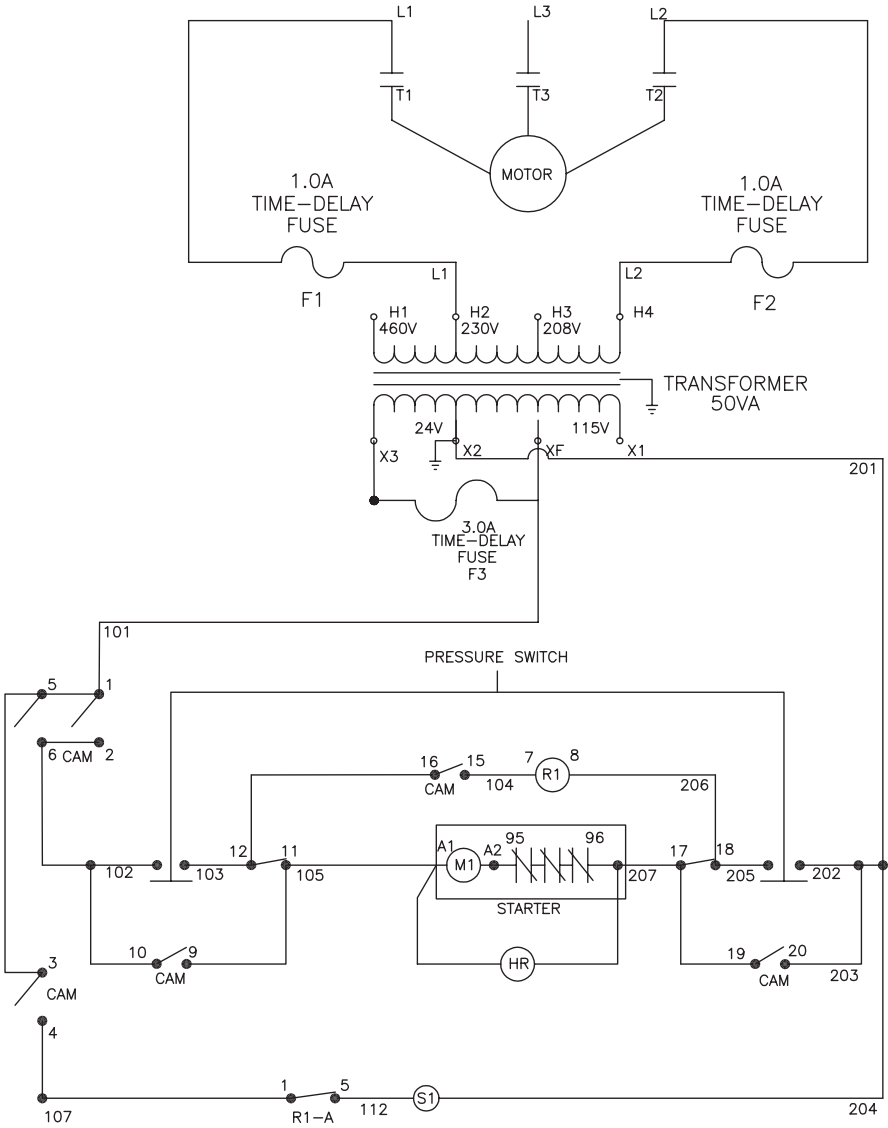
WIRING SCHEMATIC INDUSTRIAL M SERIES 460V THREE PHASE 100509

# WIRING DIAGRAM (460V THREE PHASE) M SERIES (AFTER SERIAL #20107354)



WIRING DIAGRAM INDUSTRIAL M SERIES 460V THREE PHASE 100509

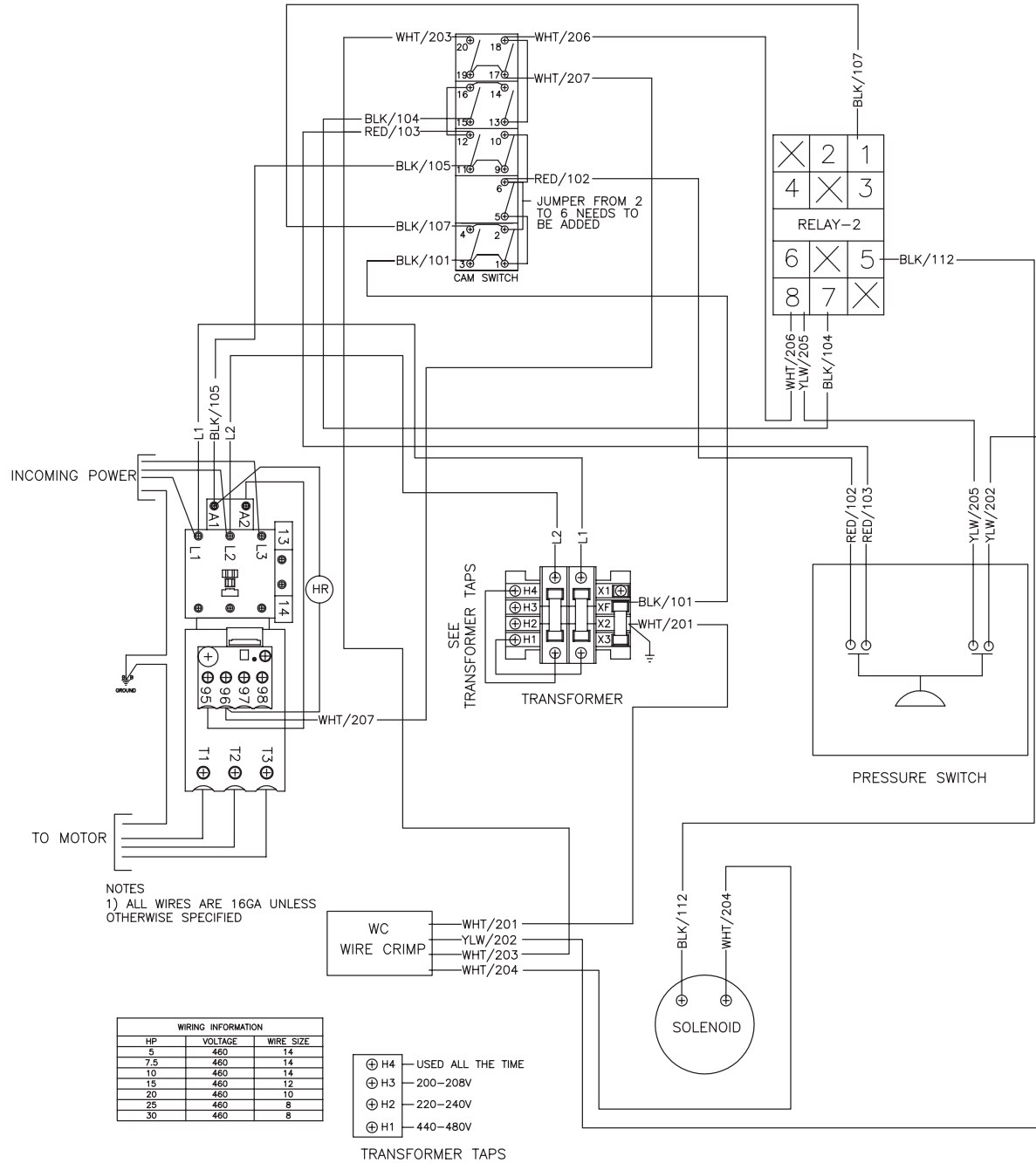
# WIRING SCHEMATIC DUAL CONTROL AND STARTER (460V THREE PHASE) (AFTER SERIAL #20107354)



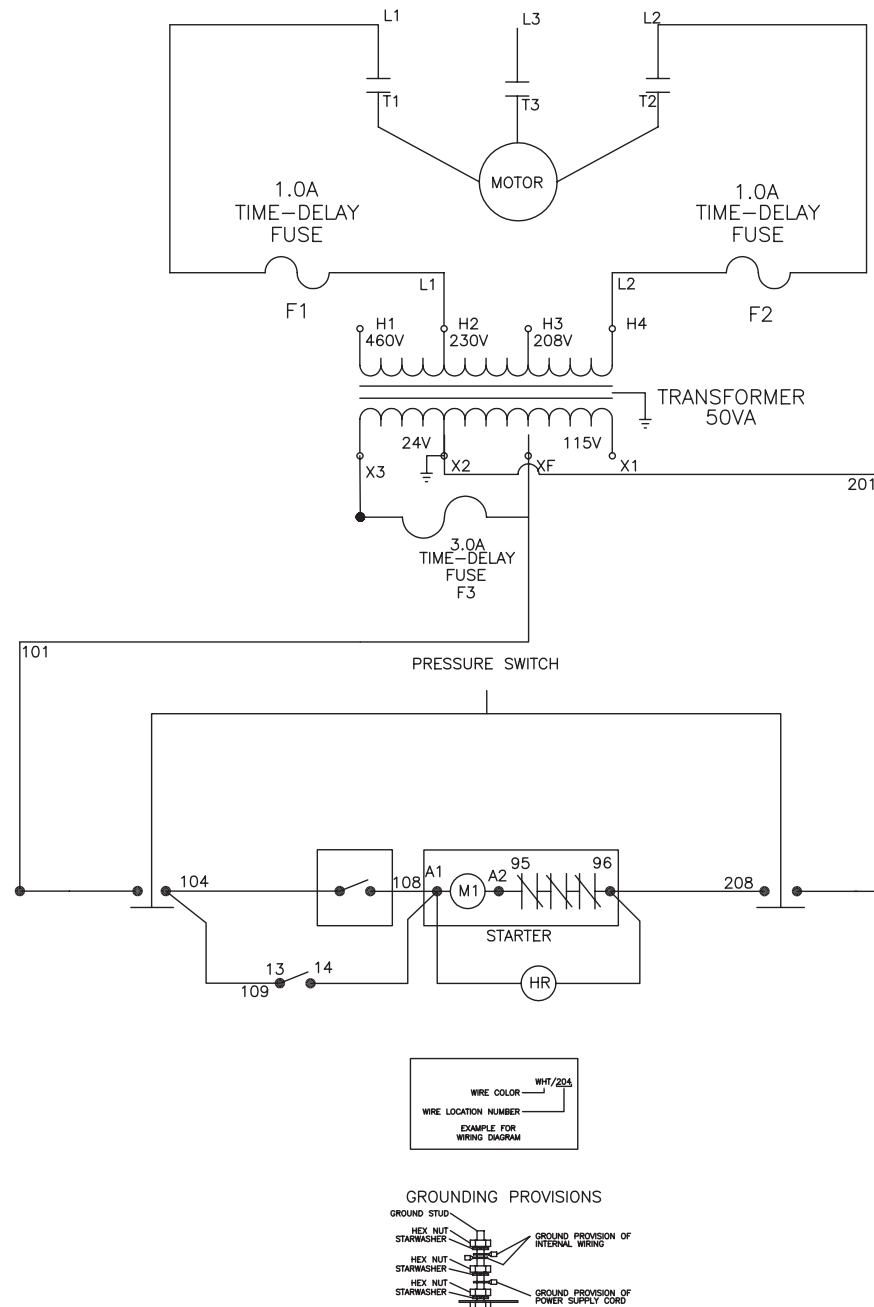
WIRING SCHEMATIC DUAL CONTROL AND STARTER OPTION 460V THREE PHASE 050411

# WIRING DIAGRAM DUAL CONTROL AND STARTER (460V THREE PHASE) (AFTER SERIAL #20107354)

WIRING DIAGRAM DUAL CONTROL AND STARTER 460V THREE PHASE 050411

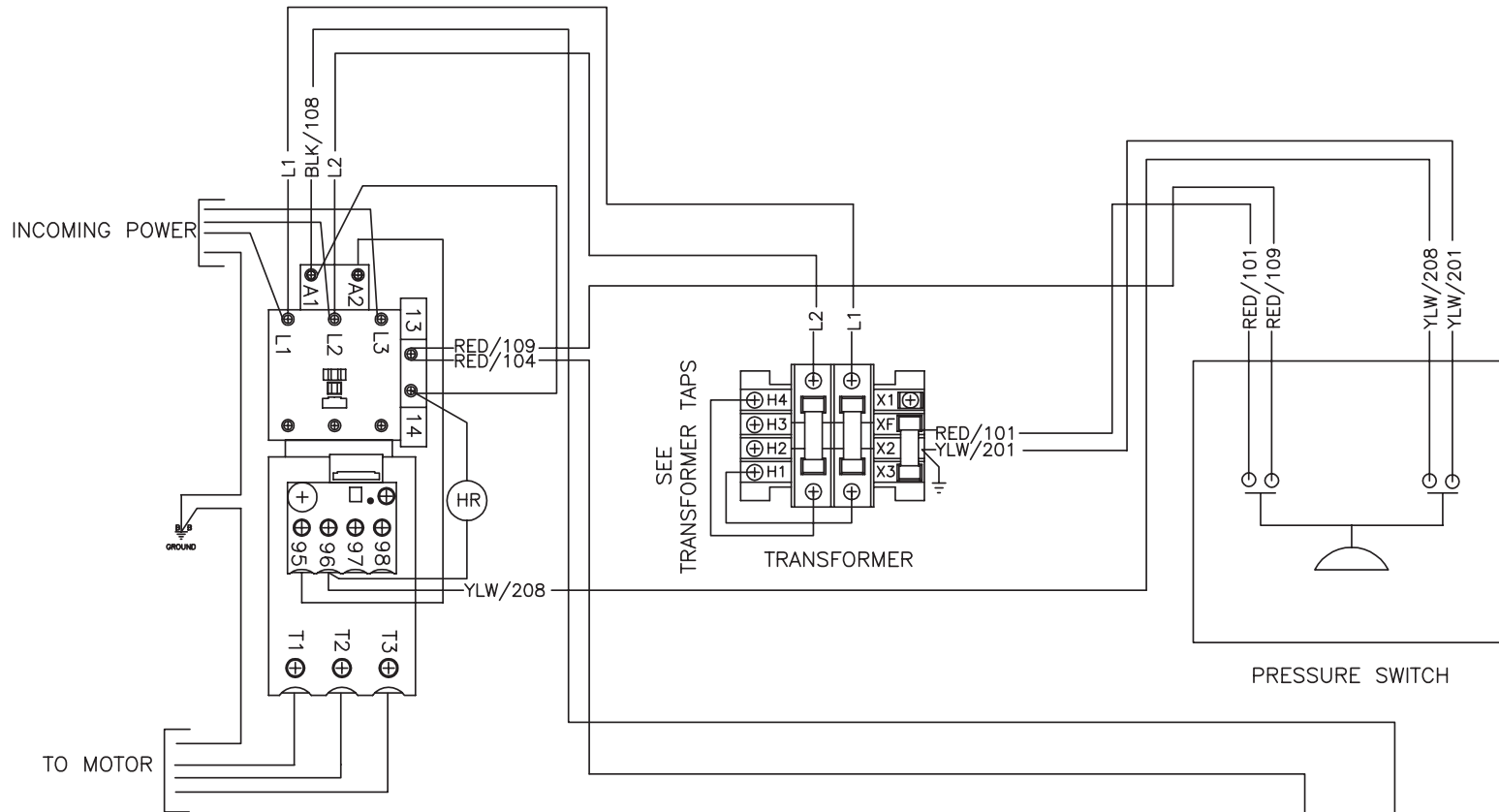


# WIRING SCHEMATIC LOW OIL SHUTDOWN AND STARTER (460V THREE PHASE)



WIRING SCHEMATIC LOW OIL SHUTDOWN AND STARTER 460V THREE PHASE 050411

# WIRING DIAGRAM LOW OIL SHUTDOWN AND STARTER (460V THREE PHASE)

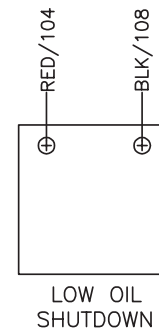


NOTES  
 1) ALL WIRES ARE 16GA UNLESS OTHERWISE SPECIFIED

- ⊕ H4 — USED ALL THE TIME
- ⊕ H3 — 200–208V
- ⊕ H2 — 220–240V
- ⊕ H1 — 440–480V

TRANSFORMER TAPS

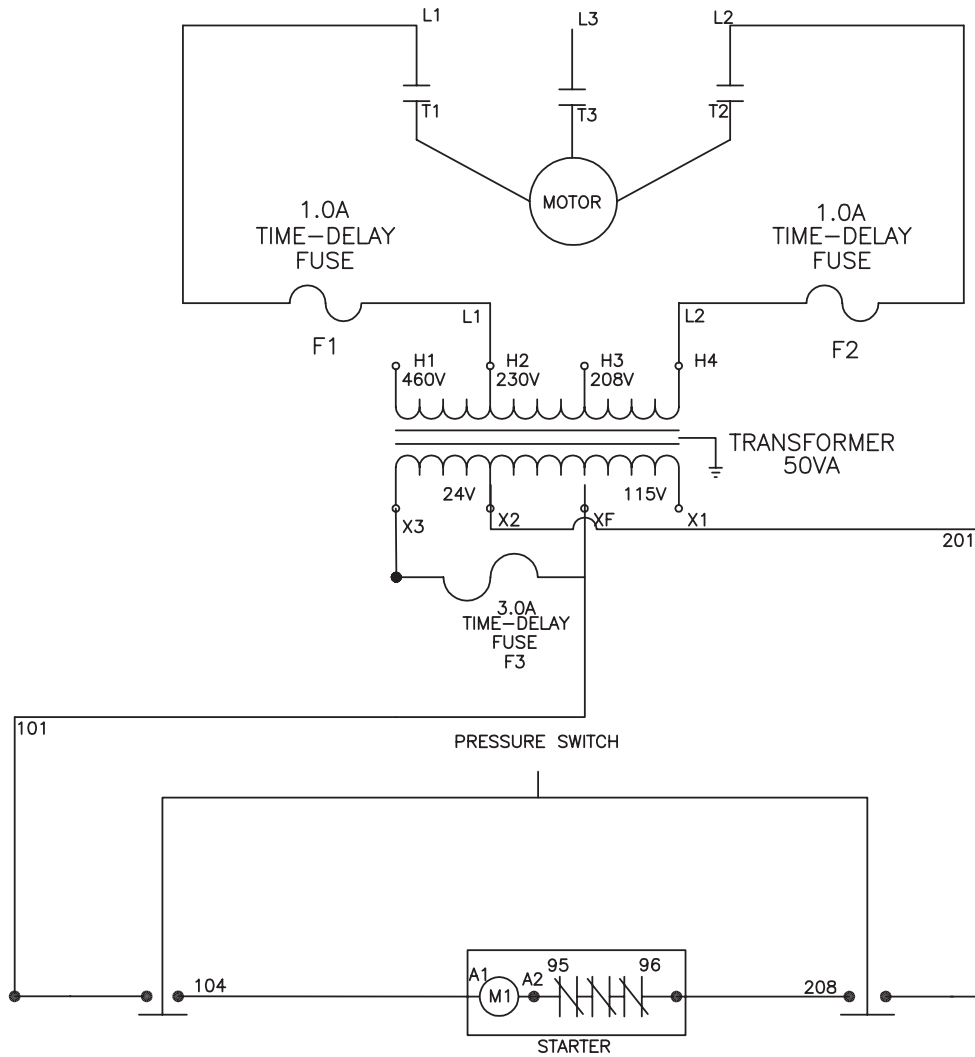
WIRING INFORMATION		
HP	VOLTAGE	WIRE SIZE
5	460	14
7.5	460	14
10	460	14
15	460	12
20	460	10
25	460	8
30	460	8



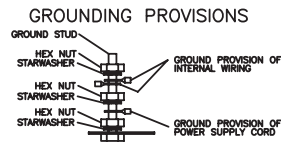
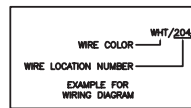
LOW OIL SHUTDOWN

WIRING DIAGRAM LOW OIL SHUTDOWN AND STARTER 460V THREE PHASE 050411

# WIRING SCHEMATIC STARTER (460V THREE PHASE)

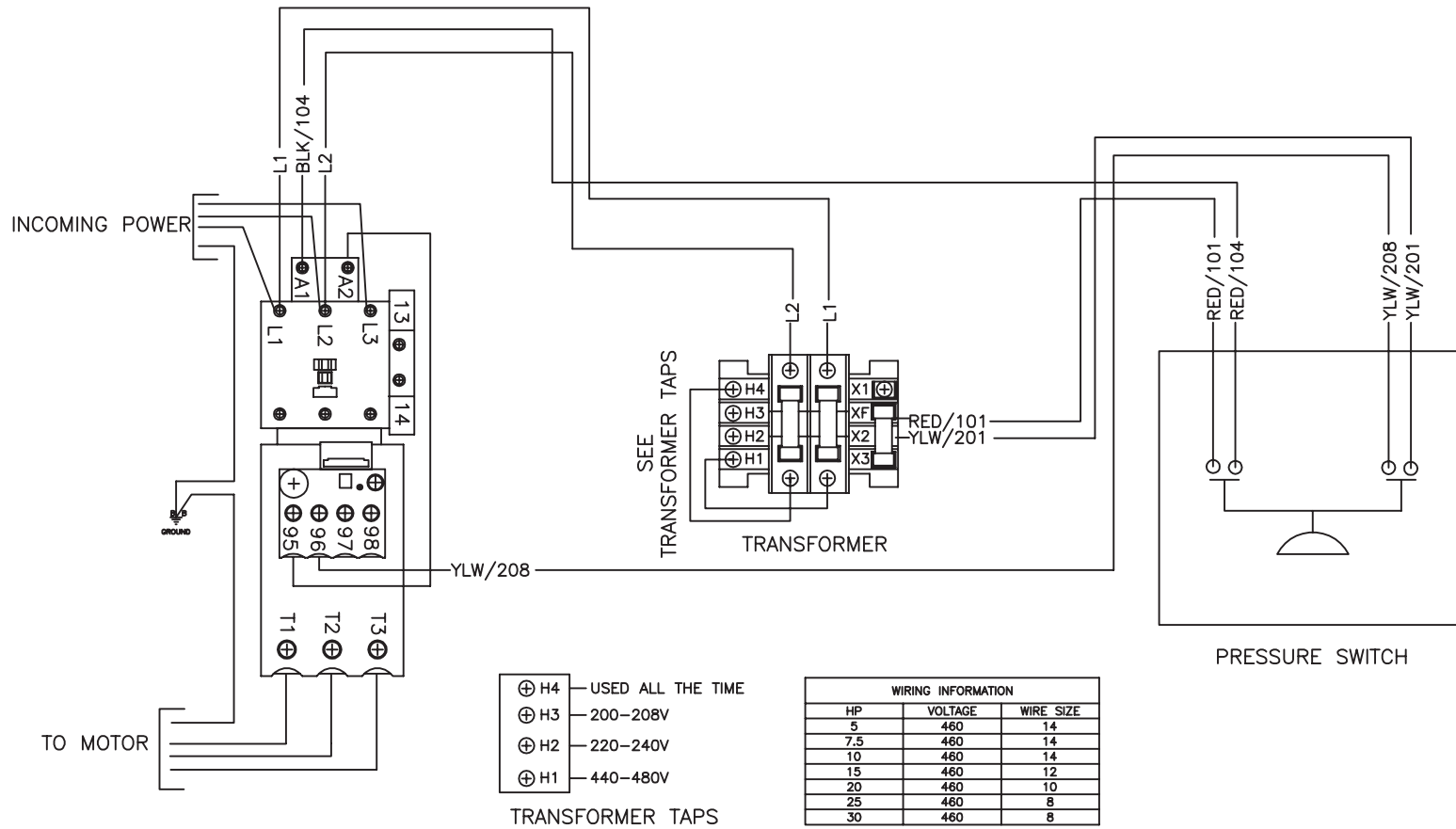


NOTES  
 1) ALL WIRES ARE 16GA UNLESS OTHERWISE SPECIFIED



WIRING SCHEMATIC STARTER 460V THREE PHASE 050411

# WIRING DIAGRAM STARTER (460V THREE PHASE)



WIRING DIAGRAM STARTER 460V THREE PHASE 050411

Manufactured by Mi-T-M  
8650 Enterprise Drive, Peosta IA 52068  
563-556-7484/ Fax 563-556-1235