

TABLE OF CONTENTS

SG1400C4F/SG1600C4F Studio Generator

Explanation Of Code In Remarks Column.....	4
Suggested Spare Parts	5

Component Drawings

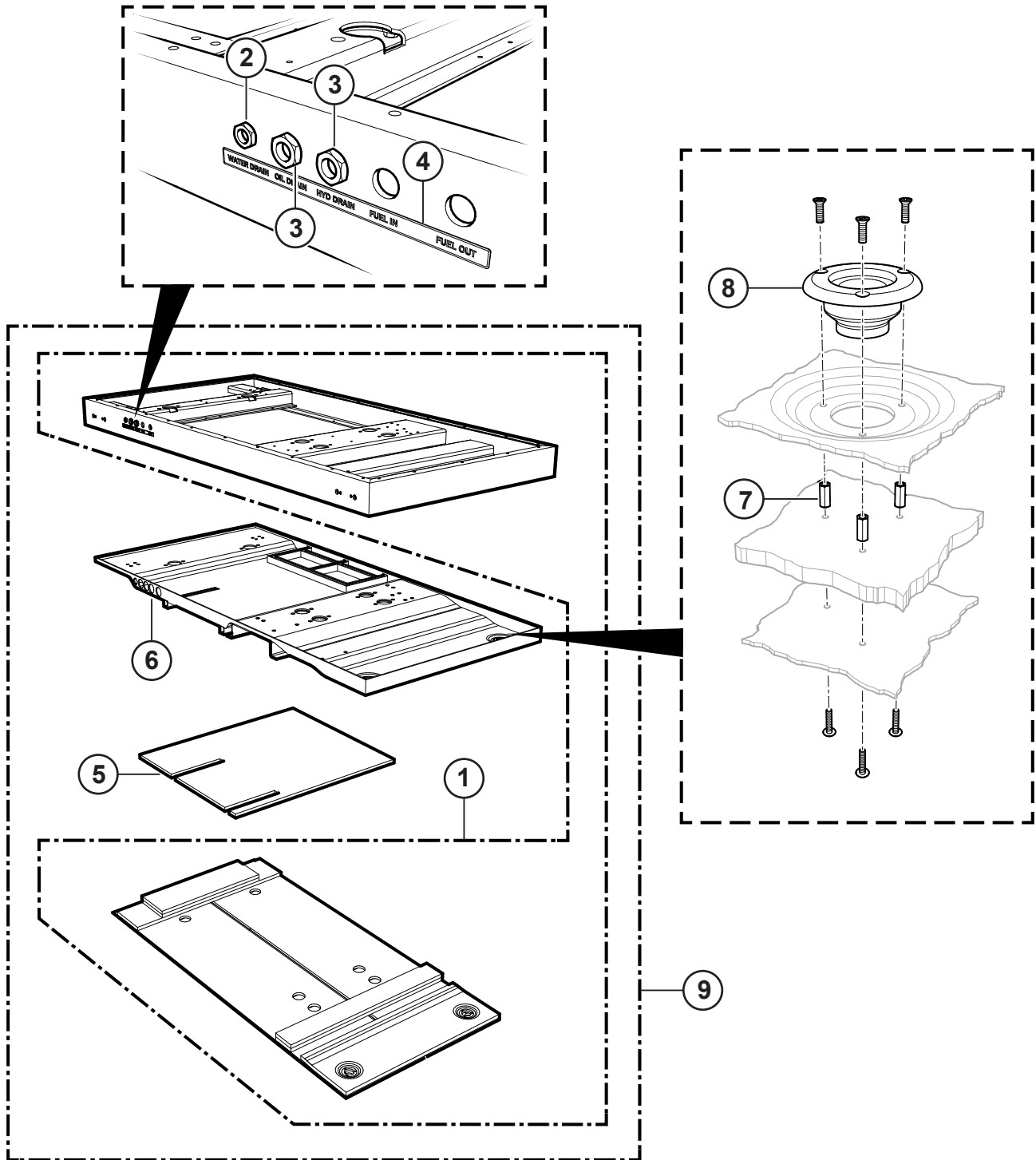
Insulated Base Assembly	6–7
Housing Assembly (W/O Bus Door)	8–9
Housing Assembly	10–11
Interior Components Assembly	12–15
Full Bus Door Assembly	16–17
Camlock (Standard) Assembly	18–19
Waterfall Bus Door Lexan Panels Assembly....	20–21
Camlock (Waterfall Optional) Assembly	22–23
Control Box (Interior) Assembly.....	24–25
Control Box (Panel) Assembly.....	26–27
Engine/Generator Mounting Assembly.....	28–29
Radiator Assembly	30–31
Radiator Support/Fan Motor Bracket Assembly ...	32–33
Air Filter Assembly.....	34–35
Exhaust System Assembly	36–37
Saddle Box Assembly (EE56762 - 1400 AMP.)	38–39
Saddle Box Assembly (EE56518).....	40–41
Saddle Box Assembly (EE56444).....	42–43
Starter And Relays Assembly.....	44–45
Battery Assembly.....	46–47
Fuel System Assembly	48–49
Hydraulic Fan, Pump And Controller Assembly ...	50–51
Baffle Assembly	52–53
Def Dosing System Assembly	54–55
Vent Actuators Assembly.....	56–57

Transformer Assembly (Add-On Option).....	58–59
Battery Charger Assembly (Add-On Option) ...	60–61
Block Heater Assembly (Add-On Option)	62–63
Battery Disconnect Assembly (Add-On Option).....	64–65
Fire Ext. Enclosure Assembly (Add-On Option)	66–67
Exterior Led Light Assembly (Add-On Option).....	68–69
Engine Service Parts.....	70–71

NOTICE

Part numbers are subject to change without notice.

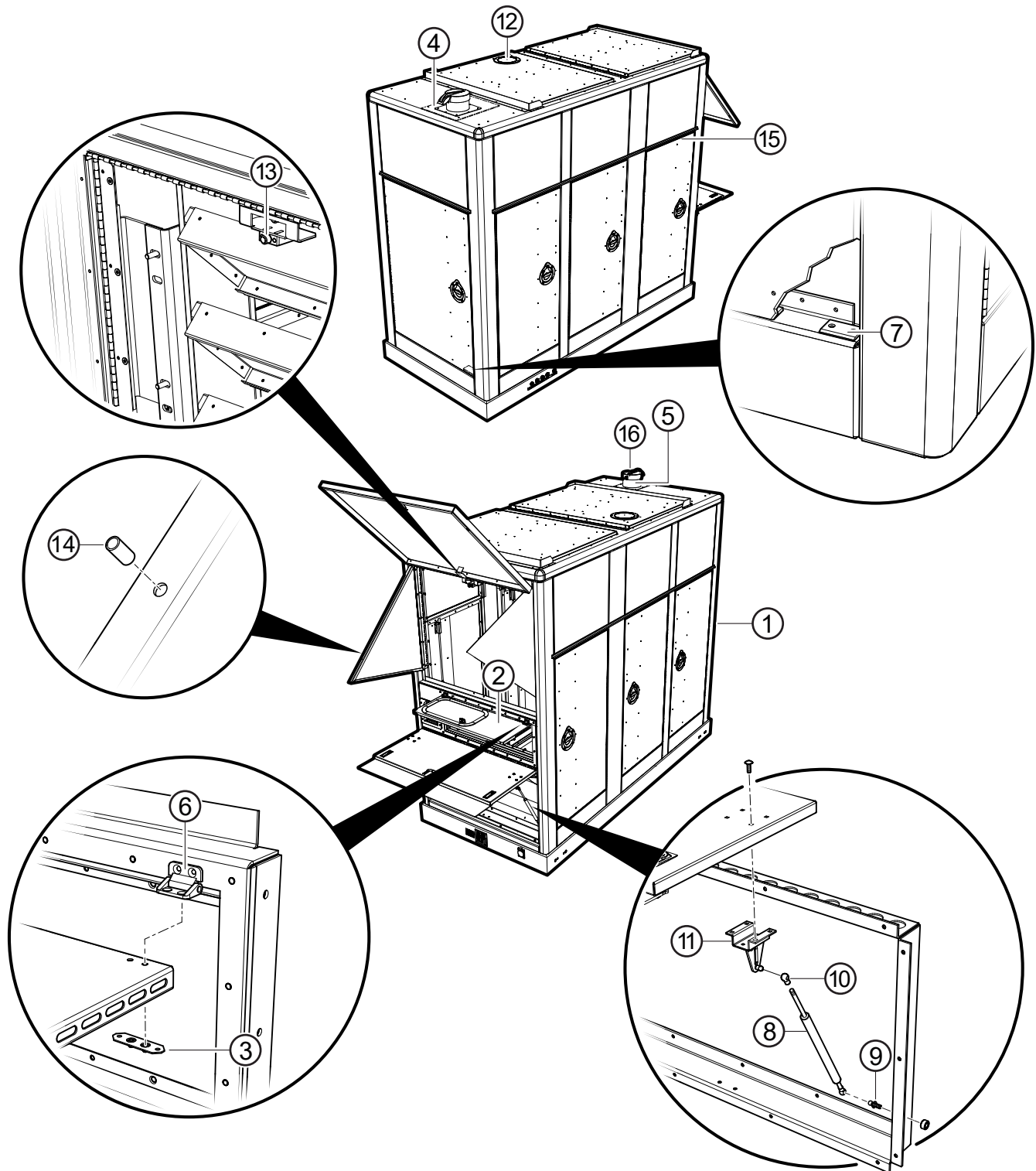
INSULATED BASE ASSY.



INSULATED BASE ASSY.

<u>NO.</u>	<u>PART NO.</u>	<u>PART NAME</u>	<u>QTY.</u>	<u>REMARKS</u>
1\$	EE58267	BASE, 48" X 100", 1600A STUDIO, TIER 4F	1	
2\$	EE17201	FITTING, BULKHEAD, BRASS, 1/4" NPT	1	
3\$	EE17203	FITTING, BULKHEAD, BRASS, 1/2" NPT	1	
4\$	EE55924	DECAL; WATER AND OIL DRAINS, FUEL IN AND OUT	1	
5\$	EE21942	INSULATION, BARYMAT B-13B, 72" X 54" SHEET	1	
6\$	EE21944	INSULATION, BARYMAT, FLOOR MAT, BLACK, 1/4"	1	
7\$	EE57977	STANDOFF, 5/16" HEX, 10-32 X 3/4", SS	6	
8\$	EE47200	DECK FILL/DRAIN, 1-1/2", BLACK NYLON	2	
9	EE58256	INSULATED BASE ASSEMBLY	1	INCLUDES ITEMS W/\$

HOUSING ASSY. (W/O BUS DOOR)



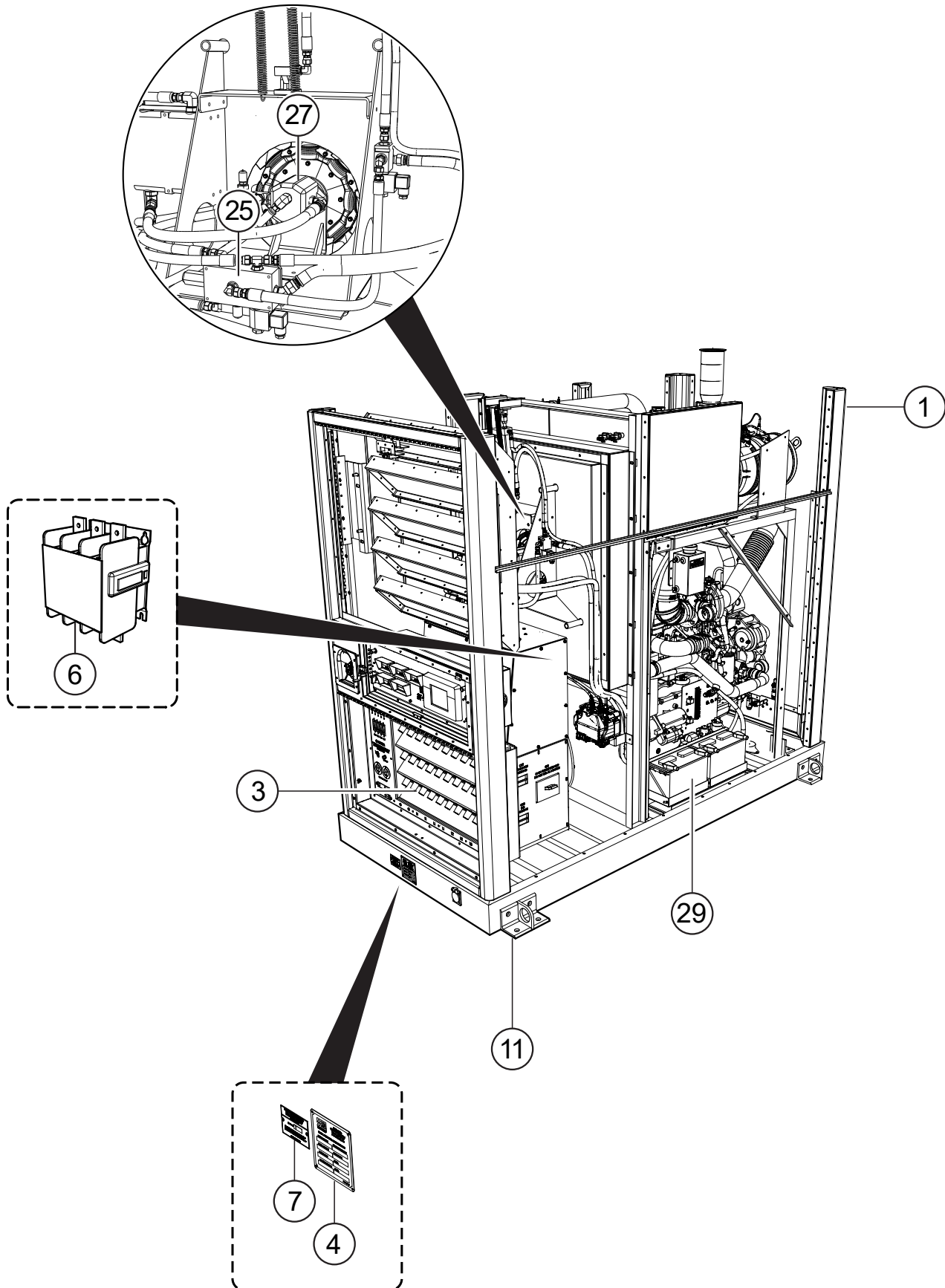
HOUSING ASSY. (W/O BUS DOOR)

<u>NO.</u>	<u>PART NO.</u>	<u>PART NAME</u>	<u>QTY.</u>	<u>REMARKS</u>
1	EE56248	HOUSING ASSY.	1	
2	EE56628	DOOR, CONTROLS, INTELIGEN, FRICTION HINGE	1	
3	EE56649	NUT PLATE, CONTROLS DOOR, FRICTION HINGE	2	
4	EE58441	HEAT SHIELD, TAILPIPE, TIER 4F STUDIO	1	
5	EE39267	FLANGE AND NIPPLE ASSY., 6" LOW PROFILE	1	
6	EE56645	HINGE, FRICTION, CSNK, 24.7 IN-LB TORQUE, SS	2	
7	EE58399	SHIM, DOOR, WIDE, 3/16" UHMW POLYETHYLENE	1	
8	EE58407	GAS SPRING, 18.22" EXTENDED, 20 LBS.	2	
9	EE58409	STUD, GAS SPRING, 10MM BALL, STEEL	2	
10	EE58408	SOCKET, 10MM BALL, M6 THD., STEEL	4	
11	EE58425	ANGLE, LONG, BUS DOOR GAS SPRING	2	
12	EE16330	PLATE, DECK, PLASTIC, TEMPRESS, 6"	1	
13	EE10644	SWITCH, OMRON, ENCLOSED LIMIT	1	
14	EE56999	STANDOFF, ROUND, 10-32 X 1/2", SS	2	
15	EE22204	J-STRIP, BLY FINISH, RAIN GUTTER	20	1 PC. = 1 FT.
16	EE16596	RAIN CAP, ALUMN., 6"	1	

HOUSING ASSY.

<u>NO.</u>	<u>PART NO.</u>	<u>PART NAME</u>	<u>QTY.</u>	<u>REMARKS</u>
1	EE56252	CORNERPOST, RIGHT REAR	1	
2	EE56251	CORNERPOST, LEFT REAR	1	
3	EE56260	DOOR JAM, RIGHT SIDE, DOUBLE	1	
4	EE56256	DOOR JAM, TOP, SHORT	6	
5	EE56254	DOOR JAM, BOTTOM, SHORT	6	
6	EE56250	CORNERPOST, RIGHT FRONT	1	
7	EE56249	CORNERPOST, LEFT FRONT	1	
8	EE56255	DOOR JAM, TOP, LONG	1	
9	EE56253	DOOR JAM, BOTTOM, LONG	1	
10	EE56259	DOOR JAM, LEFT SIDE, DOUBLE	1	
11	EE56275	CHANNEL, TOP, RAIN DOOR	1	
12	EE56267	CHANNEL, BOTTOM, OUTPUT BUS	1	
13	EE56265	ROOF ASSEMBLY	1	
14	EE58410	VENT ASSEMBLY, EXHAUST	1	
15	EE56266	VENT ASSEMBLY, INTAKE	1	
16	EE56269	PANEL, CONTROL BOX, FRONT	1	
17	EE56270	PANEL, CONTROL BOX, BACK	1	
18	EE56264	DOOR, NARROW, LEFT HANDLE	3	
19	EE56261	DOOR, WIDE, RIGHT HANDLE	1	
20	EE56263	DOOR, NARROW, RIGHT HANDLE	3	
21	EE56272	RAIN DOOR	1	
22	EE56273	WING, RAIN DOOR, RIGHT	1	
23	EE56274	WING, RAIN DOOR, LEFT	1	
24	EE56330	STRIKE PLATE, DOOR LATCH	14	
25	EE58390	STRIP, INSULATION TUCK, NARROW DOOR	11	
26	EE58391	STRIP, INSULATION TUCK, WIDE DOOR	2	
27	EE58392	BRACKET, RAIN DOOR SENSOR	1	
28	EE58393	STRIKE PLATE, CONTROL DOOR LATCH	1	
29	EE58394	STRIKE PLATE, RAIN DOOR LATCH	1	
30	EE56278	FRAME, WATERFALL OUTPUT BUS	1	
31	EE56277	ANGLE, FLASHING, STUDIO RADIATOR, RIGHT	1	
32	EE58428	ANGLE, FLASHING, STUDIO RADIATOR, LEFT	1	
33	EE58429	FLASHING, HOUSING SIDE TO RADIATOR FRAME	2	
34	EE58430	DOOR JAM, RIGHT SIDE, 4"	1	
35	EE58431	DOOR JAM, LEFT SIDE, 4"	1	
36	EE58730	SUPPORT PLATE, VENT DOOR	2	
37	EE58994	SHIM, DOOR STRIKE, DEF TANK LOCATION	1	
38	EE59041	HINGE, VENT DOORS	2	

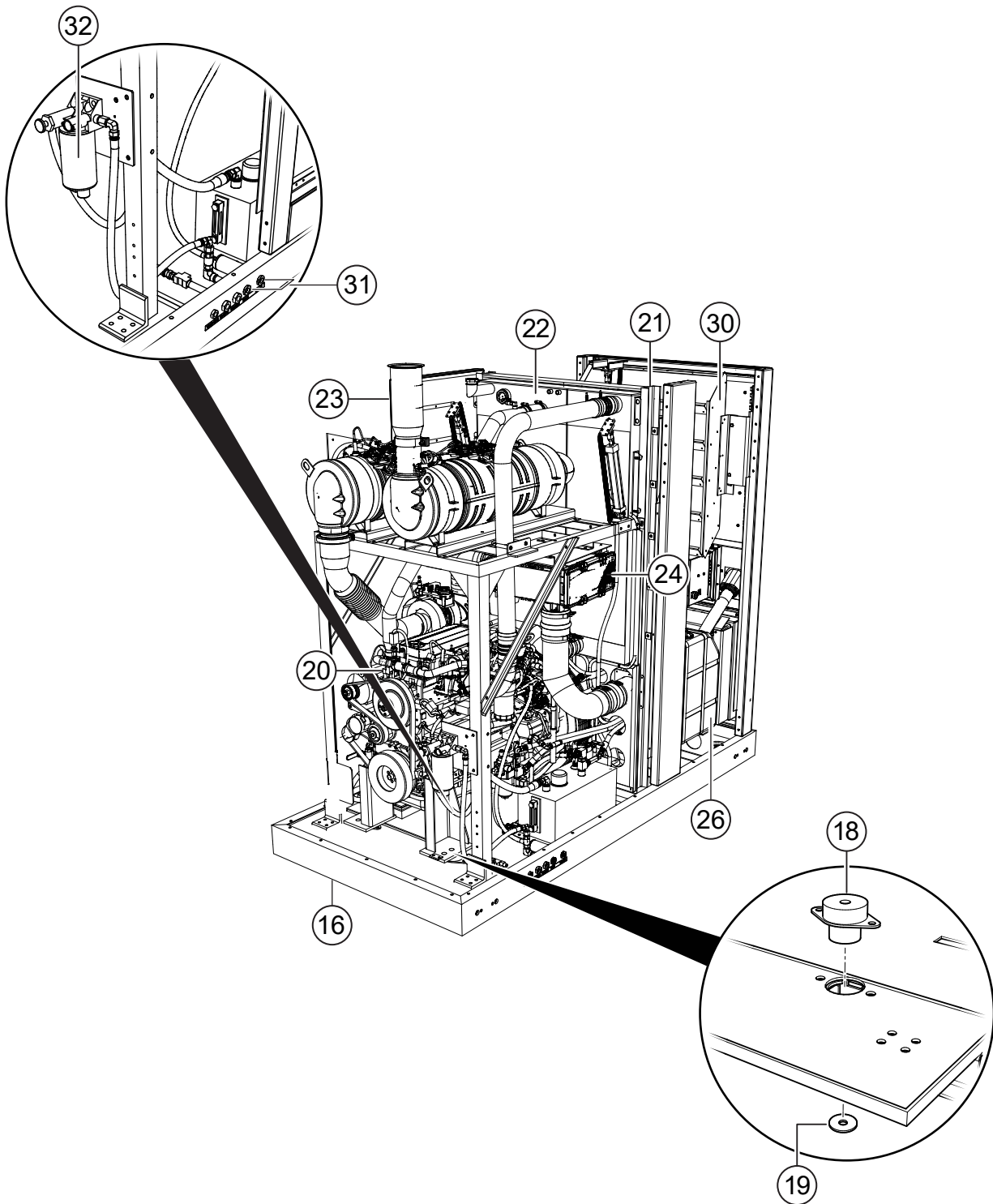
INTERIOR COMPONENTS ASSY.



INTERIOR COMPONENTS ASSY.

<u>NO.</u>	<u>PART NO.</u>	<u>PART NAME</u>	<u>QTY.</u>	<u>REMARKS</u>
1	EE61221	HOUSING LESS BUS DOOR ASSY.	1	
3	EE58967	WATERFALL BUS W/2 BATES ASSY.	1	
4	EE56749	NAMEPLATE; MULTIQUIP, STUDIO, ALUMN./BLACK	1	
6	EE24222	CONTACTOR, VACCUM, 120VAC	1	
7	34714	PLATE; EMISSION CONTROL 3.11" X 2.11"	1	
11	EE6486	BRACKET, LIFTING EYE, STEEL	4	
25	EE58261	VENT ACTUATORS, HYDRAULIC ASSY.	1	
27	EE58314	HYDRAULIC FAN WITH PUMP ASSY.	1	
29	EE23249	BATTERY SYSTEM, 24VDC ASSY.	2	

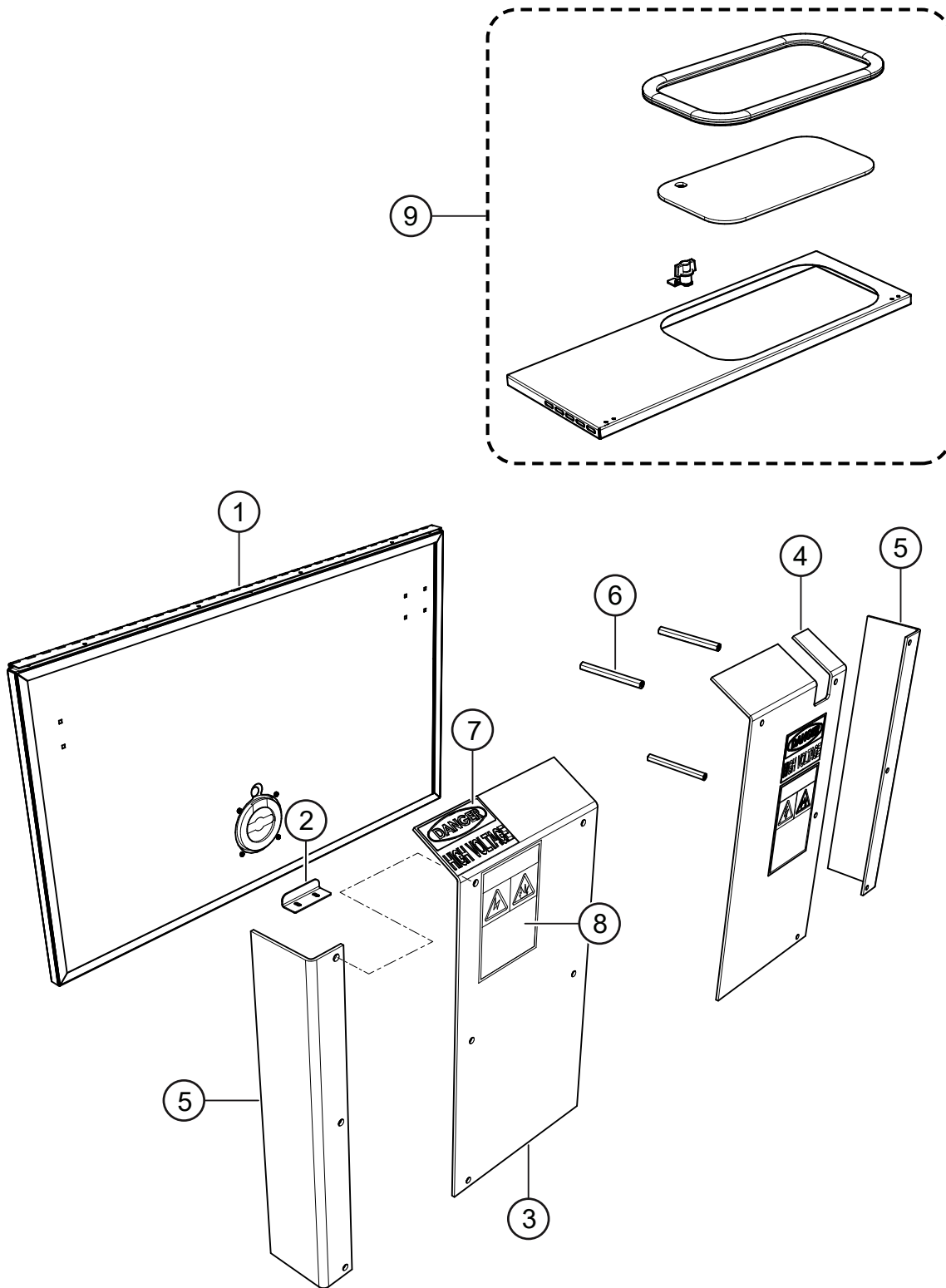
INTERIOR COMPONENTS ASSY. (CONT'D.)



INTERIOR COMPONENTS ASSY. (CONT'D.)

<u>NO.</u>	<u>PART NO.</u>	<u>PART NAME</u>	<u>QTY.</u>	<u>REMARKS</u>
16	EE58256	INSULATED BASE ASSY.	1	
18	EE41016	MOTOR MOUNT, FAIL SAFE	6	
19	EE41017	WASHER, 3/4" ID., MOTOR MOUNT	6	
20	EE56418	FUEL ASSY., B-20 BIODIESEL UPGRADE	1	
21	EE58257	RAD. SUPPORT AND FAN MOTOR MTG. BRACKET ASSY.	1	
22	EE58258	RADIATOR/CAC ASSY.	1	
23	EE58259	EXHAUST ASSY.	1	
24	EE58260	AIR FILTER ASSY.	1	
26	EE58342	DEF DOSING SYSTEM ASSY.	1	
30	EE58438	5 STEP BAFFLE ASSY.	1	
31	EE48788	BULKHEAD FITTING ASSY., 1/2 NPT, SS	2	
32	EE56417	FUEL SYSTEM, NON-BIODIESEL ASSY.	1	

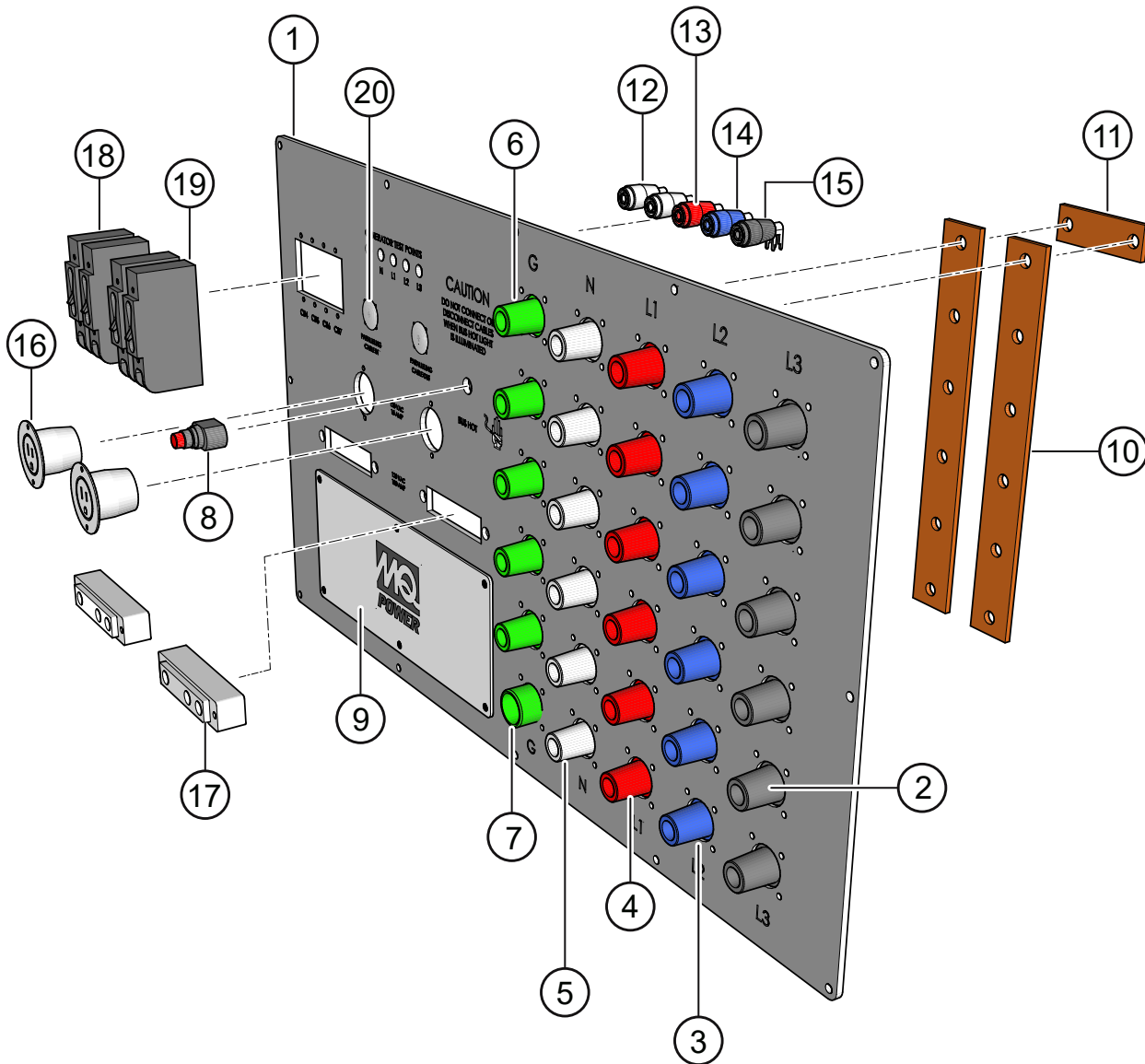
FULL BUS DOOR ASSY.



FULL BUS DOOR ASSY.

<u>NO.</u>	<u>PART NO.</u>	<u>PART NAME</u>	<u>QTY.</u>	<u>REMARKS</u>
1	EE56268	DOOR, OUTPUT BUS, WATERFALL OPTION	1	
2	EE56351	ANGLE, STRIKE, OUTPUT BUS LATCH, SS	1	
3	EE58450	LEXAN COVER, WATERFALL BUS PANEL, LEFT	1	
4	EE58854	LEXAN COVER, WATERFALL BUS, NOTCHED, RIGHT	1	
5	EE58849	LEXAN ANGLE, WATERFALL BUS PANEL	2	
6	EE58447	STANDOFF, 1/2"HEX X 1/4-20 X 5", ALUMN.	6	
7	EE6449	DECAL; DANGER HIGH VOLTAGE	2	
8	EE51414	DECAL; VINYL, ADHESIVE, ARC FLASH	2	
9	EE56628	DOOR, CONTROLS, INTELIGEN, FRICTION HINGE	1	

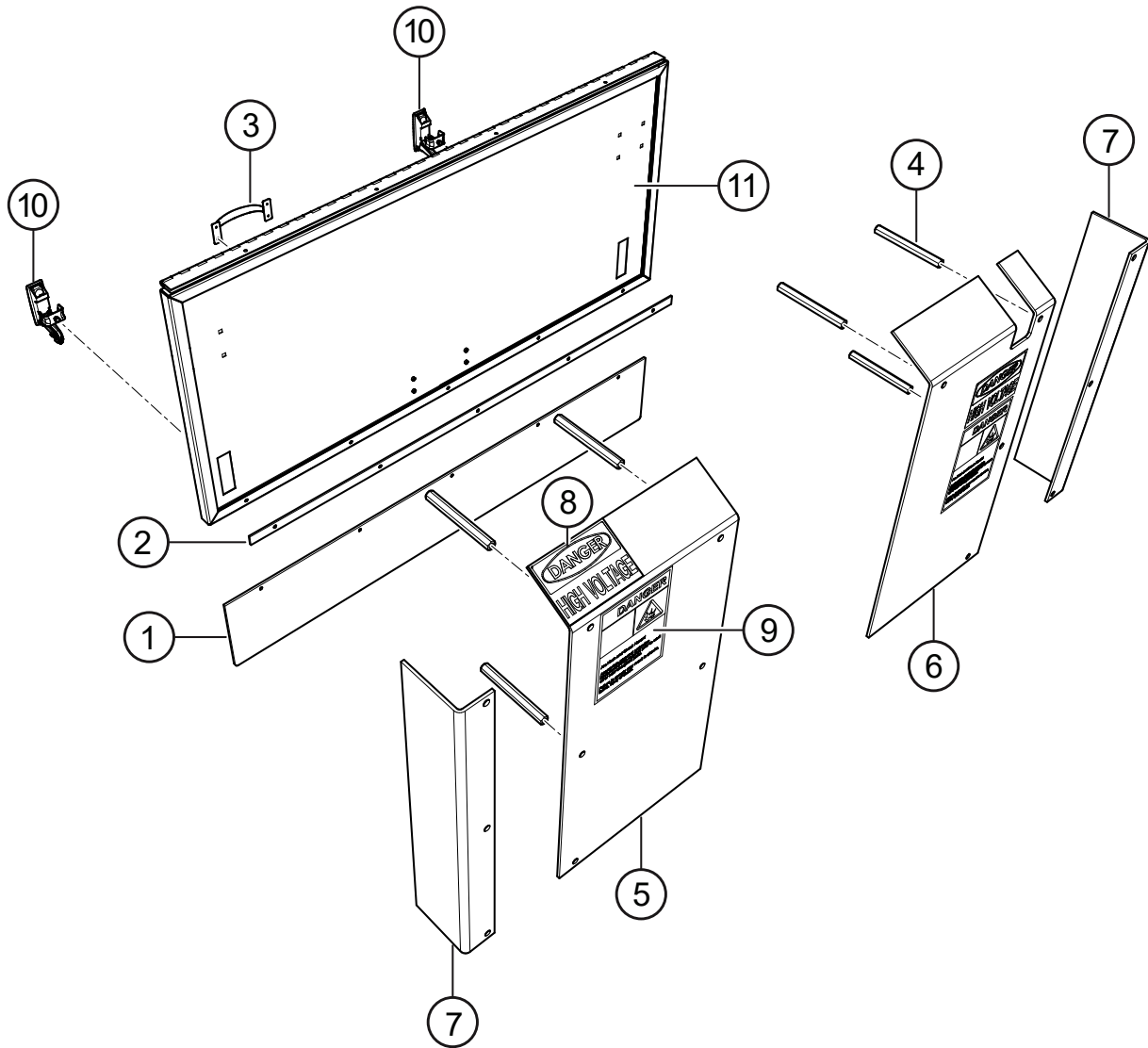
CAMLOCK (STANDARD) ASSY.



CAMLOCK (STANDARD) ASSY.

<u>NO.</u>	<u>PART NO.</u>	<u>PART NAME</u>	<u>QTY.</u>	<u>REMARKS</u>
1	EE55746	PANEL, OUTPUT BUS, 6 SET CAMLOK, STANDARD	1	
2	EE6378	RECEPTACLE, PANEL MOUNT, FEMALE, BLK., 4/0	6	
3	EE6381	RECEPTACLE, PANEL MOUNT, FEMALE, BLUE, 4/0	6	
4	EE6380	RECEPTACLE, PANEL MOUNT, FEMALE, RED, 4/0	6	
5	EE6379	RECEPTACLE, PANEL MOUNT, FEMALE, WHT., 4/0	6	
6	EE6382	RECEPTACLE, PANEL MOUNT, FEMALE, GRN., 4/0	5	
7	EE6387	RECEPTACLE, PANEL MOUNT, MALE, GRN., 4/0	1	
8	EE22728	LED, PILOT LIGHT, RED, 270V	1	
9	EE55777	COVER, RECEPTACLE EXPANSION, W/MQ LOGO	1	
10	EE55776	BUS BAR, 6 SET CAMLOK, 3" SPACING	5	
11	EE34475	BUS BAR, GROUND TO NEUTRAL	1	
12	EE25625	JACK, BANANA PLUG, 4MM IEC1010, WHT.	2	
13	EE25627	JACK, BANANA PLUG, 4MM IEC1010, RED	1	
14	EE25628	JACK, BANANA PLUG, 4MM IEC1010, BLUE	1	
15	EE25626	JACK, BANANA PLUG, 4MM IEC1010, BLK.	1	
16	EE6129	RECEPTACLE, FLANGED, PHILLIPS/SLOTTED SCREW	2	
17	EE40182	CONNECTOR, 100 AMP, 125V, FEMALE	2	
18	EE55791	CIRCUIT BREAKER, 15A, 1P, UL489, 240V MAX	2	
19	EE55869	CIRCUIT BREAKER, 100A, 1P, UL489, 240V	2.....	INCLUDES 24V SHUNT
20		DOME CAP, .875	2.....	OBTAIN LOCALLY

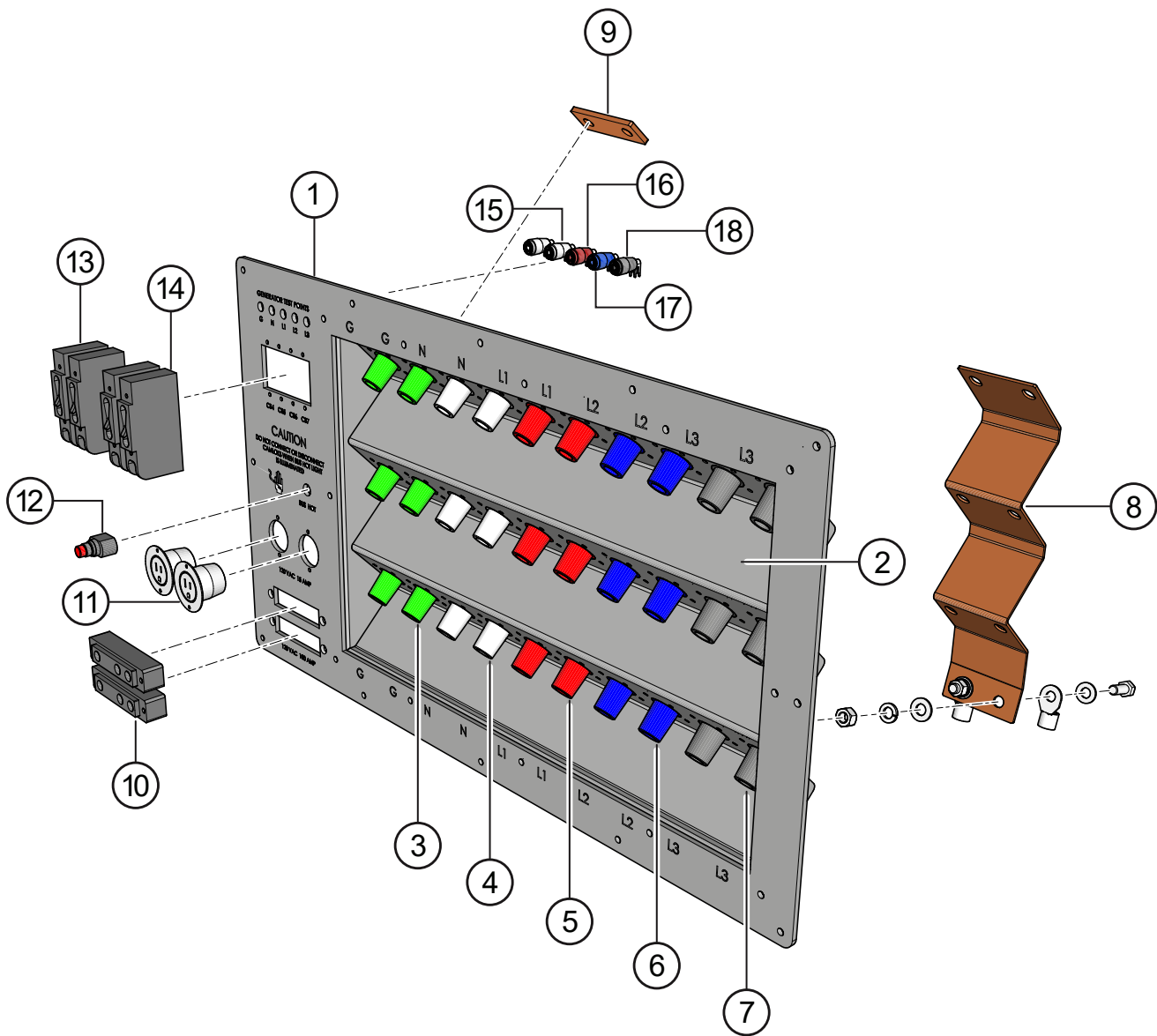
WATERFALL BUS DOOR LEXAN PANELS ASSY.



WATERFALL BUS DOOR LEXAN PANELS ASSY.

<u>NO.</u>	<u>PART NO.</u>	<u>PART NAME</u>	<u>QTY.</u>	<u>REMARKS</u>
1	EE58418	FLAP, RUBBER	1	
2	EE58419	STRIP, RUBBER FLAP	1	
3	EE16349	LATCH, LEVER W/LOCK	2	
4	EE58447	STANDOFF, 1/2" HEX. X 1/4-20 X 5"	6	
5	EE58450	LEXAN COVER, LEFT	1	
6	EE58854	LEXAN COVER, NOTCHED, RIGHT	1	
7	EE58849	LEXAN ANGLE	2	
8	EE6449	DECAL; DANGER HIGH VOLTAGE, 3-1/2" X 5"	2	
9	EE51414	DECAL; VINYL, ADHESIVE, ARC FLASH	2	
10	EE57119	PULL HANDLE	2	
11	EE58403	DOOR, OUTPUT BUS	1	

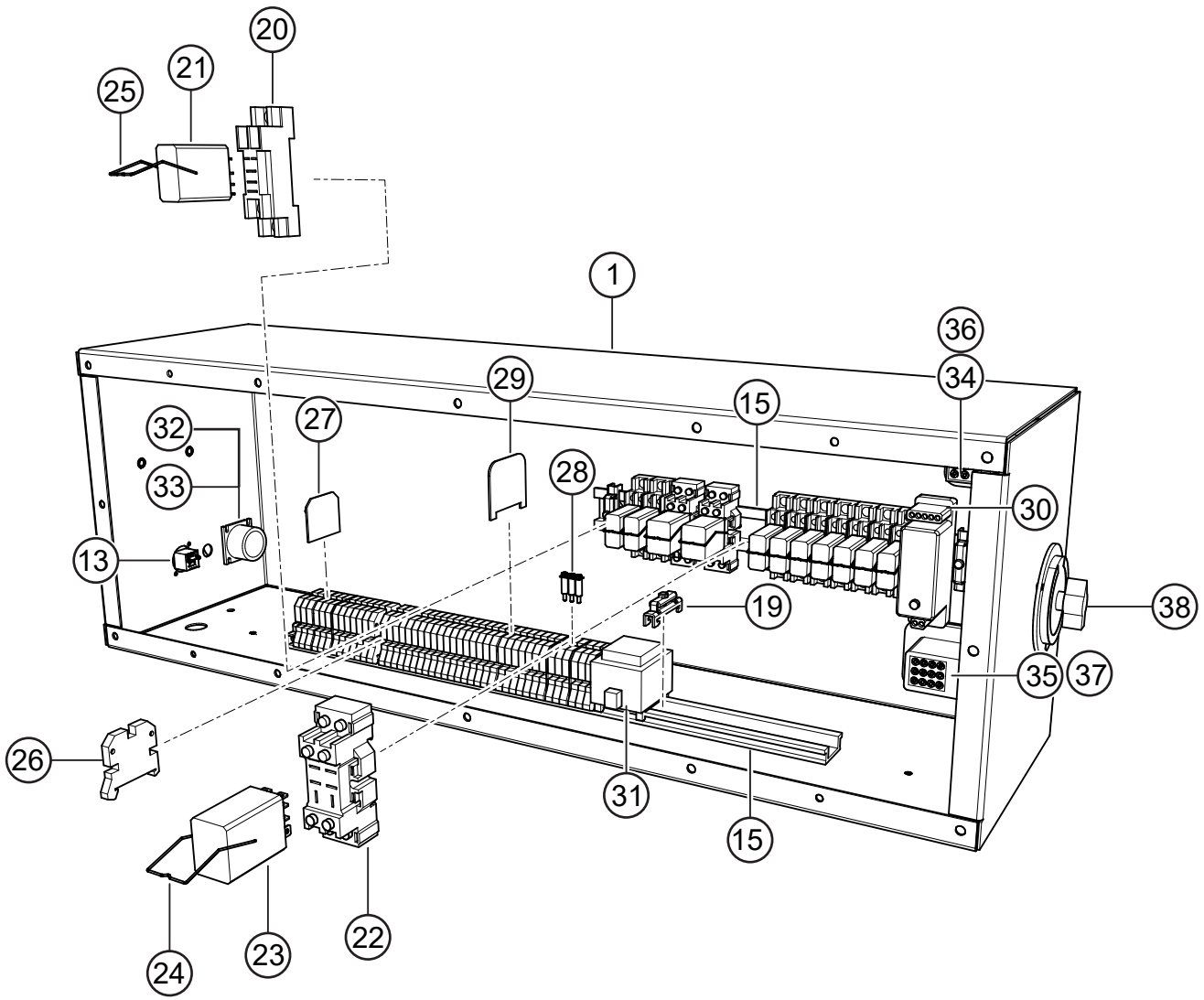
CAMLOCK (WATERFALL OPTIONAL) ASSY.



CAMLOCK (WATERFALL OPTIONAL) ASSY.

<u>NO.</u>	<u>PART NO.</u>	<u>PART NAME</u>	<u>QTY.</u>	<u>REMARKS</u>
1	EE58966	PANEL, WATERFALL BUS WITH 2 BATES, ALUMN.	1	
2	EE58443	WATERFALL PANEL, 6 SET CAMLOK, ALUMN.	1	
3	EE6382	RECEPTACLE, PANEL MOUNT, FEMALE, GREEN, 4/0	6	
4	EE6379	RECEPTACLE, PANEL MOUNT, FEMALE, WHITE, 4/0	6	
5	EE6380	RECEPTACLE, PANEL MOUNT, FEMALE, RED, 4/0	6	
6	EE6381	RECEPTACLE, PANEL MOUNT, FEMALE, BLUE, 4/0	6	
7	EE6378	RECEPTACLE, PANEL MOUNT, FEMALE, BLACK, 4/0	6	
8	EE58743	BUS BAR, WATERFALL, 6 SET, 1/8" X 4" COPPER	5	
9	EE58747	BUS BAR, G-N BOND, 1/4" X 1.5" COPPER	1	
10	EE40182	CONNECTOR, 100A, 125V, FEMALE	2	
11	EE6129	RECEPTACLE, FLANGED, PHILLIPS/SLOTTED SCREW	2	
12	EE22728	LED, PILOT LIGHT, RED, 270V	1	
13	EE55791	CIRCUIT BREAKER, 15A, 1P, UL489, 240V MAX	2	
14	EE55869	CIRCUIT BREAKER, 100A, 1P, UL489, 240V	2.....	INCLUDES 24V SHUNT
15	EE25625	JACK, BANANA PLUG, 4MM IEC1010, WHITE	2	
16	EE25627	JACK, BANANA PLUG, 4MM IEC1010, RED	1	
17	EE25628	JACK, BANANA PLUG, 4MM IEC1010, BLUE	1	
18	EE25626	JACK, BANANA PLUG, 4MM IEC1010, BLACK	1	

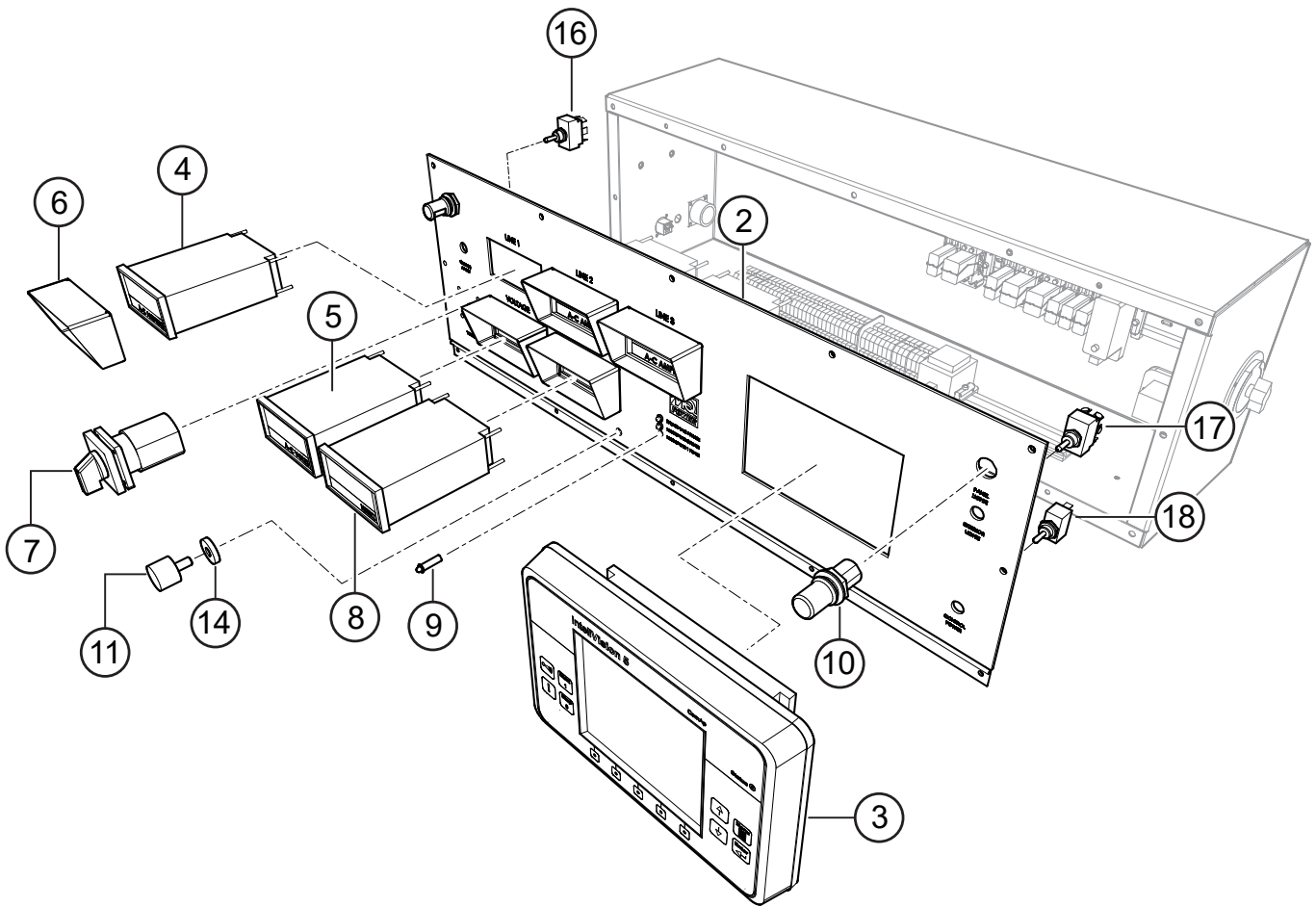
CONTROL BOX (INTERIOR) ASSY.



CONTROL BOX (INTERIOR) ASSY.

NO.	PART NO.	PART NAME	QTY.	REMARKS
1	EE58434	CONTROL BOX, 8" DEEP	1	
13	EE55760	JACK, FEEDTHROUGH, PANEL MNT.	1	
15	EE10071	RAIL, DIN, ALUMN., .413" X 1.37" X 36"	1	
19	EE2940	END STOP, DIN RAIL, SQUARE D CLAMP	4	
20	EE2998	BASE, DIN RAIL SNAP MOUNT, SH SERIES, 5-BLADE	10	
21	EE47964	RELAY, MINIATURE, ALL PURPOSE, 5-BLADE	10	
22	EE26385	BASE, RELAY, SNAP/SURFACEMNT., 8-BLADE, 300V, 10A	3	
23	EE23861	RELAY, MINIATURE, ALL PURPOSE, 8-BLADE, 24V	3	
24	EE26135	RETAINER, HOLDDOWN WIRE, MINI. RELAY, 8-BLADE	3	
25	EE3015	RETAINER, HOLDDOWN WIRE, MINI. RELAY, 5-BLADE	10	
26	EE26112	BLOCK, TERMINAL	45	
27	EE26107	END PLATE, TERMINAL	5	
28	EE32611	JUMPER, 3-POLE SAK 4, PRE-ASSY.	3	
29	EE26106	PARTITION	1	
30	EE40238	MODULE, VOLTAGE REGULATOR CONTROL	1	
31	EE55870	TRANSFORMER 120V, COMAP, IG-AVRI-TRANS/100	1	
32	EE45116	CONNECTOR, 9-PIN	1	
33	EE45118	COVER, PROTECTIVE	1	
34	EE55810	RECEPTACLE, 24-PIN DRC	1	
35	EE55793	RECEPTACLE, 40-PIN DRC	1	
36	EE55811	GASKET, RECEPTACLE	1	
37	EE55794	GASKET, DRC40	1	
38	EE10618	SWITCH, 15 MINUTE TIMER	1	

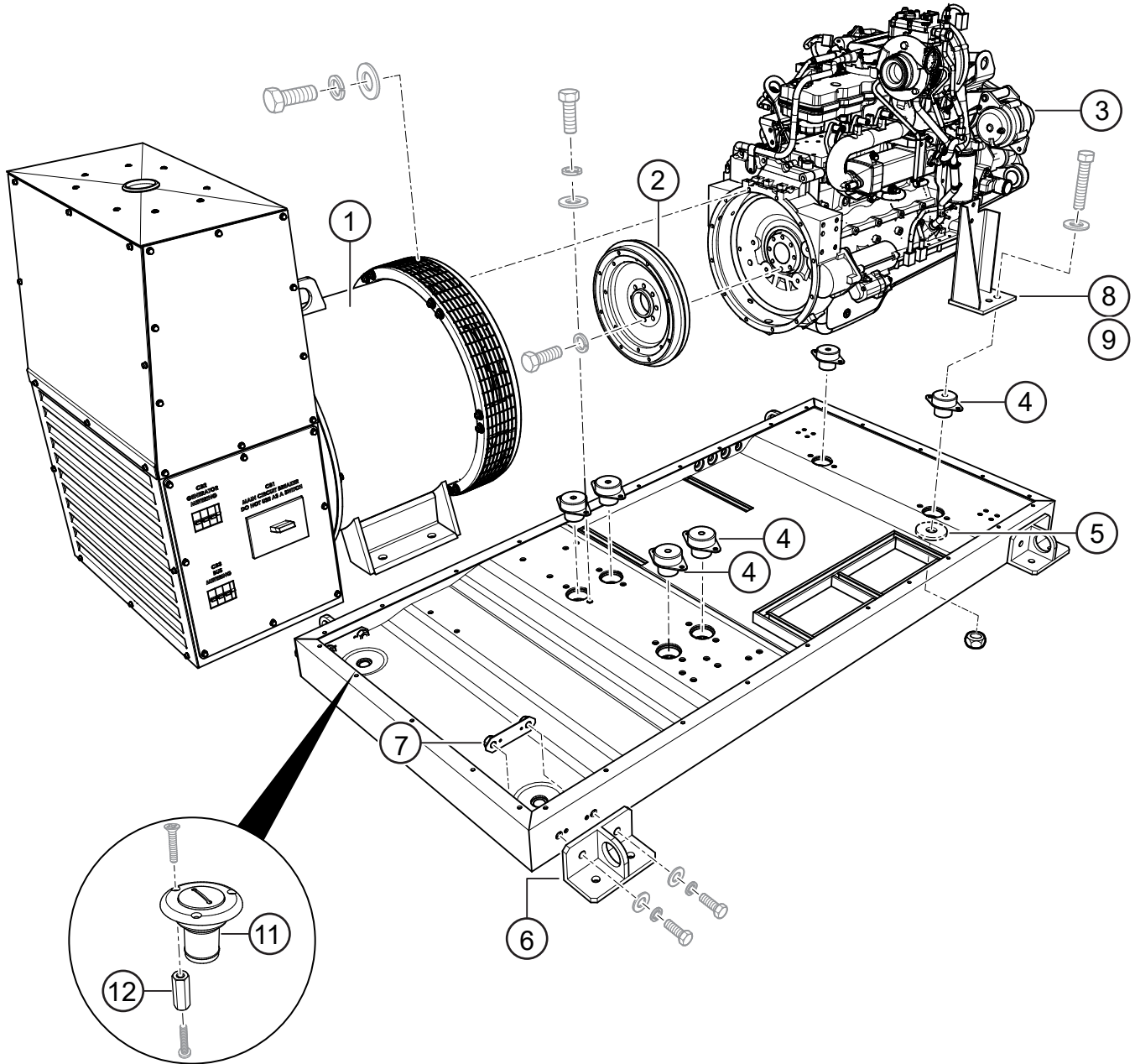
CONTROL BOX (PANEL) ASSY.



CONTROL BOX (PANEL) ASSY.

<u>NO.</u>	<u>PART NO.</u>	<u>PART NAME</u>	<u>QTY.</u>	<u>REMARKS</u>
2	EE55750	PANEL, INSTRUMENT, 5.7" DISPLAY	1	
3	EE55753	5.7" COLOR GRAPHIC DISPLAY	1	
4	EE10390	METER, DIGITAL, RED LED AC VOLTMETER, 0-60	3	
5	EE10391	METER, DIGITAL, RED LED AC AMMETER, 0-1000	1	
6	EE6585	COVER, DIGITAL METER	5	
7	EE2668	SWITCH, ROTARY, VOLTAGE SELECTOR, 20A, AMSO	1	
8	EE10387	METER, DIGITAL, RED LED, FREQUENCY, HERTZ 3	1	
9	EE5663	LED, RED, 24 V, SNAP IN MOUNT, 6" 24 AW	3	
10	EE55761	LIGHT, PANEL, LED POWERED, 12-36 VDC	2	
11	EE43775	RUBBER BUMPER, MALE 5/16-18	1	
14	EE44320	WASHER, 3/16" SPACER	1	
16	EE2619	SWITCH, TOGGLE, DPDT, MOM ON/OFF/MOM ON, SP	1	
17	EE2595	SWITCH, TOGGLE, DPDT, ON/OFF/ON, SCREW TERM.	1	
18	EE2591	SWITCH, TOGGLE, SPST	1	

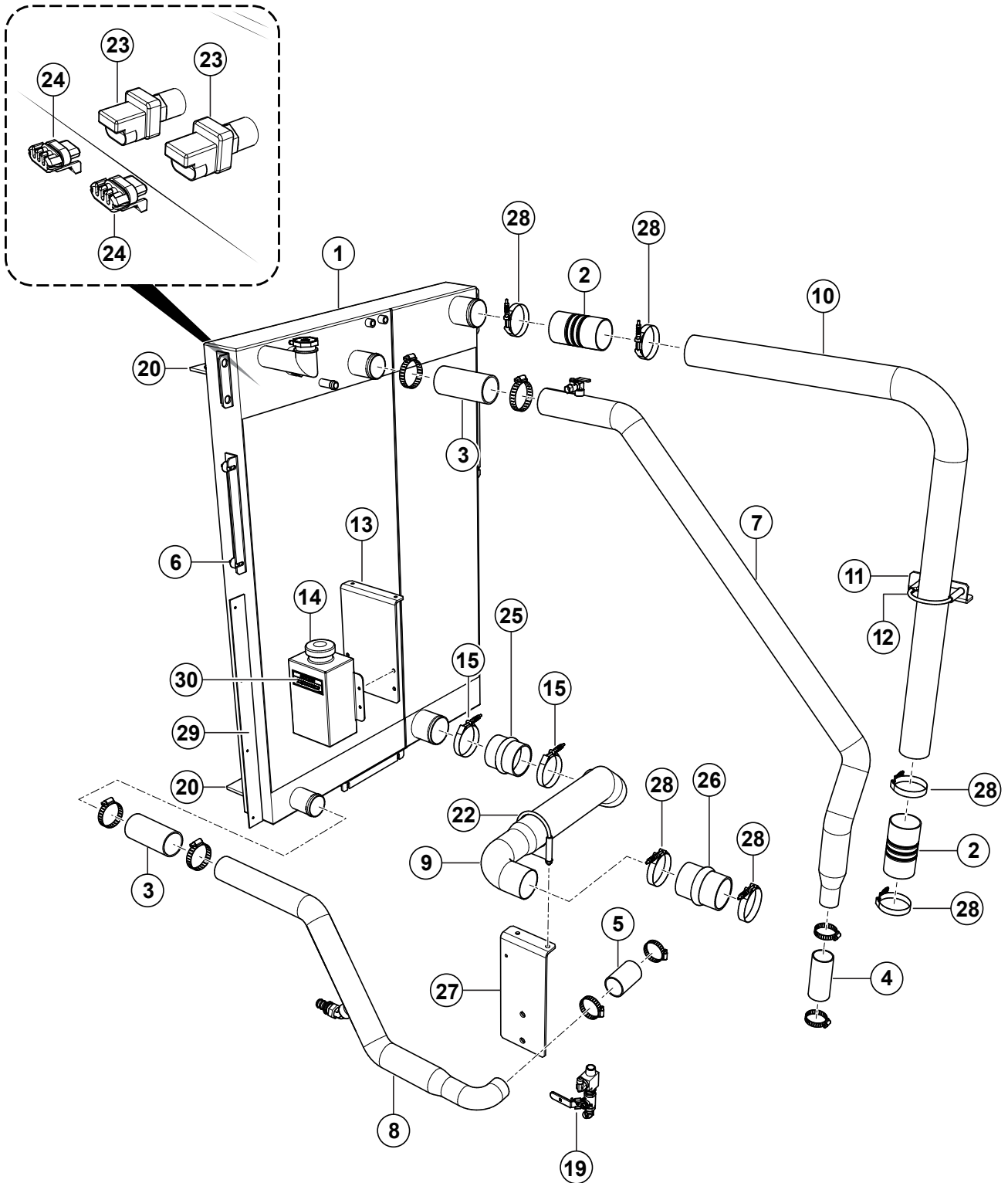
ENGINE/GENERATOR MOUNTING ASSY.



ENGINE/GENERATOR MOUNTING ASSY.

<u>NO.</u>	<u>PART NO.</u>	<u>PART NAME</u>	<u>QTY.</u>	<u>REMARKS</u>
1	EE56515	ALTERNATOR W/SADDLEBOX MOD	1	
2	3973494	FLYWHEEL	1	
3	EE58025	ENGINE, CUMMINS QSB7-G9, TIER 4 FINAL	1	
4	EE56516	CONTACTOR, ABB, 30A, 2NO, 2NC, 24 VDC COIL	6	
5	EE56517	INSULATOR, CIRCUIT BREAKER, 1/16" PHENOLIC	1	
6	EE6487	BRACKET, LIFTING EYE, VERTICAL MTG, STEEL	4	
7	EE6780	NUT PLATE, BASE ASSY., 3/4-10	4	
8	EE54726	MOUNTING LEG, LEFT	1	
9	EE54727	MOUNTING LEG, RIGHT	1	
11	EE55924	DECAL; WATER AND OIL DRAINS, FUEL IN AND OUT	1	
12	EE17201	FITTING, BULKHEAD, BRASS, 1/4" NPT	1	

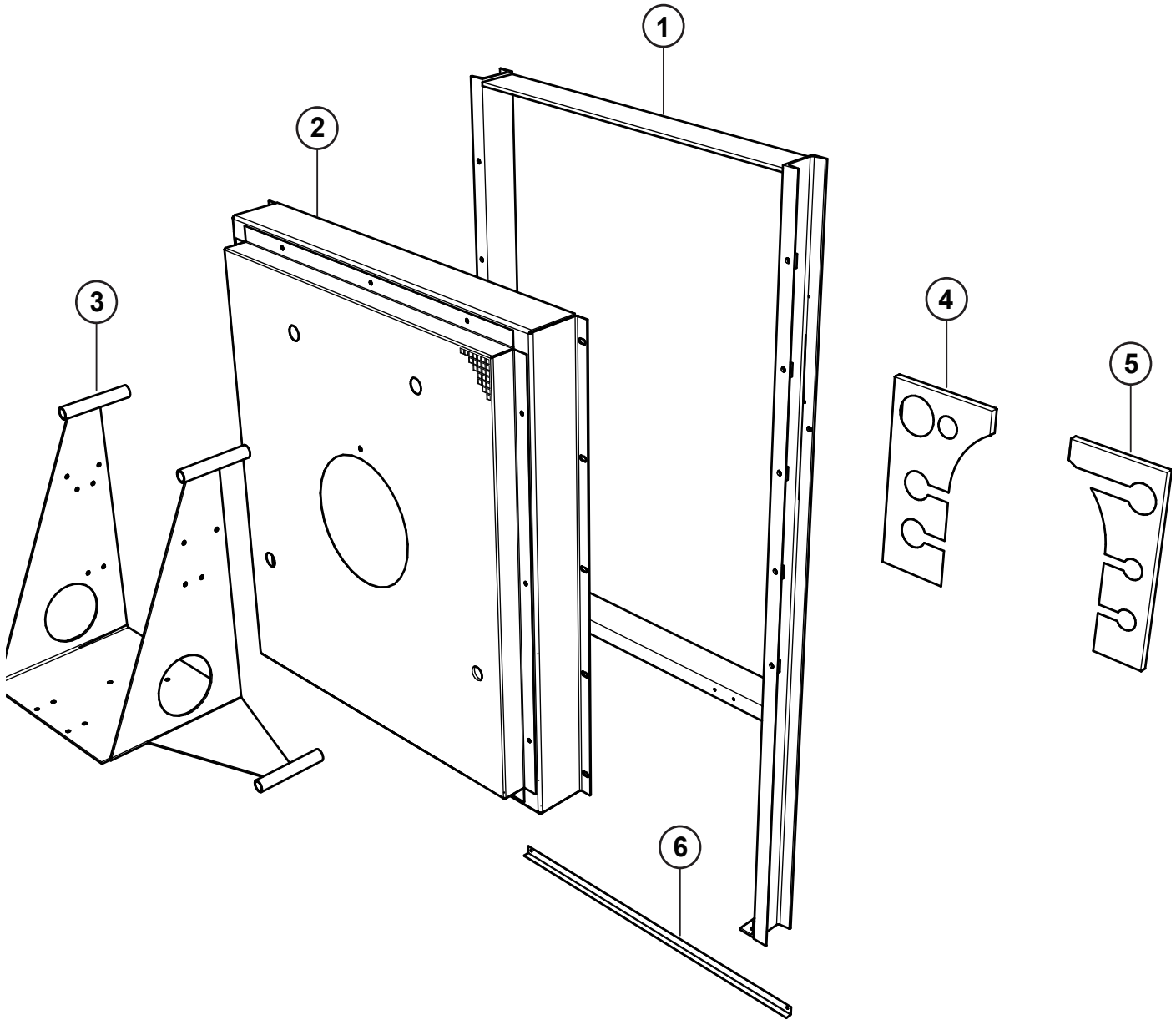
RADIATOR ASSY.



RADIATOR ASSY.

<u>NO.</u>	<u>PART NO.</u>	<u>PART NAME</u>	<u>QTY.</u>	<u>REMARKS</u>
1	EE58282	RADIATOR/CHARGE AIR COOLER	1	
2	EE48686	HOSE, CHARGE AIR COOLER, 3" DIA. X 6"	2	
3	EE16434	HOSE, 2-1/2" X 3'	2	
4	EE16428	HOSE, 1-3/4" X 3'	1	
5	EE16430	HOSE, 2" X 3'	1	
6	EE58463	MOUNT, STUD/PLATE	6	
7	EE58383	TUBING, UPPER WATER LINE	1	
8	EE58382	TUBING, LOWER WATER LINE	1	
9	EE58782	TUBING, LOWER CAC LINE, 3" TO 3.5", SS	1	
10	EE58384	TUBING, UPPER CAC LINE	1	
11	EE58464	BRACKET, 3" U-CLAMP, CAC UPPER LINE, SUPPORT	1	
12	EE16745	CLAMP, U-STYLE, 3" HEAVY DUTY	1	
13	EE58433	BRACKET, OVERFLOW TANK	1	
14	EE54955	OVERFLOW TANK, ALUMINUM, 2/QT.	1	
15	EE55854	CLAMP, SPRING LOADED, 3.5" (97 MM), SS	2	
19	EE18072	VALVE, LOCKING BALL, BRASS, 1/2" FNPT	1	
20	EE58502	FLASHING, COVER FAN	2	
22	EE56209	CLAMP, U-STYLE, 3.5"	1	
23	EE45026	SENSOR, COOLANT LEVEL	2	
24	EE45522	CONNECTOR ASSY.	2	
25	EE58779	HUMP HOSE, 3.5" DIA.	1	
26	EE42343	HUMP HOSE, HIGH TEMP., 3" DIA.	1	
27	EE58776	BRACKET, LOWER CAC TUBING	1	
28	EE58793	T-BOLT BAND CLAMP, 3.30"	6	
29	EE58845	FLASHING, SIDE	2	
30	EE59761	DECAL; OVERFLOW TANK	1	

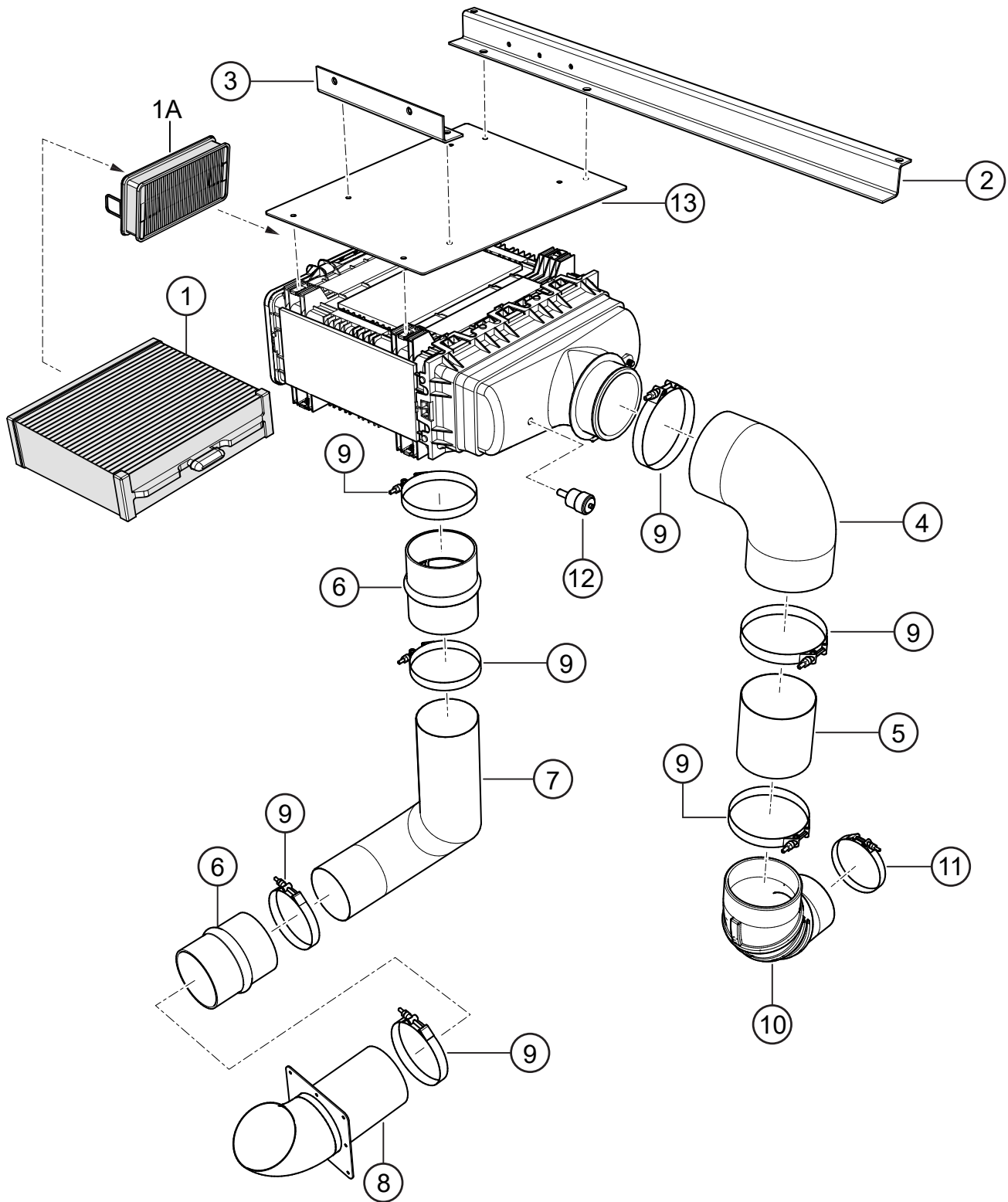
RADIATOR SUPPORT AND FAN MOTOR BRACKET ASSY.



RADIATOR SUPPORT AND FAN MOTOR BRACKET ASSY.

<u>NO.</u>	<u>PART NO.</u>	<u>PART NAME</u>	<u>QTY.</u>	<u>REMARKS</u>
1	EE58296	RADIATOR SUPPORT	1	
2	EE56129	FAN GUARD	1	
3	EE56128	BRACKET, FAN MOTOR	1	
4	EE58377	PANEL, ARC BAFFLE, RIGHT	1	
5	EE58378	PANEL, ARC BAFFLE, LEFT	1	
6	EE58379	L-BRACKET, ARC BAFFLE SUPPORT	1	

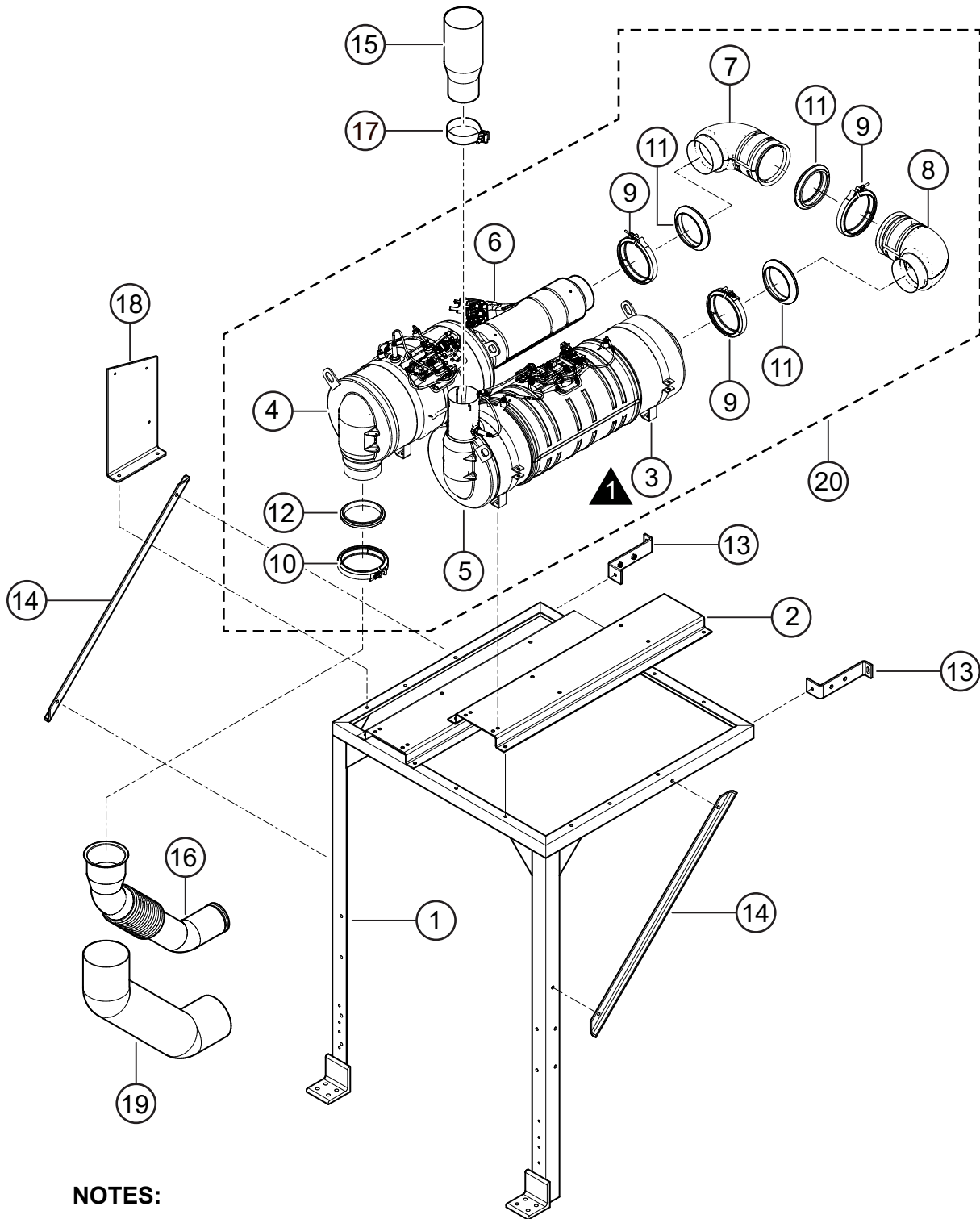
AIR FILTER ASSY.



AIR FILTER ASSY.

<u>NO.</u>	<u>PART NO.</u>	<u>PART NAME</u>	<u>QTY.</u>	<u>REMARKS</u>
1	AF55014	PRIMARY, AIR CLEANER	1	
1A	AF55308	SECONDARY, AIR CLEANER	1	
2	EE58279	Z-BRACKET	1	
3	EE58280	ANGLE BRACKET	1	
4	EE25466	ELBOW, RUBBER, 5"	1	
5	EE58590	TUBE, 5.00" OD X 5.00"	1	
6	EE32335	HUMP HOSE, STR., RUBBER, 5" I.D.	2	
7	EE58387	TUBE, AIR FILTER INLET	1	
8	EE58844	FLANGE AND NIPPLE ASSY., 5" W/60° INLET, SS	1	
9	EE16667	CLAMP, TURBO STYLE, 5"	7	
10	EE10860	ELBOW, RUBBER, REDUCING, 90°, 4" TO 5"	1	
11	EE16666	CLAMP, 4"	1	
12	EE26294	INDICATOR, AIR FILTER	1	
13	EE58819	PLATE, AIR FILTER MOUNTING	1	

EXHAUST SYSTEM ASSY.



NOTES:

- 1** ITEM 3 IS NOT INCLUDED WITH ITEM 20.

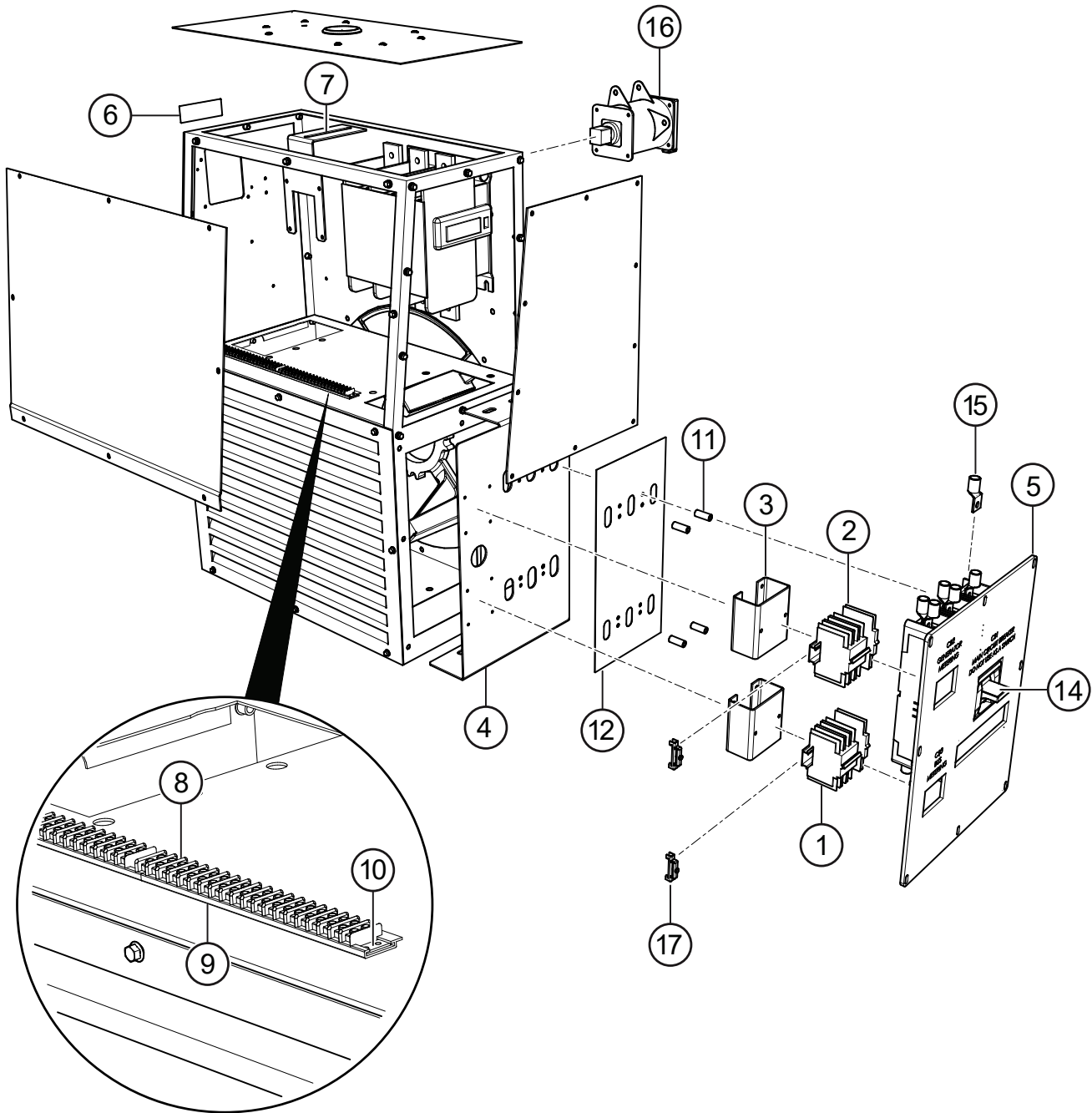
EXHAUST SYSTEM ASSY.

<u>NO.</u>	<u>PART NO.</u>	<u>PART NAME</u>	<u>QTY.</u>	<u>REMARKS</u>
1	EE58276	WELDMENT, MUFFLER SUPPORT	1	
2	EE58277	HAT SECTION, DOC AND SCR	2	
3	EE58736	MOUNTING BAND, 11-1/2" ROUND	4	
4\$		DOC MODULE, 5" SPHERICAL OUTLET, 24V	1	NOT SOLD SEPARATELY
5\$		SCR MODULE, 5" SPHERICAL INLET, 4" SLIP, 24V	1	NOT SOLD SEPARATELY
6\$		DECOMP KIT (DRT), 5" SPHERICAL	1	NOT SOLD SEPARATELY
7\$		90° ELBOW, 5" SPHERICAL	1	NOT SOLD SEPARATELY
8\$		90° ELBOW, 5" SPHERICAL	1	NOT SOLD SEPARATELY
9\$		5" SPHERICAL CLAMP	4	NOT SOLD SEPARATELY
10\$		5" 20° MARMON CLAMP	1	NOT SOLD SEPARATELY
11\$		GASKET, SPHERICAL 5"	4	NOT SOLD SEPARATELY
12\$		GASKET, MARMON, 5"	1	NOT SOLD SEPARATELY
13	EE58303	BRACKET, ANGLE, EXHAUST SYSTEM, ZINC PLTD.	2	
14	EE58305	DIAGONAL SUPPORT, 45°	2	
15	EE58584	TAIL PIPE ASSY., 5.00" OD EXPANDED, SS	1	
16	EE58386	EXHAUST FLEX TUBING	1	
17	EE58585	CLAMP, 4" DIA.	1	
18	EE58802	BRACKET, DEF COOLANT LINE SUPPORT	1	
19	EE58835	BLANKET, EXHAUST FLEX TUBING	1	
20	EE58259	EXHAUST ASSY.	1	INCLUDES ITEMS W/\$

SADDLE BOX ASSY. (EE56762 - 1400 AMP.)

<u>NO.</u>	<u>PART NO.</u>	<u>PART NAME</u>	<u>QTY.</u>	<u>REMARKS</u>
1	EE2767	SWITCH, VOLTAGE SELECTOR, 100KW, 3-POS.	1	
2	EE2996	CONTACTOR, 24VDC, 600V, 30A	1	
3	EE7392	BRACKET, MTG. SWITCH TO SADDLE BOX, STEEL	1	
4	EE7330	DECAL; CAUTION	1	
5	EE24369	CIRCUIT BREAKER, 600A, 3P	1	SHUNT AND AUX. SW. INCLUDED
6	EE55784	CIRCUIT BREAKER, 3P, 10A, UL@480V	2	
7	EE55785	SWITCH, AUXILIARY	2	
8	EE56233	HAT SECTION, ABB CIRCUIT BREAKER	2	
9	EE5816	BUSS FUSE BLOCK HOLDER	1	
10	EE5810	FUSE, MIDGET STYLE, 30/50A	2	
11	EE5812	FUSE, MIDGET STYLE, 10A	1	
12	EE56234	BRACKET, MAIN CIRCUIT BREAKERS	1	
13	EE56517	INSULATOR, CIRCUIT BREAKER, 1/16" PHENOLIC	1	
14	EE56732	SPACER, 0.5" OD X 0.25" ID X 1.25" LG, ALUMINUM	4	
15	EE56232	PANEL, SILKSCREENED, CIRCUIT BREAKER	1	
16	EE42475	LUG, 3/8" BOLT, 4/0 CABLE, COLOR CODED	12	
17	EE56858	TERMINAL BLOCK, 18 POS, SPRING CAGE CLAMP	2	
18	EE58791	TERMINAL BLOCK, 15 WAY, 300 VAC	1	
19	EE2940	END STOP, DIN RAIL	6	

SADDLE BOX ASSY. (EE56518)



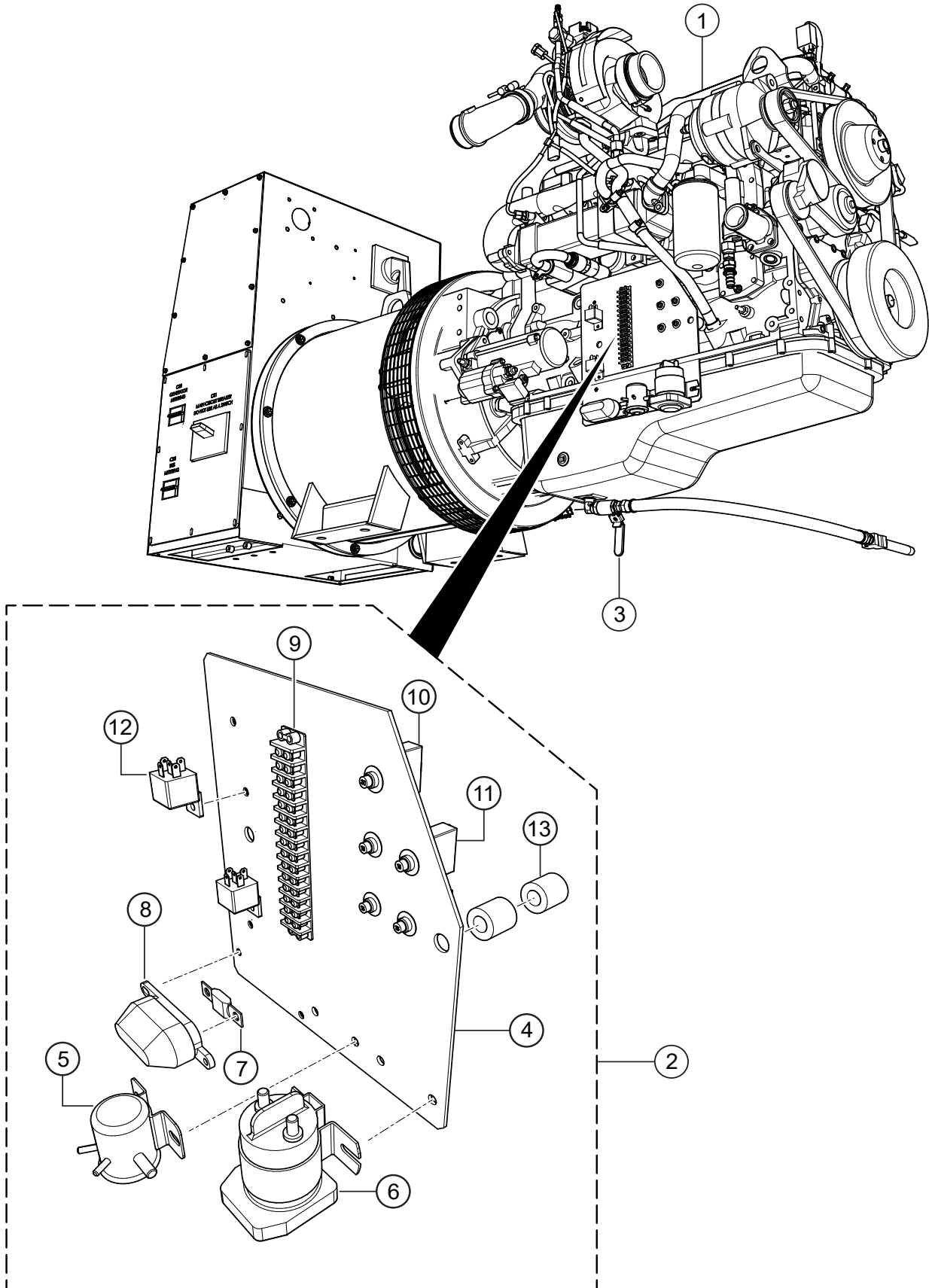
SADDLE BOX ASSY. (EE56518)

<u>NO.</u>	<u>PART NO.</u>	<u>PART NAME</u>	<u>QTY.</u>	<u>REMARKS</u>
1	EE55784	CIRCUIT BREAKER, 3P, 10A, UL@480V	2	
2	EE55785	SWITCH, AUXILIARY	2	
3	EE56233	HAT SECTION	2	
4	EE56234	BRACKET, MAIN CIRCUIT BREAKERS	1	
5	EE56294	PANEL, CIRCUIT BREAKERS	1	
6	EE7330	DECAL; CAUTION, DO NOT SWITCH	1	
7	EE7392	BRACKET	1	
8	EE9954	BLOCK, BLUE FLEXI TERMINAL	40	
9	EE9983	TRACK, FLEXI BLOCK, TERMINAL STRIP	2	
10	EE9985	STOP, BLUE FLEXI BLOCK, TERMINAL	3	
11	EE56511	SPACER, 1/4" ID X 5/8" OD X 1/2" LG.	4	
12	EE56517	INSULATOR, CIRCUIT BREAKER	1	
14	EE56295	CIRCUIT BREAKER	1	
15	EE42475	LUG, 3/8"	12	
16	EE2778	SWITCH, 2-POS/ZAG, VOLTAGE SELECT.	1	
17	EE2940	END STOP, DIN RAIL	2	

SADDLE BOX ASSY. (EE56444)

<u>NO.</u>	<u>PART NO.</u>	<u>PART NAME</u>	<u>QTY.</u>	<u>REMARKS</u>
1	EE55784	CIRCUIT BREAKER, 3P, 10A, UL@480V	2	
2	EE55785	SWITCH, AUXILIARY	2	
3	EE56233	HAT SECTION	2	
4	EE56234	BRACKET, MAIN CIRCUIT BREAKERS	1	
5	EE56294	PANEL, CIRCUIT BREAKERS	1	
6	EE7330	DECAL; CAUTION, DO NOT SWITCH	1	
7	EE7392	BRACKET	1	
8	EE9954	BLOCK, BLUE FLEXI TERMINAL	40	
9	EE9983	TRACK, FLEXI BLOCK, TERM STRIP	2	
10	EE9985	STOP, BLUE FLEXI BLOCK, TERMINAL	3	
11	EE56511	SPACER, 1/4" ID X 5/8" OD X 1/2" LG	4	
12	EE56517	INSULATOR, CIRCUIT BREAKER	1	
14	EE56295	CIRCUIT BREAKER	1	
15	EE42475	LUG, 3/8"	12	
16	EE2763	SWITCH, RECONNECT, 2 POS 480-208, 276KW	1	
18	EE2940	END STOP, DIN RAIL	2	

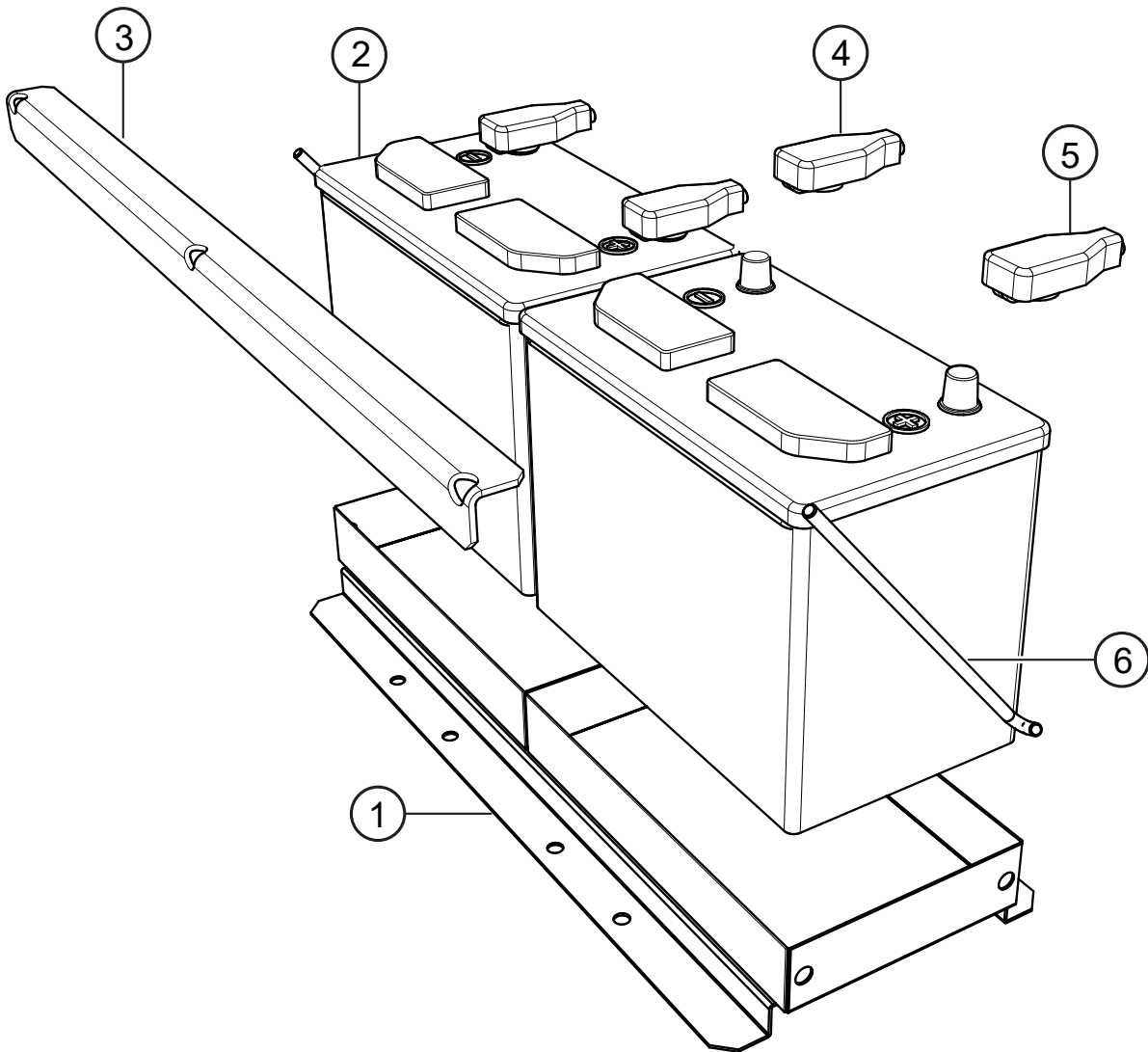
STARTER AND RELAYS ASSY.



STARTER AND RELAYS ASSY.

<u>NO.</u>	<u>PART NO.</u>	<u>PART NAME</u>	<u>QTY.</u>	<u>REMARKS</u>
1	EE58025	ENGINE, CUMMINS TIER 4 FINAL	1	
2	EE58794	STARTER RELAY ASSY.	1	INCLUDES ITEMS W/#
3	EE18072	VALVE, LOCKING BALL, BRASS, 1/2" FNPT	1	
4#	EE58795	PANEL, STARTER RELAY	1	
5#	EE2917	RELAY, STARTER SOLENOID, 24V	1	
6#	EE39225	SOLENOID, 24V	1	
7#	EE58758	FUSE, 150A, 32VDC	1	
8#	EE58759	FUSE HOLDER	1	
9#	EE58791	TERMINAL BLOCK, 15 WAY, 300 VAC	1	
10#	EE10881	BREAKER, CIRCUIT, PUSHBUTTON, 30A	1	
11#	EE10878	BREAKER, CIRCUIT, PUSHBUTTON, 15A	4	
12#	EE2923	RELAY, 24V	2	
13#	EE55839	SPACER, 1/2" ID. X 1", ALUMN.	4	

BATTERY ASSY.



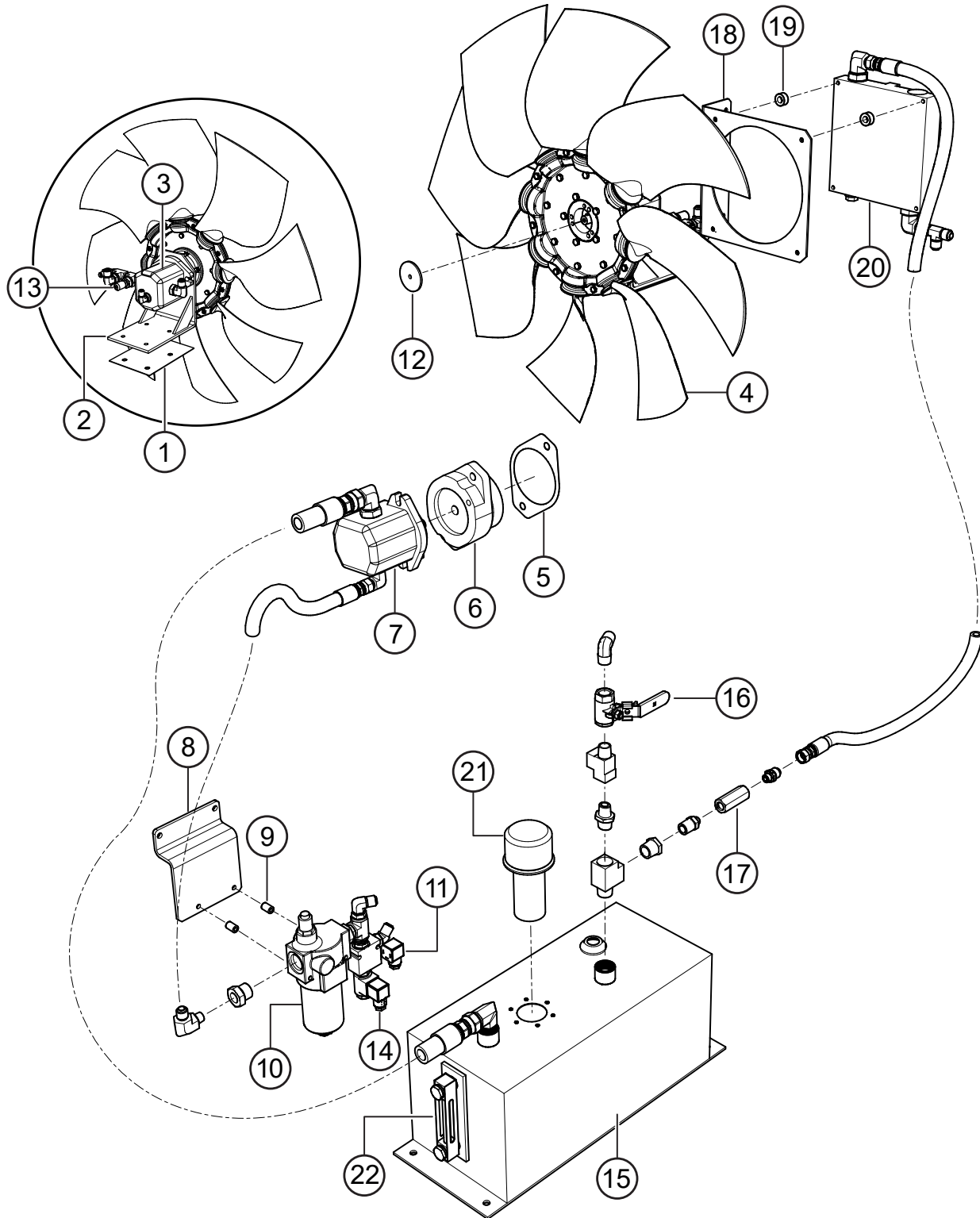
BATTERY ASSY.

<u>NO.</u>	<u>PART NO.</u>	<u>PART NAME</u>	<u>QTY.</u>	<u>REMARKS</u>
1	EE7752	TRAY, BATTERY	1	
2	EE11875IS	BATTERY, GROUP-27	2	
3	EE7791	BRACKET, HOLD DOWN ANGLE	1	
4	EE23248	BOOT COVER, TERMINAL, NEGATIVE BLACK	2	
5	EE23247	BOOT COVER, TERMINAL, POSITIVE RED	2	
6	EE34486	J-BOLT, BATTERY, 10.38" LONG	2	

FUEL SYSTEM ASSY.

<u>NO.</u>	<u>PART NO.</u>	<u>PART NAME</u>	<u>QTY.</u>	<u>REMARKS</u>
1	FS1098	WATER/FUEL SEPARATOR	1	
2	EE56235	BRACKET, FUEL FILTERS	1	
3	EE48479	HOSE BARB, STEEL, 1/2"	3	
4	EE55857	CHECK VALVE, BALL CONE, 1/2" NPT FEM, SS	1	
5	EE49411	NIPPLE, 1/2" NPT X 4" LG, STEEL, BLACK	1	
6#	EE49109	NUT, THIN, HEX, 18-8, SS	2	
7#	EE49110	WASHER, LOCK, INTERNAL TOOTH, 1-1/8"	2	
8#	EE48788	BULKHEAD FITTING ASSY., 1/2" NPT, SS	2	
9	EE10619	FILTER, VOLUME CHAMBER	1	
10	EE48478	HOSE BARB, STEEL, 3/8"	1	
12	EE56418	FUEL ASSY., B-20 BIODIESEL UPGRADE	1	INCLUDES ITEMS W/#
13	EE58670	STRAINER/PRE-FILTER	1	

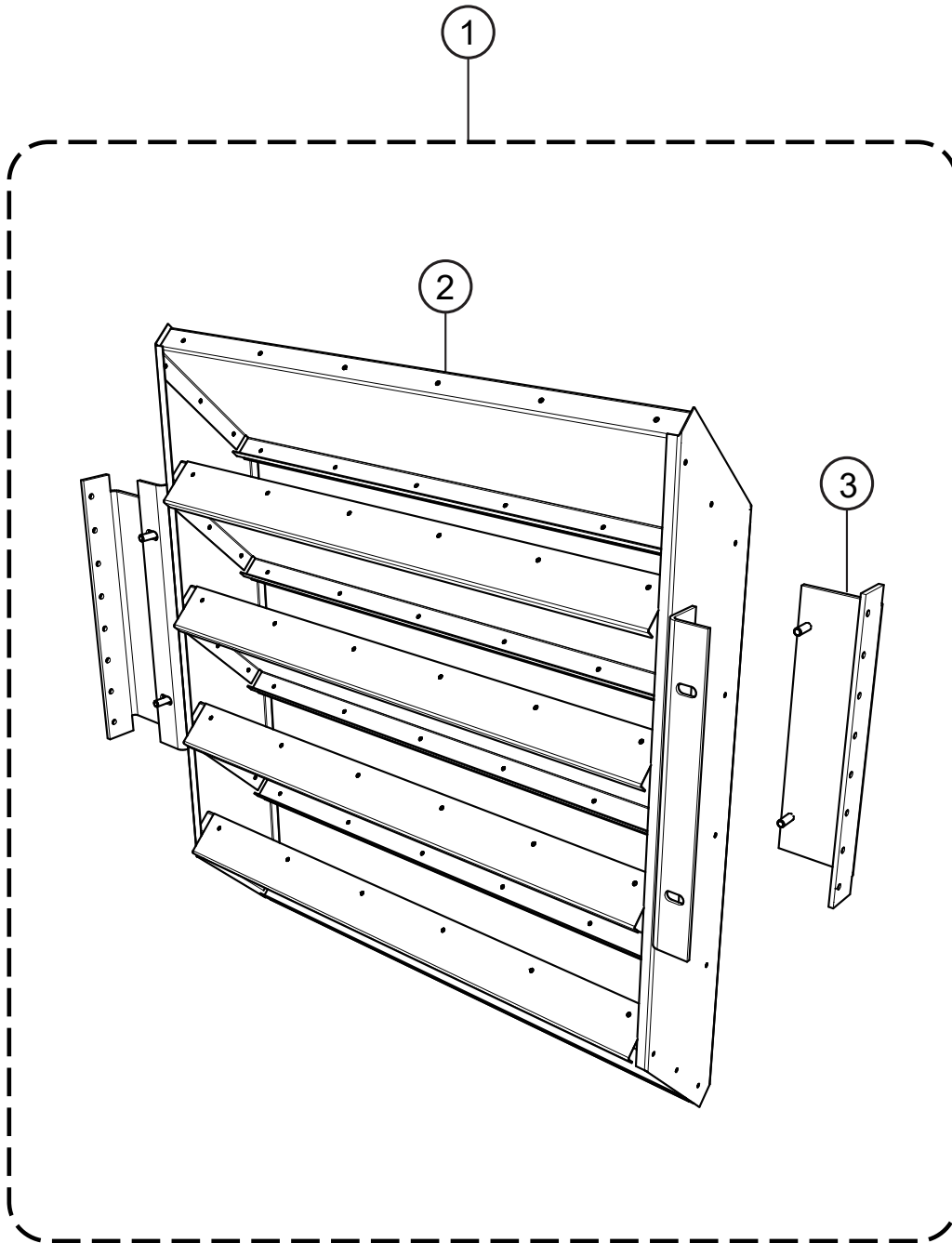
HYDRAULIC FAN, PUMP AND CONTROLLER ASSY.



HYDRAULIC FAN, PUMP AND CONTROLLER ASSY.

<u>NO.</u>	<u>PART NO.</u>	<u>PART NAME</u>	<u>QTY.</u>	<u>REMARKS</u>
1	EE58321	SHIM, 7" X 5.25" X .06 THICK	2	
2	EE58316	BRACKET, HYD. MOTOR, FLANGE MTD.	1	
3	EE42215	MOTOR, HYD., 11 CC/REV, 5/8" DIA. X 2" L SHAFT	1	
4	EE58315	FAN, 30", 8 BLADE, 30°, MULTI-WING	1	
5	EE58847	GASKET, REINFORCED	1	
6	EE54878	HYDRAULIC PUMP ADAPTOR	1	
7	EE55927	PUMP, HYD., 0.88 CU. IN/REV, CCW	1	
8	EE58381	Z-BRACKET, HYDRAULIC FILTER	1	
9	EE42719	SPACER, 1/2" OD X 1/4" ID X 3/4" L	2	
10	EE42217	FILTER, MEDIUM PRESSURE, 4000 PSI, 12 GPM	1	
11	EE41837	CONNECTOR, DIN, PROPORTIONAL SOLENOID	2	
12	EE42988	WASHER, SAFETY, HYDRAULIC FAN	1	
13	EE41126	TEST FITTING, PRESSURE GAUGE	1	
14	EE42147	PROPORTIONAL RELIEF VALVE W/BODY, 3000 PSI	1	
15	EE58516	TANK ASSY., 7 GAL., HYD. RESERVOIR	1	
16	EE18072	VALVE, LOCKING BALL, BRASS, 1/2" FNPT	1	
17	EE42220	CHECK VALVE, HYDRAULIC	1	
18	EE58380	BRACKET, OIL COOLER	1	
19	EE42720	SPACER, 1/2" OD X 1/4" ID X 1/4" L	4	
20	EE42213	HEAT EXCHANGER, OIL/AIR	1	
21	EE41067	FILLER ASSY. W/4" STRAINER	1	
22	EE42758	SIGHT LEVEL GAUGE, 5"	1	

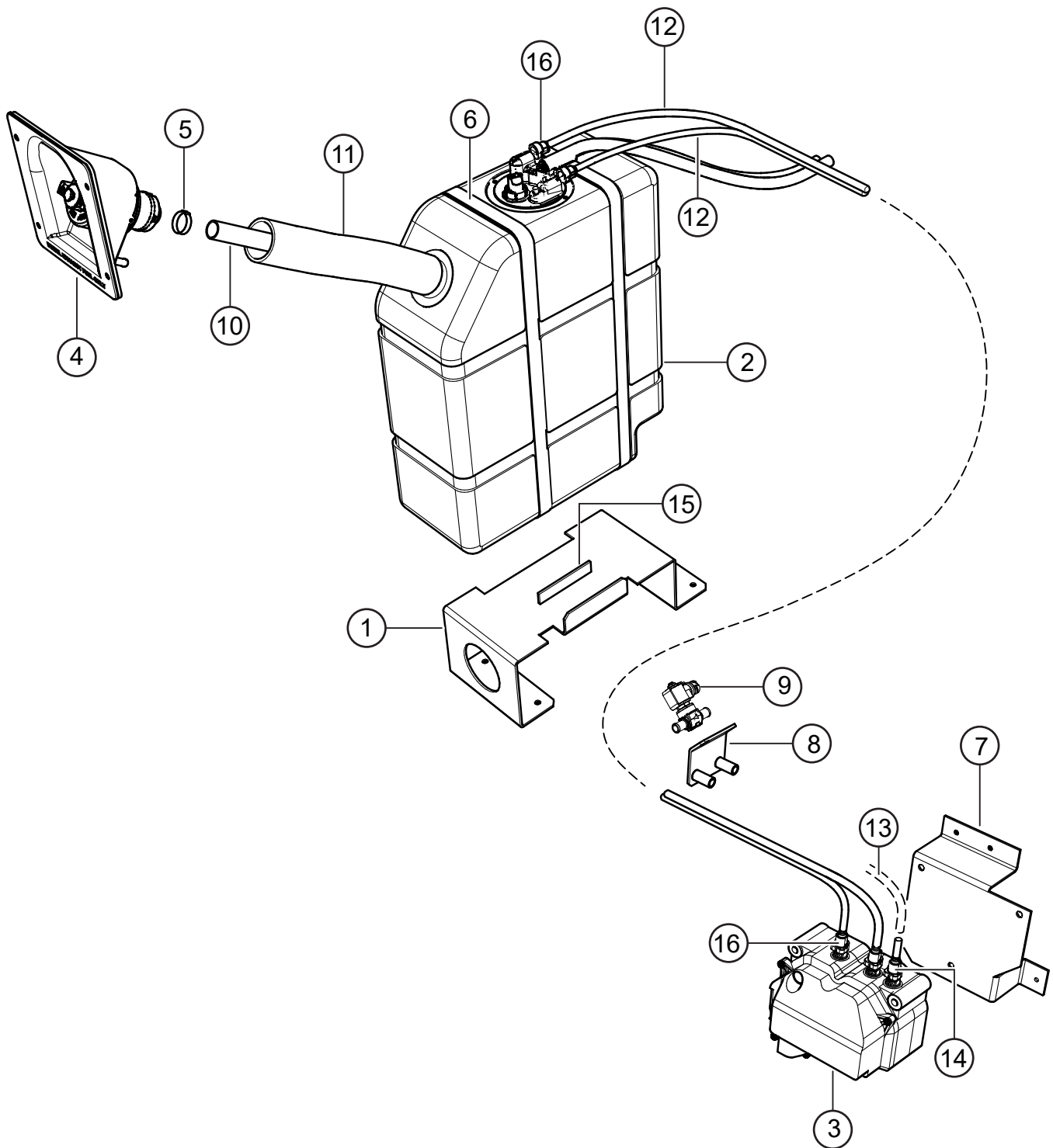
BAFFLE ASSY.



BAFFLE ASSY.

<u>NO.</u>	<u>PART NO.</u>	<u>PART NAME</u>	<u>QTY.</u>	<u>REMARKS</u>
1	EE58438	5 STEP BAFFLE ASSY.....	1.....	INCLUDES ITEMS W/#
2#	EE60626	BAFFLE, 5 STEP, ALUMN.	1	
3#	EE58439	ANGLE, STEP BAFFLE	2	

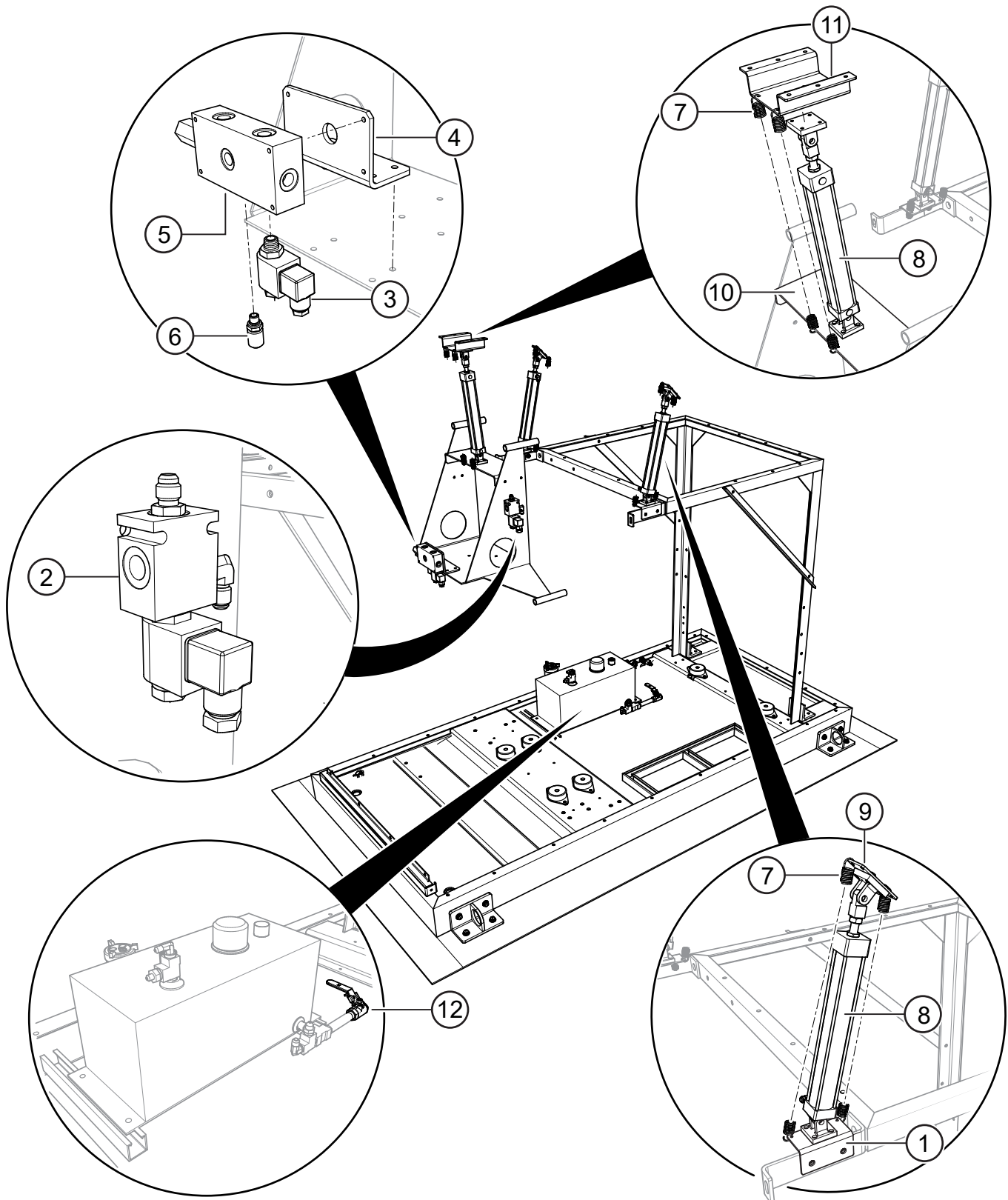
DEF DOSING SYSTEM ASSY.



DEF DOSING SYSTEM ASSY.

<u>NO.</u>	<u>PART NO.</u>	<u>PART NAME</u>	<u>QTY.</u>	<u>REMARKS</u>
1	EE58404	BRACKET, DEF TANK	1	
2	EE61340	TANK ASSY., 10 GAL. DEF.....	1	REPLACES P/N EE58465
3	EE58025-4	SUPPLY MODULE, 24V	1	
4	EE58466	REMOTE FILL W/CAP, DEF, SEALED, ASSY.	1	
5	EE58469	CLAMP, CRIMP	1	
6	EE58995	STRAP, SQUEEZE REL., 1" X 6', BLK. NYLON	2	
7	EE58613	BRACKET, DEF SUPPLY MODULE	1	
8	EE58790	BRACKET, DEF COOLANT VALVE	1	
9	EE58495	VALVE, CONTROL, BRASS, COOLANT, 5/8"	1	
10	EE58467	HOSE, INNER, 14.5" LONG	1	
11	EE58468	HOSE, OUTER, 13.25" LONG	1	
12	EE58498	DEF HEATED HOSE, SUCTION/RETURN LINES	2	
13	EE58497	DEF HEATED HOSE, PRESSURE LINE	1	
14	EE58499	QUICK CONN. FITTING, 3/8" SAE J2044, STR.	1	
15		WEATHERSTRIP, 1"X5.5"X.25".....	1	OBTAIN LOCALLY
16	EE58807	QUICK CONN. FITTING, 3/8" SAEJ2044, 90°	2	

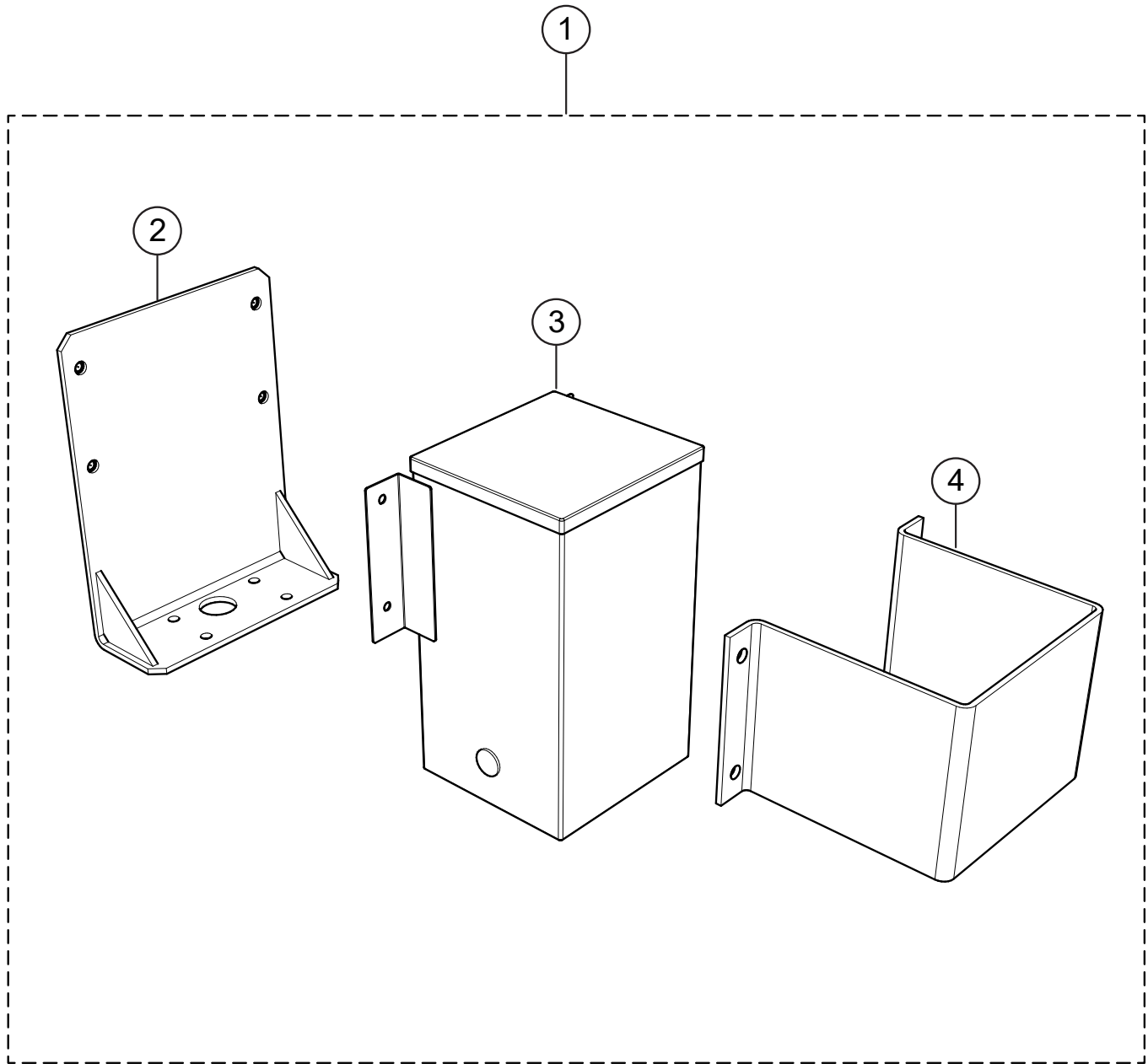
VENT ACTUATORS ASSY.



VENT ACTUATORS ASSY.

<u>NO.</u>	<u>PART NO.</u>	<u>PART NAME</u>	<u>QTY.</u>	<u>REMARKS</u>
1	EE58304	BRACKET, ACTUATOR, SUPPORT	2	
2	EE46266	SOLENOID VALVE, 3-WAY, 24V, 3/8" PORTS	1	
3	EE41837	CONN, DIN, PROPORTIONAL SOLENOID	2	
4	EE58454	BRACKET, HYD. ACTUATOR MANIFOLD, TIER 4F	1	
5	EE47423	MANIFOLD, HYDRAULIC ACTUATORS, 150 PSI, 24V	1	
6	EE41126	TEST FITTING, PRESSURE GAUGE	1	
7	EE58288	SPRING, EXTENSION, .718" OD X 14.5" LONG	6	
8	EE46373	HYDRAULIC CYLINDER, 1-1/2" X 10" STROKE	3	
9	EE58456	BRACKET, ACTUATOR INTAKE, PLATE	2	
10	EE58455	BRACKET, ACTUATOR INTAKE, BOTTOM	1	
11	EE58457	BRACKET, ACTUATOR INTAKE, TOP	1	
12	EE18072	VALVE, LOCKING BALL, BRASS, 1/2" FNPT	1	

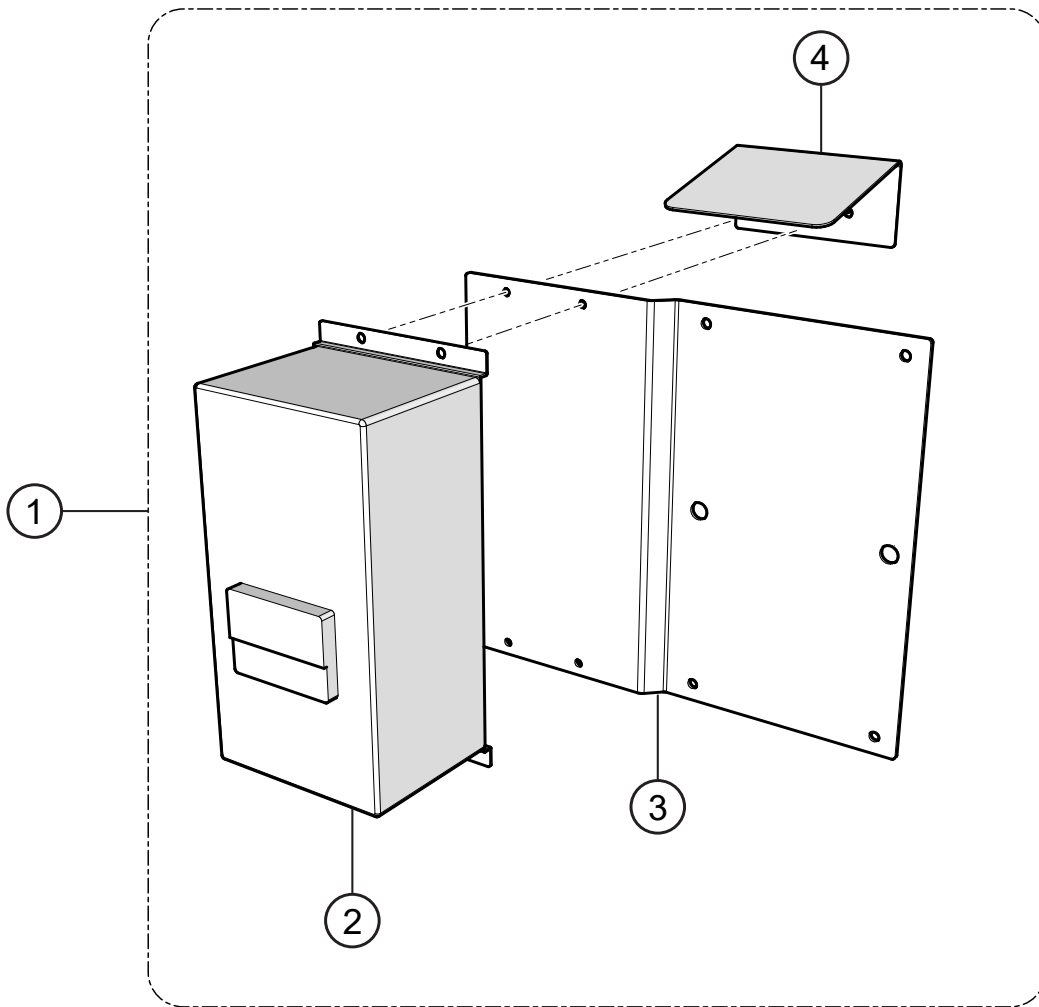
TRANSFORMER (ADD-ON OPTION)



TRANSFORMER (ADD-ON OPTION)

<u>NO.</u>	<u>PART NO.</u>	<u>PART NAME</u>	<u>QTY.</u>	<u>REMARKS</u>
1	EE58619	TRANSFORMER ASSY., 3 KVA	1	INCLUDES ITEMS W/#
2#	EE58620	BRACKET, 3KVA TRANS., STEEL	1	
3#	EE55779	TRANSFORMER, 3 KVA	1	
4#	EE56719	HAT SECTION, 3 KVA TRANS., ALUMN.	1	

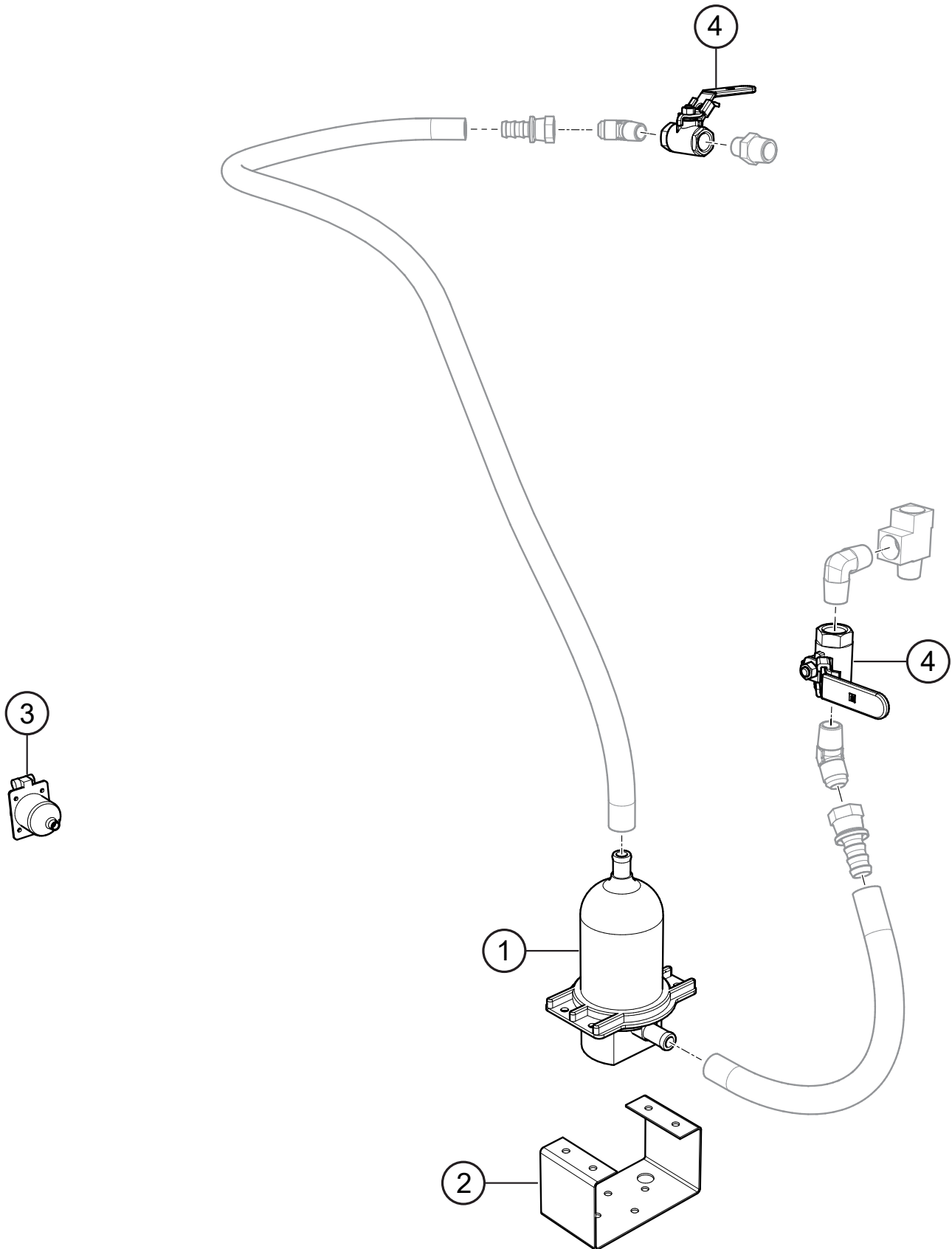
BATTERY CHARGER (ADD-ON OPTION)



BATTERY CHARGER (ADD-ON OPTION)

<u>NO.</u>	<u>PART NO.</u>	<u>PART NAME</u>	<u>QTY.</u>	<u>REMARKS</u>
1	EE59039	BATTERY CHARGER ASSY. 3.5A.....	1.....	INCLUDES ITEMS W/#
2#	LC245002	BATTERY CHARGER	1	
3#	EE59038	BRACKET	1	
4#	EE36506	COVER	1	

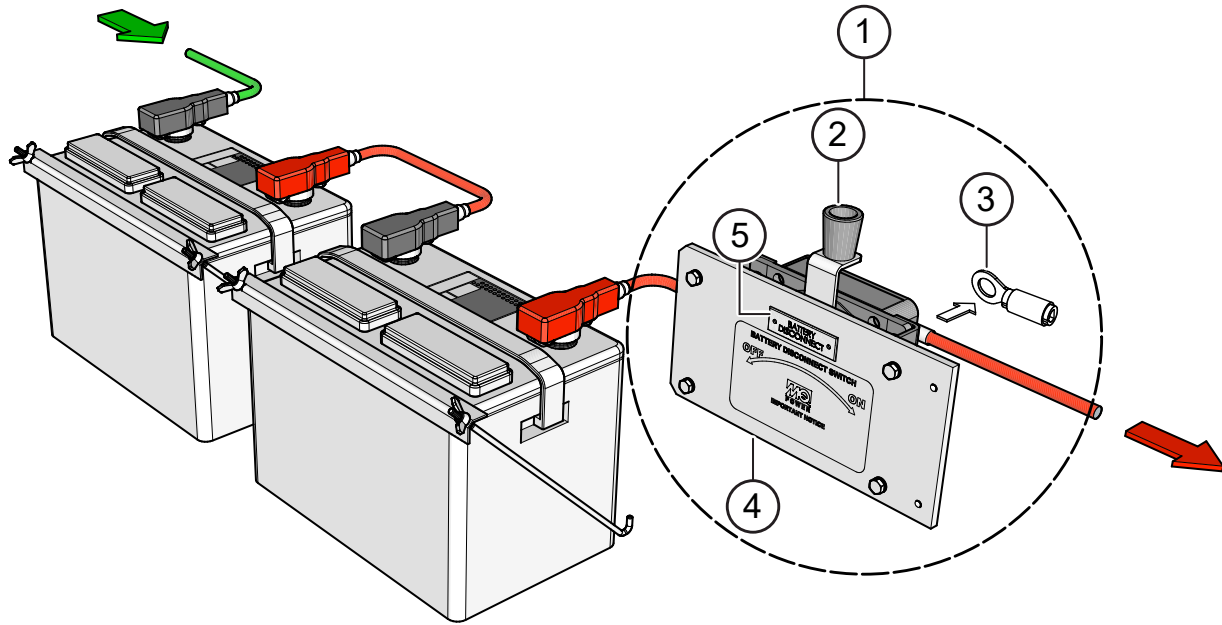
BLOCK HEATER (ADD-ON OPTION)



BLOCK HEATER (ADD-ON OPTION)

<u>NO.</u>	<u>PART NO.</u>	<u>PART NAME</u>	<u>QTY.</u>	<u>REMARKS</u>
1	EE58959	HEATER, 120V	1	
2	EE1266	MOUNTING BRACKET	1	
3	EE6099	FLANGE INLET, WEATHERPROOF, COVER, MALE	1	
4	EE18072	VALVE, LOCKING BALL	2	

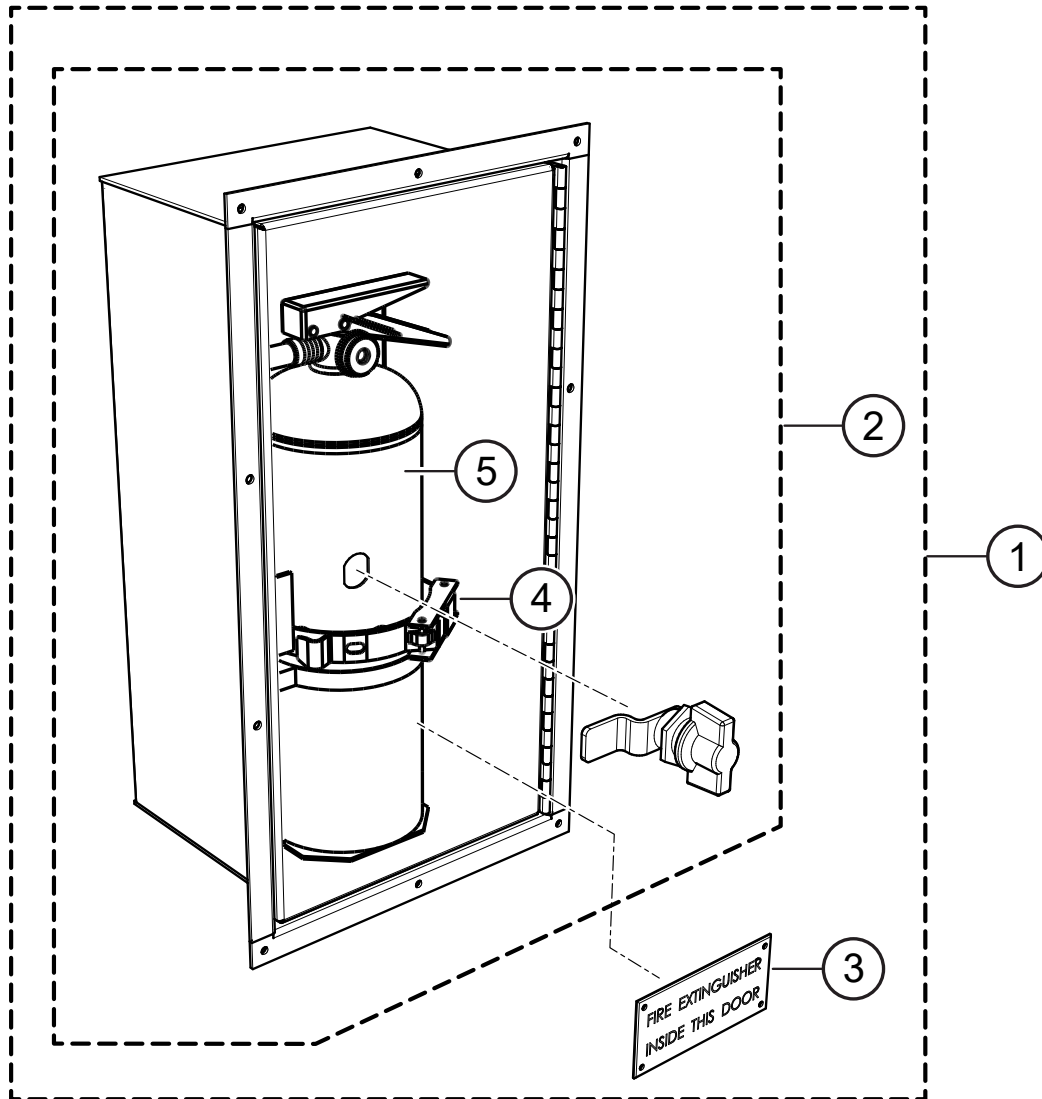
BATTERY DISCONNECT (ADD-ON OPTION)



BATTERY DISCONNECT (ADD-ON OPTION)

<u>NO.</u>	<u>PART NO.</u>	<u>PART NAME</u>	<u>QTY.</u>	<u>REMARKS</u>
1	EE58902	BATTERY DISCONNECT SWITCH ASSY.....	1.....	INCLUDES ITEMS W/#
2#	EE25835	SWITCH, BATTERY DISCONNECT 400A, LEVER	1	
3#	EE10150	TERMINAL, 1/0 CABLE, 3/8 EYE	2	
4#	EE58901	BRACKET, FLAT	1	
5#	EE32432	DECAL; "BATTERY DISCONNECT"	1	

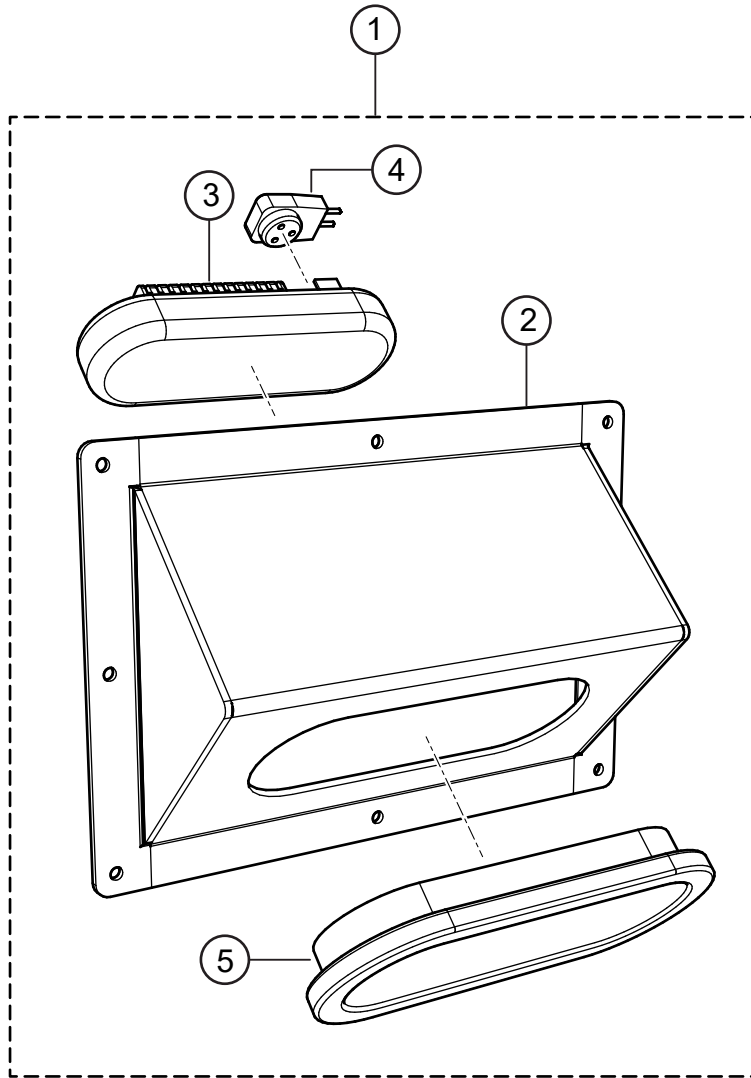
FIRE EXT. ENCLOSURE (ADD-ON OPTION)



FIRE EXT. ENCLOSURE (ADD-ON OPTION)

<u>NO.</u>	<u>PART NO.</u>	<u>PART NAME</u>	<u>QTY.</u>	<u>REMARKS</u>
1	EE23770	FIRE EXTINGUISHER ASSY., DOOR MOUNT	1	INCLUDES ITEMS W/#
2#	EE6594	BOX, FIRE EXTINGUISHER	1	INCLUDES ITEMS W/%
3#	EE2050	DECAL; PLASTIC ACRYLIC	1	
4#%	EE33914	BRACKET, FIRE EXTINGUISHER	1	
5#%	EE30736	FIRE EXTINGUISHER, 5 LB	1	

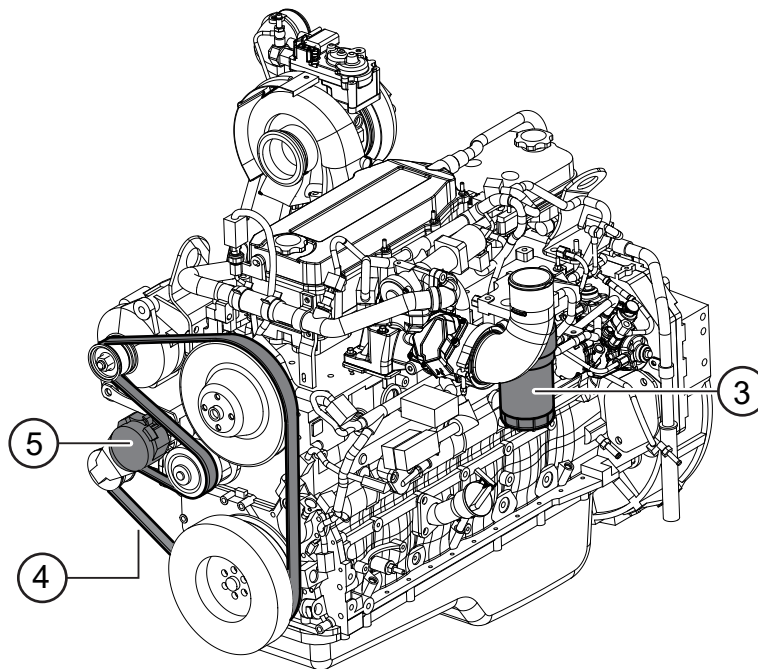
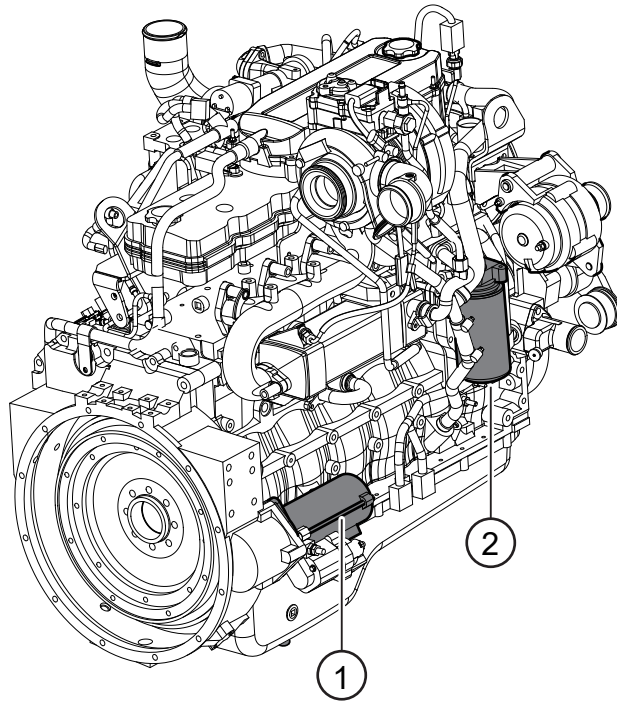
EXTERIOR LED LIGHT (ADD-ON OPTION)



EXTERIOR LED LIGHT (ADD-ON OPTION)

<u>NO.</u>	<u>PART NO.</u>	<u>PART NAME</u>	<u>QTY.</u>	<u>REMARKS</u>
1	EE58850	EXTERIOR LIGHTS, 12V LED	4.....	INCLUDES ITEMS W/#
2#	EE7745	BRACKET	4	
3#	EE58851	LAMP, WHITE LED 12V	4	
4#	EE58852	PIGTAIL, LED LAMP	4	
5#	EE26313	GROMMET	4	

ENGINE SERVICE PARTS



ENGINE SERVICE PARTS

<u>NO.</u>	<u>PART NO.</u>	<u>PART NAME</u>	<u>QTY.</u>	<u>REMARKS</u>
1	4996707	STARTER	1	
2	LF3970	OIL FILTER ELEMENT	1	
3	FF63009	FUEL FILTER ELEMENT	1	
4	3979344	V-BELT	1	
5	5312297	WATER PUMP	1	