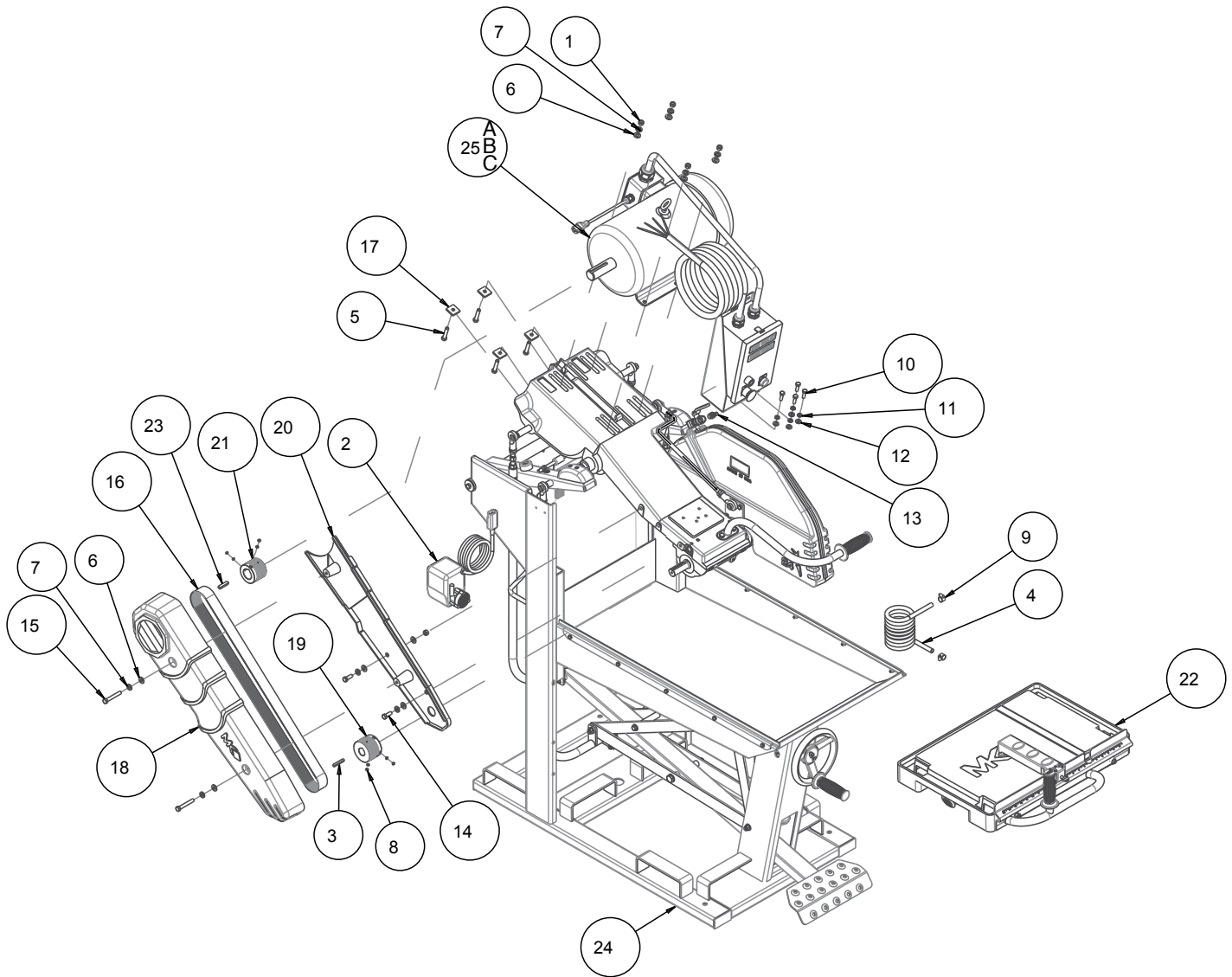


FIGURE 1 - MK-5010S BLOCK SAW 10HP 1PH 230V 24" BG P/N 169328  
 FIGURE 1 - MK-5010T BLOCK SAW 10HP 3PH 230V 24" BG P/N 169330  
 FIGURE 1 - MK-5010T BLOCK SAW 10HP 3PH 460V 24" BG P/N 169331



SUBSTITUTION TABLE		ITEM 13	ITEM 19	ITEM 21	ITEM 22	ITEM 24
SAW P/N	DESCRIPTION					
169328-14	10HP MK-5000 W/ 14" BLADE GUARD	165183	160365	165796	152124	172446-14
169330-14						
169331-14						
169328-20	10HP MK-5000 W/ 20" BLADE GUARD	152076	161135	165796	152124	172446-20
169330-20						
169331-20						

FIGURE 1 - MK-5010S BLOCK SAW 10HP 1PH 230V 24" BG P/N 169328

FIGURE 1 - MK-5010T BLOCK SAW 10HP 3PH 230V 24" BG P/N 169330

FIGURE 1 - MK-5010T BLOCK SAW 10HP 3PH 460V 24" BG P/N 169331

ITEM	DESCRIPTION	PART #	QTY
1	NUT, HEX, 3/8-16	101188	5
2	ASSY, PUMP, 3000GPH 230V 50HZ/60HZ	114769-MK	1
3	KEY, 1/4 SQR X 1-3/4	150796	1
4	HOSE, WATER VINYL, 3/8 X 1/2 (72.0")	150845	1
5	SCREW, HEX HD, 3/8-16 X 1-3/4	150920	4
6	WASHER, FLAT, SAE, 3/8	150923	9
7	WASHER, LOCK, SPLIT, 3/8	150925	8
8	SCREW, SET, CUP PT, 5/16-18X3/16	151167	8
9	CLAMP, HOSE, 5/8	151198	2
10	SCREW, HEX HD, 5/16-18X1	151743	4
11	WASHER, LOCK, SPLIT, 5/16	151747	4
12	WASHER, FLAT, SAE, 5/16	151754	4
13	FITTING, 3/8 MNPT X 3/8 BARB	152076	1
14	SCREW, HEX HD CAP, 3/8-16 X 1	152507	2
15	BOLT, 3/8-16 X 2-1/2 HEX HEAD TAP	155589	2
16	BELT, 16J610	156551	1
17	WASHER, SQR, 7/16 X 1-1/4 X 3/16	157567	4
18	CSTG, 5000 OUTER BELT GRD-COMP	159954	1
19	PULLEY, 16J28 X 1.0 BORE	161135	1
20	CASTING, INNER BLT GRD-COMP	162516	1
21	PULLEY, 16J25 X 1-3/8 BORE	165795	1
22	ASSY, TABLE, DELUXE (Pg. 24)	165991	1
23	KEY, 5/16 SQR X 1-1/2	167581	1
24	ASSY, BASE, HVY DTY 24" BLD GRD (Pg. 12)	172446-24	1
25 A	ASSY, MTR, 10HP 230V 1 PH 1725RPM, L3712T	172447	1
25 B	ASSY, MTR, 10HP 230V 3PH 1725RPM, EM3714T	172448	1
25 C	ASSY, MTR, 10HP 460V 3PH 1725RPM, EM3714T	172448-460	1

FIGURE 2 - MK-5000 ASSY, BASE, HEAVY DUTY P/N 172446

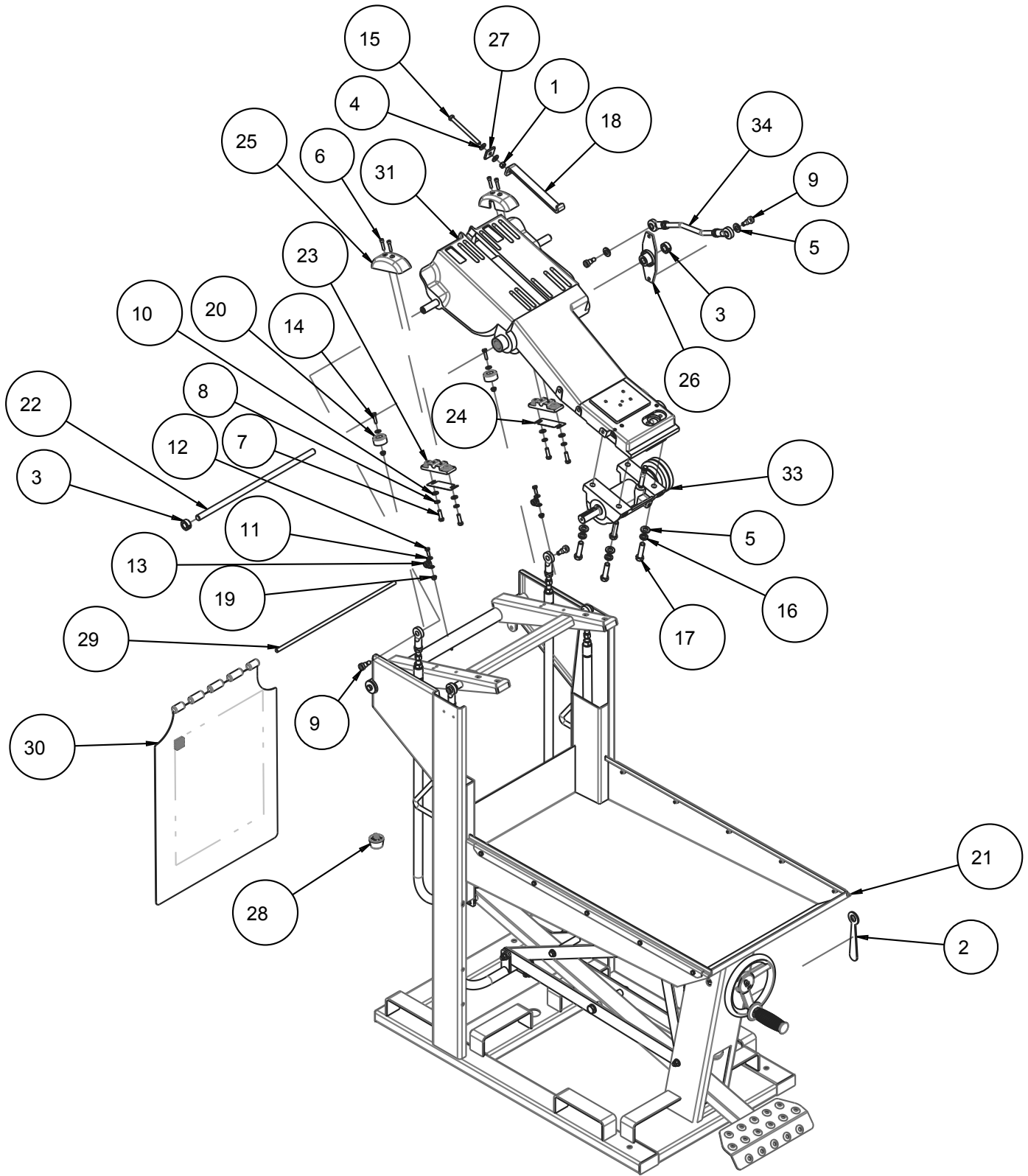
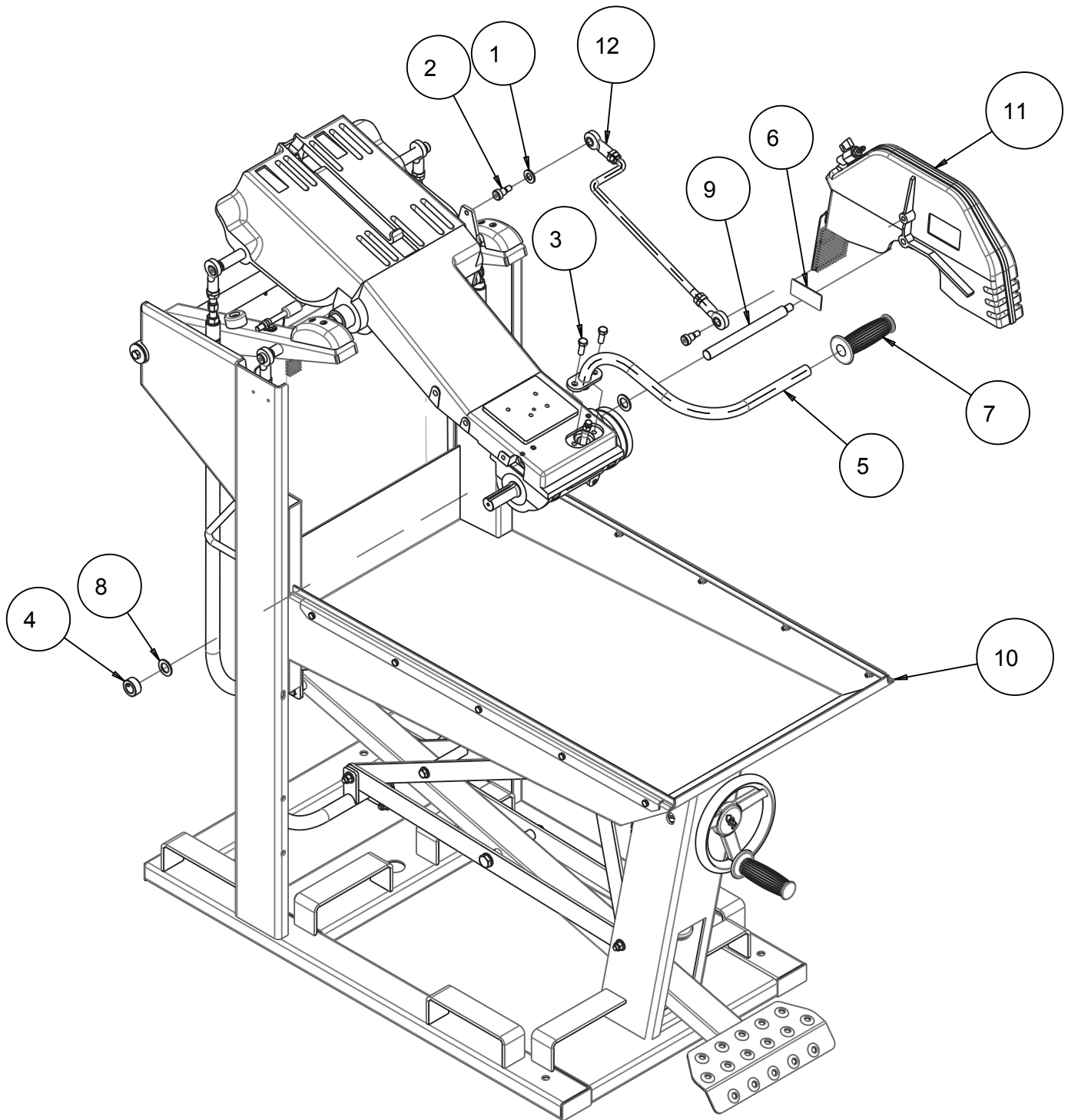


FIGURE 2 - MK-5000 ASSY, BASE, HEAVY DUTY PARENT P/N 172446

ITEM	DESCRIPTION	PART #	QTY
1	NUT, HEX, 3/8-16	101188	1
2	WRENCH, 3/4 BOX END	134056	1
3	COLLAR, 1.13 ODX.625ID .5 WIDE	140012	2
4	WASHER, FLAT, SAE, 3/8	150923	2
5	WASHER, 1/2 SAE FLAT	150924	6
6	SCREW, SOC HD CAP, 1/4-20 X 1	151049	4
7	SCREW, HEX HD, 5/16 -18 X 1	151743	4
8	WASHER, LOCK, SPLIT, 5/16	151747	4
9	SCREW, SHOULDER, 1/2X 1/2	151753	4
10	WASHER, FLAT, SAE, 5/16	151754	4
11	WASHER, FLAT, SAE, 1/4	151915	4
12	SCREW, HEX HD, 1/4 - 20 X3/4	152370	2
13	CLAMP, CUSHION LOOP 3/8	152592	2
14	SCREW, HEX HD, TAP, 1/4-20 X 1	152676	2
15	SCREW, HEX HD, TAP, 3/8 -16 X 4-1/2	153110	1
16	WASHER, 1/2 SPLIT LOCK	153524	4
17	SCREW, HEX HD 1/2-13X2	153533	4
18	STRAP, MOTOR ADJUSTMENT	153611	1
19	NUT, HEX, TW, 1/4-20	153941	4
20	BUMPER, 1/4 ID X 1-1/2OD X 3/4	154496	2
21	ASSY, FRAME	154629	1
22	SHAFT, PIVOT, CUTTING HEAD	154828	1
23	PILLOW BLOCK (COMP)	155762	2
24	SHIM, .025 PILLOW BLOCK	155905	2
25	BLOCK COVER (COMP)	156265	2
26	CRANK, BELL	157426	1
27	WASHER, SQR, 7/16 X 1-1/4 X 3/16	157567	1
28	DRAIN PLUG, W/RING	159529	1
29	ROD, SPLASH CURTAIN	160711	1
30	CURTAIN, SPLASH, MK-5000	160764	1
31	ASSY, CUTTING HEAD, HD	162546	1
32	OIL, 10-40 SAE MOTOR (1QT)	164970	1
33	ASSY, HD ARBOR	170951	1
34	ASSY, ARM, REAR	172537	1

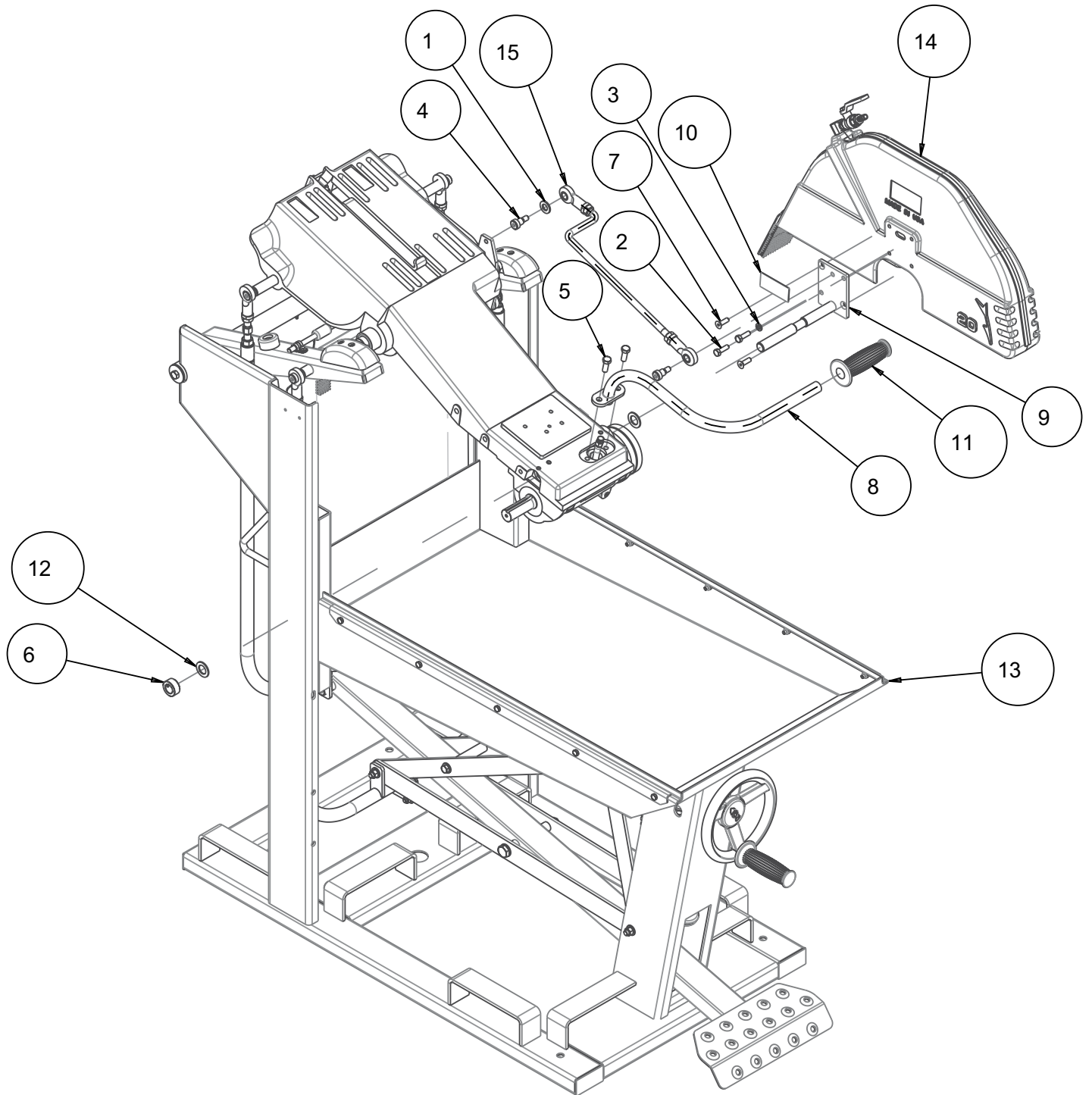
FIGURE 3 - MK-5000 ASSY, BASE, HEAVY DUTY 14" BLADE GUARD P/N 172446-14



**FIGURE 3 - MK-5000 ASSY, BASE, HEAVY DUTY 14" BLADE GUARD P/N 172446-14**

ITEM	DESCRIPTION	PART #	QTY
1	WASHER, 1/2 SAE FLAT	150924	1
2	SCREW, SHOULDER, 1/2 X 1/2	151753	2
3	SCREW, HEX HD CAP, 3/8 -16 X 1	152507	2
4	COLLAR, SET, 3/4"	153814	1
5	HANDLE, CUTTING HEAD MK5000 20"	155851	1
6	TAG, SERIAL NUMBER, BLANK	157500-RW	1
7	GRIP, HANDLE 7/8 ID	158608	1
8	WASHER, FLAT, PLAS, .75 X 1.25 X .080	160827	2
9	SHAFT, PIVOT, 14" BLADE GUARD	164738	1
10	ASSY, BASE, HVY DTY PARENT	172446	1
11	ASSY, BLD GRD, 14"	172449	1
12	ASSY, ARM, FRONT	172538	1

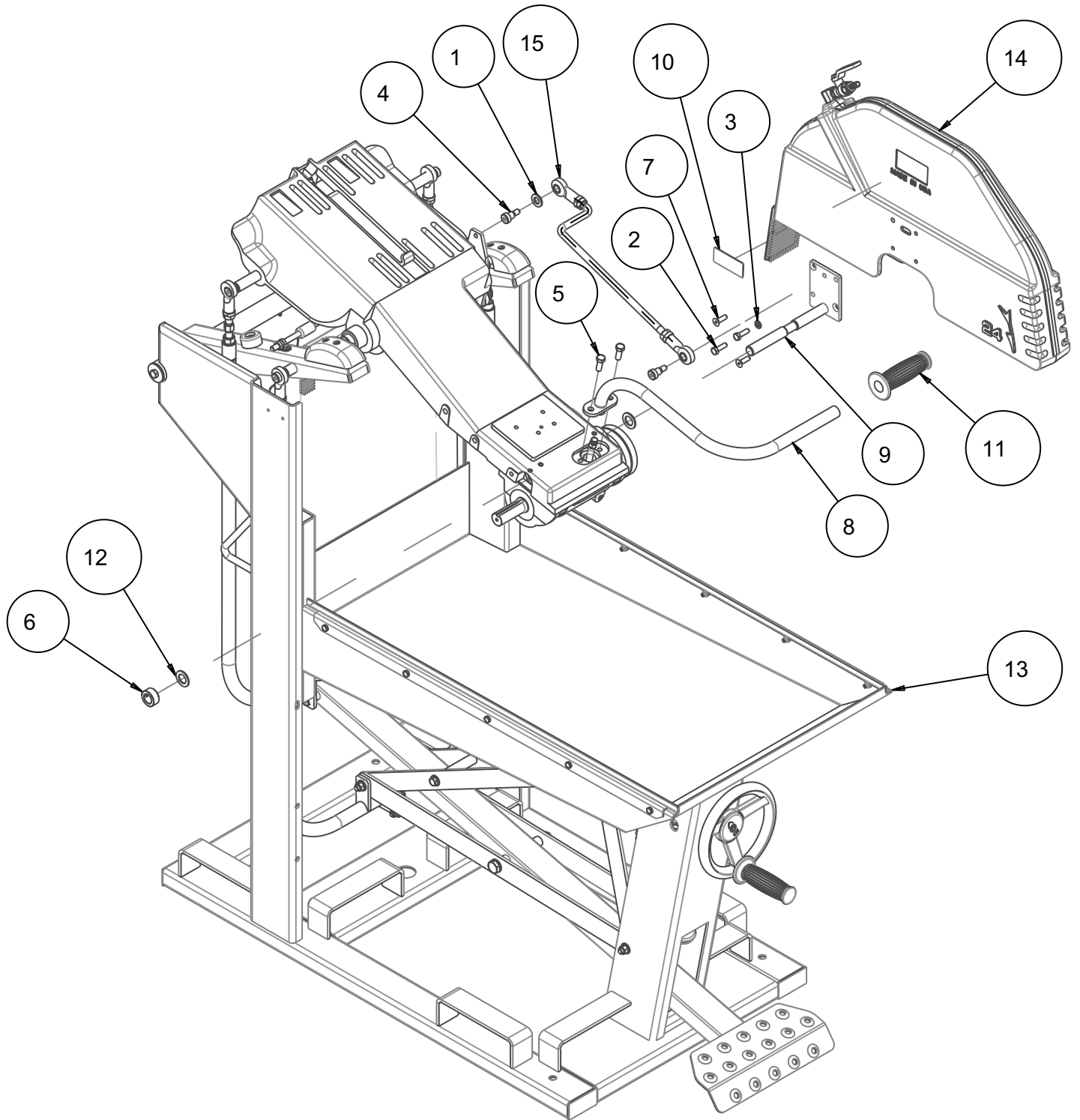
FIGURE 4 - MK-5000 ASSY, BASE, HEAVY DUTY 20" BLADE GUARD P/N 172446-20



**FIGURE 4 - MK-5000 ASSY, BASE, HEAVY DUTY 20" BLADE GUARD P/N 172446-20**

ITEM	DESCRIPTION	PART #	QTY
1	WASHER, 1/2 SAE FLAT	150924	1
2	SCREW, HEX HD, 5/16 -18 X1	151743	2
3	WASHER, LOCK, SPLIT, 5/16	151747	1
4	SCREW, SHOULDER, 1/2 X 1/2	151753	2
5	SCREW, HEX HD CAP, 3/8 - 16 X 1	152507	2
6	COLLAR, SET, 3/4"	153814	1
7	SCREW, 5/16 - 18 X 1.0 FLAT HEAD SOCKET	155552	2
8	HANDLE, CUTTING HEAD MK5000 20"	155851	1
9	SHAFT, BLADE GUARD PIVOT	155886	1
10	TAG, SERIAL NUMBER, BLANK	157500-RW	1
11	GRIP, HANDLE 7/8 ID	158608	1
12	WASHER, FLAT, PLAS, .75 X 1.25 X .080	160827	2
13	ASSY, BASE, HVY DTY PARENT	172446	1
14	ASSY, BLD GRD, 20"	172450	1
15	ASSY, ARM, FRONT	172538	1

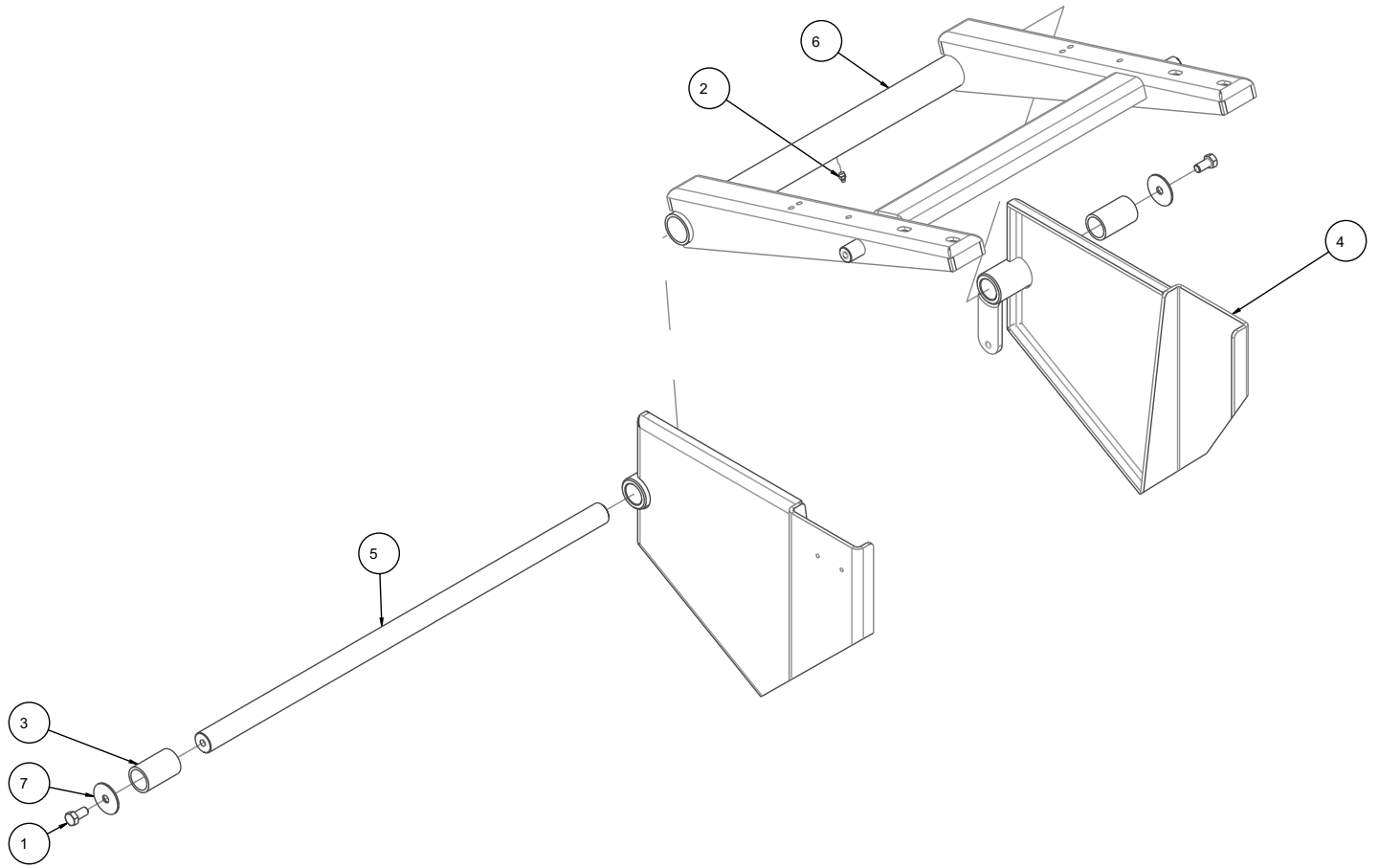
FIGURE 5 - MK-5000 ASSY, BASE, HEAVY DUTY 24" BLADE GUARD P/N 172446-24



**FIGURE 5 - MK-5000 ASSY, BASE, HEAVY DUTY 24" BLADE GUARD P/N 172446-24**

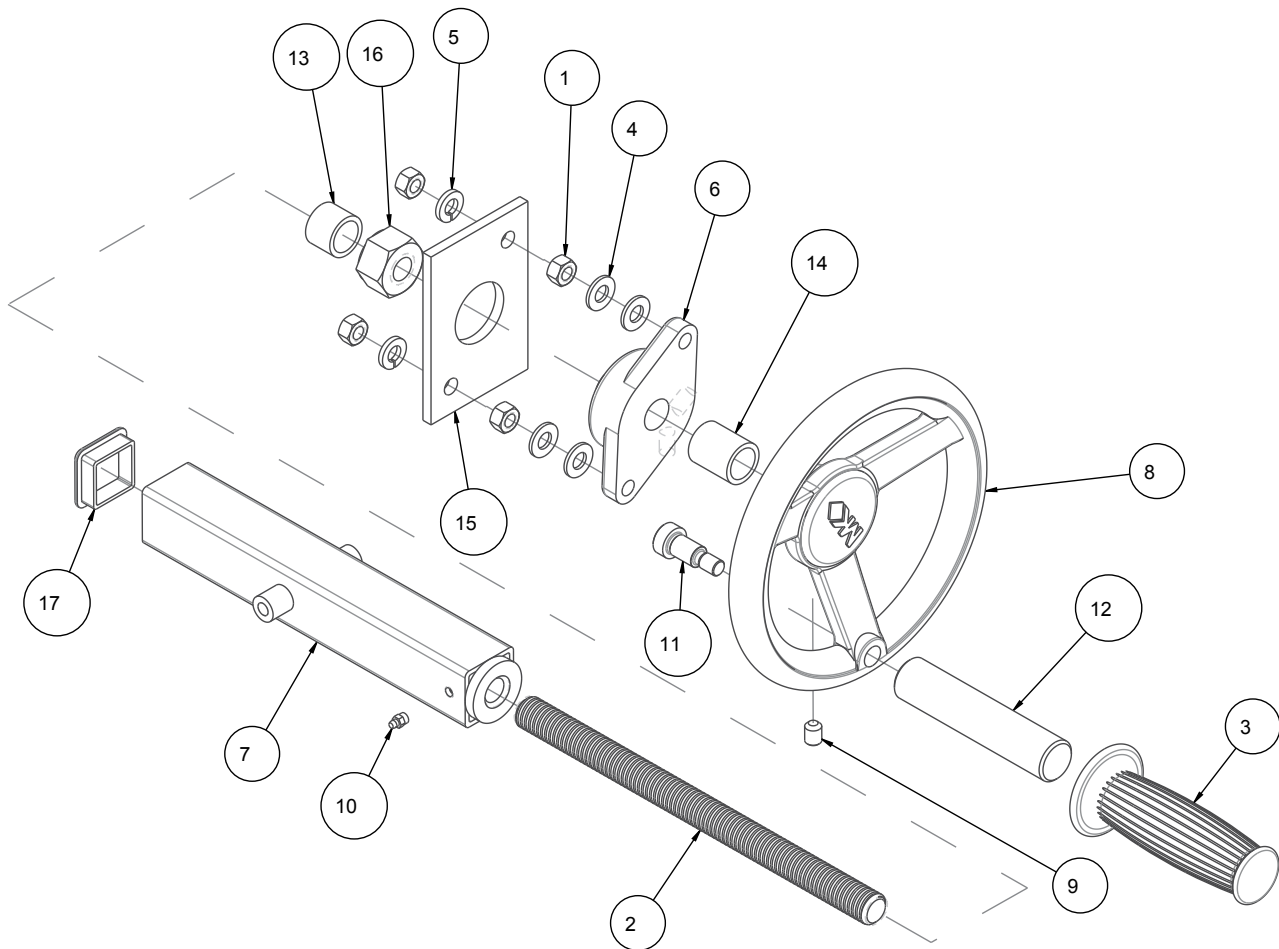
ITEM	DESCRIPTION	PART #	QTY
1	WASHER, 1/2 SAE FLAT	150924	1
2	SCREW, HEX HD, 5/16 -18 X1	151743	2
3	WASHER, LOCK, SPLIT, 5/16	151747	1
4	SCREW, SHOULDER, 1/2 X 1/2	151753	2
5	SCREW, HEX HD CAP, 3/8 - 16 X 1	152507	2
6	COLLAR, SET, 3/4"	153814	1
7	SCREW, 5/16 - 18 X 1.0 FLAT HEAD SOCKET	155552	2
8	HANDLE, CUTTING HEAD MK5000 24"	155613	1
9	SHAFT, BLADE GUARD PIVOT	155886	1
10	TAG, SERIAL NUMBER, BLANK	157500-RW	1
11	GRIP, HANDLE 7/8 ID	158608	1
12	WASHER, FLAT, PLAS, .75 X 1.25 X .080	160827	2
13	ASSY, BASE, HVY DTY PARENT	172446	1
14	ASSY, BLD GRD, 24"	172451	1
15	ASSY, ARM, FRONT	172538	1

FIGURE 6 - MK-5000 ASSY, BLOCK SAW ELEVATOR ARM DETAIL P/N 154629



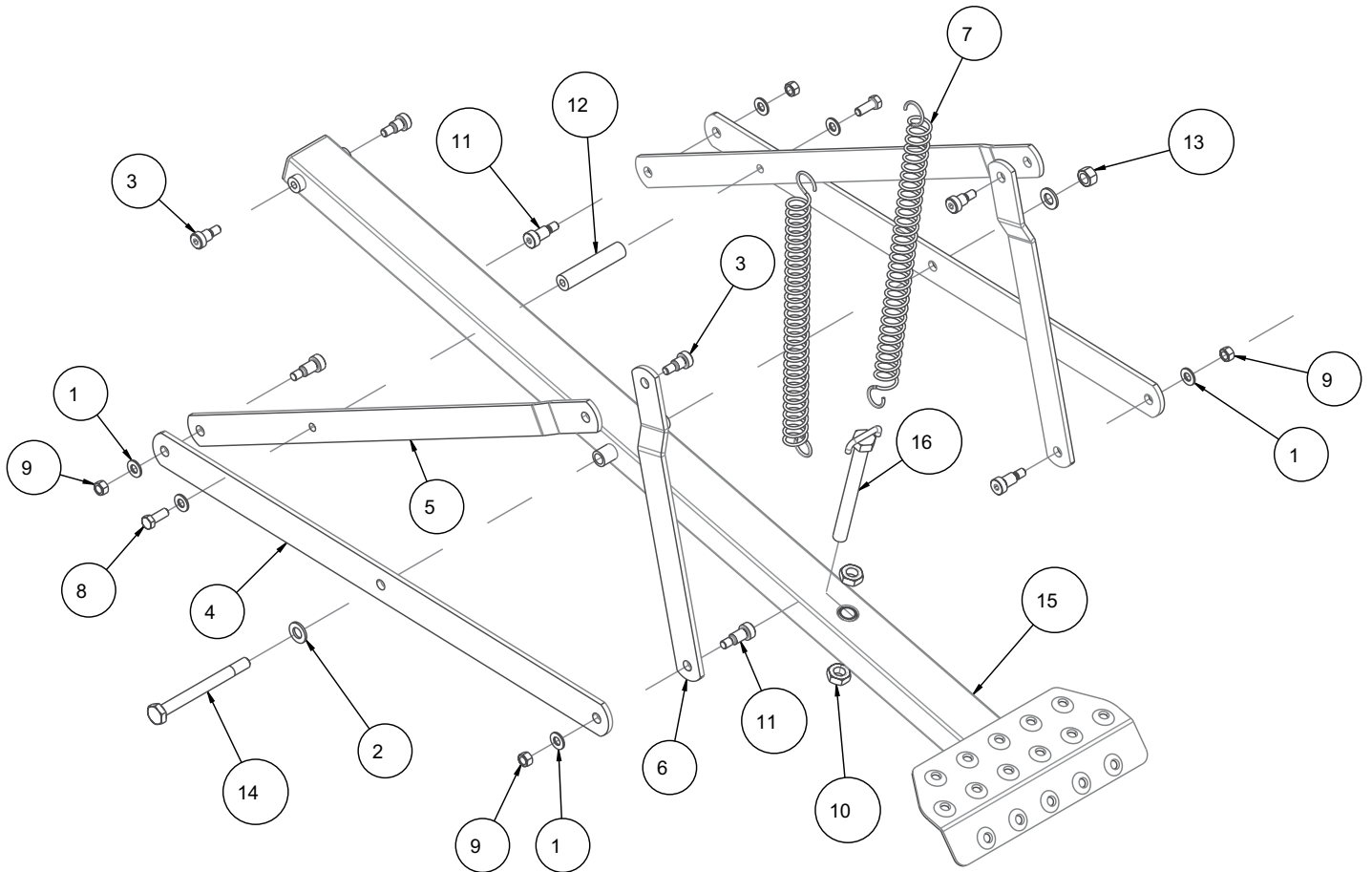
ITEM	DESCRIPTION	PART #	QTY
1	SCREW, HEX, 3/8 - 16 X 3/4	153527	2
2	FITTING, 1/4 - 28 GREASE	153852	1
3	BEARING, 1 X 1-1/4 X 2 MSI MK-5000	154571	2
4	WELDMENT, FRAME	155541	1
5	PIVOT SHAFT, ELEV. ARM	155880	1
6	WELDMENT, ELEVATION ARM MK5000	156285	1
7	WASHER, FENDER, 3/8 ID X 1-1/2 OD	158523	2

FIGURE 7 - MK-5000 ASSY, BLOCK SAW DEPTH CONTROL DETAIL P/N 154629



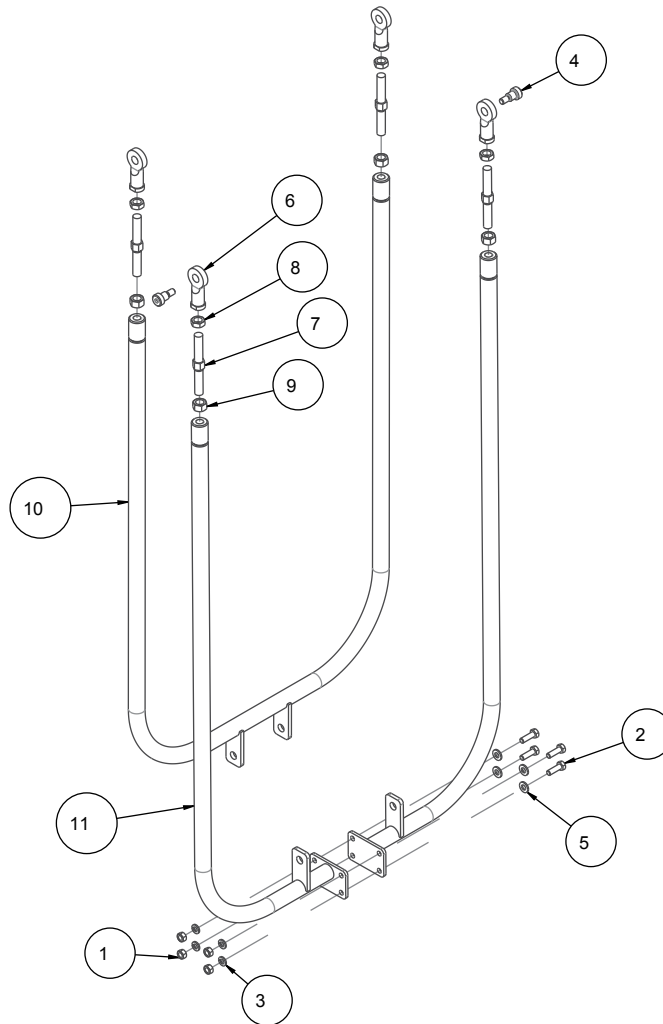
ITEM	DESCRIPTION	PART #	QTY
1	NUT, HEX, 3/8 - 16	101188	4
2	SHAFT, DEPTH FEED SCREW	150840	1
3	GRIP, HANDLE, 1.0 ID	150842	1
4	WASHER, FLAT, SAE, 3/8	150923	4
5	WASHER, LOCK, SPLIT, 3/8	150925	2
6	BEARING, 3/4 ID FLANGE (COMP)	152025	1
7	ADJ SHAFT TUBE	152116	1
8	CRANK WHEEL, 3/4-6-PLASTIC COMP	153646	1
9	SCREW, SET, SOC, CUPT, 3/8-16 X 1/2	153710	1
10	FITTING, 1/4-28 GREASE	153852	1
11	SCREW, SHLDR, SOC HD, 1/2 X 3/4	156177	1
12	HANDLE, CRANK WHEEL	156236	1
13	SPACER, ADJ. SHAFT	156249	1
14	SPACER, DEPTH FEED WHEEL	156250	1
15	SUPPORT PLATE, BEARING	156278	1
16	NUT, ACME, STANDARD 3/4-6	158227	1
17	PLUG, SQUARE, 1- 1/2-10-14	161165	1

FIGURE 8 - MK-5000 ASSY, BLOCK SAW FOOTPEDAL DETAIL P/N 154629



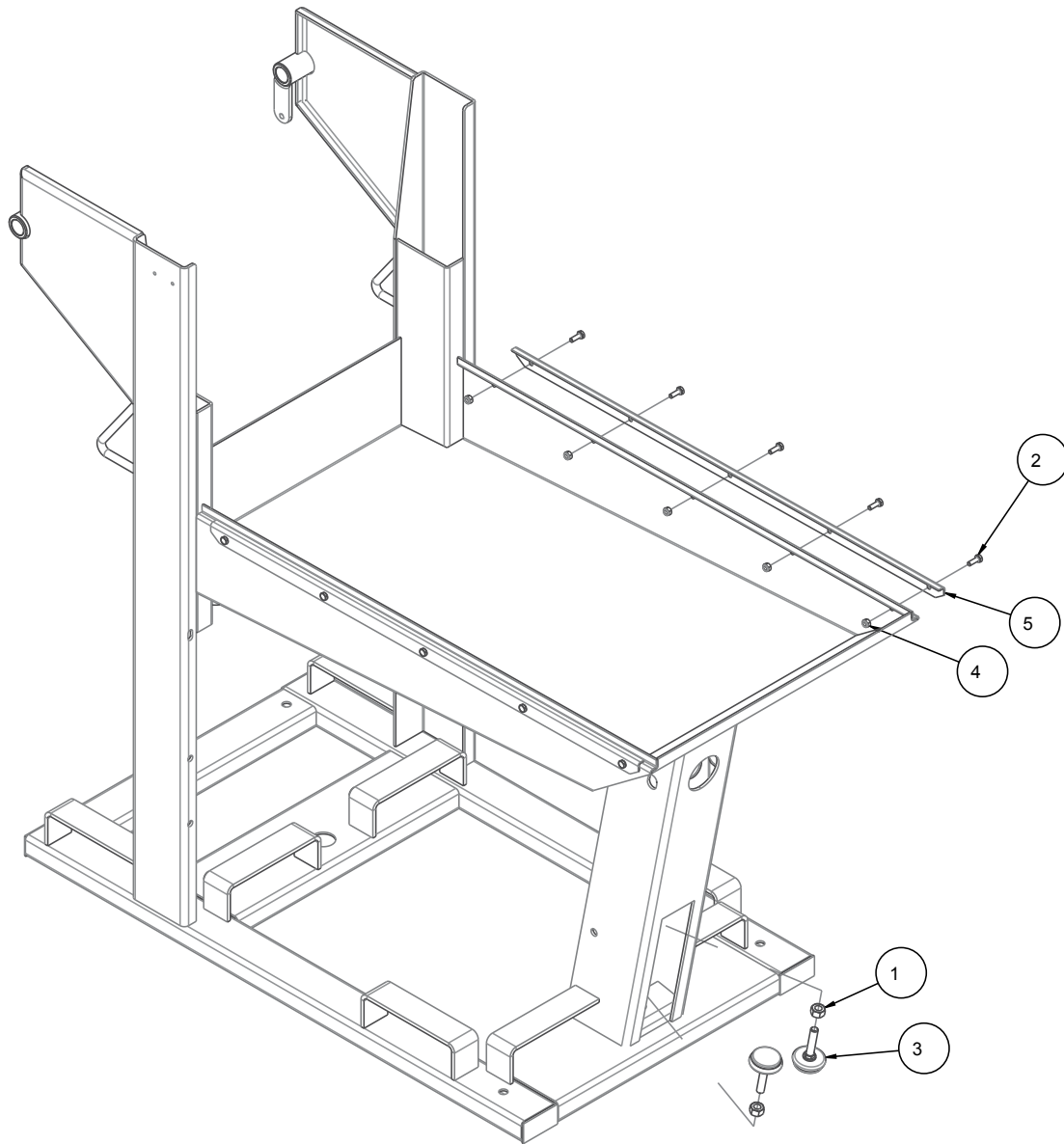
ITEM	DESCRIPTION	PART #	QTY
1	WASHER, FLAT, SAE, 3/8	150923	6
2	WASHER, 1/2 SAE FLAT	150924	2
3	SCREW, SHOULDER, 1/2 X 1/2	151753	4
4	LINKAGE, PEDAL HORIZONTAL	152112	2
5	LINKAGE, PEDAL DIAGONAL	152113	2
6	LINKAGE, PEDAL VERTICAL	152114	2
7	SPRING, FOOT PEDAL MK5000	152115	2
8	SCREW, HEX HD CAP, 3/8-16 X 1	152507	2
9	NUT, 3/8-16 HEX CENTERLOCK	153522	4
10	NUT, HEX JAM 5/8-11 UNC	155603	2
11	SCREW, SHLDR, SOC HD, 1/2 X 3/4	156177	4
12	PEDAL, SHAFT TIE	156259	1
13	NUT, 1/2-13 CENTERLOCK HEX	156279	1
14	SCREW, HEX HD CAP 1/2-13 X 5-1/2	158526	1
15	PEDAL, FOOT & BAR	160139	1
16	HOOK BOLT, WELDMENT, ASSY	160141	1

FIGURE 9 - MK-5000 ASSY, BLOCK SAW LINKS DETAIL P/N 154629



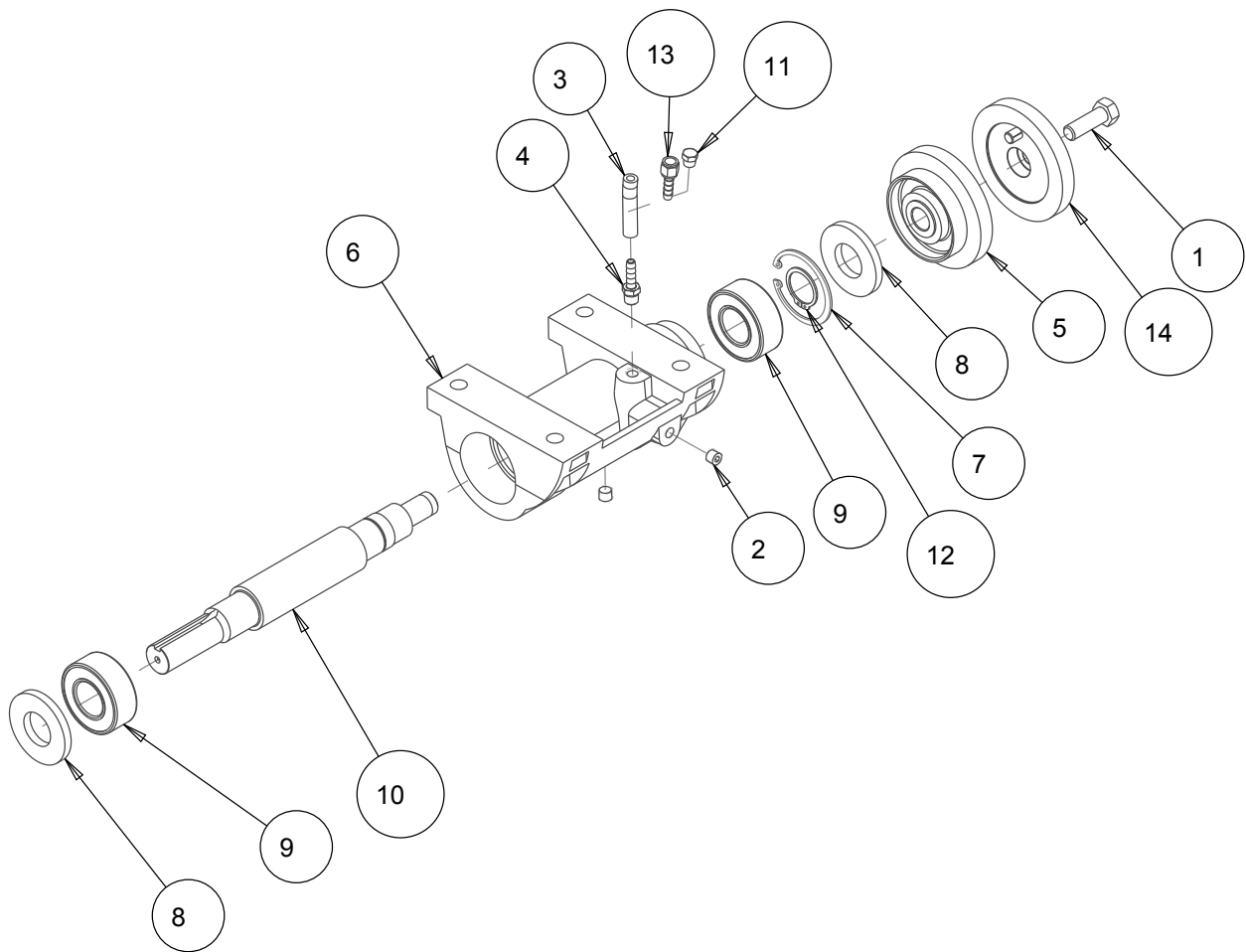
ITEM	DESCRIPTION	PART #	QTY
1	NUT, HEX, 5/16-18	101196	4
2	SCREW, HEX HD, 5/16-18X1	151743	4
3	WASHER, LOCK, SPLIT, 5/16	151747	4
4	SCREW, SHOULDER, 1/2 X 1/2	151753	2
5	WASHER, FLAT, SAE, 5/16	151754	4
6	JOINT, SPHERICAL FEM. 1/2-20RH	154387	4
7	SCREW, ADJUSTMENT	154433	4
8	NUT, JAM, 1/2-20	154460	4
9	JAM NUT 1/2-20 (LH)	154461	4
10	LINK, REAR CONNECTING	156252	1
11	LINK, FRONT CONNECTING	156253	2

FIGURE 10 - MK-5000 ASSY, BLOCK SAW FRAME RAILS DETAIL P/N 154629



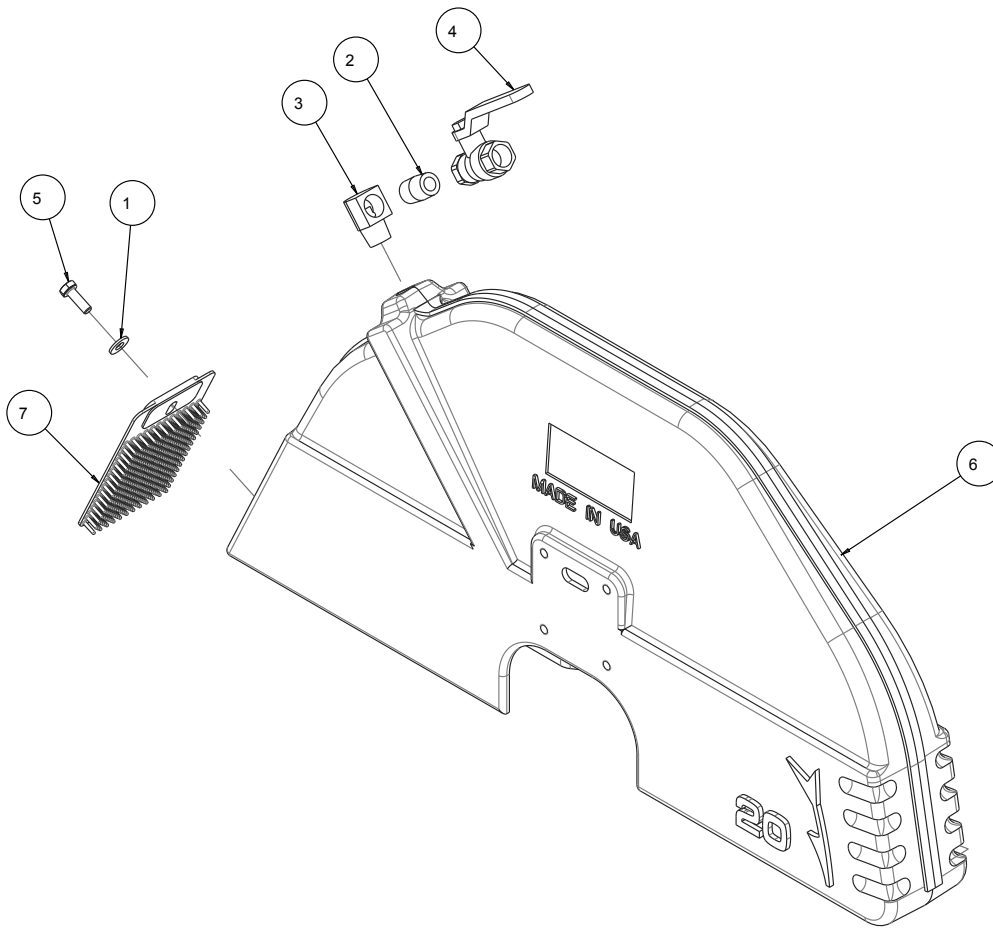
ITEM	DESCRIPTION	PART #	QTY
1	NUT, HEX, 1/2-13	151282	2
2	SCREW, HEX HD, 1/4-20 X 3/4	152370	10
3	BUMPER, 1-1/2 DIA. X 1/2 -13 X 3 STUD	158605	2
4	NUT, HEX, NYLK, 1/4 -20	159857	10
5	LINER, RAIL	166934	2

FIGURE 23 - MK-5000 ASSY, HD ARBOR P/N 170951



ITEM	DESCRIPTION	PART #	QTY
1	SCREW, HEX HD 1/2-20X1-1/4	152122	1
2	PLUG, 1/8NPT HEX SOCKET	152472	2
3	HOSE, 1/4 FUEL, 6"	154163	1
4	FITTING, 1/8 MNPT X 1/4 BARB	155809	1
5	FLANGE, INNER, MASONRY, 4"	161305	1
6	CASTING, SHAFT HOUSING - COMP	170944	1
7	RING, RET, INT, 65MM	170945	1
8	SEAL, OIL, 30MM X 62MM X 7MM	170946	2
9	BEARING, 30X62X23.8, D-ROW BALL	170947	2
10	SHAFT, HD ARBOR	170948	1
11	BREATHER, 1/8 FNPT	170949	1
12	RING, RET, EXT, 30MM	170950	1
13	FITTING, 1/8 FNPT X 1/4 BARB	171019	1
14	ASSY, FLANGE, OUTER, 4" MASONRY	171252	1

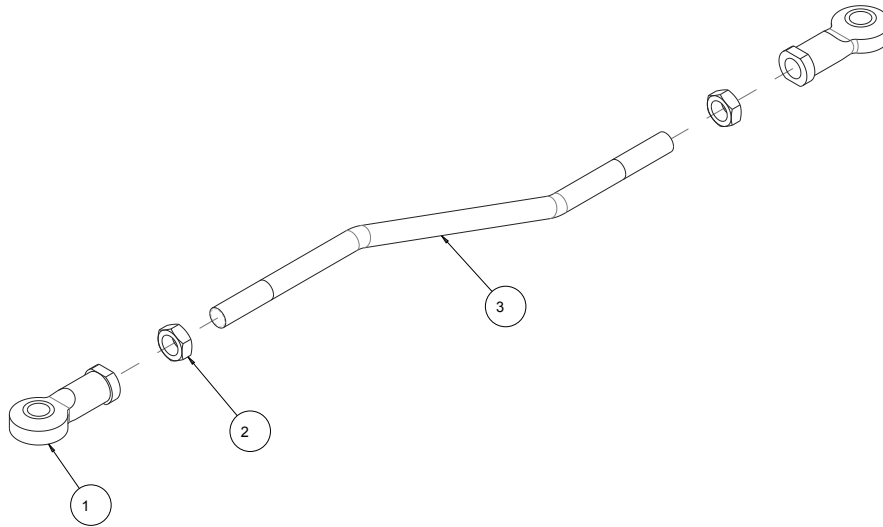
FIGURE 12 - MK-5000 ASSY, BLADE GUARD 20" P/N 172450



<b>SUBSTITUTION TABLE FOR 14" &amp; 24" BLADE GUARD</b>		<b>ITEM 4</b>	<b>ITEM 6</b>
<b>P/N</b>	<b>DESCRIPTION</b>		
172449	ASSY, BLADE GRD, 14"	152567	164735
172451	ASSY, BLADE GRD, 24"	152075	159324

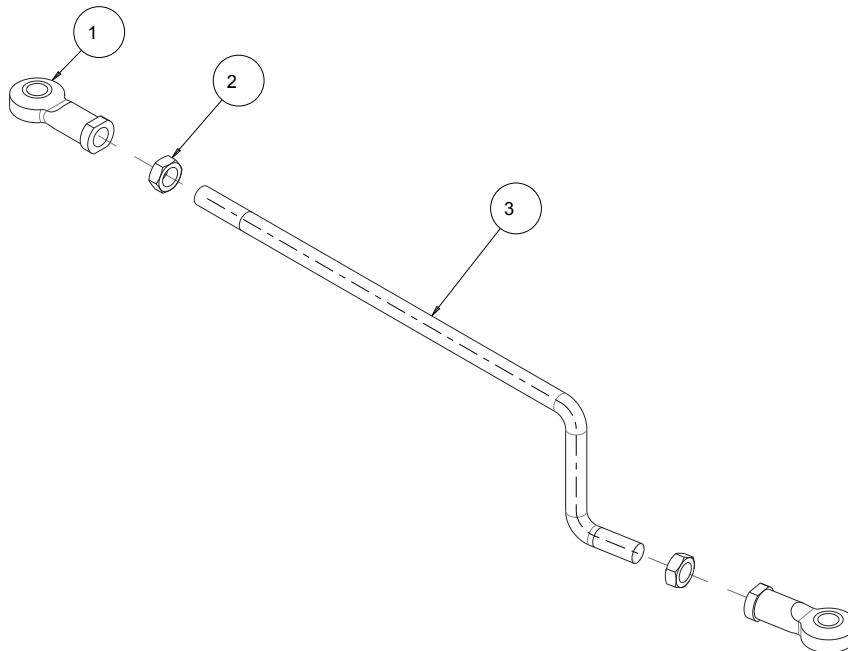
<b>ITEM</b>	<b>DESCRIPTION</b>	<b>PART #</b>	<b>QTY</b>
1	WASHER, FLAT, SAE, 1/4	151915	1
2	NIPPLE, 3/8 MNPT X CLOSE	152073	1
3	ELBOW, 3/8 NPT X 90, BRASS	152074	1
4	VALVE, BALL 3/8"	152075	1
5	SCREW, HEX HD, 1/4-20X3/4	152370	1
6	CASTING, BLD GRD 20" COMP	159674	1
7	GUARD, SPLASH	160310	1

FIGURE 13 - MK-5000 ASSY, ARM, REAR P/N 172537



ITEM	DESCRIPTION	PART #	QTY
1	JOINT, SPHERICAL FEM. 1/2-20RH	154387	2
2	NUT, JAM, 1/2-20	154460	2
3	ARM, REAR CONNECTING	158563	1

FIGURE 14 - MK-5000 ASSY, ARM, FRONT P/N 172538



ITEM	DESCRIPTION	PART #	QTY
1	JOINT, SPHERICAL FEM. 1/2-20RH	154387	2
2	NUT, JAM, 1/2-20	154460	2
3	LINK ROD, BLADE GUARD	158564	1

FIGURE 15 - MK-5000 ASSY, TABLE P/N 152124

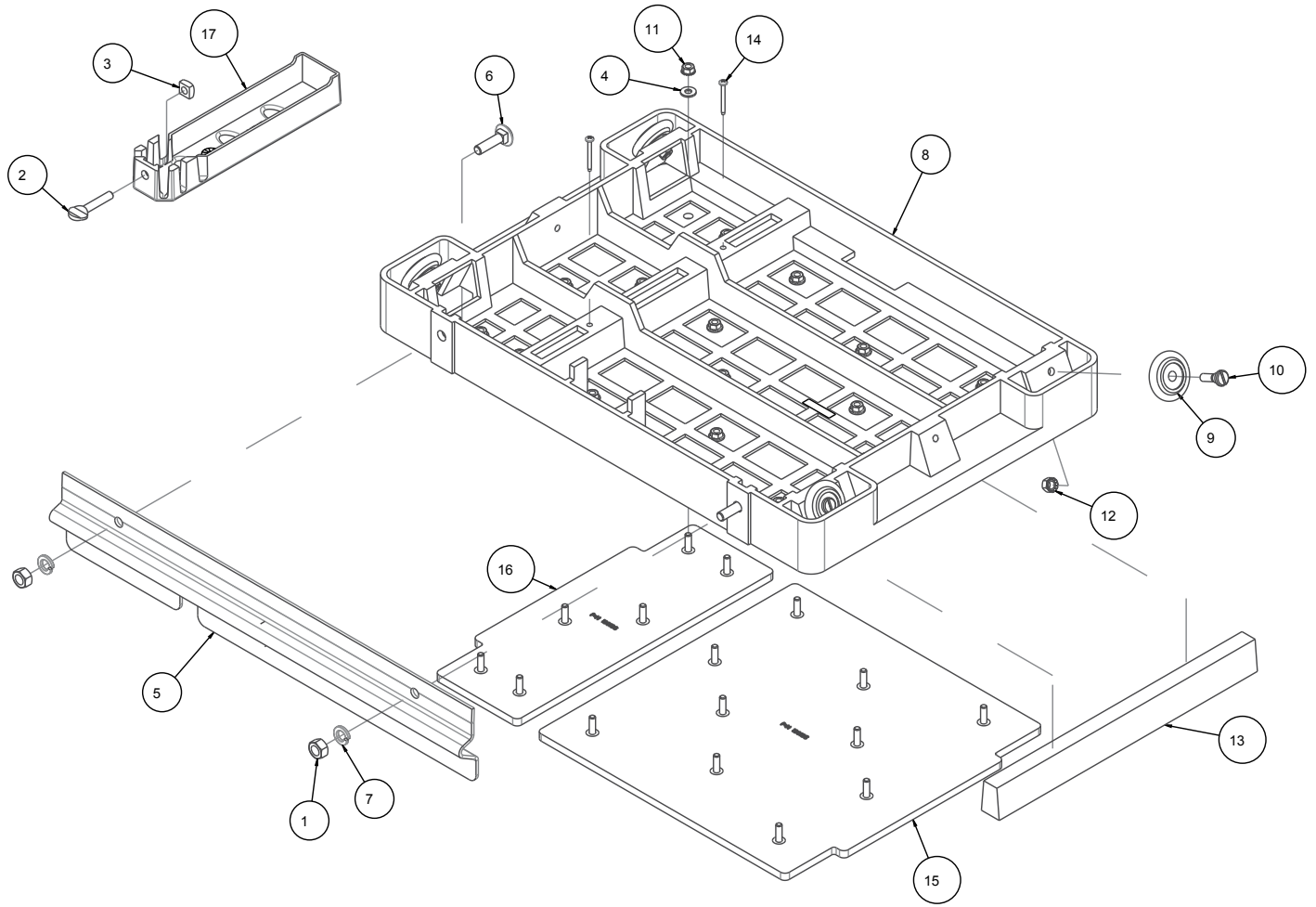


FIGURE 15 - MK-5000 ASSY, TABLE P/N 152124

ITEM	DESCRIPTION	PART #	QTY
1	NUT, HEX 7/16-14	150922	2
2	SCREW, THUMB 5/16-18X1-1/2	151155	1
3	NUT, SQUARE 5/16-18	151156	1
4	WASHER, FLAT, SAE, 1/4	151915	16
5	RULE, FRONT, STOP	152126	1
6	BOLT, CARR. 7/16 - 14 X 1-1/4	152423	2
7	WASHER, LOCK, SPLIT 7/16	152424	2
8	CASTING, 5000, TABLE INSERT	152455	1
9	WHEEL, ROLLER MK5000, MK1080	152493	4
10	STUD, ROLLER WHEEL	152494	4
11	NUT, HEX, TW, 1/4-20	153941	16
12	NUT, HEX, TW, 5/16-18	153942	4
13	WOOD STRIP, TABLE INSERT	157748	1
14	SCREW, #8 X 1-1/2 FLAT HD PHIL	158157	2
15	MAT, MK-5000 TABLE-LG	160165	1
16	MAT, MK-5000 TABLE-SM	160166	1
17	CASTING, SQUARING ARM-COMP	231276	1

FIGURE 16 - MK-5000 ASSY, TABLE DELUXE P/N 165991

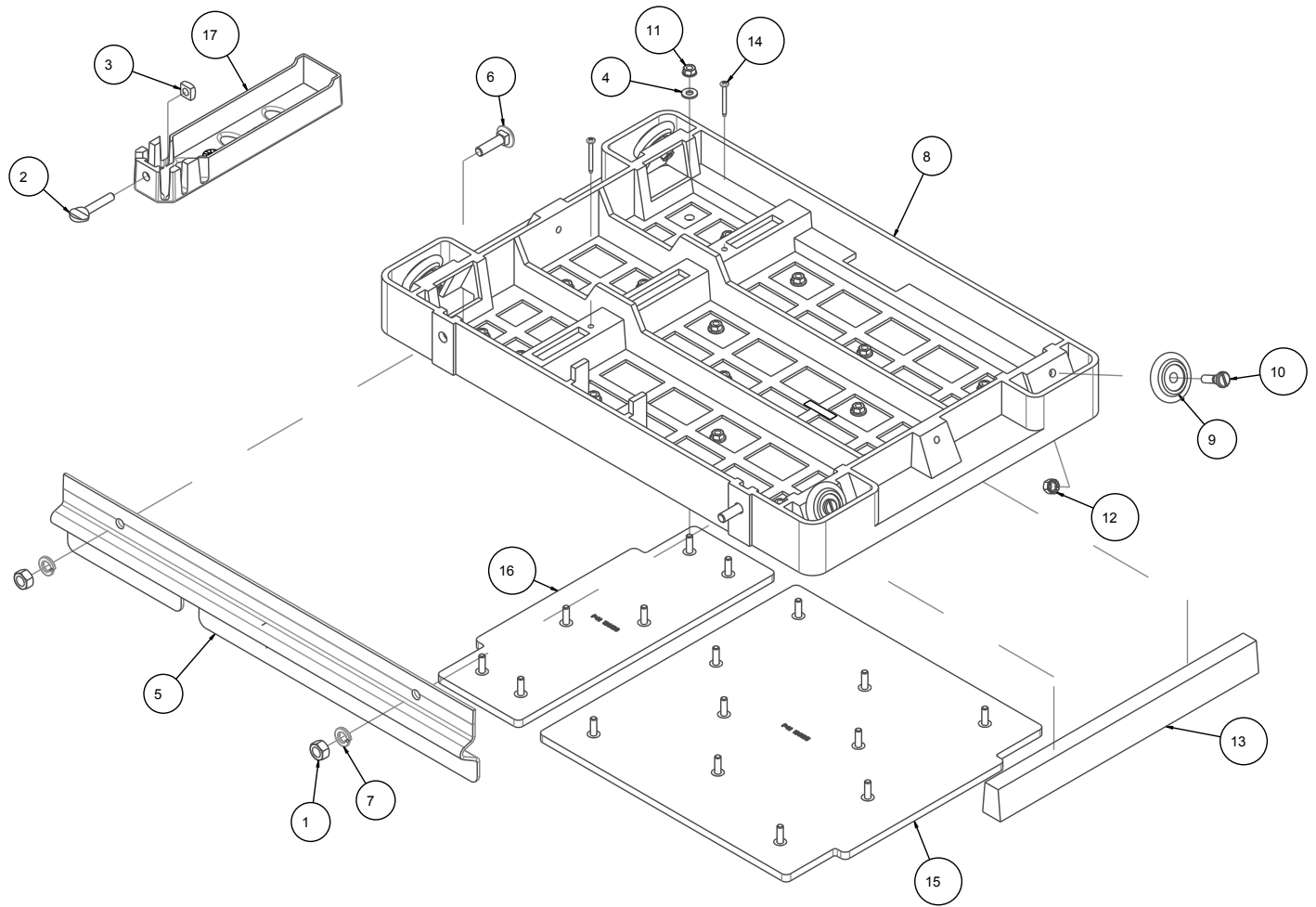
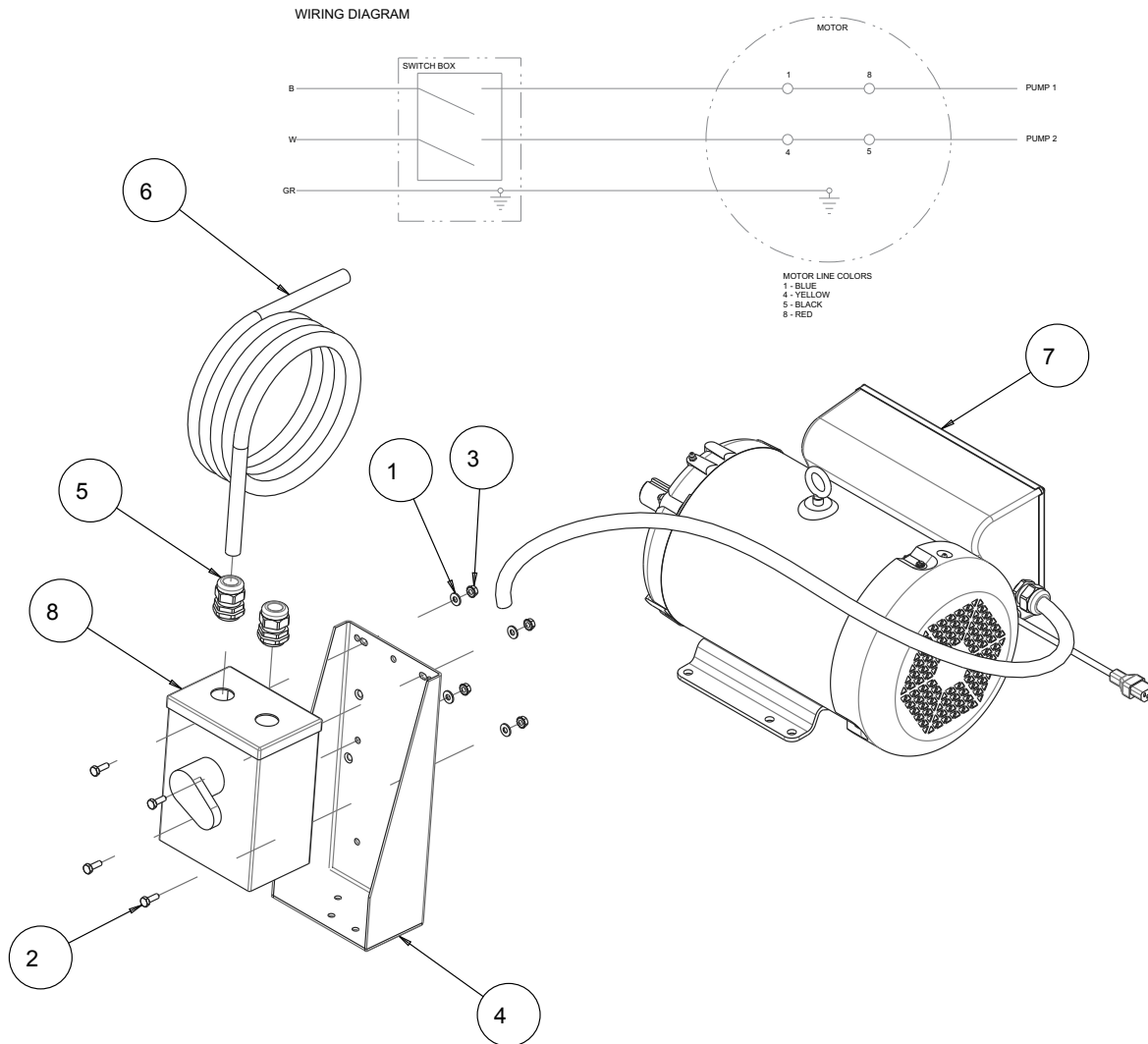


FIGURE 16 - MK-5000 ASSY, TABLE DELUXE P/N 165991

ITEM	DESCRIPTION	PART #	QTY
1	NUT, HEX 7/16-14	150922	2
2	SCREW, THUMB 5/16-18X1-1/2	151155	1
3	NUT, SQUARE 5/16-18	151156	1
4	WASHER, FLAT, SAE, 1/4	151915	16
5	RULE, FRONT, STOP	152126	1
6	BOLT, CARR. 7/16 - 14 X 1-1/4	152423	2
7	WASHER, LOCK, SPLIT 7/16	152424	2
8	CASTING, 5000, TABLE-COMP	152455	1
9	WHEEL, ROLLER MK5000, MK1080	152493	6
10	STUD, ROLLER WHEEL	152494	6
11	NUT, HEX, W/WSHR, 1/4-20	153941	16
12	NUT, HEX, TW, 5/16-18	153942	4
13	WOOD STRIP, TABLE INSERT	157748	1
14	SCREW, #8 X 1-1/2 FLAT HD PHIL	158157	2
15	GRIP, HANDLE 7/8 ID	158608	1
16	MAT, MK-5000 TABLE-LG	160165	1
17	MAT, MK-5000 TABLE-SM	160166	1
18	HANDLE, TABLE	165990-L	1
19	CASTING, SQUARING ARM-COMP	231276	1

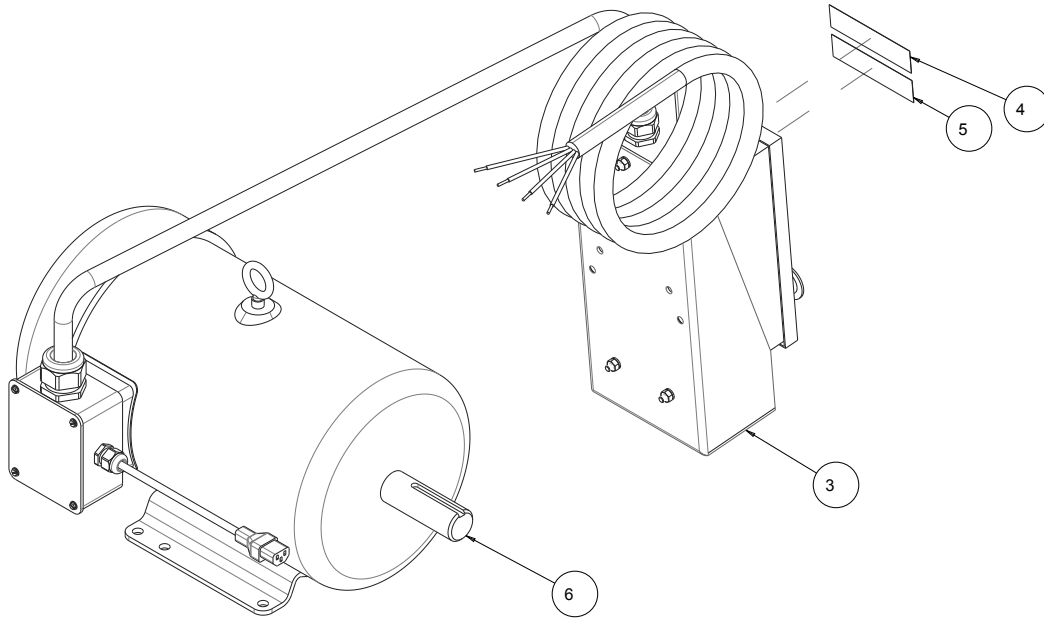
FIGURE 17 - MK-5000 ASSY, MOTOR, 10HP 230V 1 PH 1725RPM, L3712T P/N 1724447



PULLEY REFERENCE TABLE FOR 10HP MOTOR				
BLD GRD	PULLEY P/N	DESCRIPTION	ARBOR PULLEY	DESCRIPTION
14"	165796	PULLEY, 16J31 X 1-3/8 BORE	160365	16J18 X 1 BORE
20"	165796	PULLEY, 16J31 X 1-3/8 BORE	161135	16J28 X 1 BORE
24"	165795	PULLEY, 16J25 X 1-3/8 BORE	161135	16J28 X 1 BORE

ITEM	DESCRIPTION	PART #	QTY
1	WASHER, FLAT, SAE, 1/4	151915	4
2	SCREW, HEX HD, 1/4-20 X 3/4	152370	4
3	NUT, HEX, TW, 1/4-20	153941	4
4	BRACKET, SWITCH MTG	156492	1
5	CONNECTOR, CORD, LTF21	160675	2
6	CORD, ELEC, 8/3 SOOW (10.5 FT)	166275	1
7	MTR, 10HP 230V 1PH 1725RPM- COMP	172554	1
8	SWITCH, 60A/10HP/240V W/ENCL-COMP	172560	1

**FIGURE 18 - ASSY, MOTOR, 10HP 230V & 460V 3PH 1725RPM, EM3714T P/N 172448 & 172448-460**



<b>SUBSTITUTION TABLE FOR 10HP 3PH 460V 1725RPM MOTOR</b>		<b>ITEM 1</b>	<b>ITEM 2</b>	<b>ITEM 4</b>
<b>P/N</b>	<b>DESCRIPTION</b>			
172448-460	ASSY, MTR, 10HP 3PH 460V 1725RPM, EM3714T	156210	156207	168653

<b>ITEM</b>	<b>DESCRIPTION</b>	<b>PART #</b>	<b>QTY</b>
1	COIL, STARTER 240V	156209	1
2	ELEMENT, HEATER 25.6-27A 3/SET	160722	1
3	ASSEMBLY, SWITCH, 3-PHASE	162470	1
4	LABEL, 230V	168652	1
5	LABEL, THREE PHASE	168655	1
6	MTR, 10PH 208-230/460V 3PH 1725RPM, -COMP	172556	1

FIGURE 19 - MK-5010T WIRING DIAGRAM P/N 172448 & 172448-460

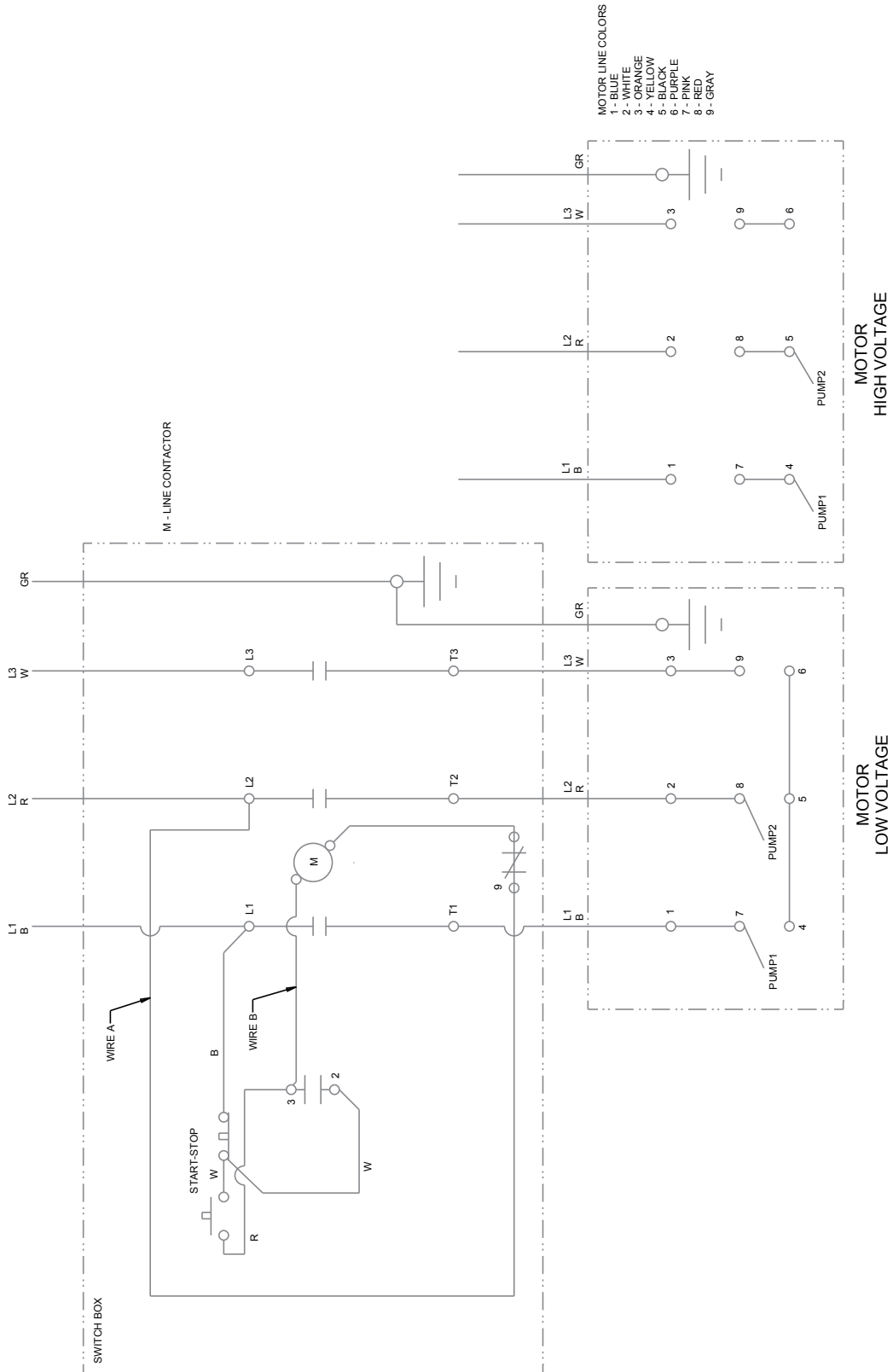
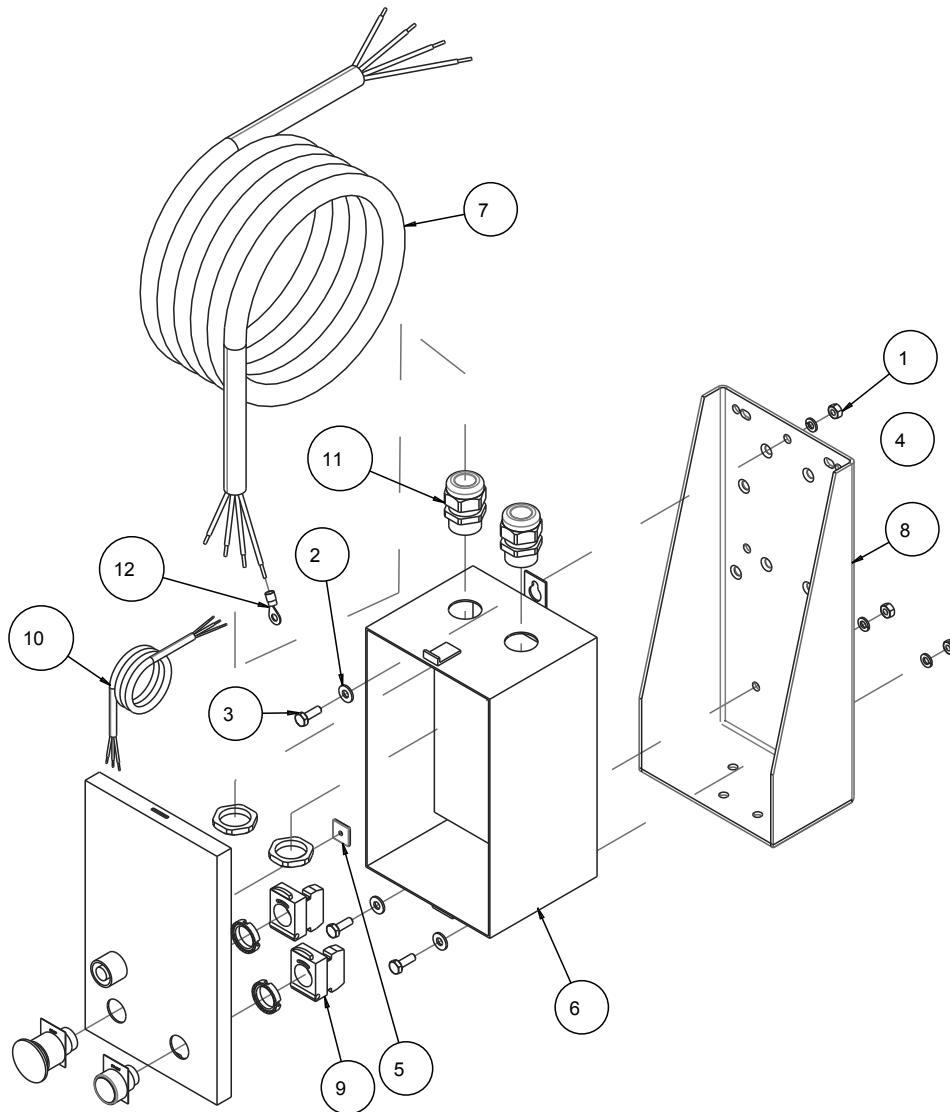


FIGURE 20 - MK-5000 ASSY, SWITCH, 3-PHASE P/N 162470



ITEM	DESCRIPTION	PART #	QTY
1	NUT, HEX, 1/4-20	151893	3
2	WASHER, FLAT, SAE, 1/4	151915	3
3	SCREW, HEX HD, 1/4-20 X 3/4	152370	3
4	WASHER, LOCK, SPLIT, 1/4	152591	3
5	PLATFORM, CABLE TIE-BLACK	156130	1
6	STARTER, NEMA 1, MK5000	156199	1
7	CORD, ELEC. SOWA 10/4 YELLOW 10 FT	156215	1
8	BRACKET, SWITCH MTG	156492	1
9	ASSY, PUSH BUTTON MK-5000 3PH	156528	1
10	CORD, ELEC, 16/3 CMR, GRAY, 1'	157159	1
11	CONNECTOR, CORD, LTF21	160675	2
12	TERMINAL, 12-10 X 1/4 RING PI	162471	1