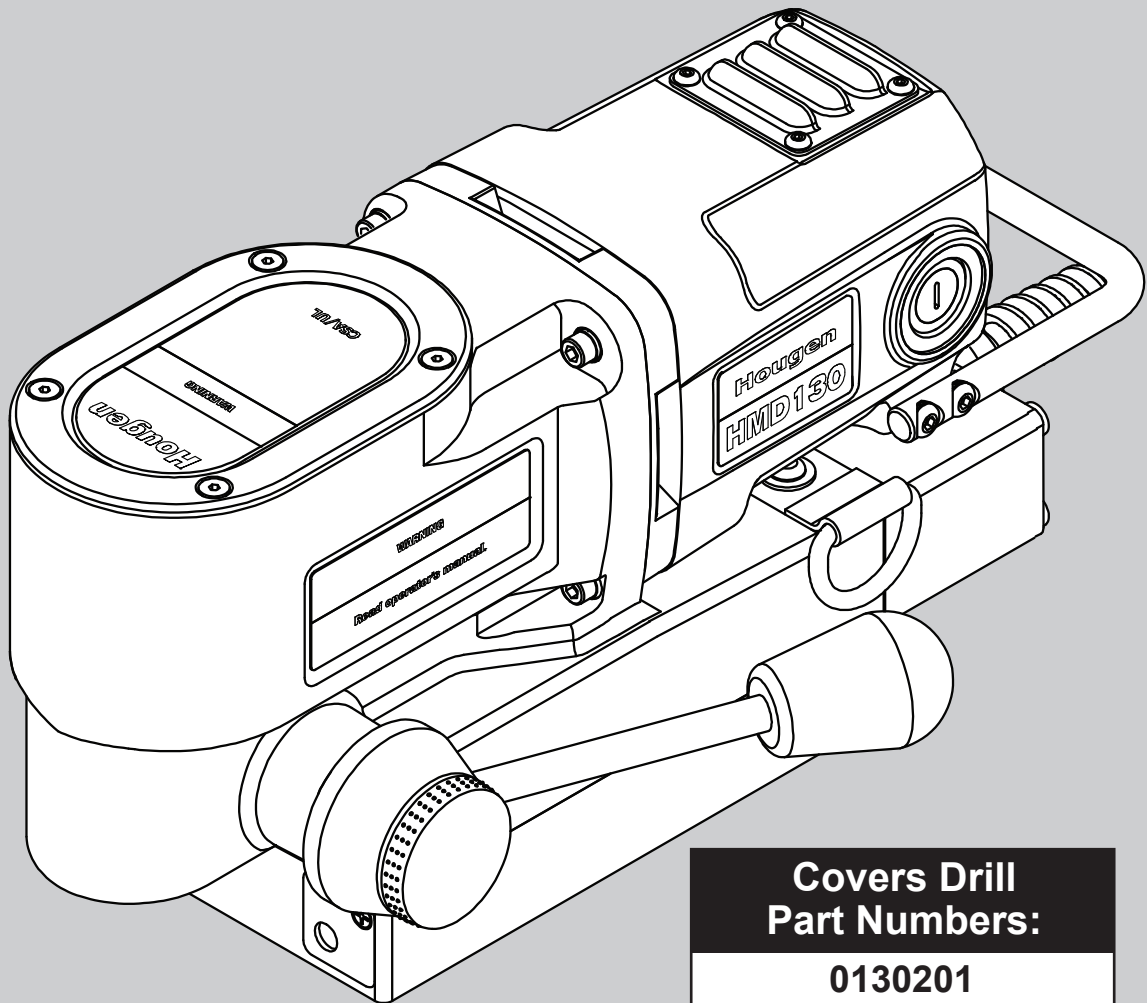




OPERATOR'S MANUAL

HMD130 SERIES PORTABLE MAGNETIC DRILL

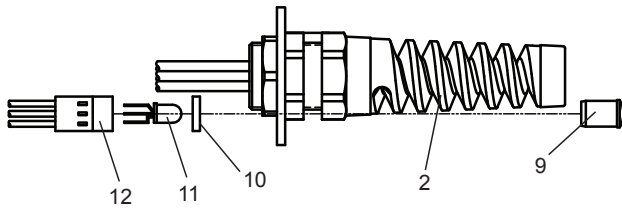
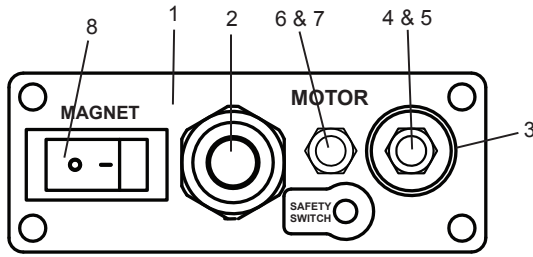


**Covers Drill
Part Numbers:**

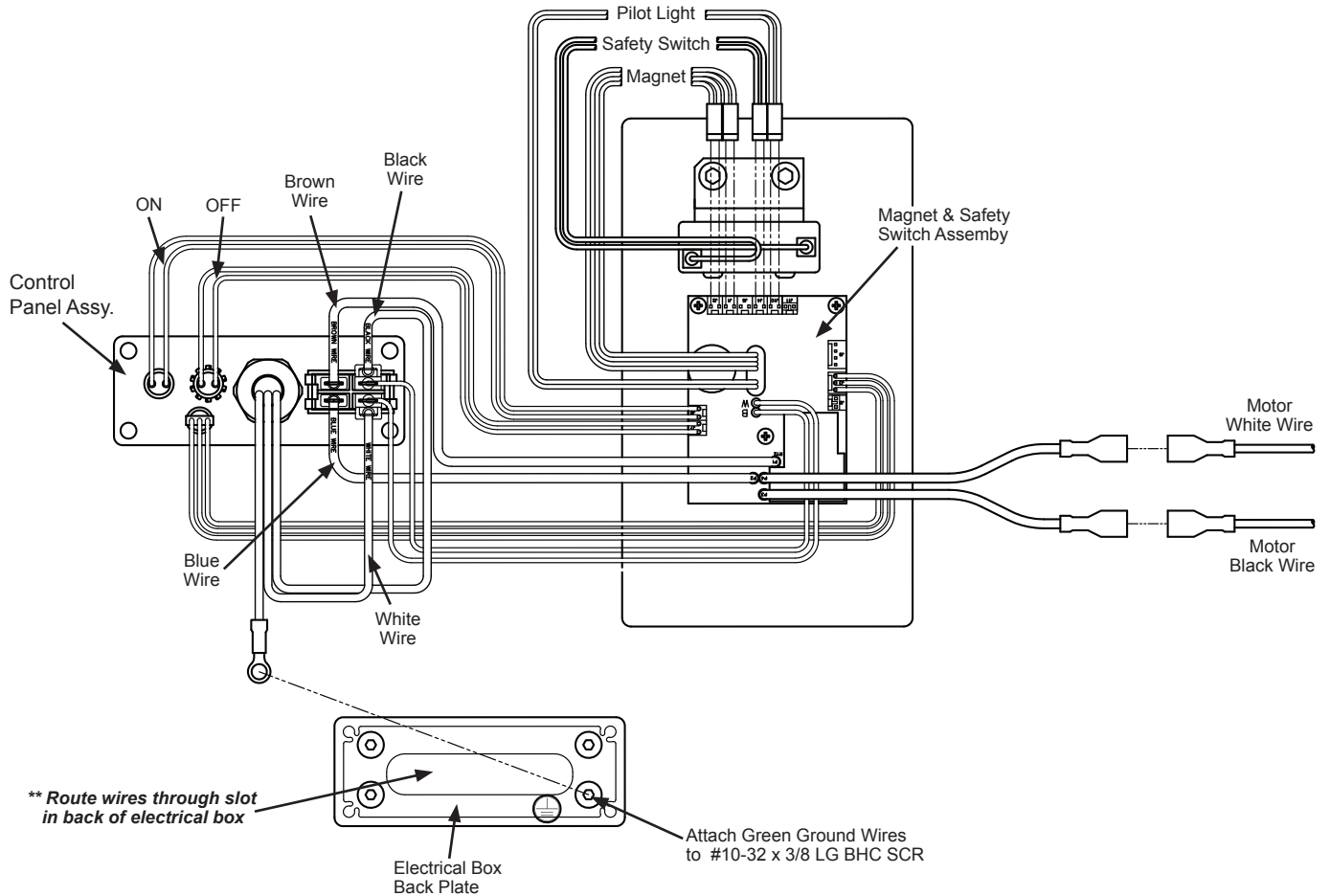
**0130201
0130301**

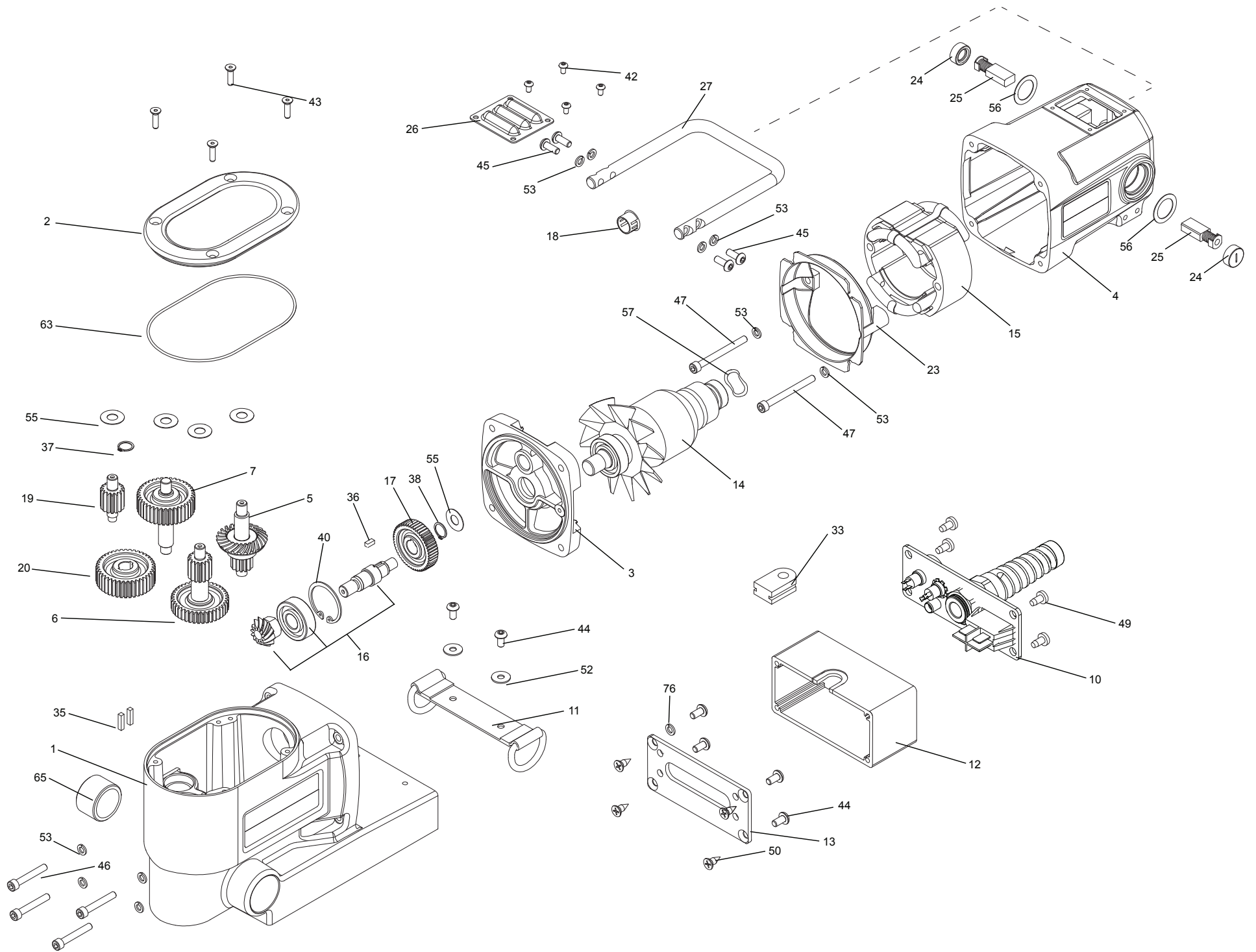
FOR USE WITH ROTALOC PLUS[™] CUTTERS

CONTROL PANEL ASSEMBLY

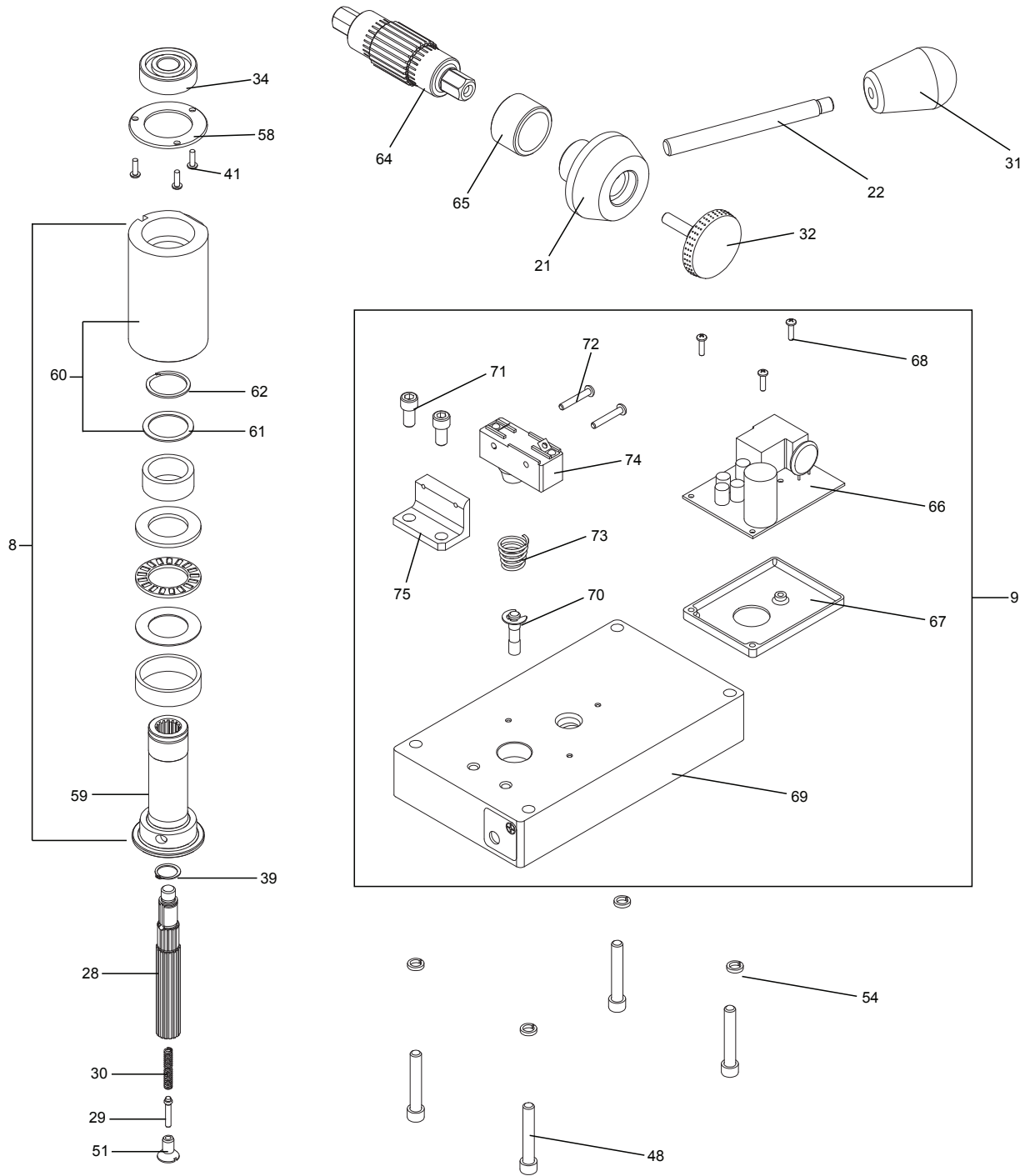


08837 Control Panel Assembly - 230V			
08839 Control Panel Assembly - Type I 230V			
Item	Part #	Description	Qty
1	08829	Faceplate	1
2	07299	Power Cord Assy - 230V	1
	08371	Power Cord Assy - Type I	1
3	08831	Guard - Switch	1
4	08832	Switch - Motor On	1
5	08834	Cover - Switch Green	1
6	08833	Switch - Motor Off	1
7	08835	Cover - Switch Red	1
8	08830	Switch - Rocker, Illuminated	1
9	04879	Lens - LED	1
10	04878	Spacer - LED	1
11	04881	Bulb - LED	1
12	04877	Wire Harness	1





6



HMD130 PARTS LIST

Item #	Part #	Description	Qty
1	08596	Drill Housing & Label Assy - 230V	1
2	08427	Gear Box Cap	1
3	08428	Gear Box Cover	1
4	08588	Motor Housing Assy - 230V	1
5	08430	Gear Assy, 24 & 14 Tooth	1
6	08431	Gear Assy, 39 & 15 Tooth	1
7	08432	Gear Assy, 39 Tooth	1
8	08433	Quill & Arbor Assy	1
9	08589	Magnet / Switch Assy - 230V	1
10	08837	Control Panel Assy - 230V	1
	08839	Control Panel Assy - Type I	1
11	08436	Safety Strap	1
12	08827	Housing, Electrical Box	1
13	08828	Backplate	1
14	17631	Armature - 230V	1
15	08591	Field - 230V	1
16	08605	Spindle Assy.	1
17	08441	Spur Gear #2 - 50 Tooth	1
18	07216	Hole Plug	1
19	08443	Spur Gear #7 - 15 Tooth, 24 PD	1
20	08444	Spur Gear #8 - 40 Tooth, 24 PD	1
21	08445	Feed Hub	1
22	08511	Feed Handle	1
	08512	Feed Handle	1
23	07846	Baffle	1
24	17622	Cap - Brush Holder	2
25	17621	Carbon Brush	1
26	07848	Cover, Brush Access	1
27	08447	Handle	1
28	08606	Spline Shift	1
29	08513	Plunger	1
30	17492	Spring - Comp, ϕ .18 x 1.0 FL	1
31	17021	Knob - Oval	1
32	08449	Knob - Rubber Grip	1
33	08450	Grommet - Vibration	1
34	17270	Bearing	2
35	17277	Key - 1/8 SQ x .53 LG	2
36	08451	Key - 1/8 SQ x 5/32 LG	1
37	08456	Ring - Retaining .406 Shaft	1
38	08452	Ring - Retaining 7/16 Shaft	1

Item#	Part #	Description	Qty
39	17475	Ring - Retaining 12mm shaft	1
40	08453	Ring - Retaining, Int 1.259 Bore	1
41	04718	SCR PAN HD #4-40 x 3/8 LG	3
42	02385	SCR BHC #6-32 x 1/4	4
43	90448	SCR FHC #8-32 x 5/8 LG	4
44	41044	SCR BHC #10-32 x 3/8 LG	6
45	90077	SCR BHC #10-32 x 1/2 LG	4
46	51044	SCR SHC #10-32 x 1-1/4	4
47	07849	SCR SHC #10-32 x 2 LG	2
48	40078	SCR SHC 1/4-20 x 1-1/2 LG	4
49	24081	SCR Self Tap Pan HD #10 x 3/8	4
50	17459	SCR FHC - Tapping #10 x 1/2	4
51	17493	SCR FHC - Altered 1/4-28	1
52	90237	Washer - Flat #10	2
53	50038	Washer - Lock Helical #10	10
54	04721	Washer - Lock 1/4 Hi-Collar	4
55	17610	Washer - Flat 8mm	5
56	17632	Washer - Fiber	2
57	08000	Washer - Spring	1
58	08454	Washer - Bearing Retainer	1
59	08481	Arbor Assy	1
60	08482	Quill Assy	1
61	08483	Washer - Thrust	1
62	24164	Ring - Retaining	1
63	08467	O-Ring	1
64	08463	Gear - Feed 24 Tooth 1.00 PD	1
65	40231	Bronze Bushing	1
66	08673	Circuit Board - 230V	1
67	08493	Spacer - Circuit Board	1
68	08494	SCR - PAN HD #4-40 x 7/16	3
69	08491	Magnet - Winding Assy	1
70	08492	Plunger Assy	1
71	10971	SCR SHC 1/4-20 x 1/2	2
72	10972	SCR BHC 6-32 x 7/8	2
73	17271	Spring	1
74	04885	Safety Switch Assy	1
75	04909	Bracket - Safety Switch	1
76	10560	Lock Washer	1

ROTALOC PLUS™ CUTTERS FOR THE HMD130

The RotaLoc Plus™ cutters are made specifically for the HMD130. They are equipped with 5/8" tool-less Bayonet-style twist and lock shank, 1" D.O.C. stack cut cutter. They are made of premium M42 high speed steel and available in diameters from 7/16" to 1-3/8" and 12mm to 35mm.

Rotaloc Plus™ Cutters 1" D.O.C.

Use with Pilot Pin 17810			
17814	7/16"	17900	12mm
17816	1/2"	17902	13mm
17818	9/16"	17904	14mm
17820	5/8"	17906	15mm
17822	11/16"	17908	16mm
17824	3/4"	17910	17mm
17826	13/16"	17912	18mm
17828	7/8"	17914	19mm
17830	15/16"	17916	20mm
17832	1"	17918	21mm
17834	1-1/16"	17920	22mm
17836	1-1/8"	17922	23mm
17838	1-3/16"	17924	24mm
17840	1-1/4"	17925	24.5mm
17842	1-5/16"	17926	25mm
17844	1-3/8"	17928	26mm
		17930	27mm
		17932	28mm
		17934	29mm
		17936	30mm
		17938	31mm
		17940	32mm
		17942	33mm
		17944	34mm
		17946	35mm

Rotaloc Plus™ Cutter Kits 1" D.O.C.

Part #	Description
17802	Kit contains (3) Cutters, 1" D.O.C. - 1/2", 5/8", 3/4" dia. plus (2) pilots in a sturdy plastic case
17803	Kit contains (3) Cutters, 1" D.O.C. - 9/16", 11/16", 13/16" dia. plus (3) Pilots in a plastic carrying case
17805	Kit contain (3) cutters, 1" D.O.C. -14mm, 16mm, 18mm dia. plus (3) pilots in a plastic carrying case.