

DIAMOND
P R O D U C T S

CONCRETE SAW
PARTS LIST

MODELS:
CC6560XL
CC6560XLJ

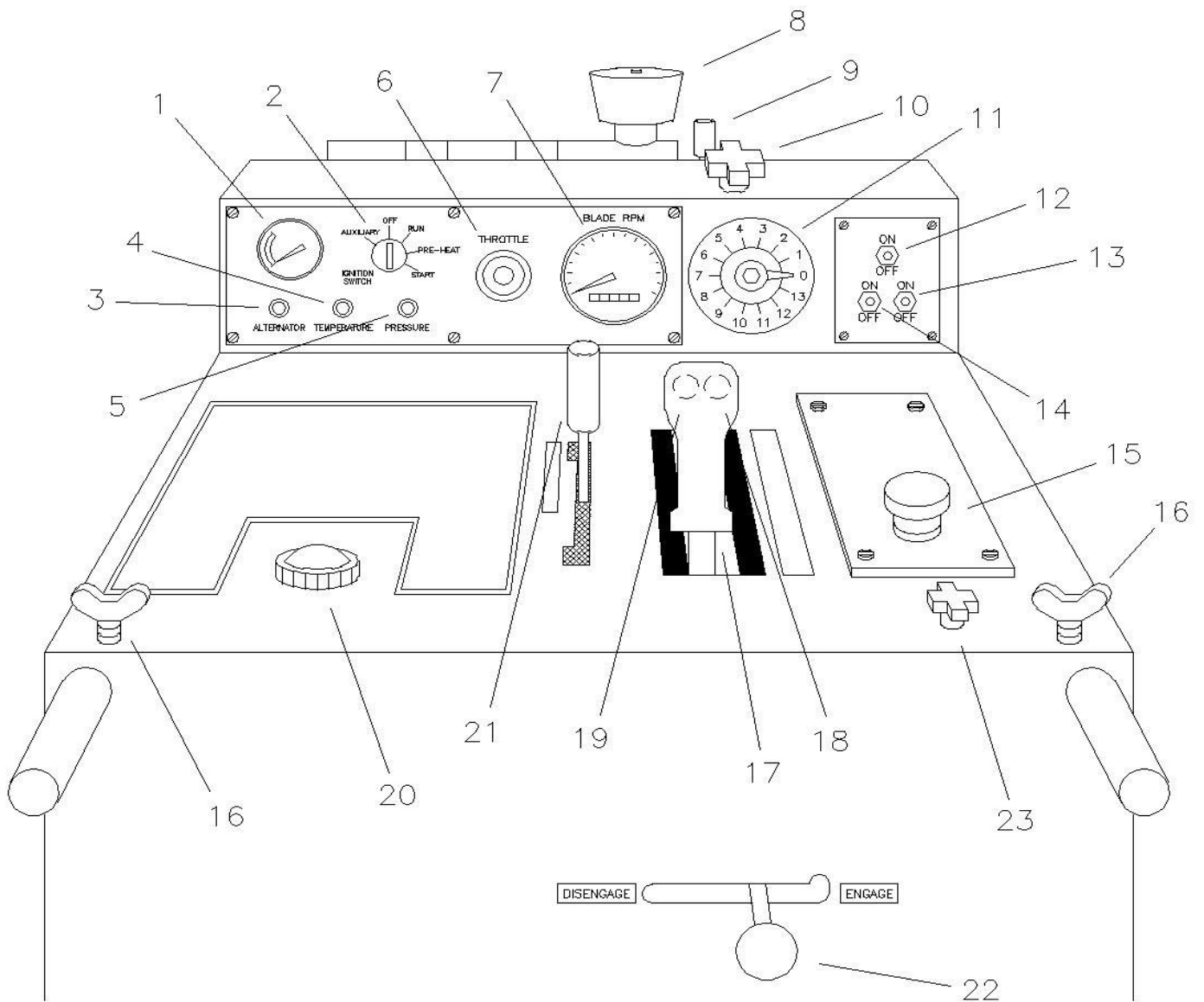
(Revised 04/19/02)

Table of Contents

<u>Description</u>	<u>Page No.</u>
Diesel Saw Controls Legend.....	3
1. Frame Group.....	4 - 5
2. Blade Shaft and Axles Group.....	6 - 7
3. Engine Group.....	8 - 11
4. Sunstrand Transmission Group.....	12 - 13
5. Eaton Transmission Group.....	14 - 15
6. Controls Group.....	16 - 17
7. Blade Guard Assembly.....	18 - 19
8. Jackshaft Group.....	20 - 21
9. Wiring Diagram.....	22 - 23
10. Options Wiring Diagram.....	24
11. Decal Group.....	25
Blade / Engine Speed (RPM) Chart.....	26 - 27
Warranty.....	28

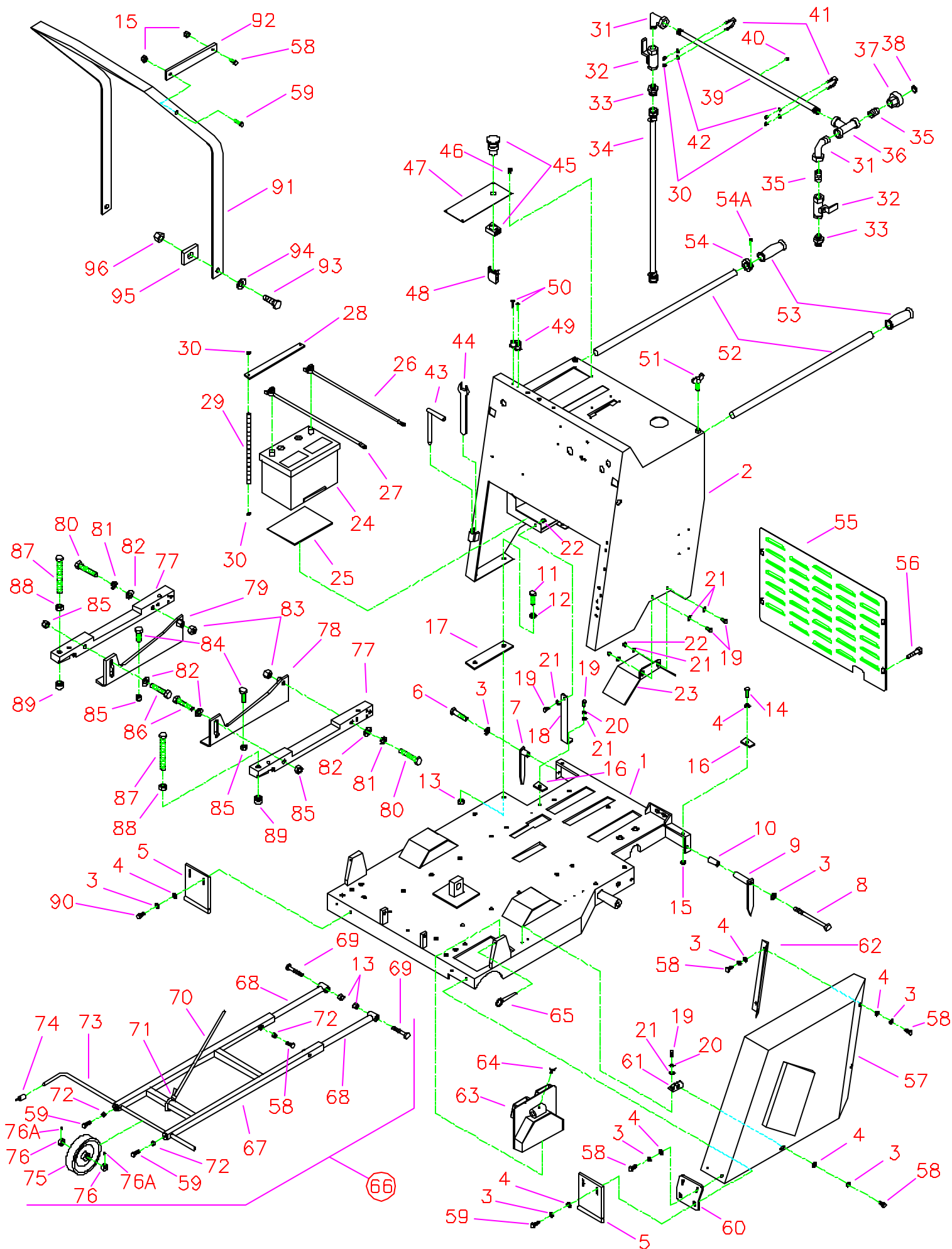
Quick Reference Service Filters

<u>Part #</u>	<u>Description</u>	
2701775	Engine Oil Filter	(Deutz #1174416)
2701339	Engine Fuel Filter	(Deutz #1174482)
2500474	In-line Fuel Tank Filter	(Fram #G2)
2501386	Outer Primary Air Filter	(Donaldson #P827653)
2501387	Inner Safety Air Filter	(Donaldson #P829332)



CC6560XL and CC6560XLJ Diesel Saw Controls Legend

- | | | | |
|----|-----------------------------------|----|--|
| 1 | Engine Temperature Gauge | 13 | Spotlight Switch (Optional) |
| 2 | Ignition Switch | 14 | Water Pump Switch (Optional) |
| 3 | Alternator Light (Orange) | 15 | Emergency Stop Button |
| 4 | Oil Temperature Light (Red) | 16 | Handle Lock Knobs |
| 5 | Oil Pressure Light (Green) | 17 | Speed Control Lever |
| 6 | Vernier Throttle Control | 18 | Lower Pushbutton |
| 7 | Blade Tachometer / Hour Meter | 19 | Raise Pushbutton |
| 8 | Pre-Cleaner | 20 | Fuel Tank Cap |
| 9 | Air Cleaner Restriction Indicator | 21 | Transmission Engagement Lever * |
| 10 | Depth Stop Knob | 22 | Transmission Engagement Lever ** |
| 11 | Cutting Depth Indicator | 23 | Lowering Speed Metering Valve (Optional) |
| 12 | Water Safety Switch (Optional) | | |
- * For Eaton Transmission Only
 ** Optional for Sundstrand Transmission Only

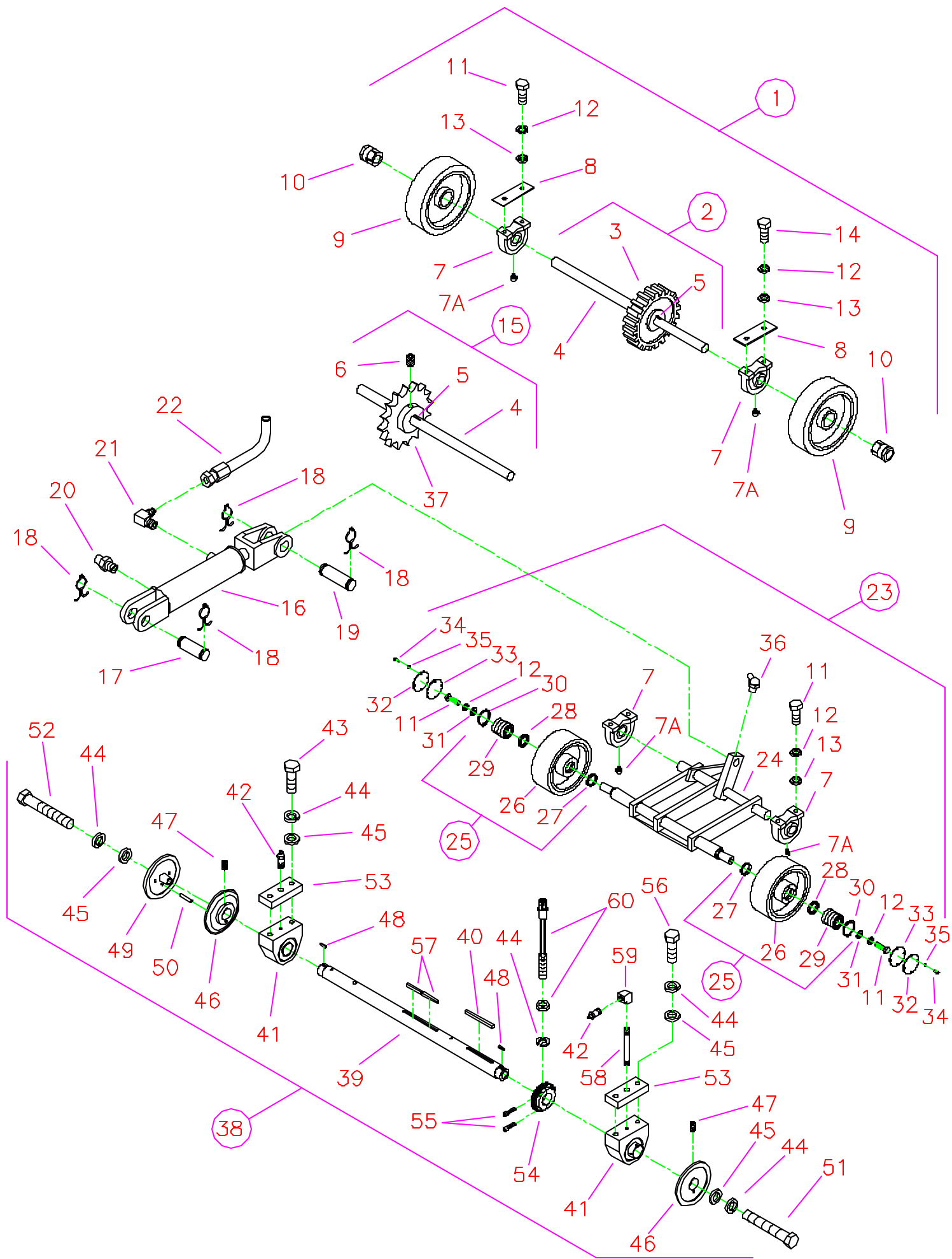


CC6560XL Parts List

Drawing 1

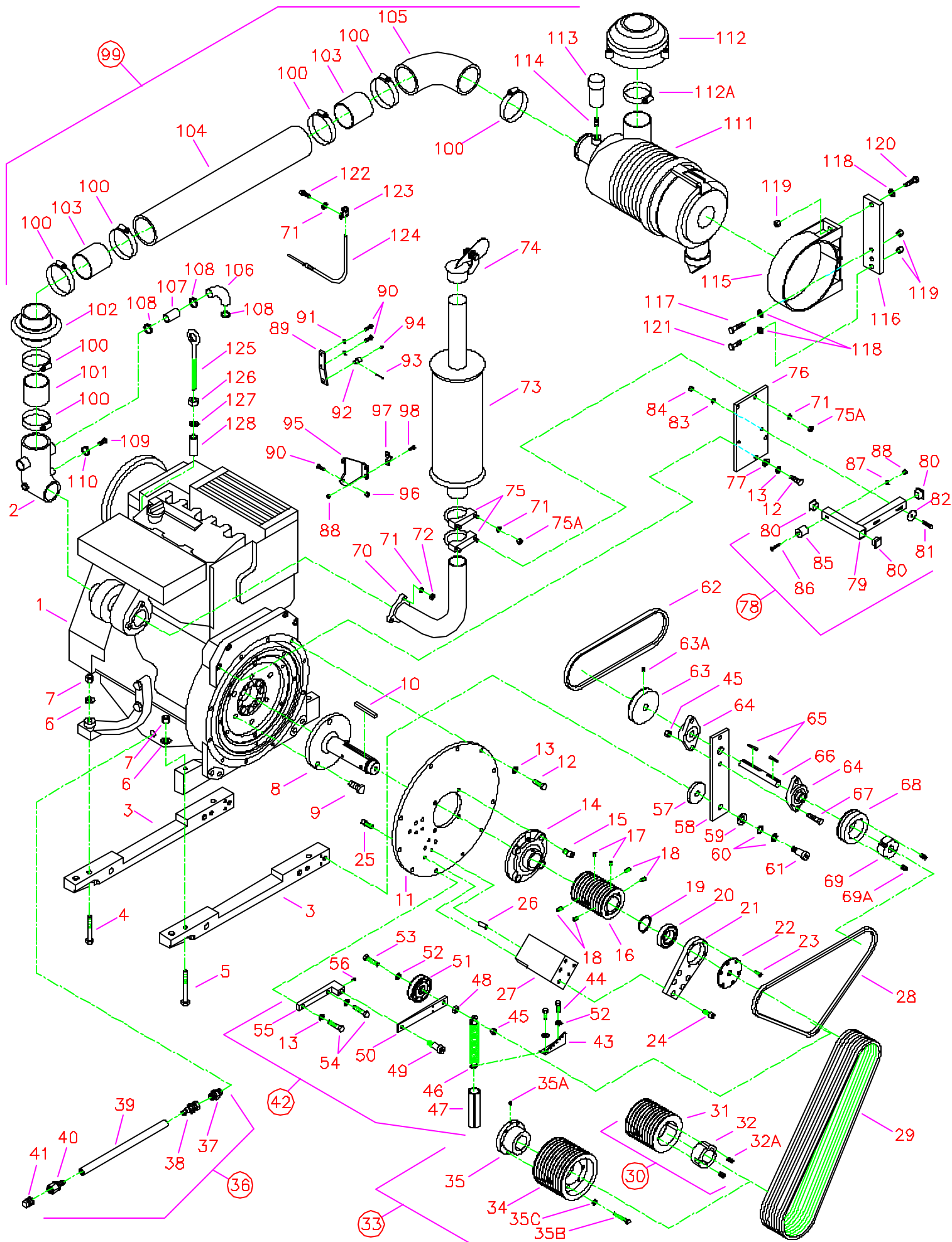
Frame Group

Diagram Number	Part No.	Qty. Req.	Description	Diagram Number	Part No.	Qty. Req.	Description
1	6010550	1	Frame Base	51	2900430	2	Hand Lock Knob, 1/2"-13 x 1-1/2"
2	6010001	1	Frame Upright	52	6010014	2	Handle Bar, 36" Long
3	2900006	13	Lock Washer, 3/8" Split		6010328	2	Handle Bar, 48" Long
4	2900014	13	Flat Washer, 3/8" SAE	53	2500636	2	Handle Grip
5	6010548	2	Skid Plate	54	2501412	1	Shaft Collar, 1" Split
6	2900047	1	Capscrew, Hex Hd., 3/8"-16 x 1-3/4"	54A	REF	1	Capscrew, Soc. Hd., 1/4"-28 x 5/8"
7	6010022	1	Rear Pointer, Right Side	55	6010015	1	Rear Cover Screen
8	2900177	1	Capscrew, Hex Hd., 3/8"-16 x 6"	56	2900180	4	Machine Screw, Hex Washer Hd., 1/4"-20 x 1"
9	6010514	1	Rear Pointer, Left Side	57	6010557	1	Belt Guard for CC6560XL
10	6041081	1	Spacer, 1-3/4" Long		6010571	1	Belt Guard for CC6560XLJ
11	2900139	4	Capscrew, Hex Hd., 1/2"-13 x 1-3/4"	58	2900005	11	Capscrew, Hex Hd., 3/8"-16 x 1"
12	2900058	4	Flat Washer, 1/2" SAE	59	2900013	6	Capscrew, Hex Hd., 3/8"-16 x 1-1/4"
13	2900026	6	Lock Nut, 1/2"-13 Nylon	60	6010553	1	Guard Attachment Plate 25° for CC6560XL
14	2900029	2	Capscrew, Hex Hd., 3/8"-16 x 1-1/2"		6010572	2	Guard Attachment Plate (Flat) for CC6560XLJ
15	2900018	6	Lock Nut, 3/8"-16 Nylon	61	6010558	1	Guard Mounting Tab 90°
16	2501337	3	Rubber Frame Mount, Rear	62	6010556	1	Belt Guard Mount Bracket 60°
17	2501338	2	Rubber Frame Mount, Front	63	6010555	1	Shaft/Flange Guard
18	6010554	1	Battery Support Brace	64	2900307	1	Wing Screw, M6 x 16mm
19	2900019	8	Capscrew, Hex Hd., 5/16"-18 x 3/4"	65	2900156	1	Lock Pin
20	2900031	3	Lock Washer, 5/16" Split	66	6010540	1	Front Pointer Assembly
21	2900022	12	Flat Washer, 5/16" SAE	67	6010541	1	Front Pointer Frame
22	2900039	5	Lock Nut, 5/16"-18 Nylon	68	6011152	2	Front Pointer Arm
23	6010577	2	Wheel Fender	69	2900105	2	Capscrew, Hex Hd., 1/2"-13 x 2-3/4"
24	2700208	1	Battery, 12 Volt	70	6013055	1	Pointer Cable
25	6010016	1	Battery Pad	71	3200221	2	Cable Clamp
26	2800073	1	Battery Cable, Positive (Red)	72	2900033	4	Hex Nut, 3/8"-16
27	2800072	1	Battery Cable, Negative (Black)	73	6013025	1	Front Pointer Rod
28	6010017	1	Battery Top Brace	74	2500740	1	Pointer Cap
29	6010018	2	Rod, 1/4"-20 x 8-1/2"	75	2501409	1	Wheel, 6"
30	2900010	8	Lock Nut, 1/4"-20 Nylon	76	2500007	2	Set Collar, 1/2" with Setscrew
31	3200013	2	Street Elbow, 1/2" NPT	76A	2900056	2	Setscrew, Soc. Hd., 1/4"-20 x 1/4"
32	3200027	2	Water Valve	77	6013008	2	Engine Support Leg
33	3200155	2	Fitting, 1/2" Male Pipe to 3/4" Male Garden Hose	78	6010551	1	Engine Mount, Left
34	6010021	1	Hose Assembly, 42" Long	79	6010552	1	Engine Mount, Right
35	3200008	2	Close Nipple, 1/2" NPT	80	2900099	2	Capscrew, Hex Hd., 5/8"-11 x 3-1/2"
36	3200045	1	Pipe Tee, 1/2" NPT	81	2900113	2	Lock Washer, 5/8" Split
37	3200022	1	Fitting, 1/2" Female Pipe to 3/4" Female Garden Hose	82	2900002	4	Flat Washer, 5/8" SAE
38	3200025	1	Filter Hose Washer	83	2900112	2	Hex Nut, 5/8"-11
39	6090069	1	Water Supply Tube	84	2900147	6	Capscrew, Hex Hd., 5/8"-11 x 1-3/4"
40	3200001	1	Plug 1/8" NPT	85	2900135	8	Lock Nut, 5/8"-11 Nylon
41	2900241	2	U-Bolt, 1/2" Pipe	86	2900195	2	Capscrew, Hex Hd., 5/8"-11 x 3"
42	2900009	4	Flat Washer, 1/4" SAE	87	2900475	2	Tap Bolt, Hex Hd., 3/4"-10 x 5"
43	2900154	1	Bladeshift Lock-Pin	88	2900041	2	Hex Nut, 3/4"-10
44	2500211	1	Bladeshift Wrench, 15/16"	89	2900476	2	Swivel Pad Nut, 3/4"-10
45	2800213	1	Emergency Stop Button	90	2900196	2	Capscrew, Hex Hd., 3/8"-16 x 3/4"
46	2900021	4	Tapscrew, Pan Hd., #10-24 x 3/8"	91	6013051	1	Frame Lift
47	6010019	1	Hydraulic Pump Cover Plate	92	6013052	1	Frame Lift Brace
48	2800229	1	Contact Block N.C.	93	2900465	2	Capscrew, Hex Hd., 3/4"-10 x 2-1/4"
49	2501427	1	Cable Cleat	94	2900003	2	Flat Washer, 3/4" SAE
50	2900483	2	Tapscrew, Flat Hd., #10-24 x 1"	95	6013053	2	Frame Lift Spacer
				96	2900467	2	Lock Nut, 3/4"-10 Nylon



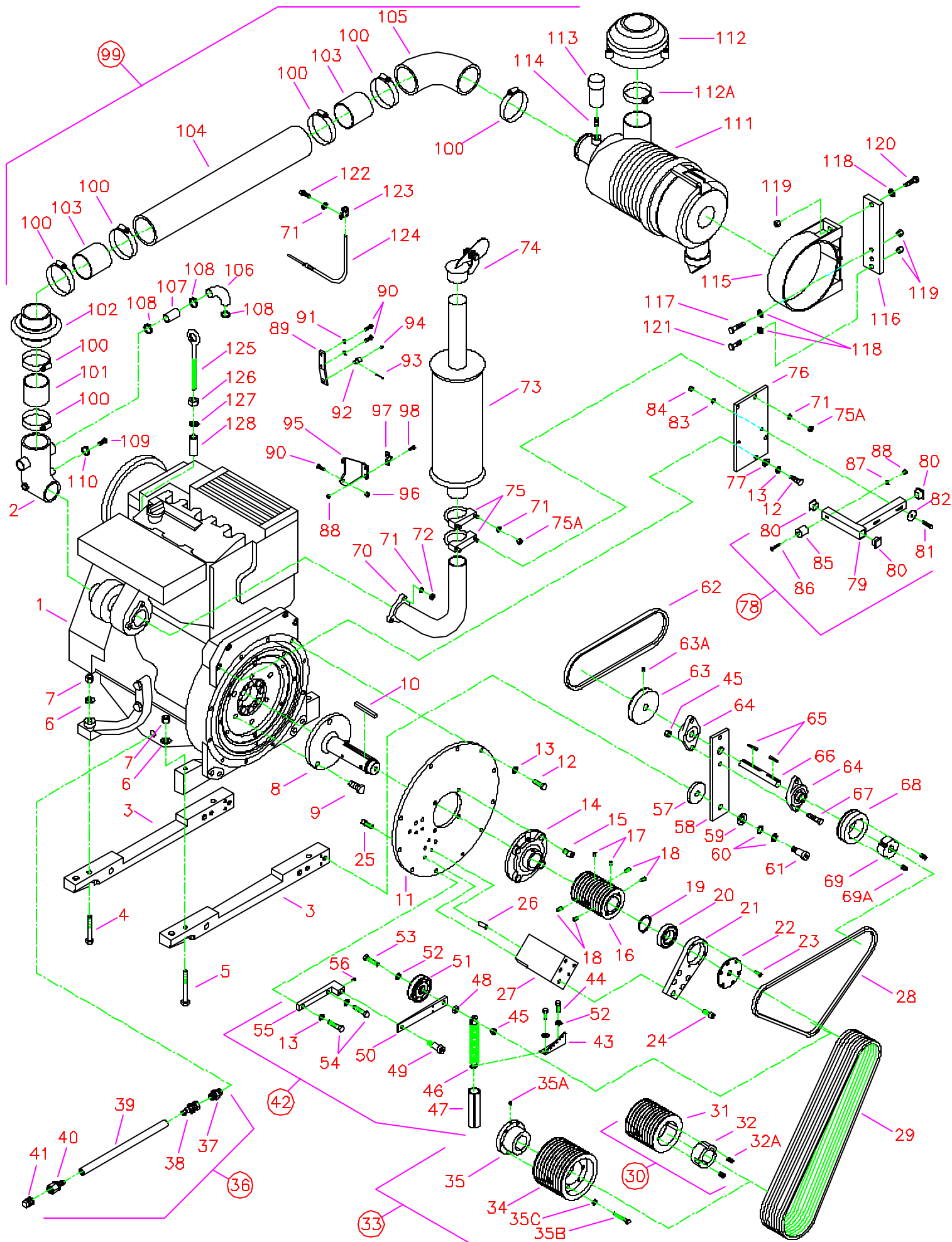
CC6560XL Parts List
Drawing 2
Blade Shaft and Axles Group

Diagram Number	Part No.	Qty. Req.	Description	Diagram Number	Part No.	Qty. Req.	Description
1	6010280	1	Rear Axle Assembly with 68 Tooth Gear (Includes #2 - #14)	36	2900184	1	Grease Fitting, 1/4"-28 x 45°
	6010282	1	Rear Axle Assembly with Chain Sprocket (Includes #4 - #15)	37	2500267	1	Wheel Drive Sprocket, 35 Tooth
2	6010279	1	Rear Axle Weldment with 68 Tooth Gear (Includes #3 - #5)	38	6010578	1	Blade Shaft Assembly with 4-1/2" Diameter Flanges (Includes #39 - #57) for 20" Blade Guard
3	6010284	1	Wheel Drive Gear, 68 Tooth	6010579		1	Blade Shaft Assembly with 5" Diameter Flanges (Includes #39 - #57) for 26" Blade Guard
4	6010278	1	Rear Axle	6010580		1	Blade Shaft Assembly with 6" Diameter Flanges (Includes #39 - #57) for 30" & 36" Blade Guards
5	6010169	1	Key, 1/4" Sq. x 1-1/4"				
6	2900142	2	Setscrew, Soc. Hd., 5/16"-18 x 3/8"	39	6010543	1	Blade Shaft
7	2500158	4	Pillow Block Bearing 1-1/4"	40	4645006	1	Key, 3/8" Sq. x 4" for CC6560XL
7A	2900061	4	Grease Fitting, 1/4"-28 x 90°	41	2500151	2	Blade Shaft Bearing, 1-3/4"
8	6010024	2	Rear Axle Bearing Spacer, 1/8"	42	2900264	2	Grease Fitting, 1/8" NPT x 1-3/4"
9	2500873	2	Wheel, 10" Rear with 2" Bore	43	2900136	2	Capscrew, Hex Hd., 5/8"-11 x 2"
10	2500874	2	Trantorque Bushing, 1-1/4"	44	2900113	7	Lock Washer, 5/8" Split
11	2900025	8	Capscrew, Hex Hd., 1/2"-13 x 1-1/4"	45	2900002	6	Flat Washer, 5/8" SAE
12	2900084	10	Lock Washer, 1/2" Split	46	6010036	2	Inner Flange, 4-1/2" for 20" Blade Guard
13	2900058	8	Flat Washer, 1/2" SAE	6010255		2	Inner Flange, 5" for 26" Blade Guard
14	2900139	2	Capscrew, Hex Hd., 1/2"-13 x 1-3/4"	6010038		2	Inner Flange, 6" for 30" & 36" Blade Guards
15	6010281	1	Rear Axle Weldment with Chain Sprocket (Includes #4 - #6, #37)	47	2900418	2	Setscrew, Soc. Hd., 5/16"-18 x 5/8"
16	2500177	1	Hydraulic Cylinder	48	6010040	2	Key, 1/4" Sq. x 13/16"
	2500278	1	(Seal Kit)	49	6010037	1	Outer Flange, 4-1/2" with Drive Pin for 20" Blade Guard
17	6010031	1	Cylinder Pin, 3"	6047907		1	Outer Flange, 5" with Drive Pin for 26" Blade Guard
18	2900064	4	Hair Pin Cotter, 3/4"	6010039		1	Outer Flange, 6" with Drive Pin for 30" & 36" Blade Guards
19	6010119	1	Cylinder Pin, 3-1/2"	50	2900197	1	Drive Pin, 3/8" Dia. x 2"
20	3200067	1	Cylinder Breather, 1/4" NPT	51	2900146	1	Capscrew, Hex Hd., 5/8"-11 x 4" Right Hand
21	3200057	1	Elbow, 1/4" Male Pipe to 1/4" Male JIC	52	2900130	1	Capscrew, Hex Hd., 5/8"-11 x 4" Left Hand
22	3200054	1	Hydraulic Hose Assembly, 32" Long	53	6010035	2	Blade Shaft Bearing Spacer, 5/8"
23	6010562	1	Front Axle Assembly (Includes #7, #11 - #13, #24 - #36)	54	6010230	1	Shaft Tach Gear, Split
24	6010535	1	Front Axle Weldment	55	2900089	2	Capscrew, Soc. Hd., 1/4"-28 x 1"
25	6010581	2	Wheel Assembly, 8" Front (Includes #26 - #30)	56	2900136	2	Capscrew, Hex Hd., 5/8"-11 x 2" for CC6560XL
26	2501390	2	Wheel, 8" Front	2900527		2	Capscrew, Hex Hd., 5/8"-11 x 2-1/2" for CC6560XLJ
27	2501428	2	Seal, 1-1/2" V-Ring	57	6011058	2	Key, 3/8" Sq. x 2-3/4" for CC6560XLJ
28	2501391	2	Seal, 1-1/4" x 1-3/4" x 1/4"	58	3200179	1	Pipe Nipple, 1/8" NPT x 3" for CC6560XLJ
29	2501418	8	Bearing, 1" x 2" x 1/2"	59	3200154	1	Pipe Elbow, 1/8" NPT Female for CC6560XLJ
30	2501392	2	Retaining Ring, 2" Internal	60	2800169	1	Magnetic Sensor with Wire Connector and Hex Nut
31	2900127	2	Flat Washer, 1/2" USS				
32	6010536	2	Wheel Cover				
33	2501393	2	Wheel Cover Gasket				
34	2900159	8	Capscrew, Round Hd., #10-24 x 5/8"				
35	2900038	8	Lock Washer, #10 Split				



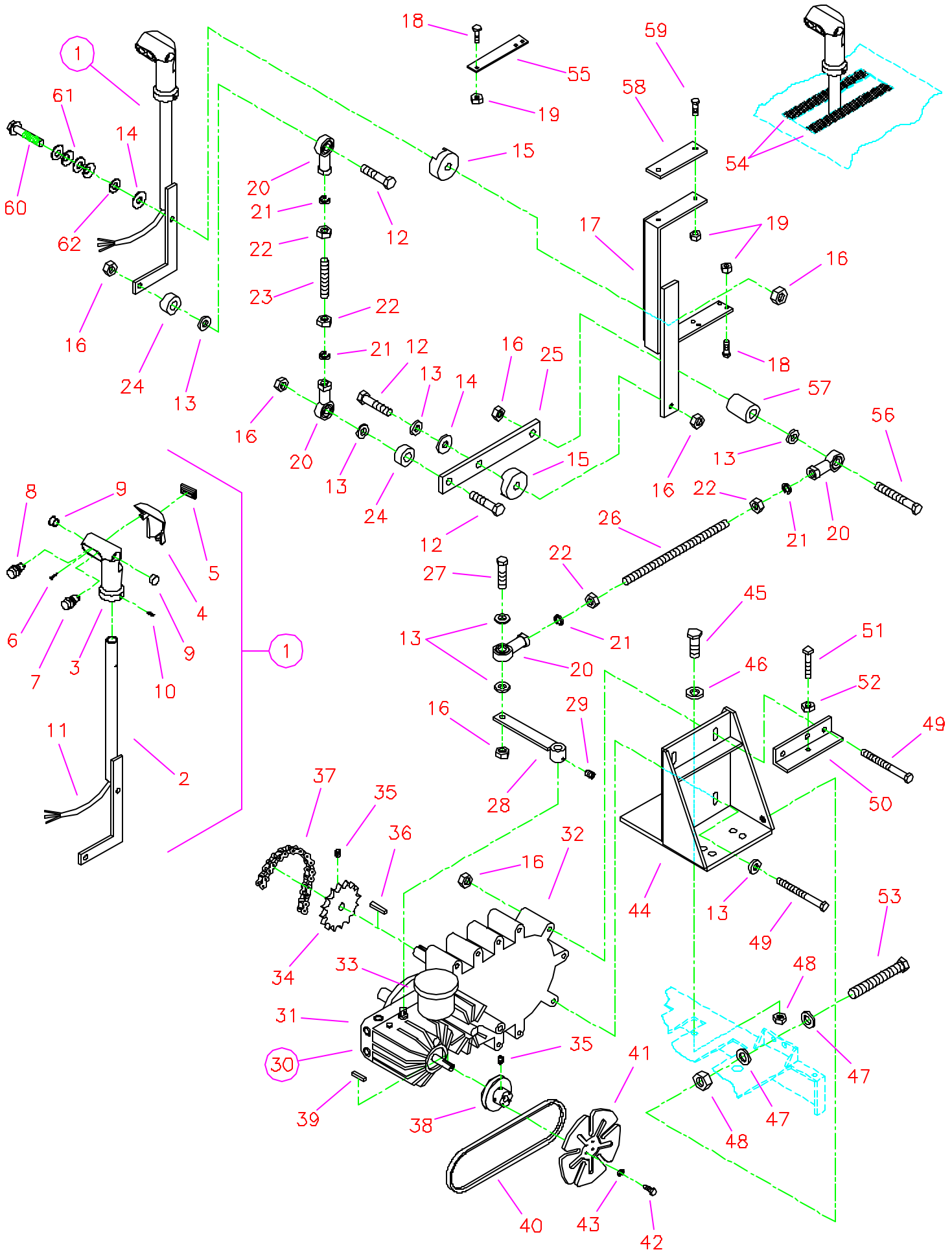
CC6560XL Parts List
Drawing 3
Engine Group

Diagram Number	Part No.	Qty. Req.	Description	Diagram Number	Part No.	Qty. Req.	Description
1	2600257	1	Engine, Deutz Diesel Model BF3L1011F (Includes #2)	31	2501381	1	Sheave, 4.50-10 Groove Taper Style for 20" Blade Guards
	2701775	1	(Oil Filter)		2500655	1	Sheave, 5.00-10 Groove Taper Style for 26" Blade Guards
	2701339	1	(Fuel Filter)				
2	2702207	1	Turbo Inlet Hose Elbow	32	2501410	1	Taper Bushing, 1-3/4" with Setscrews for 20" Blade Guards
3	6013008	2	Engine Support Leg				
4	2900346	2	Capscrew, Hex Hd., M12 x 80mm		2500454	1	Taper Bushing, 1-3/4" with Setscrews for 26" Blade Guards
5	2900347	2	Capscrew, Hex Hd., M12 x 100mm				
6	2900058	4	Flat Washer, 1/2" SAE	32A	2900485	2	Setscrew, Soc. Hd., 7/16"-14 x 7/8" for 20" Blade Guards
7	2900327	4	Lock Nut, M12 Nylon				
8	6010530	1	PTO Shaft		2900486	2	Setscrew, Soc. Hd., 1/2"-13 x 1" for 26" Blade Guards
9	2900349	3	Capscrew, Hex Hd., M14 x 35mm				
10	6012065	1	Key, 3/8" Sq. x 3-1/2"	33	6013046	1	Sheave, 6.00-10 Groove with 1-3/4" QD Bushings for 30" and 36" Blade Guards (Includes #34 and #35)
11	6012037	1	Inner Ring Support				
12	2900223	11	Capscrew, Hex Hd., M10 x 30mm				
13	2900321	13	Lock Washer, M10 Split	34	2500439	1	Sheave Only, 6.00-10 Groove QD Style for 30" and 36" Blade Guards
14	6010509	1	Flange Cartridge Bearing, 1-3/4"				
15	2900460	4	Capscrew, Soc. Hd., 7/16"-14 x 3/4"	35	2500176	1	Bushing Only, 1-3/4" QD with Fasteners
16	6010534	1	Sheave, 3.60 - 11 Groove x 1-3/4" Bore	35A	2900056	1	Setscrew, Soc. Hd., 1/4"-20 x 1/4"
17	2900142	2	Setscrew, Soc. Hd., 5/16"-18 x 3/8"	35B	2900289	3	Capscrew, Hex Hd., 5/16"-18 x 2-1/4"
18	2900418	4	Setscrew, Soc. Hd., 5/16"-18 x 5/8"	35C	2900031	3	Lock Washer, 5/16" Split
19	2501376	1	Retaining Ring, 1-3/4" External	36	6010516	1	Oil Drain Hose Assembly (Includes #37 - #41)
20	2500747	1	Ball Bearing, 1-1/2" Bore				
21	6010532	1	Outer Bearing Support	37	3200180	1	Fitting, M18 x 1.5 Male to 1/2" Male JIC
22	6010533	1	Retaining Disc	38	3200181	1	Fitting, 1/2" Female JIC to 1/2" Push Lock
23	2900469	6	Capscrew, Flat Hd., #10-24 x 3/4"	39	6010245	1	Oil Drain Hose, 13" Long
24	2900175	5	Capscrew, Soc. Hd., 3/8"-16 x 1"	40	3200163	1	Fitting, 1/2" Female Pipe to 1/2" Push Lock
25	2900230	3	Capscrew, Flat Hd., 3/8"-16 x 1-1/4"	41	3200160	1	Plug, 1/2" NPT
26	2900067	2	Dowel Pin, 3/8" Dia. x 1-1/4"	42	6010539	1	Idler Assembly (Includes #13, #43 - #56)
27	6010531	1	Support Block	43	6011217	1	Idler Spring Bracket
28	2500793	1	V-Belt, 3VX425 for CC6560XL	44	2900005	2	Capscrew, Hex Hd., 3/8"-16 x 1"
	2500037	1	V-Belt, 3VX375 for CC6560XLJ	45	2900018	3	Lock Nut, 3/8"-16 Nylon
29	2500371	10	V-Belt, 3VX500 for CC6560XL with 20" and 26" Blade Guards	46	2501396	1	Spring, 1" Dia. x .105" x 6" Long
				47	6010582	1	Spring Cover, Split
	2501009	2	Banded Belt, 5/3VX530 - 5 Strand for CC6560XL with 30" and 36" Blade Guards	48	2900033	1	Hex Nut, 3/8"-16
	2500037	10	V-Belt, 3VX375 for CC6560XLJ	49	2900587	1	Shoulder Screw, 1/2" Dia. x 1"
30	6010545	1	Sheave, 4.50-10 Groove with 1-3/4" Taper Bushings for 20" Blade Guards (Includes #31 & #32)	50	6012046	1	Idler Arm
				51	2500074	1	Idler Pulley
				52	2900006	3	Lock Washer, 3/8" Split
				53	2900060	1	Capscrew, Hex Hd., 3/8"-16 x 2"
	6010573	1	Sheave, 5.00-10 Groove with 1-3/4" Taper Bushings for 26" Blade Guards (Includes #31 & #32)	54	2900316	2	Capscrew, Hex Hd., M10 x 40mm
				55	6011215	1	Idler Arm Bracket
			56	2900056	1	Setscrew, Soc. Hd., 1/4"-20 x 1/4"	



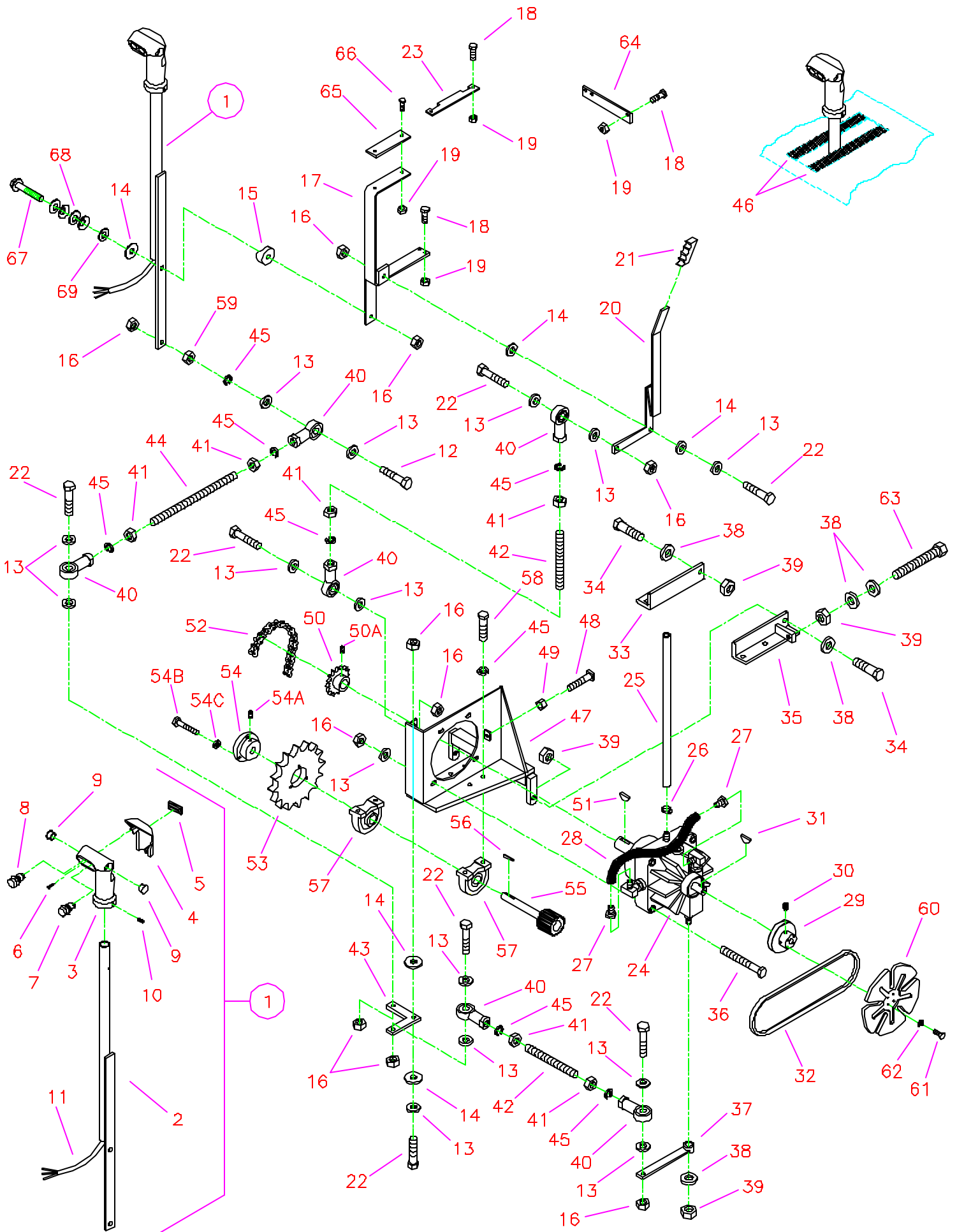
CC6560XL Parts List
Drawing 3
Engine Group

Diagram Number	Part No.	Qty. Req.	Description	Diagram Number	Part No.	Qty. Req.	Description
57	6010538	1	Friction Washer	94	2900059	1	Setscrew, Soc. Hd., #10-32 x 1/4"
58	6010537	1	Jackshaft Mount Plate	95	6010523	1	Throttle Bracket
59	2900002	1	Flat Washer, 5/8" SAE	96	2900302	2	Lock Nut, M6 Nylon
60	2900478	2	Belleville Washer, 5/8"	97	2500940	1	Throttle Cable Clamp
61	2900477	1	Shoulder Screw, 5/8" Dia. x 1"	98	2900015	2	Machine Screw, Hex Hd., #10-24 x 3/4"
62	2501290	1	V-Belt, 4L-290 for Sunstrand Transmission	99	6010576	1	Air Intake Hose Assembly (Includes #100 - #110)
	2501217	1	V-Belt, 4L-380 for Eaton Transmission				
63	2500455	1	Pulley, 4" Single Groove with Setscrew	100	3200197	7	Hose Clamp #52
63A	2900142	1	Setscrew, Soc. Hd., 5/16"-18 x 3/8"	101	6013118	1	Connector Tube, 2-3/4" O.D.
64	2500202	2	Flange Block Bearing, 3/4"	102	2501414	1	Hose Reducer, 3" to 2-3/4"
65	6048229	2	Key, 3/16" Sq. x 1-1/4"	103	6010559	2	Connector Tube, 3" O.D.
66	6013028	1	Idler Jackshaft	104	6010574	1	Air Cleaner Hose, 3" I.D. x 20" Long
67	2900047	2	Capscrew, Hex Hd., 3/8"-16 x 1-3/4"	105	2500669	1	Hose Elbow, 3" I.D.
68	2501325	1	Sheave, 3V-3.65-1 Groove	106	6010575	1	Intake Hose, 3/4" I.D. x 5" Long
69	2501191	1	Taper Bushing, 3/4" with Setscrews	107	4640011	1	Connector Tube, 7/8" O.D.
69A	2900484	2	Setscrew, Soc. Hd., 3/8"-16 x 5/8"	108	3200135	3	Hose Clamp #16
70	6013110	1	Exhaust Pipe Weldment	109	2900330	1	Capscrew, Hex Hd., M12 x 30mm
71	2900031	8	Lock Washer, 5/16" Split	110	3200062	1	Hose Clamp #4
72	2900343	3	Hex Nut, M8	111	2501384	1	Air Cleaner Complete
73	2700746	1	Muffler		2501386	1	(Outer Primary Element)
74	2700747	1	Rain Cap		2501387	1	(Inner Safety Element)
75	2700748	2	Muffler Clamp with Hex Nuts		2500239	1	(Rubber Dust Ejector Boot)
75A	2900141	4	Hex Nut, 5/16"-18	112	2501388	1	Pre-Cleaner with Clamp
76	6013102	1	Exhaust Support Plate	112A	3200197	1	Hose Clamp #52
77	2900014	2	Flat Washer, 3/8" SAE	113	2500423	1	Restriction Indicator
78	6010584	1	Pointer Stop Assembly (Includes #79 - #88)	114	3200117	1	Close Nipple, 1/8" NPT
79	6010583	1	Pointer Stop	115	2501385	1	Mounting Band
80	2500573	3	Plug, 1" Square Tube	116	6010325	1	Air Cleaner Spacer
81	2900294	2	Capscrew, Hex Hd., 1/4"-20 x 2"	117	2900538	1	Capscrew, Hex Hd., 5/16"-18 x 1-3/4"
82	2900083	2	Fender Washer, 1/4" x 1-1/4"	118	2900022	3	Flat Washer, 5/16" SAE
83	2900009	2	Flat Washer, 1/4" SAE	119	2900039	3	Lock Nut, 5/16"-18 Nylon
84	2900010	2	Lock Nut, 1/4" Nylon	120	2900508	1	Capscrew, Hex Hd., 5/16"-18 x 1-1/2"
85	2501093	1	Bumper 1"	121	2900217	1	Capscrew, Hex Hd., 5/16"-18 x 1-1/4"
86	2900172	1	Machine Screw, Round Hd., #10-24 x 1-1/4"	122	2900360	1	Capscrew, Hex Hd., M8 x 25mm
87	2900016	1	Flat Washer, #10 USS	123	2501434	1	Hose Clamp, 1/2" Dia. x 3/4" Wide
88	2900017	3	Lock Nut, #10-24 Nylon	124	2500376	1	Vernier Throttle Cable
89	6013029	1	Throttle Arm	125	2900481	1	Eyebolt, M12 x 6"
90	2900310	4	Capscrew, Hex Hd., M6 x 20mm	126	2900482	1	Hex Nut, M12
91	2900024	2	Lock Washer, 1/4" Split	127	2900084	1	Lock Washer, 1/2" Split
92	6048212	1	Pivot Pin	128	4600117	1	Spacer, 2-1/4" Long
93	2900034	1	Cotter Pin, 3/32" x 3/4"				



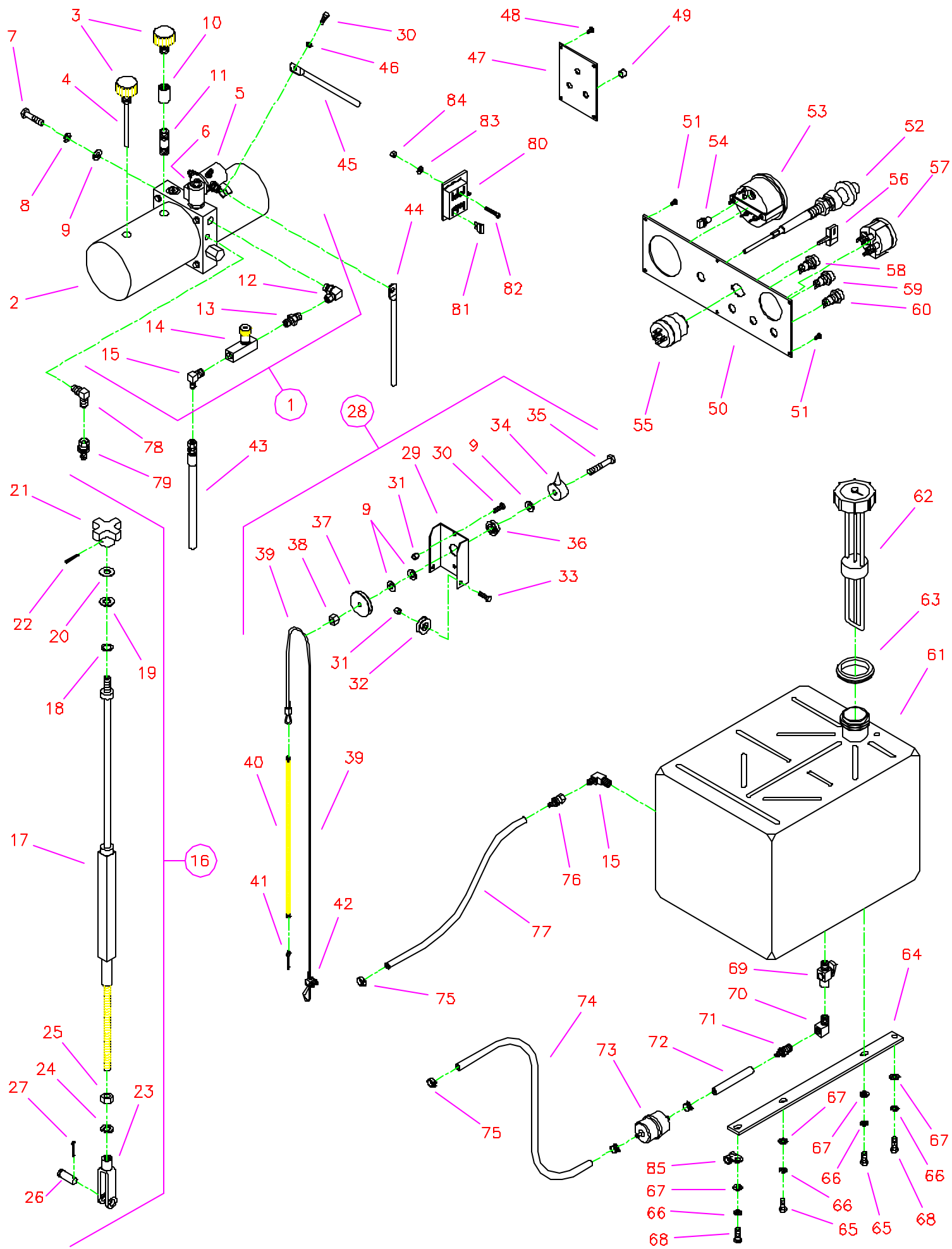
CC6560XL Parts List
Drawing 4
Sundstrand Transmission Group

Diagram Number	Part No.	Qty. Req.	Description	Diagram Number	Part No.	Qty. Req.	Description
1	6010317	1	Speed Control Lever Assembly (Includes #2 - #11)	32	2600085	1	Transaxle Gearbox Only
				33	2700357	1	Oil Reservoir Only
2	6010315	1	Speed Control Lever Only	34	6010127	1	Transmission Sprocket, 19 Tooth
3	2501280	1	Control Grip Body	35	2900142	4	Setscrew, Soc. Hd., 5/16"-18 x 3/8"
4	2501281	1	Control Grip Cover	36	6010169	1	Key, 1/4" Sq. x 1-1/4"
5	2500644	1	Plug, Rectangular	37	6010130	1	#50 Chain, 50 Pitch
6	2900452	1	Machine Screw, Oval Head, #4 x 5/8"	38	6011037	1	Transmission Pulley
7	2800372	1	Pushbutton Switch, Raise	39	6010170	1	Key, 3/16" Sq. x 1"
8	2800373	1	Pushbutton Switch, Lower	40	2501290	1	V-Belt, 4L-290
9	2500694	2	Plug, 5/8" Hole	41	2500519	1	Cooling Fan, 7"
10	2900453	1	Setscrew, Soc. Hd., M5 x 12mm	42	2900448	4	Machine Screw, Hex Hd., #10-32 x 1/2"
11	2800393	1	Wiring Harness, Hydraulic Pump				
12	2900047	3	Capscrew, Hex Hd., 3/8"-16 x 1-3/4"	43	2900038	4	Lock Washer, #10 Split
13	2900014	8	Flat Washer, 3/8" SAE	44	6010118	1	Transmission Platform Weldment
14	2900153	2	Friction Washer, 3/8"	45	2900139	1	Capscrew, Hex Hd., 1/2"-13 x 1-3/4"
15	6010055	2	Friction Spacer	46	2900127	1	Flat Washer, 1/2" USS
16	2900018	10	Lock Nut, 3/8"-16 Nylon	47	2900058	2	Flat Washer, 1/2" SAE
17	6010122	1	Lever Support Weldment	48	2900026	2	Lock Nut, 1/2"-13 Nylon
18	2900144	6	Capscrew, Hex Hd., 1/4"-20 x 3/4"	49	2900160	4	Capscrew, Hex Hd., 3/8"-16 x 4"
19	2900010	8	Lock Nut, 1/4"-20 Nylon	50	6010120	1	Chain Tensioning Bracket
20	2500152	4	Rod End, 3/8"-24	51	2900140	1	Setscrew, Sq. Hd., 5/16"-18 x 1-1/2"
21	2900006	4	Lock Washer, 3/8" Split	52	2900141	1	Hex Nut, 5/16"-18
22	2900148	4	Hex Nut, 3/8"-24	53	2900542	1	Tap Bolt, Hex Hd., 1/2"-13 x 3-1/2"
23	6010167	1	Rod, 3/8"-24 x 2-1/4"	54	6010101	2	Edge Trim
24	2500007	2	Set Collar, 1/2"	55	6010166	2	Gate Cover Bar
25	6010123	1	Linkage Lever	56	2900596	1	Capscrew, Hex Hd., 3/8"-16 x 2-1/2"
26	6010168	1	Rod, 3/8"-24 x 9-3/4"	57	6030126	1	Linkage Spacer, 1"
27	2900029	1	Capscrew, Hex Hd., 3/8"-16 x 1-1/2"	58	2501339	1	Rubber Support Mount
28	6010129	1	Shift Lever	59	2900008	2	Capscrew, Hex Hd., 1/4"-20 x 1"
29	2900429	1	Setscrew, Soc. Hd., 5/16"-24 x 1/2"	60	2900472	1	Capscrew, Hex Flange Hd., 3/8"-16 x 2"
30	2600021	1	Hydrostatic Transaxle Assembly (Includes #31 - #33)	61	2900474	4	Belleville Washer, 3/8"
				62	2900473	1	Flat Washer, 3/8" USS
31	2600033	1	Hydrostatic Transmission Only				



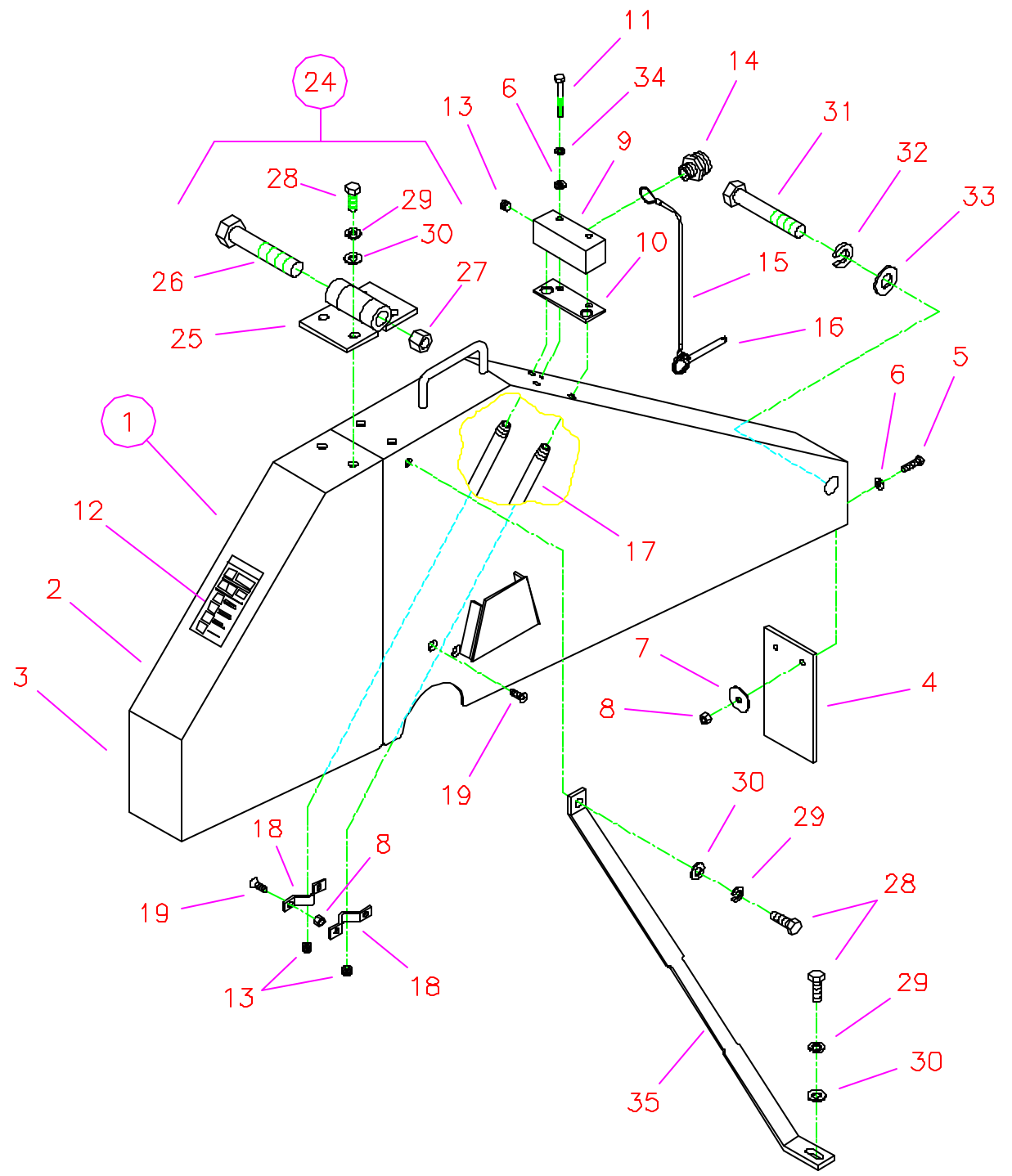
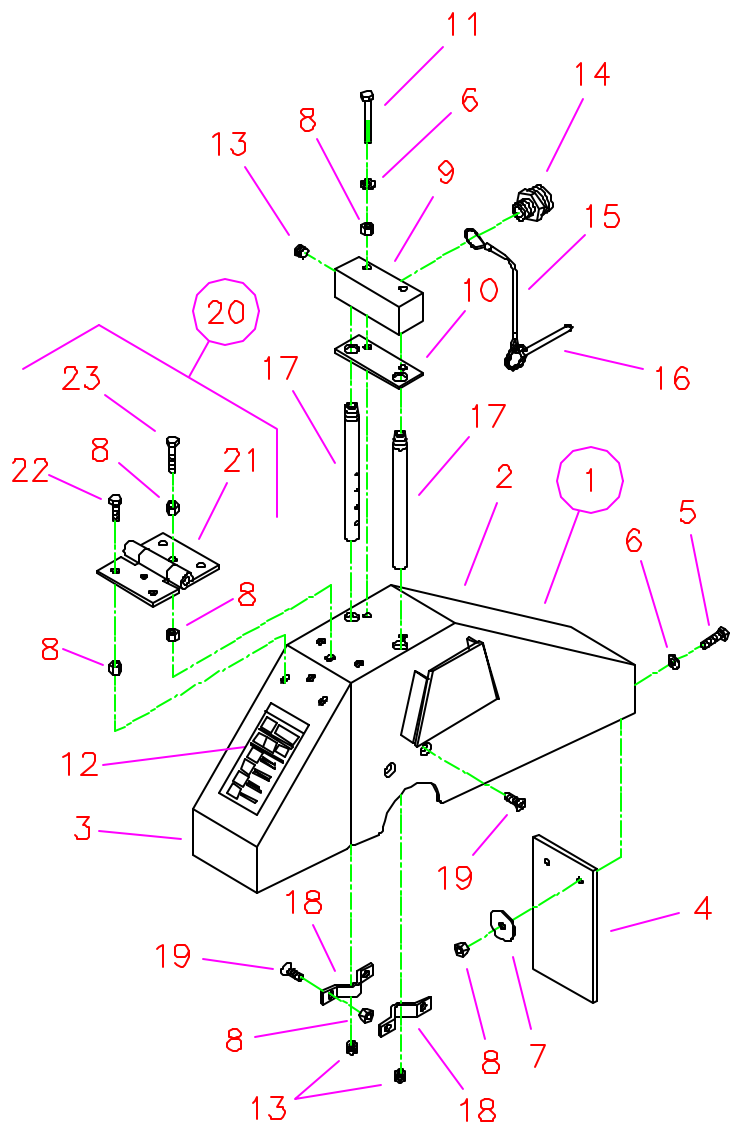
CC6560XL Parts List
Drawing 5
Eaton Transmission Group

Diagram Number	Part No.	Qty. Req.	Description	Diagram Number	Part No.	Qty. Req.	Description
1	6010316	1	Speed Control Lever Assembly (Includes #2 - #11)	38	2900058	5	Flat Washer, 1/2" SAE
				39	2900026	4	Lock Nut, 1/2"-13 Nylon
2	6010314	1	Speed Control Lever Only	40	2500152	6	Rod End, 3/8"-24
3	2501280	1	Control Grip Body	41	2900148	6	Hex Nut, 3/8"-24
4	2501281	1	Control Grip Cover	42	6010065	2	Rod, 3/8"-24 x 3-1/2"
5	2500644	1	Plug, Rectangular	43	6010067	1	Bell Crank
6	2900452	1	Machine Screw, Oval Head, #4 x 5/8"	44	6010066	1	Rod, 3/8"-24 x 7"
7	2800372	1	Pushbutton Switch, Raise	45	2900006	11	Lock Washer, 3/8" Split
8	2800373	1	Pushbutton Switch, Lower	46	6010101	2	Edge Trim
9	2500694	2	Plug, 5/8" Hole	47	6010068	1	Transmission Platform Weldment
10	2900453	1	Setscrew, Soc. Hd., M5 x 12mm	48	2900140	1	Setscrew, Sq. Hd., 5/16"-18 x 1-1/2"
11	2800393	1	Wiring Harness, Hydraulic Pump	49	2900141	1	Hex Nut, 5/16"-18
12	2900047	1	Capscrew, Hex Hd., 3/8"-16 x 1-3/4"	50	2500150	1	Sprocket, 11 Tooth with Setscrew
13	2900014	18	Flat Washer, 3/8" SAE	50A	2900101	1	Setscrew, Soc. Hd., 1/4"-20 x 3/8"
14	2900153	5	Friction Washer, 3/8"	51	2900063	1	Woodruff Key #5, 1/8" Wide x 5/8" Dia.
15	6010055	1	Friction Spacer	52	6010069	1	#40 Chain, 56 Pitch
16	2900018	13	Lock Nut, 3/8"-16 Nylon	53	2500148	1	Sprocket, 45 Tooth
17	6010056	1	Lever Support Weldment	54	2500149	1	Sprocket Bushing with Fasteners
18	2900144	6	Capscrew, Hex Hd., 1/4"-20 x 3/4"	54A	2900056	1	Setscrew, Soc. Hd., 1/4"-20 x 1/4"
19	2900010	8	Lock Nut, 1/4"-20 Nylon	54B	REF	3	Tap Bolt, Hex Hd., 1/4"-20 x 1-3/8"
20	6010057	1	Engagement Lever Weldment	54C	2900024	3	Lock Washer, 1/4" Split
21	2500002	1	Hand Grip	55	6013101	1	Transmission Jackshaft, 11 Tooth
22	2900029	7	Capscrew, Hex Hd., 3/8"-16 x 1-1/2"	56	6048229	1	Key, 3/16" Sq. x 1-1/4"
23	6010058	1	Gate Plate	57	2500159	2	Pillow Block Bearing, 3/4"
24	2600068	1	Hydrostatic Transmission	58	2900005	4	Capscrew, Hex Hd., 3/8"-16 x 1"
25	6010059	1	Return Hose, 3/8" I.D. x 19" Long	59	2900033	1	Hex Nut, 3/8"-16
26	3200062	1	Hose Clamp #4	60	2500519	1	Cooling Fan, 7"
27	3200046	2	Fitting, 3/8" Female JIC to 3/8" Push Lock	61	2900448	4	Machine Screw, Hex Hd. #10-32 x 1/2"
28	6010060	1	Oil Recirculation Hose, 3/8" I.D. x 9"	62	2900038	4	Lock Washer, #10 Split
29	6010061	1	Transmission Pulley	63	2900542	1	Tap Bolt, Hex Hd., 1/2"-13 x 3-1/2"
30	2900142	2	Setscrew, Soc. Hd., 5/16"-18 x 3/8"	64	6010166	1	Gate Cover Bar
31	2900143	1	Woodruff Key #61, 3/16" Wide x 5/8" Dia.	65	2501339	1	Rubber Support Mount
32	2501217	1	V-Belt, 4L-380	66	2900008	2	Capscrew, Hex Hd., 1/4"-20 x 1"
33	6010027	1	Mount Foot, Right Hand	67	2900472	1	Capscrew, Hex Flange Hd., 3/8"-16 x 2"
34	2900106	2	Capscrew, Hex Hd., 1/2"-13 x 2"	68	2900474	4	Belleville Washer, 3/8"
35	6010028	1	Mount Foot, Left Hand	69	2900473	1	Flat Washer, 3/8" USS
36	2900035	4	Capscrew, Hex Hd., 3/8"-16 x 3"				
37	6010064	1	Shift Lever				



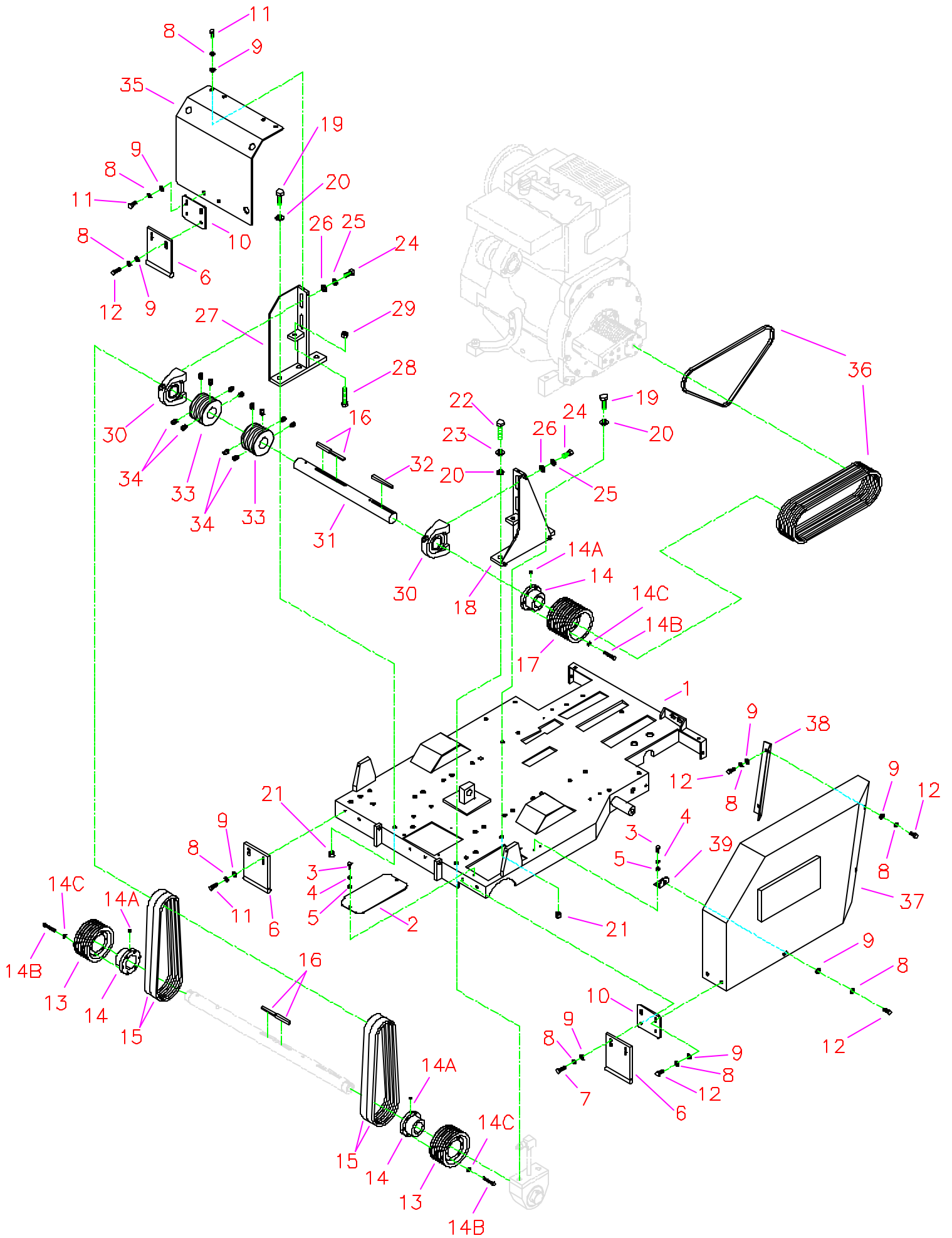
CC6560XL Parts List
Drawing 6
Controls Group

Diagram Number	Part No.	Qty. Req.	Description	Diagram Number	Part No.	Qty. Req.	Description
1	6010213	1	Hydraulic Pump Assy. (Includes #2 - #15)	45	2800182	1	Negative Ground Cable (Black)
2	2600070	1	Hydraulic Pump Unit (Includes #3 - #6)	46	2900024	1	Lock Washer, 1/4" Split
3	2700321	2	Breather Cap, 3/8" NPT	47	6010098	1	Switch Plate
4	2701815	1	Dipstick	48	2900445	6	Tapscrew, Flat Hd., #10-24 x 1/2"
5	2700169	1	Solenoid, Motor	49	2500204	3	Plug, 1/2" Hole
6	2700243	1	Valve Coil	50	6013093	1	Gauge Panel
	2700244	1	Valve Stem		1800348	1	Gauge Panel Decal
7	2900047	2	Capscrew, Hex Hd., 3/8"-16 x 1-3/4"	51	2900021	4	Tapscrew, Pan Hd., #10-24 x 3/8"
8	2900006	2	Lock Washer, 3/8" Split	52	2500376	1	Vernier Throttle Cable
9	2900014	5	Flat Washer, 3/8" SAE	53	2800168	1	Blade Shaft Tach/Hour Meter
10	3200120	1	Pipe Coupling, 3/8" NPT	54	2800267	1	Light, Wedge Base
11	3200123	1	Pipe Nipple, 3/8" NPT x 2"	55	2700783	1	Ignition Switch with Key
12	3200115	1	Elbow, 3/8" O-Ring to 1/4" Female Pipe	56	2701261	1	Ignition Key Only
13	3200060	1	Hex Nipple, 1/4" NPT	57	2700784	1	Engine Temperature Gauge
14	3200056	1	Flow Control Valve, 1/4" NPT	58	2700786	1	Oil Pressure Light (Green)
15	3200057	2	Elbow, 1/4" Male Pipe to 1/4" Male JIC		2700923	1	(Bulb Only)
16	6010215	1	Depth Stop Assembly (Includes #17 - #27)	59	2700787	1	Oil Temperature Light (Red)
17	6010097	1	Depth Stop Weldment		2700923	1	(Bulb Only)
18	2900133	1	Wave Washer	60	2700785	1	Alternator Light (Orange)
19	2900058	1	Flat Washer, 1/2" SAE		2700923	1	(Bulb Only)
20	2900239	1	Friction Washer, 1/2"	61	2500650	1	Fuel Tank, 9 Gallon
21	6010095	1	Depth Stop Knob	62	2500649	1	Fuel Tank Cap with Gauge
22	2900132	1	Roll Pin, 3/16" x 1-1/4"	63	2500205	1	Fuel Tank Grommet
23	2900158	1	Yoke, 1/2"-13	64	6010257	2	Fuel Tank Mount Bar
24	2900084	1	Lock Washer, 1/2" Split	65	2900019	4	Capscrew, Hex Hd., 5/16"-18 x 3/4"
25	2900037	1	Hex Nut, 1/2"-13	66	2900031	8	Lock Washer, 5/16" Split
26	2900007	1	Clevis Pin, 1/2" Dia. x 1-3/8"	67	2900022	8	Flat Washer, 5/16" SAE
27	2900004	1	Cotter Pin, 1/8" x 1"	68	2900138	4	Capscrew, Hex Hd., 5/16"-18 x 1"
28	6010214	1	Depth Indicator Assembly (Includes #9, #29 - #42)	69	3200108	1	Fuel Shut-off Valve
				70	3200012	1	Street Elbow, 1/4" NPT
29	6010092	1	Depth Indicator Mount Bracket	71	3200202	1	Fitting, 1/4" Male Pipe to 5/16" Push Lock
30	2900144	3	Capscrew, Hex Hd., 1/4"-20 x 3/4"	72	6013095	1	Fuel Line Hose, 5/16" I.D. x 4" Long
31	2900010	4	Lock Nut, 1/4"-20 Nylon	73	2500474	1	Fuel Filter, 5/16" with Clamps
32	2500155	2	Cable Pulley, 1-1/4"	74	6013096	1	Fuel Line Hose, 5/16" I.D. x 28" Long
33	2900008	2	Capscrew, Hex Hd., 1/4"-20 x 1"	75	3200062	2	Hose Clamp #4
34	6010091	1	Depth Indicator Pointer	76	3200091	1	Fitting, 1/4" Female JIC to 1/4" Push Lock
35	2900079	1	Capscrew, Hex Hd., 3/8"-16 x 2-1/4"	77	6010103	1	Fuel Line Hose, 1/4" I.D. x 28" Long
36	2500145	1	Flange Bearing, 3/8"	78	3200116	1	Elbow, 1/4" O-Ring to 3/8" Male JIC
37	6010093	1	Cable Pulley, 2"	79	3200046	1	Fitting, 3/8" Female JIC to 3/8" Push Lock
38	2900018	1	Lock Nut, 3/8"-16 Nylon	80	2800388	1	Fuse Panel, 6 Circuit
39	6010094	1	Depth Indicator Cable with Crimp, 48"	81	2800389	6	Fuse, 10 Amp Red ATO/ATC
40	2500196	1	Spring, 3/8" x 15"	82	2900451	2	Capscrew, Soc. Hd., #10-24 x 1-1/4"
41	2900055	1	Cotter Pin, 3/16" x 1"	83	2900016	2	Flat Washer, #10 USS
42	2500214	1	Cable Clamp	84	2900017	2	Lock Nut, #10-24 Nylon
43	3200054	1	Hydraulic Hose Assembly, 32" Long	85	2501434	1	Hose Clamp, 1/2" Dia. x 3/4" Wide
44	2800095	1	Solenoid Cable (Red)				



CC6560XL Parts List
Drawing 7
Blade Guard Assembly

Diagram Number	Part No.	Qty. Req.	Description	Diagram Number	Part No.	Qty. Req.	Description
1	6010600	1	14" Blade Guard Assembly (Includes #2 - #23)	15	2900278	1	Lanyard with Lock Pin for 14" & 20" Blade Guards
	6010602	1	20" Blade Guard Assembly (Includes #2 - #22)		2900279	1	Lanyard with Lock Pin for 26" & 30" Blade Guards
	6010604	1	26" Blade Guard Assembly (Includes #2 - #19, #24, #34)		2900280	1	Lanyard with Lock Pin for 36" Blade Guard
	6010606	1	30" Blade Guard Assembly (Includes #2 - #19, #24, #34)	16	2900156	1	Lock Pin Only
	6010608	1	36" Blade Guard Assembly (Includes #2 - #19, #24 - #34)	17	6048283	2	Water Tube for 14" Blade Guard
2	6010601	1	14" Blade Guard Front & Rear Only		6010085	2	Water Tube for 20" Blade Guard
	6010603	1	20" Blade Guard Front & Rear Only		6010086	2	Water Tube for 26" Blade Guard
	6010605	1	26" Blade Guard Front & Rear Only	18	6048155	2	Water Tube for 30" Blade Guard
	6010607	1	30" Blade Guard Front & Rear Only	19	2900020	4	Water Tube for 36" Blade Guard
	6010609	1	36" Blade Guard Front & Rear Only	20	6048150	1	Water Tube Clamp
3	6010304	1	14" Blade Guard Front Only				Capscrew, Flat Hd., 1/4"-20 x 3/4"
	6010305	1	20" Blade Guard Front Only		6010251	1	Hinge Assembly for 14" Blade Guard (Includes #8, #21 - #23)
	6010306	1	26" Blade Guard Front Only				Hinge Assembly for 20" Blade Guard (Includes #8, #21, #22)
	6010307	1	30" Blade Guard Front Only	21	2500270	1	Hinge Only
	6010308	1	36" Blade Guard Front Only	22	2900144	6	Capscrew, Hex Hd., 1/4"-20 x 3/4"
4	6010081	1	Splash Flap	23	2900052	1	Capscrew, Hex Hd., 1/4"-20 x 1-1/4"
5	2900008	2	Capscrew, Hex Hd., 1/4"-20 x 1"	24	6010560	1	Hinge Assembly for 26"-36" Blade Guards (Includes #25 - #30)
6	2900009	4	Flat Washer, 1/4" SAE				
7	2900083	2	Fender Washer, 1/4" x 1-1/4"	25	6010549	1	Hinge Only
8	2900010	15	Lock Nut, 1/4"-20 Nylon	26	2900479	1	Capscrew, Hex Hd., 3/4"-10 x 4"
9	6010261	1	Manifold for 14" - 30" Blade Guards	27	2900467	1	Lock Nut, 3/4"-10 Nylon
	6010264	1	Manifold for 36" Blade Guard	28	2900005	6	Capscrew, Hex Hd., 3/8"-16 x 1"
10	2500830	1	Manifold Gasket	29	2900006	6	Lock Washer, 3/8" Split
11	2900294	2	Capscrew, Hex Hd., 1/4"-20 x 2"	30	2900014	6	Flat Washer, 3/8" SAE
12	1800001	1	Warning Label	31	2900291	1	Capscrew, Hex Hd., 5/8"-18 x 4"
13	3200001	3	Pipe Plug, 1/8" NPT	32	2900113	1	Lock Washer, 5/8" Split
14	3200002	1	Fitting, 3/4" Male Garden Hose to 3/8" Male Pipe	33	2900002	1	Flat Washer, 5/8" SAE
				34	2900024	2	Lock Washer, 1/4" Split
				35	6010511	1	Blade Guard Brace for 30" & 36"



CC6560XLJ Parts List
Drawing 8
Jackshaft Group

Diagram Number	Part No.	Qty. Req.	Description	Diagram Number	Part No.	Qty. Req.	Description
1	6010599	1	Frame Base	19	2900147	4	Capscrew, Hex Hd., 5/8"-11 x 1-3/4"
2	6010585	1	Sheave Cover Plate	20	2900002	6	Flat Washer, 5/8" SAE
3	2900019	4	Capscrew, Hex Hd., 5/16"-18 x 3/4"	21	2900135	4	Lock Nut, 5/8"-11 Nylon
4	2900031	4	Lock Washer, 5/16" Split	22	2900527	2	Capscrew, Hex Hd., 5/8"-11 x 2-1/2"
5	2900022	4	Flat Washer, 5/16" SAE	23	2900113	2	Lock Washer, 5/8" Split
6	6010548	3	Skid Plate	24	2900025	4	Capscrew, Hex Hd., 1/2"-13 x 1-1/4"
7	2900013	2	Capscrew, Hex Hd., 3/8"-16 x 1-1/4"	25	2900084	4	Lock Washer, 1/2" Split
8	2900006	17	Lock Washer, 3/8" Split	26	2900058	4	Flat Washer, 1/2" SAE
9	2900014	17	Flat Washer, 3/8" SAE	27	6010567	1	Jackshaft Mount R.H.
10	6010572	2	Guard Attachment Plate	28	2900541	2	Tap Bolt, Hex Hd., 1/2"-13 x 2-3/4"
11	2900196	6	Capscrew, Hex Hd., 3/8"-16 x 3/4"	29	2900129	1	Jam Nut, 1/2"-13
12	2900005	9	Capscrew, Hex Hd., 3/8"-16 x 1"	30	2501149	2	Pillow Block Bearing, 1-3/4"
13	2501438	2	Sheave, 5.60-6 Groove QD Style	31	6010569	1	Jackshaft
14	2500176	3	Bushing, 1-3/4" QD with Fasteners	32	4645006	1	Key, 3/8" Sq. x 4"
14A	2900056	3	Setscrew, Soc. Hd., 1/4"-20 x 1/4"	33	6011010	2	Sheave, 4.12-6 Groove x 1-3/4" Bore
14B	2900289	9	Capscrew, Hex Hd., 5/16"-18 x 2-1/4"	34	2900418	12	Setscrew, Soc. Hd., 5/16"-18 x 5/8"
14C	2900031	9	Lock Washer, 5/16" Split	35	6010570	1	Jackshaft Guard
15	2501437	4	Banded Belt, 3/3VX425-3 Strand	36	2500037	11	V-Belt, 3VX375
16	6011058	4	Key, 3/8" Sq. x 2-3/4"	37	6010571	1	Belt Guard
17	2500516	1	Sheave, 5.30-10 Groove QD Style	38	6010556	1	Belt Guard Mounting Bracket 60°
18	6010566	1	Jackshaft Mount L.H.	39	6010558	1	Guard Mounting Tab 90°

CC6560XL Parts List
Drawing 9
Wiring Diagram

Diagram Number	Part No.	Qty. Req.	Description	Diagram Number	Part No.	Qty. Req.	Description
1	2800396	1	Control Panel Harness	23	2800387	1	Circuit Breaker, 25 Amp
2	2800429	1	Engine Harness (Includes #31 & #32)		2800364	1	Circuit Breaker Boot, Red
3	2800397	1	Tach Sensor Harness (Includes #29 & #30)	24	2800144	1	Relay
4	2800392	1	Relay Harness		2800263	1	Relay Connector
5	2800393	1	Hydraulic Pump Harness		2800264	4	Wire Terminal, 1/4" Push-on
6	2800073	1	Battery Cable, Positive (Red)	25	2800213	1	Emergency Stop Button
7	2800072	1	Battery Cable, Negative (Black)		2800299	1	Contact Block N.C.
8	2800095	1	Solenoid Cable, Positive (Red)	26	2800388	1	Fuse Panel, 6 Circuit
9	2800182	1	Ground Cable, Negative (Black)		2800389	6	Fuse, 10 Amp Red ATO/ATC
10	2700208	1	Battery, 12 Volt	27	2800168	1	Tach/Hour Meter
11	2600070	1	Hydraulic Pump Unit (Includes #12 & #13)		2800267	1	Light Bulb, Wedge Base
12	2700169	1	Solenoid, Motor	28	2800169	1	Magnetic Sensor (Includes #29)
13	2700243	1	Valve Coil	29	2800145	2	Connector, 2 Wire Shroud
	2700244	1	Valve Stem		2800114	4	Male Terminal, 14/16 Gage Wire
14	2800372	1	Pushbutton Switch, Raise		2800174	4	Cable Seal, Gray
15	2800373	1	Pushbutton Switch, Lower	30	2800146	2	Connector, 2 Wire Tower
16	2701821	1	Starting Motor (Includes #17)		2800115	4	Female Terminal, 14/16 Gage Wire
17	2701823	1	Solenoid Switch		2800174	4	Cable Seal, Gray
18	2700784	1	Engine Temperature Gauge	31	2800145	1	Connector, 2 Wire Shroud
19	2700785	1	Alternator Light (Orange)		2800114	1	Male Terminal, 14/16 Gage Wire
	2700923	1	(Bulb Only)		2800112	1	Male Terminal, 12 Gage Wire
20	2700786	1	Oil Pressure Light (Green)		2800174	1	Cable Seal, Gray
	2700923	1	(Bulb Only)		2800175	1	Cable Seal, Blue
21	2700787	1	Oil Temperature Light (Red)	32	2800146	1	Connector, 2 Wire Tower
	2700923	1	(Bulb Only)		2800115	1	Female Terminal, 14/16 Gage Wire
22	2700783	1	Ignition Switch with Key		2800113	1	Female Terminal, 12 Gage Wire
	2701261	1	(Ignition Key Only)		2800174	1	Cable Seal, Gray
					2800175	1	Cable Seal, Blue

**CC6560XL Parts List
Drawing 10
Options Wiring Diagram**

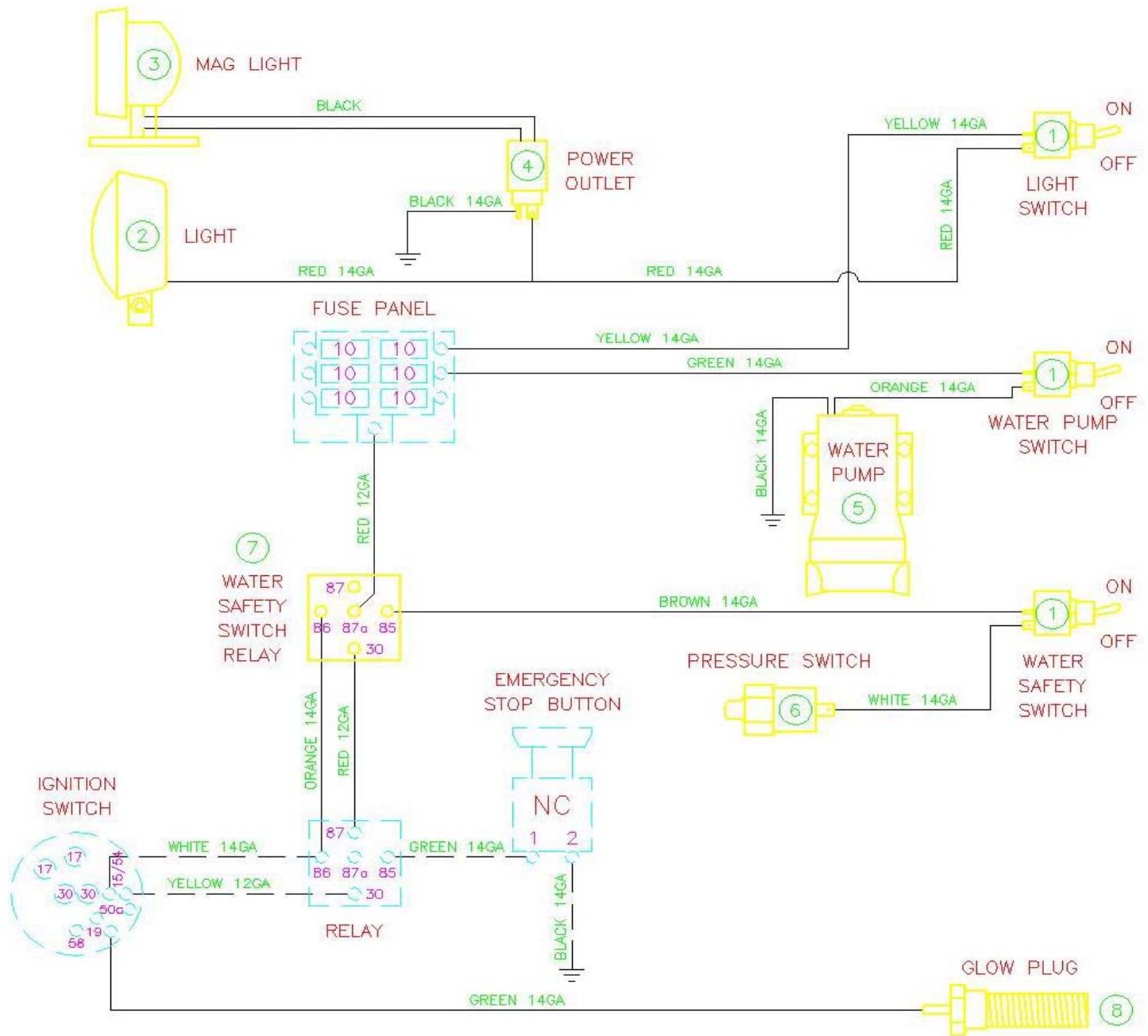


Diagram Number	Part No.	Qty. Req.	Description	Diagram Number	Part No.	Qty. Req.	Description
1	2800062	3	Toggle Switch	5	2600200	1	Water Pump, Diaphragm
	2800063	3	Switch Boot	6	2800060	1	Water Pressure Safety Switch
2	2500194	1	Spot Light, 12 Volt	7	2800144	1	Relay
3	2501087	1	Magnetic Base Light, 12 Volt		2800263	1	Relay Connector
4	2800374	1	Power Outlet, 12 Volt		2800264	4	Wire Terminal, 1/4' Push-on
	2800375	1	Outlet Cap	8	2701698	1	Glow Plug

