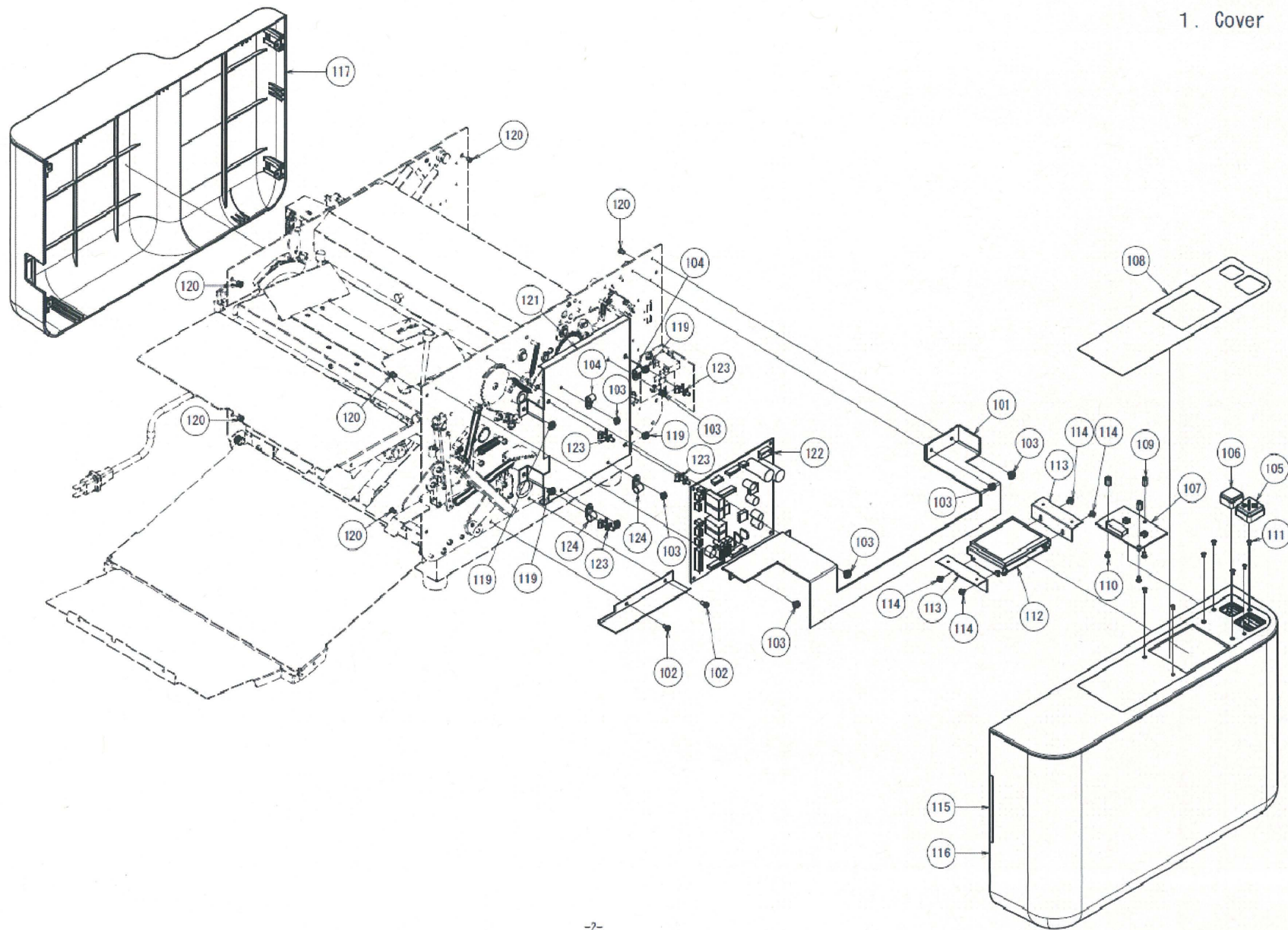
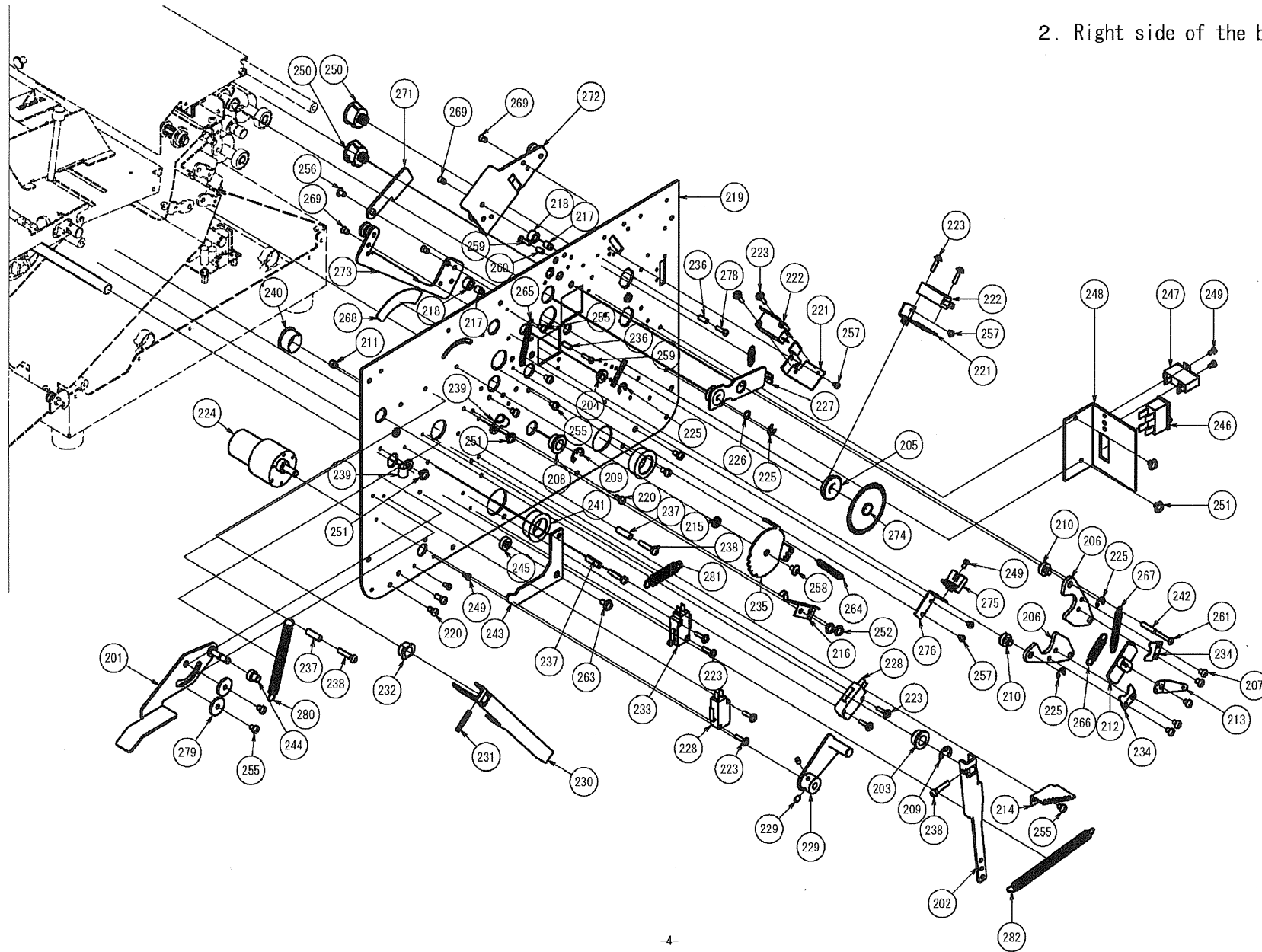


1. Cover



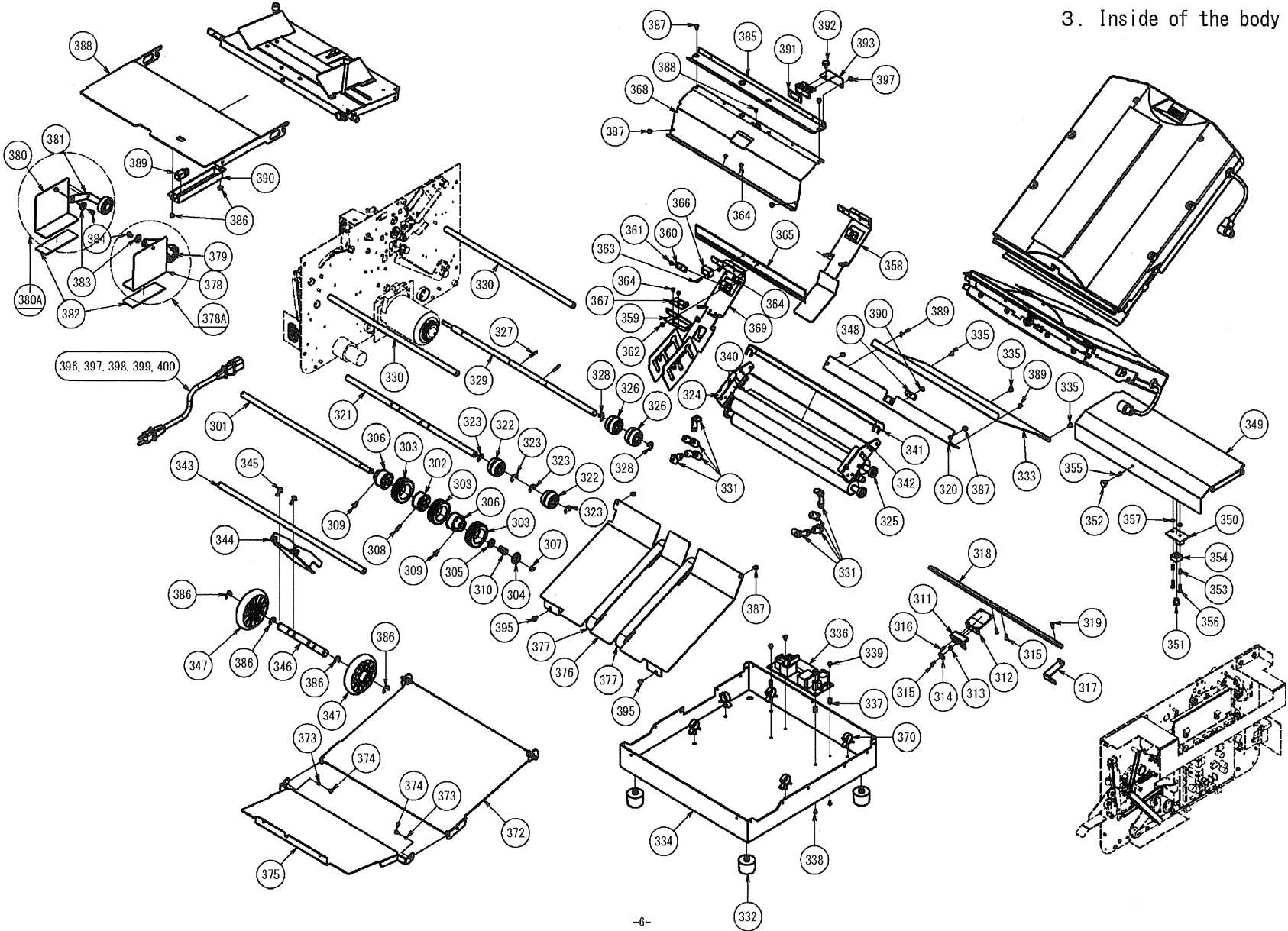
2. Right side of the body



2. Right side of the body

Fig.No.	Parts No.	Parts Name	408A	508A	Remarks	Fig.No.	Parts No.	Parts Name	408A	508A	Remarks
201	3281-0118	Paper feed table lever B	1	0	1201-0110, 1201-0100	251	PNSWPW4 × 6	PNSWPW4 × 6	13	14	
202	0264-0103	Paper feed table lever	1	0		252	PNSWPW4 × 5	PNSWPW4 × 5	8	10	
203	0020-0140	Φ10metal	2	2		253	missing number				
204	0020-0400	Φ6metal	2	2		254	missing number				
205	1666-2150	Bearing 6900ZZNR	2	2		255	PNSW4 × 6	PNSW4 × 6	21	18	
206	0264-0039	Bearing holder	2	2		256	LO4x6	LO4x6	2	2	
207	PNST4 × 5	PNST4 × 5	4	4		257	PNSW3 × 4	PNSW3 × 4	10	10	
208	0020-0140	Φ10metal	2	2		258	TR4 × 6	TR4 × 6	0	1	
209	ER8	ER8	2	2		259	PN3 × 12	PN3 × 12	3	3	
210	0020-0050	Bearing holder center	4	4		260	1281-0299	CF-307ZE	2	2	
211	0020-0040	Auxiliary table hook center	2	2		261	TR3 × 20	TR3 × 20	2	2	
212	0260-1080	Lift cam	2	2		262	missing number				
213	1666-2400	Lift came return lever	2	2		263	PNSWPW4 × 10	PNSWPW4 × 10	2	1	
214	0020-0750	Spring hook	1	0		264	1281-0112	Separator SP-B	0	1	
215	1666-1901	Separator collar	0	1		265	0020-0410	Separator SP	1	1	
216	0146-1040	Click plate spring	0	1		266	0020-0290	Holder roller SP	1	1	
217	0220-1050	Stopper	5	5		267	0260-1280	Lift return SP	1	1	
218	0220-1140	Stopper rubber	5	5		268	1666-8047	Separator pressure identification plate	0	1	
219	1666-0102	Right side plate	1	1		269	FS4 × 6	FS4 × 6	16	16	
220	PNSW4 × 8	PNSW4 × 8	11	11		270	missing number				
221	1666-0502	Interlock SW mounting tray	1	1		271	1281-0239	Lift cam lever (R)	1	1	
222	7148-0017	Lead μ switch D2RV-L	1	1		272	3666-4110	Table 1 guide (R) Assembly	1	1	1666-4110, 1666-4116*2
223	PNSWPW3 × 14	PNSWPW3 × 14	6	8		273	3666-4117	Table 2 guide (R) Assembly	1	1	1666-4117, 1666-4116*2
224	1666-7104	TP-2732F-KG-250-H00-24	0	1		274	3146-0670	Shutter plate Assembly	1	1	0146-0670, 0146-0660
225	ER5	ER5	4	4		275	0260-7780	KI-1233	1	1	
226	0260-1213	Paper feed adjustment W0.5	2	2		276	1666-3311	Encoder photo mounting plate	1	1	
227	3666-2001	F roller holder	2	2	1000-2001, 0200-7100, 0020-1100	277					
228	0100-3510	D2MV-01L22-1G2	1	1		278	PNSW3 × 12	PNSW3 × 12	2	2	
229	3260-3110	Paper ejection arm Assembly	0	1	0260-3110, 0260-3120, 0260-2240	279	0020-0800	Paper feed table lever presser	2	0	
230	1666-5303	Paper ejection roller lever	0	1		280	1281-0107	Table lever return SP	1	0	
231	SP4 × 22	SP4 × 22	0	1		281	1281-0106	Paper feed stop lever SP	1	0	
232	0145-4170	Sintered metal B-F10-9	0	1		282	0020-0760	Table SP	1	0	
233	0100-3510	D2MV-01L22-1G2	0	1							
234	0260-1100	Bearing strap	2	2							
235	1666-1900	Separator pressure lever	0	1							
236	1333-0353	CF-310ZE	3	3							
237	1263-0041	CF-417ZE	3	0							
238	PNSW4 × 20	PNSW4 × 20	4	0							
239	1262-7204	NK-4N	9	10							
240	0260-7760	One touch bush TB-1520	1	1							
241	0260-9160	TB-1926	4	4							
242	1263-0049	CF-317ZE	2	2							
243	1266-0325	Stop lever	1	0							
244	1281-0109	Table lever guide collar	1	0							
245	0143-0590	Slide top board spacer	1	0							
246	0260-9150	Power switch	1	1							
247	0260-7090	Breaker 2A	1	1							
248	1666-0700	Power switch board	1	1							
249	PNSW3 × 6	PNSW3 × 6	3	6							
250	0020-4100	TCS0839	2	2							

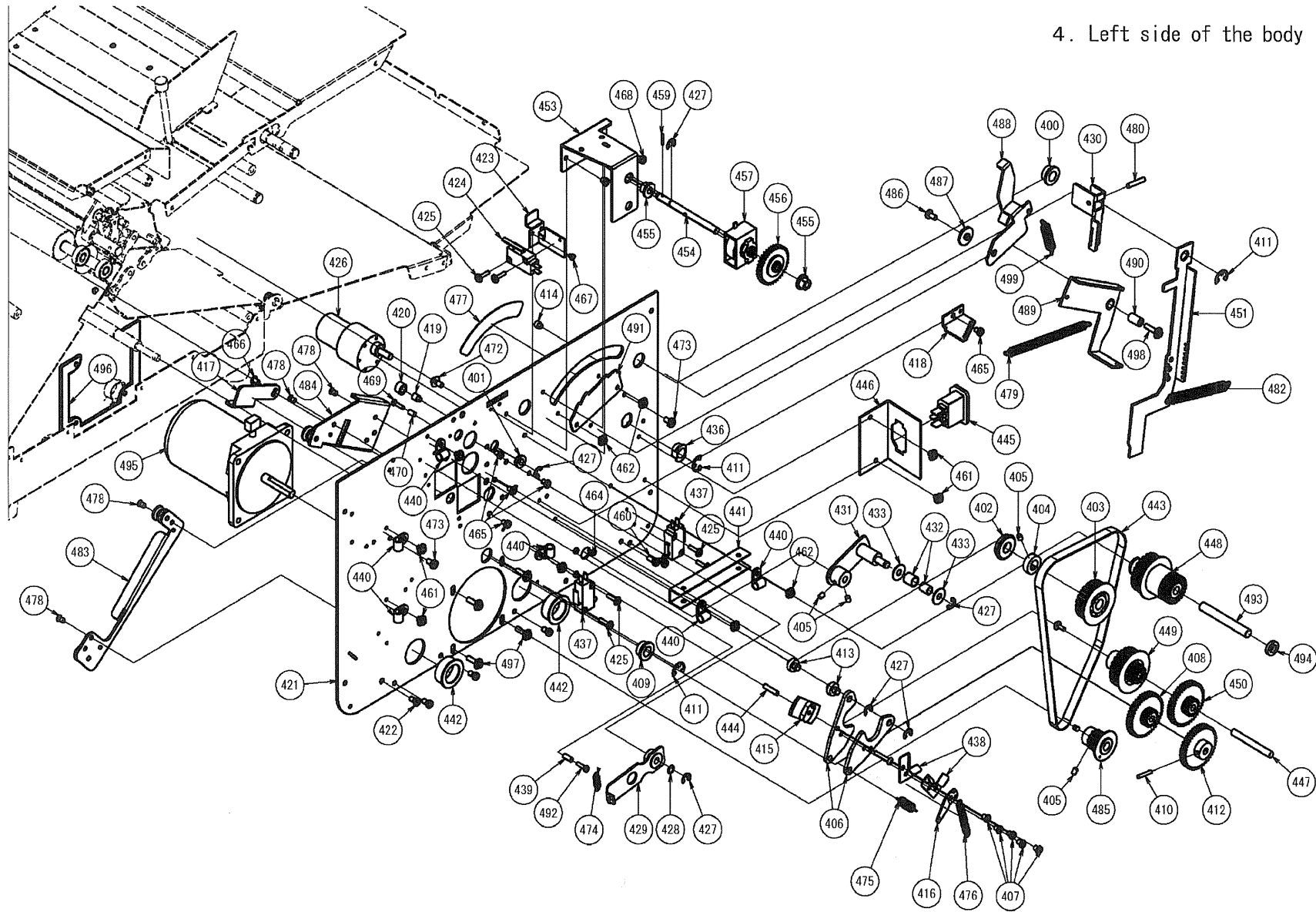
3. Inside of the body



3. Inside of the body

Fig.No.	Parts No.	Parts Name	408A	508A	Remarks	Fig.No.	Parts No.	Parts Name	408A	508A	Remarks
301	0260-2390	Paper feed shaft	1	1		351	1222-6027	80F-0608	1	1	
302	0070-6010	Paper feed rubber holder	1	1		352	0264-0132	Paper ejection tray	1	1	
303	0070-6080	Paper feed rubber roller	3	3		353	1666-0350	CF-308ZE	2	2	
304	0145-2320	Paper feed bearing	1	1		354	1666-0303	Board shading sponge	1	1	
305	0145-2340	Paper feed shaft collar	1	1		355	missing				
306	0260-2070	Auxiliary paper feed holer	2	2		356	PNSW3 × 14	PNSW3 × 14	2	2	
307	ER6	ER6	1	1		357	T1N3	T1N3	2	2	
308	PN3 × 10	PN3 × 10	1	1		358	1666-5300	Upper paper ejection guide A	0	1	
309	PN4 × 8	PN4 × 8	2	2		359	1666-5305	light emitting board tray	1	1	
310	0145-2330	Paper feed shaft SP	1	1		360	0260-9120	KB1242-AA12	1	1	
311	3264-0082	Separator A'ssy	1	1	0070-6040, 0264-0078 0264-0081	361	PNSW3 × 8	PNSW3 × 8	2	2	
312	0264-0077	Separator mounting plate	1	1		362	PNSWPW3 × 4	PNSWPW3 × 4	2	2	
313	1666-6161	CF-402E	1	1		363	PNSW3 × 12	PNSW3 × 12	1	1	
314	1666-6159	FW-0414-08E	1	1		364	PNSW3 × 4	PNSW3 × 4	6	6	
315	FL3 × 10	FL3 × 10	3	3		365	0020-0045	Static eliminator bar	1	1	
316	SP3 × 10	SP3 × 10	1	1		366	7330-5008	KR866	1	1	
317	1666-1700	Separator lever	1	1		367	1666-0400	Double feed light emitting board	1	1	
318	1666-1701	Separator shaft	1	1		368	1666-1500	Lower double feed detection paper guide	1	1	
319	PNSW3 × 10	PNSW3 × 10	1	1		369	1666-5301	Upper paper ejection guide B	1	0	
320	0260-3010	Photo sensor mounting tray	1	1		370	7330-5014	FLC-10S	5	5	
321	0020-0200	Lower paper ejection roller shaft kanigen	1	1		371	missing number				
322	0260-3020	Lower paper ejection roller	2	2		372	1666-5107	Paper ejection table	1	1	
323	ER8	ER8	10	10		373	1666-0250	CF-303ZE	2	2	
324	1666-2120	Center roller	1	1		374	BD3 × 5	BD3 × 5	4	4	
325	3264-0048	Folding roller	2	2		375	1666-5102	Auxiliary paper ejection table	1	1	
326	0260-3020	Lower paper ejection roller	2	2		376	1666-6122	Paper ejection slide plate	1	1	
327	SP3 × 18	SP3 × 18	3	3		377	1666-3151	Paper ejection conveying belt	2	2	
							1666-1930	Auxiliary paper guide set	1	1	
328	missing number					378	1666-1920	Auxiliary paper guide(R)	1	1	
						378A	3666-1920	Auxiliary paper guide(R)ASSY	1	1	378,379,382,383,384
329	1666-3100	Paper ejection roller shaft	1	1		379	0020-2030	Paper holder lever(R)	1	1	0020-1060,1070,1080,4450E
330	0020-1160	Reinforced shaft	2	2		380	1666-1921	Auxiliary paper guide(L)	1	1	
						380A	3666-1921	Auxiliary paper guide(L)ASSY	1	1	380,381,382,383,384
331	0020-2220	Guide mounting angle A	8	8		381	0020-2040	Paper holder lever(L)	1	1	0020-1060,1070,1080,4450E
332	5149-0504	Plafoot TM-127-3	4	4		382	0020-1050	Rubber magnet	2	2	
333	0260-5170	Cover/Rear cover	1	1		383	0020-0340	F roller holder	2	2	
334	1666-0002	Base	1	1		384	PNSW4 × 8	PNSW4 × 8	2	2	
335	LO4x6	LO4x6	3	3		385	1666-1600	Upper double feed detection	1	1	
336	1152-7144	SWF050P-24	1	1		386	T1N4	T1N4	2	2	
337	1666-0950	ASB-310E	4	4		387	PNSW4 × 6	PNSW4 × 6	8	8	
338	PNSW3 × 6	PNSW3 × 6	5	5		388	1666-1410	Auxiliary paper feed table (inch)	1	1	
339	PNSWPW3 × 6	PNSWPW3 × 6	4	4		389	0020-4420	KR1207	1	1	
340	0264-0049	Upper roller	1	1		390	0020-1890	Sensor cover	1	1	
341	1666-2500	Interceptor	1	1		391	3264-0532	Art / Coated Paper separator	0	1	0264-0532, 0078, 0081
342	0020-0330	Interceptor plate	1	1		392	5148-0445	Urea screw M3*8 white	0	1	
343	0260-3070	Roller moving shaft	0	1		393	0264-0522	Separator storage plate	0	1	
344	0260-3080	Paper ejection roller holder	0	1		394	missing				
345	PNSWPW4 × 14	PNSWPW4 × 14	0	2		395	BD4 × 6	BD4 × 6	3	3	
346	0260-3030	Paper ejection U roller shaft	1	1		396	0260-9210	Power cord KP-218	0	0	
347	0020-1170	Paper ejection roller	2	2		397	0072-8060	Power code KP-30 for U.S.A.	1	1	
348	0260-9130	KB1242-AA22	1	1		398	0072-8070	Power code KP-30 for U.S.A.	0	0	
349	1666-0302	Safety cover Assembly	1	1		399	0072-8090	No power code for Britain	0	0	
350	1222-7080	Light receiving board	1	1		400	1100-0001	Power code KP-30 for U.S.A.	0	0	

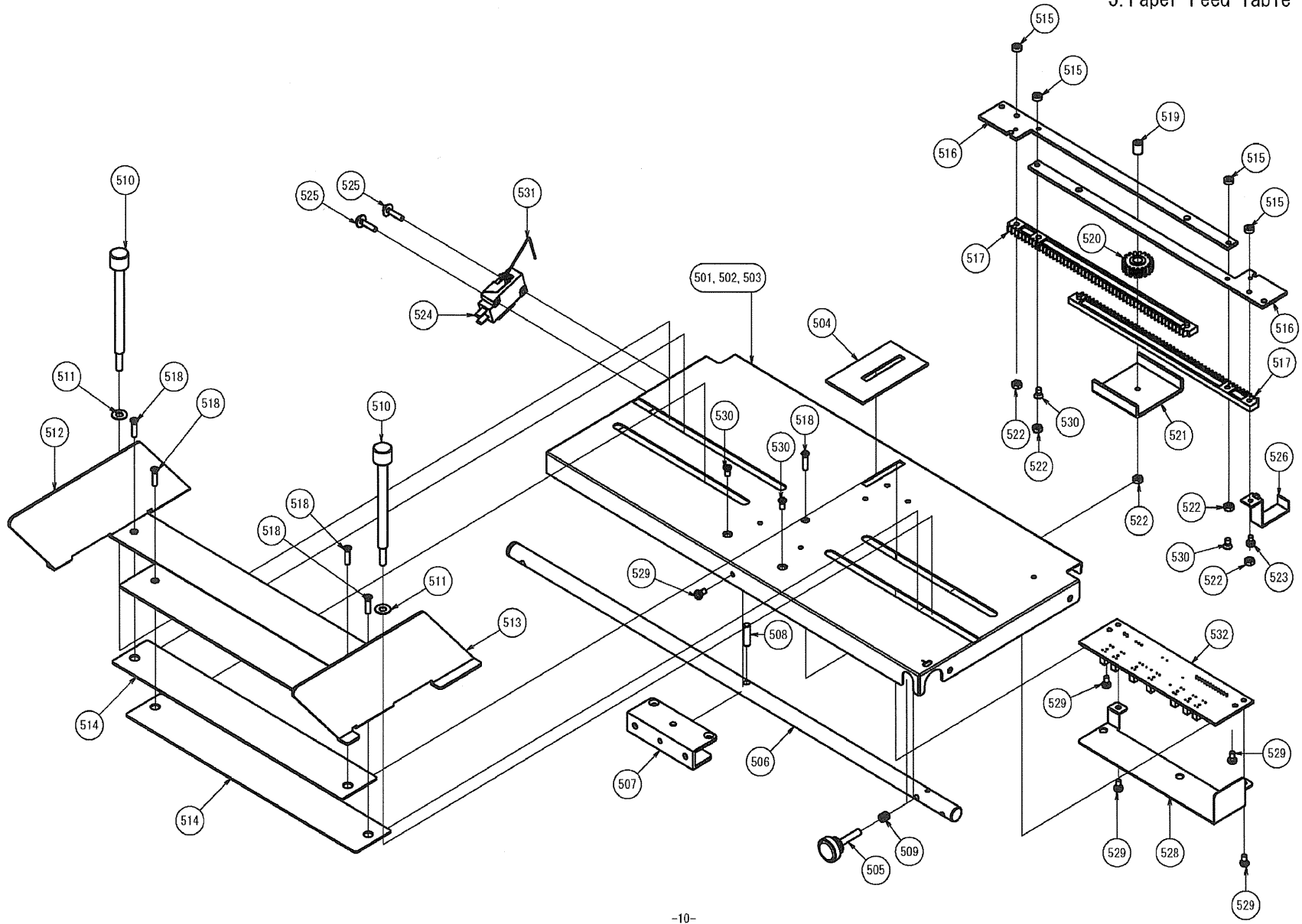
4. Left side of the body



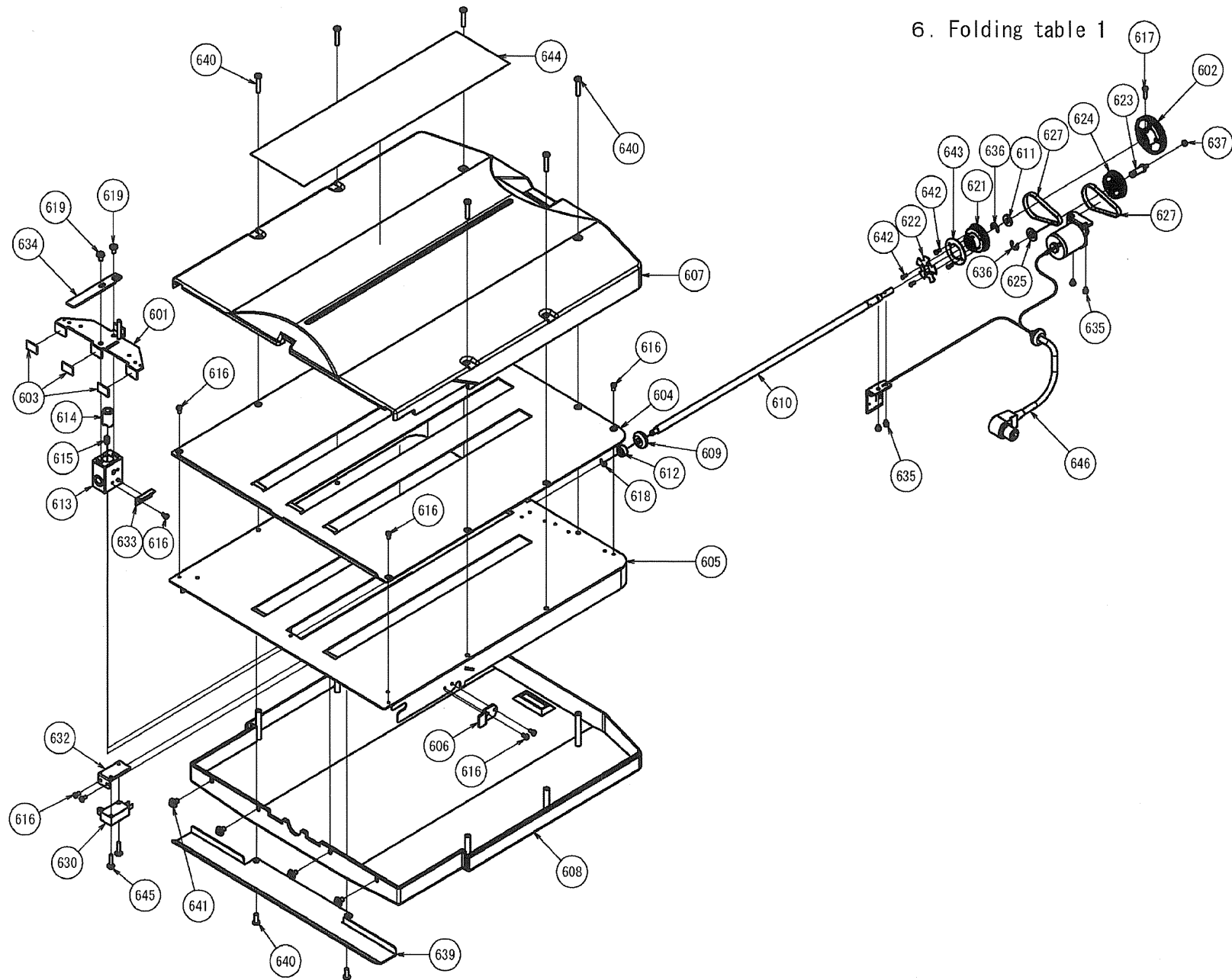
4. Left side of the body

Fig.No.	Parts No.	Parts Name	408A	508A	Remarks	Fig.No.	Parts No.	Parts Name	408A	508A	Remarks
400	0020-0140	Φ10 metal	1	1		450	0020-0180	Speed reduction gear	1	1	
401	0020-0400	Φ6 metal	2	2		451	1666-1301	Table lever	0	1	
402	1666-2150	Bearing 6900ZZNR	2	2		452	missing number				
403	1268-0043	Speed reduction pulley	1	1		453	1666-1800	Clutch holder	1	1	
404	0146-0670	Shutter plate boss	1	1		454	1666-1801	Clutch shaft	1	1	
405	HS4x6	HS4x6	3	5		455	0145-4140	Sintered metal B-F6-45	2	2	
406	0264-0039	Bearing holder	2	2		456	0260-2050	Paper feed gear	1	1	
407	PNST4×5	PNST4×5	4	4		457	5149-0001	MGSCO-33J-CW-3343	1	1	
408	0020-0180	Speed reduction gear	1	1		458	missing number				
409	0020-0140	Φ10 metal	2	2		459	1271-0127	PP2×12	1	1	
410	SP3×18	SP3×18	3	3		460	PNSW4×10	PNSW4×10	2	2	
411	ER8	ER8	2	3		461	PNSWPW4×6	PNSWPW4×6	14	14	
412	0020-0170	Paper ejection roller gear	1	1		462	PNSWPW4×5	PNSWPW4×5	10	10	
413	0020-0050	Bearing holdr bearing center	4	4		463	missing number				
414	0020-0040	Auxiliary table hook center	2	2		464	PNSW3×6	PNSW3×6	0	3	
415	0260-1080	Lift cam	2	2		465	PNSW4×6	PNSW4×6	20	21	
416	1666-2400	Lift cam return lever	2	2		466	LO4x6	LO4x6	2	2	
417	1281-0240	Lift cam lever (L)	1	1		467	PNSW3×4	PNSW3×4	10	10	
418	0020-0750	Spring hook	0	1		468	PNSW4×5	PNSW4×5	4	4	
419	0220-1050	Stopper	5	5		469	PN3×12	PN3×12	3	3	
420	0220-1140	Stopper rubber	5	5		470	1281-0299	CF-307ZE	2	2	
421	1666-0103	Left side cover	1	1		471	missing number				
422	PNSW4×8	PNSW4×8	11	11		472	PNSWPW4×10	PNSWPW4×10	2	2	
423	1666-0502	Interlock SW mounting tray	1	1		473	BDLW4×8	BDLW4×8	2	2	
424	7148-0017	Lead μ switch D2RV-L	1	1		474	0020-0350	F roller SP	1	1	
425	PNSWPW3×14	PNSWPW3×14	2	6		475	0020-0290	Holder rollerSP	1	1	
426	1666-7104	TP-2732F-KG-250-H00-24	0	1		476	0260-1280	Spring lift return SP	1	1	
427	ER5	ER5	5	5		477	1666-8046	Paper feed pressure identification plate	0	1	
428	0260-1213	Paper feed adjustment W0.5	2	2		478	FS4×6	FS4×6	16	16	
429	3666-2001	F roller holder	2	2	1666-2001, 0260-7100, 0260-1180	479	1281-0111	Table SP-B	0	1	
430	0260-2550	Table lever angle	0	1		480	SP4×22	SP4×22	0	1	
431	3666-3302	Paper feed lifting arm	0	1	1666-1302, 0260-2240, 0260-2230	481	missing number				
432	0143-0320	Up and down lever roller ASSY	0	1	0143-0330, 0143-1020	482	1281-0113	Paper feed pressure SP-B	0	1	
433	0145-2840	Paul washer	0	2		483	3666-4118	Table 2 guide left Assy	1	1	1666-4118, 1666-4116*2
434	missing number					484	3666-4111	Automatic table 1 guide (L) Assy	1	1	1666-4111, 1666-4116*2
435	missing number					485	3264-0044	Main motor A Assy	1	1	0264-0045, 0145-1960
436	0145-4170	Sintered metal B-F10-9	0	1		486	BD4×8	BD4×8	0	1	
437	0100-3510	D2MV-01L22-1C2	0	2		487	0020-0800	Paper feed table lever presser	0	1	
438	0264-0040	Holder roller bearing presser	2	2		488	1666-1913	Paper feed pressure adjustment lever	0	1	
439	1333-0353	CF-310ZE	3	3		489	1666-1912	Paper feed pressure SP lever ASSY	0	1	
440	1262-7204	NK-4N	9	8		490	1666-1950	CF-413E	0	1	
441	1666-0702	Inlet wiring board	0	1		491	1281-0117	Paper feed pressure adjuster B	0	1	
442	0260-9160	TB-1926	4	4		492	PNSW3×12	PNSW3×12	0	2	
443	1666-3350	Driving belt 202XL037G	1	1		493	1666-3000	Paper feed pulley shaft	1	1	
444	1263-0049	CF-317ZE	2	2		494	1666-3050	CC-0814-30	1	1	
445	1666-7111	3P Inlet AC-P03CS05	1	1		495	1286-8170	Main motor	1	1	
446	1666-7204	Inlet mounting tray	1	1		496	1666-3301	Motor mounting plate	1	1	
447	1666-3154	Paper ejection pulley shaft	1	1		497	PNSWPW4×15	PNSWPW4×15	4	4	
448	1666-6148	Paper feed pulley Assy	1	1	1666-6151, 0264-0033, 0145-4160*2	498	PNSWPW4×18	PNSWPW4×18	0	1	
449	1666-6149	Paper ejection pulley Assy	1	1	666-6153, 0264-0033, 1666-6156*2	499	0264-0510	Paper feed pressure setting spring	0	1	

5. Paper Feed Table



6. Folding table 1



6. Folding table 1

Fig.No.	Parts No.	Parts Name	408A	508A	Remarks	Fig.No.	Parts No.	Parts Name	408A	508A	Remarks
601	0260-4241	Stopper plate AssY	1	1	0260-4240, 0260-4260						
602	1281-0217	Table fine adjustment knob (large)	1	1							
603	0260-4360	Stopper cushion rubber	3	3							
604	1666-4203	Table 1 (upper)	1	1							
605	1666-4301	Lower table 1 Assy	1	1							
606	1666-4220	Interlock doc	1	1							
607	1666-4230	Table 1 upper cover	1	1							
608	1666-4231	Table 1 lower cover	1	1							
609	0020-4310	Glomet bush	1	1							
610	0260-4060	Table 1 screw	1	1							
611	0260-4080	Screw bearing	1	1							
612	0020-0790	Guide bush	1	1							
613	3281-0275	Slider	1	1	1281-0275,00201360*2						
614	0020-1390	Half nut	1	1							
615	0020-1490	Half nut spring	1	1							
616	PNSW3 × 6	PNSW3 × 6	9	9							
617	PNSW3 × 12	PNSW3 × 12	1	1							
618	ER4	ER4	1	1							
619	BD4 × 6	BD4 × 6	2	2							
620	missing number										
621	3260-4110	Stopper screw gear	1	1	0260-4110, 0260-4540						
622	0260-4120	Stopper shutter	1	1							
623	0260-4140	Idler pulley shaft	1	1							
624	0260-4150	Idler pulley	1	1							
625	0260-4160	Idler pulley washer	1	1							
626	missing number										
627	0260-4180	Timing belt 65MXL-4.8	2	2							
628	missing number										
629	missing number										
630	0020-4250	D2RV-L22	1	1							
631	missing number										
632	0260-4230	Stopper original position LS tray	1	1							
633	0020-1480	Stopper doc	1	1							
634	0260-4250	Pressing plate	1	1							
635	PNSW3 × 4	PNSW3 × 4	6	6							
636	ER5	ER5	2	2							
637	T1N3	T1N3	1	1							
638	missing number										
639	1281-0271	Roller cover	1	1							
640	PNBT4 × 20	PNBT4 × 20	8	8							
641	PNSWPW4 × 8	PNSWPW4 × 8	4	4							
642	PNBT 2.5 × 6	PNBT 2.5 × 6	4	4							
643	0260-4540	Stopper screw flange	1	1							
644	1666-8044	Automatic folding table 1 gauge	1	1							
645	PNSWPW3 × 15	PNSWPW3 × 15	2	2							
646	0260-6481	Table 1 photo board harnessA'ssy	1	1							

7. Folding table 2

