

SPE
Surface Preparation Equipment™

SPE International Limited
Honeyholes Lane, Dunholme
Lincoln, LN2 3SU, England
Tel: +44 (0) 1673 860 709
or +44 (0) 1673 860 330
Fax: +44 (0) 1673 861 119
Web Site: <http://www.spe-int.com>
E-mail: sales@spe-int.com

MS 330

MS330-2
MULTISTRIPPER
Operating Manual



**MS330-2
MULTIS RIPPER
Operating Manual**

ELECTRICAL COMPONENTS

QTY	DESCRIPTION	SPE PART NO
1	Panel Box	SP2518-11
1	Hinge Kit	SP190005
1	Back Plate	9249
1	On/Off Switch	SPLM2B7223
1	Contactor	SPBF181023
1	Trip	SP60HD216
1	Overload	SPRF3814
1	On/Off Contact	SPLM2TC01
1	On/Off Contact	SPLM2TC10
1	Contact Holder	SPLM2AU120
1	Conduit Gland	9258
1	Conduit (mtr)	9259



**MS330-2
MULTISRIPPER**
Operating Manual

SPECIFICATION SHEET

Type	MS330 Electric
Part Number	MS330-2
Power Output	3.0hp
Voltage	220
Cycles	50hz
Machine Dimensions (mm)	
Length	1100
Width	480
Height	1000
Weight (kg)	132
Working width (mm)	330
Motor (rpm)	2800

ELECTRICAL REQUIREMENTS

Machine	Volts	Plug Size	Cable Size	Max Cable Length	Transformer	Generator
MS330	220	16 Amp 3 pin	2.5 - 3 core	30 metres		8 kva



MS330-2 MULTISRIPPER Operating Manual

RECORD OF NOISE AND VIBRATION ASSESSMENT

Manufacturer:	SPE
Type:	Tile Lifter
Model No.	MS330-2 Electric
Operation :	Removing vinyl tiles
Running Conditions:	1410 rpm
HAV Note:	Operc

HAND-ARM VIBRATION

Frequency Weighted Energy Equivalent Accelerations ($a_{h,w}$)

Measurement Position	Acceleration (m/s^2)
	Vector Sum
Handle	9.4

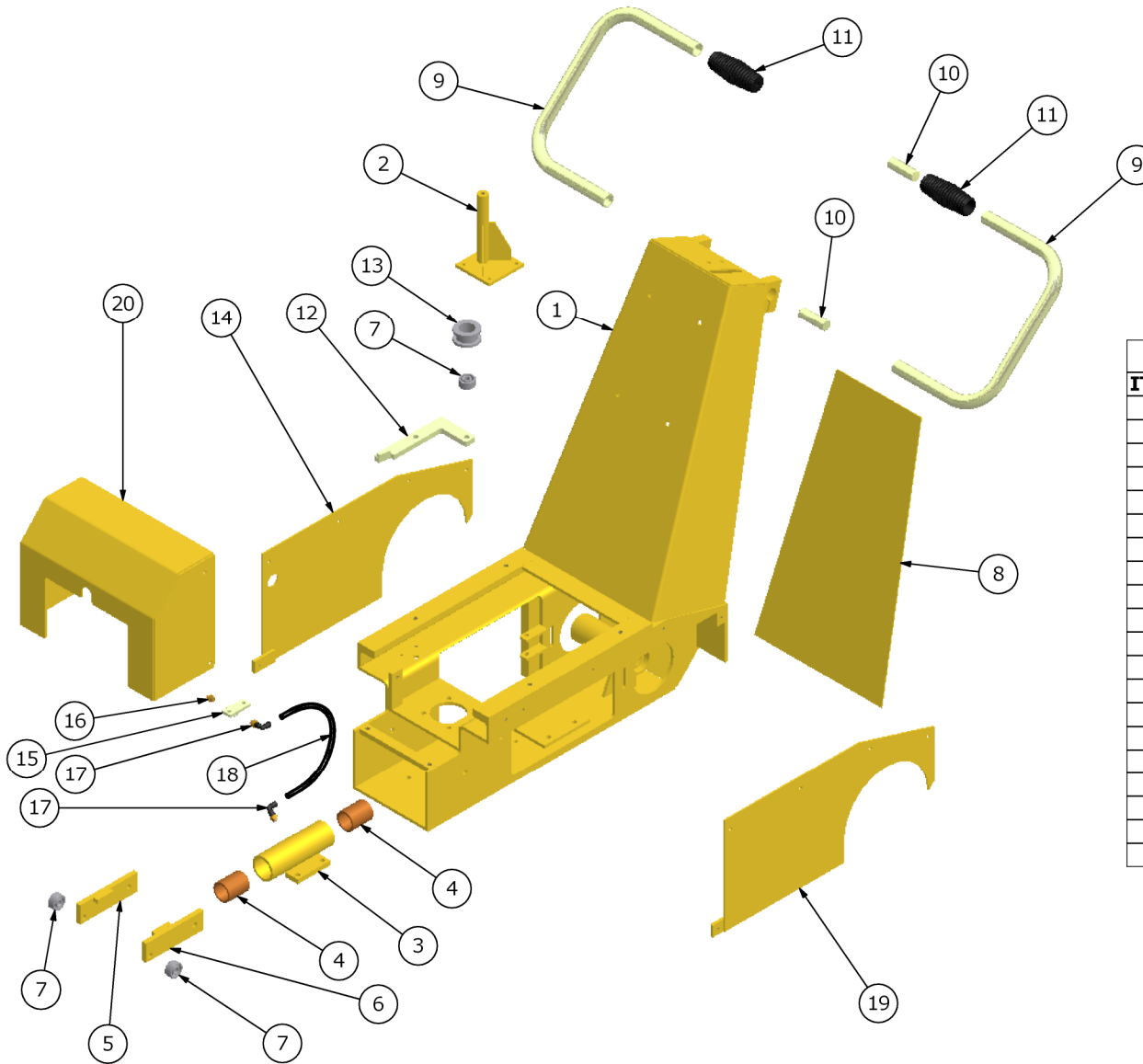
NOISE LEVELS

Sound Power Level (L_{WA})

L_{WA} at Octave Band Centre Frequency (Hz)								Sound Power Level L_{WA}
63	125	250	500	1000	2000	4000	8000	
60.7	88.9	90.7	94.8	95.7	93.2	86.3	73.1	90.4

Operator's Ear

$L_{Aeq,T}$ at Octave Band Centre Frequency (Hz)								Overall Level ($L_{Aeq,T}$)	L_{Peak} dB(C)
63	125	250	500	1000	2000	4000	8000		
30.4	59	64.8	72.4	73.6	66.5	57.8	44.7	76.7	90.9



Parts List			
ITEM	QTY	SPE PART NUMBER	DESCRIPTION
1	1	7100	Main Chassis
2	1	7080	Pivot Bracket
3	1	7099	Phosphor Bronze Bush Holder & Assembly
4	2	7099A	Blade Tube Bush
5	1	7087	Bearing Carrier - R/H
6	1	7086	Bearing Carrier - L/H
7	3	11310	Bearing
8	1	7106	Back Panel
9	2	7107B	Half Handle
10	2	7107A	Handle Connector
11	2	9104	Handlebar Grip
12	1	7094	Tensioner Arm
13	1	11317	Tensioner Pulley
14	1	7101	Side Panel R/H
15	1	7090	Grease Nipple Holder
16	1	7091	Grease Nipple
17	2	10093	Push-In Connector
18	1	7093	Feed Pipe
19	1	7102	Side Panel L/H
20	1	7103	Front Panel

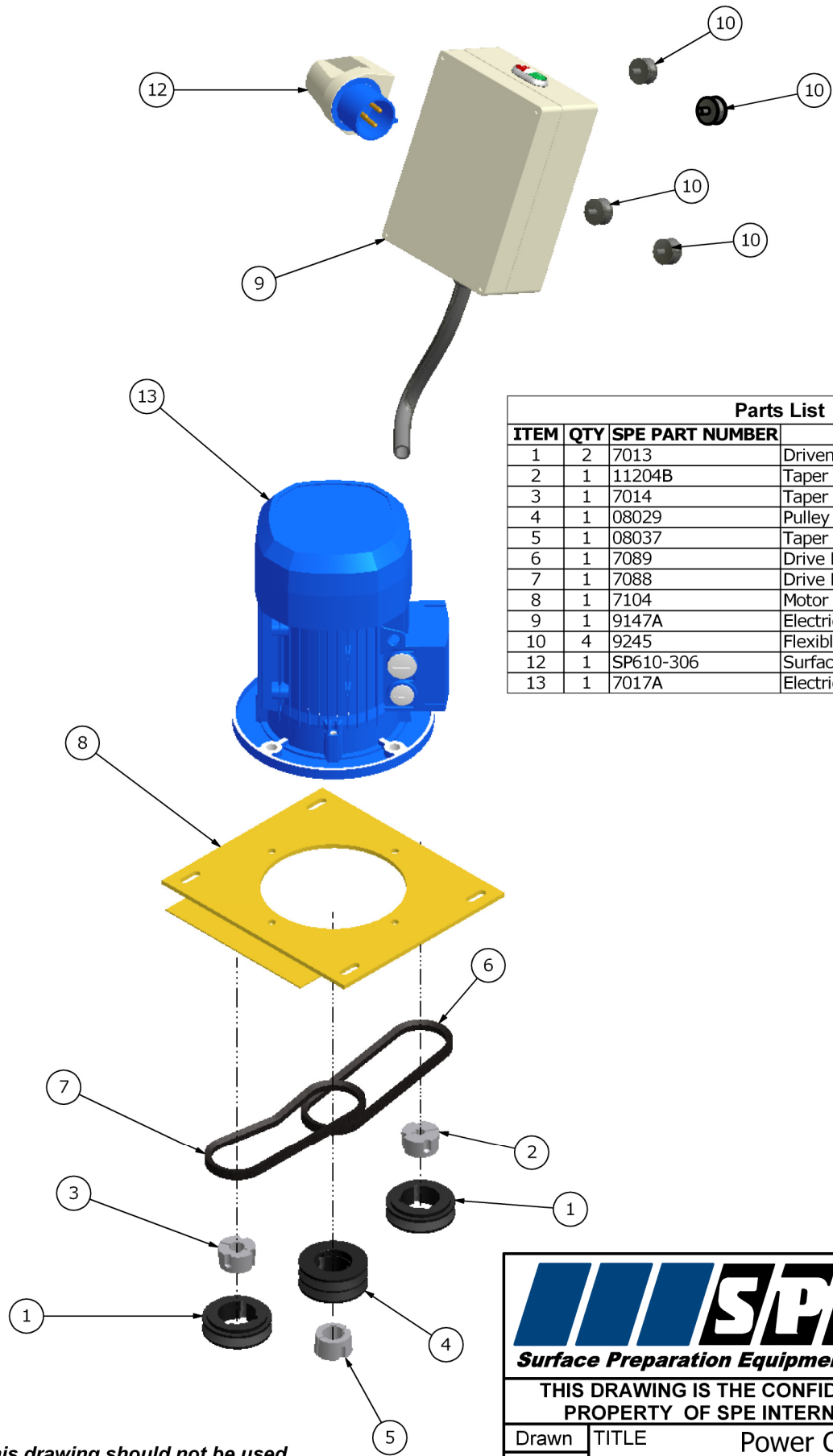


SPE International Limited
 Honeyholes Lane, Dunholme
 Lincoln, LN2 3SU, England
 Tel: +44 (0) 1673 860 709
 or +44 (0) 1673 860 330
 Fax: +44 (0) 1673 861 119
 Web Site: <http://www.spe-int.com>
 E-mail: sales@spe-int.com

**THIS DRAWING IS THE CONFIDENTIAL COPYRIGHT
 PROPERTY OF SPE INTERNATIONAL LIMITED**

Drawn	TITLE	Body Components
D.G.A.		
Checked	Drawing No.	MACHINE
R.C.	MS-330_Bdy-02	MS 330-2

This drawing should not be used, copied, shown or handed to a third party without the prior written consent of SPE International Ltd.



Parts List			
ITEM	QTY	SPE PART NUMBER	DESCRIPTION
1	2	7013	Driven Pulley
2	1	11204B	Taper Lock Bush [1210 - 12mm]
3	1	7014	Taper Lock Bush [1210 - 20mm]
4	1	08029	Pulley
5	1	08037	Taper Lock Bush [1210 - 28mm]
6	1	7089	Drive Belt - Rear / Electric
7	1	7088	Drive Belt - Front / Electric
8	1	7104	Motor Mounting - Electric
9	1	9147A	Electrical Panel Assembly
10	4	9245	Flexible Mounts
12	1	SP610-306	Surface Mounted Plug
13	1	7017A	Electric Motor

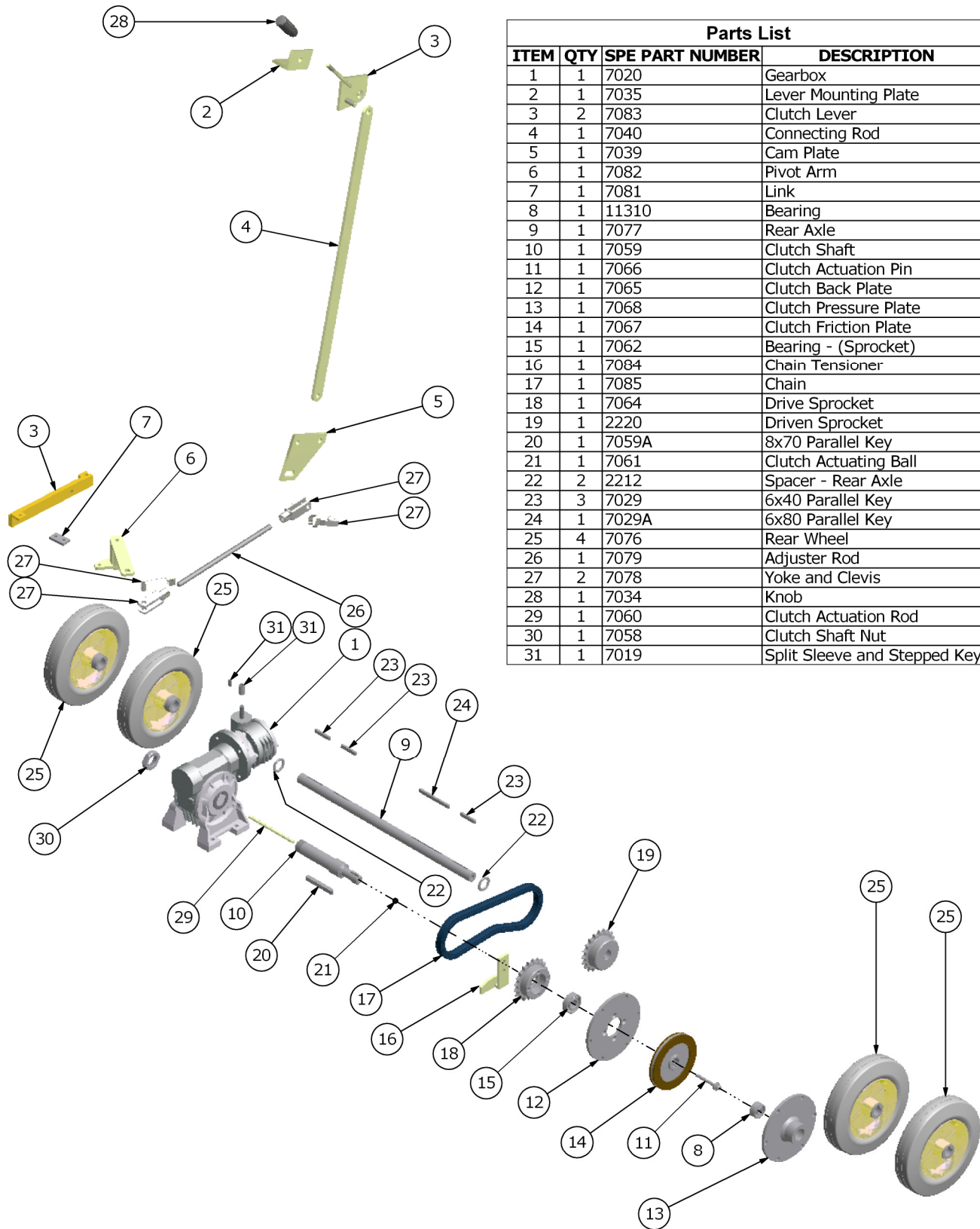
This drawing should not be used, copied, shown or handed to a third party without the prior written consent of SPE International Ltd.



SPE International Limited
 Honeyholes Lane, Dunholme
 Lincoln, LN2 3SU, England
 Tel: +44 (0) 1673 860 709
 or +44 (0) 1673 860 330
 Fax: +44 (0) 1673 861 119
 Web Site: <http://www.spe-int.com>
 E-mail: sales@spe-int.com

THIS DRAWING IS THE CONFIDENTIAL COPYRIGHT PROPERTY OF SPE INTERNATIONAL LIMITED

Drawn	TITLE		Power Components
D.G.A.			
Checked	Drawing No.	MACHINE	
R.C.	MS-330_Pwr-02	MS 330-2	



Parts List			
ITEM	QTY	SPE PART NUMBER	DESCRIPTION
1	1	7020	Gearbox
2	1	7035	Lever Mounting Plate
3	2	7083	Clutch Lever
4	1	7040	Connecting Rod
5	1	7039	Cam Plate
6	1	7082	Pivot Arm
7	1	7081	Link
8	1	11310	Bearing
9	1	7077	Rear Axle
10	1	7059	Clutch Shaft
11	1	7066	Clutch Actuation Pin
12	1	7065	Clutch Back Plate
13	1	7068	Clutch Pressure Plate
14	1	7067	Clutch Friction Plate
15	1	7062	Bearing - (Sprocket)
16	1	7084	Chain Tensioner
17	1	7085	Chain
18	1	7064	Drive Sprocket
19	1	2220	Driven Sprocket
20	1	7059A	8x70 Parallel Key
21	1	7061	Clutch Actuating Ball
22	2	2212	Spacer - Rear Axle
23	3	7029	6x40 Parallel Key
24	1	7029A	6x80 Parallel Key
25	4	7076	Rear Wheel
26	1	7079	Adjuster Rod
27	2	7078	Yoke and Clevis
28	1	7034	Knob
29	1	7060	Clutch Actuation Rod
30	1	7058	Clutch Shaft Nut
31	1	7019	Split Sleeve and Stepped Key

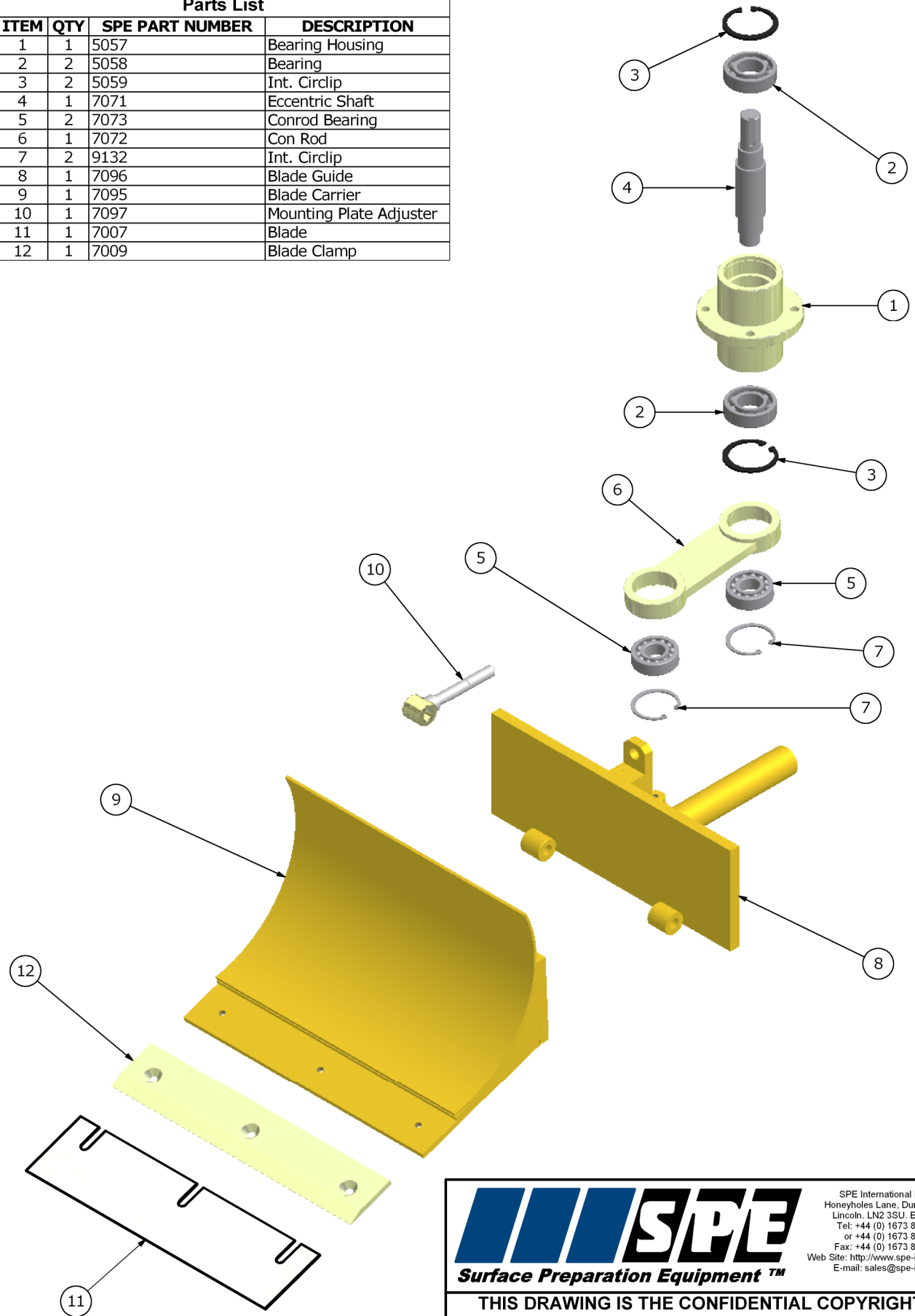
This drawing should not be used, copied, shown or handed to a third party without the prior written consent of SPE International Ltd.

SPE International Limited
 Honeyholes Lane, Dunholme
 Lincoln, LN2 3SU, England
 Tel: +44 (0) 1673 860 709
 or +44 (0) 1673 860 330
 Fax: +44 (0) 1673 861 119
 Web Site: <http://www.spe-int.com>
 E-mail: sales@spe-int.com

THIS DRAWING IS THE CONFIDENTIAL COPYRIGHT PROPERTY OF SPE INTERNATIONAL LIMITED

Drawn	TITLE		Drive Components
D.G.A.			
Checked	Drawing No.	MACHINE	
R.C.	MS-330_Drv-02	MS 330-2	

Parts List			
ITEM	QTY	SPE PART NUMBER	DESCRIPTION
1	1	5057	Bearing Housing
2	2	5058	Bearing
3	2	5059	Int. Circlip
4	1	7071	Eccentric Shaft
5	2	7073	Conrod Bearing
6	1	7072	Con Rod
7	2	9132	Int. Circlip
8	1	7096	Blade Guide
9	1	7095	Blade Carrier
10	1	7097	Mounting Plate Adjuster
11	1	7007	Blade
12	1	7009	Blade Clamp



This drawing should not be used, copied, shown or handed to a third party without the prior written consent of SPE International Ltd.

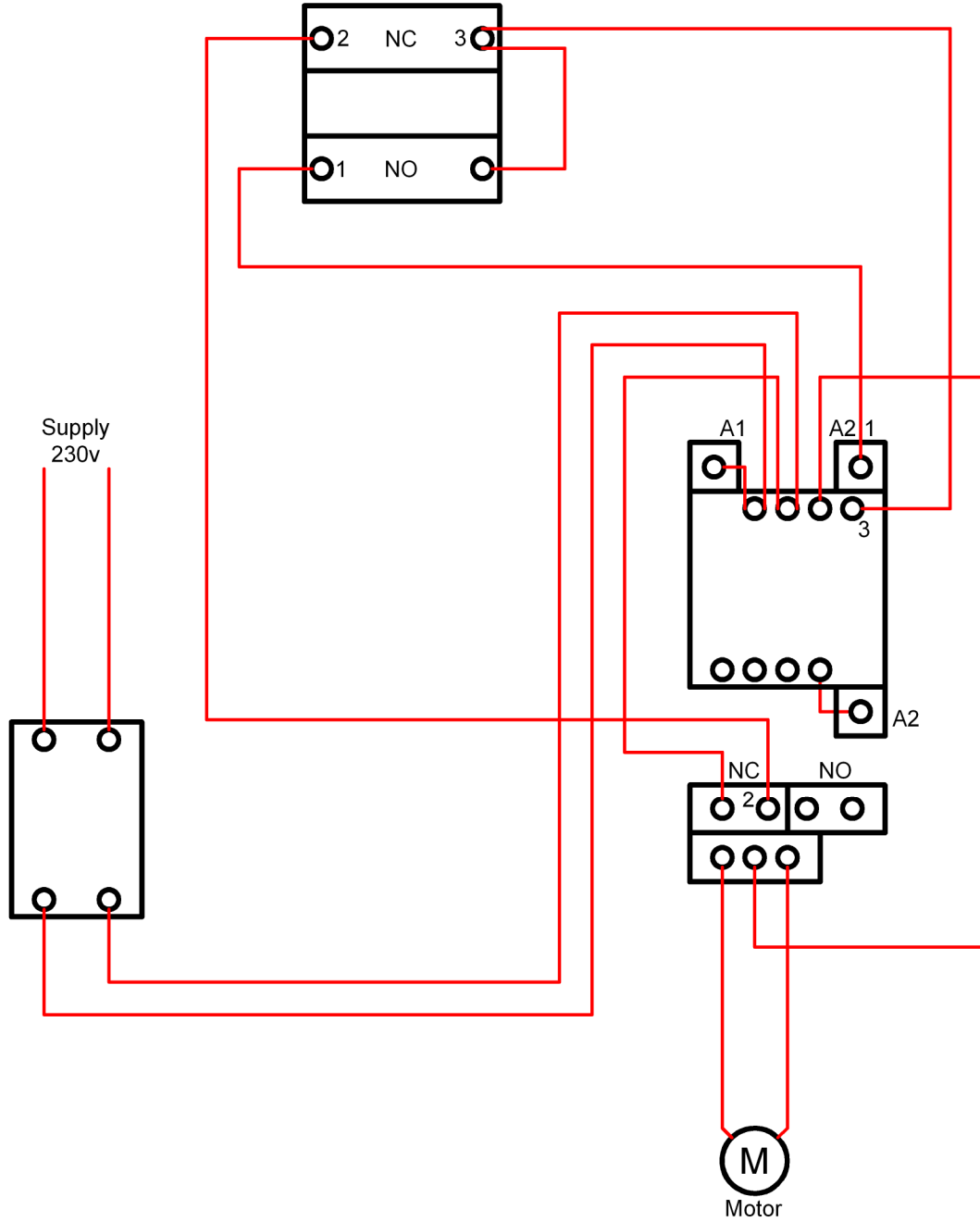


SPE International Limited
 Honeyholes Lane, Dunholme
 Lincoln, LN2 3SU, England
 Tel: +44 (0) 1673 860 709
 or +44 (0) 1673 860 330
 Fax: +44 (0) 1673 861 119
 Web Site: <http://www.spe-int.com>
 E-mail: sales@spe-int.com

THIS DRAWING IS THE CONFIDENTIAL COPYRIGHT PROPERTY OF SPE INTERNATIONAL LIMITED

Drawn	TITLE Blade & Motion Components	
D.G.A.		
Checked	Drawing No.	MACHINE
R.C.	MS-330_Bld-02	MS 330-2

This drawing should not be used, copied, shown or handed to a third party without the prior written consent of SPE International Ltd.




SPE
Surface Preparation Equipment™
 SPE International Limited
 Honeyholes Lane, Dunholme
 Lincoln, LN2 3SU, England
 Tel: +44 (0) 1673 860 709
 or +44 (0) 1673 860 330
 Fax: +44 (0) 1673 861 119
 Web Site: www.spe-int.com
 E-mail: sales@spe-int.com

THIS DRAWING IS THE CONFIDENTIAL COPYRIGHT PROPERTY OF SPE INTERNATIONAL Ltd.

Drawn	TITLE	
D.G.A.	Wiring Diagram	
Checked	Drawing No.	Machine
J.J.	MS-330_Elec-02	MS 330-2