

# **PARTS MANUAL**



**MP2 SERIES**  
**MODELS: MP25E1,**  
**MP25E3, MP2H**  
**MASONRY SAWS**  
**(5 HP 1Ø ELECTRIC MOTOR)**  
**(5 HP 3Ø ELECTRIC MOTOR)**  
**(8.5 HP HONDA GASOLINE ENGINE)**

Revision #3 (10/03/19)

**P/N: 38269**

## SUGGESTED SPARE PARTS

### **MP2 SERIES SAW 1 TO 3 UNITS Electric Motor Models**

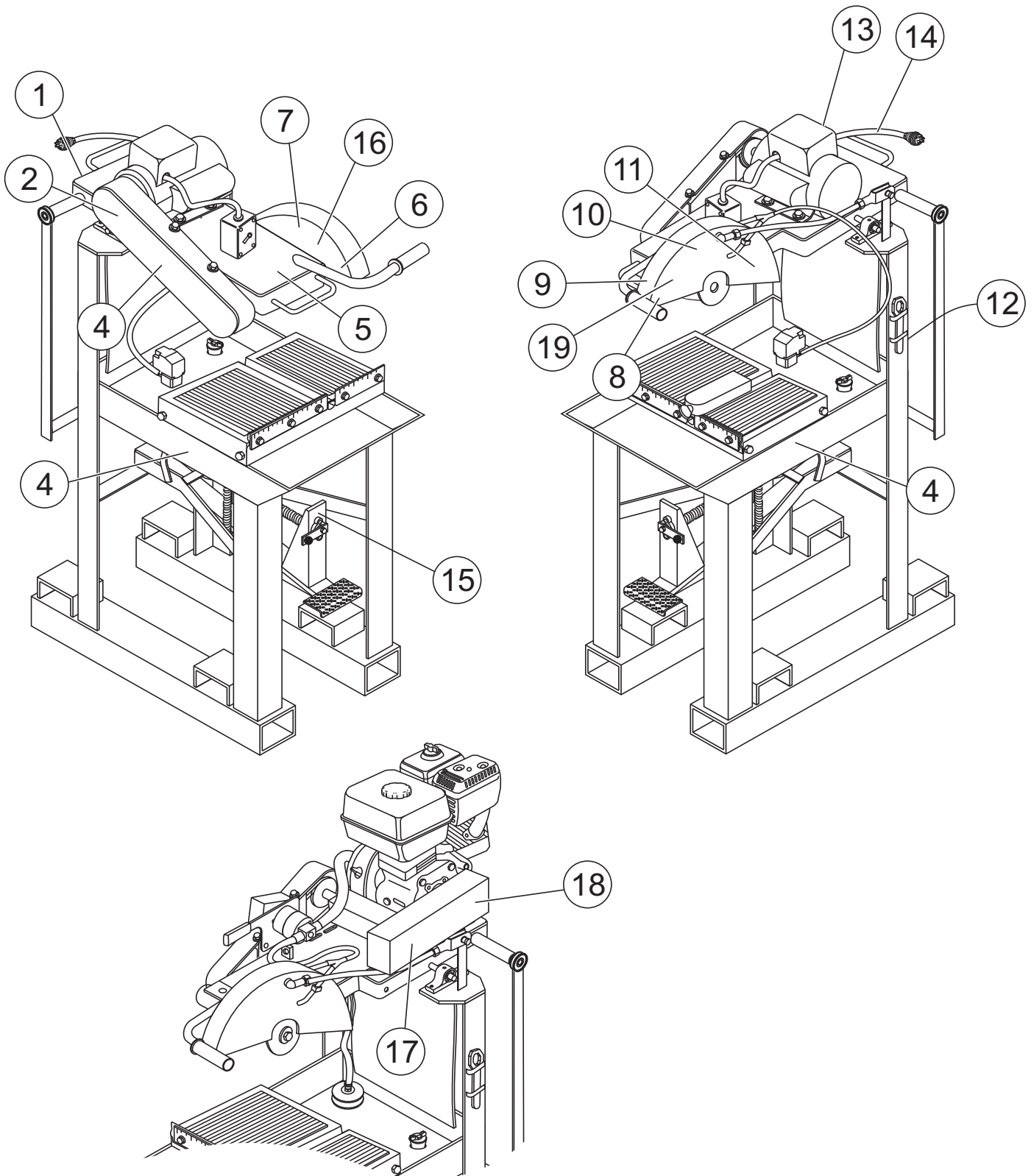
Qty.	P/N	Description
2	20478	KNOB, COMFORT GRIP
1	23783-001	WRENCH, HEX 3/4
4	21004-005	V-BELT, ELECTRIC MOTOR AX-48
1	23843-001	WATER PUMP, ELECTRIC MOTOR
4 FT.	23867-006	VINYL WATER TUBING
1	27036-501	CONVEYOR CART ASSY.
2	23830-001	BLADE SHAFT BEARING
2	8136	BLADE SCREW
2	5054 A	WASHER, LOCK
2	23832-001	OUTER BLADE FLANGE
2	23833-001	INNER BLADE FLANGE
2	18637-001	HANDLE LOCK

### **MP2 SERIES SAW 1 TO 3 UNITS Gasoline Engine Model**

Qty.	P/N	Description
2	20478	HANDLE GRIP
2	23830-001	BLADE SHAFT BEARING
2	8136	BLADE SCREW
2	5054 A	WASHER, LOCK
1	23783-001	WRENCH, HEX 3/4
4	16779-012	V-BELT, DRIVE, 3VX250
4	16779-004	V-BELT, JACK SHAFT 3VX375
1	25685-001	STRAINER
1	27036-501	CONVEYOR CART ASSY.
2	23833-001	OUTER BLADE FLANGE
2	23846-001	INNER BLADE FLANGE
2	18637-001	KNOB, LOCK
3	17210ZE1505	ELEMENT, AIR CLEANER
3	9807956846	SPARK PLUG
1	17620ZH7023	CAP, FUEL FILLER
1	28462ZE2W11	ROPE, RECOIL STARTER

# NAME PLATE AND DECALS

## NAMEPLATE AND DECALS



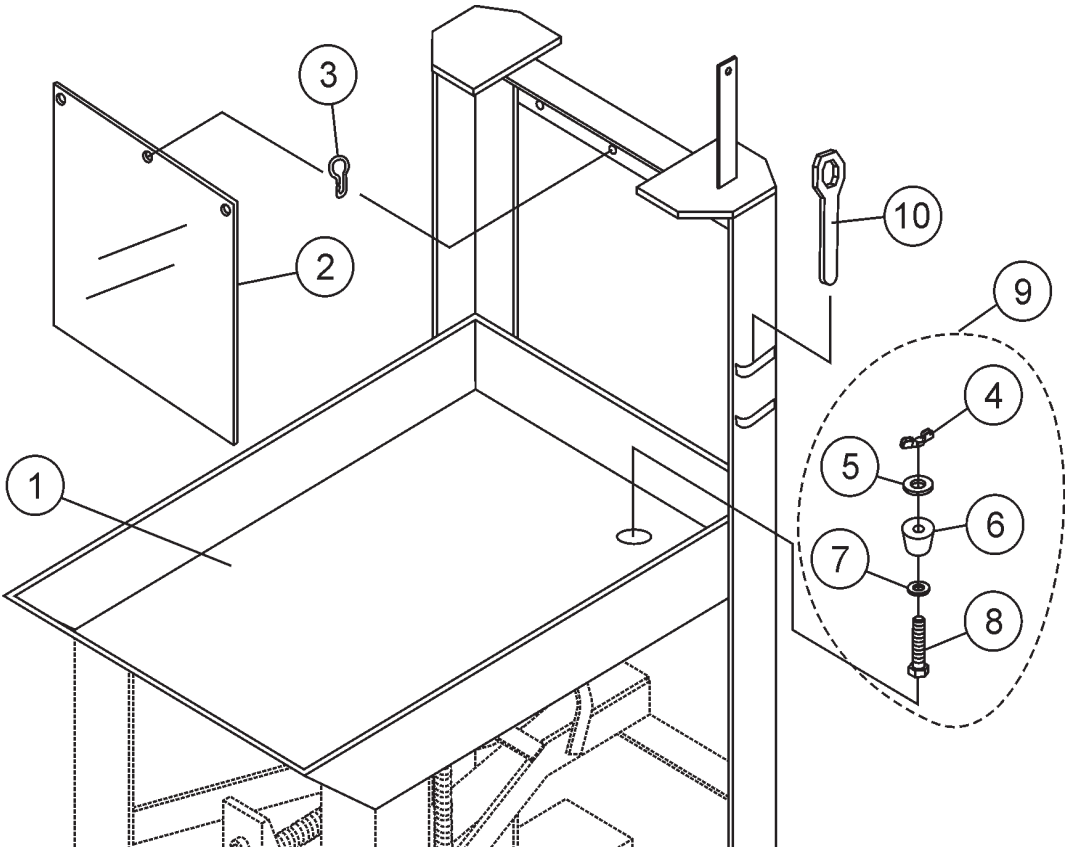
GASOLINE MODELS ONLY

## NAME PLATE AND DECALS

### NAMEPLATE AND DECALS

<u>NO.</u>	<u>PART NO.</u>	<u>PART NAME</u>	<u>QTY.</u>	<u>REMARKS</u>
1		PLATE, MODEL/SERIAL NUMBER .....	1 .....	CONTACT PARTS DEPT.
2	21302	DECAL, BELT GUARD WARNING	1	
4	38243	DECAL, MP2 LOGO	3	
5	15580	DECAL, RESPIRATORY WARNING	1	
6	35137	DECAL, READ OPERATORS MANUAL	1	
7	25491	DECAL, CW ROTATION	1	
8	25249-001	DECAL, BLADE WARNING	1	
9	22122-001	DECAL, PREVENT SERIOUS INJURY	1	
10	29730	DECAL, US FLAG	1	
11	38213	DECAL, MULTIQIP 4 x 4 IN.	1	
12	13118	DECAL, POWDER COATED	1	
13	25139-001	DECAL, EXTENSION CORD SIZE .....	1 .....	ELECTRIC MODELS ONLY
14	25215-001	DECAL, ELECTRIC CORD WARNING .....	1 .....	ELECTRIC MODELS ONLY
15	27082-001	DECAL, CRANK HANDLE TURN DIRECTION	1	
16	20525	DECAL, PROP 65	1	
17	38239	DECAL,MP2 LOGO .....	1 .....	GASOLINE MODELS ONLY
18	21302	DECAL, BELT GUARD WARNING .....	1 .....	GASOLINE MODELS ONLY
19	35136	DECAL, BLADE LOWER, CW	1	

TRAY ASSY.

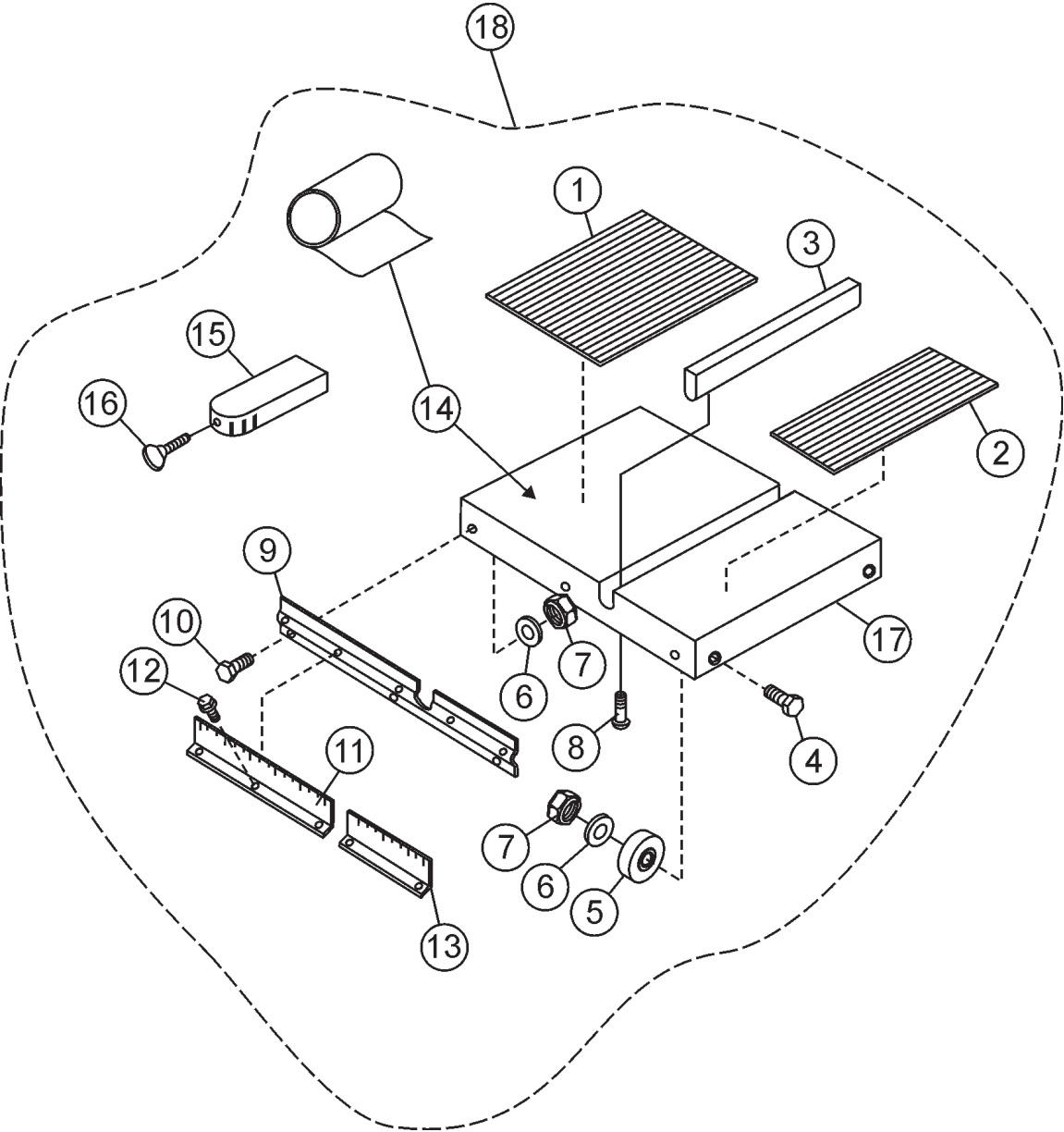


# TRAY ASSY.

TRAY ASSY.

<u>NO.</u>	<u>PART NO.</u>	<u>PART NAME</u>	<u>QTY.</u>	<u>REMARKS</u>
1	26963-351	FRAME .....	1 .....	YELLOW
2	27026-001	CURTAIN, SPLASH	1	
3	23853-001	SNAP HOOK, SHOWER CURTAIN	3	
4*	2509	NUT, WING 1/4 - 20 PLTD	1	
5*	12391-004	WASHER, FLAT 1/4 AN970-4	1	
6*	23847-001	RUBBER STOPPER	1	
7*	0948	WASHER, FLAT SAE 1/4	1	
8*	5277	SCREW, HHC 1/4 - 20 X 1-1/2	1	
9	23862-501	RUBBER STOPPER ASSY. ....	1 .....	INCLUDES ITEMS W/*
10	23783-001	WRENCH, HEX 3/4	1	

CART ASSY.



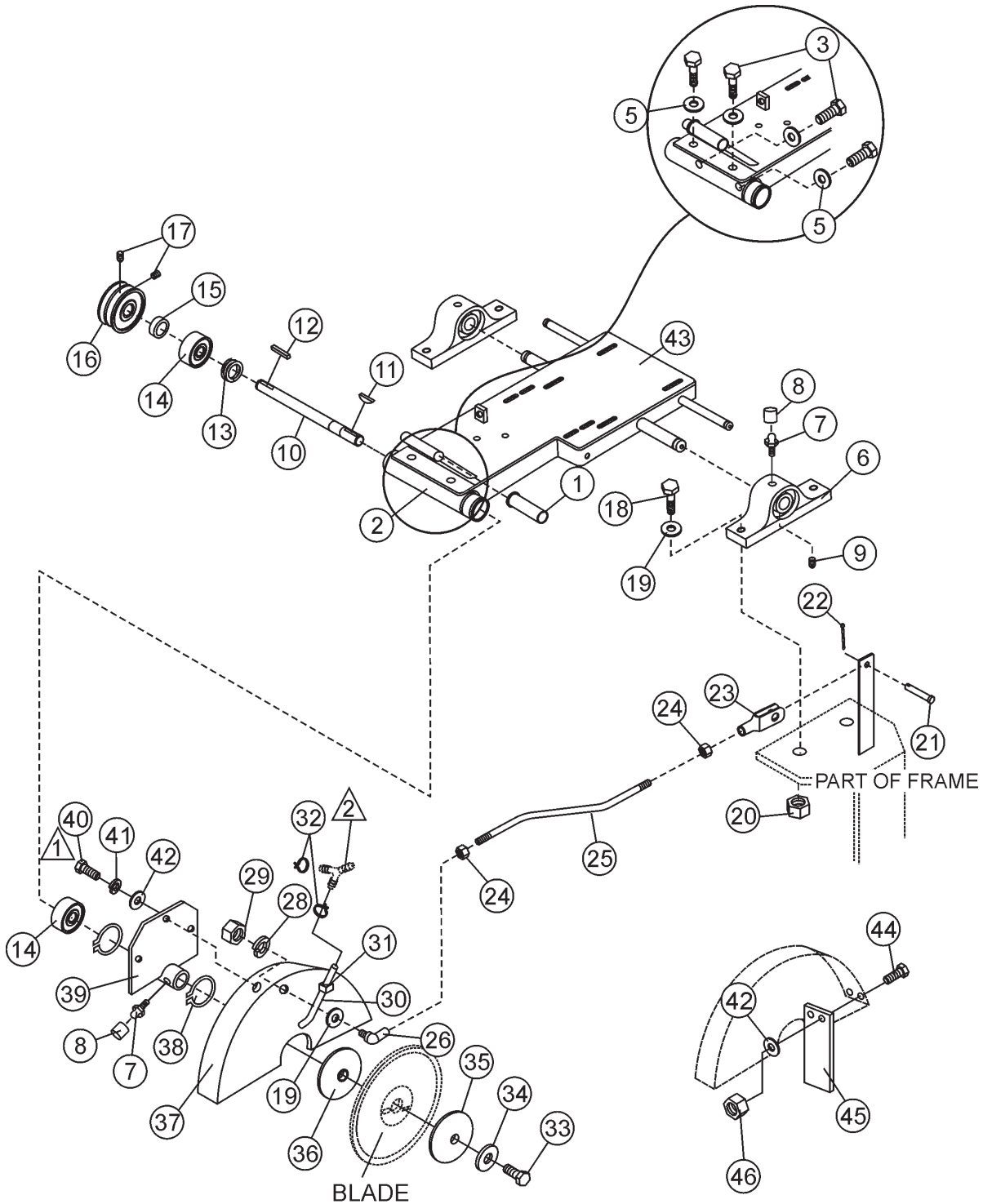
# CART ASSY.

## CART ASSY.

<u>NO.</u>	<u>PART NO.</u>	<u>PART NAME</u>	<u>QTY.</u>	<u>REMARKS</u>
1*	23804-003	MAT, RUBBER V-RIB 6.75 X 12.06 IN.	1	
2*	23804-004	MAT, RUBBER V-RIB 14.94 X 12.06 IN.	1	
3*	27035-001	INSERT, CONVEYOR CART	1	
4*	0730	SCREW, HHC 1/4-20 X 1 IN.	4	
5*	23793-001	WHEEL, CONVEYOR CART	4	
6*	0948	WASHER, FLAT	4	
7*	08233-004	NUT, LOCK 1/4 IN. - 20 GRIPCO	7	
8*	23796-001	SCREW, RD HD	2	
9*	27037-001	SIDE CONVEYOR	1	
10*	23866-001	SCREW, HHST, 10-32 x 1/2 IN.	5	
11*	27032-001	RULER, LONG SIDE	1	
12*	23795-008	SCREW, HHST	5	
13*	27033-001	RULER, SHORT	1	
14*	26076-301	TAPE, ROLL ADHESIVE TRNSFR	8.5 FT.	
15*	24288-001	GUIDE, CUTTING	1	
16*	08622-012	SCREW, THUMB 5/16 - 18 X 1-1/2 IN.	1	
17*	26992-351	CART, CONVEYOR	1	
18	27036-501	CART ASSEMBLY .....	1	INCLUDES ITEMS W/*

# MOTOR PLATE & BLADE GUARD ASSY.

MOTOR PLATE & BLADE GUARD ASSY.



NOTES:

- ① USE THREADLOCK COMPOUND  
LOC-TITE 271 OR EQUIVALENT.
- ② WATER PUMP ASSY. (ELECTRIC  
MOTORS ONLY), ITEM 5

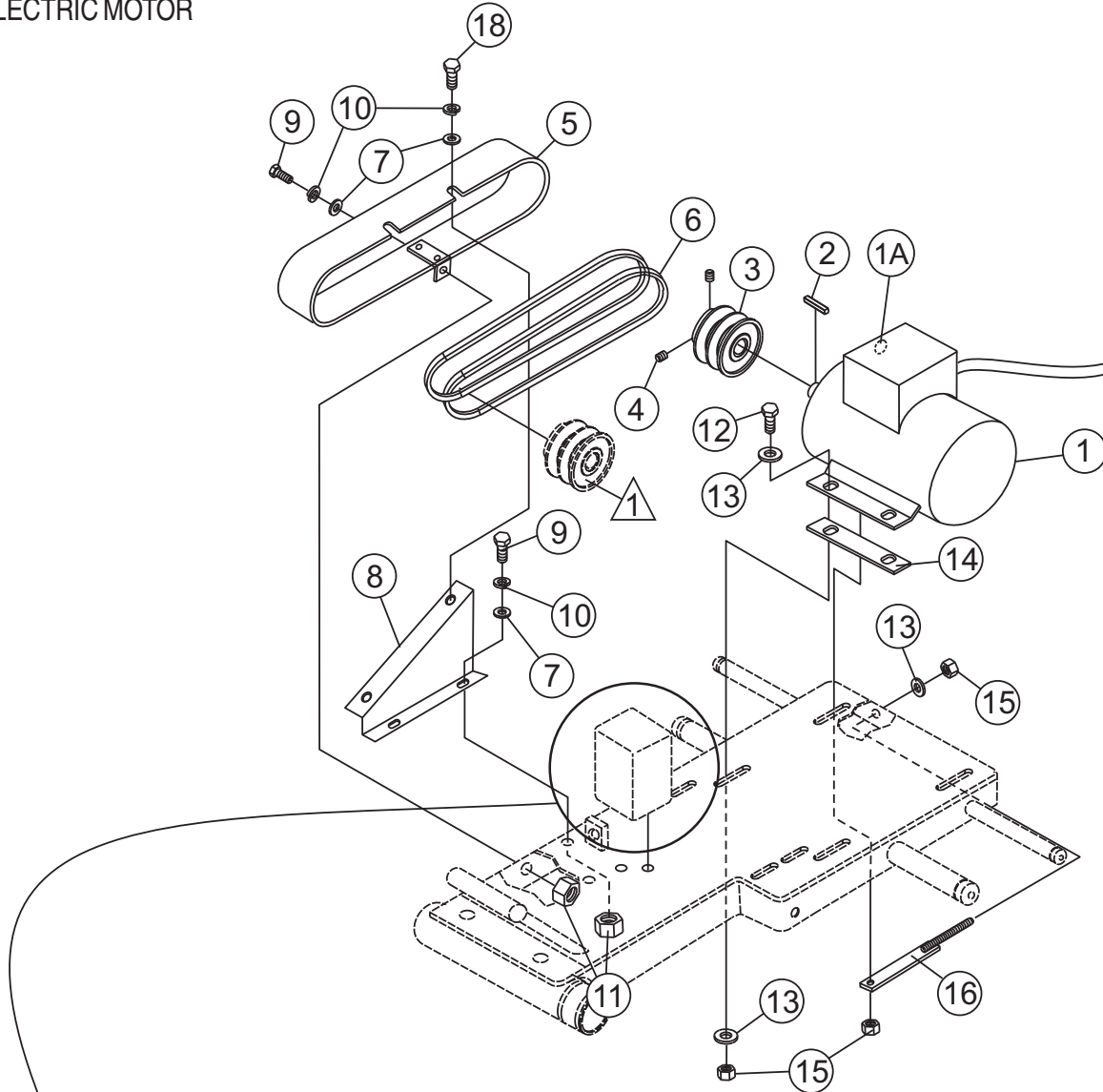
## MOTOR PLATE & BLADE GUARD ASSY.

### MOTOR PLATE & BLADE GUARD ASSY.

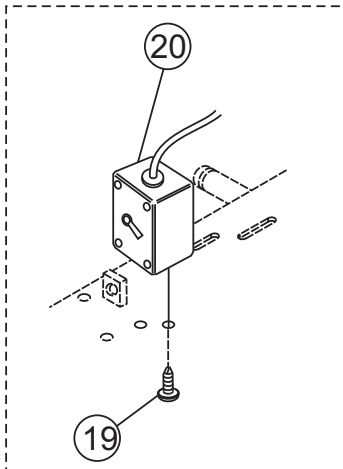
<u>NO.</u>	<u>PART NO.</u>	<u>PART NAME</u>	<u>QTY.</u>	<u>REMARKS</u>
1	20478	GRIP, HANDLE	1	
2	23835-702	TUBE, SPINDLE ASSY.	1	
3	16105	SCREW, HEX 5/16-24 x 3/4 IN.	4	
5	0300 B	WASHER, FLAT 5/16 IN.	4	
6	27023-001	BEARING, PILLOW BLOCK .....	2	INCLUDES ITEMS W/#
7	2621	ZERK FITTING	3	
8	1162 A	CAP, GREASE ZERK #2 YLW	3	
9#	TBD	SET SCREW, PILLOW BLOCK	4	
10	23834-003	SHAFT, SPINDLE	1	
11	07011-017	KEY, WOODRUFF KEY	1	
12	0627	KEY, SQUARE 3/16 x 1-1/4 IN.	1	
13	06330-006	WASHER, SPRING	1	
14	23830-001	BEARING	2	
15	23829-002	SPACER, 1/2" .....	1	S/N YG55003339 AND BELOW
15	23829-001	SPACER, 1/4" .....	1	S/N YG55003340 AND ABOVE
16	27030-001	PULLEY, SPINDLE .....	1	ELECTRIC MODELS ONLY
16	28324-001	PULLEY, SPINDLE .....	1	GASOLINE MODELS ONLY
17	10138	SET SCREW, SPINDLE PULLEY	3	
18	1284	SCREW, HEX 3/8-16 x 1-1/2 IN.	4	
19	10136	WASHER, FLAT 3/8 IN.	5	
20	10133	NUT, GRIPPO 3/8-16 IN.	4	
21	5291	PIN, CLEVIS 3/8 x 1-1/8 IN.	1	
22	0683	PIN, COTTER 3/32 DIA. x 3/4 IN.	1	
23	08327-012	YOKE END, ADJUSTABLE	1	
24	2199	NUT, JAM 3/8-24 IN.	2	
25	27021-001	TIE ROD	1	
26	27034-001	BALL JOINT, QUICK DISCONNECT	1	
28	0166 A	WASHER, LOCK 3/8 IN.	1	
29	07037-006	NUT, HEX 3/8-24 IN.	1	
30	23867-005	TUBING, VINYL	2	
31	25628-001	HOSE CLAMP, BLADE GUARD	2	
32	12694-001	HOSE CLAMP	2	
33	8136	BOLT, HEX 1/2-20 x 1-1/2 IN.	1	
34	5054 A	WASHER, LOCK	1	
35	23832-001	OUTER FLANGE	1	
36	23833-001	INNER FLANGE	1	
37	27008-351	BLADE GUARD ASSY. ....	1	YELLOW
38	17510-002	SNAP RING	2	
39	23825-351	MOUNTING PLATE, BLADE GUARD	1	
40	0131 A	SCREW, HEX 1/4-20 x 3/4 IN.	3	
41	0181 B	WASHER, LOCK 1/4 IN.	5	
42	0948	WASHER, FLAT 1/4 IN.	3	
43	26984-351	MOTOR PLATE .....	1	YELLOW
43	29003-351	MOTOR PLATE .....	1	9 HP HONDA
44	0131 A	SCREW, HHC 1/4-20 x 3/4 IN.	2	
45	27078-001	SPLASH SHIELD, BLADE GUARD	1	
46	0949	NUT, HEX 1/4-20 IN.	2	

# ELECTRIC MOTOR

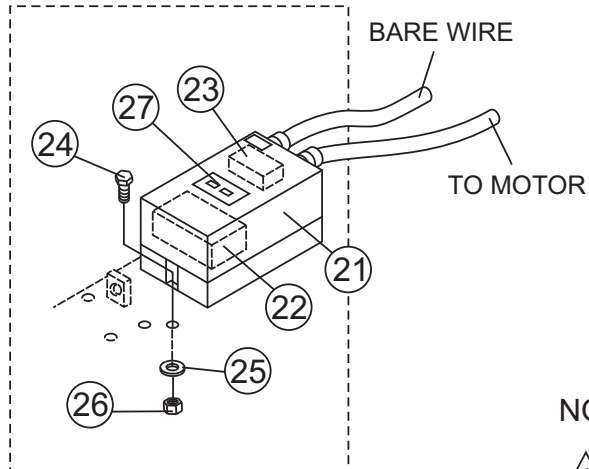
ELECTRIC MOTOR



SINGLE PHASE SWITCH



THREE PHASE SWITCH



NOTES:

 MOTOR PLATE & BLADE GUARD ASSY., ITEM 16

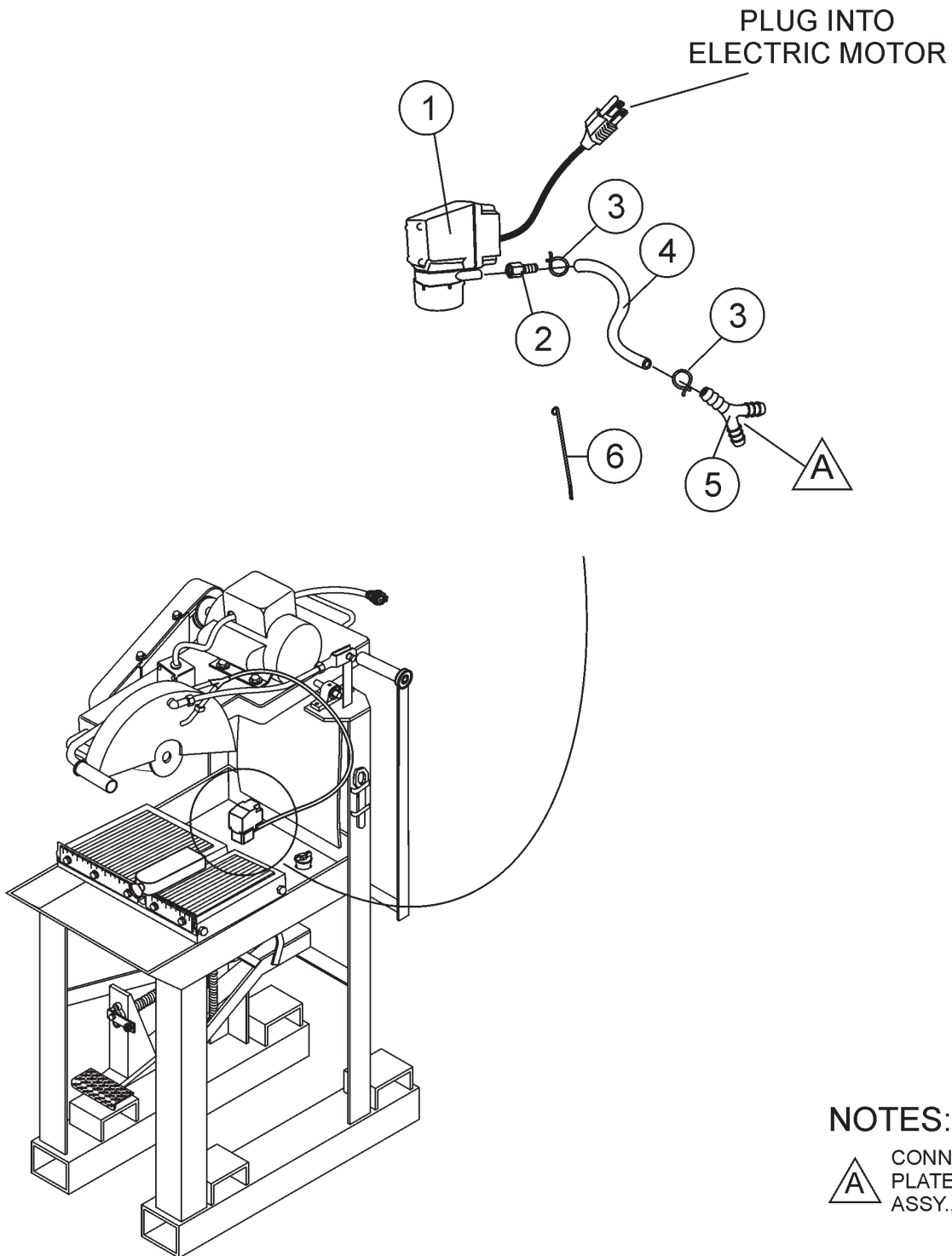
# ELECTRIC MOTOR

## ELECTRIC MOTOR

<u>NO.</u>	<u>PART NO.</u>	<u>PART NAME</u>	<u>QTY.</u>	<u>REMARKS</u>
1	27022-401	ELECTRIC MOTOR, 5 HP 1Ø .....	1 .....	INCLUDES ITEMS W/*
1	27090-401	ELECTRIC MOTOR, 5 HP 3Ø .....	1 .....	INCLUDES ITEMS W/*
2*	6059 B	KEY, 1/4 x 2	2	
3	27029-002	PULLEY (MOTOR) .....	1 .....	REPLACES P/N 27029-001
4	16193-006	SCREW, SHS 5/16-18 x 3/8 IN.	2	
5	27002-351	BELT GUARD	1	
6	21004-005	BELT - AX-48	2	
7	0948	WASHER, FLAT 1/4	5	
8	29710-351	MOUNT, BELT GUARD	1	
9	0131 A	SCREW, HHC 1/4 - 20 x 1/2 IN.	3	
10	0181 B	WASHER, LOCK 1/4 IN.	5	
11	0949	NUT, HEX 1/4-20 IN.	3	
12	1023	SCREW, HHC 3/16-16 x 1-1/2 IN.	4	
13	10136	WASHER, FLAT 3/8 IN.	6	
14	27016-001	SPACER, MOTOR	2	
15	10133	NUT, NYLOC 3/8-16 IN.	6	
16	23811-354	BELT TIGHTENER	2	
18	0131 A	SCREW, HHC 1/4 - 20 x 1/2 IN.	2	
19	23865-001	SCREW, SELF-TAP	2	
20	24037-501	SWITCHBOX, 1 PHASE	1	
21	C799Mp55	SWITCHBOX, 3 PHASE	1	
22	27090-001	STARTER	1	
23	27090-003	TRIP, UNDER VOLTAGE	1	
24		BOLT .....	2 .....	OBTAIN LOCALLY
25		WASHER, FLAT .....	2 .....	OBTAIN LOCALLY
26		NUT, HEX .....	2 .....	OBTAIN LOCALLY
27	CA302LN	SWITCH	1	

# WATER PUMP ASSY. (ELECTRIC MOTORS ONLY)

WATER PUMP ASSY. (ELECTRIC MOTORS ONLY)



## NOTES:



CONNECT TO MOTOR  
PLATE & BLADE GUARD  
ASSY., ITEMS 25 & 26

## **WATER PUMP ASSY. (ELECTRIC MOTORS ONLY)**

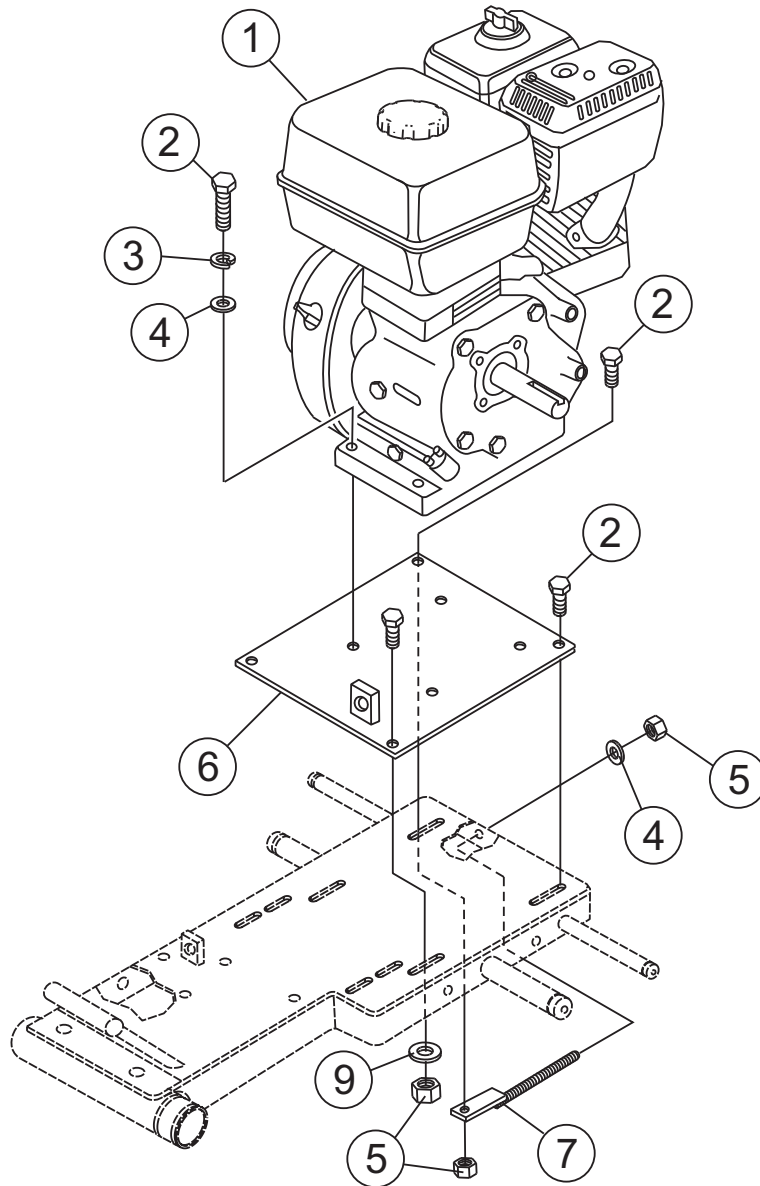
---

### WATER PUMP ASSY. (ELECTRIC MOTORs ONLY)

<u>NO.</u>	<u>PART NO.</u>	<u>PART NAME</u>	<u>QTY.</u>	<u>REMARKS</u>
1	23843-001	WATER PUMP, ELECTRIC .....	1 .....	USE WITH SINGLE PHASE MOTORS
1	28693-501	WATER PUMP, ELECTRIC .....	1 .....	USE WITH THREE PHASE MOTORS
2	26077-001	FITTING, BRASS 6 BARB 1/4FP	1	
3	12694-001	HOSE CLAMP	2	
4	23867-006	TUBING, VINYL 5/16 .....	4 .....	CUT TO 4 FT.
5	14233-002	Y-FITTING	1	
6	1662	TIE, CABLE	1	

# GASOLINE ENGINE MOUNT ASSY.

GASOLINE ENGINE MOUNT ASSY.



## **GASOLINE ENGINE MOUNT ASSY.**

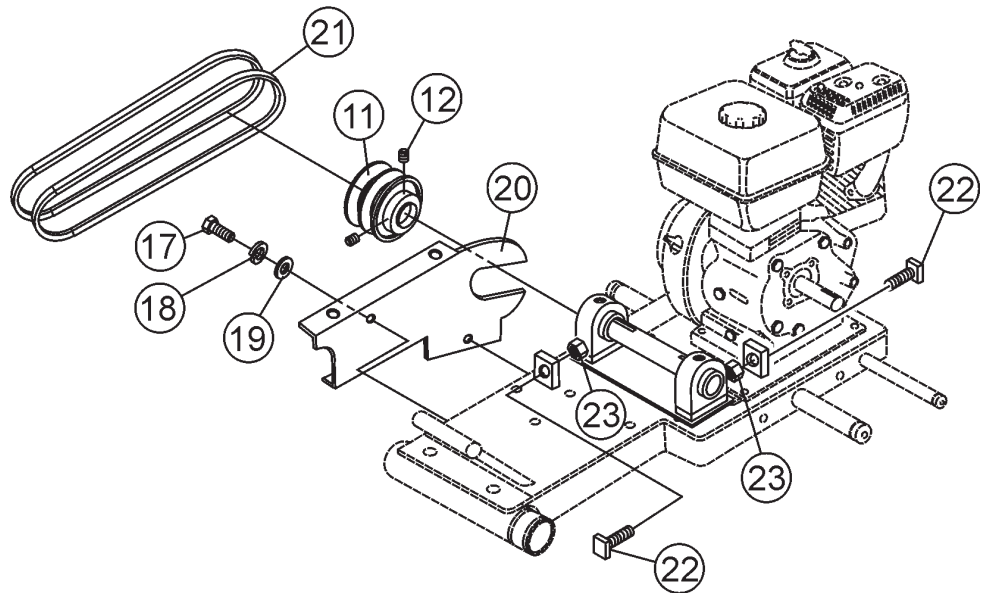
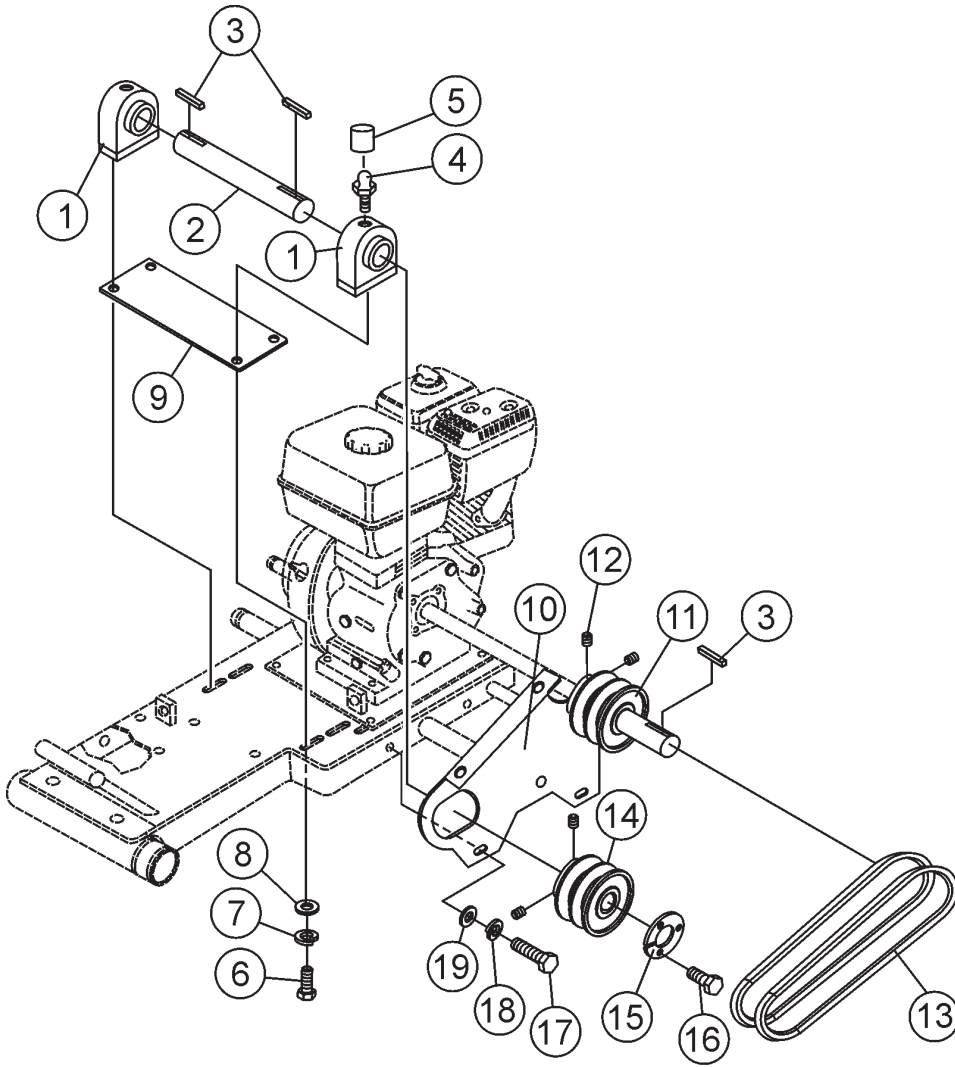
---

### GASOLINE ENGINE MOUNT ASSY.

<u>NO.</u>	<u>PART NO.</u>	<u>PART NAME</u>	<u>QTY.</u>	<u>REMARKS</u>
1	15101	ENGINE, HONDA 9 H.P.	1	GX270QWH2
2	1023	SCREW, HHC 3/8-16 x 1-1/4 IN.	8	
3	0166 A	WASHER, LOCK 3/8 IN.	4	
4	10136	WASHER, FLAT 3/8 IN.	2	
5	10133	NUT, GRIPPO 3/8-16 IN.	4	
6	29004-351	BASE PLATE, ENGINE MOUNT	1	
7	23811-354	BELT TIGHTENER	2	
9	28275-001	WASHER, FLAT	2	

# GASOLINE ENGINE JACKSHAFT ASSY.

GASOLINE ENGINE JACKSHAFT ASSY.



## **GASOLINE ENGINE JACKSHAFT ASSY.**

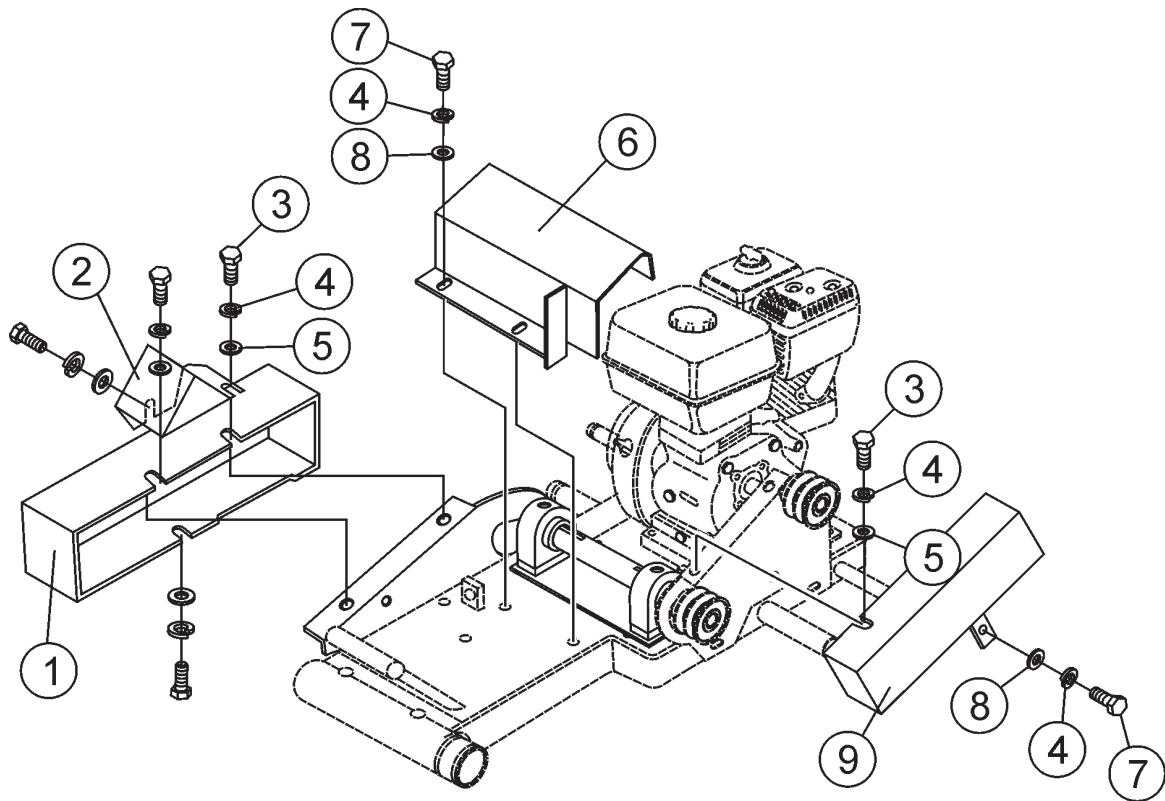
---

### GASOLINE ENGINE JACKSHAFT ASSY.

<u>NO.</u>	<u>PART NO.</u>	<u>PART NAME</u>	<u>QTY.</u>	<u>REMARKS</u>
1	28321-001	BEARINGS, PILLOW BLOCK	2	
2	28919-001	JACKSHAFT	1	
3	10057-011	KEY, SQUARE 1/4 X 1-1/4	3	
4	1162 A	CAP, GREASE ZERK #2 YLW	2	
5	2621	ZERK, GREASE STR 1/4-28	2	
6	1023	SCREW, HEX 3/8-16 x 1-1/4 IN.	4	
7	0166 A	WASHER, LOCK 3/8 IN.	4	
8	28275-001	WASHER, FLAT 3/8 IN.	4	
9	28844-001	SUPPORT PLATE, JACKSHAFT	1	
10	29005-351	BELT GUARD MOUNT	1	
11	28322-003	PULLEY, ENGINE/JACKSHAFT	2	
12	16193-006`	SCREW, SET 5/16-18 x 3/8 IN.	4	
13	16779-012	DRIVE BELT 3VX250	2	
14	29007-001	PULLEY, JACKSHAFT	1	
15	29008-001	BUSHING, SPLIT TYPE	1	
16	0424	SCREW, 1/4-20 X 1-1/4 IN.	3	
17	0131 A	SCREW, HHC 1/4 - 20 X 3/4 IN.	4	
18	0181 B	WASHER, LOCK 1/4 IN.	4	
19	0949	WASHER, FLAT 1/4 IN.	4	
20	28769-351	MOUNTING BRACKET, BELT GUARD	1	
21	16779-004	SPINDLE V-BELT 3VX375	2	
22	27058-001	SCREW, SQ. HD 3/8-16 x 2.50 IN.	2	
23	1456	NUT, HEX 3/8-16 IN.	2	

# GASOLINE ENGINE COVERS ASSY.

GASOLINE ENGINE COVERS ASSY.



## **GASOLINE ENGINE COVERS ASSY.**

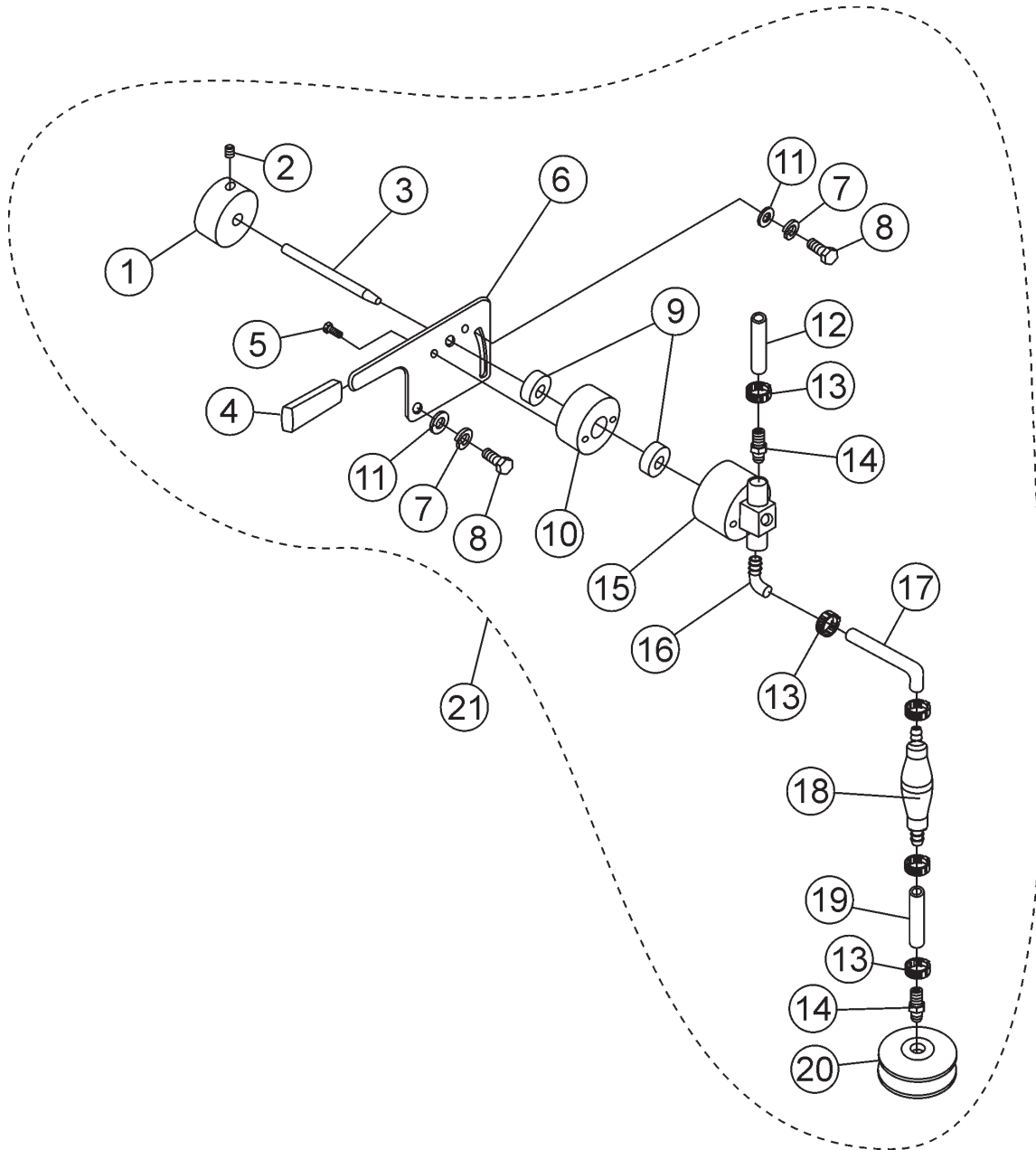
---

### GASOLINE ENGINE COVERS ASSY.

<u>NO.</u>	<u>PART NO.</u>	<u>PART NAME</u>	<u>QTY.</u>	<u>REMARKS</u>
1	28886-351	BELT GUARD, LEFT SIDE .....	1 .....	YELLOW
2	28178-351	COVER, WATER PUMP .....	1 .....	YELLOW
3	1579	SCREW, HEX 1/4-20 x 1/2	4	
4	0181 B	WASHER, LOCK 1/4 IN.	5	
5	0948	WASHER, FLAT 3/8 IN.	4	
6	28906-351	JACKSHAFT COVER .....	1 .....	YELLOW
7	0131 A	SCREW, HEX 1/4-20 x 3/4 IN.	2	
8	0181 B	WASHER, LOCK 1/4 IN.	2	
9	28928-351	BELT GUARD, JACKSHAFT .....	1 .....	YELLOW

# WATER PUMP ASSY. (GASOLINE ENGINES ONLY)

WATER PUMP ASSY. (GASOLINE ENGINES ONLY)



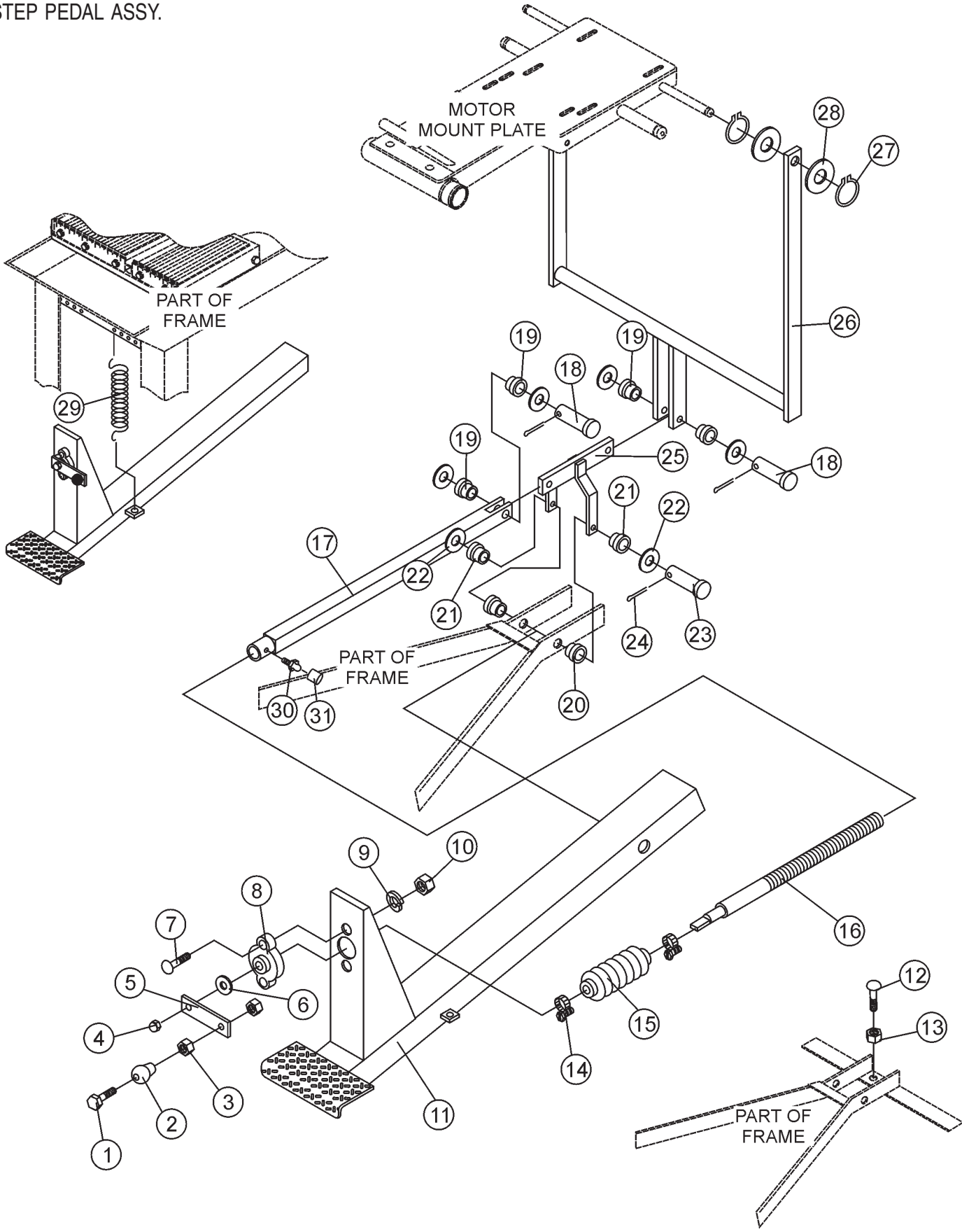
## WATER PUMP ASSY. (GASOLINE ENGINES ONLY)

### WATER PUMP ASSY. (GASOLINE ENGINES ONLY)

<u>NO.</u>	<u>PART NO.</u>	<u>PART NAME</u>	<u>QTY.</u>	<u>REMARKS</u>
1*	28917-002	PULLEY-WATER PUMP 2" IN.	1	
2*	10138	SCREW, SHS 1/4-20 X 1/2 IN.	4	
3*	28910-001	SHAFT, PUMP	1	
4*	3360	GRIP, PUMP HANDLE	1	
5*	10120-010	SCREW, RHM 1/4 - 20 X 5/8	2	
6*	28179-001	BRACKET, PUMP MOUNTING	1	
7*	0166 A	WASHER, LOCK, 3/8 IN.	2	
8*	0205	SCREW, HHC 3/8-16 X 1.0 IN.	2	
9*	09189-006	BEARING, BALL	2	
10*	28916-001	CAP, WATER PUMP	1	
11*	10136	WASHER, FLAT 3/8 IN.	2	
12*	60021	HOSE, BRAIDED PVC 3/8 x 5/8 IN. ....	2	CUT TO 24 IN.
13*	12694-001	HOSE CLAMP	4	
14*	25874-001	FITTING, PLASTIC STR 6 BARB	2	
15*	25802-001	HEAD, WATER PUMP	1	
16*	2925	FITTING, PLASTIC 90 6 BARB	1	
17*	60021	HOSE, BRAIDED PVC 3/8 x 5/8 IN. ....	3	CUT TO 32 IN.
18*	25875-001	BULB, PRIMER	1	
19*	60021	HOSE, BRAIDED PVC 3/8 x 5/8 IN. ....	1	CUT TO 8 IN.
20*	25685-001	STRAINER, INLET 3/8 IN.	1	
21	TRAK20WP	PUMP ASSY. ....	1	INCLUDES ITEMS W/*

# STEP PEDAL ASSY.

## STEP PEDAL ASSY.



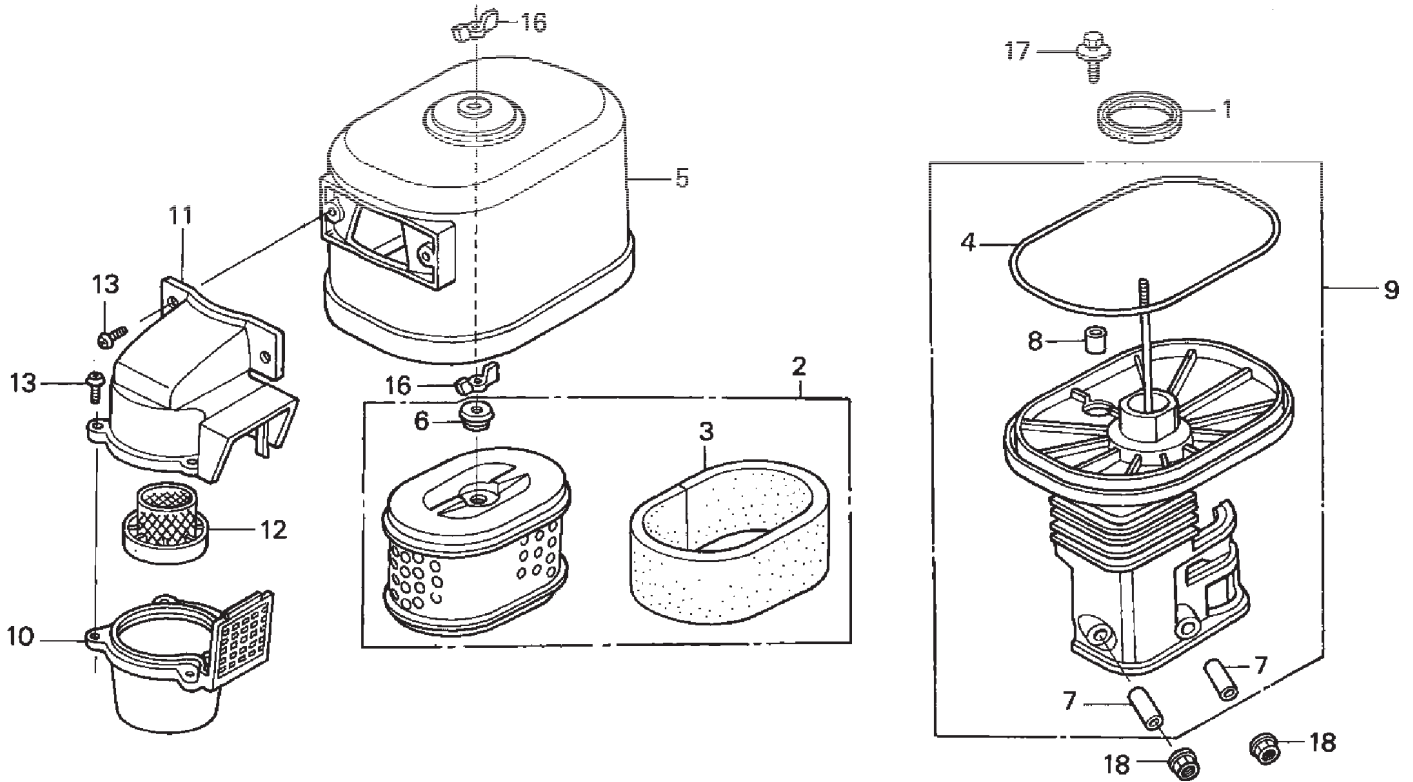
## STEP PEDAL ASSY.

### STEP PEDAL ASSY.

<u>NO.</u>	<u>PART NO.</u>	<u>PART NAME</u>	<u>QTY.</u>	<u>REMARKS</u>
1	06500-020	SCREW, HEX 5/16-18 x 2-1/2 IN.	1	
2	18637-001	KNOB	1	
3	0106	JAM NUT 5/16-18 IN.	2	
4	23860-001	ACORN NUT 1/2-13 IN.	1	
5	23768-001	HANDLE, BLADE HEIGHT ADJ.	1	
6	23730-001	WASHER, FLAT	1	
7	0424	SCREW, HEX 1/4-20 x 1-1/4 IN.	2	
8	23842-001	BEARING-FLANGED	1	
9	0181 B	WASHER, LOCK 1/4 IN.	2	
10	0949	NUT, HEX 1/4-20 IN.	2	
11	26976-351	FOOT PEDAL	1	
12	27017-001	BOLT, CARRIAGE 1/2-13 x 4 IN.	1	
13	968011	NUT, HEX 1/2-13	1	
14	14821-005	CLAMP	2	
15	23845-002	BELLOWS	1	
16	27076-001	ROD, BLADE HEIGHT ADJ.	1	
17	27018-351	PIVOT TUBE	1	
18	19974	CLEVIS PIN 1/2 DIA. x 1-1/2 IN.	2	
19	27025-001	BUSHING	4	
20	27024-002	BUSHING, FLANGED	2	
21	27024-001	BUSHING, FLANGED	2	
22	0447	WASHER, FLAT 1/2 IN.	6	
23	27079-002	CLEVIS PIN 1/2 DIA. x 5 IN.	1	
24	3216	COTTER PIN 1/8 DIA. x 7/8 IN.	3	
25	27012-351	PIVOT BRACKET, STEP PEDAL	1	
26	28957-351	PIVOT BRACKET, MOTOR PLATE	1	
27	10096-019	SNAP RING	4	
28	3264	WASHER, FLAT 1 IN.	4	
29	27028-001	EXTENSION SPRING	2	
30	2621	ZERK FITTING	1	
31	1162 A	CAP, GREASE ZERK #2 YLW	1	

# GX270QWH2 ENGINE — AIR CLEANER ASSY.

AIR CLEANER ASSY.



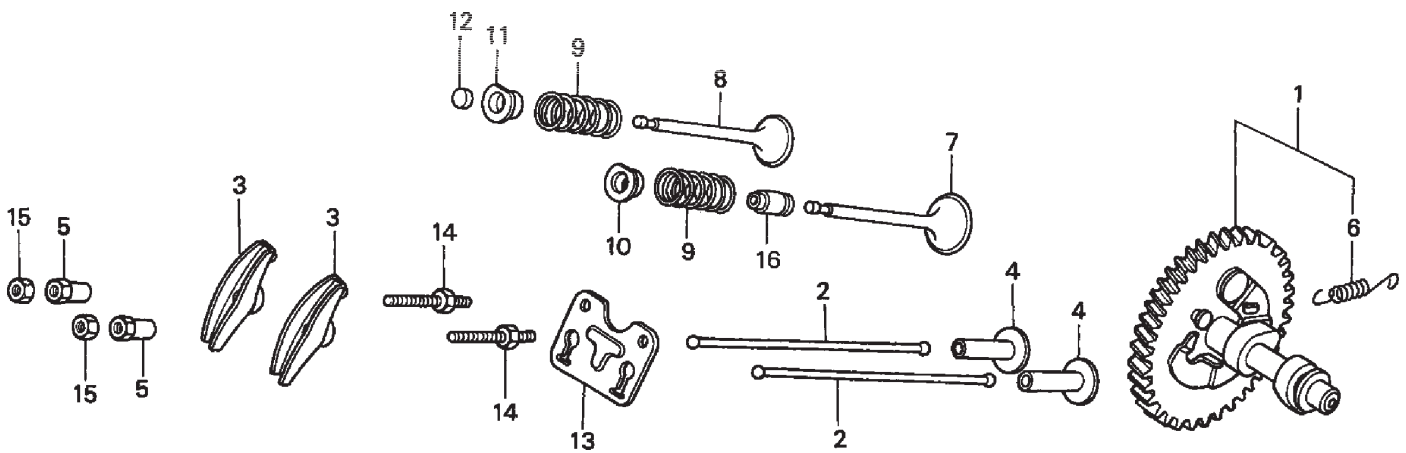
## GX270QWH2 ENGINE — AIR CLEANER ASSY.

AIR CLEANER ASSY.

<u>NO.</u>	<u>PART NO.</u>	<u>PART NAME</u>	<u>QTY.</u>	<u>REMARKS</u>
1	16271ZE2000	GASKET, ELBOW	1	
2	17210ZE3010	ELEMENT, AIR CLEANER .....	1	INCLUDES ITEMS W/\$
2	17210ZE3505	ELEMENT, AIR CLEANER .....	1	INCLUDES ITEMS W/\$
3\$	17218ZE3000	FILTER (OUTER)	1	
3\$	17218ZE3505	FILTER (OUTER)	1	
4*	17219HA2405	SEAL, AIR CLEANER COVER	1	
4*	17219KL4000	SEAL, AIR CLEANER COVER	1	
5	17230ZE3841	COVER, AIR CLEANER (CYCLONE)	1	
6\$	17232891000	GROMMET, AIR CLEANER	1	
7*	17238ZE2310	COLLAR, AIR CLEANER	2	
8*	17239ZE3840	COLLAR B, AIR CLEANER	1	
9	17410ZE3840	ELBOW, AIR CLEANER .....	1	INCLUDES ITEMS W/*
10	17470ZE3841	CASE, PRE AIR CLEANER	1	
11	17475ZE3841	CAP, PRE AIR CLEANER	1	
12	17476ZE3841	GUIDE, PRE AIR CLEANER	1	
13	90142MB0000	SCREW, PAN (5X16.5)	5	
16	90325044000	WINGNUT, TOOL BOX SETTING	2	
17	90009ZE2003	BOLT-WASHER (6X22)	1	
18	9405006000	NUT, FLANGE (6MM)	2	

# GX270QWH2 ENGINE — CAMSHAFT ASSY.

CAMSHAFT ASSY.



## **GX270QWH2 ENGINE — CAMSHAFT ASSY.**

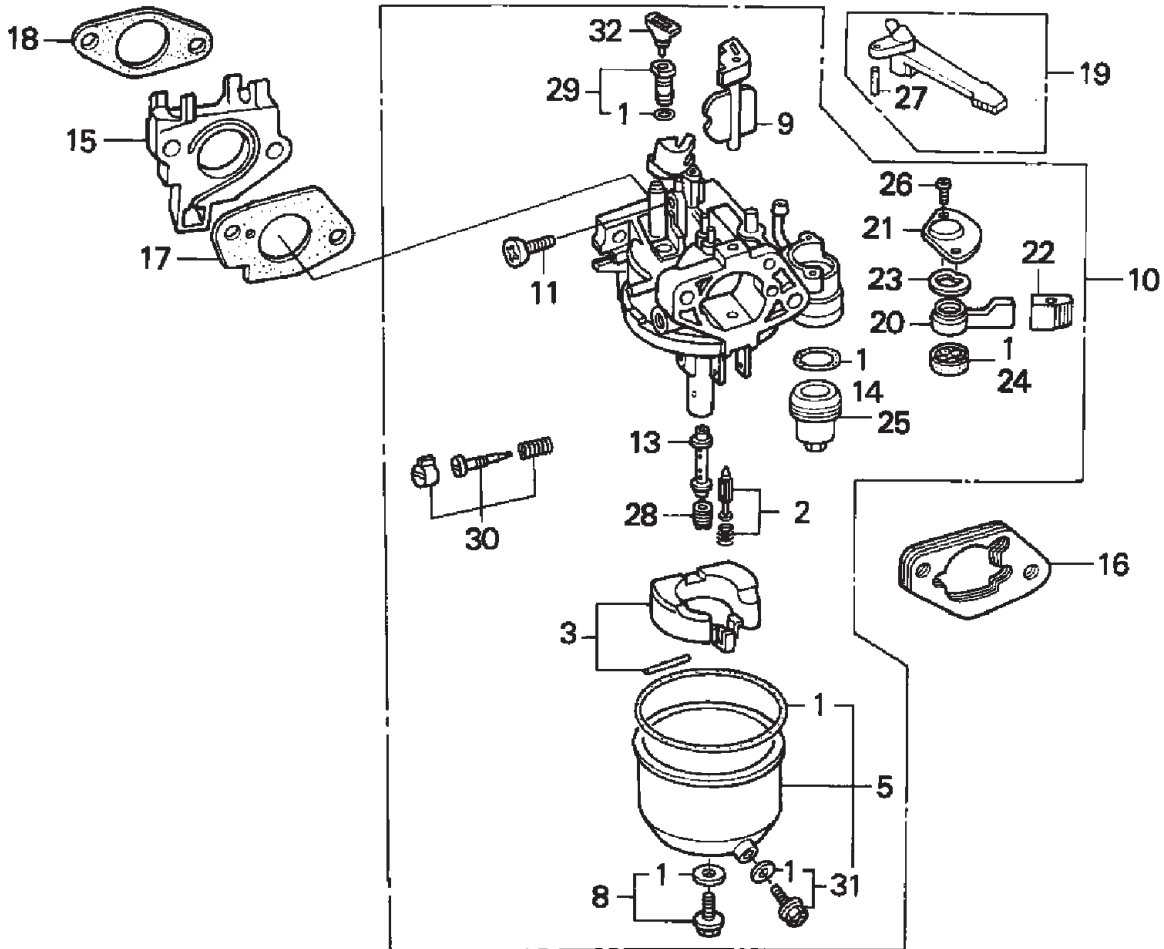
---

### CAMSHAFT ASSY.

<u>NO.</u>	<u>PART NO.</u>	<u>PART NAME</u>	<u>QTY.</u>	<u>REMARKS</u>
1	14100ZE3020	CAMSHAFT ASSY. ....	1	INCLUDES ITEMS W/*
2	14410ZE2013	ROD, PUSH	2	
3	14431ZE2010	ARM, VALVE ROCKER	2	
4	14441ZE2000	LIFTER, VALVE	2	
5	14451ZE1013	PIVOT, ROCKER ARM	2	
6*	14568ZE1000	SPRING, WEIGHT RETURN	1	
7	14711ZE2000	VALVE, IN.	1	
8	14721ZE2000	VALVE, EX.	1	
9	14751ZE2003	SPRING, VALVE	2	
10	14771ZE2000	RETAINER, IN. VALVE SPRING	1	
11	14773ZE2000	RETAINER, EX. VALVE SPRING	1	
12	14781ZE2000	ROTATOR, VALVE	1	
13	14791ZE2010	PLATE, PUSH ROD GUIDE	1	
14	90012ZE0010	BOLT, PIVOT (8MM)	2	
15	90206ZE1000	NUT, PIVOT ADJ.	2	
16	12209ZE8003	SEAL, VALVE STEM	1	

# GX270QWH2 ENGINE — CARBURETOR ASSY.

CARBURETOR ASSY.



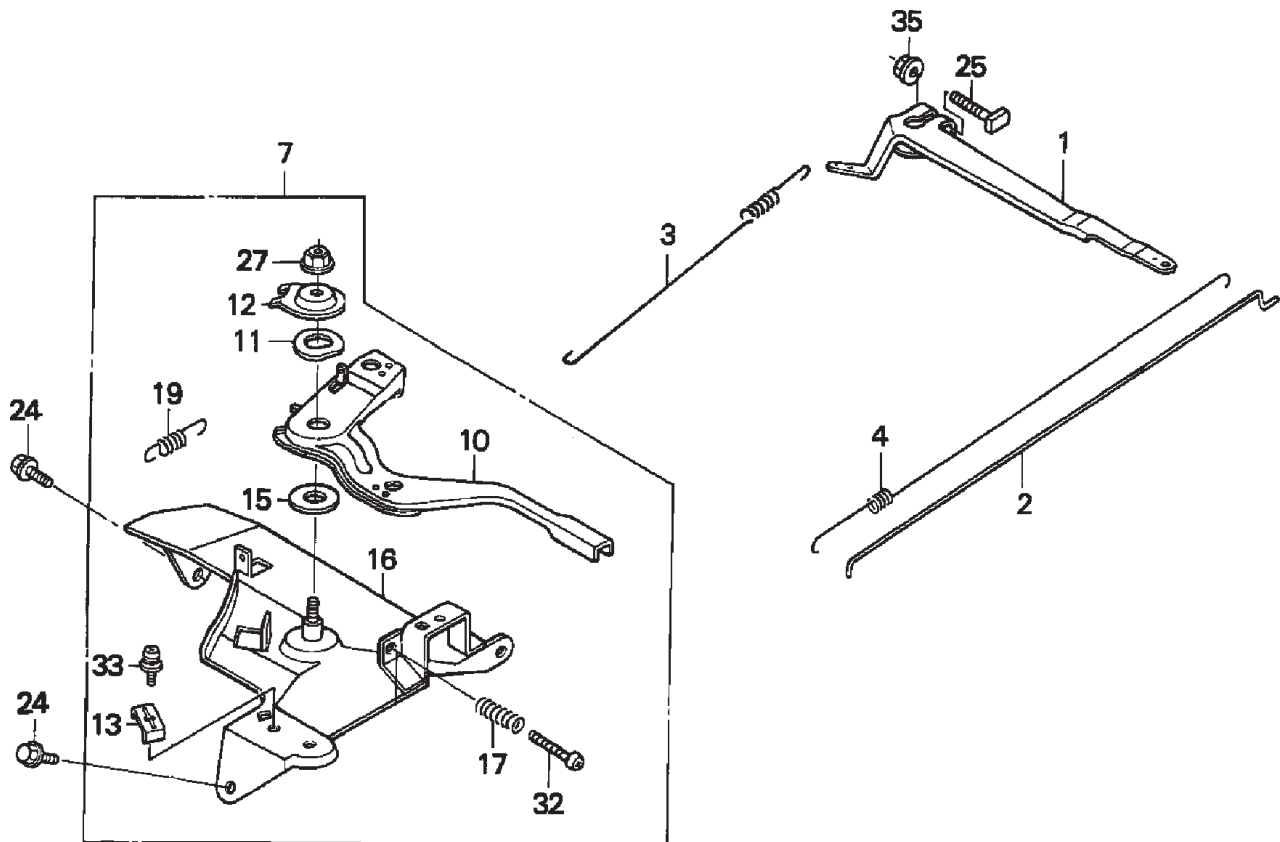
## GX270QWH2 ENGINE — CARBURETOR ASSY.

### CARBURETOR ASSY.

<u>NO.</u>	<u>PART NO.</u>	<u>PART NAME</u>	<u>QTY.</u>	<u>REMARKS</u>
1\$*	16010ZE2812	GASKET SET	1	
2*	16011ZA0931	VALVE SET, FLOAT	1	
3*	16013ZA0931	FLOAT SET	1	
*5	16015ZE8005	CHAMBER SET, FLOAT .....	1	INCLUDES ITEMS W/\$
8*	16028ZE0005	SCREW SET B	1	
9*	16044ZE2005	CHOKE SET	1	
10	16100ZH9W01	CARBURETOR ASSY. (BE75A B) .....	1	INCLUDES ITEMS W/*
11*	16124ZE0005	SCREW, THROTTLE STOP	1	
13*	16166ZH9W00	NOZZLE, MAIN	1	
14*	16173001004	GASKET, FUEL STRAINER CUP	1	
15	16211ZE2000	INSULATOR, CARBURETOR	1	
16	16220ZA0702	SPACER, CARBURETOR	1	
17	16221ZA0800	GASKET, CARBURETOR	1	
18	16223ZA0800	GASKET, INSULATOR	1	
19	16610ZE1000	LEVER, CHOKE (STD) .....	1	INCLUDES ITEMS W/+
20*	16953ZE1812	LEVER, VALVE	1	
21*	16954ZE1812	PLATE, LEVER SETTING	1	
23*	16956ZE1811	SPRING, VALVE LEVER	1	
24*	16957ZE1812	GASKET, VALVE	1	
25*	16967ZE0811	CUP, FUEL STRAINER	1	
26*	93500030060H	SCREW, PAN (3X6)	2	
27+	9430520122	PIN, SPRING (2X12)	1	
28	99101ZH80880	JET, MAIN (#88) (OPTIONAL)	1	
28	99101ZH80900	JET, MAIN (#90) (OPTIONAL)	1	
28*	99101ZH80920	JET, MAIN (#92)	1	
29*	99204ZE00350	JET SET, PILOT (#35)	1	
30*	16016ZH7W01	SCREW SET	1	
31\$*	16024ZE1811	SCREW SET, DRAIN	1	
32*	16172ZE3W10	COLLAR, SET	1	

# GX270QWH2 ENGINE — CONTROL ASSY.

CONTROL ASSY.



## **GX270QWH2 ENGINE — CONTROL ASSY.**

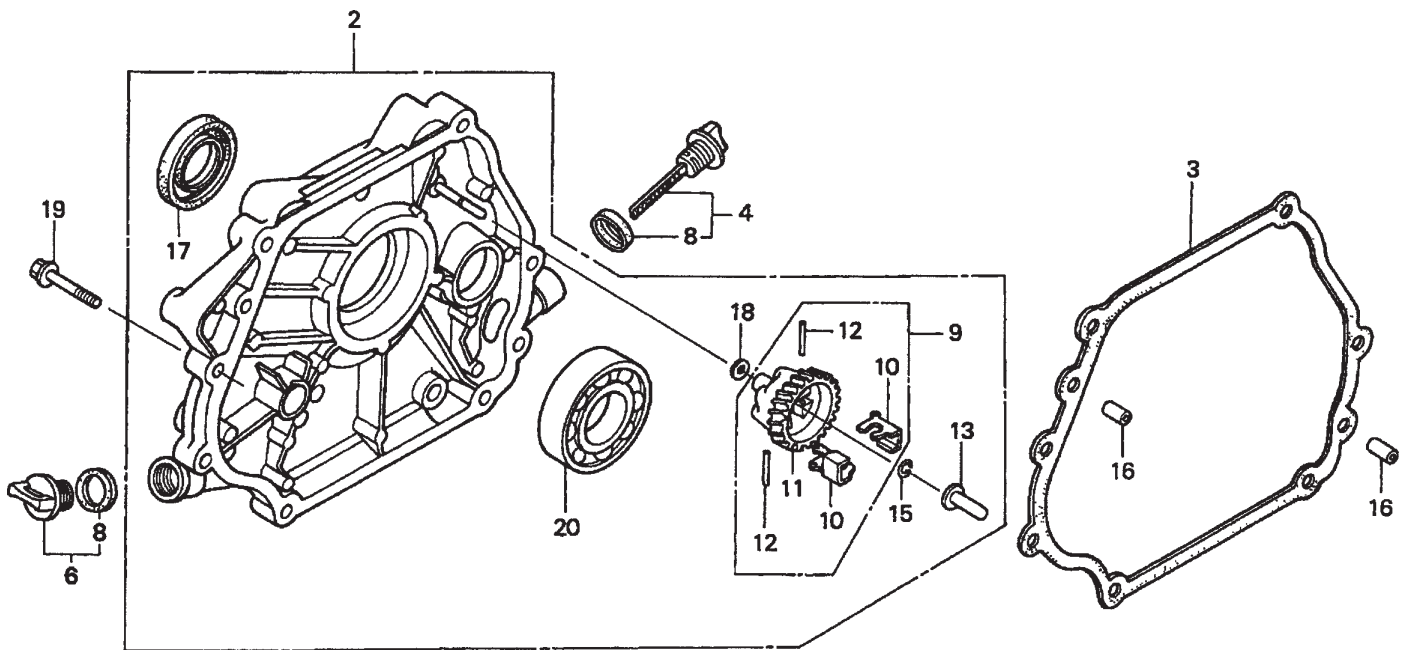
---

### CONTROL ASSY.

<u>NO.</u>	<u>PART NO.</u>	<u>PART NAME</u>	<u>QTY.</u>	<u>REMARKS</u>
1	16551ZE2000	ARM, GOVERNOR	1	
2	16555ZE2000	ROD, GOVERNOR	1	
3	16561ZE2000	SPRING, GOVERNOR	1	
4	16562ZE2000	SPRING, THROTTLE RETURN	1	
7	16570ZE2W20	CONTROL ASSY. (REMOTE)	1	INCLUDES ITEMS W/*
10*	16571ZE2W00	LEVER, CONTROL	1	
11*	16574ZE1000	SPRING, LEVER	1	
12*	16575ZE2W00	WASHER, CONTROL LEVER	1	
13*	16576891000	HOLDER, CABLE	1	
15*	16578ZE1000	SPACER, CONTROL LEVER	1	
16*	16581ZE2W00	BASE, CONTROL	1	
17*	16584883300	SPRING, CONTROL ADJUSTING	1	
19*	16592883310	SPRING, CABLE RETURN	1	
24	90013883000	BOLT, FLANGE (6X12) (CT200)	2	
25	90015ZE5010	BOLT, GOVERNOR ARM	1	
27*	90114SA0000	NUT, SELF-LOCK (6MM)	1	
32*	93500050280A	SCREW, PAN (5X28)	1	
33*	93500050160A	SCREW, PAN (5X16)	1	
35	9405006000	NUT, FLANGE (6MM)	1	

# GX270QWH2 ENGINE — CRANKCASE COVER ASSY.

CRANKCASE COVER ASSY.



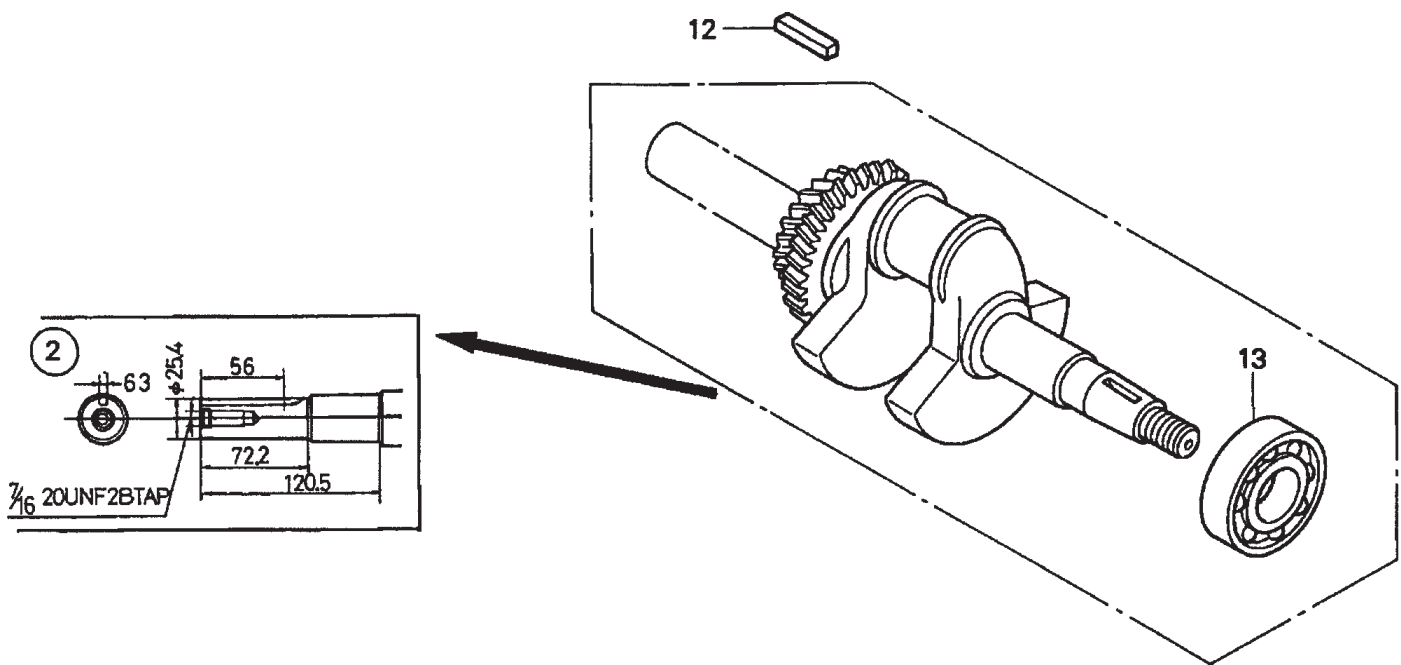
## GX270QWH2 ENGINE — CRANKCASE COVER ASSY.

### CRANKCASE COVER ASSY.

<u>NO.</u>	<u>PART NO.</u>	<u>PART NAME</u>	<u>QTY.</u>	<u>REMARKS</u>
2	11300ZE2602	COVER ASSY., CRANKCASE (Q-TYPE) .....	1 .....	INCLUDES ITEMS W/*
3	11381ZE2801	GASKET, CASE COVER .....	1 .....	INCLUDES ITEMS W/+
4	15600735003	CAP ASSY., OIL FILLER .....	1 .....	INCLUDES ITEMS W/+
6	15600ZG4003	CAP ASSY., OIL FILLER	1	
8+	15625ZE1003	GASKET, OIL FILLER CAP .....	2 .....	INCLUDES ITEMS W/\$
9*	16510ZE2000	GOVERNOR ASSY. (STD)	1	
10\$*	16511ZE2000	WEIGHT, GOVERNOR	2	
11\$*	16512ZE2000	HOLDER, GOVERNOR WEIGHT	1	
12\$*	16513ZE2000	PIN, GOVERNOR WEIGHT	2	
13*	16531Z0A000	SLIDER, GOVERNOR	1	
15*	90602ZE1000	CLIP, GOVERNOR HOLDER	1	
16	90701HC4000	PIN, DOWEL (8X12)	2	
17*	91201890003	OIL SEAL (30X46X8)	1	
18*	9410106800	WASHER, PLAIN (6MM)	1	
19	957010803500	BOLT, FLANGE (8X35)	7	
20*	961006206000	BEARING, RADIAL BALL (6206)	1	

# GX270QWH2 ENGINE — CRANKSHAFT ASSY.

CRANKSHAFT ASSY.



## **GX270QWH2 ENGINE — CRANKSHAFT ASSY.**

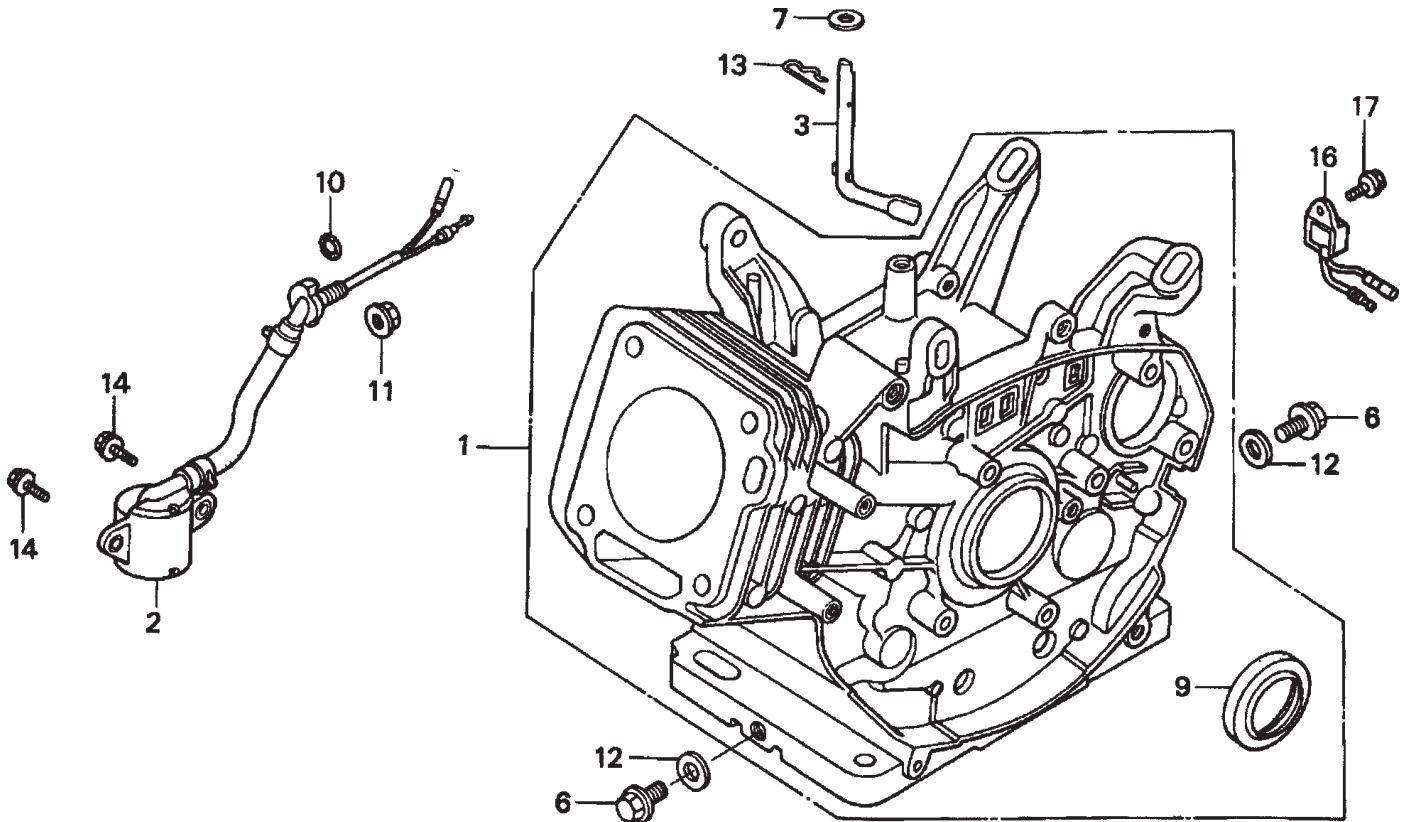
---

CRANKSHAFT ASSY.

<u>NO.</u>	<u>PART NO.</u>	<u>PART NAME</u>	<u>QTY.</u>	<u>REMARKS</u>
2	13310ZH9600	CRANKSHAFT (Q-TYPE).....	1 .....	INCLUDES ITEMS W/*
12	90745ZE2600	KEY (6.3X6.3X43)	1	
13*	91001ZH9003	BEARING, RADIAL BALL (6206 SH)	1	

# GX270QWH2 ENGINE — CYLINDER BARREL ASSY.

CYLINDER BARREL ASSY.



## **GX270QWH2 ENGINE — CYLINDER BARREL ASSY.**

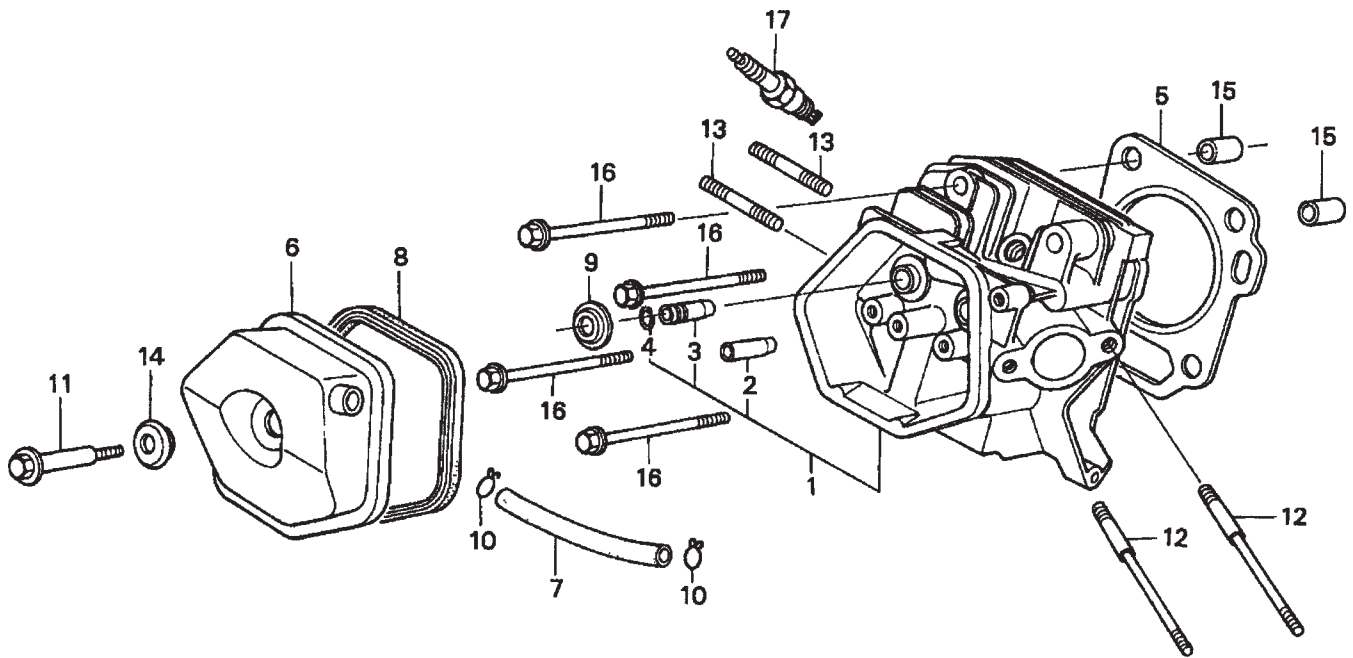
---

### CYLINDER BARREL ASSY.

<u>NO.</u>	<u>PART NO.</u>	<u>PART NAME</u>	<u>QTY.</u>	<u>REMARKS</u>
1	12000ZH9802	CYLINDER ASSY. (ALERT) .....	1 .....	INCLUDES ITEMS W/*
2	15510ZE2043	SWITCH ASSY., OIL LEVER	1	
3	16541ZE2010	SHAFT, GOVERNOR ARM	1	
6	90131896650	BOLT, DRAIN PLUG	2	
7	90446KE1000	WASHER (8.2X17X0.8)	1	
9*	91201890003	OIL SEAL (30X46X8)	1	
10	91353671003	O-RING (13.5X1.5) (ARAI)	1	
11	9405010000	NUT, FLANGE (10MM)	1	
12	9410912000	WASHER, DRAIN PLUG (12MM)	2	
13	9425110000	PIN, LOCK (10MM)	1	
14	957010601200	BOLT, FLANGE (6X12)	2	
16	34150ZH7003	ALERT UNIT, OIL	1	
17	90013883000	BOLT, FLANGE (6X12) (CT200)	1	

# GX270QWH2 ENGINE — CYLINDER HEAD ASSY.

CYLINDER HEAD ASSY.



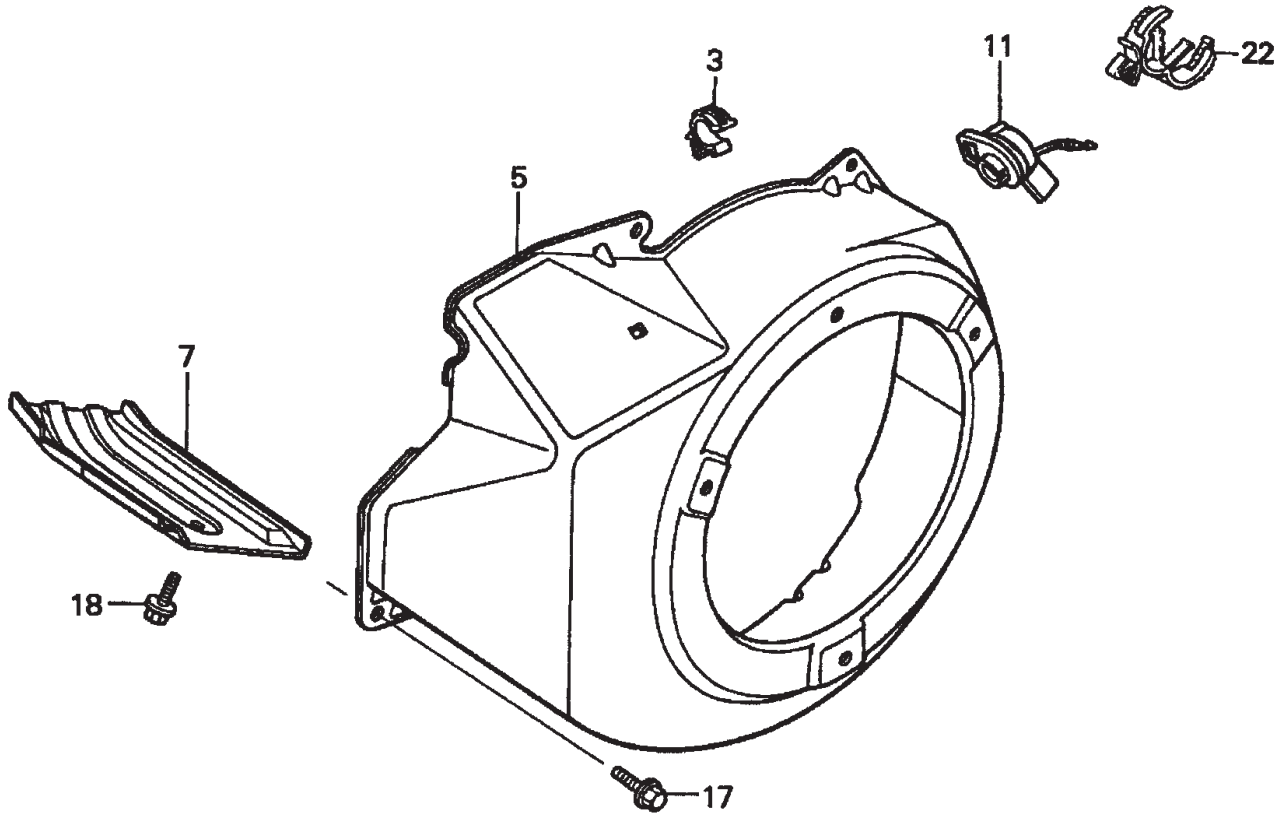
## GX270QWH2 ENGINE — CYLINDER HEAD ASSY.

### CYLINDER HEAD ASSY.

<u>NO.</u>	<u>PART NO.</u>	<u>PART NAME</u>	<u>QTY.</u>	<u>REMARKS</u>
1	12200ZH9000	CYLINDER HEAD .....	1	INCLUDES ITEMS W/*
2*	12204ZE2306	GUIDE, VALVE (OS) (OPTIONAL)	1	
3*	12205ZE2305	GUIDE, EX. VALVE (OS) (OPTIONAL)	1	
4*	12216ZE2300	CLIP, VALVE GUIDE	1	
5	12251ZH9000	GASKET, CYLINDER HEAD	1	
6	12310ZE3791	COVER, HEAD	1	
7	12315ZE3840	TUBE, BREATHER	1	
8	12391ZE2020	GASKET, CYLINDER HEAD COVER	1	
9	14775ZE2010	SEAT, VALVE SPRING	1	
10	17316611000	CLIP, BREATHER TUBE	2	
11	90014ZE2000	BOLT, HEAD COVER	1	
12	90042ZE2000	BOLT, STUD (8X123)	2	
13	92900080320E	BOLT 2, STUD (8X32)	2	
14	90441ZE2010	WASHER, HEAD COVER	1	
15	9430112200	PIN A, DOWEL (12X20)	2	
16	957011008000	BOLT, FLANGE (10X80)	4	
17	9807955846	SPARK PLUG (BPR5ES) (NGK) (OPTIONAL)	1	
17	9807955855	SPARK PLUG (W16EPR-U) (DENSO) (OPTIONAL)	1	
17	9807956846	SPARK PLUG (BPR6ES) (NGK)	1	
17	9807956855	SPARK PLUG (W20EPR-U) (DENSO)	1	

# GX270QWH2 ENGINE — FAN COVER ASSY.

FAN COVER ASSY.



## **GX270QWH2 ENGINE — FAN COVER ASSY.**

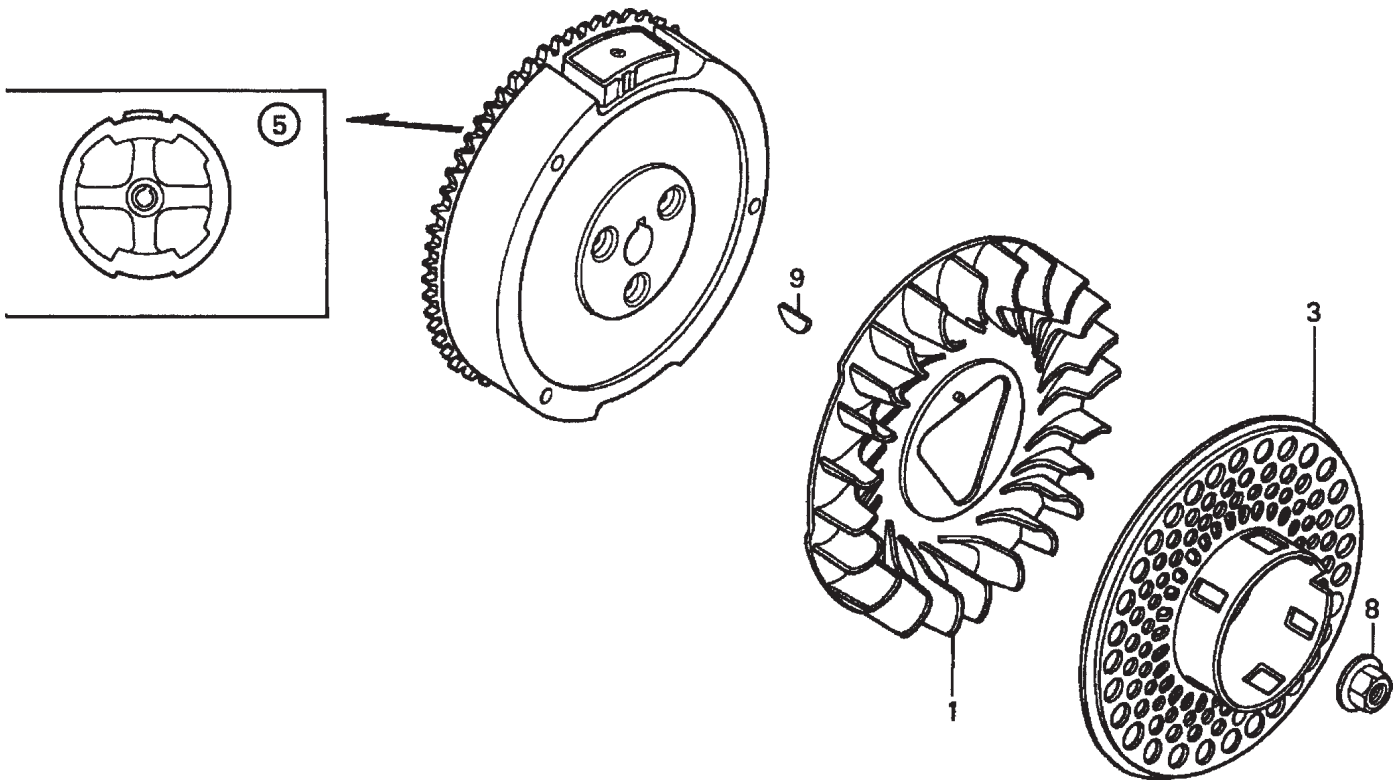
---

FAN COVER ASSY.

<u>NO.</u>	<u>PART NO.</u>	<u>PART NAME</u>	<u>QTY.</u>	<u>REMARKS</u>
3	16731ZE2003	CLIP, TUBE	1	
5	19610ZE2010ZC	COVER, FAN *NH1* (BLACK)	1	
7	19631ZE2D00	SHROUD	1	
11	36100ZH7003	SWITCH ASSY., ENGINE STOP	1	
17	90013883000	BOLT, FLANGE (6X12) (CT200)	5	
18	90013883000	BOLT, FLANGE (6X12) (CT200)	1	
22	90684ZA0601	CLIP, WIRE	1	

# GX270QWH2 ENGINE — FLYWHEEL ASSY.

FLYWHEEL ASSY.



## **GX270QWH2 ENGINE — FLYWHEEL ASSY.**

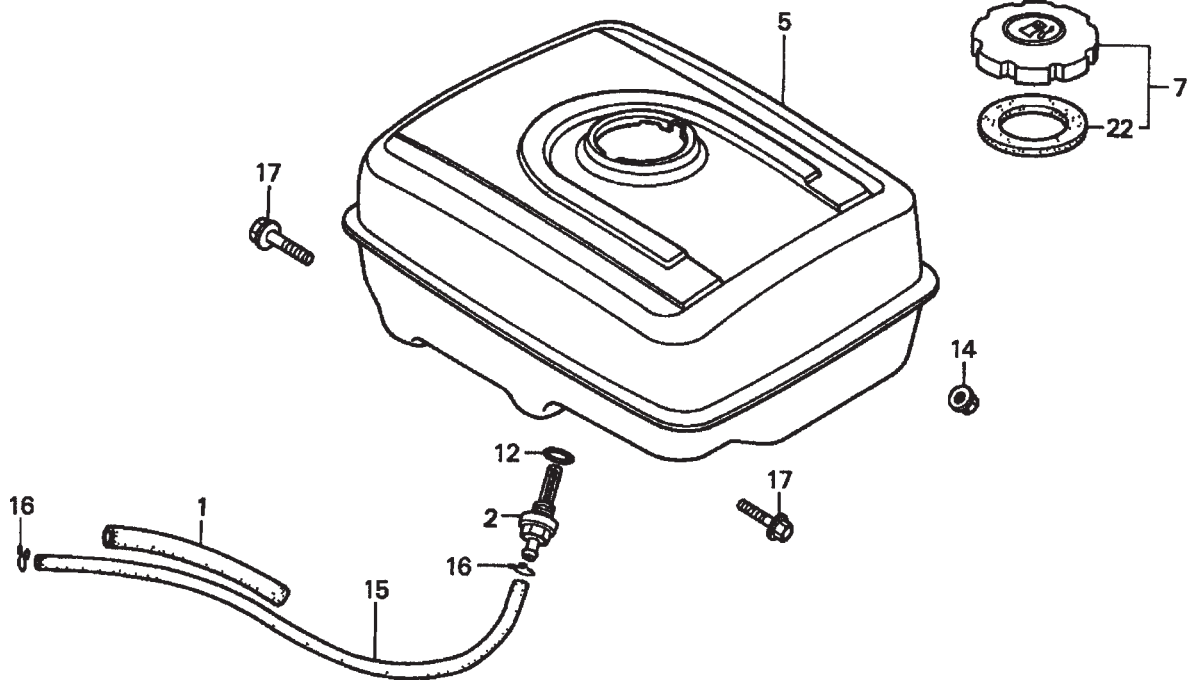
---

FLYWHEEL ASSY.

<u>NO.</u>	<u>PART NO.</u>	<u>PART NAME</u>	<u>QTY.</u>	<u>REMARKS</u>
1	19511ZE2000	FAN, COOLING	1	
3	28450ZE2W11	PULLEY, STARTER (SCREEN GRID)	1	
5	31100ZE2010	FLYWHEEL	1	
8	90201ZE3V00	NUT, SPECIAL (16MM) (1)	1	
9	90741ZE2000	KEY, SPECIAL WOODRUFF (25X18)	1	

# GX270QWH2 ENGINE — FUEL TANK ASSY.

FUEL TANK ASSY.



## **GX270QWH2 ENGINE — FUEL TANK ASSY.**

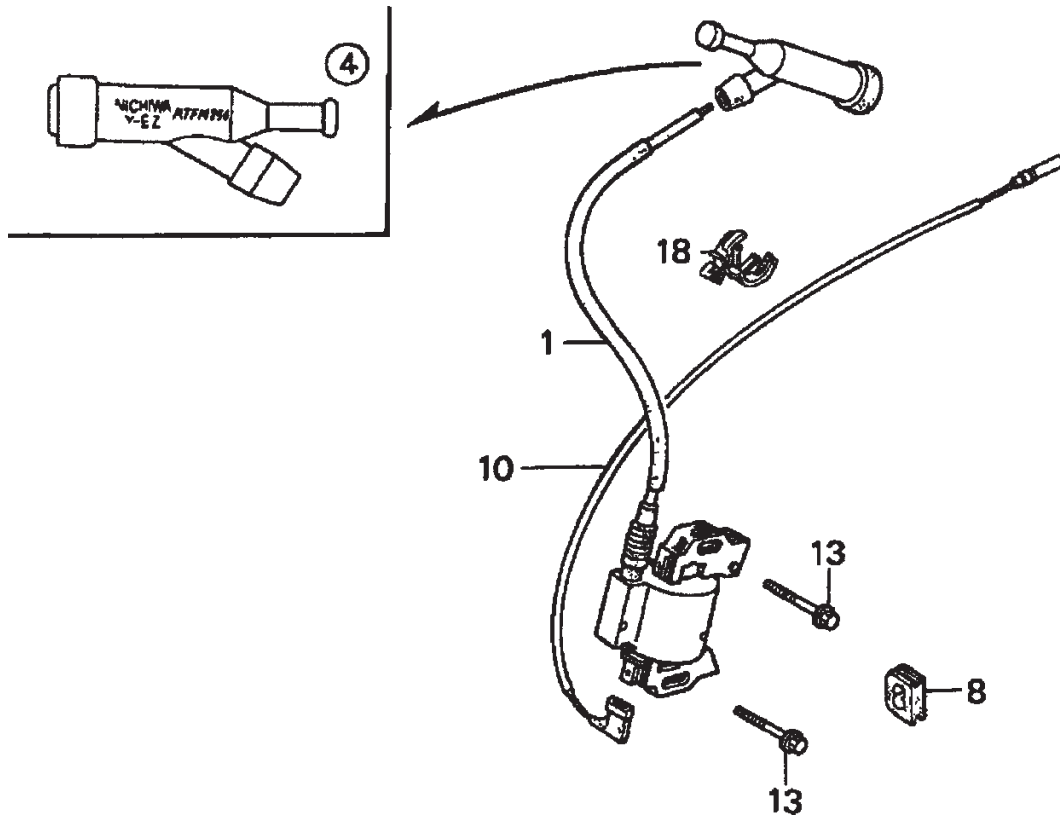
---

### FUEL TANK ASSY.

<u>NO.</u>	<u>PART NO.</u>	<u>PART NAME</u>	<u>QTY.</u>	<u>REMARKS</u>
1	16854ZH8000	RUBBER, SUPPORTER (107MM)	1	
2	16955ZE1000	JOINT, FUEL TANK	1	
5	17510ZE2010ZD	TANK, FUEL *NH1* (BLACK)	1	
7	17620ZH7023	CAP, FUEL FILLER .....	1.....	INCLUDES ITEMS W/*
12	91353671003	O-RING (13.5X1.5) (ARAI)	1	
14	9405008000	NUT, FLANGE (8MM)	2	
15	950014500360M	BULK HOSE, FUEL (4.5X3000) (4.5X222)	1	
16	9500202080	CLIP, TUBE (B8)	2	
17	957010802500	BOLT, FLANGE (8X25)	2	
22	17631ZH7003	GASKET, FUEL FILLER CAP	1	

# GX270QWH2 ENGINE — IGNITION COIL ASSY.

IGNITION COIL ASSY.



## **GX270QWH2 ENGINE — IGNITION COIL ASSY.**

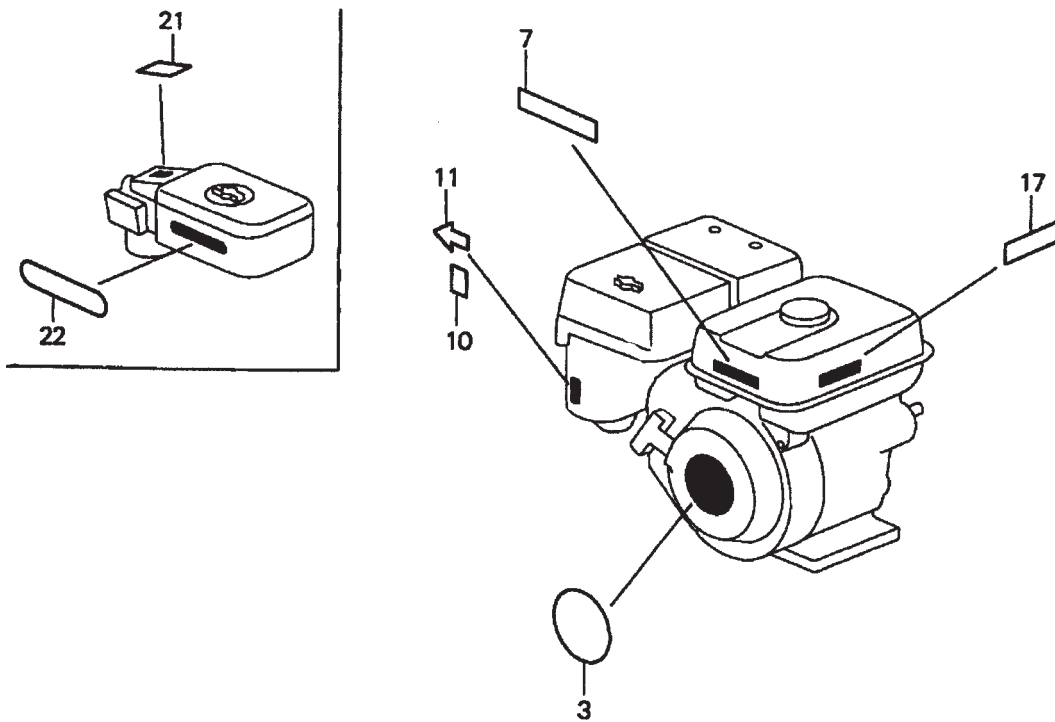
---

### IGNITION COIL ASSY.

<u>NO.</u>	<u>PART NO.</u>	<u>PART NAME</u>	<u>QTY.</u>	<u>REMARKS</u>
1	30500ZF6W02	COIL ASSY., IGNITION	1	
4	30700ZE1013	CAP ASSY., NOISE SUPPRESSOR	1	
8	31512ZE2000	GROMMET, WIRE	1	
10	36101ZE1010	WIRE, STOP SWITCH (370MM)	1	
13	90015883000	BOLT, FLANGE (6X28)	2	
18	90684ZA0601	CLIP, WIRE HARNESS	1	

# GX270QWH2 ENGINE — LABELS ASSY.

LABELS ASSY.



## **GX270QWH2 ENGINE — LABELS ASSY.**

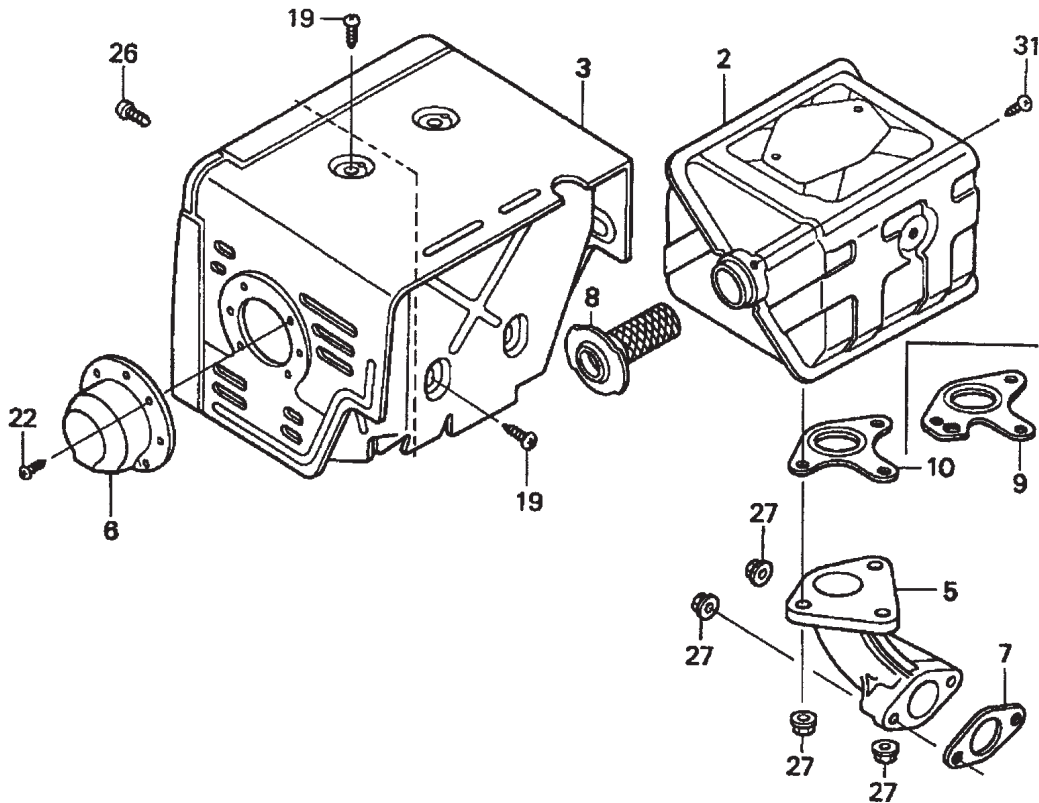
---

LABELS ASSY.

<u>NO.</u>	<u>PART NO.</u>	<u>PART NAME</u>	<u>QTY.</u>	<u>REMARKS</u>
3	87521ZH9020	EMBLEM (INTERNAL)	1	
7	87522ZH9010	LABEL, CAUTION	1	
10	87528ZE2810	MARK, CHOKE (EXTERNAL)	1	
17	87532ZH8810	MARK, OIL ALERT (E)	1	
21	87534ZE1841	LABEL, AIR CLEANER CAUTION	1	
22	87535ZE1840	MARK, AIR CLEANER SALES POINT	1	

# GX270QWH2 ENGINE — MUFFLER ASSY.

MUFFLER (2) ASSY.



## **GX270QWH2 ENGINE — MUFFLER ASSY.**

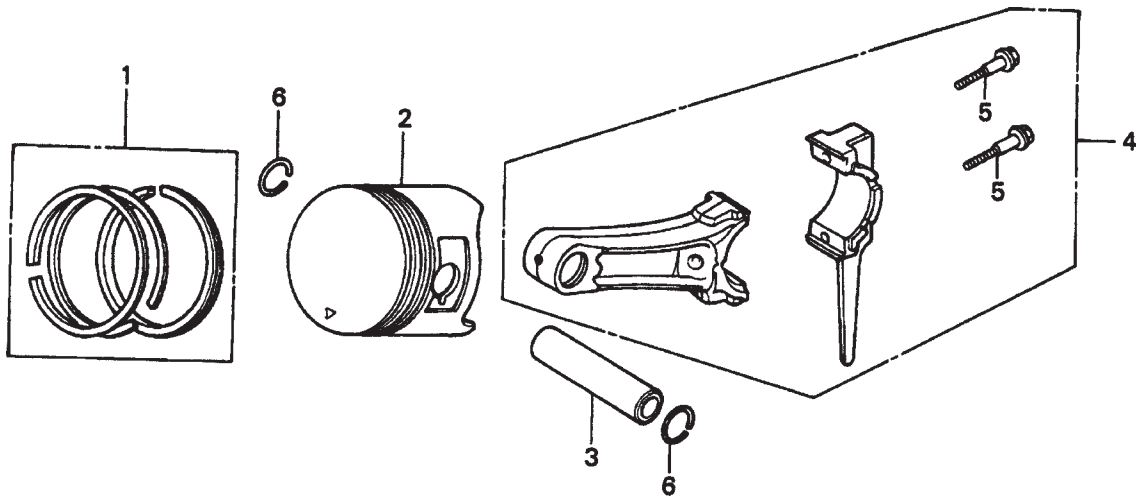
---

### MUFFLER ASSY.

<u>NO.</u>	<u>PART NO.</u>	<u>PART NAME</u>	<u>QTY.</u>	<u>REMARKS</u>
2	18310ZE2W61	MUFFLER (100DB)	1	
3	18320ZE2W61	PROTECTOR, MUFFLER	1	
5	18330ZH9N00	PIPE, EX.	1	
6	18331ZE2810	CAP, MUFFLER	1	
7	18333ZF6W01	GASKET, EX. PIPE	1	
8	18355ZE2W00	ARRESTER, SPARK (OPTIONAL)	1	
9	18381ZE2W10	GASKET, MUFFLER (ARRESTER) (OPTIONAL)	1	
10	18381ZE2800	GASKET, MUFFLER	1	
19	90050ZE1000	SCREW, TAPPING (5X8)	4	
22	90055ZE1000	SCREW, TAPPING (4X6)	3	
26	90006ZE2000	SCREW, TAPPING (6X10)	1	
27	9405008000	NUT, FLANGE (8MM)	5	
31	90055ZE1000	SCREW, TAPPING (4X6) (OPTIONAL)	1	

# GX270QWH2 ENGINE — PISTON ASSY.

PISTON ASSY.



## GX270QWH2 ENGINE — PISTON ASSY.

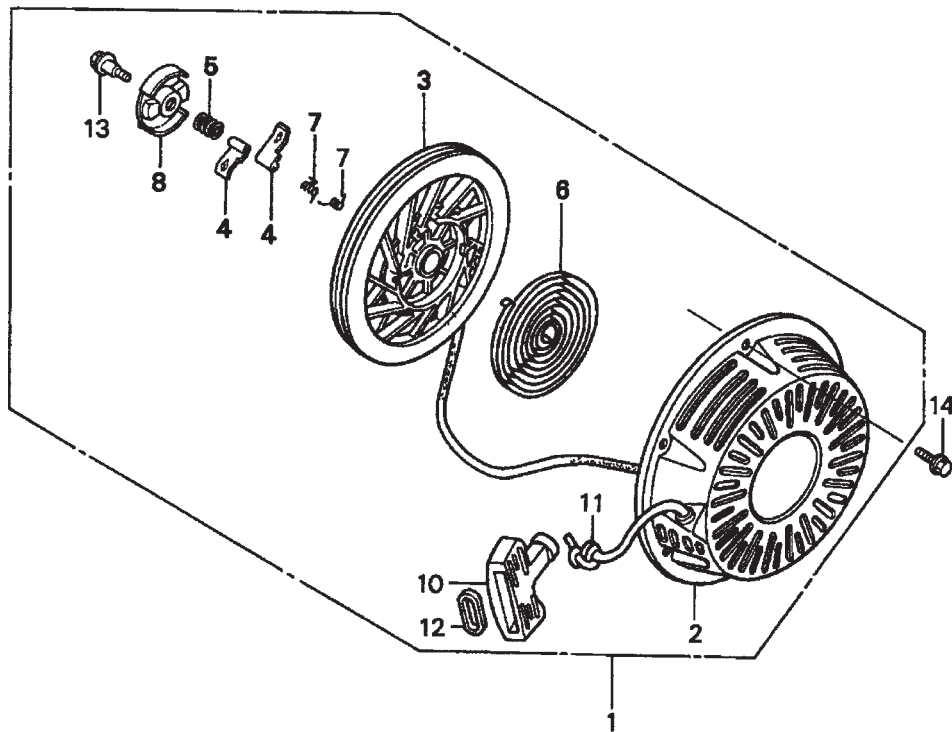
---

PISTON ASSY.

<u>NO.</u>	<u>PART NO.</u>	<u>PART NAME</u>	<u>QTY.</u>	<u>REMARKS</u>
1	13010ZE8601	RING SET, PISTON (STD)	1	
1	13011ZE8601	RING SET, PISTON (OS 0.25) (OPTIONAL)	1	
1	13012ZE8601	RING SET, PISTON (OS 0.50) (OPTIONAL)	1	
1	13013ZE8601	RING SET, PISTON (0.75) (OPTIONAL)	1	
2	13101ZH9000	PISTON (STD)	1	
2	13102ZH9000	PISTON (OS 0.25) (OPTIONAL)	1	
2	13103ZH9000	PISTON (OS 0.50) (OPTIONAL)	1	
2	13104ZH9000	PISTON (0.75) (OPTIONAL)	1	
3	13111ZE2000	PIN, PISTON	1	
4	13200ZE2010	ROD ASSY., CONNECTING (STD) .....	1	INCLUDES ITEMS W/*
4	13200ZE2305	ROD ASSY., CONNECTING (US 0.25) (OPTIONAL) .....	1	INCLUDES ITEMS W/*
5*	90001ZE8000	BOLT, CONNECTING ROD	2	
6	90551ZE1000	CLIP, PISTON PIN (18MM)	2	

# GX270QWH2 ENGINE — RECOIL STARTER ASSY.

RECOIL STARTER ASSY.



## **GX270QWH2 ENGINE — RECOIL STARTER ASSY.**

---

### RECOIL STARTER ASSY.

<b><u>NO.</u></b>	<b><u>PART NO.</u></b>	<b><u>PART NAME</u></b>	<b><u>QTY.</u></b>	<b><u>REMARKS</u></b>
1	28400ZE2W01ZB	STARTER ASSY., RECOIL *NH1* (BLACK) .....	1 .....	INCLUDES ITEMS W/*
2*	28410ZE2W01ZB	CASE, RECOIL STARTER *NH1* (BLACK)	1	
3*	28421ZE2W01	PULLEY, RECOIL STARTER	1	
4*	28422ZE2W01	RATCHET, STARTER	2	
5*	28441ZE2W01	SPRING, FRICTION	1	
6*	28442ZE2W01	SPRING, STARTER RETURN	1	
7*	28443ZE2W01	SPRING, RATCHET	2	
8*	28444ZE2W01	RETAINER, SPRING	1	
10*	28461ZE2W02	GRIP, STARTER	1	
11*	28462ZE2W11	ROPE, RECOIL STARTER	1	
13*	90004ZE2W01	SCREW, CENTER	1	
14	90008ZE2003	BOLT, FLANGE (6X10)	3	