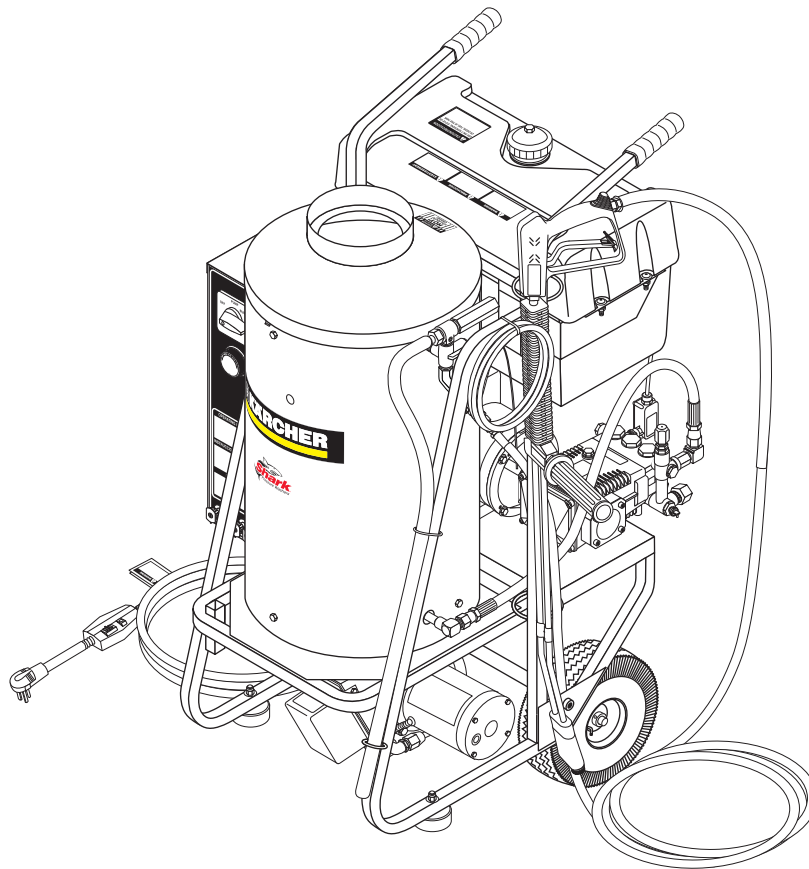


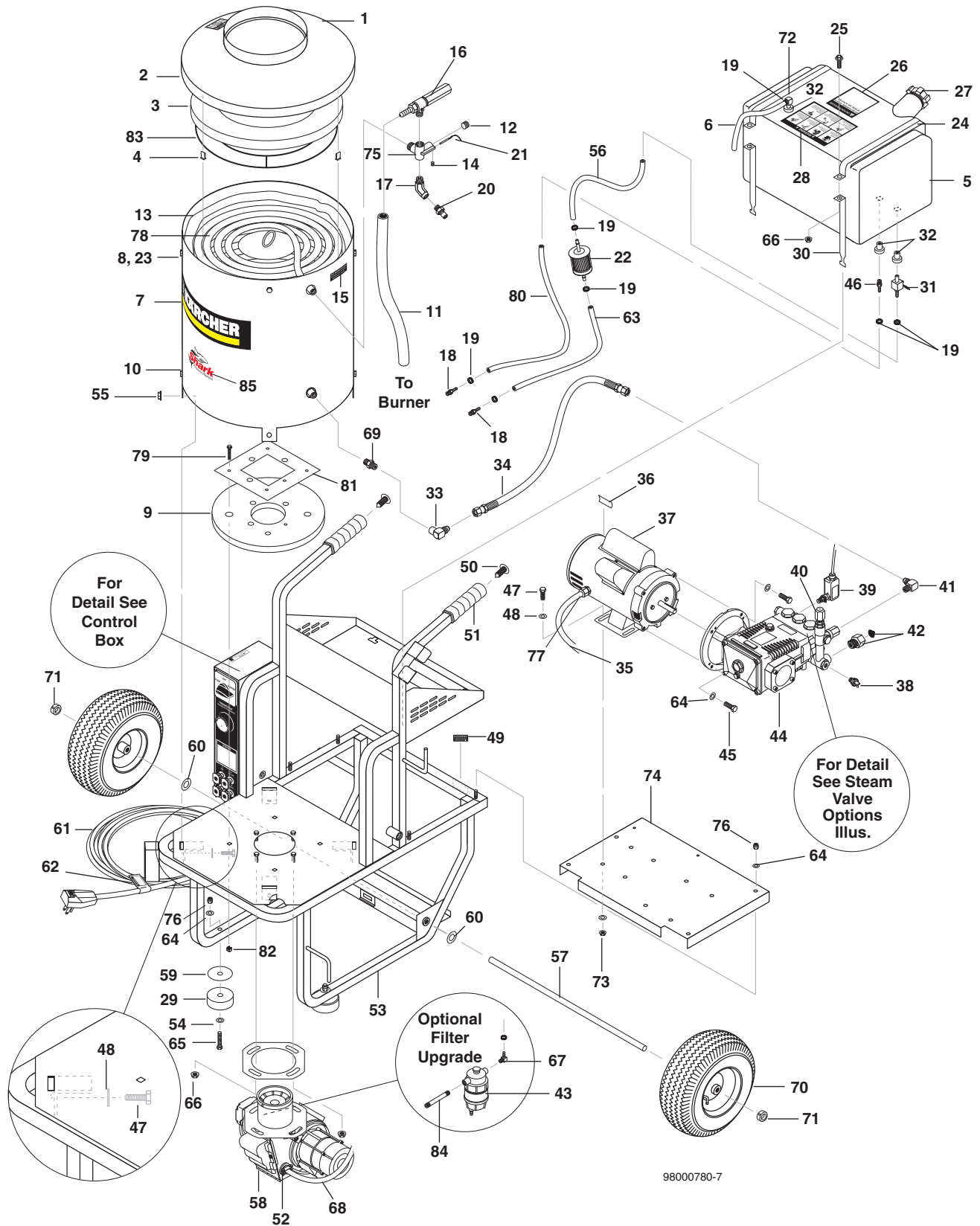


# OPERATOR'S MANUAL



<u>MODEL #</u>	<u>ORDER #</u>	<u>MODEL #</u>	<u>ORDER #</u>
HDS 2.0/10 Ed Cage / HPB-201107D	1.575-500.0	HDS 3.9/20 Eb Cage / HPB-392007B	1.575-506.0
HDS 2.0/14 Ed Cage / HPB-201407D	1.575-501.0	HDS 3.9/20 Ec Cage / HPB-392007C	1.575-507.0
HDS 2.5/10 Ed Cage / HPB-251007D	1.575-502.0	HDS 3.5/30 Ea Cage / HPB-353007A	1.575-508.0
HDS 2.5/16 Ea Cage / HPB-251607A	1.575-503.0	HDS 3.5/30 Eb Cage / HPB-353007B	1.575-509.0
HDS 3.5/20 Ea Cage / HPB-352007A	1.575-504.0	HDS 3.5/30 Ec Cage / HPB-353007C	1.575-510.0
HDS 3.9/20 Ea Cage / HPB-392007A	1.575-505.0		

# EXPLODED VIEW - 1.575-500.0



## EXPLODED VIEW - 1.575-500.0 PARTS LIST

ITEM	PART NO.	DESCRIPTION	QTY	ITEM	PART NO.	DESCRIPTION	QTY
1	9.800-006.0	Label, Hot/Caliente w/Arrows Warning	1	39	9.802-458.0	Switch, Pressure N/O, 1/4" NPT SS	1
2	9.803-029.0	Tank Head Assy	1	40	For Unloader Details, Please See Specifications Pages.		
3	9.802-904.0	Insulation, Top Head	1	41	9.802-039.0	Elbow, 1/2" JIC x 3/8" MPT	1
4	9.802-825.0	Clip, Retaining U-Type	4	42	9.802-146.0	Swivel, 1/2" MP x 3/4" GHF, w/Strainer	1
5	9.802-081.0	Tank, Fuel 6 Gal Blank	1	43	8.725-306.0	Filter, Fuel Oil H <sub>2</sub> O	1
6	9.802-254.0	Hose, 1/4", Push-On, Fuel Line	12"	44	For Pump Details, Please See Specifications Pages.		
7	9.800-110.0	Label, Logo, Large	1	45	9.802-720.0	Bolt, 3/8" x 1", NC HH	4
8	9.802-753.0	Screw, 1/4" x 3/4" HH NC, Whiz Loc	4	46	9.802-141.0	Hose Barb, 1/4" x 3/8" Double	1
9	9.802-900.0	Insulation, Bottom	1	47	8.718-618.0	Bolt, 5/16" x 3/4" NC GR 5 CS ZN	8
10	8.933-028.0	Coil Wrap, SS	1	48	8.718-980.0	Washer, 5/16", Flat, SAE	12
11	8.711-785.0	Hose, 3/8" Push-On	30"	49	9.718-980.0	Label, Cold Water Inlet, HS	1
12	8.706-248.0	Plug, 3/8"	1	50	9.802-107.0	Fastener, Ratchet, Black Nylon	2
13	9.802-908.0	Insulation, Blanket	1	51	9.802-070.0	Grip, 1" Square, Handle	2
14	9.196-012.0	Screw, 10-24 x 1/4"	1	52	9.802-519.0	Strain Relief, 1/2" Metal 2 Screw	1
15	9.800-021.0	Label, Hot Water Outlet	1	53	9.803-090.0	Assembly, Frame	1
16	8.902-433.0	Valve, Safety Relief	1	54	9.802-817.0	Washer, 3/8" x 1"	2
17	9.802-041.0	Elbow, 3/8" Street 45°	1	55	9.802-778.0	Nut, Whiz Loc 5/16	4
18	8.706-941.0	Hose Barb, 1/4" Barb x 1/4" ML Pipe	2	56	9.802-254.0	Hose, 1/4" Push-On	21"
19	6.390-126.0	Clamp, Hose, .46-, .54	7	57	9.803-096.0	Axle, 5/8" x 22"	1
20	9.802-171.0	Nipple, 3/8" x 3/8" NPT ST Male	1	58	For Burner, Please See Specifications Pages.		
21	8.750-094.0	Thermostat 150C/ 302F	1	59	9.802-819.0	Washer, 7/16" x 2-1/2", Zinc, PG Foot 2	2
22	8.709-152.0	Filter, Fuel, Disposable	1	60	9.802-810.0	Washer, 5/8", Flat, SAE	2
23	9.802-793.0	Nut, Cage, 1/4" x 16 Gauge	4	61	9.802-431.0	GFCI, 120V 20A, w/36' 12-3 Cord	1
24	9.803-092.0	Fuel Strap, Long, Black	2	62	8.932-969.0	Label, Warning, Service Cord	1
25	9.802-767.0	Screw, 3/8" x 3/4" HH NC, Whiz Loc	2	63	9.802-254.0	Hose, 1/4" Push-On	6"
26	9.800-002.0	Label, Use Only Kerosene	1	64	9.802-807.0	Washer, 3/8", SAE, Flat	10
27	9.802-083.0	Cap, Non-Vented, Plastic	1	65	9.802-729.0	Bolt, 3/8" x 2-1/4", HH, GRD 5	2
28	9.800-041.0	Label, Warning, Pictorial	1	66	9.802-781.0	Nut, 3/8" Flange, Whiz Loc, NC	6
29	9.802-066.0	Pad, Soft Rubber, 50 DURO	2	67	8.706-958.0	Hose Barb, 1/4" Barb x 1/4" Pipe, 90°	1
30	9.803-093.0	Fuel Strap, Short, Black	2	68	9.802-424.0	Cord Service, SEO 16/4	58"
31	9.802-177.0	Valve, 1/4" Shut-Off	1	69	8.705-974.0	Nipple, 3/8 Hex	1
32	9.802-053.0	Bushing, Rubber, Nitrile	3				
33	9.802-042.0	Elbow, 1/2" JIC, 3/8" Female	1				
34	8.918-426.0	Hose, 3/8" x 32", 2 Wire, Pressure Loop	1				
35	9.802-428.0	Cord, Service, SEO, 12/3, Coleman	33"				
36	9.802-032.0	Label, Motor Overload Reset, Lexan	1				
37	For Motor Details, Please See Specifications Pages.						
38	9.804-025.0	Pump Protector, 1/4" 145°	1				

## EXPLODED VIEW - 1.575-500.0 PARTS LIST

ITEM	PART NO.	DESCRIPTION	QTY
70	9.802-270.0	Wheel & Tire Assy, 4" Steel Rim w/Tube	2
71	9.802-782.0	Collar, 5/8" Bore Shaft 3010	2
72	9.802-054.0	Elbow, Fuel Tank, Zinc	1
73	9.802-776.0	Nut, 5/16" ESNA, NC	4
74	9.803-067.0	Assy, Power Platform, Mini, Black	1
75	9.149-003.0	Manifold Coil Discharge	1
76	9.802-779.0	Nut, 3/8" ESNA, NC	6
77	9.802-514.0	Strain Relief Small 9.802-525.0 ▲ Lock Nut	1 1
78	9.803-095.0	Coil, Vertical Mini	1
79	9.802-768.0	Screw, 3/8" x 1-1/4" Whiz Loc	4
80	9.802-254.0	Hose, 1/4" Push-On	28"
81	9.803-030.0	Retainer Burner	1
82	9.802-792.0	Nut Cage, 3/8" x 12 gage	4
83	9.803-108.0	Retainer Ring, Insulation	1
84	9.803-264.0	Nipple, 1/4" x 3" Black Pipe	1
85	8.704-660.0	Label, Kärcher-Shark	1

▲ Not Shown



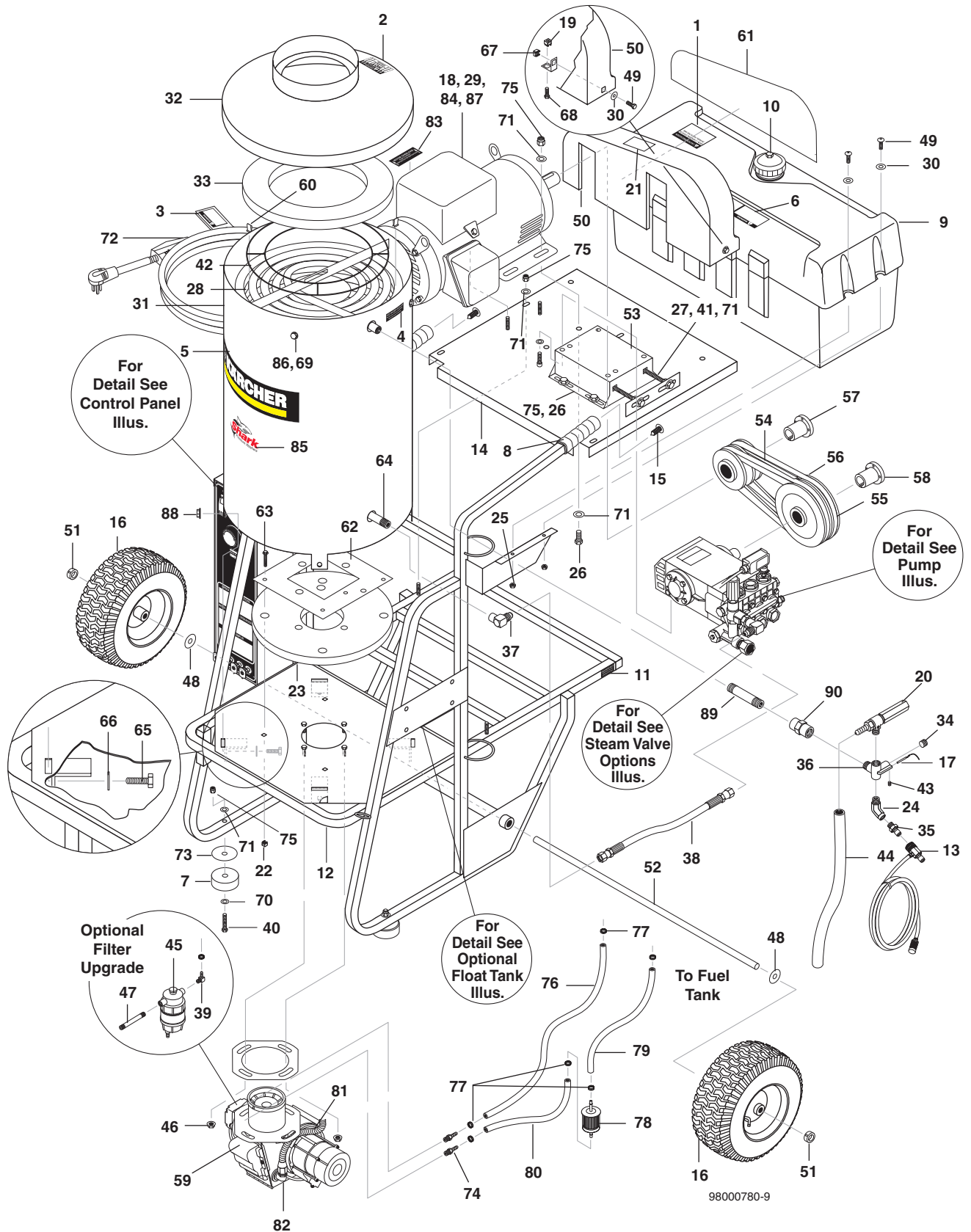
## EXPLODED VIEW - 1.575-501.0, 502.0, 503.0, 504.0

ITEM	PART NO.	DESCRIPTION	QTY	ITEM	PART NO.	DESCRIPTION	QTY
1	9.800-002.0	Label, Use Only Kerosene	1	32	9.802-043.0	Elbow, 1/2" JIC x 1/2" FM	1
2	9.800-006.0	Label, "Hot/Caliente" with Arrows Warning	1	33	9.802-458.0	Pressure Switch, 1/4"	1
3	8.932-969.0	Label, Warn, Service Cord	1	34	9.802-041.0	Elbow, 3/8" Street 45°	1
4	9.800-021.0	Label, Hot Water Outlet	1	35	9.802-039.0	Elbow, 1/2 JIC, 3/8" 90°	1
5	9.800-110.0	Label, Logo Large	1	36	9.802-171.0	Coupler Plug, 3/8" Male	1
6	9.800-035.0	Label, Warning (Lexan)	1	37	9.802-825.0	Clip, Retainer	5
7	For Motor, Please See Specifications Pages.			38	9.802-779.0	Nut, 3/8" ESNA	2
8	For Pump, Please See Specifications Pages.			39	9.802-807.0	Washer, 3/8" Flat	6
9	For Unloader, Please See Specifications Pages.			40	9.802-819.0	Washer, 3/8" x 2-1/2"	2
10	9.802-224.0	Downstream Injector Assy, Non-Adjust #2 (501.0, 502.0, 503.0)	1	41	9.802-729.0	Bolt, 3/8" x 2-1/4"	2
11	9.803-039.0	Frame, Black	1	42	8.902-433.0	Relief Valve USA	1
12	9.802-146.0	Swivel, 1/2" MP x 3/4" GHF w/Strainer	1	43	9.196-012.0	Screw, 10-24 x 1/4"	1
13	9.802-904.0	Insulation, Tank Head	1	44	8.711-785.0	Hose, 3/8", Push-On	30"
14	9.802-803.0	Washer, 1/4"	4	45	9.803-029.0	Tank Head Assy. 16" x 8"	1
15	9.802-448.0	Conduit, 25"	1	46	8.706-248.0	Plug, 3/8"	1
16	9.802-517.0	Connector 1/2" L/T 90° Black	1	47	9.803-061.0	Axle, 5/8" x 25.710	1
17	9.803-278.0	▲ Strain Relief, 3/4" w/Gasket (501.0, 502.0, 503.0)	1	48	9.802-782.0	Collar, 5/8"	2
	9.802-518.0	▲ Strain Relief 3/4" (504.0)	1	49	9.802-781.0	Nut, 3/8" Flange, Whiz Loc	4
18	9.802-526.0	▲ Lock Nut 3/8" (504.0)	1	50	8.918-425.0	Hose, 3/8" x 29", Press Loop	1
	9.802-525.0	▲ Locknut 1/2" (501.0, 502.0, 503.0)	1	51	Burner Assembly, See Burner Spec's Page		
19	9.803-134.0	Coil	1	52	9.803-030.0	Retainer, Burner Insulation	1
20	9.802-720.0	Bolt, 3/8" x 1"	4	53	9.802-900.0	Insulation, Tank Bottom, 1" Blanket	1
21	9.802-066.0	Pad, Soft Rubber, 50 Duro	2	54	9.802-817.0	Washer, 3/8" x 1"	2
22	9.802-070.0	Grip, 1" Square, Handle	2	55	8.718-980.0	Washer, 5/16", Flat	12
23	8.706-612.0	Tank Fuel, 9 Gallon Poly, Black	1	56	9.802-776.0	Nut, 5/16", ESNA	4
24	9.802-089.0	Cap, Fuel Tank Plastic H60-AV	1	57	9.802-792.0	Nut, Cage, 3/8" x 12 Gauge	4
25	9.802-270.0	Wheel & Tire, 4" Steel Rim w/Tube	2	58	8.915-908.0	Wrap, Outer Coil, SS	1
26	8.750-094.0	Thermostat 302°	1	59	9.802-778.0	Nut, Whiz Loc 5/16	4
27	8.718-618.0	Bolt, 5/16" x 3/4"	4	60	9.802-014.0	Nipple, 1/2" x 3", Galvanized	1
28	9.802-430.0	GFCI, 240V 1PH 30A w/36' 10-3 Cord (504.0)	1	61	9.803-108.0	Retainer Ring, Insulation	1
	9.802-431.0	GFCI, 120V, 20A w/36' 12-3 Cord (501.0, 502.0)	1	62	9.802-768.0	Screw, 3/8" x 1-1/4", Whiz Lock	4
	9.802-433.0	GFCI, 240V 1 PH 20A, w/36' 12-3 Cord (503.0)	1	63	9.802-770.0	Screw, 1/4" x 1"	4
29	9.804-025.0	Pump Protector, 1/4"	1	64	9.802-775.0	Nut, 1/4" Flange	4
30	9.800-020.0	Label, Cold Water Inlet HS	1	65	9.802-107.0	Fastener, Ratchet, Black Nylon	2
31	8.725.306.0	Filter, Fuel/Oil/H <sub>2</sub> O	1	66	9.802-810.0	Washer, 5/8" Flat	2
				67	9.800-032.0	Label, Motor Overload Reset	1
				68	6.390-126.0	Clamp, Hose, .46-, .54	6
				69	9.803-264.0	Nipple, 1/4" x 3"	1
				70	8.706-958.0	Hose Barb, 1/4" Barb x 1/4" Pipe, 90°	1
				71	9.149-003.0	Manifold Coil Discharge	1
				72	8.704-660.0	Label, Kärcher-Shark	1
				73	8.706-941.0	Hose Barb, 1/4" Barb x 1/4" ML Pipe	2

## EXPLODED VIEW - 1.575-501.0, 502.0, 503.0, 504.0

ITEM	PART NO.	DESCRIPTION	QTY
74	9.802-211.0	Filter, Diesel Fuel	1
75	9.802-254.0	Fuel Line, 1/4"	28"
76	9.802-254.0	Fuel Line, 1/4"	21"
77	9.802-254.0	Fuel Line, 1/4"	6"
78	9.802-428.0	▲ Cord 12-3 SJOWA (Motor) (501.0, 502.0, 503.0)	44"
	9.802-436.0	▲ Cord 10-3 (Motor) (504.0)	44"
79	9.802-793.0	Nut, Cage, 1/4" x 16 Gauge	5
80	9.802-753.0	Screw 1/4" x 3/4" HH NC Whiz Loc	5
81	9.802-013.0	Nipple, 1/2" x 2-1/2"	1
82	8.706-141.0	Coupling, 1/2" Steel Pipe	1
		▲ Not Shown	

# EXPLODED VIEW - 1.575-505.0, 506.0, 507.0, 508.0, 509.0, 510.0



## 1.575-505.0, 506.0, 507.0, 508.0, 509.0, 510.0 PARTS LIST

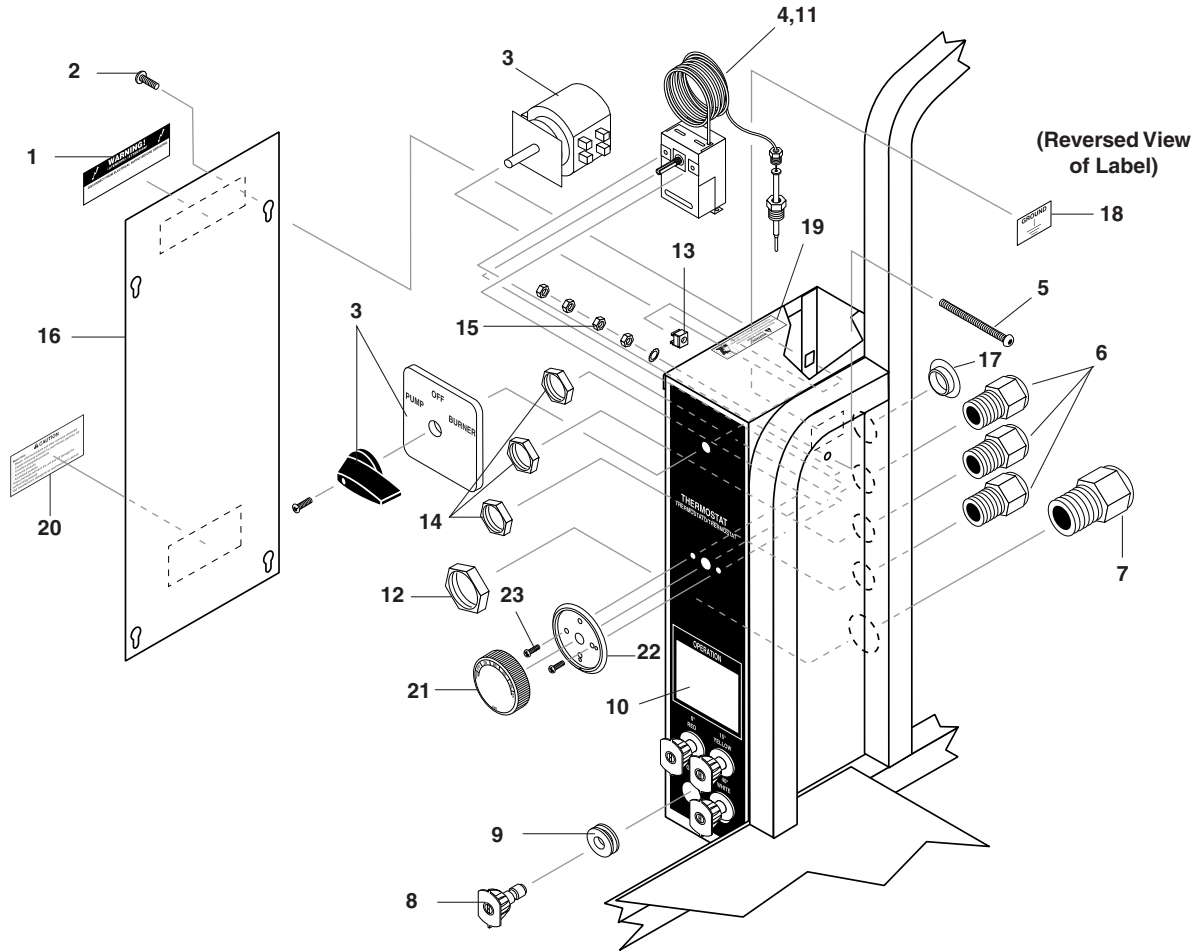
ITEM	PART NO.	DESCRIPTION	QTY	ITEM	PART NO.	DESCRIPTION	QTY
1	9.800-002.0	Label, Use Only Kerosene	1	35	9.802-171.0	Nipple, 3/8" x 3/8" NPT Street Male	1
2	9.800-006.0	Label, "Hot/Caliente" with Arrows Warning	1	36	9.149-003.0	Manifold Coil Discharge	1
3	8.932-969.0	Label, Warning, Service Cord	1	37	9.802-043.0	Elbow, 1/2" JIC x 1/2" Female	1
4	9.800-021.0	Label, Hot Water Outlet	1	38	8.918-423.0	Hose, 3/8" x 22"	1
5	9.800-110.0	Label, Logo Large	1	39	8.706-958.0	Hose Barb, 1/4" Barb, 1/4" Pipe, 90°	1
6	9.800-035.0	Label, Warning (Lexan)	1	40	9.802-729.0	Bolt, 3/8" x 2-1/4"	2
7	9.802-066.0	Pad, Soft Rubber, 50 Duro	2	41	9.802-789.0	Nut, 3/8" Hex	2
8	9.802-070.0	Grip, 1" Square, Handle	2	42	8.719-935.0	Retainer Ring, Insulation	1
9	8.706-612.0	Tank, Fuel, 9 Gallon Poly, Black	1	43	9.196-012.0	Screw, 10-24 x 1/4"	1
10	9.802-089.0	Cap, Fuel Tank, Plastic H60-AV	1	44	8.711-785.0	Hose, 3/8" Push-On	30"
11	9.800-020.0	Label, Cold Water Inlet	1	45	9.802-212.0	Filter, Fuel/H <sub>2</sub> O	1
12	9.803-062.0	Frame Assy	1	46	9.802-781.0	Nut, 3/8" Flange, Whiz Loc	4
13	9.802-225.0	Downstream Injector Assembly, Non Adj. #3	1	47	9.803-264.0	Nipple, 1/4" x 3", Black Pipe	1
14	9.803-064.0	Power Platform (505.0, 506.0, 507.0)	1	48	9.802-810.0	Washer, 5/8" Flat	2
	9.803-063.0	Power Platform (508.0, 509.0, 510.0)	1	49	9.802-770.0	Screw, 1/4" x 1"	7
15	9.802-107.0	Fastener, Ratchet, Black Nylon	2	50	9.802-094.0	Belt Guard	1
16	9.802-271.0	Wheel & Tire, 6" Steel Rim	2	51	9.802-782.0	Collar, 5/8"	2
17	8.750-094.0	Thermostat, 302°	1	52	9.803-066.0	Axle, SR	1
18	For Motor, Please See Specifications Pages.			53	9.803-131.0	Pump Rail, Black	1
19	9.802-872.0	Tab, Belt Guard Mount	3	54	For Pulley, Please See Specifications Pages.		
20	8.902-433.0	Valve, Safety Relief	1	55	For Pulley, Please See Specifications Pages.		
21	8.932-965.0	Label, Warning, Exposed Pulley	1	56	For Belt, Please See Specifications Pages.		
22	9.802-792.0	Nut, Cage, 3/8" x 12 Gauge	4	57	For Bushing, Please See Specifications Pages.		
23	9.802-905.0	Insulation Blanket, 18" OD x 4.5" ID	1	58	9.802-402.0	Bushing, 24mm	1
24	9.802-041.0	Elbow, 3/8", Street 45°	1	59	For Burner, Please See Specifications Pages.		
25	9.802-775.0	Nut, 1/4", Flange	4	60	9.802-825.0	Clip, Retainer	4
26	9.802-720.0	Bolt, 3/8" x 1" (508.0, 509.0, 510.0)	6	61	9.800-046.0	Label, Belt Guard	1
		(505.0, 506.0, 507.0)	8	62	9.803-030.0	Retainer, Burner Insulation	1
27	9.802-733.0	Bolt, 3/8" x 3-1/2", Tap	2	63	9.802-768.0	Screw, 3/8" x 1-1/4" Whiz Loc	4
28	9.802-995.0	Coil, 18"	1	64	9.802-014.0	Nipple, 1/2" x 3", Galvanized	1
	9.802-897.0	▲ Insulation Blanket	1	65	8.718-618.0	Bolt, 5/16" x 3/4"	1
29	9.802-518.0	▲ Strain Relief, 3/4" (505.0, 506.0, 507.0, 509.0, 510.0)	1	66	8.718-980.0	Washer, 5/16 Flat	4
	9.803-279.0	▲ Strain Relief, 1" (508.0)	1	67	9.802-794.0	Nut, Cage, 1/4" x 12 Gauge	6
30	9.802-803.0	Washer, 1/4"	4	68	9.802-754.0	Screw, 1/4" x 1/2", Whiz Loc	3
31	8.933-031.0	Outer Wrap, 18" Coil S.S.	1	69	9.802-752.0	Screw, 1/4" x 1-1/4", Whiz Loc	4
32	9.802-973.0	Tank End 18"	1	70	9.802-817.0	Washer, 3/8" x 1"	2
33	8.717-442.0	Insulation Disk	1	71	9.802-807.0	Washer, 3/8", Flat (505.0, 506.0, 507.0)	25
34	8.706-248.0	Plug, 3/8"	1			(508.0, 509.0, 510.0)	23
				72	9.802-430.0	GFCI, 230V, 30 Amp (505.0)	1
					9.802-434.0	GFCI, 240V, 40 Amp (508.0)	1
					9.802-437.0	Service Cord, 10/4 (509.0)	15 ft.
					9.802-429.0	Service Cord, 12/4 (506.0, 507.0, 510.0)	15 ft.

# 1.575-505.0, 506.0, 507.0, 508.0, 509.0, 510.0 PARTS LIST

ITEM	PART NO.	DESCRIPTION	QTY
73	9.802-819.0	Washer, 7/16" x 2-1/2"	2
74	8.706-941.0	Hose Barb, 1/4"	2
75	9.802-779.0	Nut, 3/8" ESNA	13
76	9.802-254.0	Fuel Line, 1/4"	28"
77	6.390-126.0	Clamp, Hose, .46-, .54	6
78	9.802-211.0	Filter, Fuel	1
79	9.802-254.0	Fuel Line, 1/4"	21"
80	9.802-254.0	Fuel Line, 1/4"	6"
81	9.802-448.0	Conduit, Water Tite	2.25 ft.
82	9.802-517.0	Connector 1/2" L/T 90° Black	1
84	9.802-436.0	▲ Cord Service 10-3 (505.0)	41"
	9.802-437.0	▲ Cord Service 10-4 (509.0)	41"
	9.802-425.0	▲ Cord Service 8-3 (508.0)	41"
85	8.704-660.0	Label, Kärcher-Shark	1
86	9.802-793.0	Nut, Cage 1/4" x 16 Gauge	4
87	9.802-526.0	▲ Lock Nut 3/4" (505.0,509.0,510.0)	1
	9.803-280.0	▲ Lock Nut 1" (508.0)	1
88	9.802-778.0	Nut, Whiz 5/16 Flange	4
89	9.802-013.0	Nipple, 1/2" x 2-1/2"	1
90	8.706-141.0	Coupling, 1/2" x Steel Pipe	1

▲ Not Shown

## CONTROL PANEL - 1.575-500.0

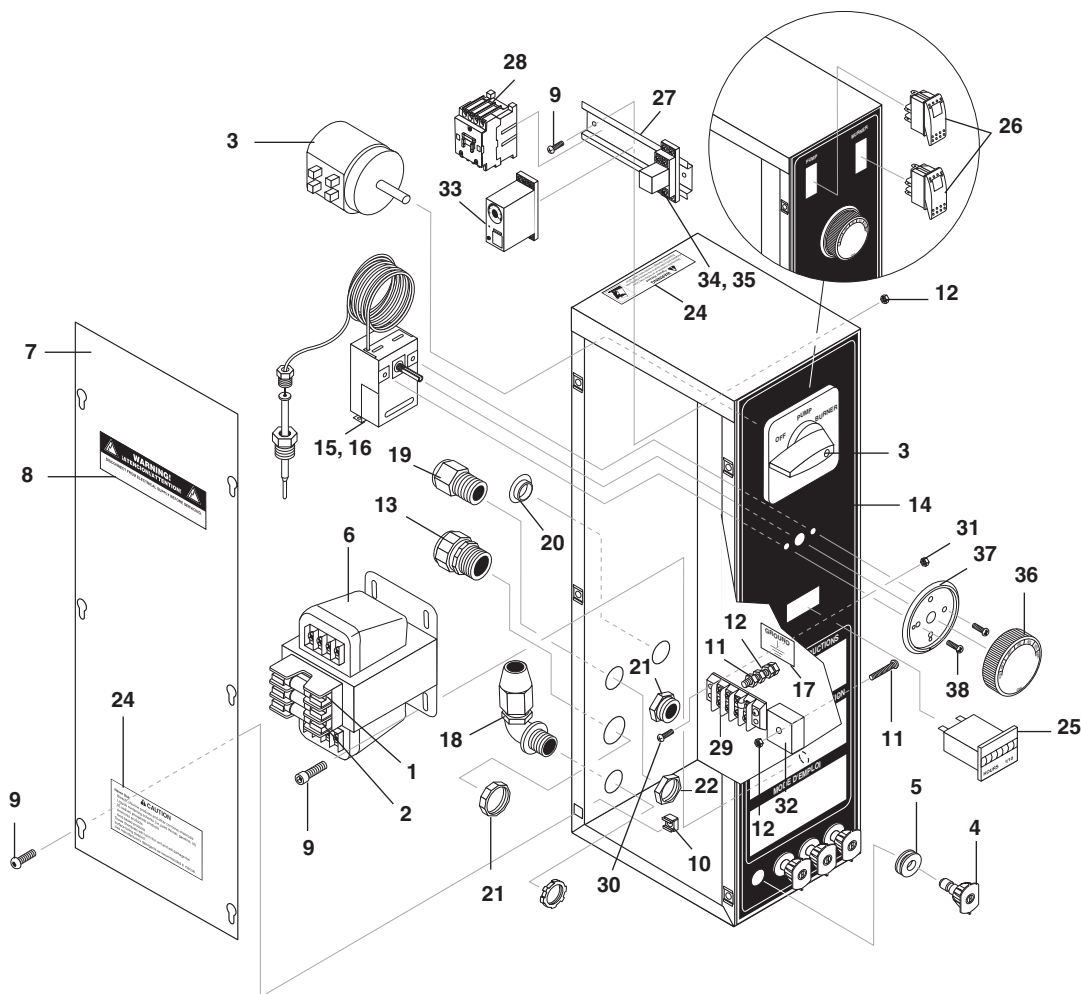


### CONTROL PANEL - 1.575-500.0 PARTS LIST

ITEM	PART NO.	DESCRIPTION	QTY	ITEM	PART NO.	DESCRIPTION	QTY
1	9.800-016.0	Label, Disconnect Power Supply	1	9	9.802-064.0	Grommet, Rubber, Nozzle Holder	4
2	9.802-759.0	Screw, 10/32" x 1/2" NHSOC, Black	4	10	9.800-123.0	Label, Control Panel	1
3	9.802-449.0	Switch, 3 PS, 115V-230V, 1PH	1	11	9.802-447.0	▲ Conduit, 1/4" Split	36"
4	9.802-285.0	Thermostat, Adj., 302°F	1	12	9.802-526.0	Locknut, 3/4" 8465	1
5	9.802-762.0	Screw, 10/32" x 1-1/4" RH, SL, Black	1	13	9.802-791.0	Nut, Cage, 10/32" x 16 Gauge	4
6	9.802-514.0	Strain Relief, Straight, LQ TITE, Small	3	14	9.802-525.0	Locknut, 1/2" 8463	3
7	9.803-278.0	Strain Relief, Straight, LQ TITE, w/Gasket	1	15	9.802-695.0	Nut, 10/32" Keps	4
8	8.712-345.0	Nozzle, SAQCMEG 0004, Red	1	16	9.803-094.0	Electric Box Cover, Black	1
	8.712-346.0	Nozzle, SAQCMEG 1504, Yellow	1	17	9.802-103.0	Bushing, Snap, 5/8"	1
	8.712-347.0	Nozzle, SAQCMEG 2504, Green	1	18	9.800-040.0	Label, Ground	1
	8.712-348.0	Nozzle, SAQCMEG 4004, White	1	19	9.800-018.0	Label, Tipover Hazard	1
				20	9.800-049.0	Label, Cleaning Solution	1
				21	8.750-096.0	Knob, Thermostat 302°F	1
				22	8.712-190.0	Bezel, Plastic	1
				23	9.196-012.0	Screw, 10/24 x 1/4" Hex	2

▲ Not Shown

# CONTROL PANEL - 1.575-501.0, 502.0, 503.0, 504.0



## CONTROL PANEL - 1.575-501.0, 502.0, 503.0, 504.0 PARTS LIST

ITEM	PART NO.	DESCRIPTION	QTY	ITEM	PART NO.	DESCRIPTION	QTY
1		For Fuse, Please See Specifications Pages. (503.0, 504.0)		8.712-345.0	Nozzle, SAQCMEG 0004, Red (503.0)	1	
2		For Fuse, Please See Specifications Pages. (503.0, 504.0)		8.712-346.0	Nozzle, SAQCMEG 1504, Yellow (503.0)	1	
3	9.802-449.0	Switch, 3 PS, 115V-230V, 1 PH Salzer	1	8.712-347.0	Nozzle, SAQCMEG 2504, Green (503.0)	1	
4	8.712-353.0	Nozzle, SAQCMEG 0005, Red (502.0)	1	8.712-348.0	Nozzle, SAQCMEG 4004, White (503.0)	1	
	8.712-354.0	Nozzle, SAQCMEG 1505, Yellow (502.0)	1	8.712-349.0	Nozzle, SAQCMEG 0004.5, Red (504.0)	1	
	8.712-355.0	Nozzle, SAQCMEG 2505, Green (502.0)	1	8.712-350.0	Nozzle, SAQCMEG 1504.5, Yellow (504.0)	1	
	8.712-356.0	Nozzle, SAQCMEG 4005, White (502.0)	1	8.712-351.0	Nozzle, SAQCMEG 2504.5, Green (504.0)	1	
	8.712-331.0	Nozzle, SAQCMEG 0003, Red (501.0)	1	8.712-352.0	Nozzle, SAQCMEG 4004.5, White (504.0)	1	
	8.712-333.0	Nozzle, SAQCMEG 1503, Yellow (501.0)	1	5	9.802-064.0	Grommet, Rubber, Nozzle Holder	4
	8.712-334.0	Nozzle, SAQCMEG 2503, Green (501.0)	1	6		For Transformer, Please See Specifications Pages. (503.0, 504.0)	
	8.712-335.0	Nozzle, SAQCMEG 4003, White (501.0)	1	7	9.802-880.0	Cover, Electrical Box, Black	1
				8	9.800-016.0	Label, Disconnect Power	1

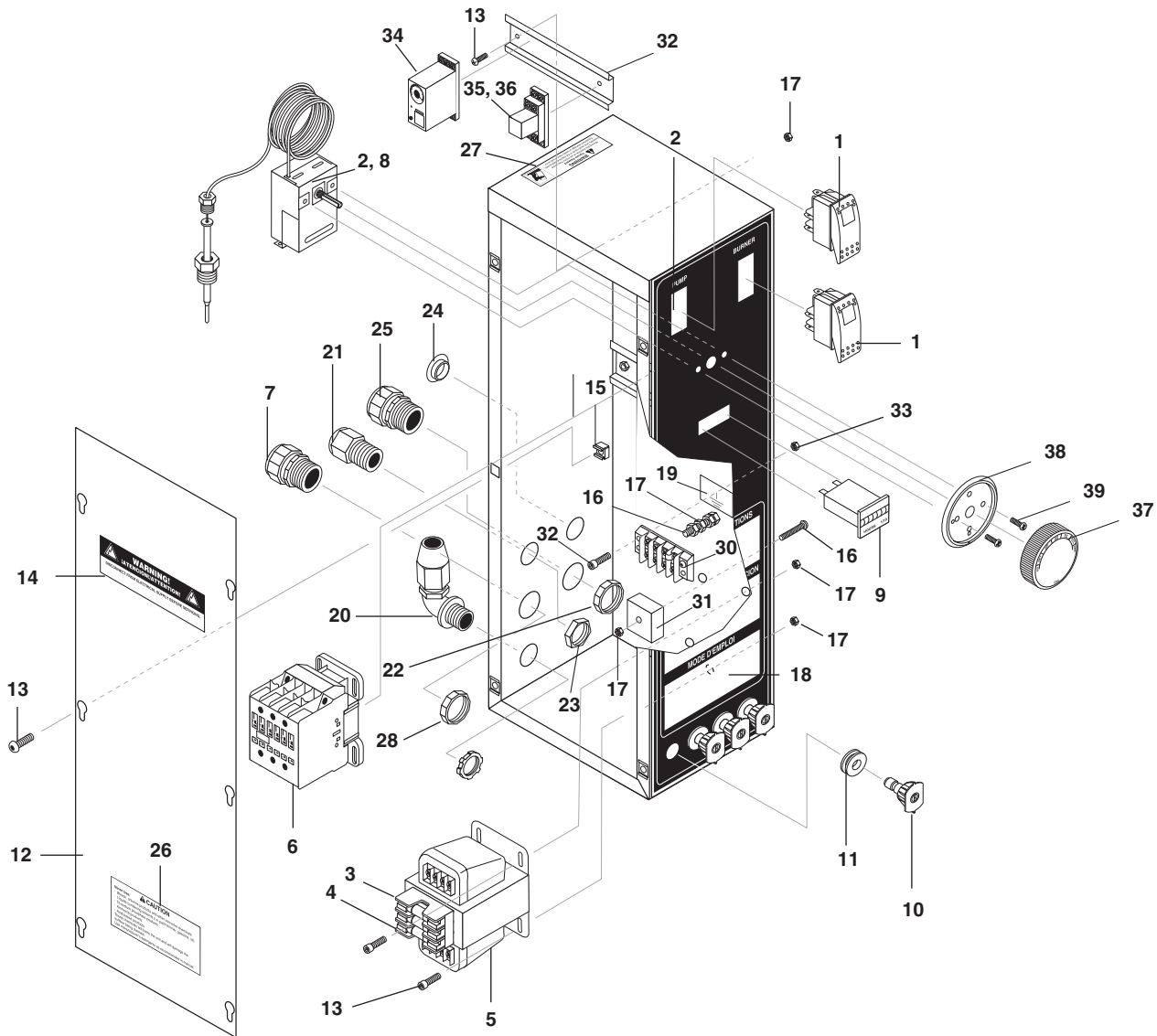
## CONTROL PANEL - 1.575-501.0, 502.0, 503.0, 504.0 PARTS LIST

ITEM	PART NO.	DESCRIPTION	QTY
9	9.802-759.0	Screw, 10/32" x 1/2"	10
		(503.0, 504.0) (501.0, 502.0)	6
10	9.802-791.0	Nut, Cage, 10/32" x 16 Gauge	6
11	9.802-762.0	Screw, 10/32" x 1-1/4"	1
		(auto start/stop Option)	1
12	9.802-695.0	Nut, 10/32" Keps	8
		(503.0, 504.0) (501.0, 502.0)	4
13	9.802-518.0	Strain Relief, Straight, L/T, LG	2
		(504.0)	
	9.803-278.0	Strain Relief 3/4" w/Gasket	2
		(501.0, 502.0, 503.0)	
14	8.724-734.0	Label, Control Panel	1
15	8.750-094.0	Thermostat	1
16	9.802-447.0	▲ Split Conduit, 1/4"	48"
17	9.800-040.0	Label, Ground	1
18	9.802-517.0	Connector, 1/2", L/T 90°, Black	1
19	9.802-514.0	Strain Relief, Straight, L/T, Small	1
20	9.802-103.0	Bushing, 5/8" Snap	1
21	9.802-526.0	Locknut, 3/4"	2
22	9.802-525.0	Locknut, 1/2"	1
23	9.800-018.0	Label, Tip over Hazard	1
24	9.800-049.0	Label, Cleaning Solution	1
25	9.802-283.0	Hour Meter (optional)	1
26	9.802-451.0	Switch Rocker Carling w/Green Lens (Auto Start/Stop Option)	2
		(Time Delay Option)	1
	9.802-452.0	Switch Rocker Red Lens (Time Delay Option)	1
27	9.802-457.0	Din Rail	4"
		(Time Delay Option)	6"

ITEM	PART NO.	DESCRIPTION	QTY
28	8.724-268.0	Contactora, DP C25DNY152AL Auto Start/Stop, Time Delay Option)	1
29	9.802-491.0	Block Terminal 4 Pole (Auto Start/Stop, Time Delay Option)	1
30	9.802-749.0	Screw 8/32" x 3/4" (Auto Start/Stop, Time Delay option)	2
31	9.802-785.0	Nut 8/32" Keps (Auto Start/Stop, Time Delay Option)	2
32	9.802-472.0	Timer Solid State 120V 5-60 minute Adj. (Auto Start/Stop Option)	1
33	9.802-473.0	Timer Multi-Function 24V - 120/240 (Time Delay Option)	1
34	9.802-467.0	Base Relay (Time Delay Option)	1
35	9.802-468.0	Relay, 120 (Time Delay Option)	1
36	8.750-096.0	Knob, Thermostat 302°F	1
37	8.712-190.0	Bezel, Plastic	1
38	9.196-012.0	Screw, 10/24 x 1/4" Hex	2

▲ Not Shown

# CONTROL PANEL - 1.575-505.0, 506.0, 507.0, 508.0, 509.0, 510.0



## 1.575-505.0, 506.0, 507.0, 508.0, 509.0, 510.0 PARTS LIST

ITEM	PART NO.	DESCRIPTION	QTY	ITEM	PART NO.	DESCRIPTION	QTY
1	9.802-451.0	Switch, Rocker, Carling w/Green Lens (Time Delay Option)	2	8	8.750-095.0	Thermostat, 302°	1
	9.802-452.0	Rocker Switch, Red Lens (Time Delay Option)	1	9	9.802-283.0	Hour Meter (Optional)	1
2	9.802-447.0	▲ Conduit, 1/4" Split	48"	10	8.712-357.0	Nozzle, SAQCMEG 0055, Red (505.0, 506.0, 507.0)	1
3	For Fuse, Please See Specifications Pages.				8.712-358.0	Nozzle, SAQCMEG 1505.5, Yellow (505.0, 506.0, 507.0)	1
4	For Fuse, Please See Specifications Pages.				8.712-359.0	Nozzle, SAQCMEG 2505.5, Green (505.0, 506.0, 507.0)	1
5	For Transformer, Please See Specifications Pages.				8.712-360.0	Nozzle, SAQCMEG 4005.5, White (505.0, 506.0, 507.0)	1
6	For Contactor, Please see specifications pages.				8.712-345.0	Nozzle, SAQCMEG 0004, Red (508.0, 509.0, 510.0)	1
7	9.802-518.0	Strain Relief, Straight, L/T (All Models Except (508.0))	1		8.712-346.0	Nozzle SAQCMEG 1504, Yellow (508.0, 509.0, 510.0)	1
	9.802-521.0	Strain Relief, 3/4" Watertight (508.0)	1		8.712-347.0	Nozzle, SAQCMEG 2504, Green (508.0, 509.0, 510.0)	1
					8.712-348.0	Nozzle, SAQCMEG 4004, White (508.0, 509.0, 510.0)	1

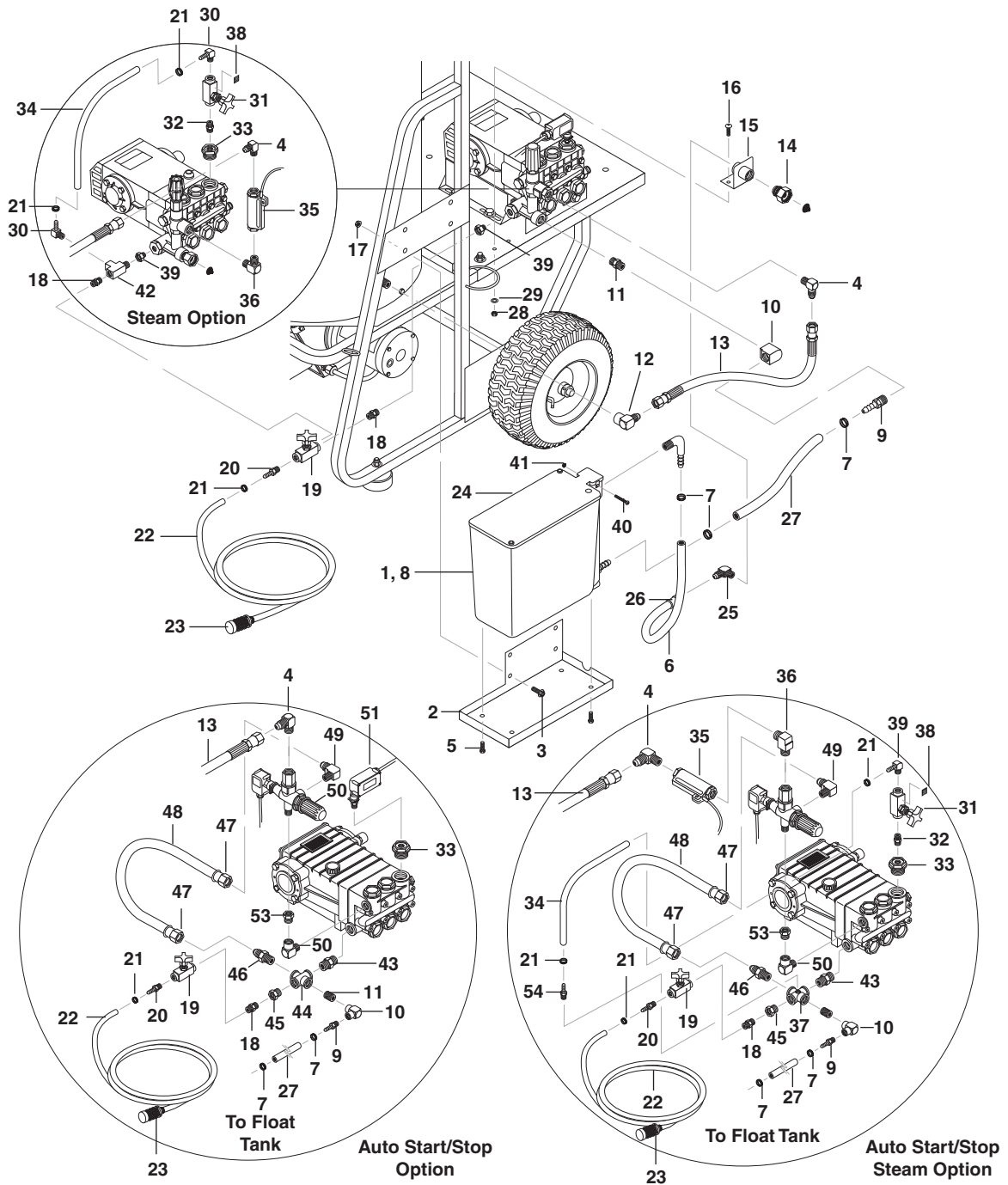
## 1.575-505.0, 506.0, 507.0, 508.0, 509.0, 510.0 PARTS LIST

ITEM	PART NO.	DESCRIPTION	QTY
11	9.802-064.0	Grommet, Rubber, Nozzle Holder	4
12	9.802-880.0	Cover, Electrical Box	1
13	9.802-759.0	Screw, 10/32" x 1/2" (Time Delay Option)	13 2
14	9.800-016.0	Label, Disconnect Power Supply	1
15	9.802-791.0	Nut, Cage, 10/32" x 16 Gauge	6
16	9.802-762.0	Screw, 10/32" x 1-1/4" (Auto Start/Stop Option)	1 1
17	9.802-695.0	Nut, 10/32" Keps (Auto Start/Stop Delay Option) (Time Delay Option)	4 1 2
18	9.800-112.0	Label, Control Panel	1
19	9.800-040.0	Label, Ground	1
20	9.802-517.0	Connector, 1/2", L/T 90°, Black	1
21	9.802-514.0	Strain Relief, Straight, L/T, Small	1
22	9.802-526.0	Locknut, 3/4"	1
23	9.802-525.0	Locknut, 1/2"	1
24	9.802-103.0	Bushing, Snap, 5/8"	1
25	9.802-518.0	Strain Relief, Straight, L/T, Large	1
26	9.800-018.0	Label, Tipover Hazard	1
27	9.800-049.0	Label, Cleaning Solution	1
28	9.802-526.0	Lock Nut 3/4" (All Models)	1
29	9.802-457.0	Din Rail (Time Delay Option)	4" 2"
30	9.802-491.0	Block Terminal 4 Pole (Auto Start/Stop, Time Delay Option)	1
31	9.802-472.0	Timer Solid State 120V, 5-60, Minute Adj. (Auto Start/Stop Option)	1
32	9.802-749.0	Screw 8/32" x 3/4"(Auto Start/ Stop, Time Delay Option)	2
33	9.802-785.0	Nut 8/32" Keps (Auto Start/Stop, Time Delay Option)	2

ITEM	PART NO.	DESCRIPTION	QTY
34	9.802-473.0	Timer, Multi Function 24V- 120/240V (Time Delay Option)	1
35	9.802-467.0	Base Relay (Time Delay Option)	1
36	9.802-468.0	Relay 120V (TimeDelay Option)	1
37	8.750-096.0	Knob, Thermostat 302°F	1
38	8.712-190.0	Bezel, Plastic	1
39	9.196.012.0	Screw, 10/24 x 1/4" Hex	2

▲ Not Shown

# FLOAT TANK OPTION - 505.0, 506.0, 507.0, 508.0, 509.0, 510.0



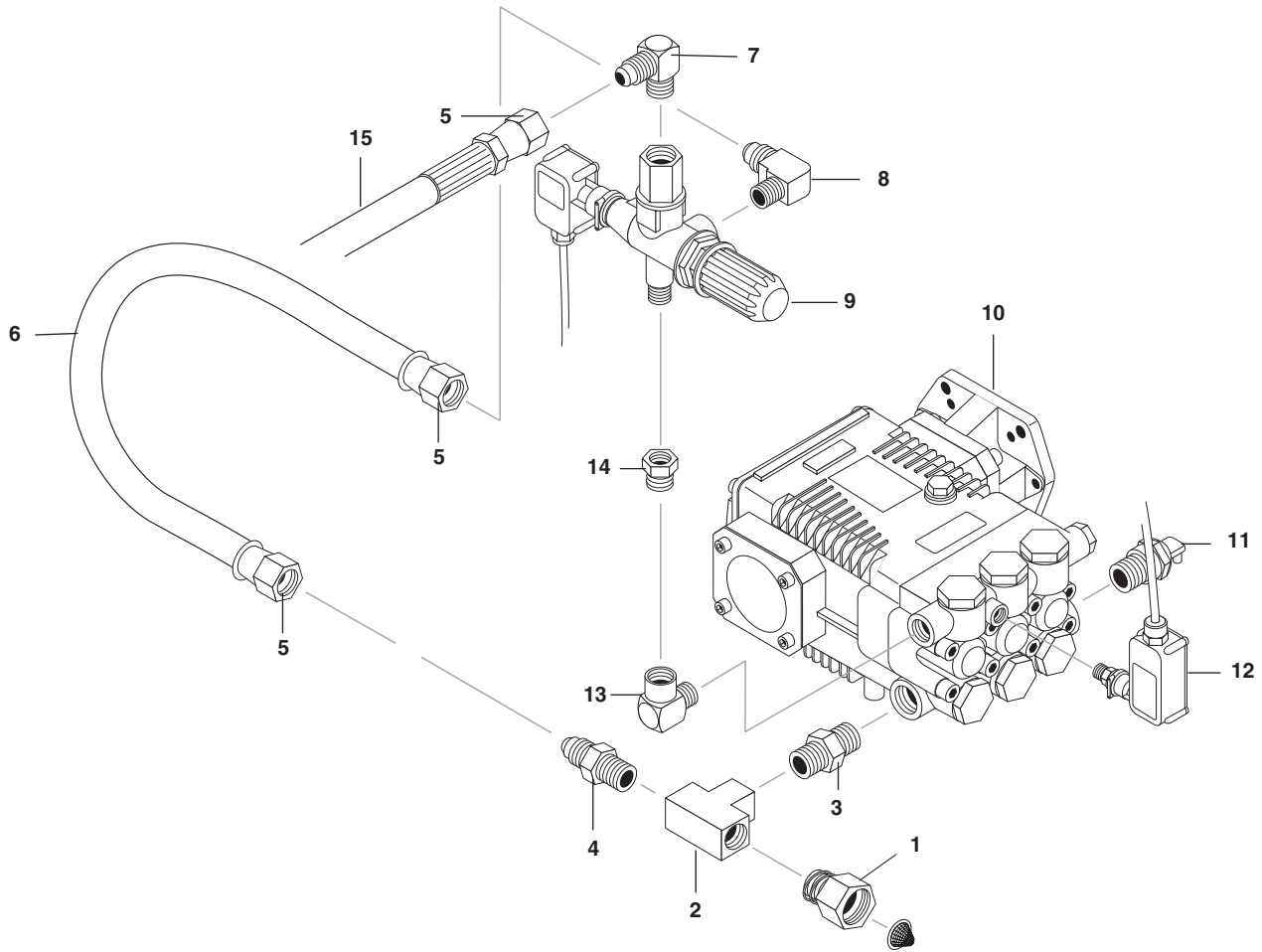
ITEM	PART NO.	DESCRIPTION	QTY
1	8.706-645.0	Tank, Float	1
2	9.803-269.0	Shelf, Float Tank, Black	1
3	9.802-767.0	Screw, 3/8" x 3/4" HH NC, Whiz Loc	4
4	9.802-039.0	Elbow, 1/2" JIC x 3/8" Female, 90°	1
5	9.803-277.0	Screw, 5/16" x 1/2" Whiz Loc	4
6	9.802-259.0	Hose, 1/2", Push-On	20"
7	9.802-201.0	Clamp, Screw, #6	3
8	8.932-994.0	▲ Valve, Float	1

ITEM	PART NO.	DESCRIPTION	QTY
	9.802-062.0	▲ Ball Float	1
9	8.706-943.0	Hose Barb, 5/8" Barb x 1/2" ML Pipe	1
10	8.706-820.0	Elbow, 1/2" Female, Brass	1
11	9.802-111.0	Nipple, 1/2" NPT, 5/16", Modified Close	1
12	9.802-043.0	Elbow, 1/2" x 1/2" Female, 90°1	
13	8.918-423.0	Hose, 3/8" x 22", 2 Wire, Pressure Loop	1
14	9.802-146.0	Swivel, 1/2" MP x 3/4" GHF w/Strainer	1

## FLOAT TANK 505.0, 506.0, 507.0, 508.0, 509.0, 510.0 PARTS LIST

ITEM	PART NO.	DESCRIPTION	QTY	ITEM	PART NO.	DESCRIPTION	QTY
15	9.802-961.0	Hose Connection Bracket	1	46	9.802-128.0	Nipple, 1/2" JIC x 1/2" Pipe	1
16	9.802-700.0	Bolt, 1/4" x 3/4", NC HH	2	47	9.802-151.0	Swivel, 1/2" JIC Female, Push-On	2
17	9.802-781.0	Nut, 3/8", Flange, Whiz Loc, NC	4	48	9.802-259.0	Hose, 1/2", Push-On	16"
18	8.706-780.0	Nipple, 1/4" Hex	1	49	9.802-129.0	Elbow, 1/2" JIC x 3/8" 90°	1
19	8.707-317.0	Valve, Flow Control	1	50	9.802-362.0	Unloader VB8 w/Switch	1
20	8.706-941.0	Hose Barb, 1/4" Barb x 1/4" ML Pipe	1	51	9.802-458.0	Switch, Pressure N/O 1/4", NPT SS	1
21	6.390-126.0	Clamp, Hose, .46-, .54 ST (Float Tank w/Steam)	1 3	52	8.706-207.0	Elbow, 3/8" Street	1
22	9.802-251.0	Tube, 1/4" x 1/2", Clear Vinyl	72"	53	8.706-309.0	Adapter, 3/8" x 3/8" Street	1
23	8.707-058.0	Strainer, 1/4" Brass w/Check Valve	1	54	8.706-940.0	Hose Barb, 1/4" Barb x 1/8" ML Pipe	1
24	9.802-087.0	Cover, Float Tank, Portotonica	1	▲ Not Shown			
25	9.802-131.0	Elbow, 1/2" JIC x 1/2", 90°	1				
26	9.802-151.0	Swivel, 1/2" JIC Female, Push-On	1				
27	9.802-260.0	Hose, 5/8" Push-On	12"				
28	9.802-773.0	Nut, 1/4", ESNA, NC	2				
29	9.802-802.0	Washer, 1/4" Flat, SAE	4				
30	8.706-958.0	Hose Barb, 1/4" Barb x 1/4" Pipe, 90°	1				
31	9.802-187.0	Valve, Flow Control w/Metering	1				
32	8.705-973.0	Nipple, 1/4" Hex Steel	1				
33	9.802-632.0	Cap, Valve w/ 1/4" Gauge Port	1				
34	9.802-254.0	Hose, 1/4", Push-on	14"				
35	8.933-006.0	Switch, MV60 Flow	1				
36	8.706-168.0	Elbow, 3/8" Male Pipe	1				
37	9.804-555.0	Cross, 1/2" Female w/ 1/4"-20 Hole	1				
38	9.800-026.0	Label, Open For Steam	1				
39	8.706-997.0	Adapter 1/4" x 1/8"	1				
40	9.804-554.0	Screw, 10/32" x 2-1/2"	1				
41	9.802-695.0	Nut, 10/32" Keps	1				
42	8.706-855.0	Tee, 1/4" Street	1				
43	8.706-797.0	Nipple, 1/2" Hex	1				
44	9.802-119.0	Cross, 1/2" Female	1				
45	8.706-915.0	Bushing, 1/2" x 1/4"	1				

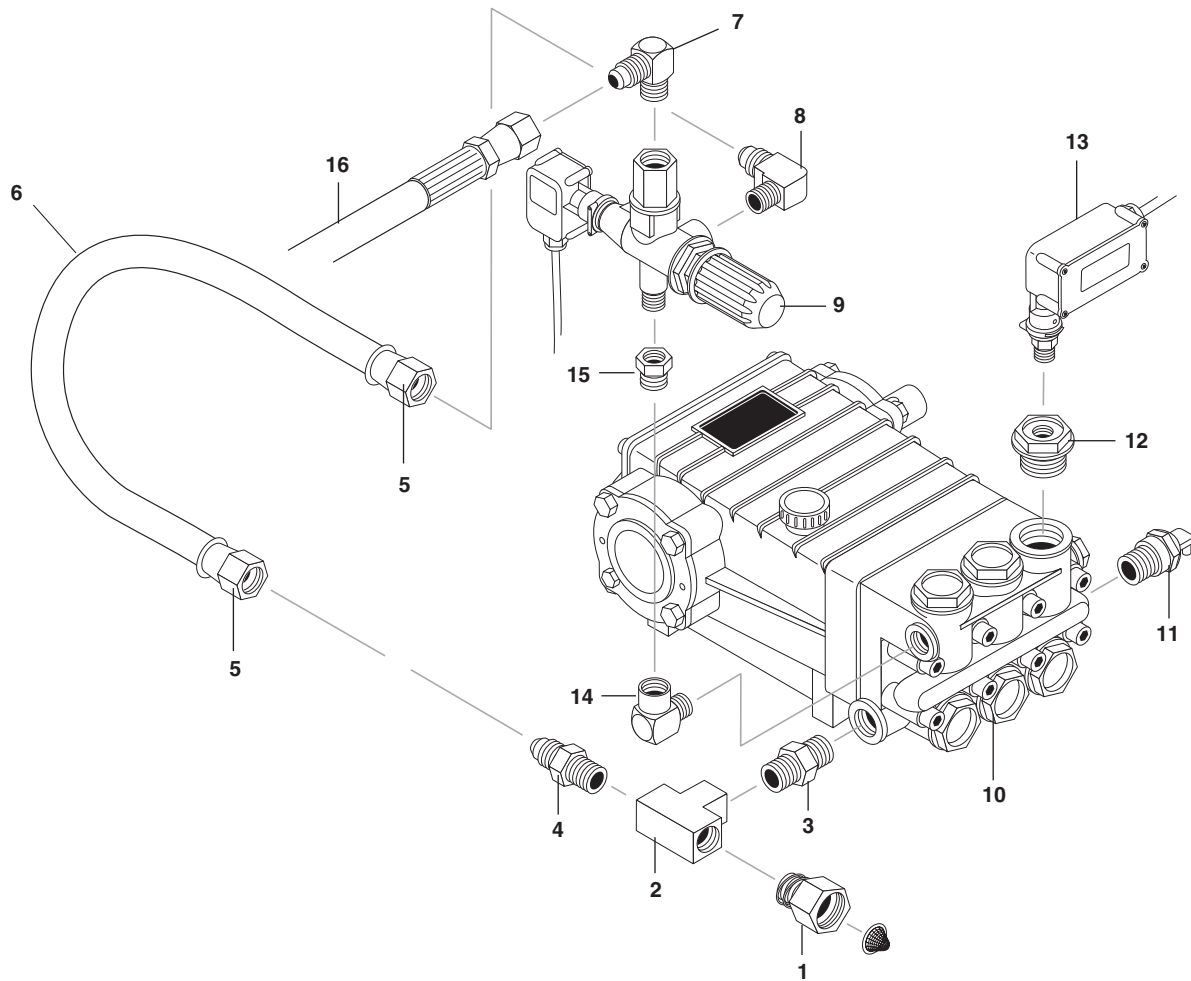
## AUTO START/STOP OPTIONS 501.0, 502.0, 503.0, 504.0



## AUTO START/STOP OPTIONS PARTS LIST 501.0, 502.0, 503.0, 504.0

ITEM	PART NO.	DESCRIPTION	QTY	ITEM	PART NO.	DESCRIPTION	QTY
1	9.802-146.0	Swivel, 1/2" MP x 3/4" GHF w/Strainer	1	9	9.802-362.0	Unloader, VB8 w/Switch	1
2	8.706-844.0	Tee, 1/2" Female Pipe	1	10	For Pump, Please See Specifications Pages		
3	8.706-797.0	Nipple, 1/2" Hex	1	11	8.707-256.0	Pump Protector, 1/2"	1
4	9.802-128.0	Nipple, 1/2" JIC x 1/2" MPT Pipe	1	12	9.802-458.0	Switch, Pressure 1/4" NPT	1
5	9.802-151.0	Swivel, 1/2" JIC Fem, Push-on	2	13	8.706-207.0	Elbow, 3/8" Street	1
6	9.802-259.0	Hose, 1/2" Push-on	16"	14	8.706-309.0	Adapter, 3/8" x 3/8" Street	1
7	9.802-039.0	Elbow, 1/2" JIC, 3/8"	1	15	8.918-425.0	Hose, 3/8" x 29", Pressure Loop	1
8	9.802-129.0	Elbow, 1/2" JIC x 3/8"	1				

## AUTO START/STOP OPTIONS 505.0, 506.0, 507.0, 508.0, 509.0, 510.0

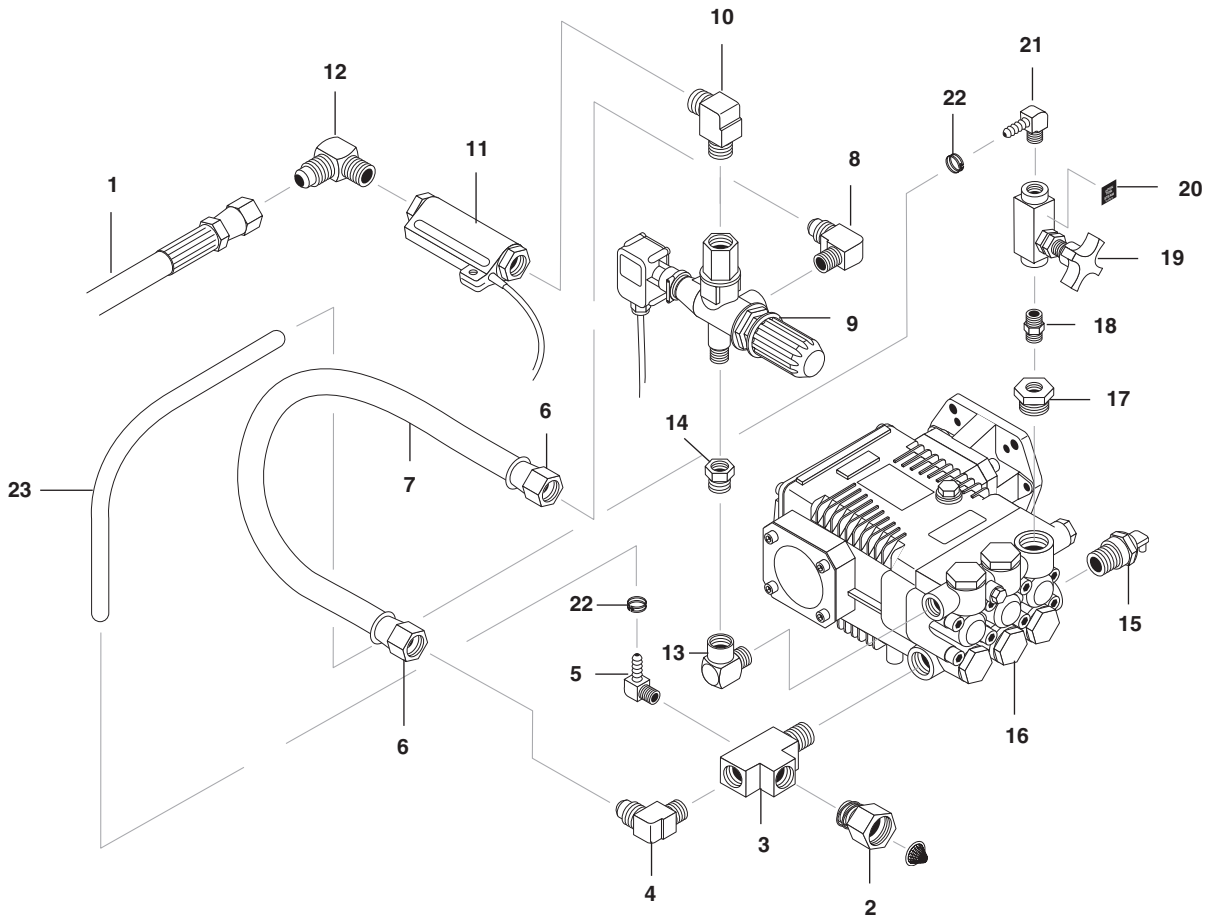


### AUTO START/STOP OPTIONS PARTS LIST 505.0, 506.0, 507.0, 508.0, 509.0, 510.0

ITEM	PART NO.	DESCRIPTION	QTY	ITEM	PART NO.	DESCRIPTION	QTY
1	9.802-146.0	Swivel, 1/2" MP x 3/4" GHF w/Strainer	1	12	9.802-632.0	Cap, Valve with 1/4" Ga Port	1
2	8.706-844.0	Tee, 1/2" Female Pipe	1	13	9.802-458.0	Switch, Pressure 1/4" NPT	1
3	8.706-797.0	Nipple, 1/2" Hex	1	14	8.706-207.0	Elbow, 3/8" Street	1
4	9.802-127.0	Nipple, 1/2" JIC x 1/2" MPT Pipe	1	15	8.706-309.0	Adapter, 3/8" x 3/8" Street	1
5	9.802-151.0	Swivel, 1/2" JIC Fem, Push-on	2	16	8.918-423.0	Hose, 3/8" x 22", Pressure Loop	1
6	9.802-259.0	Hose, 1/2" Push-on	16"				
7	9.802-039.0	Elbow, 1/2" JIC, 3/8"	1				
8	9.802-129.0	Elbow, 1/2" JIC x 3/8"	1				
9	9.802-362.0	Unloader, VB8 w/Switch	1				
10		Pump, Please See Specifications Pages					
11	8.707-256.0	Pump Protector, 1/2"	1				

# AUTO START/STOP - STEAM OPTIONS & PARTS LIST

## 501.0, 502.0, 503.0, 504.0

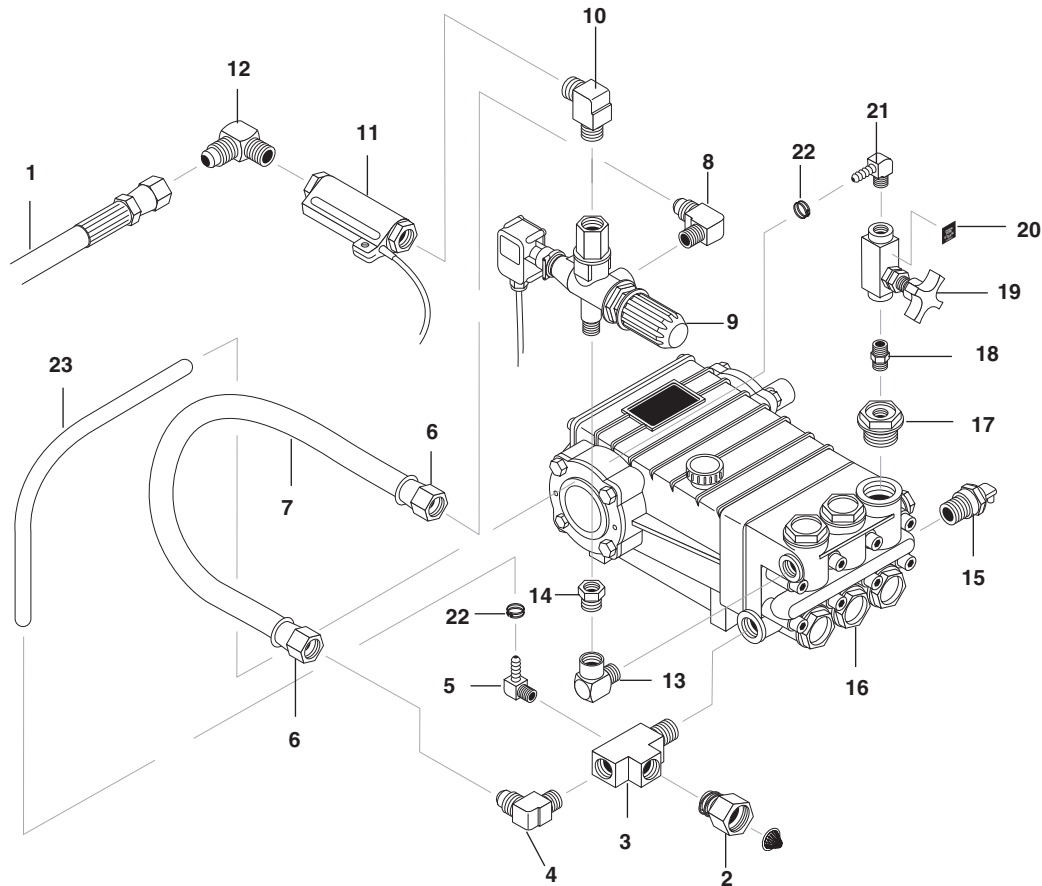


# AUTO START/STOP - STEAM OPTIONS & PARTS LIST

## 501.0, 502.0, 503.0, 504.0

ITEM	PART NO.	DESCRIPTION	QTY	ITEM	PART NO.	DESCRIPTION	QTY
1	8.918-432.0	Hose, 3/8" x 18" Pressure Loop	1	11	9.802-459.0	Switch, Flow	1
2	9.802-146.0	Swivel, 1/2 x 3/4 GHF w/Strainer	1	12	9.802-039.0	Elbow, 1/2 JIC, 3/8"	1
3	9.802-123.0	Tee, 1/2" w/1/8" Hole Street	1	13	8.706-207.0	Elbow, 3/8" Street	1
4	9.802-131.0	Elbow, 1/2" JIC x 1/2 - 90°	1	14	8.706-309.0	Adapter, 3/8" x 3/8" Steel	1
5	9.802-142.0	Hose Barb, 1/4 Barb x 1/8" Pipe 90°	1	15	8.707-256.0	Pump Protector 1/2"	1
6	9.802-151.0	Swivel, 1/2" JIC Fem, Push-on	2	16	Pump, Please See Specifications Pages		
7	9.802-259.0	Hose, 1/2" Push-on	16"	17	9.804-022.0	Cap, Valve w/1/4" Ga. Port	1
8	9.802-129.0	Elbow, 1/2 JIC x 3/8" 90°	1	18	9.802-010.0	Nipple, 1/4" Hex Steel	1
9	9.802-362.0	Unloader, VB8 w/Switch	1	19	9.802-187.0	Valve, Flow Control w/Metering	1
10	9.803-044.0	Elbow, 3/8" Male Pipe	1	20	9.800-026.0	Label, Open for Steam	1
				21	9.802-143.0	Hose Barb, 1/4" Barb x 1/4" Pipe	1
				22	6.390-126.0	Clamp, Hose	2
				23	9.802-254.0	Hose, 1/4" Push-on	14"

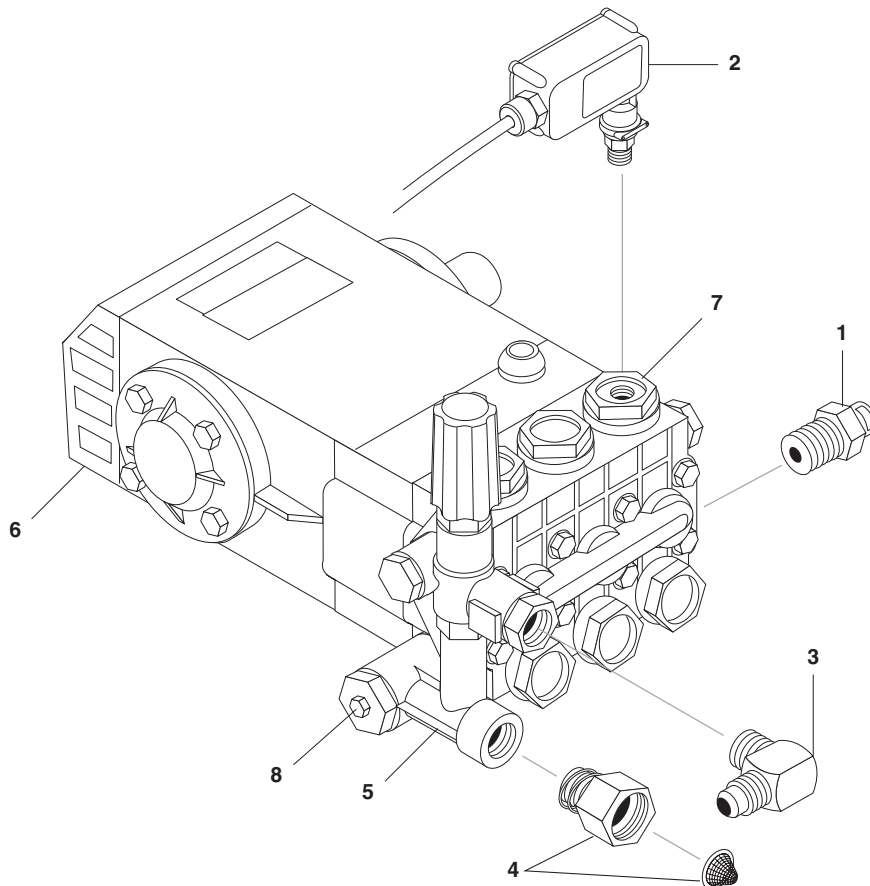
## AUTO START/STOP - STEAM OPTIONS & PARTS LIST 505.0, 506.0, 507.0, 508.0, 509.0, 510.0



### 505.0, 506.0, 507.0, 508.0, 509.0, 510.0 PARTS LIST

ITEM	PART NO.	DESCRIPTION	QTY	ITEM	PART NO.	DESCRIPTION	QTY
1	8.918-423.0	Hose, 3/8" x 22" Pressure Loop	1	14	8.706-309.0	Adapter, 3/8" x 3/8" Steel	1
2	9.802-146.0	Swivel, 1/2 x 3/4 GHF w/Strainer	1	15	8.707-256.0	Pump Protector 1/2"	1
3	9.802-123.0	Tee, 1/2" w/1/8" Hole Street	1	16	For Pump, Please See Specifications Pages		
4	9.802-131.0	Elbow, 1/2" JIC x 1/2 - 90°	1	17	9.804-022.0	Cap, Valve w/1/4" Ga. Port	1
5	9.802-142.0	Hose Barb, 1/4 Barb x 1/8" Pipe 90°1	1	18	9.802-010.0	Nipple, 1/4" Hex Steel	1
6	9.802-151.0	Swivel, 1/2" JIC Fem, Push-on	2	19	9.802-187.0	Valve, Flow Control w/Metering	1
7	9.802-259.0	Hose, 1/2" Push-on	16"	20	9.802-026.0	Label, Open for Steam	1
8	9.802-129.0	Elbow, 1/2 JIC x 3/8" 90°	1	21	9.802-143.0	Hose Barb, 1/4" Barb x 1/4" Pipe	1
9	9.802-362.0	Unloader, VB8 w/Switch	1	22	6.390-126.0	Clamp, Hose	2
10	9.803-044.0	Elbow, 3/8" Male Pipe	1	23	9.802-254.0	Hose, 1/4" Push-on	14"
11	9.802-459.0	Switch, Flow	1				
12	9.802-039.0	Elbow, 1/2 JIC, 3/8"	1				
13	8.706-207.0	Elbow, 3/8" Street	1				

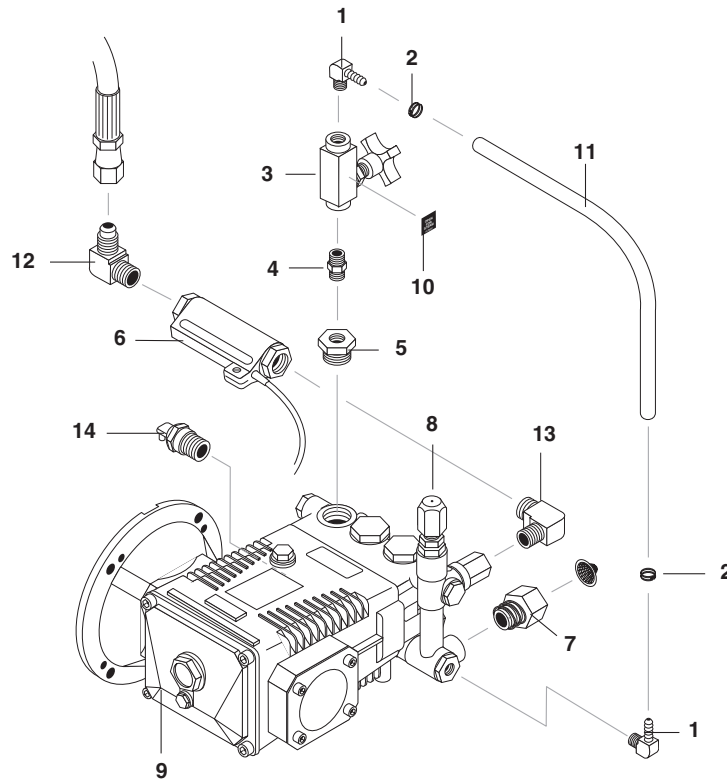
# 1.575-505.0, 506.0, 507.0, 508.0, 509.0, 510.0 PUMP ASSEMBLY



## 1.575-505.0, 506.0, 507.0, 508.0, 509.0, 510.0 PARTS LIST

ITEM	PART NO.	DESCRIPTION	QTY
1	8.707-256.0	Pump Protector, 1/2"	1
2	9.802-458.0	Pressure Switch, 1/4"	1
3	9.802-039.0	Elbow, 1/2" JIC x 3/8", 90°	1
4	9.802-146.0	Swivel, 1/2" GHF	1
5	For Unloader, Please See Specifications Pages		
6	For Pump, Please See Specifications Pages		
7	9.802-632.0	Cap, Valve w/1/4" Port	1
8	8.706-864.0	Plug, 1/8" Countersunk	1

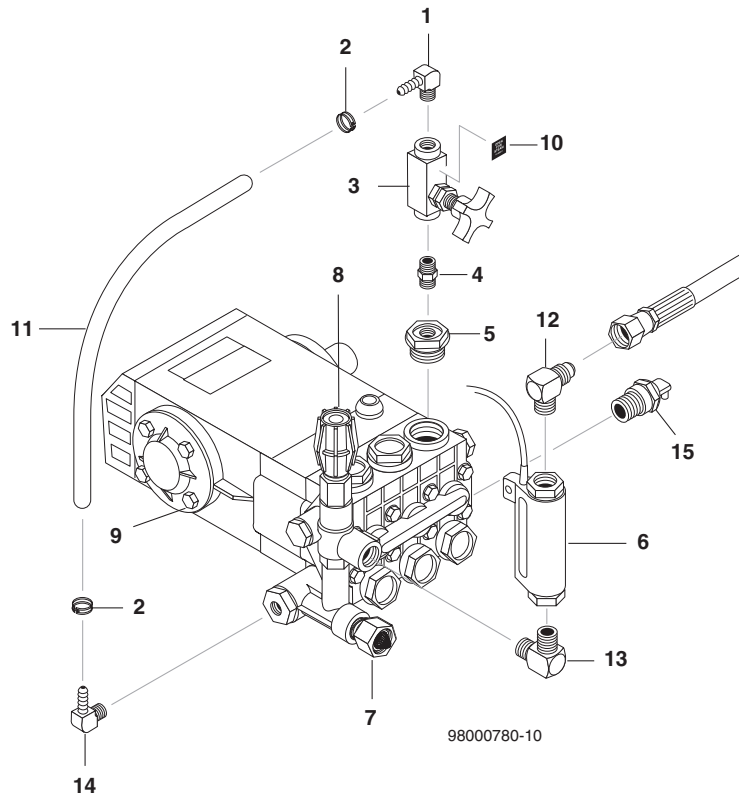
## 501.0, 502.0, 503.0, 504.0 STEAM OPTION



## 501.0, 502.0, 503.0, 504.0 PARTS LIST

ITEM	PART NO.	DESCRIPTION	QTY	ITEM	PART NO.	DESCRIPTION	QTY
1	9.802-143.0	Hose Barb, 1/4" Barb x 1/4" Pipe, 90°	2	8		For Unloader, Please See Specifications Pages.	
2	6.390-126.0	Clamp, Hose, .46-, .54 ST	2	9		For Pump, Please See Specifications Pages.	
3	9.802-187.0	Valve, Flow Control w/Metering	1	10	9.800-026.0	Label, Open For Steam	1
4	9.802-010.0	Nipple, 1/4" Hex Steel	1	11	9.802-254.0	Hose, 1/4" Push-On	1 ft.
5	9.804.022.0	Cap, Valve with 1/4" Gauge Port	1	12	9.802-039.0	Elbow, 1/2" JIC x 3/8"	1
6	9.802-459.0	Switch, Flow, MV-60	1	13	9.803-044.0	Elbow, 3/8, Male Pipe	1
7	9.802-146.0	Swivel, 1/2" MP x 3/4" GHF w/Strainer	1	14	8.707-256.0	Pump Protector, 1/2"	1

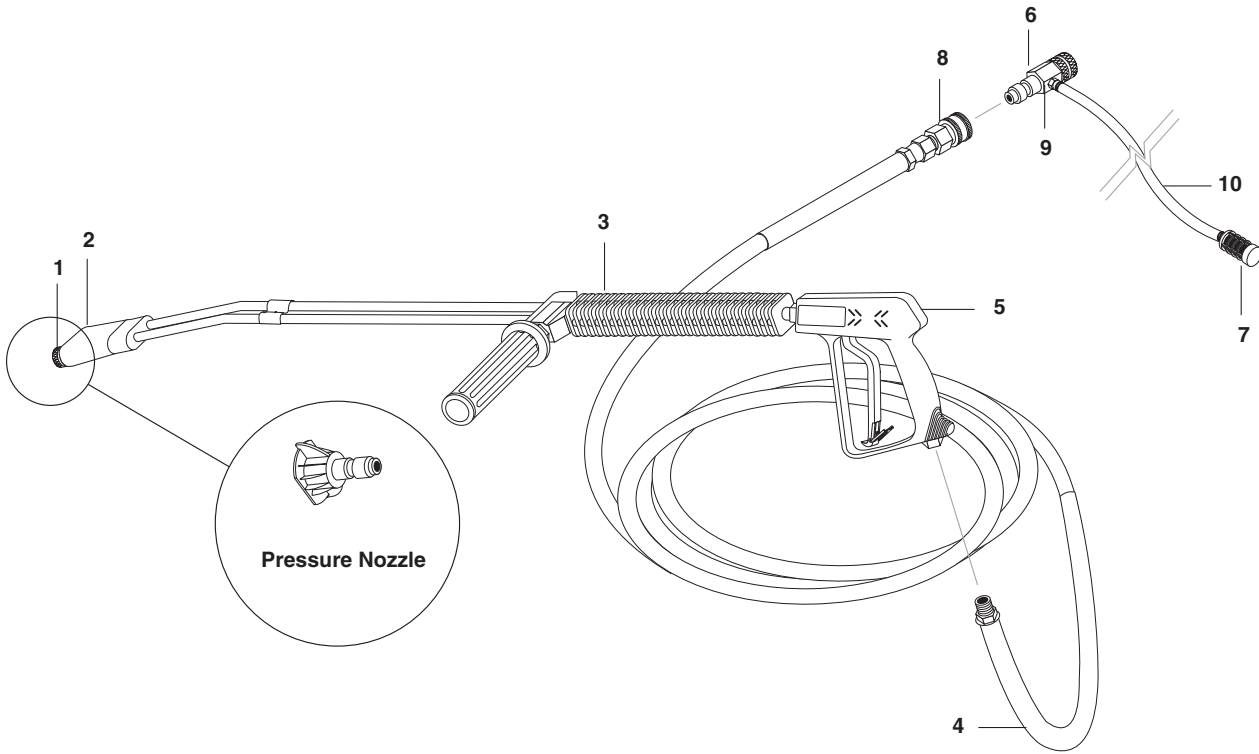
# 1.575-505.0, 506.0, 507.0, 508.0, 509.0, 510.0 STEAM OPTIONS



## 1.575-505.0, 506.0, 507.0, 508.0, 509.0, 510.0 PARTS LIST

ITEM	PART NO.	DESCRIPTION	QTY	ITEM	PART NO.	DESCRIPTION	QTY
1	9.802-143.0	Hose Barb, 1/4" Barb x 1/4" Pipe, 90°	2	8		For Unloader, Please See Specifications Pages.	
2	6.390-126.0	Clamp, Hose, .46-, .54 ST	2	9		For Pump, Please See Specifications Pages.	
3	9.802-187.0	Valve, Flow Control w/Metering	1	10	9.800-026.0	Label, Open For Steam	1
4	9.802-010.0	Nipple, 1/4" Hex Steel	1	11	9.802-254.0	Hose, 1/4" Push-On	14"
5	9.802-632.0	Cap, Valve with 1/4" Gauge Port	2	12	9.802-039.0	Elbow, 1/2" JIC x 3/8"	1
6	9.802-459.0	Switch, MV-60 Flow	1	13	9.803-044.0	Elbow, 3/8" Pipe, Male	1
7	9.802-146.0	Swivel, 1/2" MP x 3/4" GHF w/Strainer	1	14	9.802-142.0	Hose barb 1/4", Barb x 1/8" Pipe 90°	1
				15	8.707-256.0	Pump Protector, 1/2"	2

## HOSE & SPRAY GUN ASSEMBLY

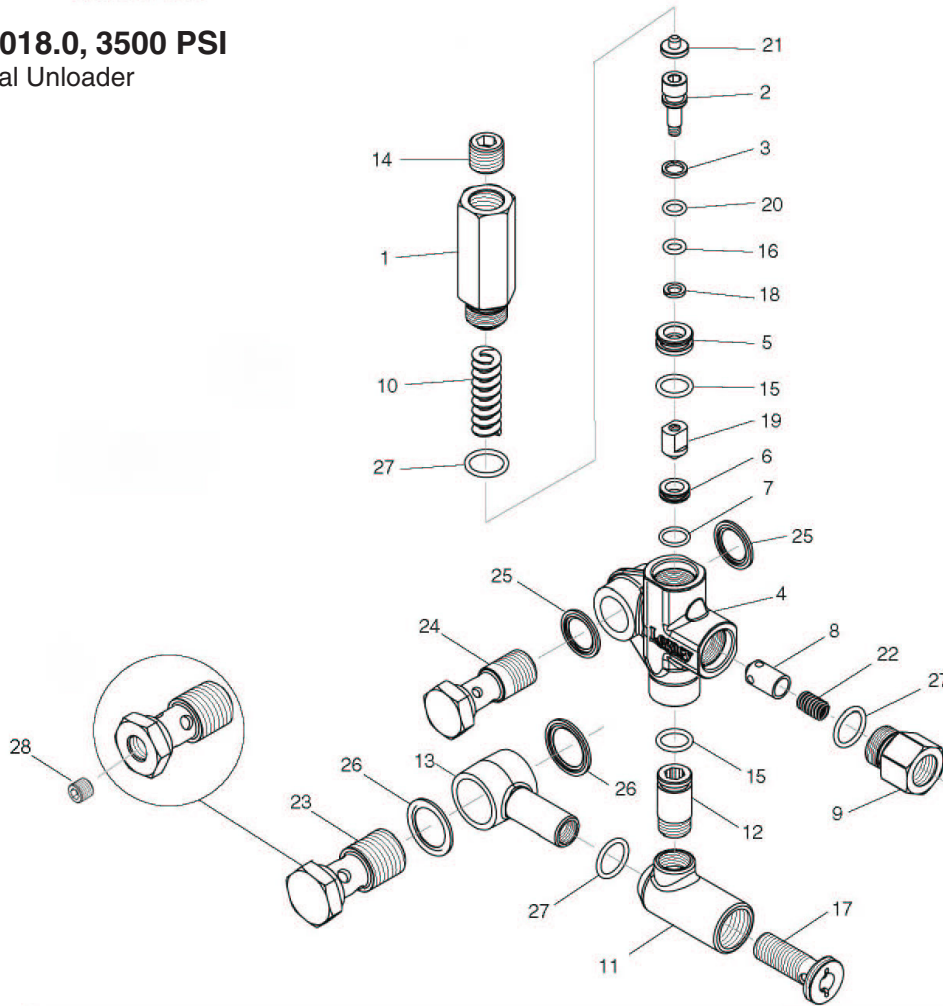


### HOSE & SPRAY GUN ASSEMBLY PARTS LIST

ITEM	PART NO.	DESCRIPTION	QTY	ITEM	PART NO.	DESCRIPTION	QTY
1	9.802-165.0	Coupler, 1/4" Male	1	7	9.802-160.0	Strainer, 1/4" Hose Barb	1
	9.802-096.0	▲ Quick Coupler O-Ring, Small	1	8	9.802-166.0	Coupler, 3/8" Female	1
2	9.802-286.0	▲ Nozzle Only, 1/8" Soap	1		9.802-100.0	▲ Quick Coupler, O-Ring, Large	1
3	9.802-222.0	Wand, Zinc, VP, w/Coupler	1	9	6.390-126.0	Clamp, Hose, .46-, .54 ST	2
4	8.739-125.0	Hose, 3/8" x 50' 1 Wire, Tuff-Flex	1	10	9.802-251.0	Tube, 1/4" x 1/2" Clear Vinyl	6 ft.
5	9.802-229.0	Spray Gun, Shut-off, AP-1000	1			▲ Not Shown	
6	9.802-225.0	Detergent Injector, Non Adjust #3 (504.0, 505.0, 506.0, 507.0, 508.0, 509.0, 510.0)	1				
	9.802-224.0	Detergent Injector, Non Adjust #2 (500.0, 501.0, 502.0, 503.0)	1				

## UU1 UNLOADER VALVE EXPLODED VIEW

**9.175-018.0, 3500 PSI**  
 Universal Unloader

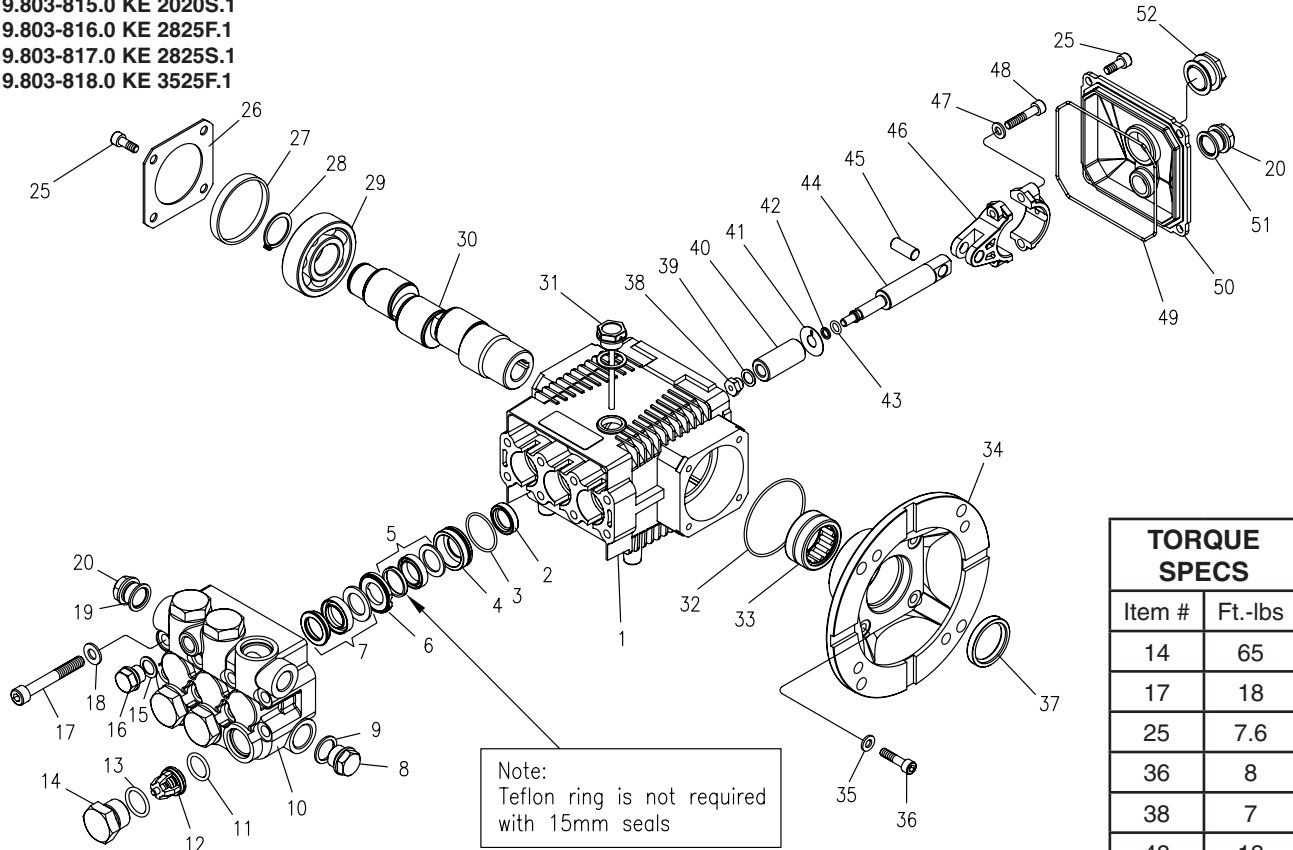


### UU1 UNLOADER VALVE EXPLODED VIEW PARTS LIST

ITEM	PART #	DESCRIPTION	KIT	QTY	ITEM	PART #	DESCRIPTION	KIT	QTY
1		Piston Housing	A	1	17	9.149-006.0	Sliding Connector Guide		1
2		Piston	C	1	18		O-Ring Back up	A	1
3	8.749-795.0	Piston O-Ring Back up		1	19		Conical Seal	C	1
4	8.749-796.0	Main Block		1	20		O-Ring 6.75 x 1.78 BN80	A	1
5	9.152-372.0	Piston Ring		1	21		Spring Seat	C	1
6		Ball Seat	C	1	22		Plunger Spring	B	1
7		O-Ring, 10.5 ID x 1.5 CS	A,C	1	23	8.762-001.0	Banjo Bolt, 1/2"		1
8		Plunger	B	1		8.762-011.0	Banjo Bolt, 1/2" - 1/4" NPT		1
9	9.152-016.0	Plunger Housing		1		8.762-000.0	Banjo Bolt 3/8"		1
10		Bypass Spring	C	1	24	8.762-000.0	Banjo Bolt 3/8"		1
11	9.149-001.0	Low Pressure Port		1	25	9.802-893.0	Seal Washer 3/8"		2
12	9.152-017.0	Sliding Connector, 30 mm		1	26	9.803-921.0	Seal Washer, 1/2" (0120, 0130)		2
	8.762-005.0	Sliding Connector, 40 mm		1		9.802-893.0	Seal Washer 3/8" (0140)		2
13	9.149-002.0	Sliding Connector H 1/2"		1	27		O-Ring 15 ID x 2 CS	A,B	3
	9.149-005.0	Sliding Connector H 3/8"		1	28	8.706-865.0	Plug, 1/4"		1
14	9.196-011.0	Plug, 5/8 - 18 UNF		1	<b>KIT A</b>	9.104-038.0	O-Ring Repair Kit		
15		O-Ring 12 ID x 2 CS	A	2	<b>KIT B</b>	9.104-039.0	Outlet Kit		
16		O-Ring 6 ID x 2 CS	A	1	<b>KIT C</b>	9-104-040.0	Stem Repair Kit		

## KE.1 SERIES PUMP EXPLODED VIEW

9.803-814.0 KE 2020F.1  
 9.803-815.0 KE 2020S.1  
 9.803-816.0 KE 2825F.1  
 9.803-817.0 KE 2825S.1  
 9.803-818.0 KE 3525F.1



TORQUE SPECS	
Item #	Ft.-lbs
14	65
17	18
25	7.6
36	8
38	7
48	13

## KE.1 SERIES PUMP EXPLODED VIEW PARTS LIST

ITEM	PART NO.	DESCRIPTION	QTY	ITEM	PART NO.	DESCRIPTION	QTY
1	9.803-938.0	Crankcase	1	16	9.803-951.0	Brass Plug G1/4	1
2*	9.804-586.0	Plunger Oil Seal	3	17	9.803-952.0	Manifold Stud Bolt	8
3*	See Kit	O-Ring Ø 1.78 x 28.30	3	18	9.802-884.0	Washer	8
4*	See Kit	Pressure Ring 15mm	3	19	9.803-198.0	Copper Washer 3/8	1
	See Kit	Pressure Ring 18mm	3	20	9.802-925.0	Brass Plug G3/8	2
5*	See Kit	U-Seal, dia 15mm	6	25	9.802-939.0	Screw	12
	See Kitw	U-Seal, dia 18mm	6	26	9.803-953.0	Bearing Cover	2
6*	See Kit	Intermediate Ring 15mm	6	27	9.803-954.0	Bearing Seal	1
	See Kit	Intermediate Ring 18mm	6	28	9.802-914.0	Snap Ring	1
7*	See Kit	U-Seal, 15mm	3	29	9.803-955.0	Ball Bearing	2
	See Kit	U-Seal, 18mm	3	30	9.804-576.0	Crankshaft (2020F)	1
8	9.802-926.0	Brass Plug G1/2	1		9.804-577.0	Crankshaft (2020S)	1
9	9.803-199.0	Copper Washer 1/2"	1		9.804-578.0	Crankshaft (2825F)	1
10	9.803-946.0	Manifold Housing	1		9.804-579.0	Crankshaft (2825S)	1
11	9.803-947.0	O-Ring Ø1.78 x 15.54	6		9.804-580.0	Crankshaft (3525F)	1
12*	See Kit	Valve Assembly	6	31	9.803-957.0	Oil Dipstick	1
13*	9.803-948.0	O-Ring Ø2.62 x 18.77	6	32	9.804-581.0	O-Ring Ø3.53 x 55.56	1
14	9.803-949.0	Valve Plug	6	33	9.804-582.0	Needle Bearing	1
15	9.803-950.0	Copper Washer 1/4	1	34	9.804-583.0	Motor Flange 56C	1
				35	9.803-210.0	Washer	4

## KE.1 SERIES PUMP PARTS LIST (CONT)

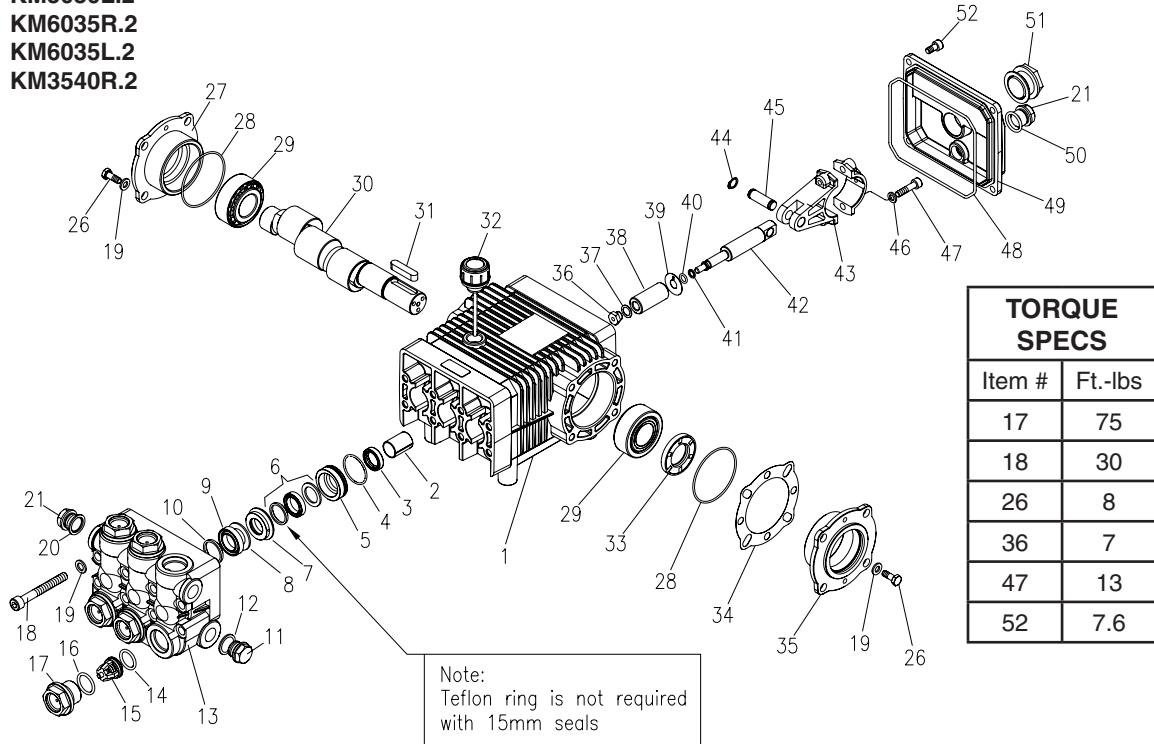
ITEM	PART NO.	DESCRIPTION	QTY
36	9.804-584.0	Flange Screw	4
37	9.804-585.0	Crankshaft Seal	1
38*	See Kit	Plunger Nut	3
39*	See Kit	Copper Spacer	3
40*	See Kit	Plunger 15mm (2020F, 2825F, 3525F)	3
	See Kit	Plunger 18mm (2020S, 2825S)	3
41*	See Kit	Copper Spacer	3
42*	See Kit	O-Ring Ø1.78 x 5.28	3
43*	See Kit	Teflon Ring	3
44	9.803-964.0	Plunger Rod	3
45	9.803-965.0	Connecting Rod Pin	3
46	9.803-966.0	Connecting Rod	3
47	9.803-218.0	Spring Washer	6
48	8.933-020.0	Connecting Rod Screw	6
49	9.803-969.0	O-Ring Ø2.62 x 107.62	1
50	9.803-968.0	Crankcase Cover	1
51	9.803-197.0	Gasket	1
52	9.803-202.0	Sight Glass	1

REPAIR KIT NUMBER	8.725-354.0	8.725-356.0	8.725-355.0	8.725-357.0	9.803-934.0	9.803-935.0
KIT DESCRIPTION	Plunger Seal 15mm 2020F.1 2825F.1 3525F.1	Plunger Seal 18mm 2020S.1 2825S.1	Complete Seal Packing 15mm 2020F.1 2825F.1 3525F.1	Complete Seal Packing 18 mm 2020S.1 2825S.1	Plunger 15mm 2020F.1 2825F.1 3525F.1	Plunger 18mm 2020S.1 2825S.1
ITEM NUMBERS INCLUDED	3, 5, 7	3, 5, 7	3, 4, 5, 6, 7	3, 4, 5, 6, 7	38, 39, 40, 41, 42, 43	38, 39, 40, 41, 42, 43
NO. OF CYLINDERS KIT WILL SERVICE	3	1	1	1	1	1

REPAIR KIT NUMBER	9.803-936.0	9.803-937.0
KIT DESCRIPTION	Complete Valve	Plunger Oil Seals
ITEM NUMBERS INCLUDED	11, 12, 13	2
NO. OF CYLINDERS KIT WILL SERVICE	6	3

## KM.2 PUMP EXPLODED VIEW

- 9.803-405.0 KM4030R.2
- 9.803-406.0 KM4030L.2
- 9.802-343.0 KM4035R.2
- 9.803-407.0 KM4035L.2
- 9.802-342.0 KM5030R.2
- 9.803-408.0 KM5030L.2
- 8.749-940.0 KM6035R.2
- 8.749-941.0 KM6035L.2
- 8.904-689.0 KM3540R.2



TORQUE SPECS	
Item #	Ft.-lbs
17	75
18	30
26	8
36	7
47	13
52	7.6

Note:  
Teflon ring is not required  
with 15mm seals

## KM.2 PUMP EXPLODED VIEW PARTS LIST

ITEM	PART NO.	DESCRIPTION	QTY	ITEM	PART NO.	DESCRIPTION	QTY
1	8.717-130.0	Crankcase	1	26	9.802-944.0	Screw, Hex 8mm x 18mm	8
2	9.803-196.0	Plunger Guide	3	27	8.717-210.0	Closed Bearing Housing	1
3*	See Kits	Plunger Oil Seal	3	28	9.803-192.0	O-Ring Ø1.78 x 60.05	2
4*	See Kits	O-Ring Ø1.78 x 31.47	3	29	8.933-011.0	Tapered Roller Bearing	2
5*	See Kits	Pressure Ring	3	30	9.803-146.0	Crankshaft (5030, 3540)	1
6*	See Kits	U-Seal	3		9.803-147.0	Crankshaft (4030, 4035, 6035)	1
7*	See Kits	Intermediate Ring	3	31	9.803-167.0	Crankshaft Key	1
8*	See Kits	Back-up Ring	3	32	9.802-921.0	Oil Dip Stick	1
9*	See Kits	U-Seal	3	33	9.803-140.0	Crankshaft Seal	1
10*	See Kits	Support Ring	3	34	9.803-178.0	Shim	2
13	9.802-932.0	Manifold Head	1	35	8.717-209.0	Bearing Housing	1
14*	See Kits	O-Ring Ø2.62 x 17.13	6	36*	See Kits	Plunger Bolt	3
15*	See Kits	Valve Assembly	6	37*	See Kits	Copper Spacer	3
16*	See Kits	O-Ring Ø2.62 x 20.29	6	38*	See Kits	O-Ring Ø1.78 x 7.66	3
17	9.802-928.0	Valve Plug	6	39*	See Kits	Teflon Ring	3
18	9.802-938.0	Manifold Stud Bolt	8	40*	See Kits	Plunger (4035, 6035)	3
19	9.802-884.0	Washer	16		See Kits	Plunger (4030, 5030)	3
20	9.803-198.0	Copper Washer 3/8	1		See Kits	Plunger (3540)	3
21	9.802-925.0	Brass Plug 3/8	1	41*	See Kits	Copper Spacer	3

## KM.2 PUMP EXPLODED VIEW PARTS LIST (CONT)

ITEM	PART NO.	DESCRIPTION	QTY
42	9.803-144.0	Plunger Rod	3
43	9.803-158.0	Connecting Rod	3
44	9.802-913.0	Snap Ring	6
45	9.802-916.0	Connecting Rod Pin	3
46	9.803-218.0	Spring Washer	6
47	9.803-238.0	Connecting Rod Screw	6
48	8.933-016.0	O-Ring, Ø2.62 x 126.67	1
49	9.803-165.0	Crankcase Cover	1
50	9.803-197.0	O-Ring, Ø1.78 x 14	1
51	9.803-202.0	Sight Glass 3/4	1
52	9.802-939.0	Cover Screw	5

\* Available in kit (See below)

REPAIR KIT NO.	8.725-360.0	8.725-362.0	8.725-358.0	8.725-361.0	8.725-363.0	8.725-359.0
KIT DESCRIPTION	Plunger Seal 4035 6035 18mm	Plunger Seal 4030 5030 20mm	Plunger Seal 3540 15mm	Complete Seal Packing 4035 6035 18mm	Complete Seal Packing 4030 5030 20mm	Complete Seal Packing 3540 15mm
ITEM NUMBERS INCLUDED	4, 6, 8, 9, 10	4, 6, 8, 9, 10	4, 6, 8, 9, 10	4, 5, 6, 7, 8, 9, 10	4, 5, 6, 7, 8, 9, 10	4, 5, 6, 7, 8, 9, 10
NO. OF CYLINDERS KIT WILL SERVICE	3	3	3	1	1	1

REPAIR KIT NO.	9.802-629.0	9.802-620.0	8.933-023.0	9.802-603.0	9.802-609.0
KIT DESCRIPTION	Plunger 4035 6035 18mm	Plunger 4030 5030 20mm	Plunger 3540 15mm	Complete Valve	Plunger Oil Seals
ITEM NUMBERS INCLUDED	36, 37, 38, 39, 40, 41	36, 37, 38, 39, 40, 41	36, 37, 38, 39, 40, 41	14, 15, 16	3
NO. OF CYLINDERS KIT WILL SERVICE	1	1	1	6	3

## SPECIFICATIONS

Machine Part #	PUMP					MOTOR					
	Pump Model	Pump Parts#	Unloader Replacement	Unloader Production	Pulley	Pulley Part #	Motor Size	Motor Voltage	Motor Part #	Pulley	Pulley Part #
1.575-500.0	KE2020F	9.803-814.0	9.175-018.0	9.803-899.0	NA	NA	1.5 HP	120v/1ph/60Hz	9.802-338.0	NA	NA
1.575-501.0	KE2020F	9.803-814.0	9.175-018.0	9.175-016.0	NA	NA	2 HP	120v/1ph/60Hz	9.802-339.0	NA	NA
1.575-502.0	KE-2825F	9.803-816.0	9.175-018.0	9.175-016.0	NA	NA	2 HP	120v/1ph/60Hz	9.802-339.0	NA	NA
1.575-503.0	KE-2825F	9.803-816.0	9.175-018.0	9.175-016.0	NA	NA	3 HP	230v/1ph/60Hz	9.802-340.0	NA	NA
1.575-504.0	KE-3525F	9.803-818.0	9.175-018.0	9.175-016.0	NA	NA	5 HP	230v/1ph/60Hz	9.802-341.0	NA	NA
1.575-505.0	KM-4035	9.802-343.0	9.175-018.0	9.175-016.0	2AK74H	9.802-374.0	6 HP	230v/1ph/60Hz	9.802-336.0	2AK54H	9.802-372.0
1.575-506.0	KM-4035	9.802-343.0	9.175-018.0	9.175-016.0	2AK74H	9.802-374.0	6 HP	230v/3ph/60Hz	9.802-329.0	2AK54H	9.802-372.0
1.575-507.0	KM-4035	9.802-343.0	9.175-018.0	9.175-016.0	2AK74H	9.802-374.0	6 HP	460v/3ph/60Hz	9.802-329.0	2AK54H	9.802-372.0
1.575-508.0	KM-4035	9.802-343.0	9.175-018.0	9.175-016.0	2BK80H	9.802-389.0	7.5 HP	230v/1ph/60Hz	8.715-097.0	2BK52H	9.802-386.0
1.575-509.0	KM-4035	9.802-343.0	9.175-018.0	9.175-016.0	2BK80H	9.802-389.0	7.5 HP	230v/3ph/60Hz	8.715-105.0	2BK52H	9.802-386.0
1.575-510.0	KM-4035	9.802-343.0	9.175-018.0	9.175-016.0	2BK80H	9.802-389.0	7.5 HP	460v/3ph/60Hz	8.715-105.0	2BK52H	9.802-386.0

# SPECIFICATIONS

		MOTOR				CONTROLS			
Model		Bushing	Belt	Belt	Motor		Stepdown	Primary	Second
Part #	Bushing	Part #	Size	Part #	Contactora	Overload	Transformer	Fuse Part#	Fuse Part#
500.0	NA	NA	NA	NA	NA	NA	NA	NA	NA
501.0	NA	NA	NA	NA	NA	NA	NA	NA	NA
502.0	NA	NA	NA	NA	NA	NA	NA	NA	NA
503.0	NA	NA	NA	NA	NA	NA	9.802-551.0	9.802-461.0	9.802-463.0
504.0	NA	NA	NA	NA	NA	NA	9.802-551.0	9.802-461.0	9.802-463.0
505.0	Hx1-1/8"	9.802-400.0	AX 34(2)	9.802-407.0	8.724-281.0	NA	9.802-551.0	9.802-461.0	9.802-463.0
506.0	Hx1-1/8"	9.802-400.0	AX 34(2)	9.802-407.0	8.724-268.0	8.724-304.0	9.802-551.0	9.802-461.0	9.802-463.0
507.0	Hx1-1/8"	9.802-400.0	AX 34(2)	9.802-407.0	8.724-268.0	8.724-312.0	9.802-550.0	9.802-460.0	9.802-465.0
508.0	Hx1-3/8"	9.802-401.0	BX 36(2)	9.802-416.0	8.724-281.0	8.724-306.0	9.802-551.0	9.802-461.0	9.802-463.0
509.0	Hx1-3/8"	9.802-401.0	BX 36(2)	9.802-416.0	8.724-272.0	8.724-305.0	9.802-551.0	9.802-461.0	9.802-463.0
510.0	Hx1-3/8"	9.802-401.0	BX 36(2)	9.802-416.0	8.724-268.0	8.724-312.0	9.802-550.0	9.802-460.0	9.802-465.0

## BURNER SPECIFICATIONS

Model #	Burner Assy #	Fuel Nozzle	Transformer	Burner Motor	Fuel Pump/Solenoid/Cord	Fuel Solenoid Coil	Electrode
1.575-500.0	9.802-558.0	9.802-583.0	9.802-647.0	9.802-642.0	9.802-645.0	9.802-640.0	9.802-570.0
1.575-501.0	9.802-555.0	9.802-583.0	9.802-647.0	9.802-642.0	9.802-645.0	9.802-640.0	9.802-570.0
1.575-502.0	9.802-558.0	9.802-584.0	9.802-647.0	9.802-642.0	9.802-645.0	9.802-640.0	9.802-670.0
1.575-503.0	9.802-561.0	9.802-584.0	9.802-661.0	9.802-635.0	9.802-645.0	9.802-640.0	9.802-670.0
1.575-504.0	9.802-561.0	8.717-272.0	9.802-661.0	9.802-635.0	9.802-645.0	9.802-640.0	9.802-670.0
1.575-505.0	9.802-561.0	8.717-272.0	9.802-661.0	9.802-635.0	9.802-645.0	9.802-640.0	9.802-670.0
1.575-506.0	9.802-561.0	8.717-272.0	9.802-661.0	9.802-635.0	9.802-645.0	9.802-640.0	9.802-670.0
1.575-507.0	9.802-557.0	8.717-272.0	9.802-647.0	9.802-642.0	9.802-645.0	9.802-640.0	9.802-670.0
1.575-508.0	9.802-561.0	8.717-272.0	9.802-661.0	9.802-635.0	9.802-645.0	9.802-640.0	9.802-670.0
1.575-509.0	9.802-561.0	8.717-272.0	9.802-661.0	9.802-635.0	9.802-645.0	9.802-640.0	9.802-670.0
1.575-510.0	9.802-557.00	8.717-272.0	9.802-647.0	9.802-642.0	9.802-645.0	9.802-640.0	9.802-670.0